

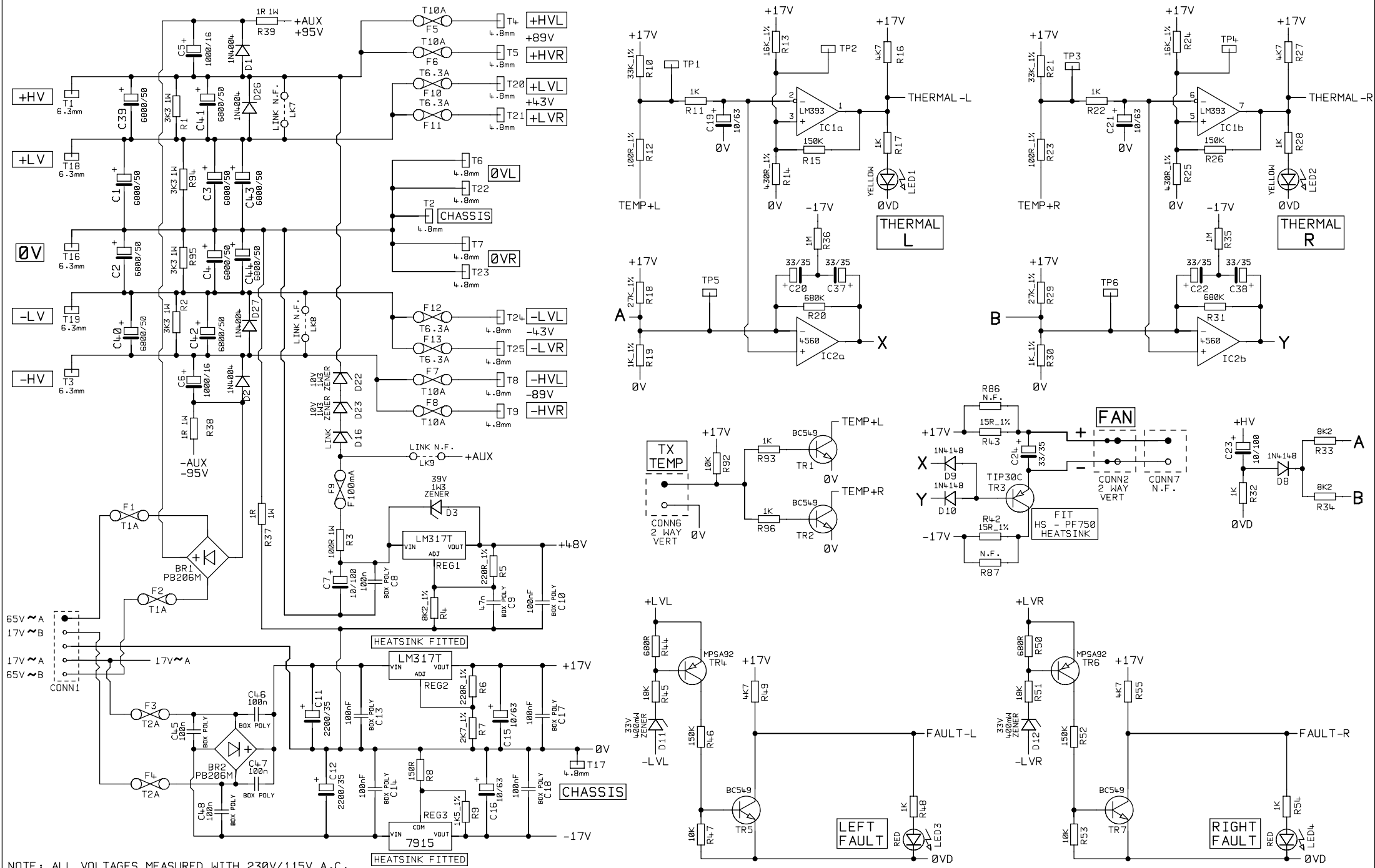
LINK OPTIONS

FUNCTION	FIT LINK	REMOVE LINK	FACTORY FITTED
+4.8 VOLTS	LK4		X
REV + A1 POST FADER	LK1		✓
REV + A1 PRE FADER	LK2	LK1	X
A2 + FB POST FADER	LK5	LK6	X
A2 + FB PRE FADER	LK6		✓
PRE FADE POST SOURCE EQ	LK7		✓
PRE FADE PRE SOURCE EQ	LK8	LK7	X

NOTE : COMPONENTS MARKED * = FITTED ON HORIZON 1208 / 1216 ONLY

= FIT COMPONENT WITH BODY 3MM OFF BOARD

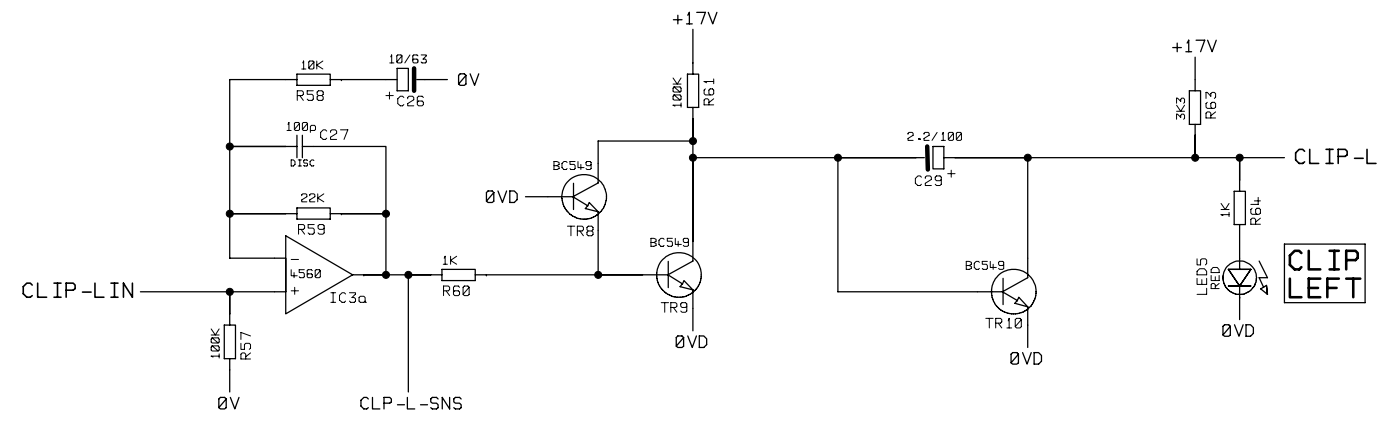
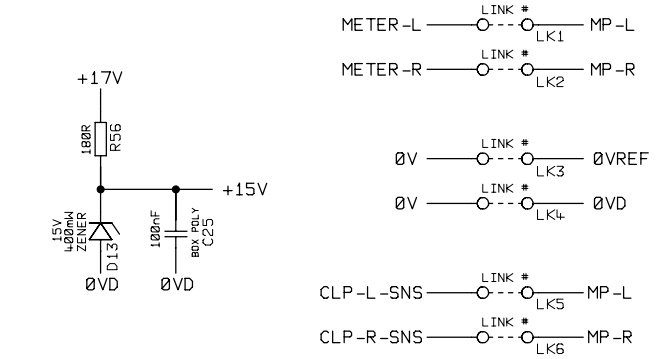
STUDIOMASTER DIAMOND LTD				TITLE		STEREO INPUT CIRCUIT		FILE NAME	
PRODUCT				POWERHOUSE VISION / HORIZON		PART 1 OF 1		R1C6-3.DGM	
VERSIONS				708	712	1208	1216	ISSUE No	
				DRN BY		P.A.		DATE	
						22-07-97		R1C6-3	



NOTE: ALL VOLTAGES MEASURED WITH 230V/115V A.C.

REV A - R14 & R25 CHANGED FROM 390R_1% TO 430R_1%
 R13 & R24 CHANGED FROM 15K_1% TO 16K_1%

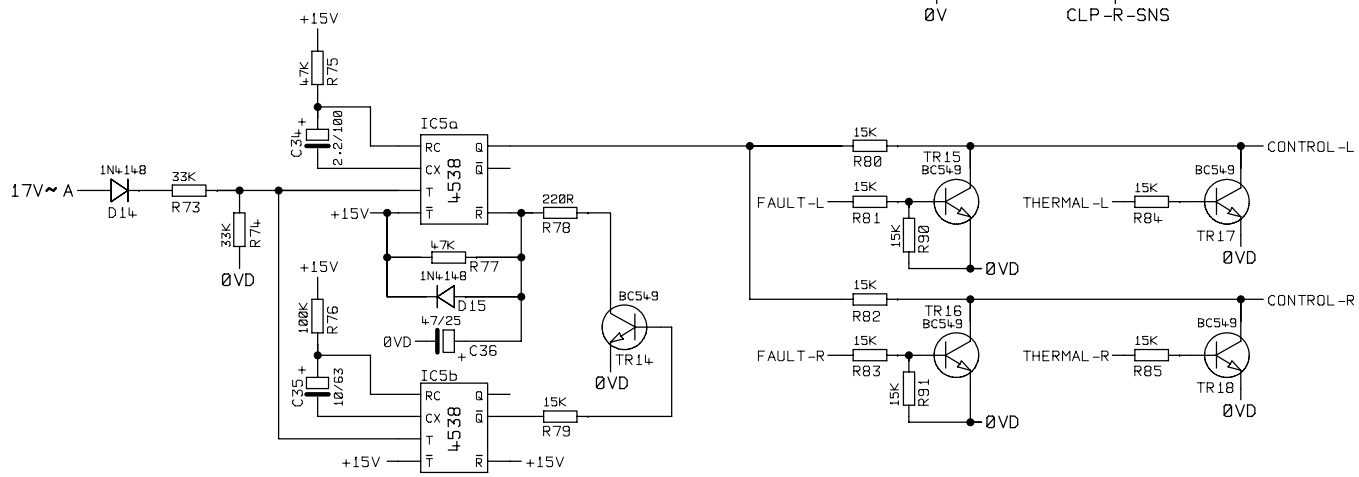
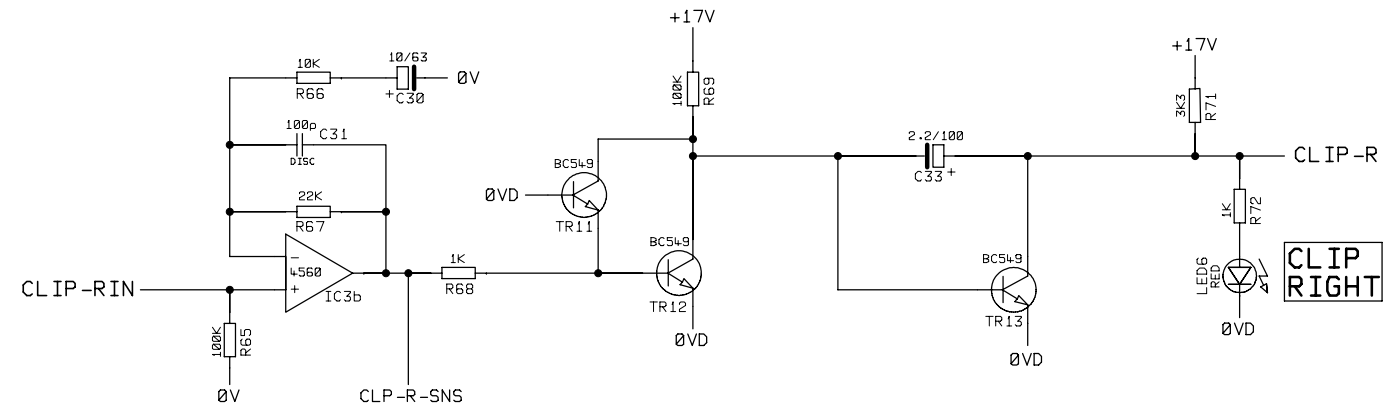
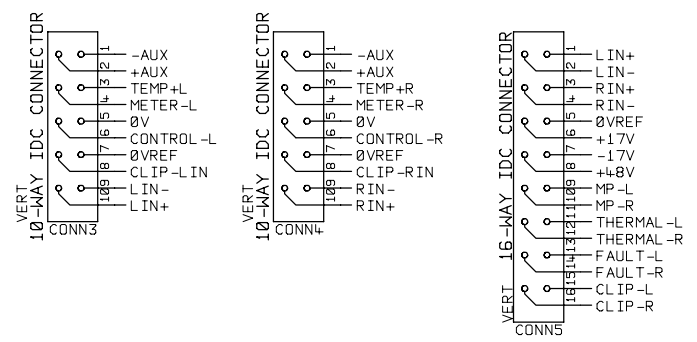
STUDIOMASTER DIAMOND LTD		TITLE	AMPLIFIER PSU CIRCUIT			FILE NAME	R2C1A-4.DGM
PRODUCT	HORIZON/1200D/1500E	PART 1 OF 2				ISSUE No	R2C1A-4
VERSIONS	ALL	DRN BY	P.A.	DATE	22-09-99	REV A	



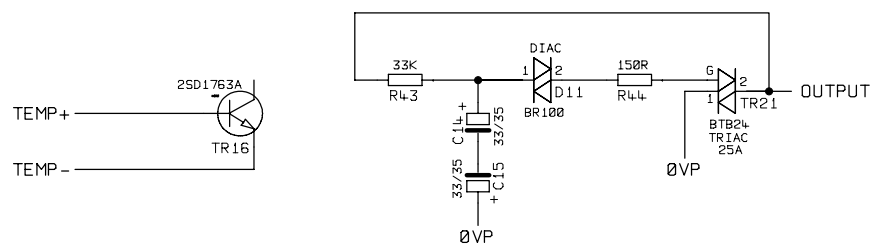
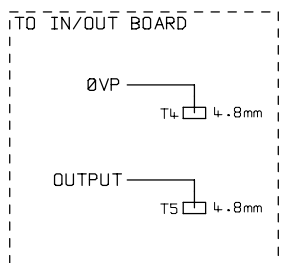
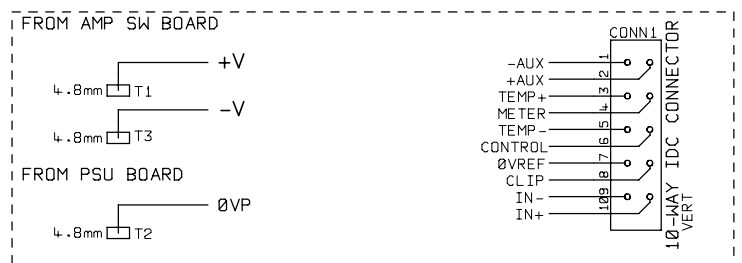
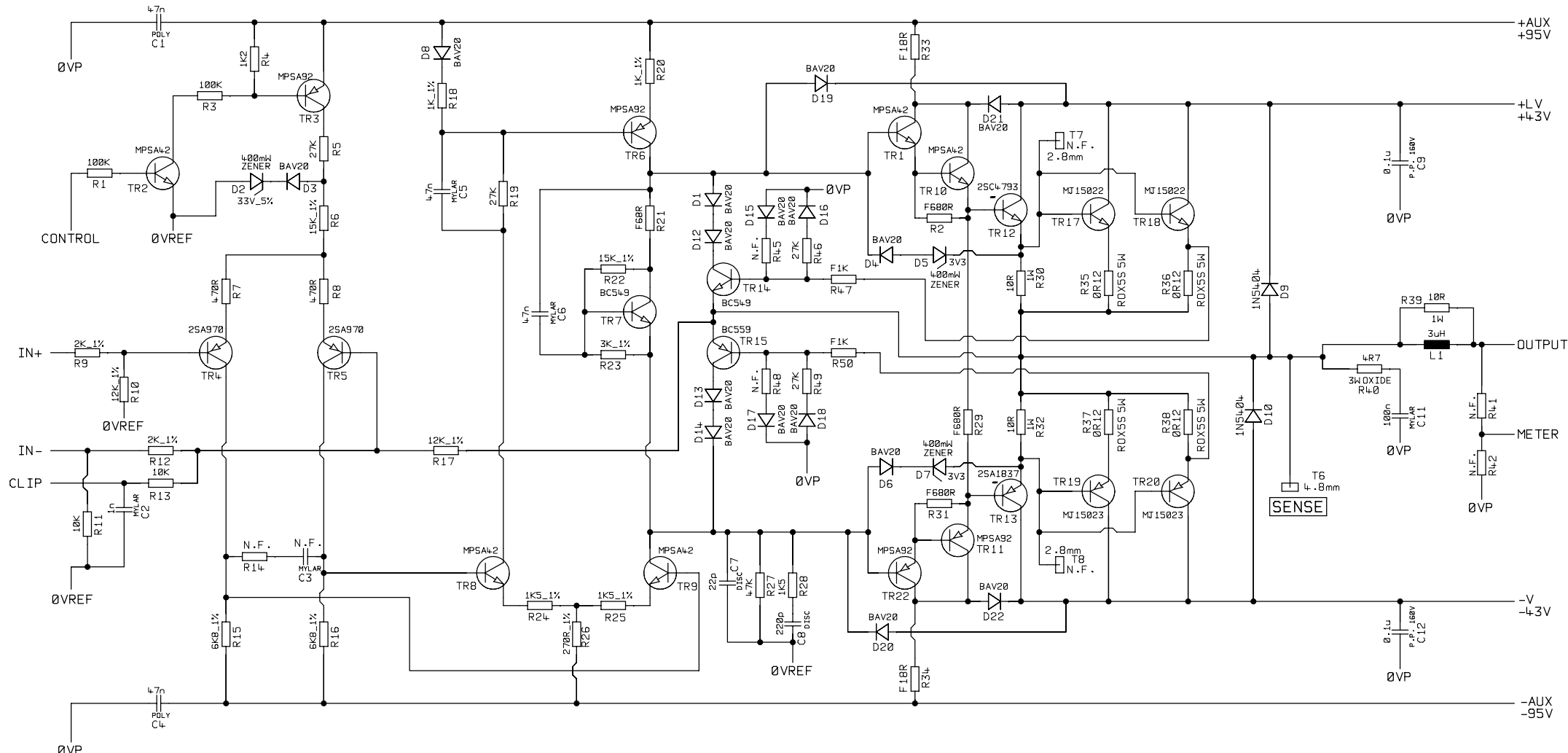
TO LEFT AMP

TO RIGHT AMP

TO IN-OUT BOARD



STUDIOMASTER DIAMOND LTD		TITLE	AMPLIFIER PSU CIRCUIT		FILE NAME	R2C1B-4.DGM	
PRODUCT	HORIZON/1200D/1500E	PART 2 OF 2			ISSUE No	R2C1B-4	
VERSIONS	ALL	DRN BY	P.A.	DATE	22-09-99	REV A	

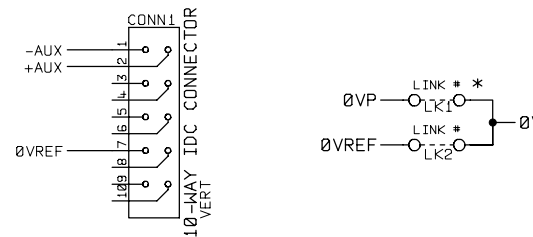
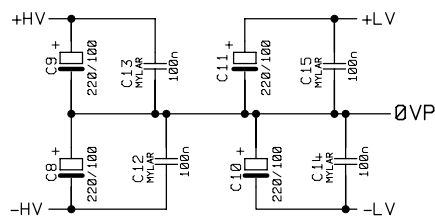
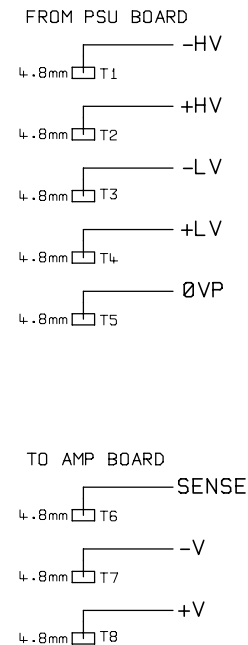
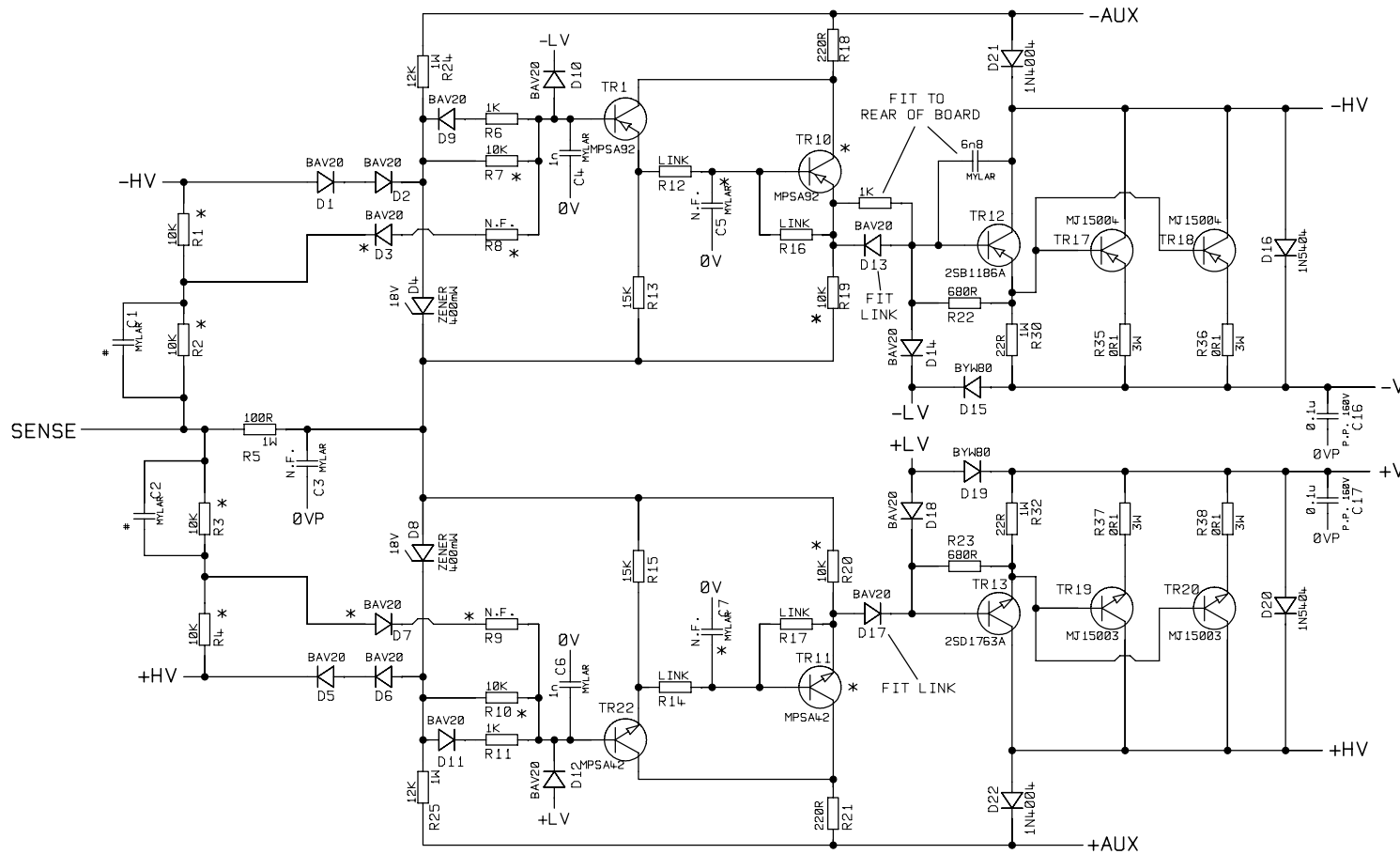


NOTE: VOLTAGES MEASURED AT 230V A.C. SUPPLY

REV1 = R4.5, R4.8 39k 5% REMOVED.
 R4.7, R50 CHANGED FROM 220R 5% TO 220R 5% FUSIBLE

REV2 = 1500E ADDED TO RANGE, R4.6&R4.9 CHANGED FROM 3K3_1% TO 27K
 R4.7&R50 CHANGED FROM F220R TO F1K (FUSIBLE)
 R35, R36, R37, R38 CHANGED FROM 0R15 ROX55 TO 0R12 ROX55

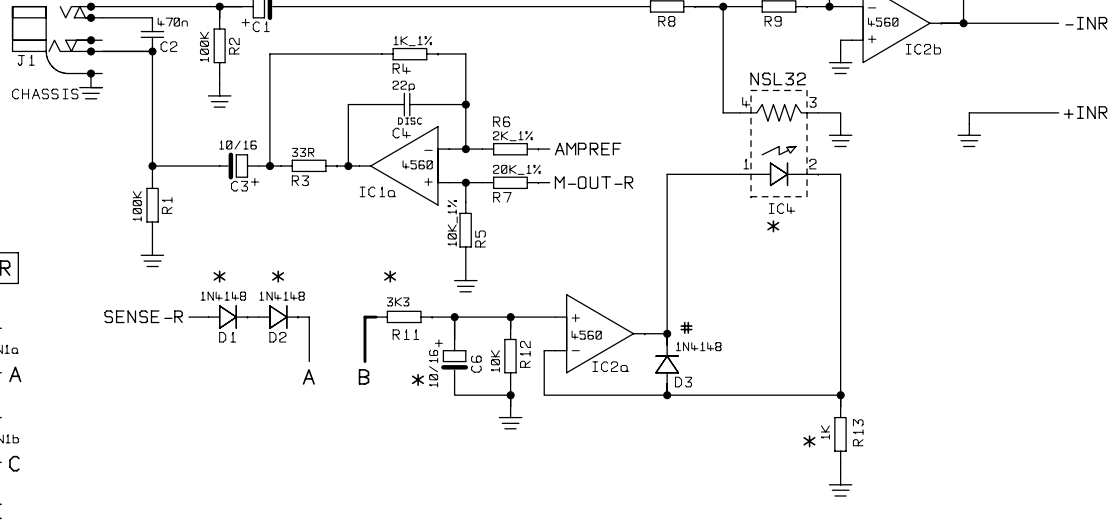
STUDIOMASTER DIAMOND LTD		TITLE		AMPLIFIER AMP CIRCUIT		FILE NAME	
PRODUCT		1200D 1500E PHH		PART 1 OF 1		R2C5-4.DGM	
VERSIONS		ALL MODELS		DRN BY		P.A. DATE 06-09-99	
						ISSUE No	
						R2C5-4	
						REV2	



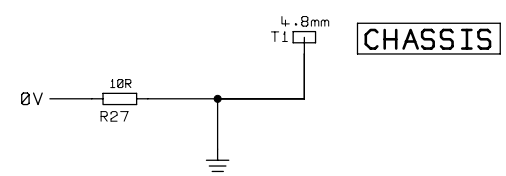
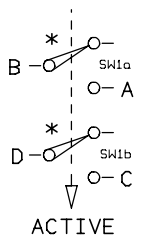
* = NOT FITTED COMPONENTS

STUDIOMASTER DIAMOND LTD				TITLE	AMP SWITCHING CIRCUIT			FILE NAME	R2C13-1.DGM
PRODUCT	PH HORIZON 1200D			PART 1 OF 1				ISSUE No	R2C13-1
VERSIONS	1208	1216	1500E	DRN BY	P.A.	DATE	03-07-97	REV1	

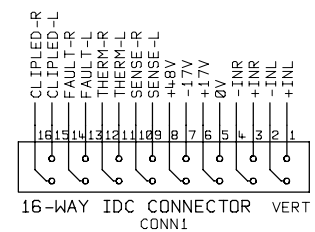
RIGHT INSERT



LIMITER

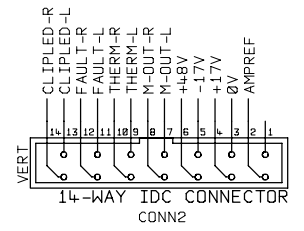
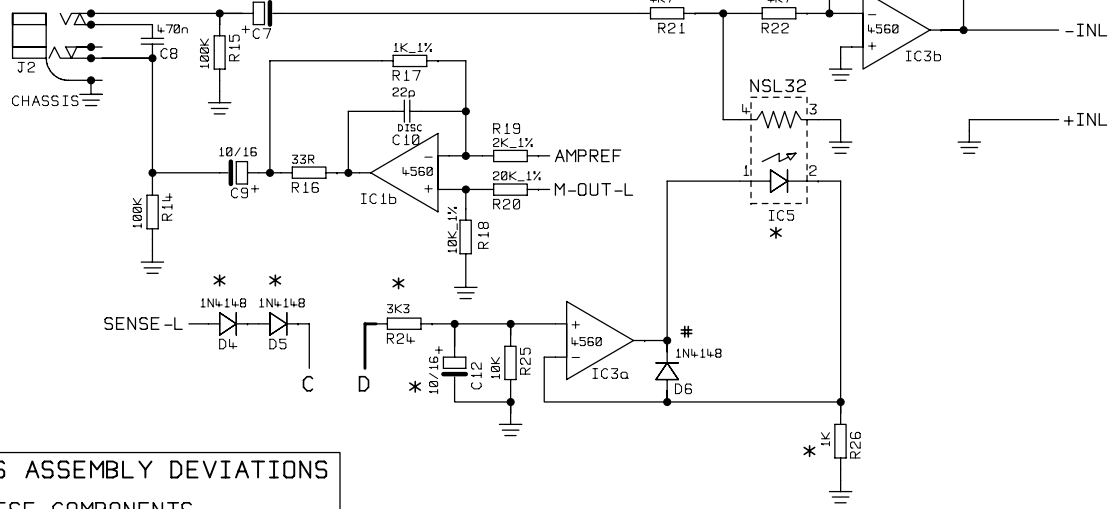


CHASSIS

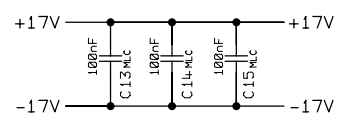


FROM PSU PCB

LEFT INSERT



TO MIXER



POWERHOUSE FOCUS ASSEMBLY DEVIATIONS
 * = DO NOT FIT THESE COMPONENTS
 # = D3 & D6 FIT LINK IN THESE POSITIONS

NOTE :

FOCUS / VISION 700		HORIZON 1200	
R10 R23	51K	68K	

STUDIOMASTER DIAMOND LTD

TITLE INSERT PCB CIRCUIT

FILE NAME R8C3-2.DGM

PRODUCT POWERHOUSE

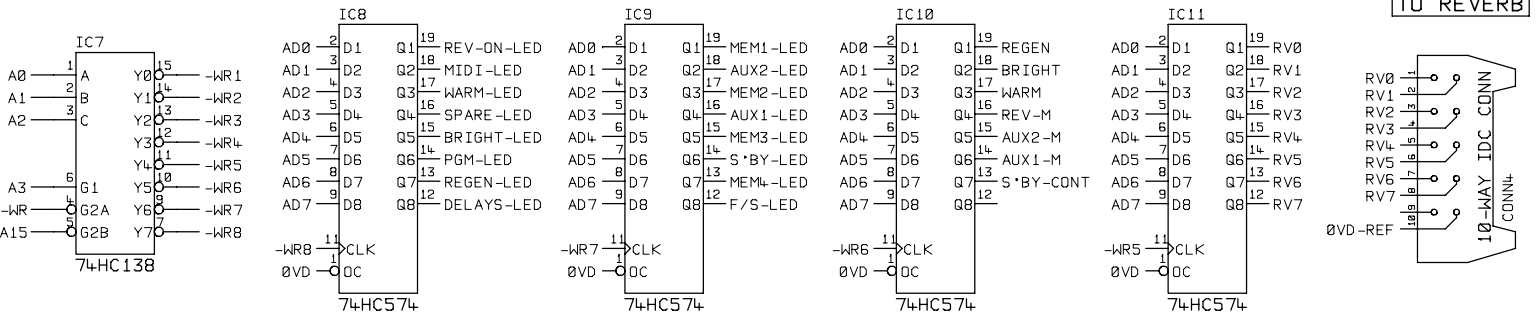
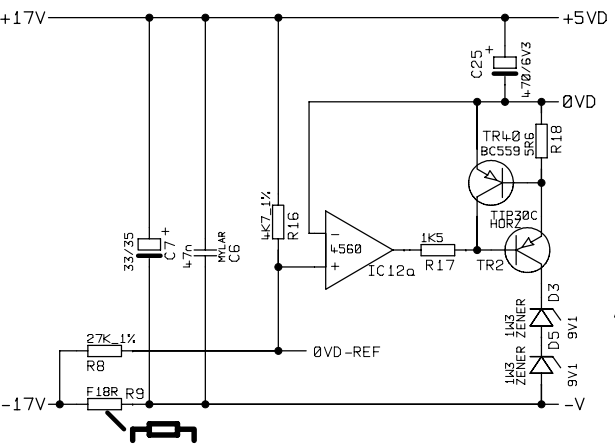
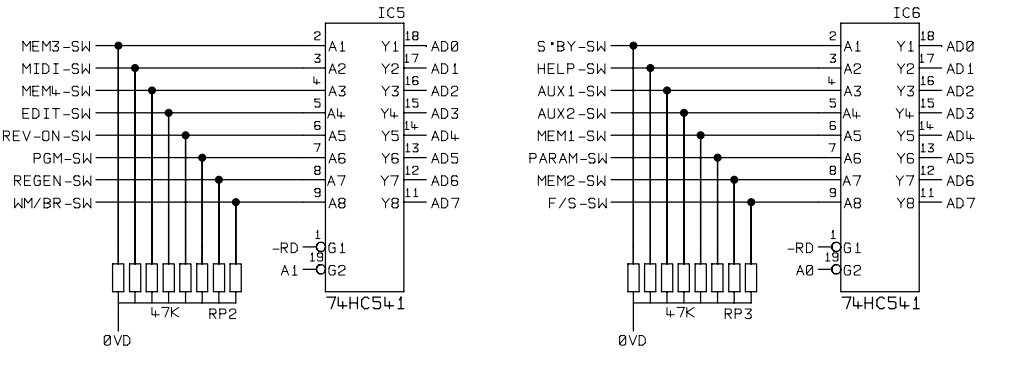
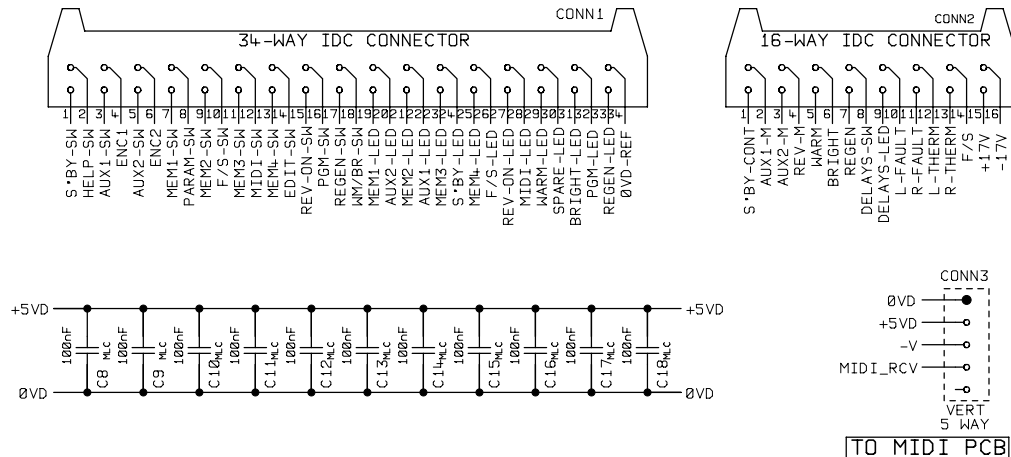
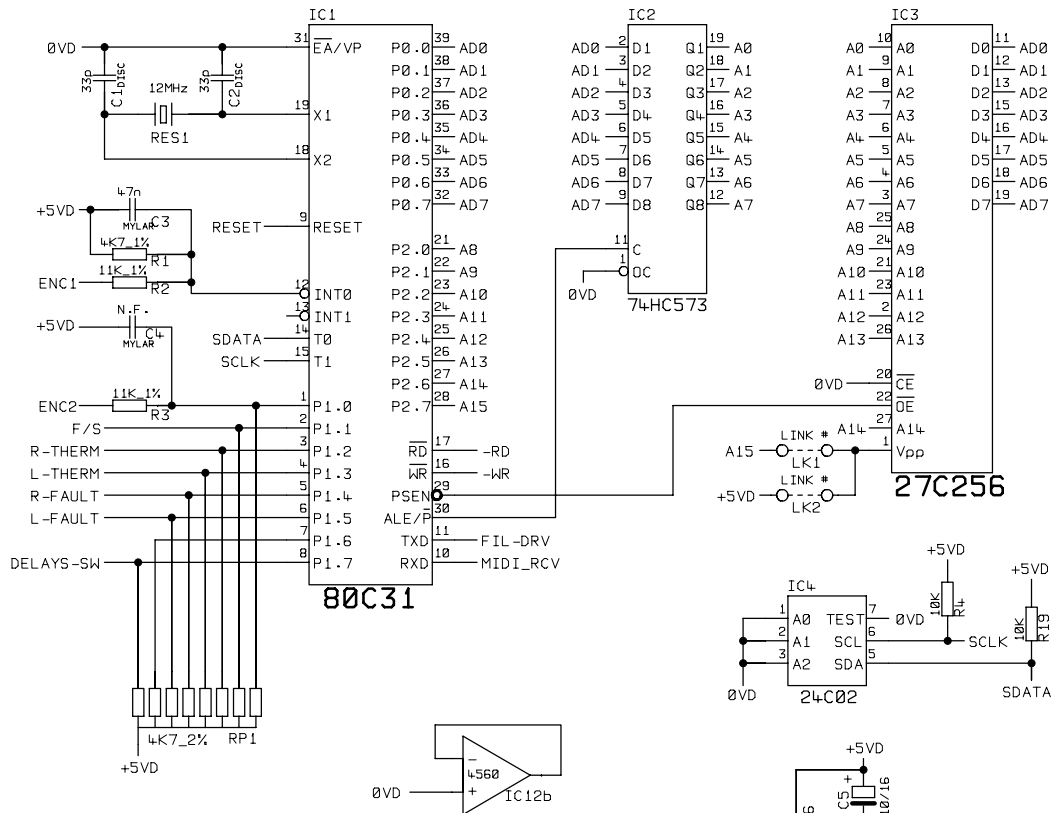
PART 1 OF 1

ISSUE No

VERSIONS FOCUS/VISION700 712/HORIZON1200 1216

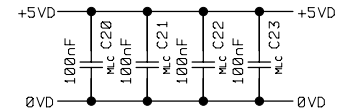
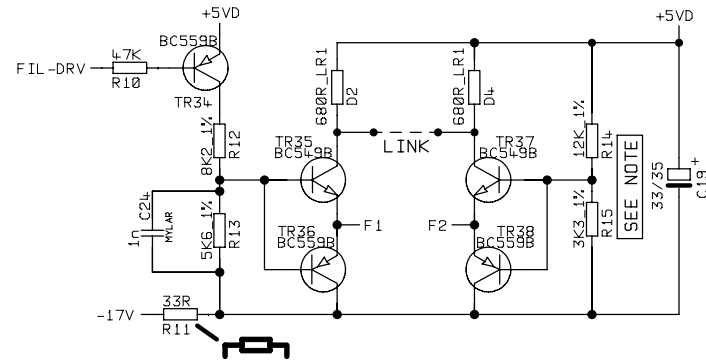
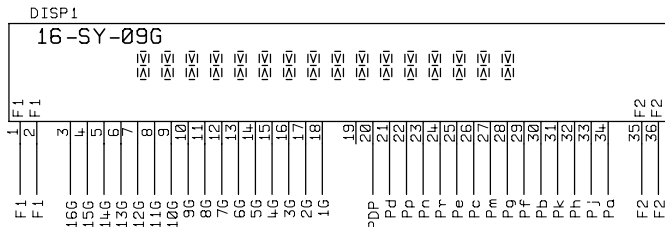
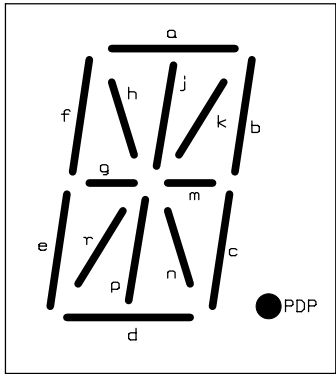
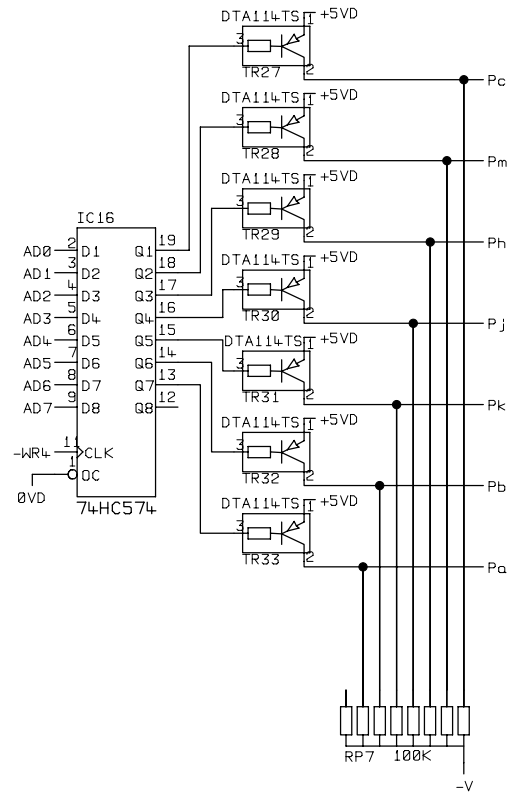
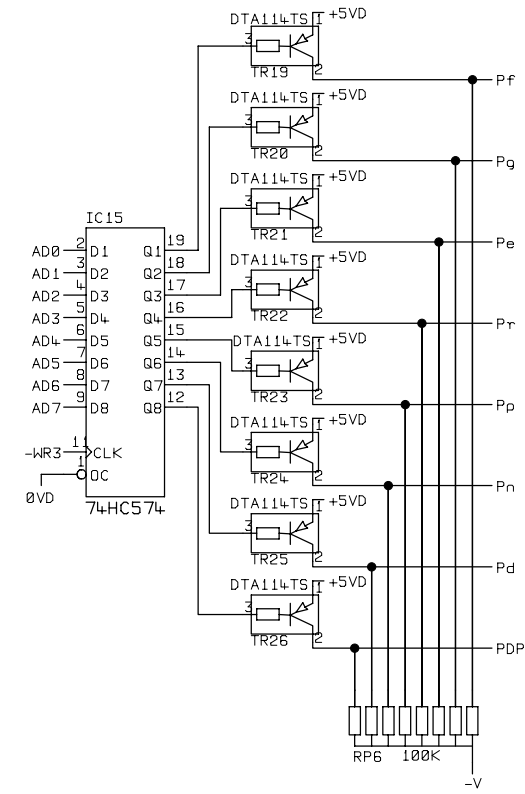
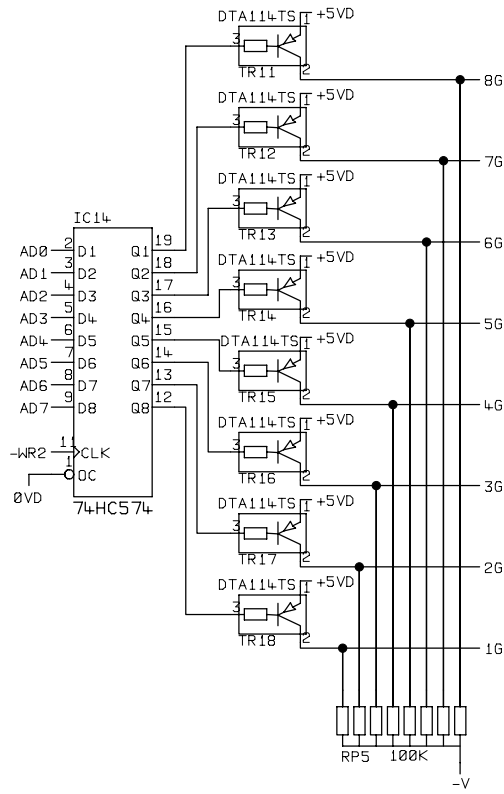
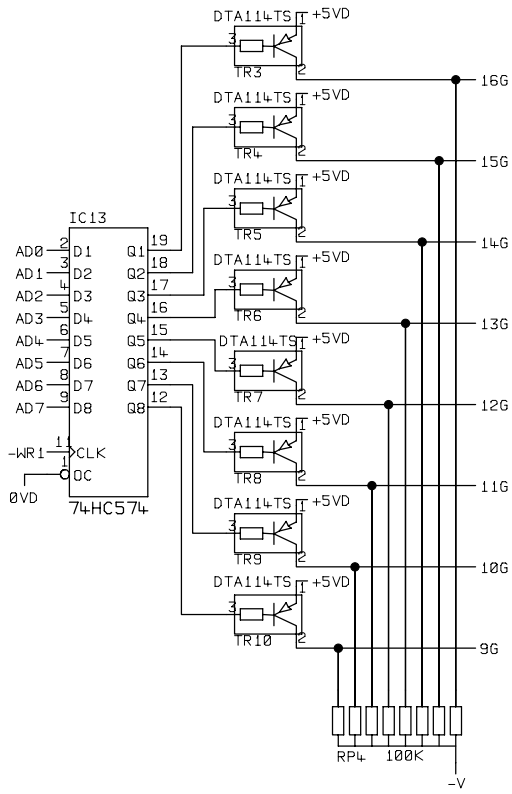
DRN BY P.A. DATE 12-06-98

R8C3-2



REV A = SEE R8C7B-2 FOR DETAILS		STUDIOMASTER DIAMOND LTD		TITLE DISPLAY PROCESSOR PCB		FILE NAME R8C7A-2.DGM	
PRODUCT POWERHOUSE VISION / HORIZON		PART 1 OF 2		ISSUE No		R8C7A-2	
VERSIONS 708 712 1208 1216		DRN BY P.A.		DATE 14-05-99		REV A	

= FIT COMPONENT WITH BODY 3MM OFF BOARD

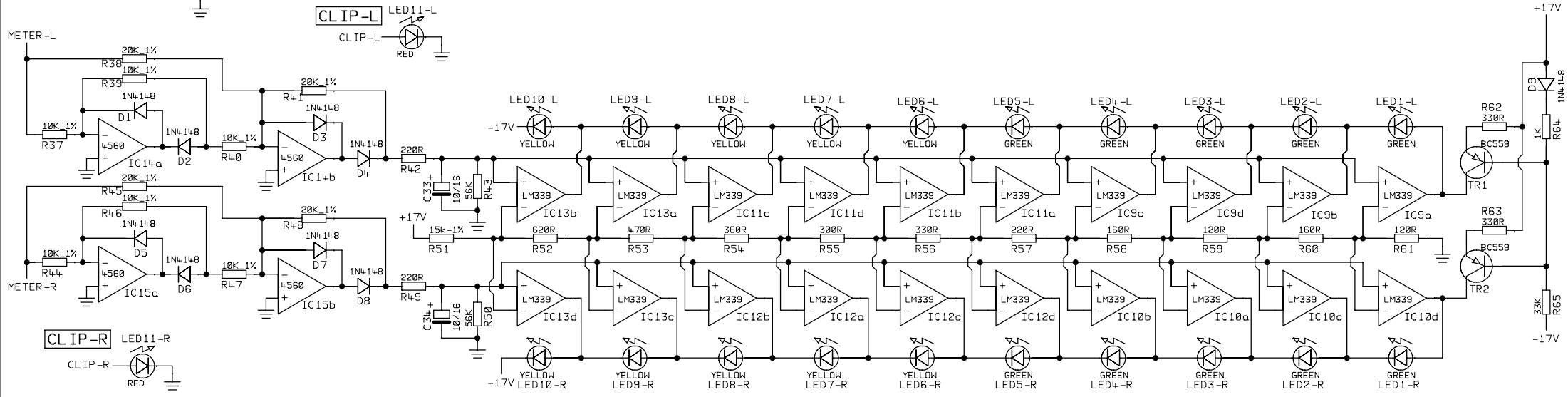
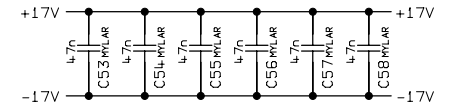
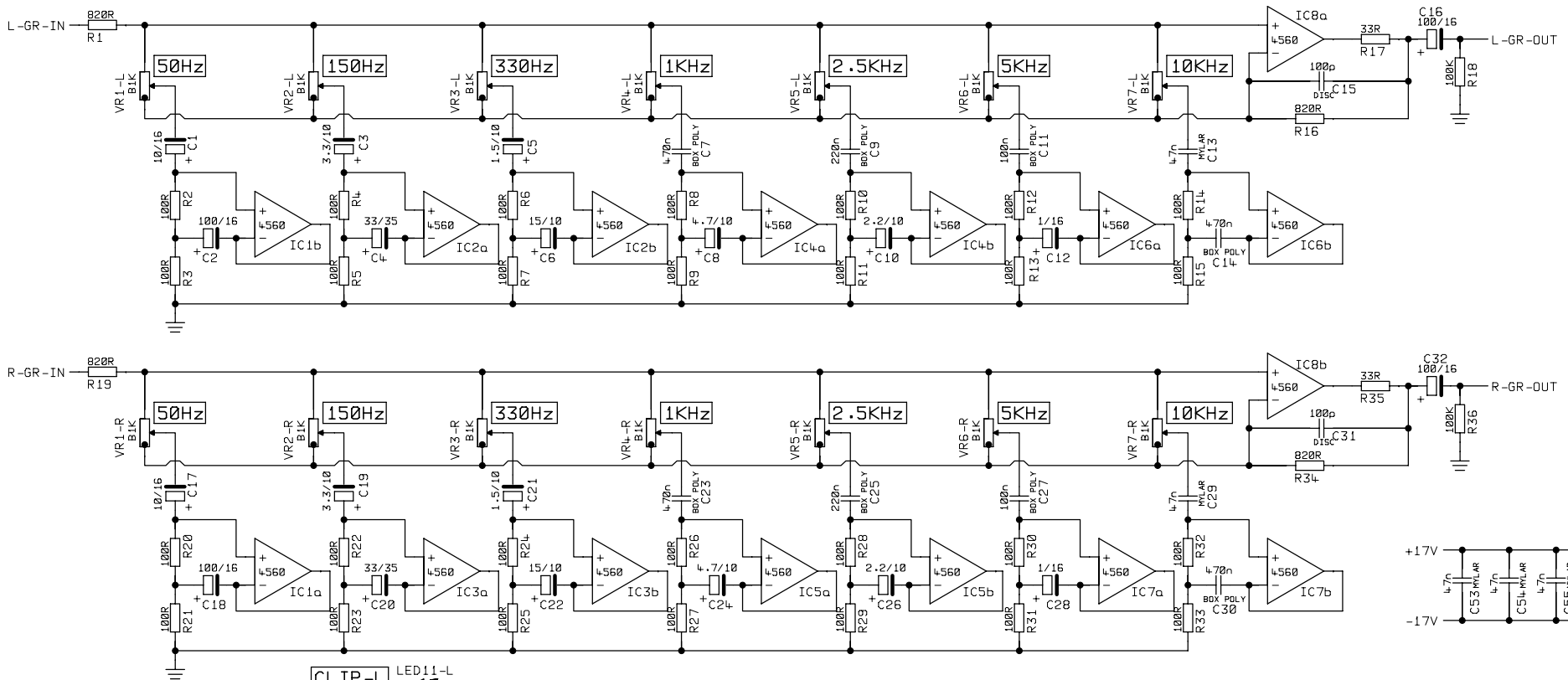


REV A = D2 & D4 CHANGED FROM 1W3 15V ZENER DIODES TO 680R LR1 or 0.5W RATED PART IN 0.25W BODY SIZE
LINK ACROSS D2 & D4

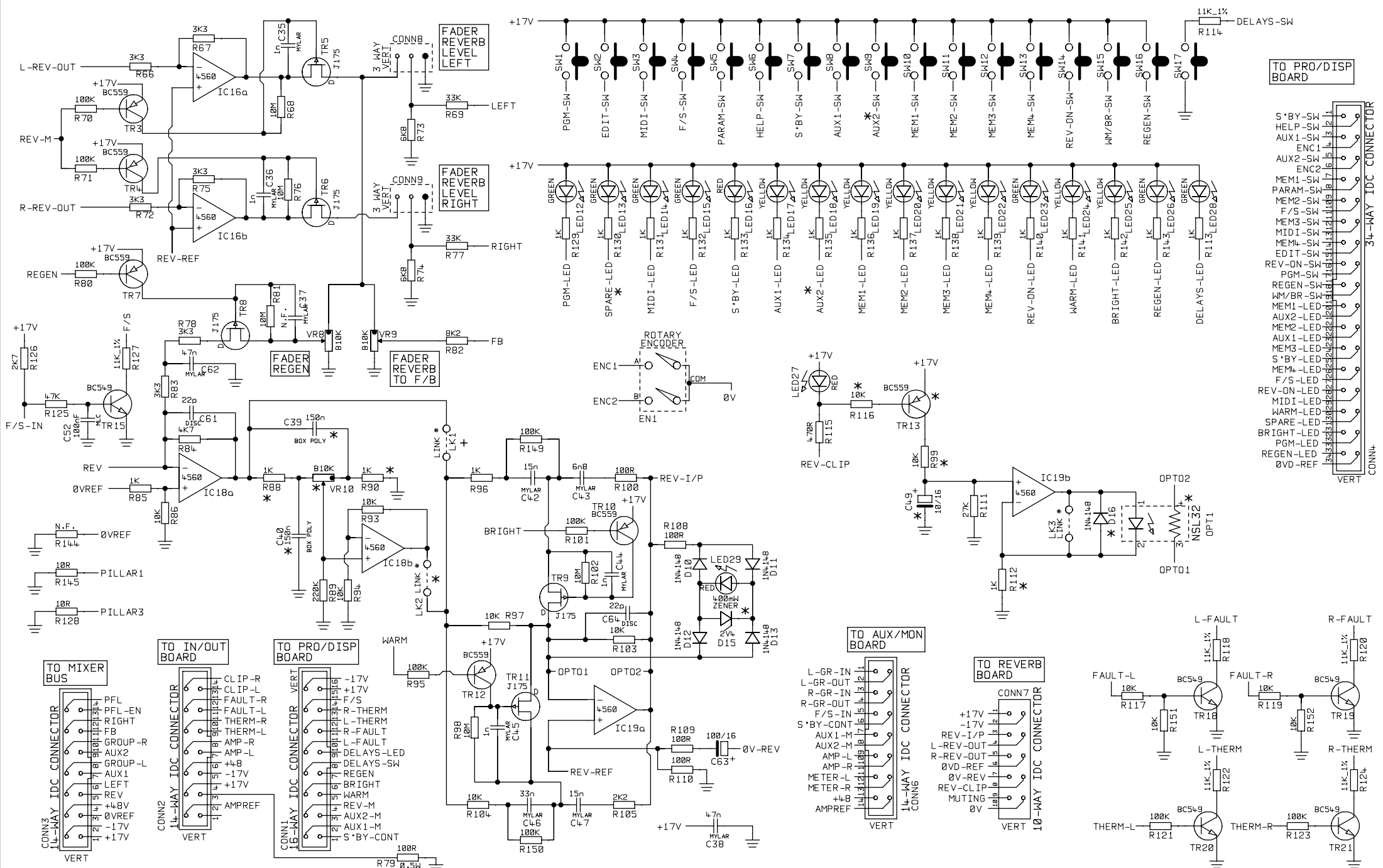
NOTE	BC54-9 AND BC559 TRANSISTOR TYPES	
	B GRADE	C GRADE
R14	12K_1%	16K_1%
R15	3K3_1%	4K3_1%

= FIT COMPONENT WITH BODY 3MM OFF BOARD

STUDIOMASTER DIAMOND LTD		TITLE		DISPLAY PROCESSOR PCB		FILE NAME	
PRODUCT		POWERHOUSE VISION/ HORIZON		PART 2 OF 2		R8C7B-2.DGM	
VERSIONS		708 712 1208 1216		DRN BY		P.A. DATE 14-05-99	
						ISSUE No	
						R8C7B-2 REV A	

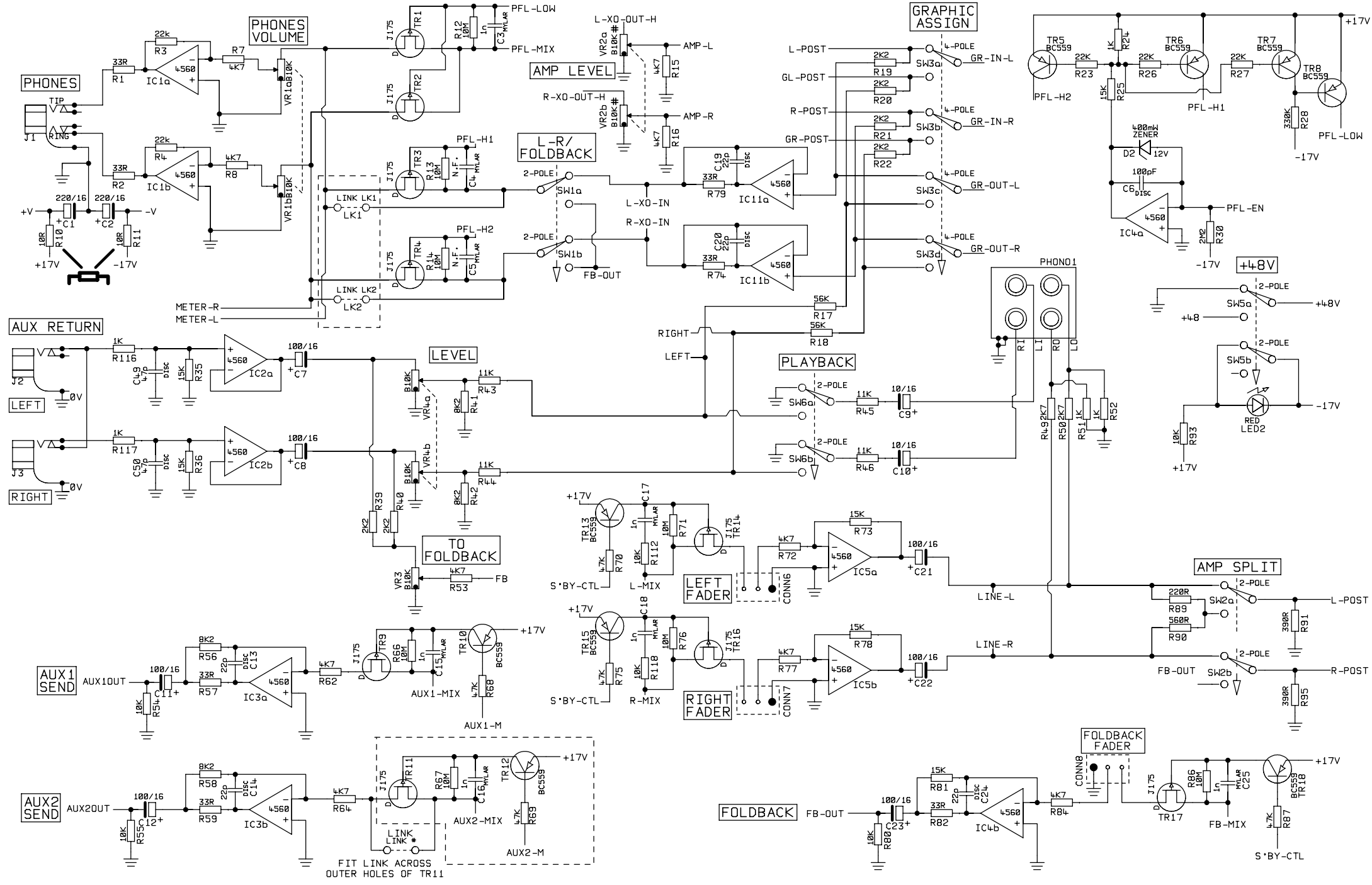


STUDIOMASTER DIAMOND LTD		TITLE CONTROL/GRAPHIC BOARD		FILE NAME R8C8A-3.DGM
PRODUCT	POWERHOUSE VISION / HORIZON	PART 1 OF 2		ISSUE No
VERSIONS	708 712 1208 1216	DRN BY	P.A.	DATE 03-07-97
				R8C8A-3



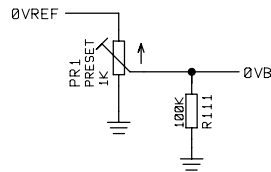
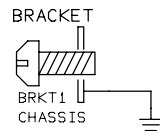
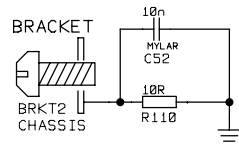
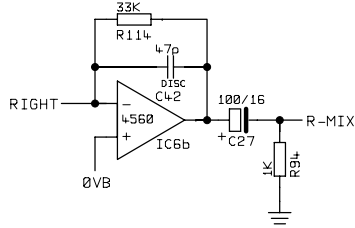
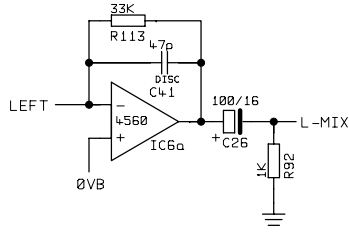
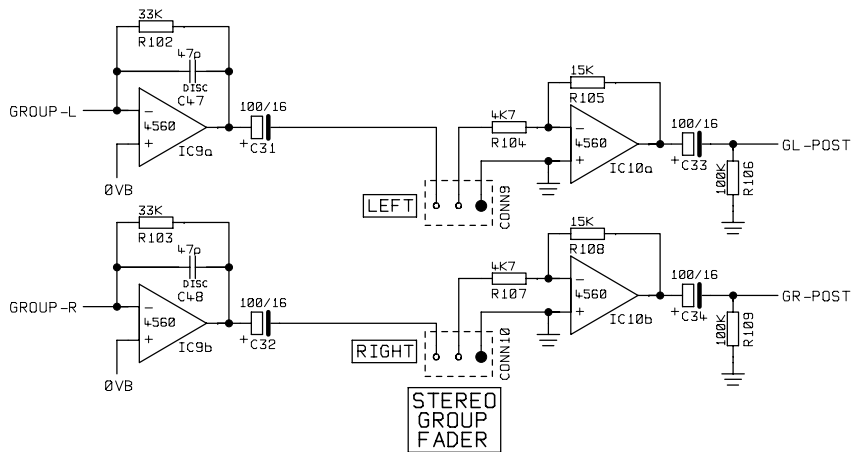
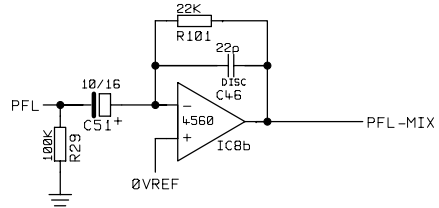
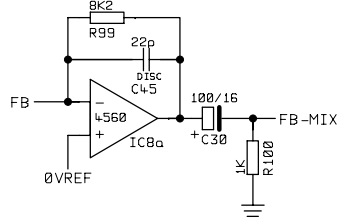
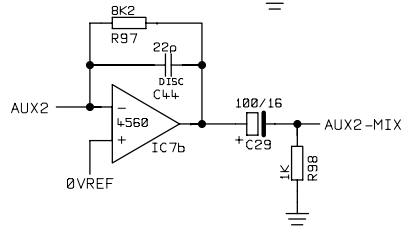
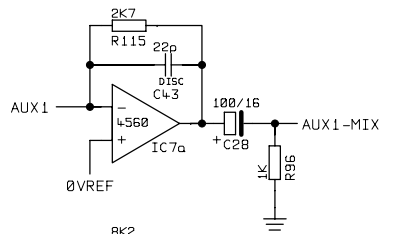
* = NOT FITTED COMPONENTS

STUDIOMASTER DIAMOND LTD				TITLE CONTROL/GRAPHIC BOARD		FILE NAME R8C8B-3.DGM	
PRODUCT POWERHOUSE VISION / HORIZON		PART 2 OF 2		ISSUE No			
VERSIONS 708 712 1208 1216		DRN BY P.A.		DATE 15-09-97		R8C8B-3 REV A	

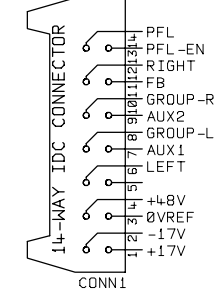


VR2 ON SINGLE VOLTAGE MODELS IS B1K
 NOTE : ITEMS IN DOTTED ARE NOT FITTED
 = FIT COMPONENT WITH BODY 3MM OFF BOARD

STUDIOMASTER DIAMOND LTD		TITLE	AUX BOARD		FILE NAME
POWERHOUSE VISION / HORIZON		PART 1 OF 2		R8C9A-2.DGM	
PRODUCT	VERSIONS	DRN BY	P.A.	DATE	ISSUE No
708 712 1208 1216				04-12-97	R8C9A-2 REV2

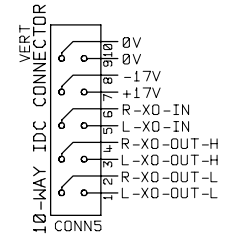


TO MIXER BUS

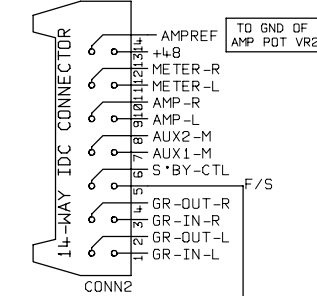


OPTIONAL CROSSOVER BOARD CONNECTIONS

TO XOVER BOARD

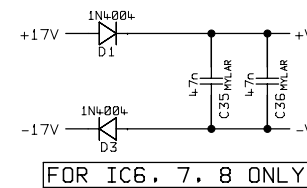
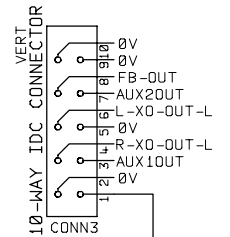


TO CONTROL /GRAPHIC

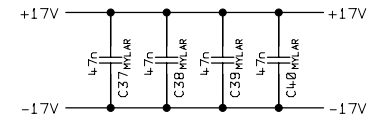


REAR PANEL CONNECTOR BOARD

TO CONNECTOR BOARD



FOR IC6, 7, 8 ONLY



STUDIOMASTER DIAMOND LTD

TITLE

AUX BOARD

FILE NAME
R8C9B-2.DGM

PRODUCT

POWERHOUSE VISION/ HORIZON

PART 2 OF 2

ISSUE No

R8C9B-2

VERSIONS

708 712 1208 1216

DRN BY

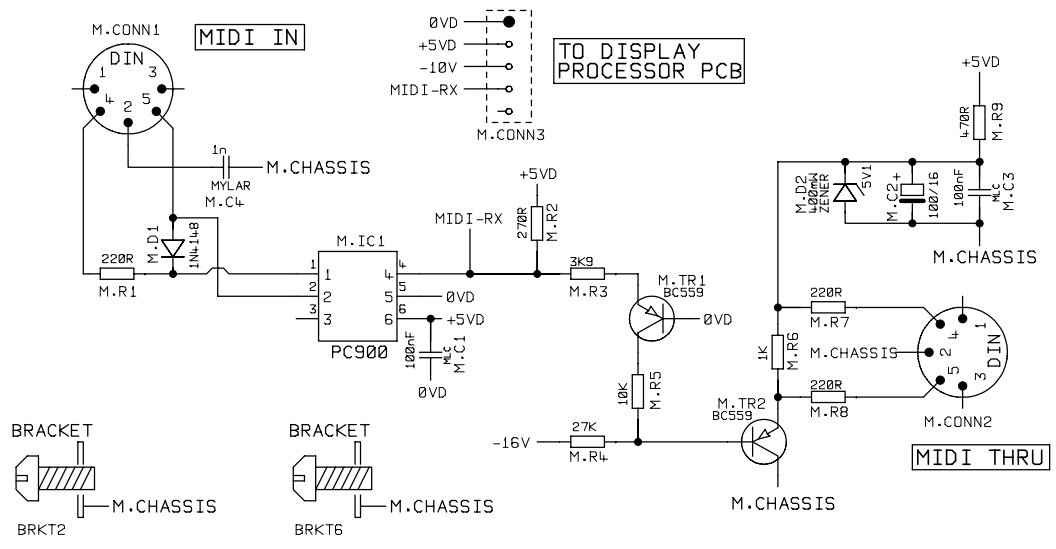
P.A.

DATE

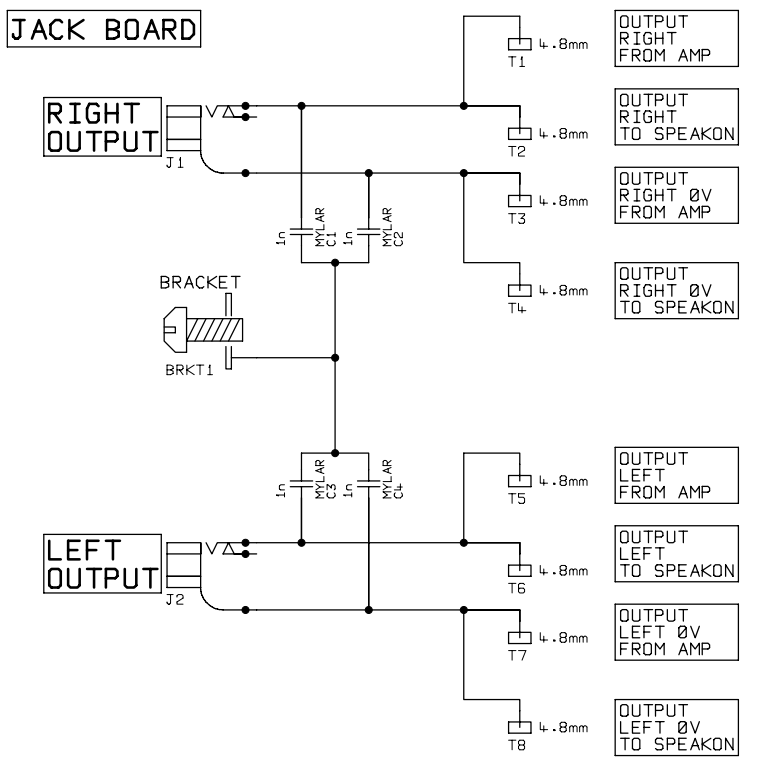
07-10-97

REV1

NOT FITTED ON FOCUS VERSIONS



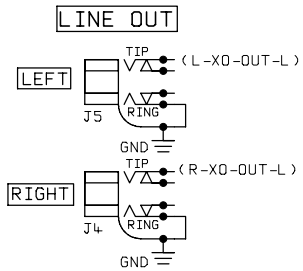
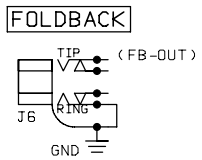
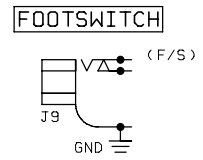
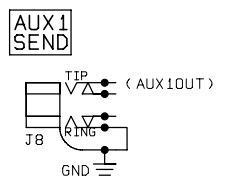
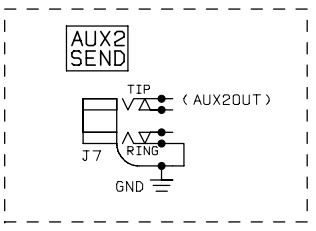
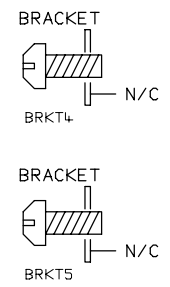
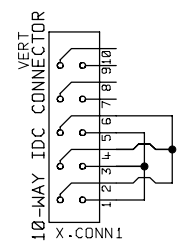
NOT FITTED ON HORIZON 1208/1216 VERSIONS



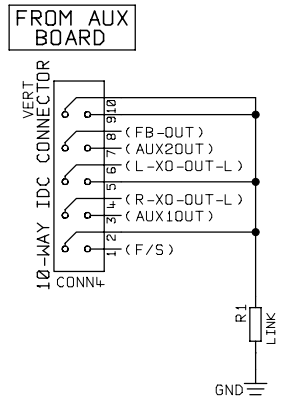
NOT FITTED ON FOCUS VERSIONS

OPTIONAL CROSSOVER BOARD CONNECTIONS

STANDARD BY-PASS BOARD

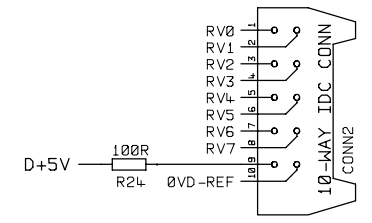
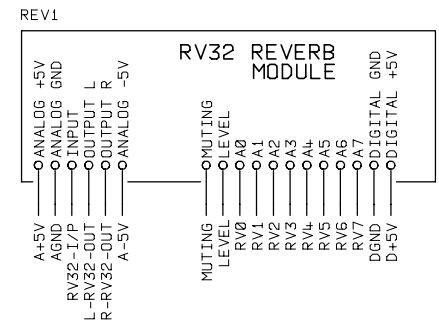
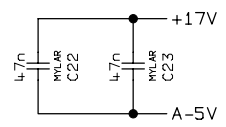
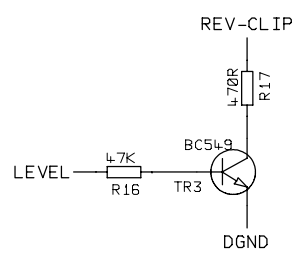
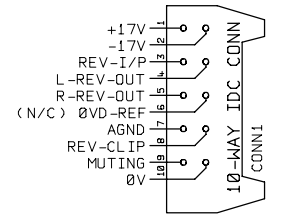
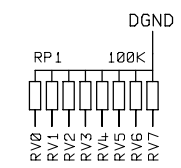
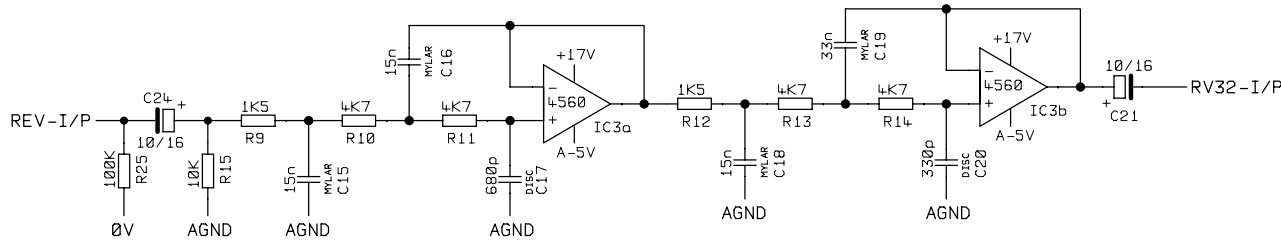
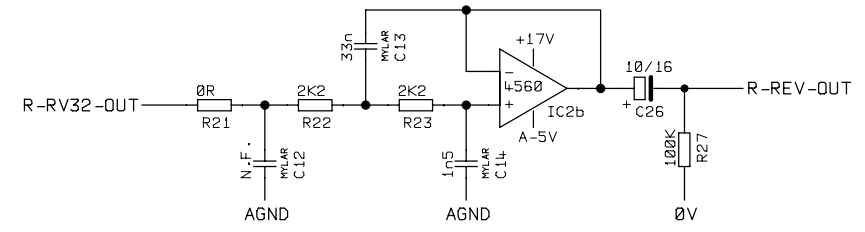
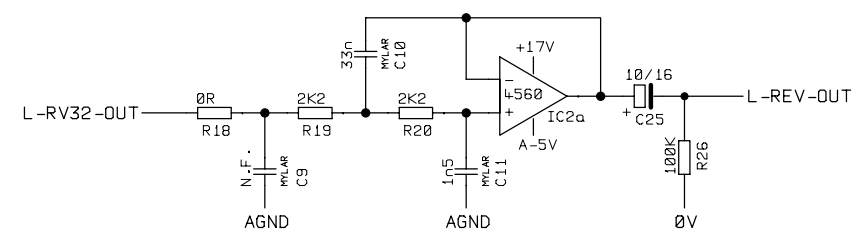
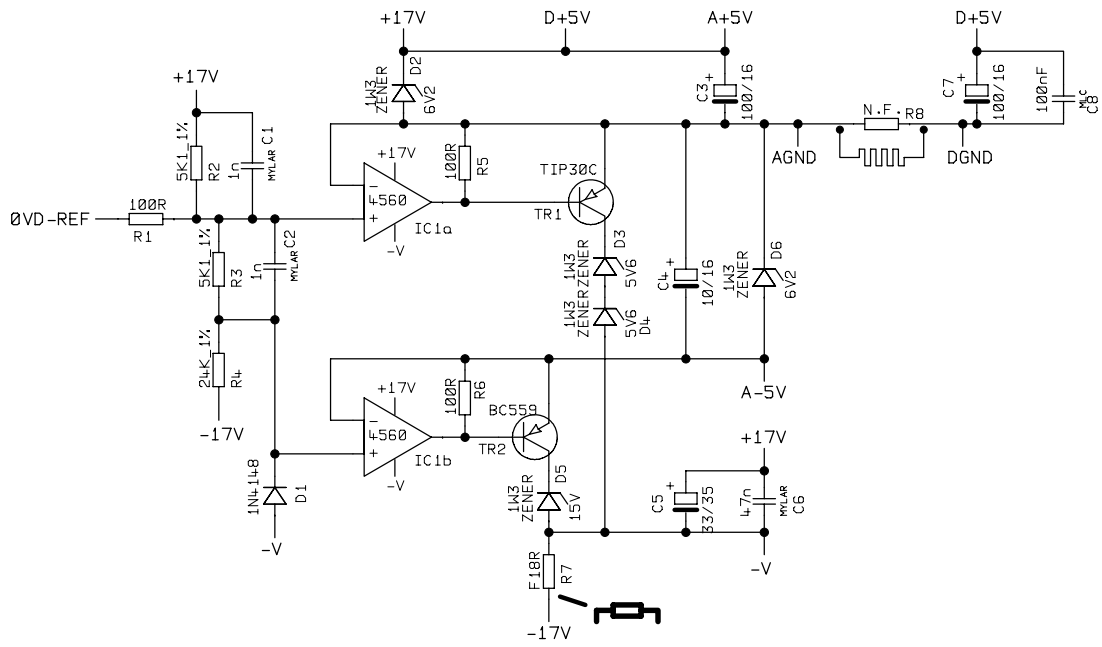


REAR PANEL CONNECTOR BOARD



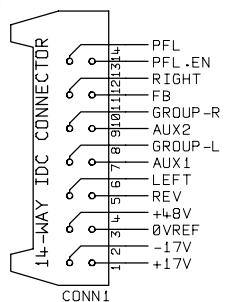
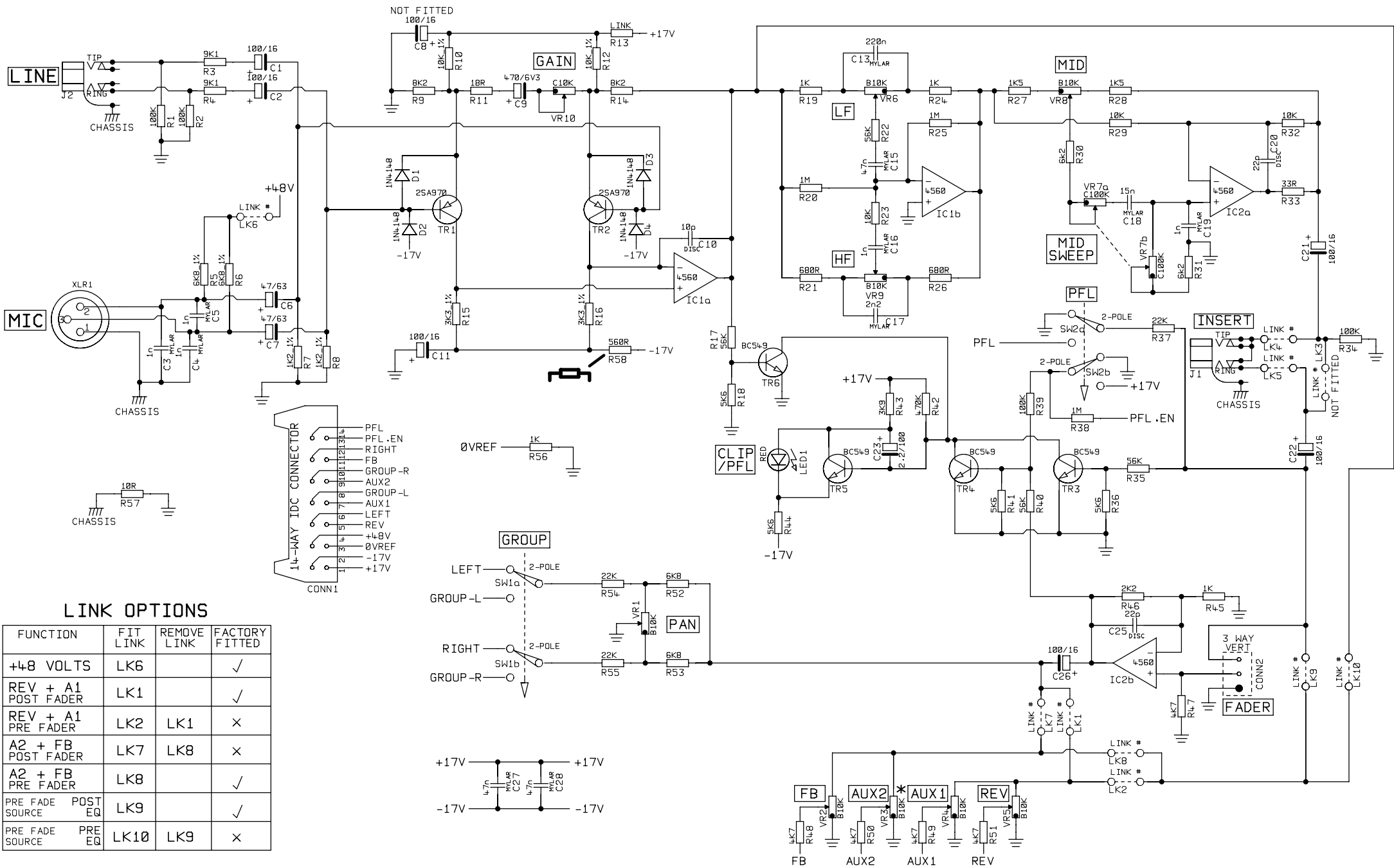
NOTE: CIRCUIT IN DOTTED LINES HORIZON 1208 / 1216 VERSIONS ONLY

STUDIOMASTER DIAMOND LTD		TITLE	MIDI/XOVER/AUX CONN BOARD / JACK OUTPUT BOARD		FILE NAME	R8C10-2.DGM	
PRODUCT	POWERHOUSE	PART 1 OF 1			ISSUE No	R8C10-2	
VERSIONS	FOCUS/VISION708 712/HORIZON1208 1216	DRN BY	P.A.	DATE	08-04-98		
						REV A	



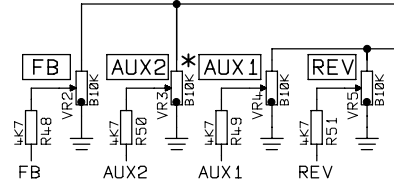
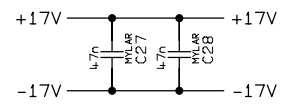
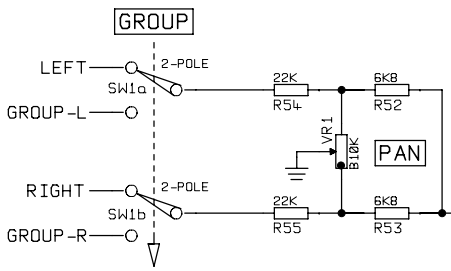
= FIT COMPONENT WITH BODY 3MM OFF BOARD

STUDIOMASTER DIAMOND LTD		TITLE	REVERB INTERFACE PCB		FILE NAME	R8C18-3.DGM	
PRODUCT	POWERHOUSE VISION/ HORIZON	PART 1 OF 1			ISSUE No		
VERSIONS	708 712 1208 1216	DRN BY	P.A.	DATE	01-07-97		
						R8C18-3	



LINK OPTIONS

FUNCTION	FIT LINK	REMOVE LINK	FACTORY FITTED
+4.8 VOLTS	LK6		✓
REV + A1 POST FADER	LK1		✓
REV + A1 PRE FADER	LK2	LK1	✗
A2 + FB POST FADER	LK7	LK8	✗
A2 + FB PRE FADER	LK8		✓
PRE FADE POST SOURCE	LK9		✓
PRE FADE PRE EQ	LK10	LK9	✗



NOTE : COMPONENTS MARKED * = FITTED ON HORIZON 1208 / 1216 ONLY

STUDIOMASTER DIAMOND LTD		TITLE	MONO INPUT CIRCUIT		FILE NAME
POWERHOUSE VISION / HORIZON		PART 1 OF 1		R1C4-4.DGM	
PRODUCT	708 712 1208 1216	DRN BY	P.A.	DATE	22-07-97
					ISSUE No
					R1C4-4

= FIT COMPONENT WITH BODY 3MM OFF BOARD