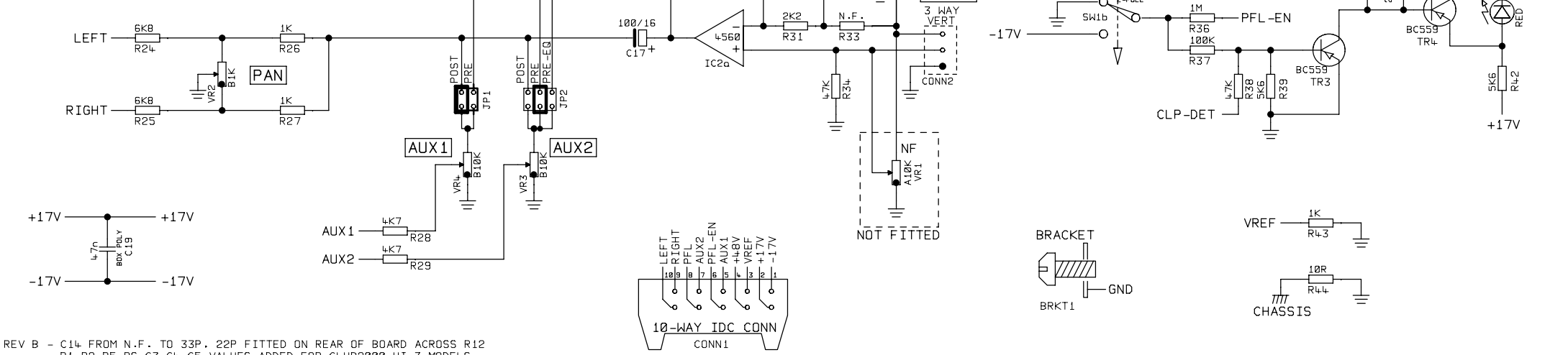


	CLUB2000 / CLUBDSP	POWERPACK	CLUB2000 HI Z PLUS
R1. R2	9K1	4.3K	18K_1%
R5. R6	1K2	18K	3K_1%
C3	1n MYLAR	330p CER	100p CER
C4. C5	1n MYLAR	330p CER	4.70p CER
R9	12R	39R	12R



REV B - C14 FROM N.F. TO 33P, 22P FITTED ON REAR OF BOARD ACROSS R12  
 R1,R2,R5,R6,C3,C4,C5 VALUES ADDED FOR CLUB2000 HI Z MODELS  
 MYLAR CAPACITORS CHANGED TO BOX POLY TYPE

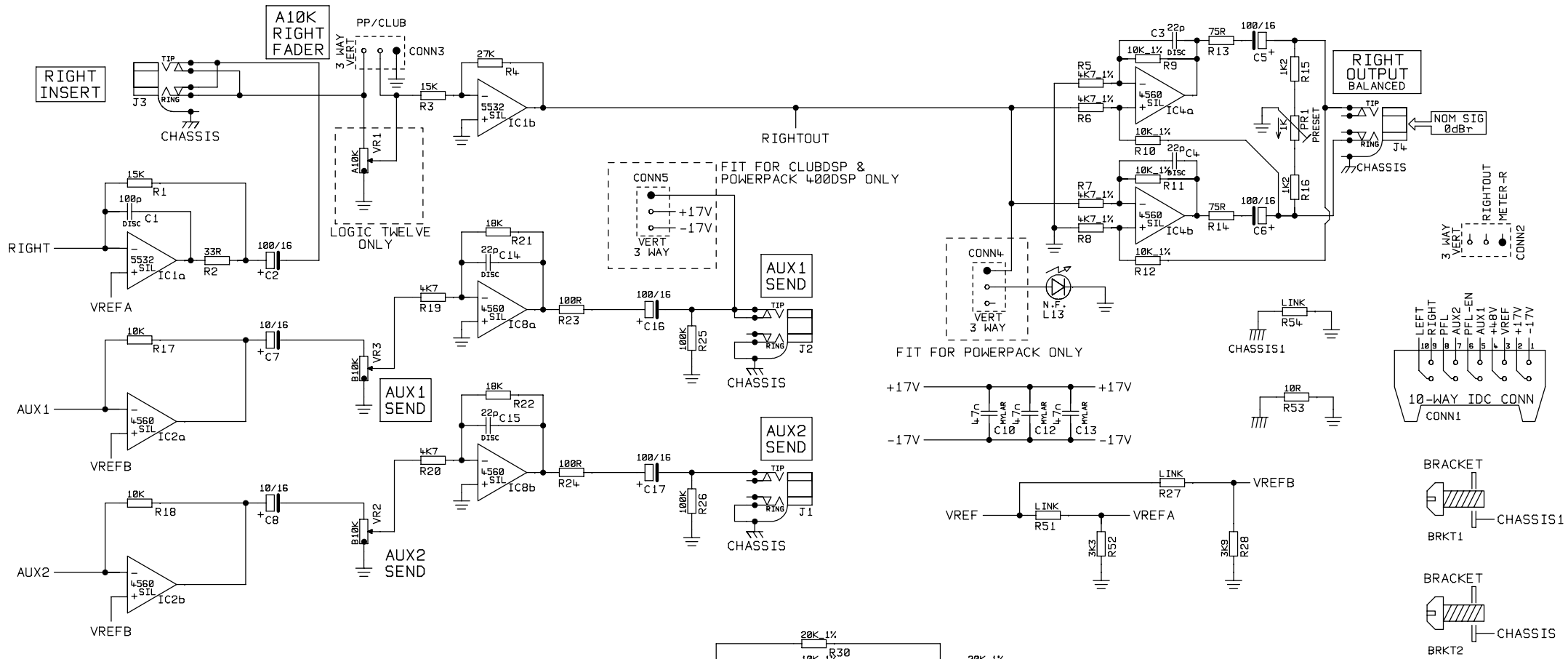
REV A - R1 & R2 FROM 4.7K TO 4.3K FOR PP, R5 & R6 FROM 15K TO 18K FOR PP,  
 R9 FROM 12R TO 39R FOR PP

PIN OUTS FOR ALL OPAMPS

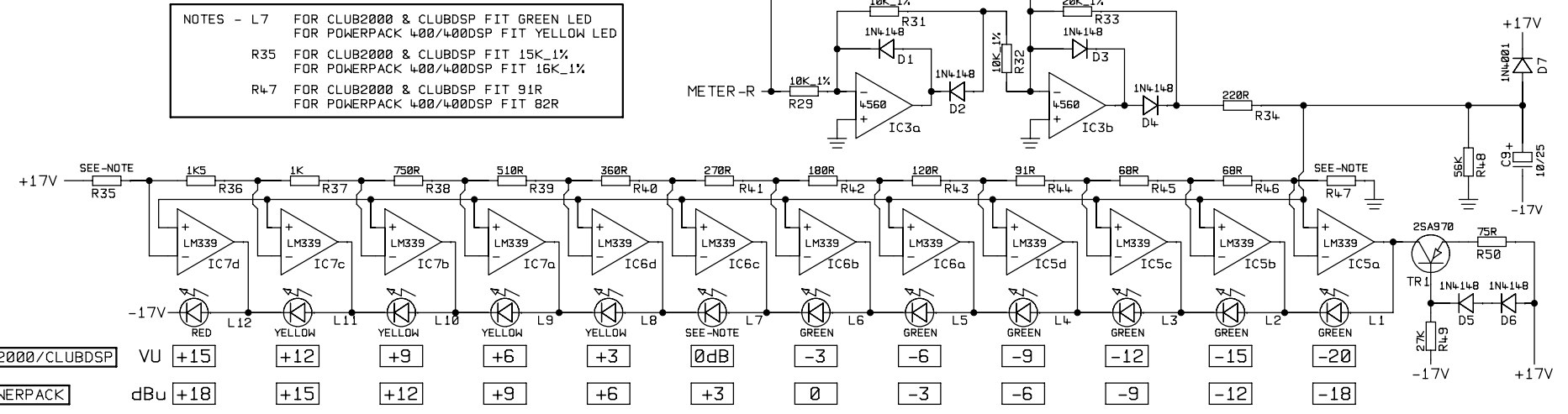
GROUP A	GROUP B
1 = O/P	8 = +17V
2 = -	7 = O/P
3 = +	6 = -
4 = -17V	5 = +

NOTE - ALL RESISTORS ARE 0.125W TYPE APART FROM - R3, R4, R8 R10, R12, R13 (THESE ARE 0.25W 1% CROSTER TYPE)

STUDIOMASTER DIAMOND LTD		TITLE		MONO INPUT		FILE NAME	
PRODUCT		PART 1 OF 1		DATE		R7C1-2.DGM	
CLUB2000		DRN BY		25-06-99		ISSUE No	
CLUBDSP		P.A.		REV B		9607044-2	
POWERPACK		DATE		25-06-99		REV B	
MODEL		DATE		25-06-99		REV B	
ALL		DATE		25-06-99		REV B	
ALL		DATE		25-06-99		REV B	
400 400DSP		DATE		25-06-99		REV B	



NOTES - L7 FOR CLUB2000 & CLUBDSP FIT GREEN LED  
 FOR POWERPACK 400/400DSP FIT YELLOW LED  
 R35 FOR CLUB2000 & CLUBDSP FIT 15K\_1%  
 FOR POWERPACK 400/400DSP FIT 16K\_1%  
 R47 FOR CLUB2000 & CLUBDSP FIT 91R  
 FOR POWERPACK 400/400DSP FIT 82R



1	=	O/P	=	GRPB
2	=	O/P	=	GRPA
3	=	+17V		
4	=	+	=	GRPA
5	=	+	=	GRPA
6	=	+	=	GRPB
7	=	+	=	GRPB
8	=	+	=	GRPC
9	=	+	=	GRPC
10	=	+	=	GRPD
11	=	+	=	GRPD
12	=	-17V		
13	=	O/P	=	GRPD
14	=	O/P	=	GRPC

REV B - FOR POWERPACK 400 & 400DSP CHANGE  
 L7 FROM GREEN TO YELLOW  
 R35 FROM 15K\_1% TO 16K\_1%  
 R47 FROM 91R TO 82R

REV A - C1 FROM 47P TO 100P

GROUP A		GROUP B		
1	=	0	=	+17V
2	=	7	=	O/P
3	=	6	=	+
4	=	5	=	-17V

NOTE - ALL RESISTORS ARE 0.125W TYPE  
 0dB<sub>T</sub> = +4dBu

**STUDIOMASTER DIAMOND LTD**

PRODUCT: LOGIC 12  
 CLUB2000  
 CLUBDSP  
 POWERPACK

MODEL: ALL  
 ALL  
 ALL  
 400 400DSP

TITLE: **RIGHT OUTPUT**

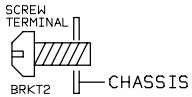
PART 1 OF 1

DRN BY: P.A. DATE: 04-03-99

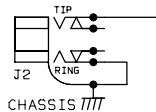
FILE NAME: R7C4-4.DGM

ISSUE No: **9607047-4**

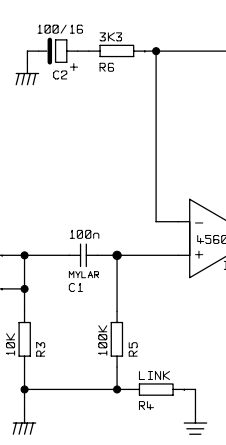
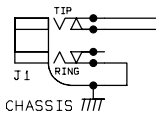
REV B



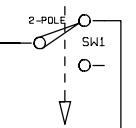
LINE 4.6.8



LINE 5.7.9



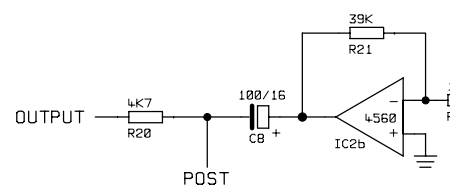
HI / LO



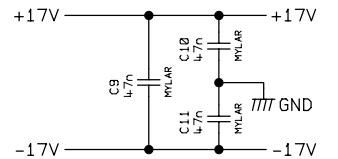
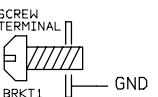
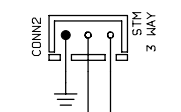
OUTPUT

POST

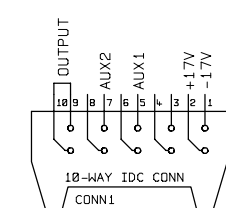
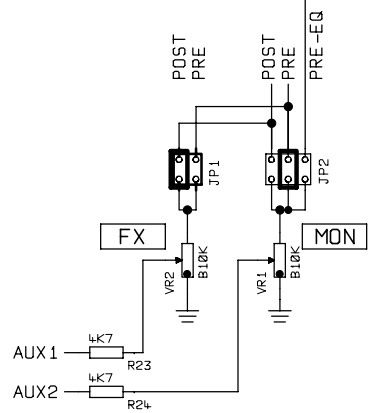
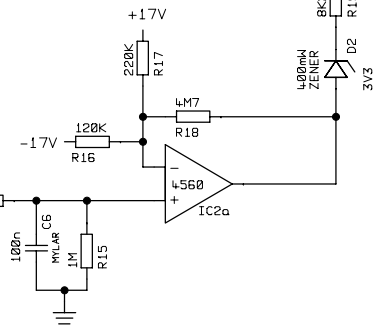
PRE



A10K FADER



CLIP



REV A = R9, R10 CHANGED FROM 1K2 TO 1K3  
R16 CHANGED FROM 100K TO 120K

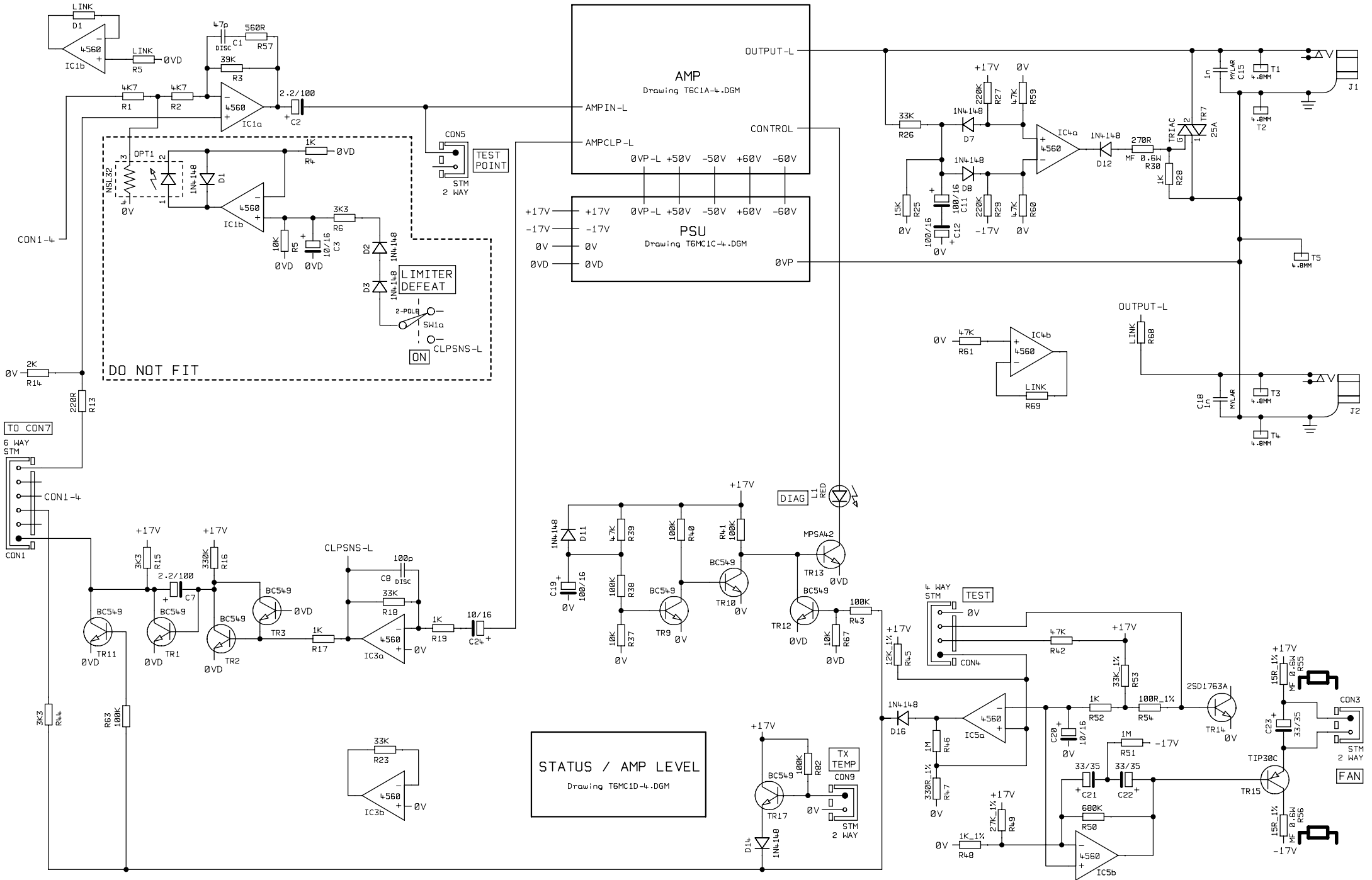
2 = 4.7P ADDED IN POSITION C12. R9,R10 CHANGED FROM 1K TO 1K2. R16 CHANGED FROM 4.7K TO 100K  
R21 CHANGED FROM 02K TO 39K. R1,R2 FROM 68K TO 6K8. R3 FROM 100K TO 10K. R5 FROM 4.70K TO 100K. C2 (0V) TO CHASSIS. R5 (0V) TO CHASSIS  
IC1B CHANGED TO CHASSIS NOT 0V. JP3 & R25 DELETED. R4 CHANGED FROM 10R TO LINK

PIN OUTS FOR ALL OPAMPS	
GROUP A	GROUP B
1 = = 0/P	8 = = +17V
2 = = -	7 = = 0/P
3 = = +	6 = = -
F = = -17V	5 = = +

STUDIOMASTER DIAMOND LTD	
PRODUCT POWERPACK	MODEL 200

TITLE	LINE INPUT	
PART 1 OF 1		
DRN BY	P.A.	DATE 01-03-99

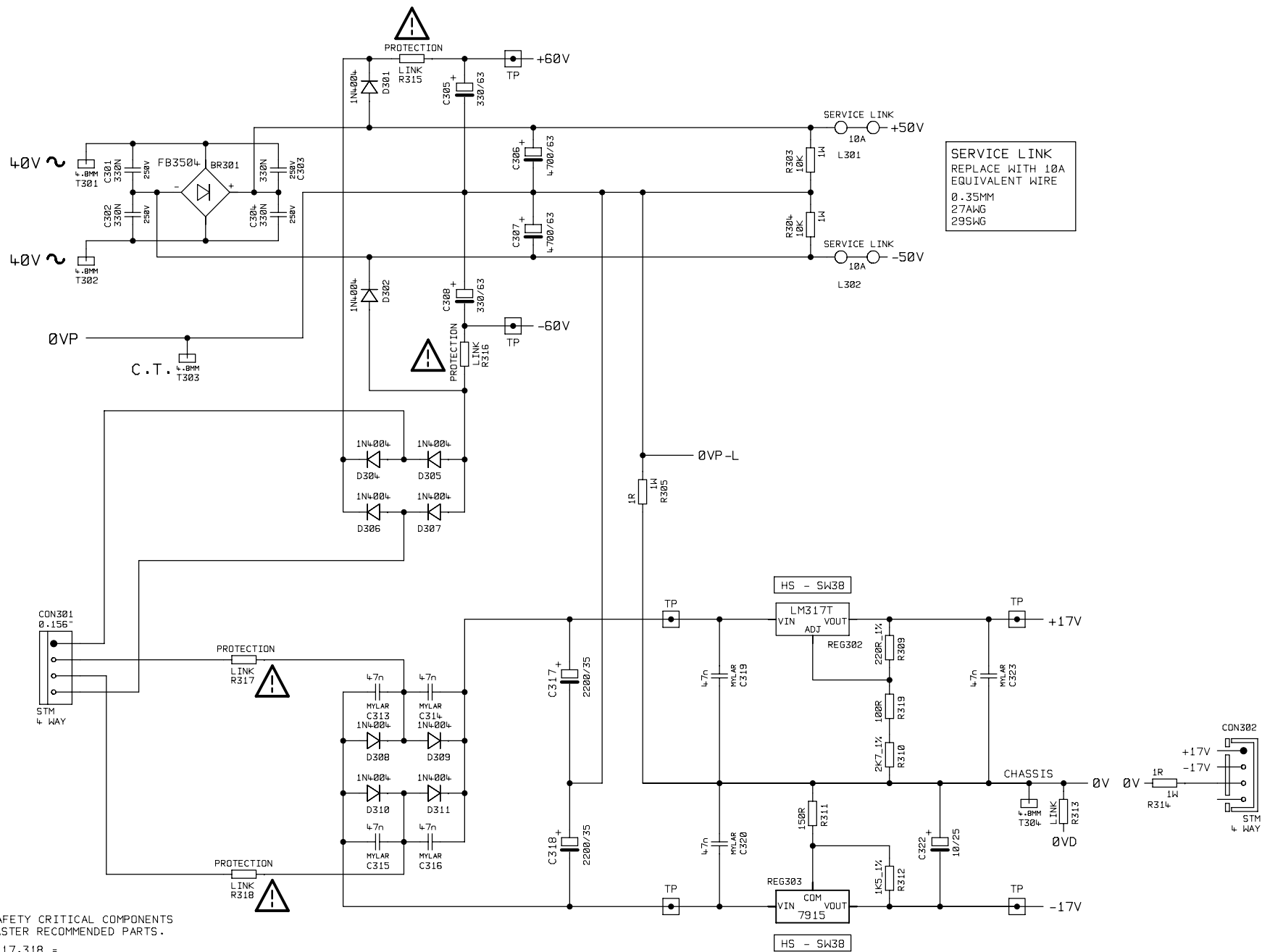
FILE NAME	T6C3-2.DGM
	PCBUTA82
	FIN36203
ISSUE No	T6C3-2 REV A



= STAND RESISTORS 3MM OFF BOARD  
 REV C = R30 CHANGED FROM 0.125W TO 0.6W (240999)  
 REV B = R55,R56 TO BE SPACED OFF BOARD BY 3MM  
 REV A = JACK SOCKETS J1,J2 CHANGED FROM SPECIAL NOSE TO FULL THREAD  
 4 = C2 FROM 100/16 TO 2.2/100, CON1,CON2 FROM 2X3WAY TO 1X6WAY, TX TEMP CCT CHANGED, R27,R29 CHANGED FROM 100K TO 220K, J1,J2 FROM STEREO TO MONO, BRKT1,BRKT2 DELETED, T5 ADDED, CON5 FROM HDR TO STM

STUDIOMASTER DIAMOND LTD		TITLE		FILE NAME	
PRODUCT		POWERPACK		T6MC1-4.DGM	
VERSIONS		200		ISSUE No	
		DRN BY		T6MC1-4 REV C	
		P.A.		PCBUT832	
		DATE		24-05-99	





SERVICE LINK  
 REPLACE WITH 10A  
 EQUIVALENT WIRE  
 0.35MM  
 27AWG  
 29SWG

WARNING  INDICATES SAFETY CRITICAL COMPONENTS  
 REPLACE ONLY WITH STUDIOMASTER RECOMMENDED PARTS.

PROTECTION LINK R315.316.317.318 =  
 35SWG OR 0.2MM TCW AROUND 0.25W 100K RESISTOR

Parent T6MC1-4.DGM

REV B = SEE T6MC1. T6C1A FOR DETAILS

REV A = R315.316.317.318 CHANGED FROM 0R22 FUSIBLE TO PROTECTION LINK  
 SAFETY CRITICAL MARKINGS ADDED TO SCHEMATIC

\* = C317.C318 CHANGED FROM 1000/35 TO 2200/35. C321 10/25.C324 4.7N DELETED  
 REG302 & REG303 HEATSINKS CHANGED FROM HS-PF750 TO REDPOINT SW-38 TYPE  
 R315 & R316 CHANGED FROM 0R47 FUSIBLE TO 0R22 FUSIBLE  
 C305 & C308 CHANGED FROM 220/63 TO 330/63

STUDIOMASTER DIAMOND LTD

PRODUCT POWERPACK

VERSIONS 200

TITLE PSU

DRN BY

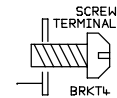
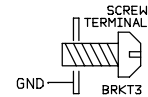
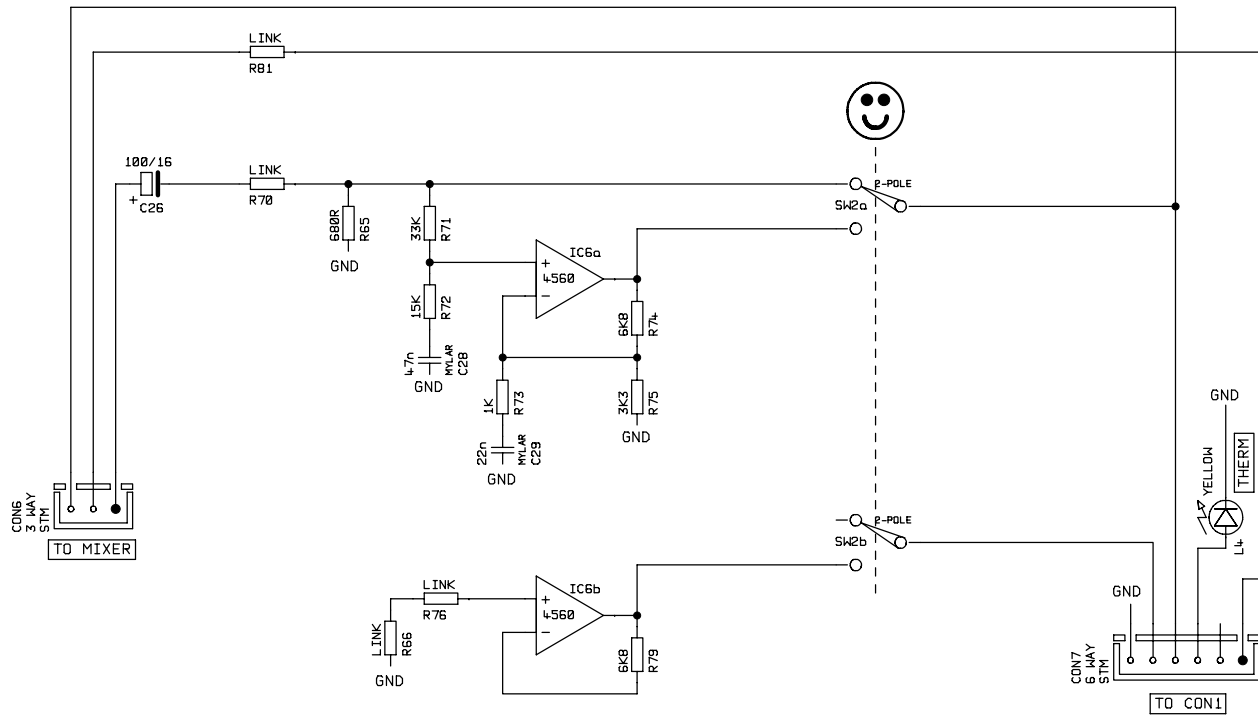
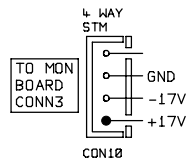
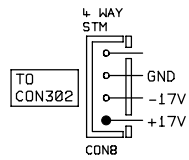
P.A.

DATE

24-05-99

FILE NAME  
 T6MC1C-4.DGM

ISSUE No  
**T6MC1C-4** REV  
 B  
 PCBUT832



Parent T6MC1-4.DGM

REV B = SEE T6MC1, T6C1A FOR DETAILS  
 REV A = NO CHANGES ON SCHEMATIC

4 = R81 LINK, R65 680R, R66 LINK, R76 LINK ADDED, R77 15K, C30 47N DELETED  
 CON6 CHANGED TO 3-WAY, TRACK ADDED FROM PIN3 OF CON6 TO PIN4 OF CON7

STUDIOMASTER DIAMOND LTD		TITLE	STATUS / AMP LEVEL CCT		
PRODUCT	POWERPACK				
VERSIONS	200	DRN BY	P.A.	DATE	24-05-99

FILE NAME  
T6MC1D-4.DGM

ISSUE No  
**T6MC1D-4 REV B**

PCBUT832