

6

5

4

3

2

1

REVISION RECORD		
LTR	REVISIONS DONE OR ECO NUMBER:	DATE:
F.3	Redraw in PADS; chg 5% resistors w/ 1%.	03/12/96
F.4	Changed R102 from 130 ohms/5% to 121 ohms/1% to standardize on 1% values.	05/09/96
F.5	Changed note on pg3 to make R29-30 20 Ohm	10/8/97

D

D

C

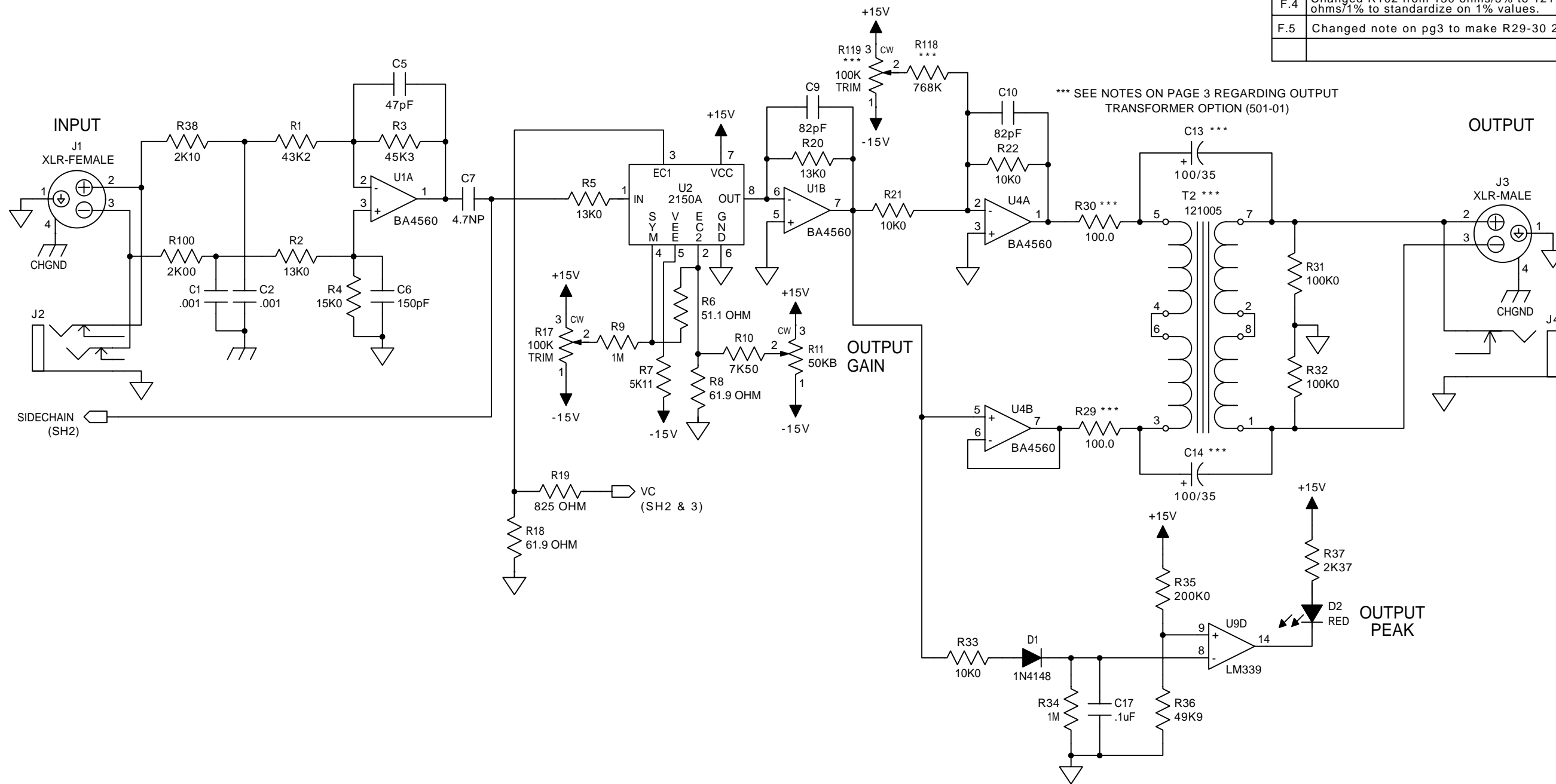
C

B

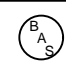
B

A

A



COMPANY: **SYMETRIX, INC.**
 14926 35th Avenue West
 Lynnwood, WA 98037-2303 USA

DRAWN:  DATED: 03/12/96
 RELEASED: DATED:

TITLE: **501 LIMITER - COMPRESSOR** REV: F.5
 DRAWING NO: **020150** SHEET: 1 OF 3

6

5

4

3

2

1

D

D

MASTER SLAVE (SHOWN IN MASTER POSITION)

C

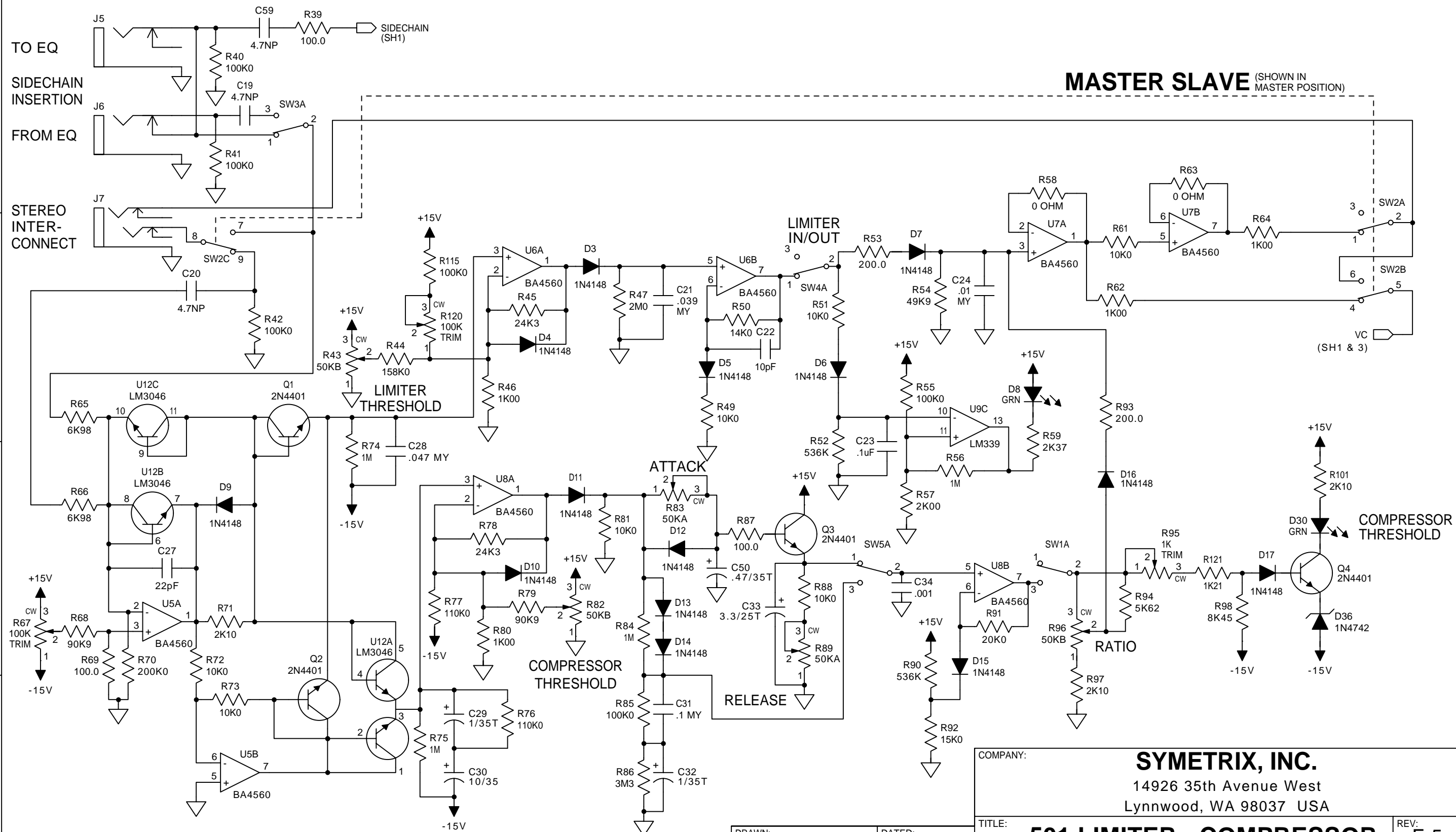
C

B


B

A

A



COMPANY: **SYMETRIX, INC.**
 14926 35th Avenue West
 Lynnwood, WA 98037 USA

DRAWN: 
 DATED: 03/12/96
 RELEASED:
 DATED:

TITLE: **501 LIMITER - COMPRESSOR** REV: F.5
 DRAWING NO: **020150** SHEET: 2 OF 3

6

5

4

3

2

1

D

D

C

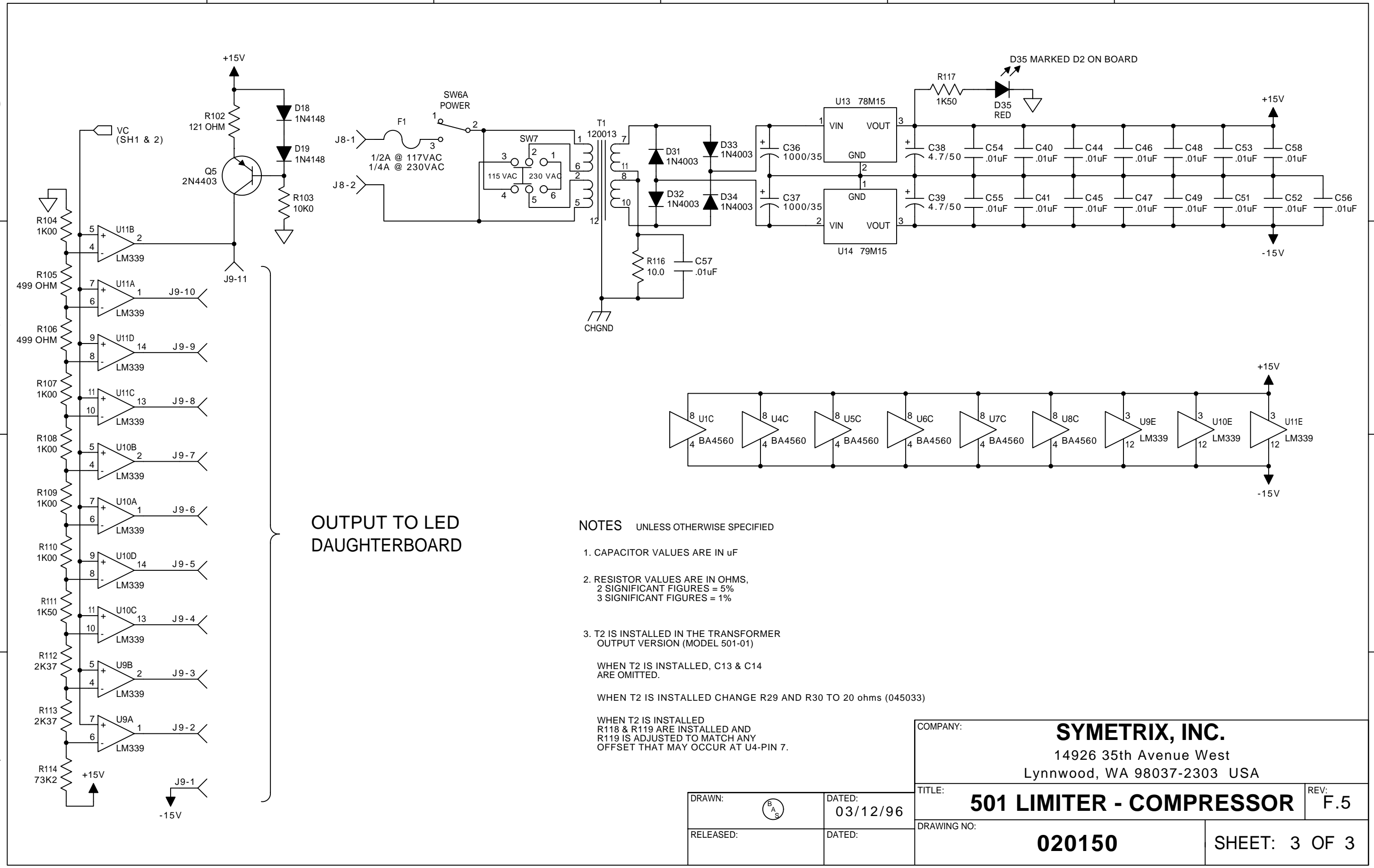
C

B

B

A

A



OUTPUT TO LED DAUGHTERBOARD

NOTES UNLESS OTHERWISE SPECIFIED

- 1. CAPACITOR VALUES ARE IN uF
 - 2. RESISTOR VALUES ARE IN OHMS,
2 SIGNIFICANT FIGURES = 5%
3 SIGNIFICANT FIGURES = 1%
 - 3. T2 IS INSTALLED IN THE TRANSFORMER
OUTPUT VERSION (MODEL 501-01)
- WHEN T2 IS INSTALLED, C13 & C14
ARE OMITTED.
- WHEN T2 IS INSTALLED CHANGE R29 AND R30 TO 20 ohms (045033)
- WHEN T2 IS INSTALLED
R118 & R119 ARE INSTALLED AND
R119 IS ADJUSTED TO MATCH ANY
OFFSET THAT MAY OCCUR AT U4-PIN 7.

COMPANY:		SYMETRIX, INC.	
		14926 35th Avenue West Lynnwood, WA 98037-2303 USA	
DRAWN:	DATED:	TITLE:	REV:
	03/12/96	501 LIMITER - COMPRESSOR	F.5
RELEASED:	DATED:	DRAWING NO:	SHEET: 3 OF 3
		020150	