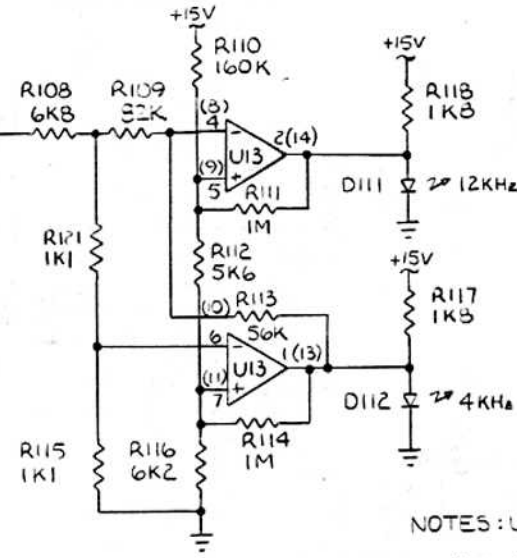
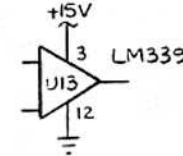
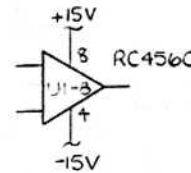
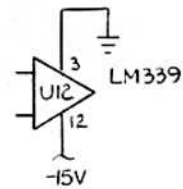


FROM IN/OUT SWITCH (CH. 1)  
FROM STEREO SWITCH (CH. 2)

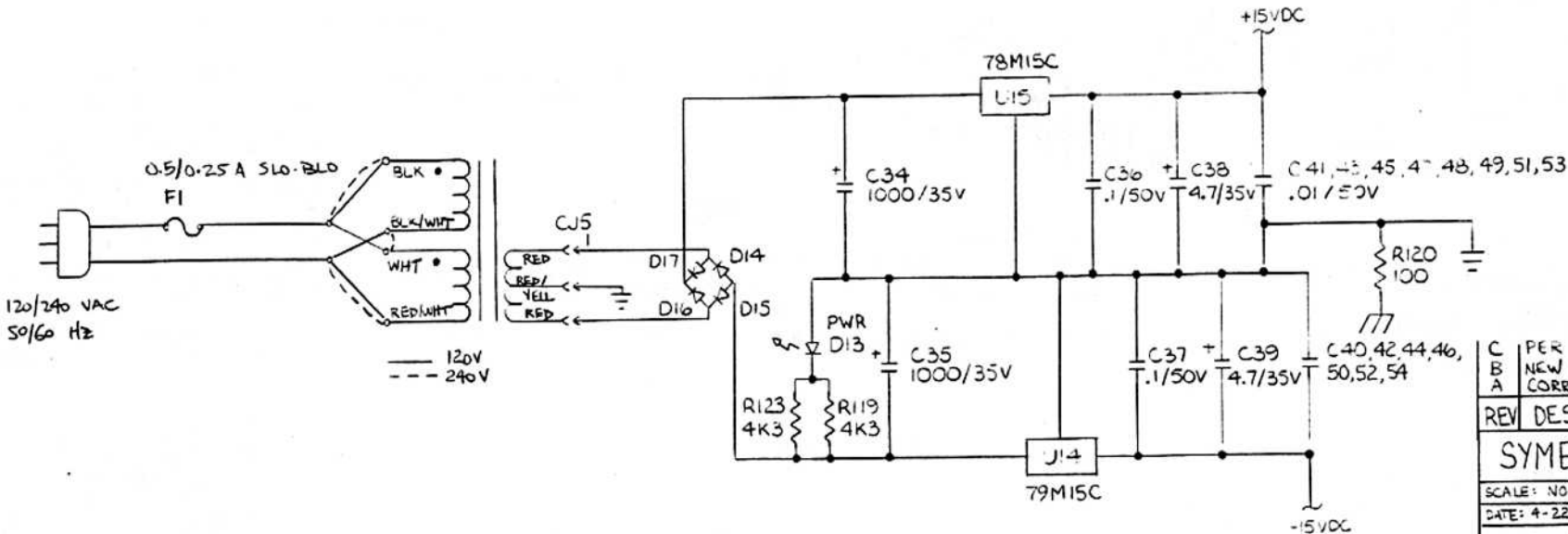
EXPAND. DISPLAY



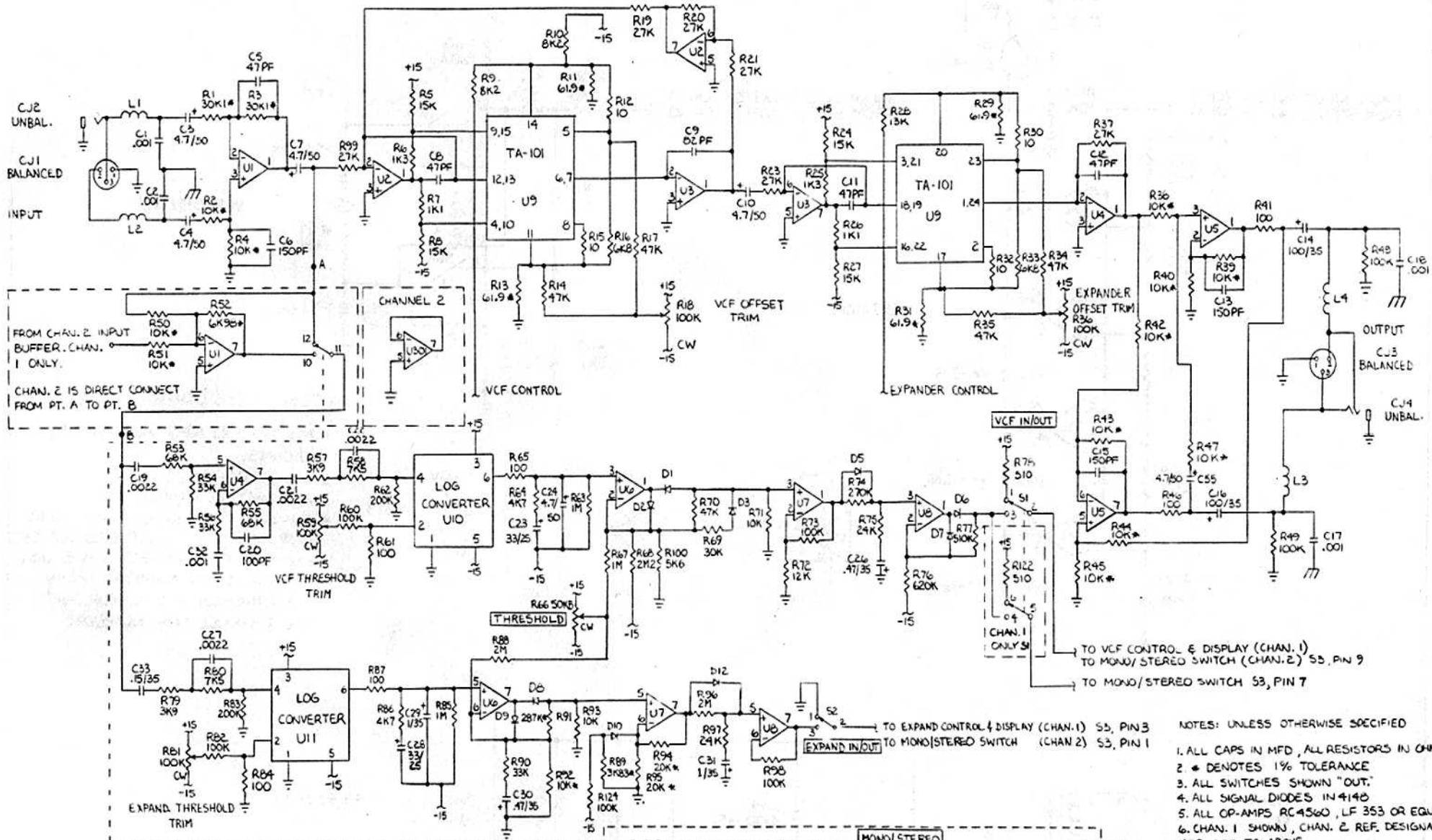
VCF DISPLAY

NOTES: UNLESS OTHERWISE SPECIFIED

1. ALL CAPS IN MFD, ALL RESISTORS IN OHMS.
2. ALL SIGNAL DIODES 1N4148
3. ALL SWITCHES SHOWN "OUT."
4. CHANNEL ONE SHOWN, FOR CHANNEL TWO, ADD 300 TO REF DESIGNATOR. EXCEPT BOTH CHANNELS SHARE U13, CHANNEL 2 PIN NUMBERS ARE IN PARENTHESES. ALL COMMON PARTS USE CHANNEL ONE NUMBERS

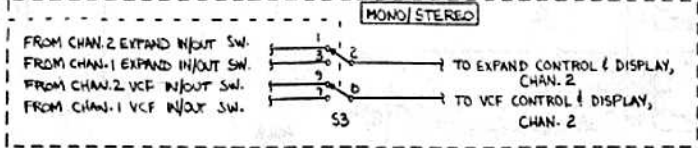
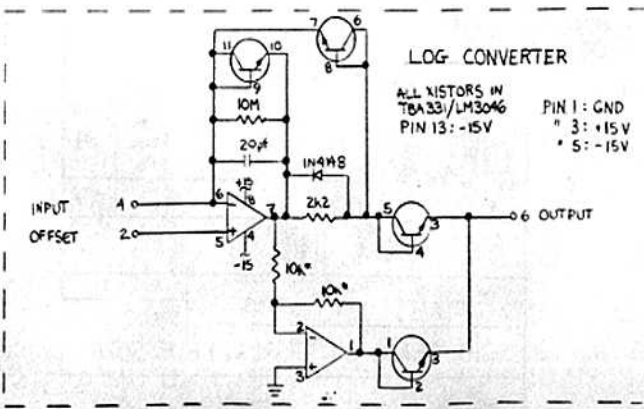


C	PER ECO	1-84
B	NEW PCB	1-84
A	CORR. REF. DES.: R123	9-83
REV	DESCRIPTION	BY DATE
SYMETRIX, INC.		
SCALE: NONE	APPROVED BY:	DWN BY: DK
DATE: 4-22-83	DAN K. 4-83	REV: B
SCHEMATIC, 511 DISPLAY & PWR SUPP		
DWG. NO.		131232



NOTES: UNLESS OTHERWISE SPECIFIED

1. ALL CAPS IN MFD, ALL RESISTORS IN OHMS.
2. \* DENOTES 1% TOLERANCE
3. ALL SWITCHES SHOWN "OUT."
4. ALL SIGNAL DIODES IN 4140
5. ALL OP-AMPS RC4550, LF 353 OR EQUIV.
6. CHAN. 1 SHOWN, CHAN. 2 REF. DESIGNATORS ADD 300 TO ABOVE.
7. LAST REF. DESIGNATORS R125, D117 U15, C55, S3, CJ6, J96
8. REF DESIGNATORS NOT USED: R22, D4, D18-D103, D105, D107, D109, J20, J58
9. SWITCHES NUMBERED CCW FROM RIGHT FRONT, U10 & U11 FROM FRONT.



C	PER ECO	DK	1-89
B	CHANGED VCF SIDE CHAIN	DK	12-83
A	CHANGED EXPAND SIDE CHAIN	DK	7-83
REV	DESCRIPTION	BY	DATE
<b>SYMETRIX, INC.</b>			
SCALE: NONE	APPROVED:	DRAWN BY:	
DATE: 1-20-83	DAN R. 7-11-83	REV: 2	
SCHEMATIC, 511			