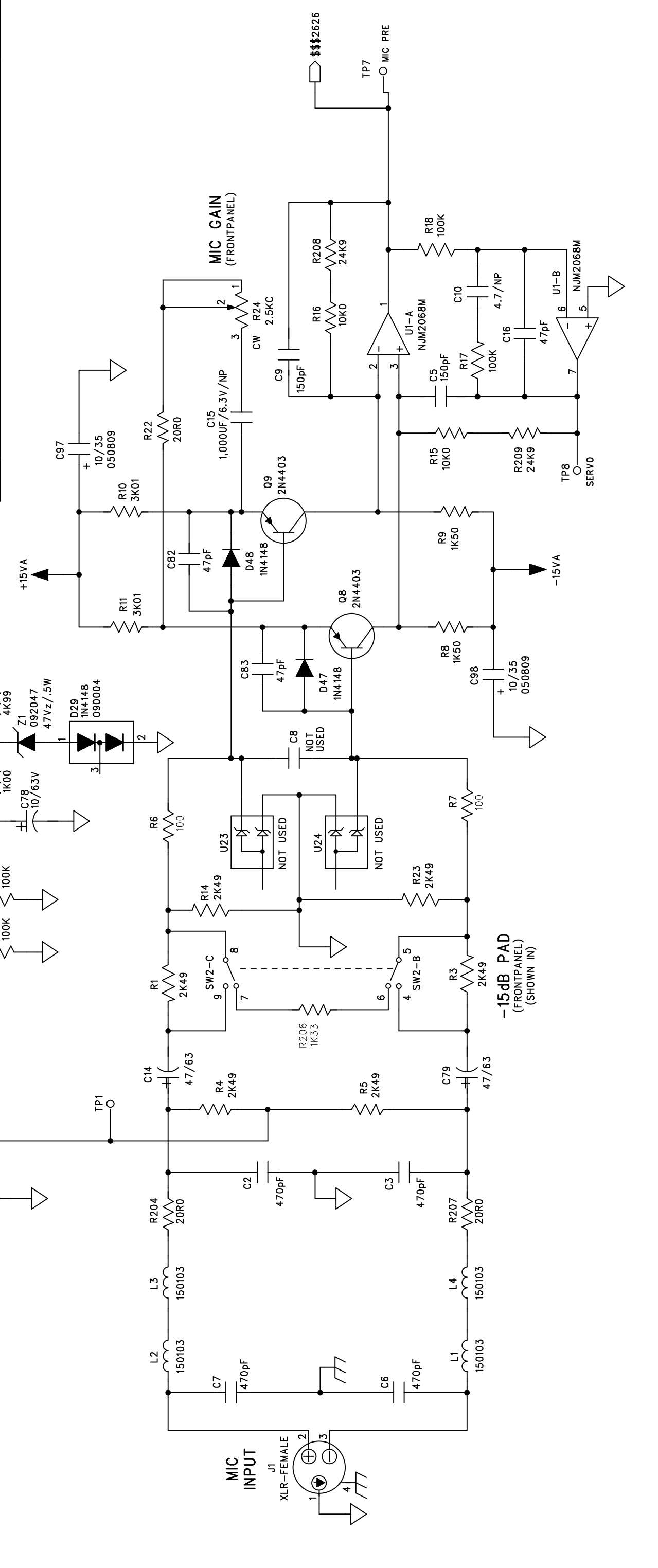
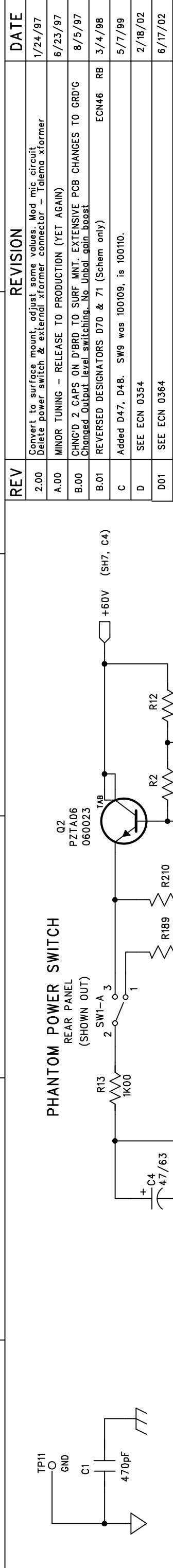


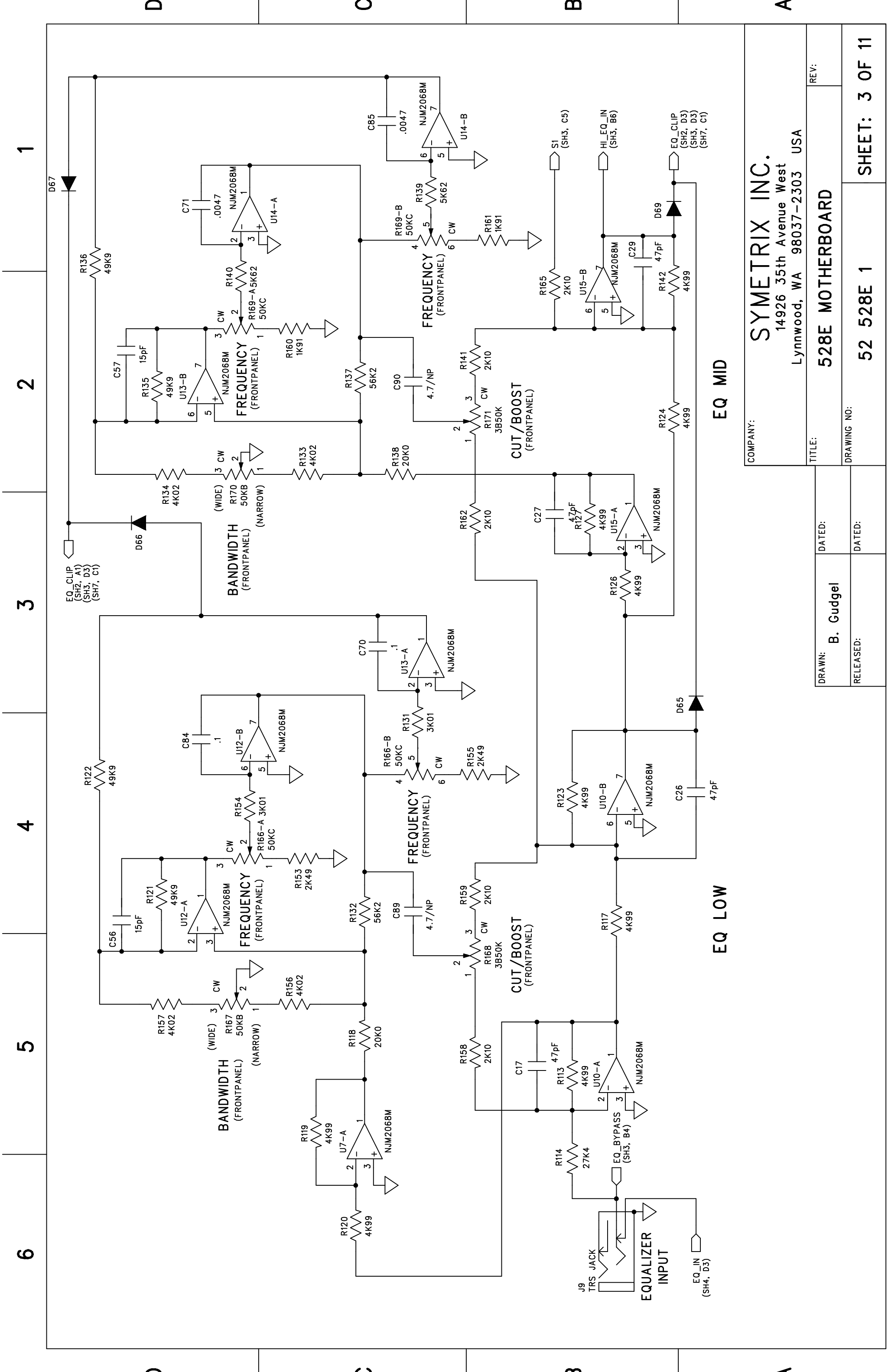
REV	REVISION	DATE
2.00	Convert to surface mount, adjust some values. Mod mic circuit Delete power switch & external xfomer connector - Talema xfomer	1/24/97
A.00	MINOR TUNING - RELEASE TO PRODUCTION (YET AGAIN)	6/23/97
B.00	CHNG'D 2 CAPS ON D'BRD TO SURF MNT. EXTENSIVE PCB CHANGES TO GRD'G Changed Output Level switching. No Unbal. gain boost	8/5/97
B.01	REVERSED DESIGNATORS D70 & 71 (Schem only)	3/4/98
C	Added D47, D48. SW9 was 100109, is 100110.	5/7/99
D	SEE ECN 0354	2/18/02
D01	SEE ECN 0364	6/17/02



COMPANY:	SYMETRIX INC. 14926 35th Avenue West Lynnwood, WA 98037-2303 USA
TITLE:	528E MOTHERBOARD
DRAWING NO.:	52 528E 1
REV.:	D01
SHEET:	1 OF 11

DRAWN:	B. Gudgel	DATED:	
RELEASED:		DATED:	

NOTES:
 All resistances in ohms. K=X1000 M=X1000000
 All capacitances in uF unless noted otherwise.
 NP = nonpolarized electrolytic.
 All diodes type 1N914 or equivalent unless noted.



COMPANY: **SYMETRIX INC.**
 14926 35th Avenue West
 Lynnwood, WA 98037-2303 USA

TITLE: **528E MOTHERBOARD**

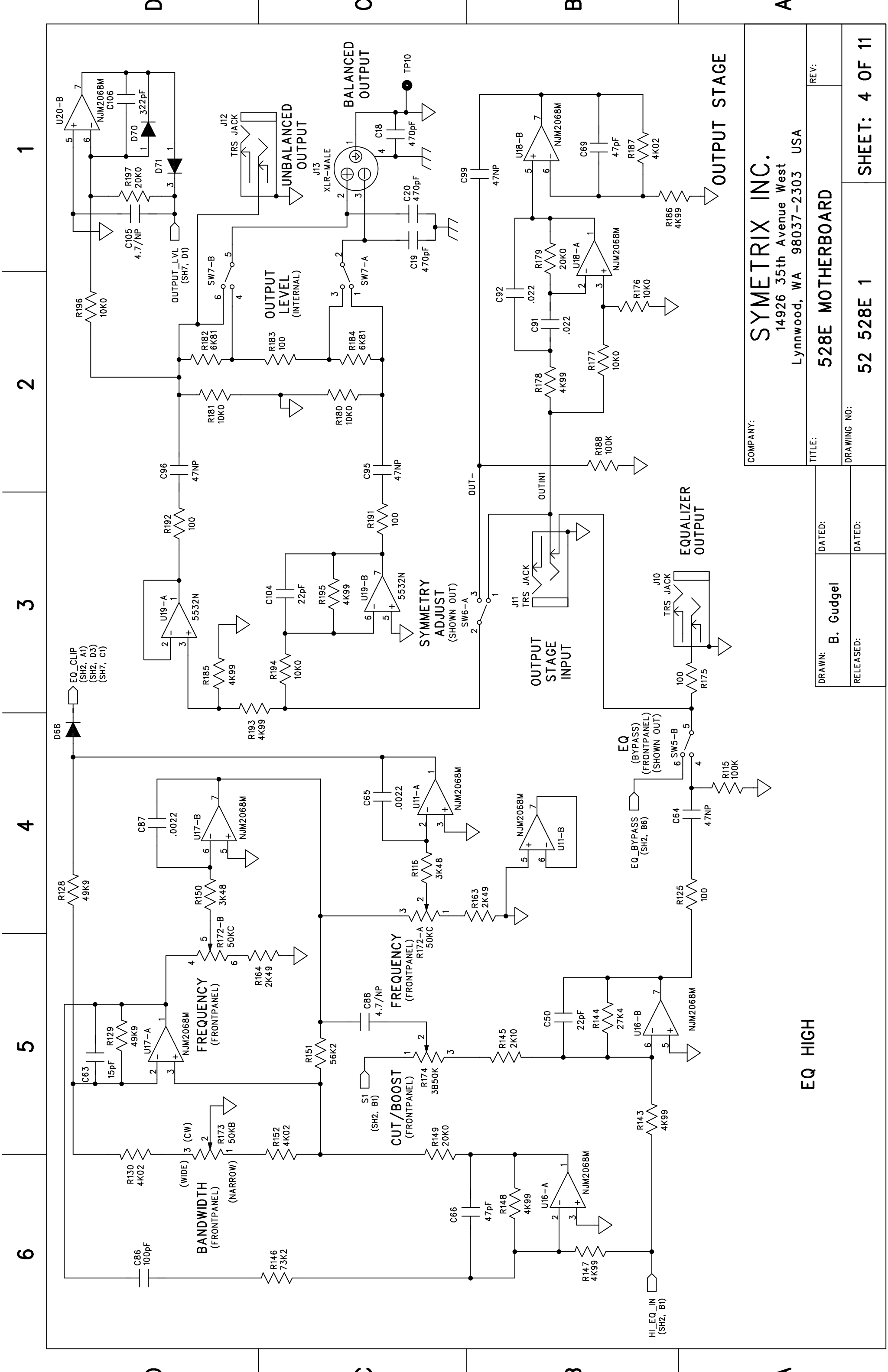
DRAWN: **B. Gudgel**

RELEASED:

DATED:

REV:

DRAWING NO: **52 528E 1**



COMPANY: **SYMMETRIX INC.**
 14926 35th Avenue West
 Lynnwood, WA 98037-2303 USA

TITLE: **528E MOTHERBOARD**

DRAWING NO: **52 528E 1**

SHEET: **4 OF 11**

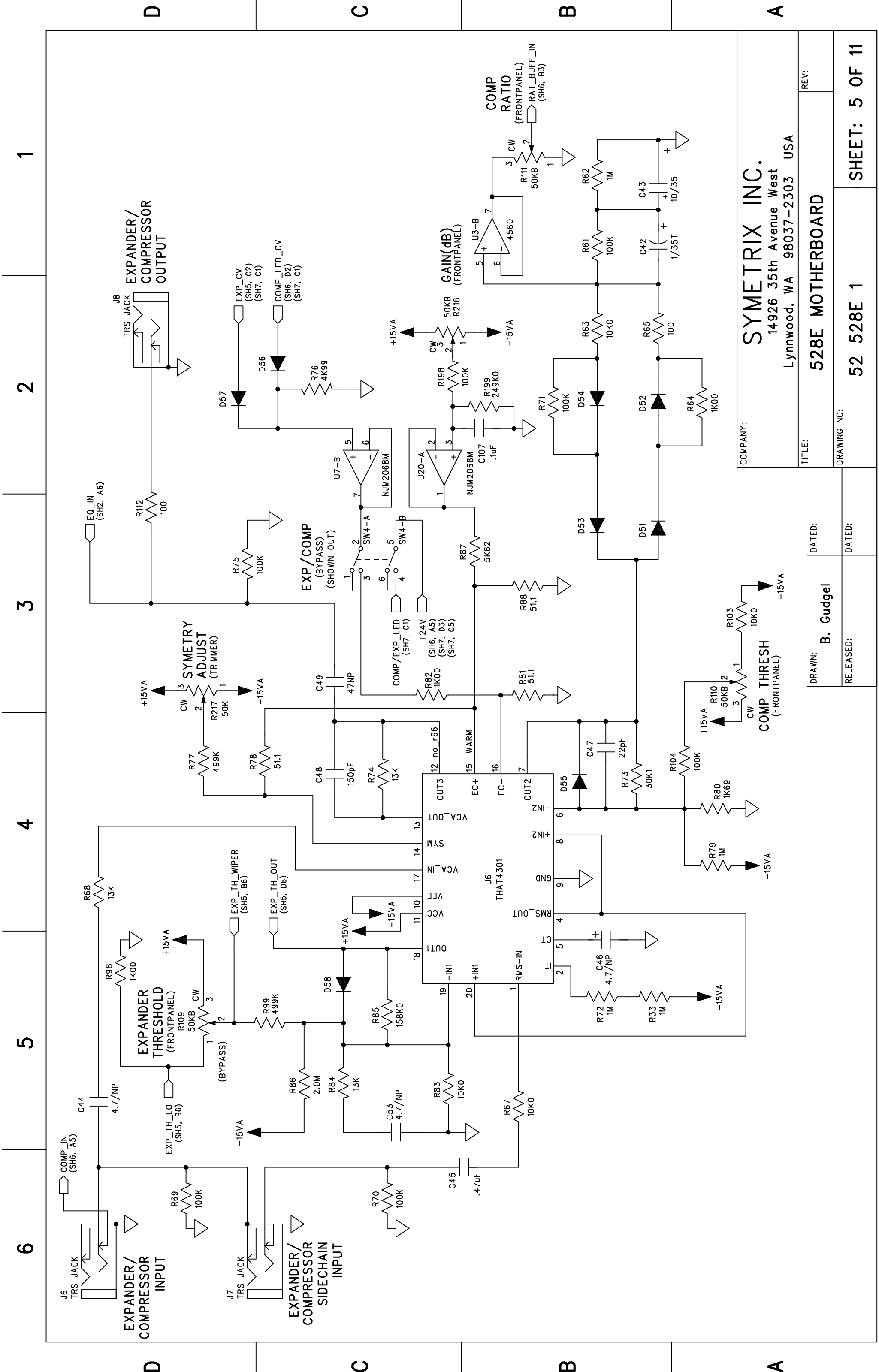
EQ HIGH

DRAWN: **B. Gudgel**

RELEASED:

DATED:

REV:



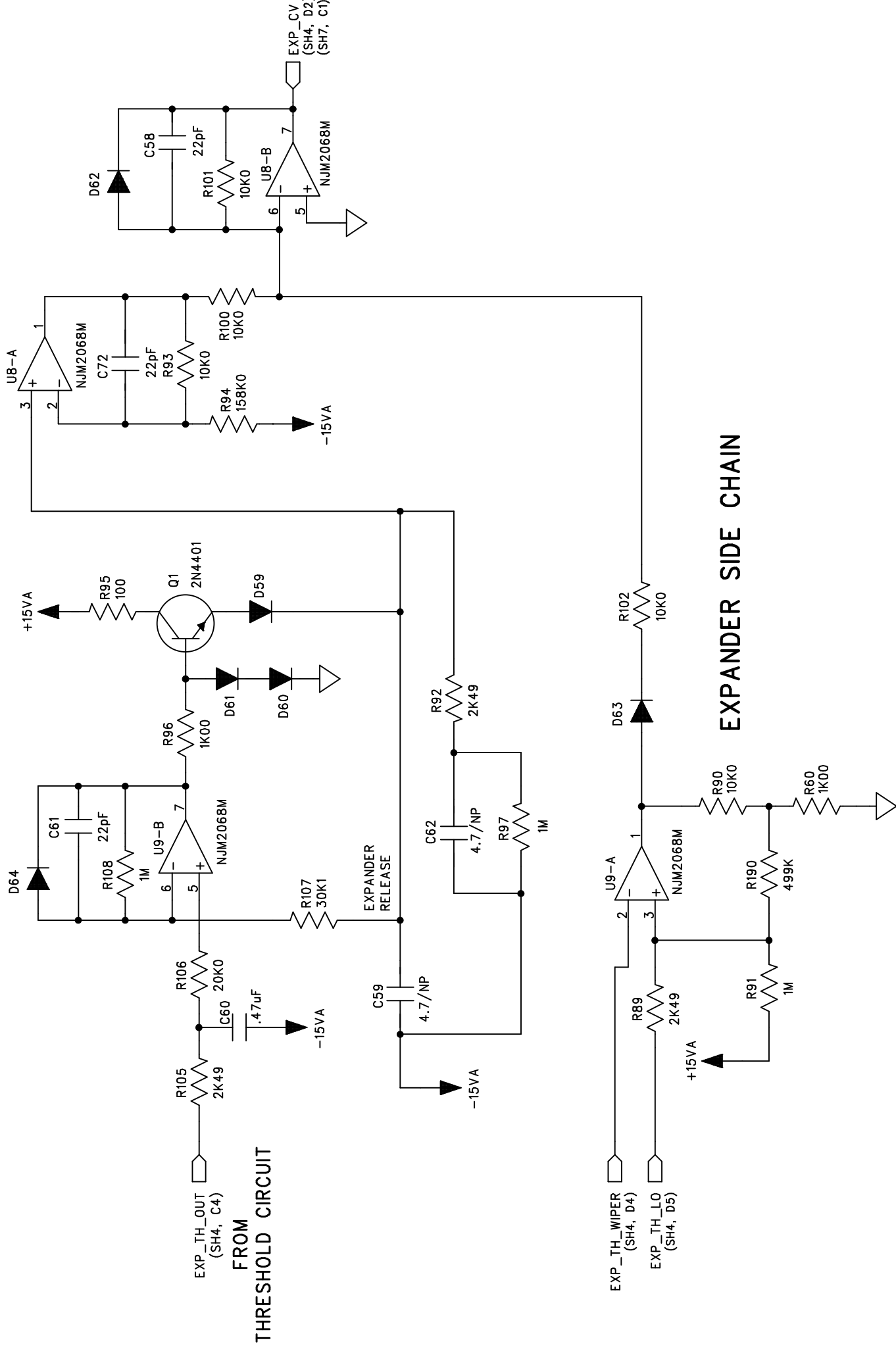
COMPANY: **SYMMETRIX INC.**
 14926 35th Avenue West
 Lynnwood, WA 98037-2303 USA

TITLE: **528E MOTHERBOARD**

DRAWING NO: **52 528E 1**

SHEET: **5 OF 11**

DRAWN: B. Gudgel	REV:
RELEASED:	
DATED:	



D

C

B

A

D

C

B

A

COMPANY: **SYMETRIX INC.**
 14926 35th Avenue West
 Lynnwood, WA 98037-2303 USA

TITLE: **528E MOTHERBOARD**

REV:

DRAWN: **B. Gudgel**

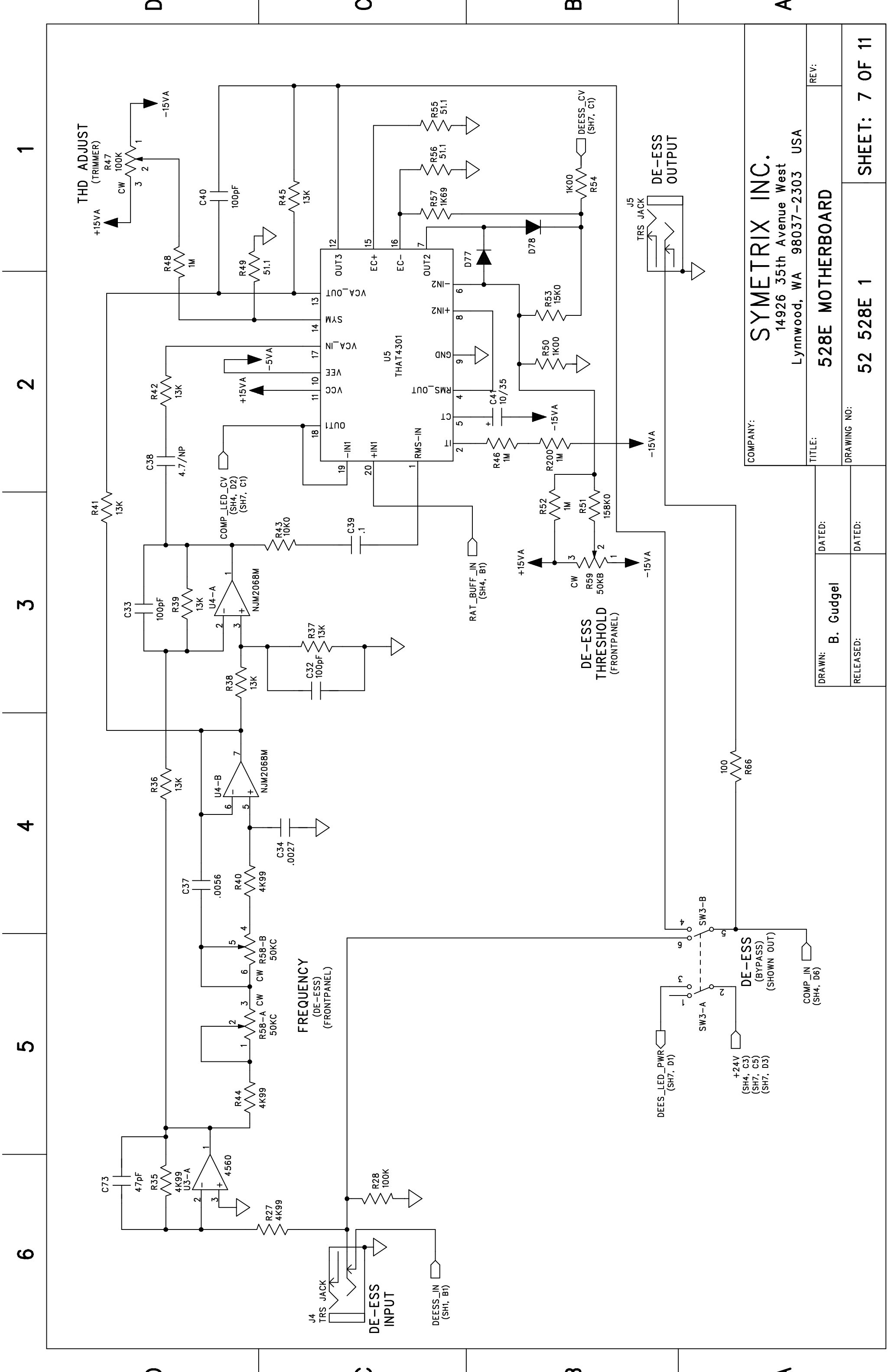
DATED:

RELEASED:

DATED:

52 528 1

SHEET: 6 OF 11



6 5 4 3 2 1

D C B A

COMPANY:
SYMETRIX INC.
 14926 35th Avenue West
 Lynnwood, WA 98037-2303 USA

TITLE:
528E MOTHERBOARD

DRAWN:
B. Gudgel

RELEASED:

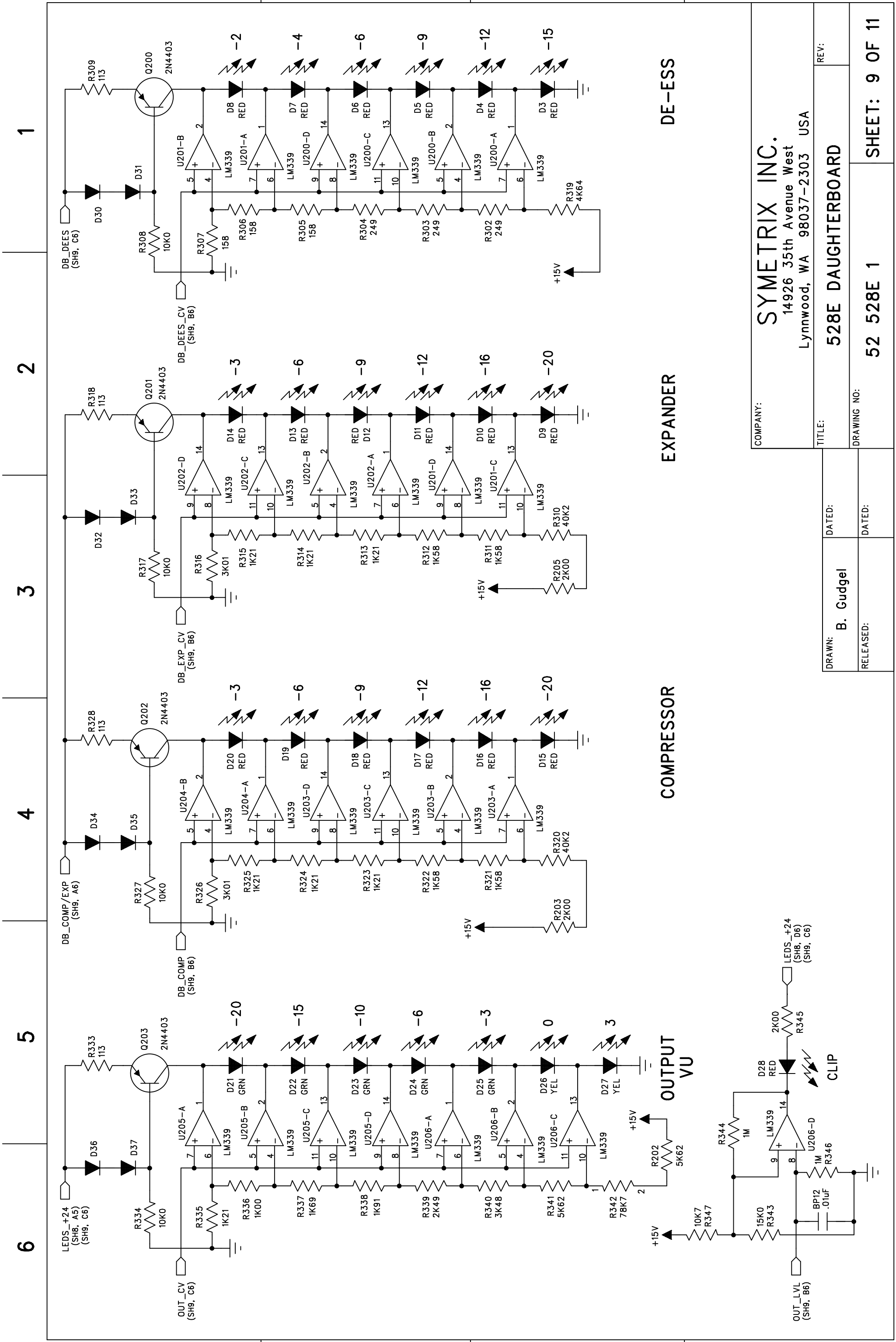
DATED:

DATED:

REV:

DRAWING NO:
52 528E 1

SHEET: 7 OF 11



DE-ESS

EXPANDER

COMPRESSOR

OUTPUT VU

DRAWN: B. Gudgeal
RELEASED:

DATED:

DATED:

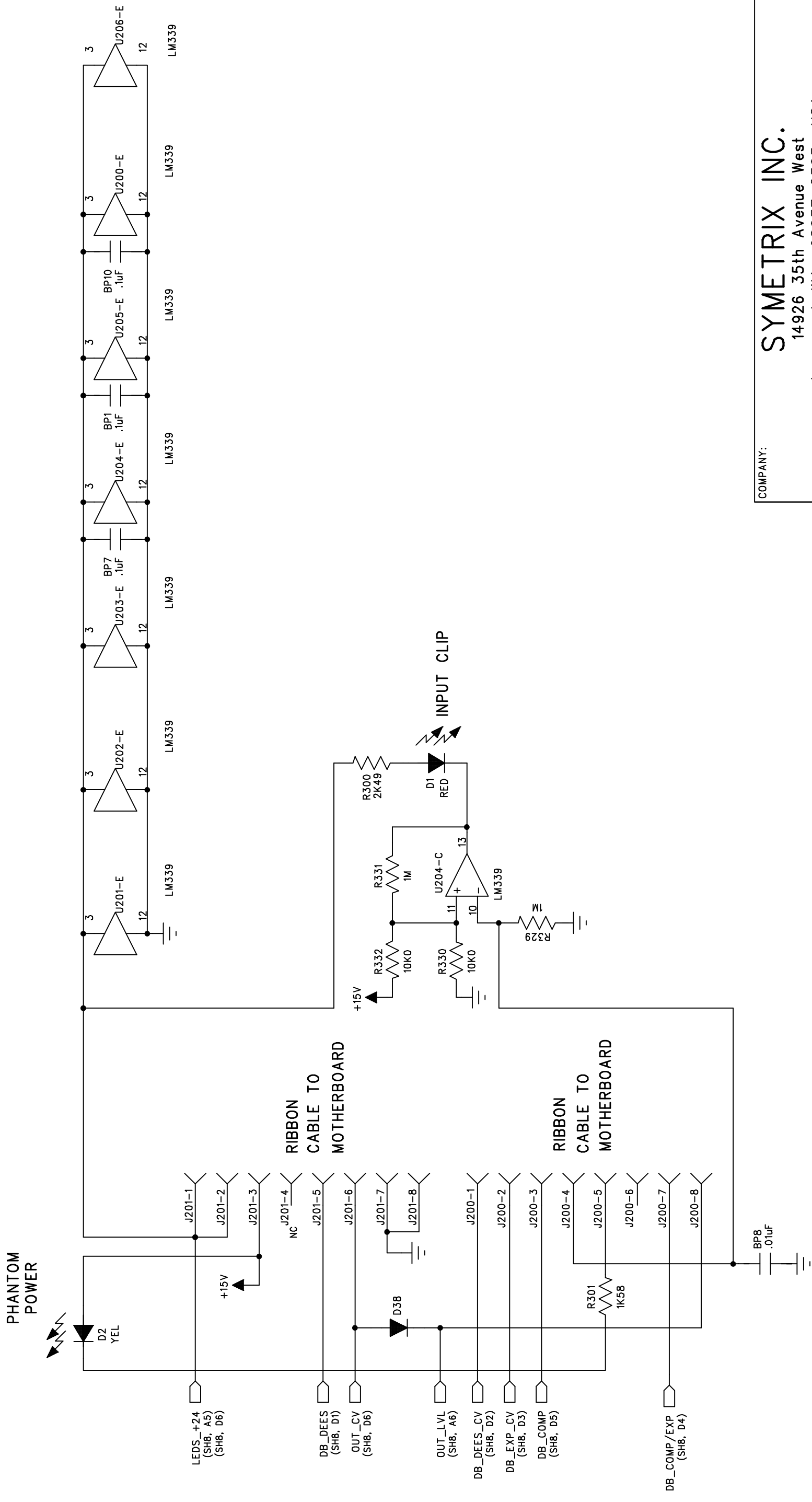
COMPANY:
SYMETRIX INC.
14926 35th Avenue West
Lynnwood, WA 98037-2303 USA

TITLE:
528E DAUGHTERBOARD

DRAWING NO:
52 528E 1

SHEET: **9 OF 11**

REV:



D

C

B

A

D

C

B

A

COMPANY:

SYMETRIX INC.
 14926 35th Avenue West
 Lynnwood, WA 98037-2303 USA

TITLE:

528E DAUGHTERBOARD

REV:

DATED:

B. Gudgel

DATED:

RELEASED:

52 528E 1

SHEET: 10 OF 11

6

5

4

3

2

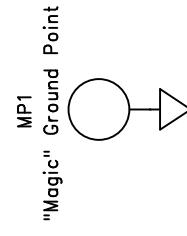
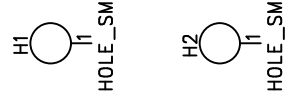
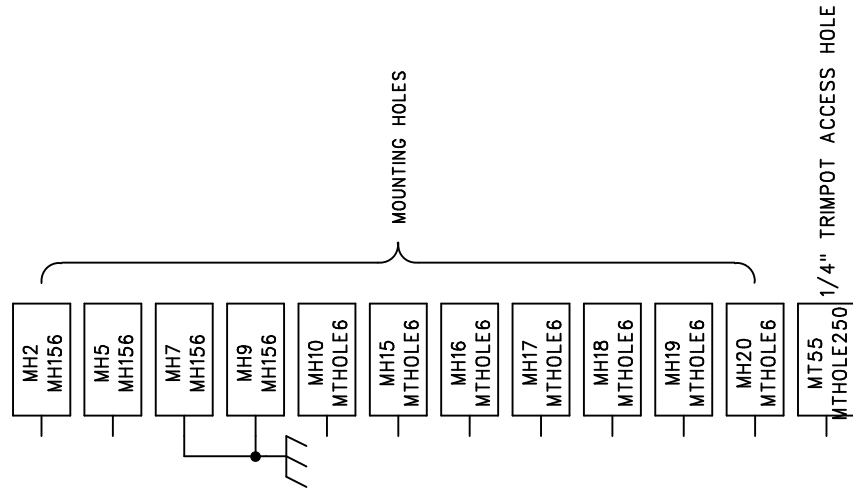
1

D

C

B

A



D

C

B

A

COMPANY: SYMETRIX INC. 14926 35th Avenue West Lynnwood, WA 98037-2303 USA	
TITLE: 528E (Junque Page)	REV:
DRAWING NO: 52 528E 1	SHEET: 11 OF 11

DRAWN:	DATED:
RELEASED:	DATED: