

COMPANY: **SYMETRIX INC.**
 4211 24th Ave W
 SEATTLE, WA 98199

TITLE: **528E MOTHERBOARD**

DRAWING NO: **021528**

SHEET: **1 OF 9**

REV: **A.0**

DRAWN: **B. Gudge**

RELEASED:

DATED:

DATED:

6

5

4

3

2

1

D

D

C

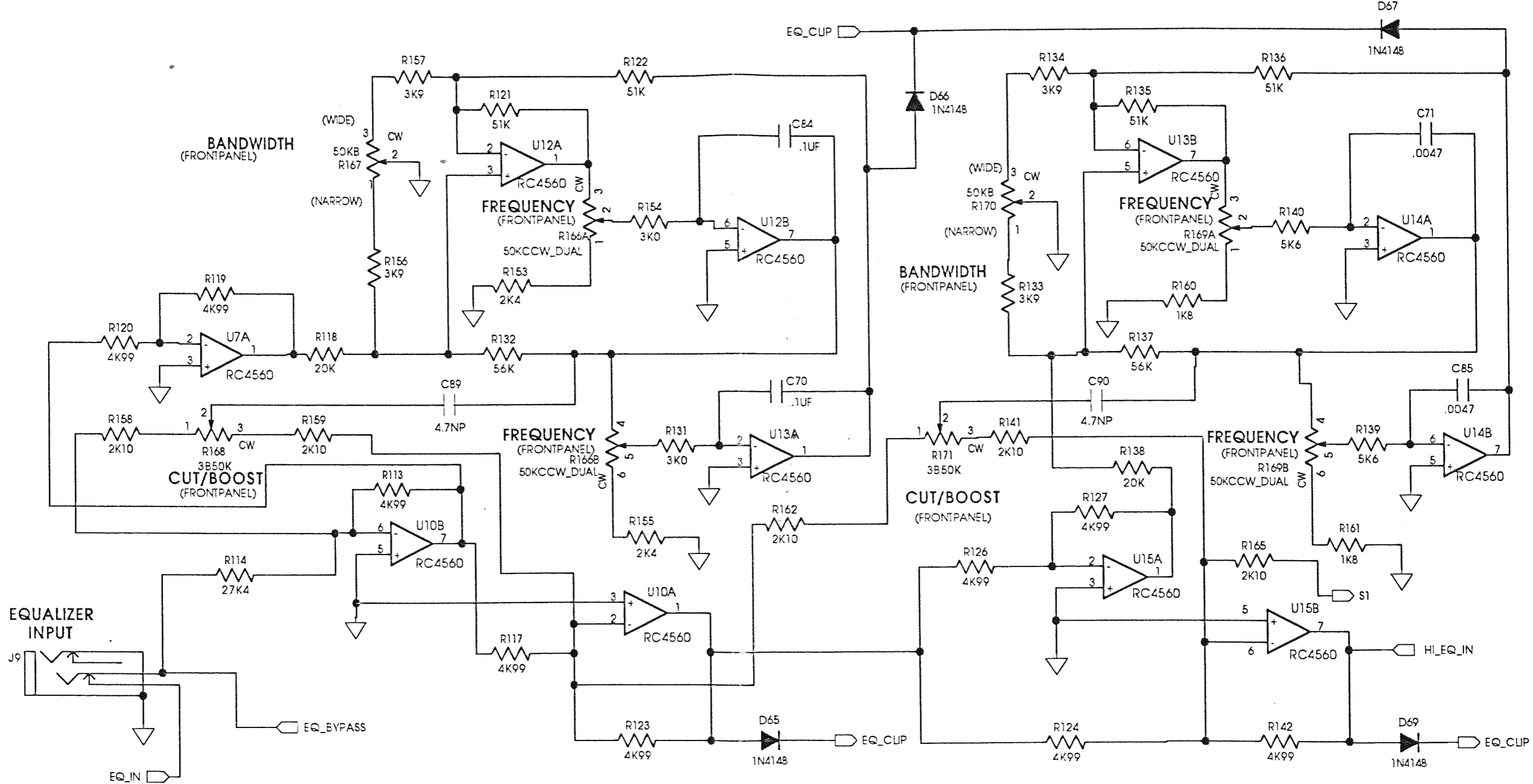
C

B

B

A

A

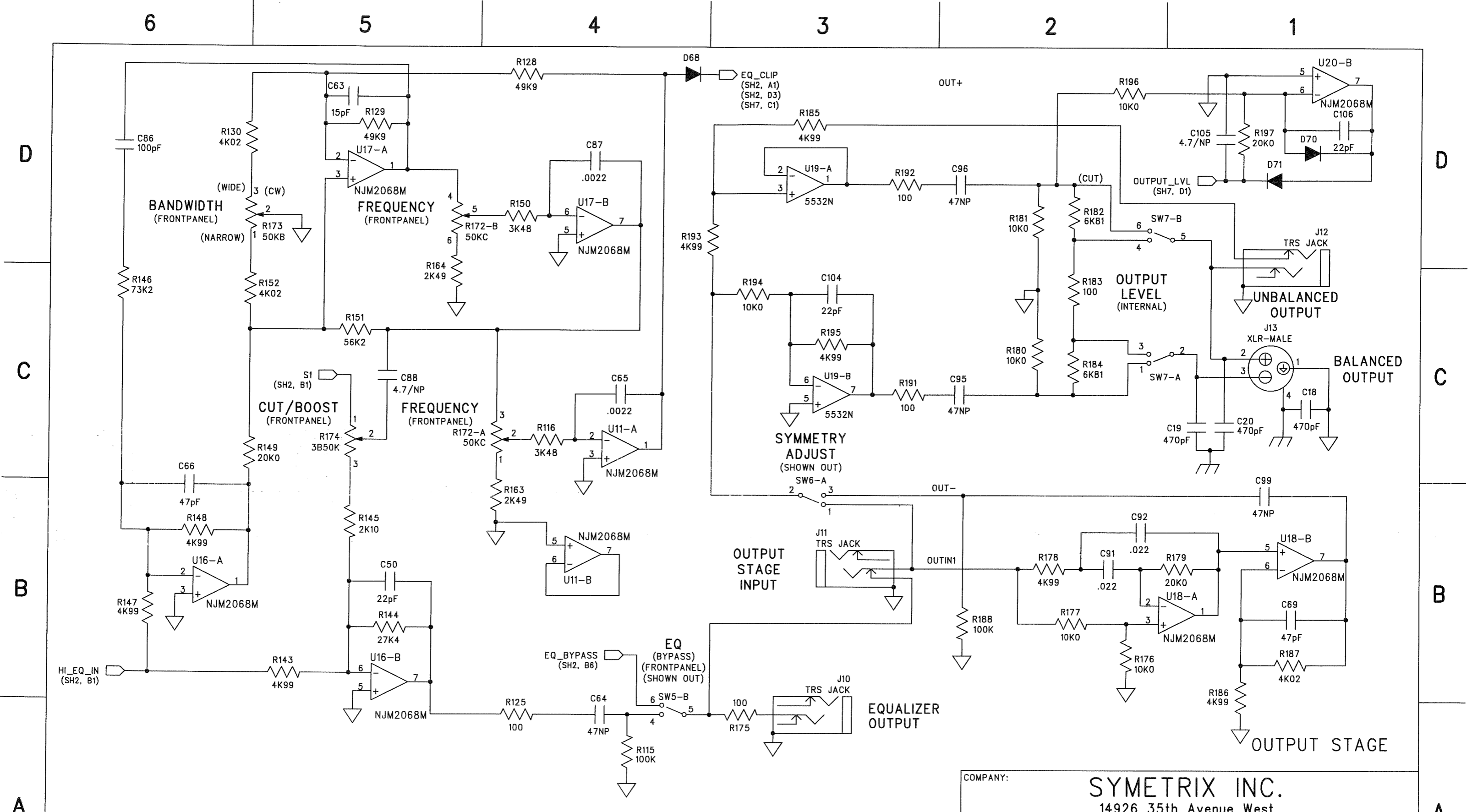


EQ LOW

EQ MID

COMPANY:		SYMETRIX INC.	
		4211 24th Ave W SEATTLE, WA 98199	
TITLE:		528E MOTHERBOARD	REV: A.0
DRAWING NO:		021528	SHEET: 2 OF 9

DRAWN: B. Gudgel	DATED:
RELEASED:	DATED:



EQ HIGH

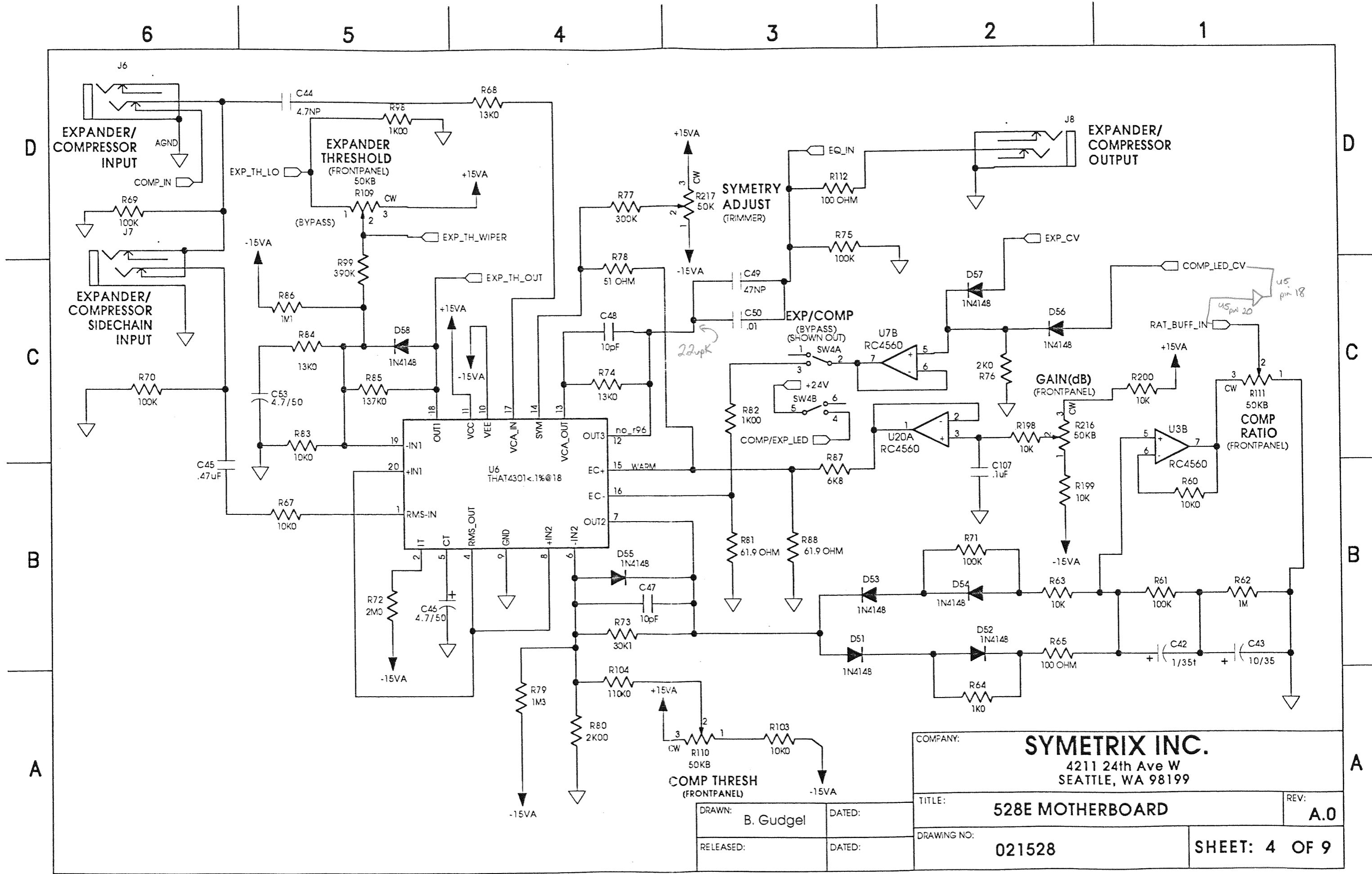
COMPANY: **SYMETRIX INC.**
 14926 35th Avenue West
 Lynnwood, WA 98037-2303 USA

TITLE: **528E MOTHERBOARD** REV: **A.00**

DRAWING NO: **52 528E 1** SHEET: **3 OF 9**

DRAWN: **B. Gudgel** DATED:

RELEASED: DATED:

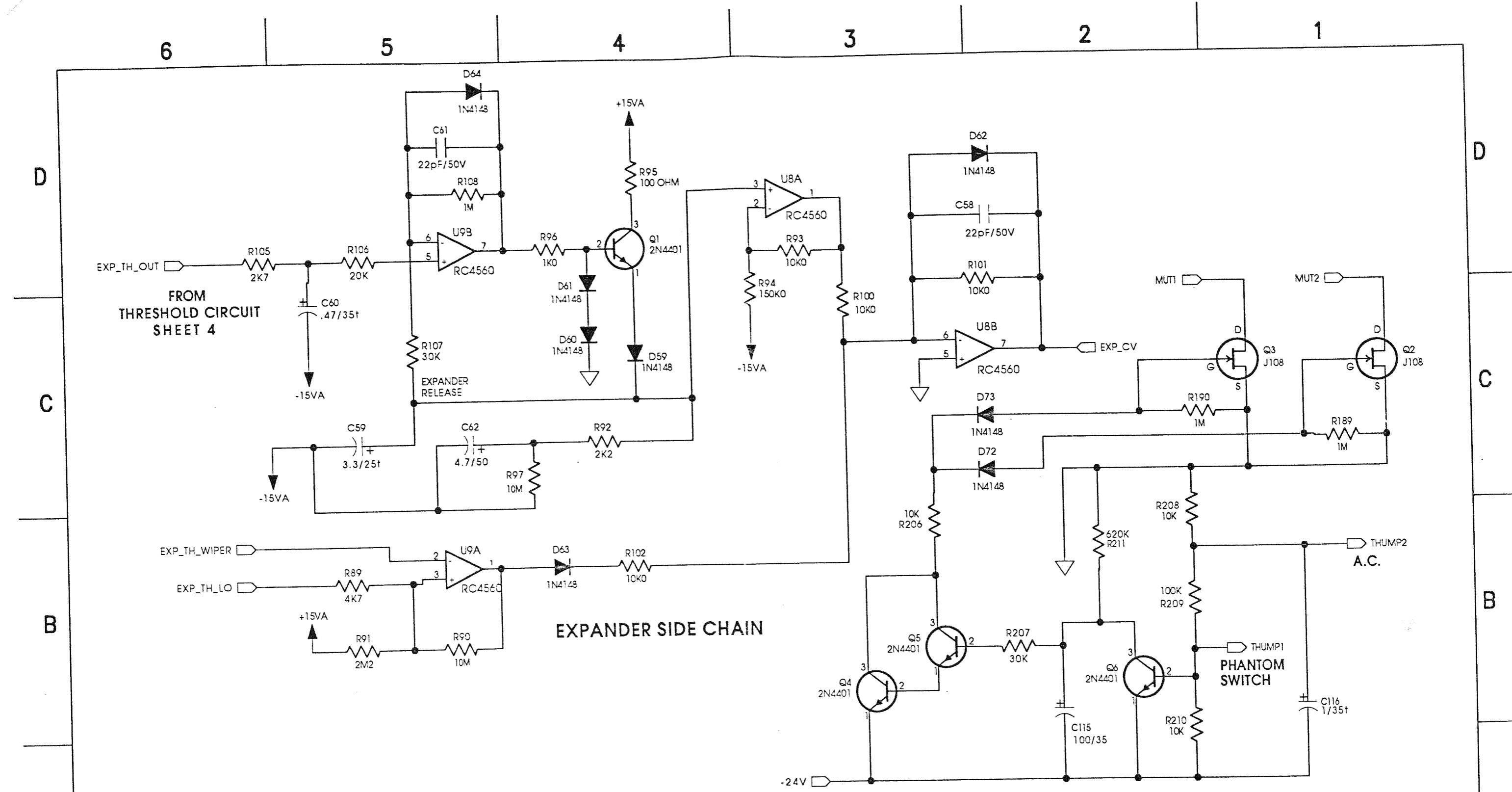


COMPANY: **SYMETRIX INC.**
 4211 24th Ave W
 SEATTLE, WA 98199

TITLE: **528E MOTHERBOARD** REV: **A.0**

DRAWING NO: **021528** SHEET: **4 OF 9**

DRAWN: **B. Gudge** DATED: _____
 RELEASED: _____ DATED: _____



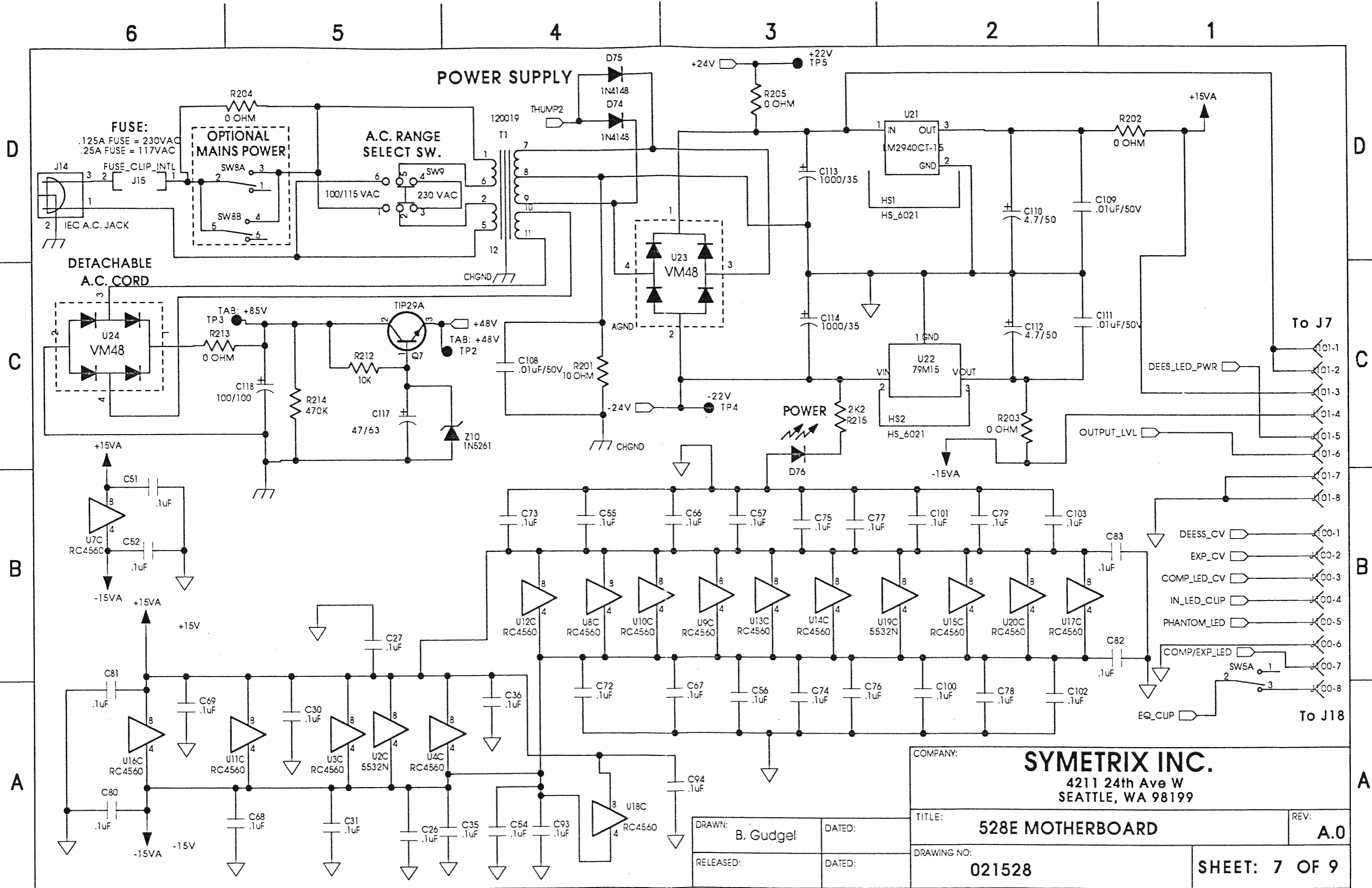
COMPANY: **SYMETRIX INC.**
 4211 24th Ave W
 SEATTLE, WA 98199

TITLE: **528E MOTHERBOARD** REV: **A.0**

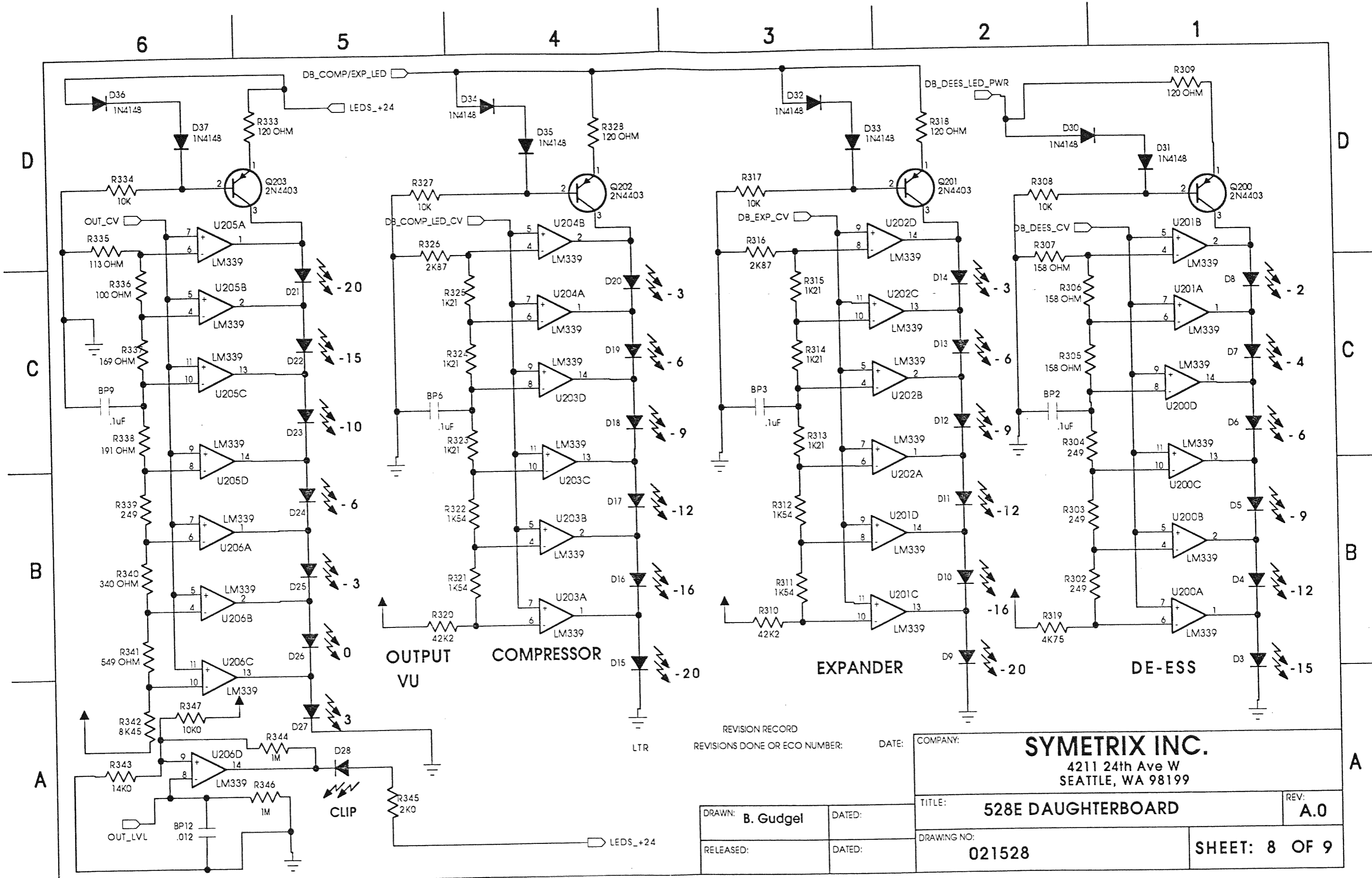
DRAWING NO: **021528** SHEET: **5 OF 9**

DRAWN: **B. Gudgel** DATED: _____

RELEASED: _____ DATED: _____



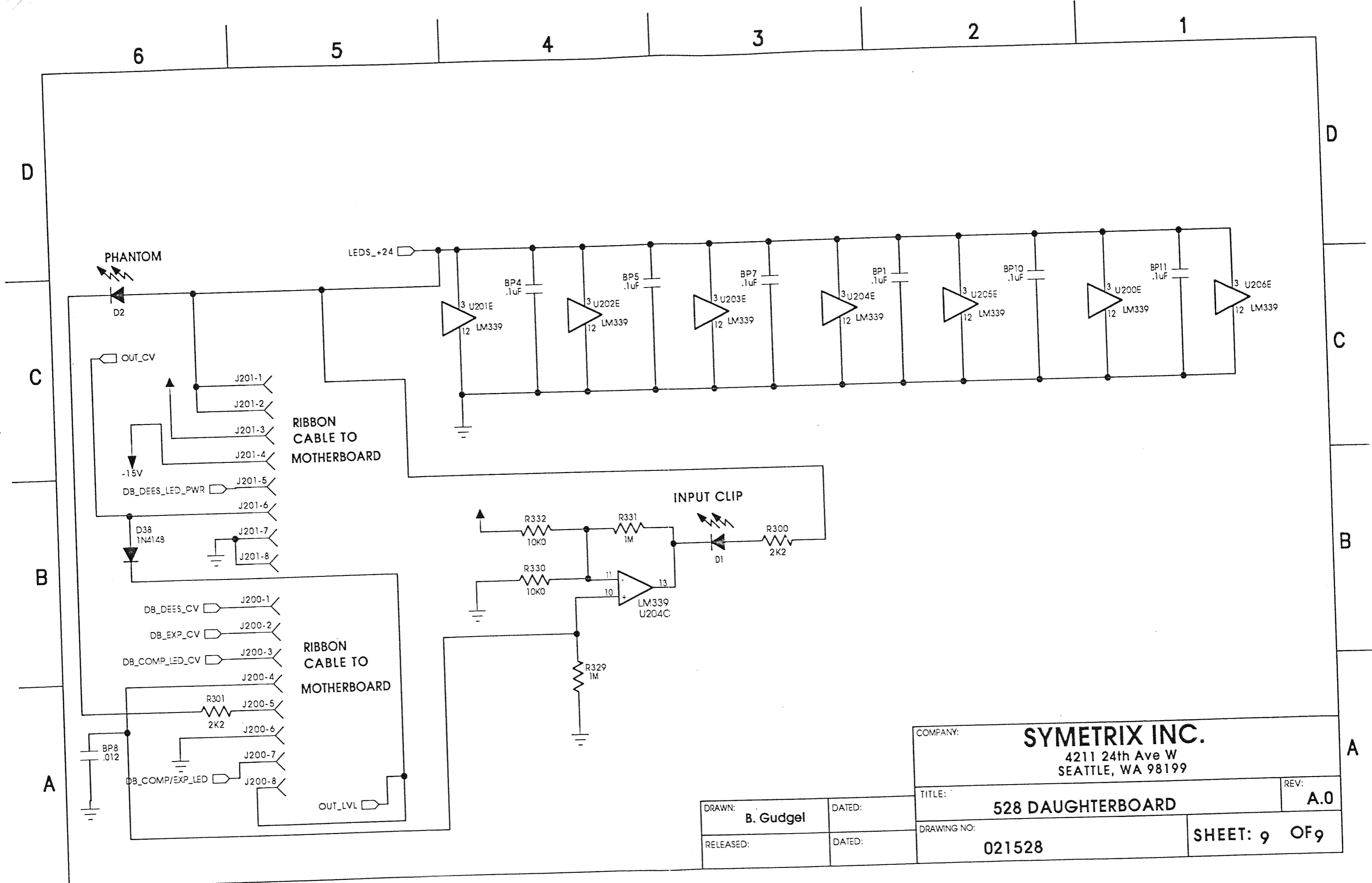
COMPANY:		SYMETRIX INC.	
		4211 24th Ave W SEATTLE, WA 98199	
DRAWN:		TITLE:	
B. Gudgel		528E MOTHERBOARD	
RELEASED:		DRAWING NO:	
		021528	
DATED:		REV:	
		A.0	
SHEET: 7 OF 9			



REVISION RECORD
 REVISIONS DONE OR ECO NUMBER: DATE:

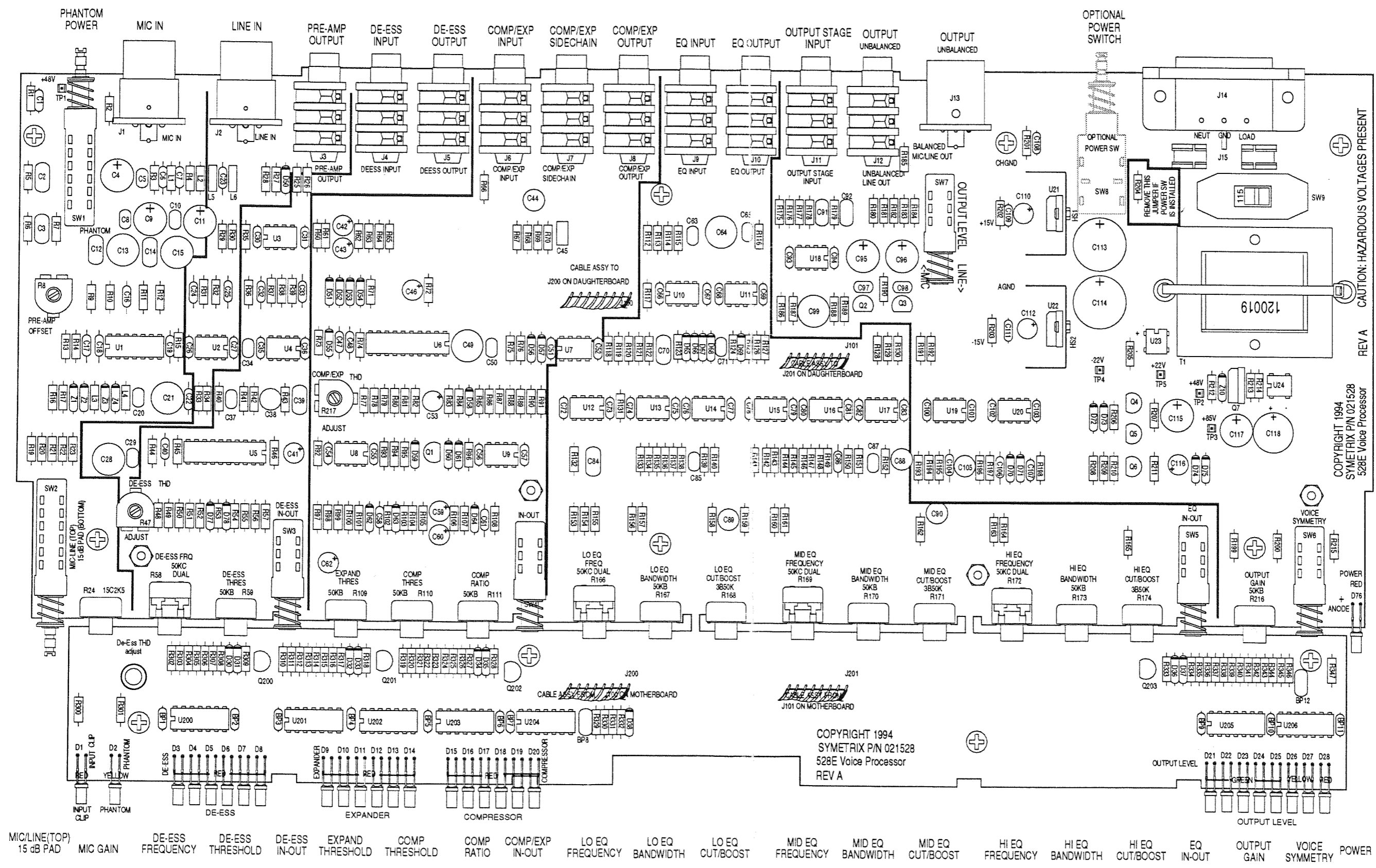
COMPANY: SYMETRIX INC. 4211 24th Ave W SEATTLE, WA 98199	
TITLE: 528E DAUGHTERBOARD	REV: A.0
DRAWING NO: 021528	SHEET: 8 OF 9

DRAWN: B. Gudgel	DATED:
RELEASED:	DATED:



COMPANY:		SYMETRIX INC.	
		4211 24th Ave W SEATTLE, WA 98199	
TITLE:		528 DAUGHTERBOARD	REV: A.0
DRAWING NO:		021528	SHEET: 9 OF 9

DRAWN: B. Gudgel	DATED:
RELEASED:	DATED:



Symetrix

TITLE 528E MOTHERBOARD ASSEMBLY DRAWING
 DWG NO. 528E_1XX.ASY
 REV. A

DATE 1.12.95
 DRAWN BY James Husted

REV#:	REVISIONS:	DATE	ENG.
1	FIRST TRY AFTER BOARD REV	1.12.95	MANF.
A	FIRST PRODUCTION RELEASE	2.15.95	PURCH.
			DATE PRINTED
			DRAWN BY