

REV	REVISION	DATE
2.00	Convert to surface mount, adjust some values. Mod mic circuit. Delete boarder switch & external resistor/condenser - Plasma Xformer.	1/24/97
A.00	MINOR TUNING - RELEASE TO PRODUCTION (YET AGAIN)	6/23/97
B.00	CHNGD 2 CAPS ON D'BRD TO SURF MNT. EXTENSIVE PCB CHANGES TO GRD/G	8/5/97

COMPANY: **SYMETRIX INC.**
 14926 35th Avenue West
 Lynnwood, WA 98037-2303 USA

TITLE: **528E MOTHERBOARD** REV: **B.00**

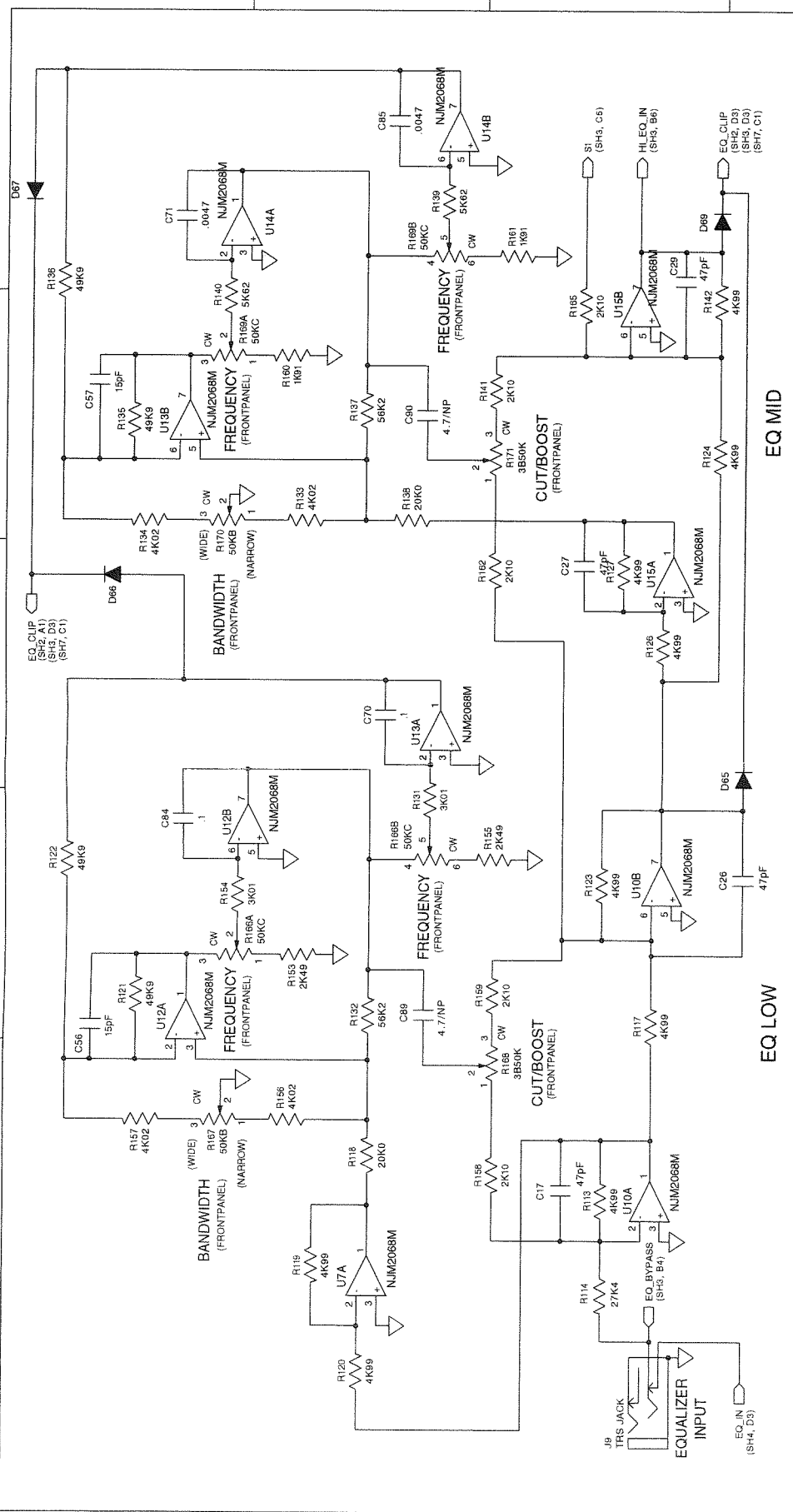
DRAWN: **B. Gudgel** DATED: _____

RELEASED: _____ DATED: _____

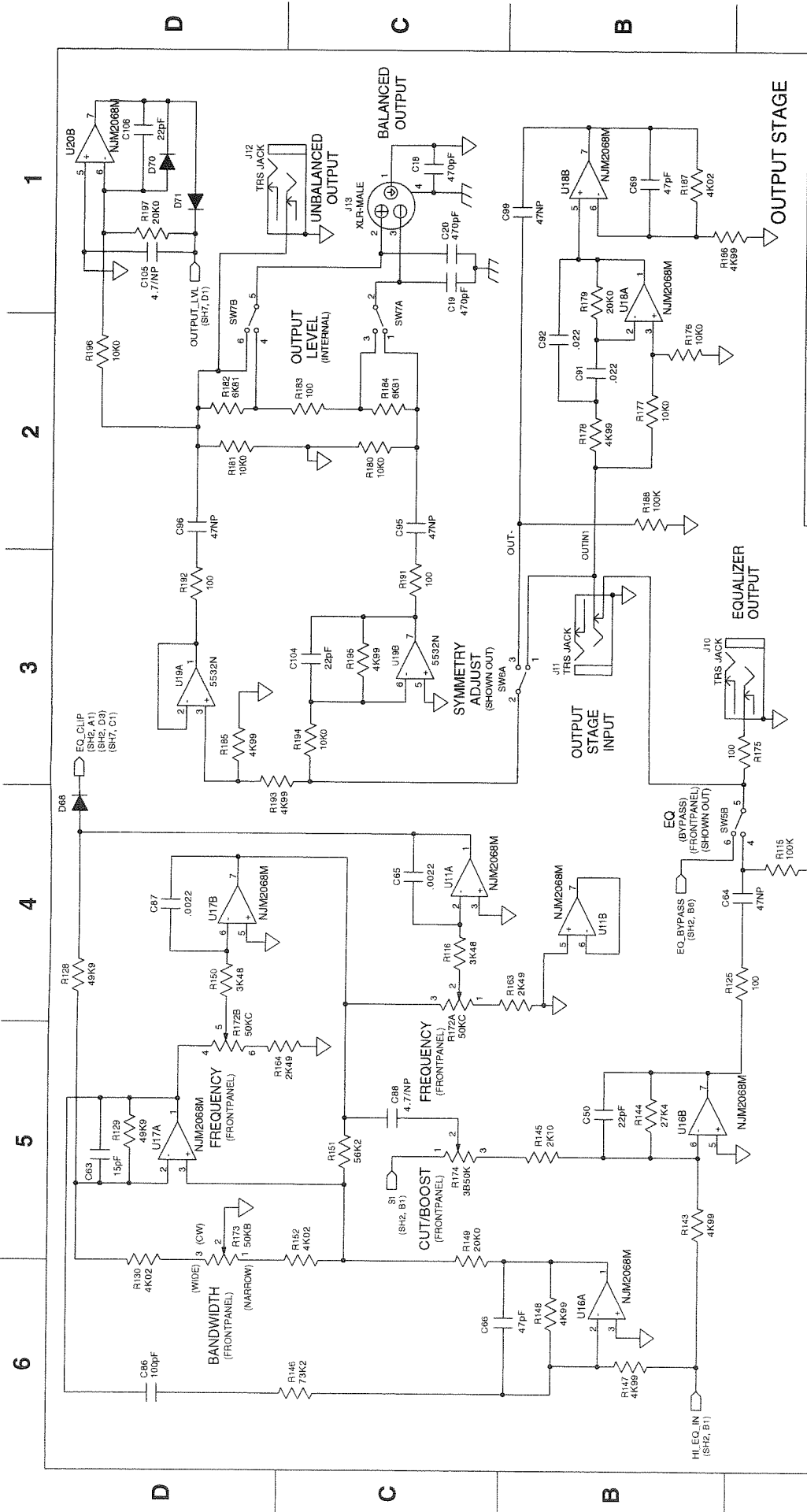
DRAWING NO: **52 528E 1** SHEET: **1 OF 9**

NOTES:
 All resistances in ohms. K=X1000 M=X1000000
 All capacitances in uF unless noted otherwise.
 NP = nonpolarized electrolytic.
 All diodes type 1N514 or equivalent unless noted.

6 5 4 3 2 1



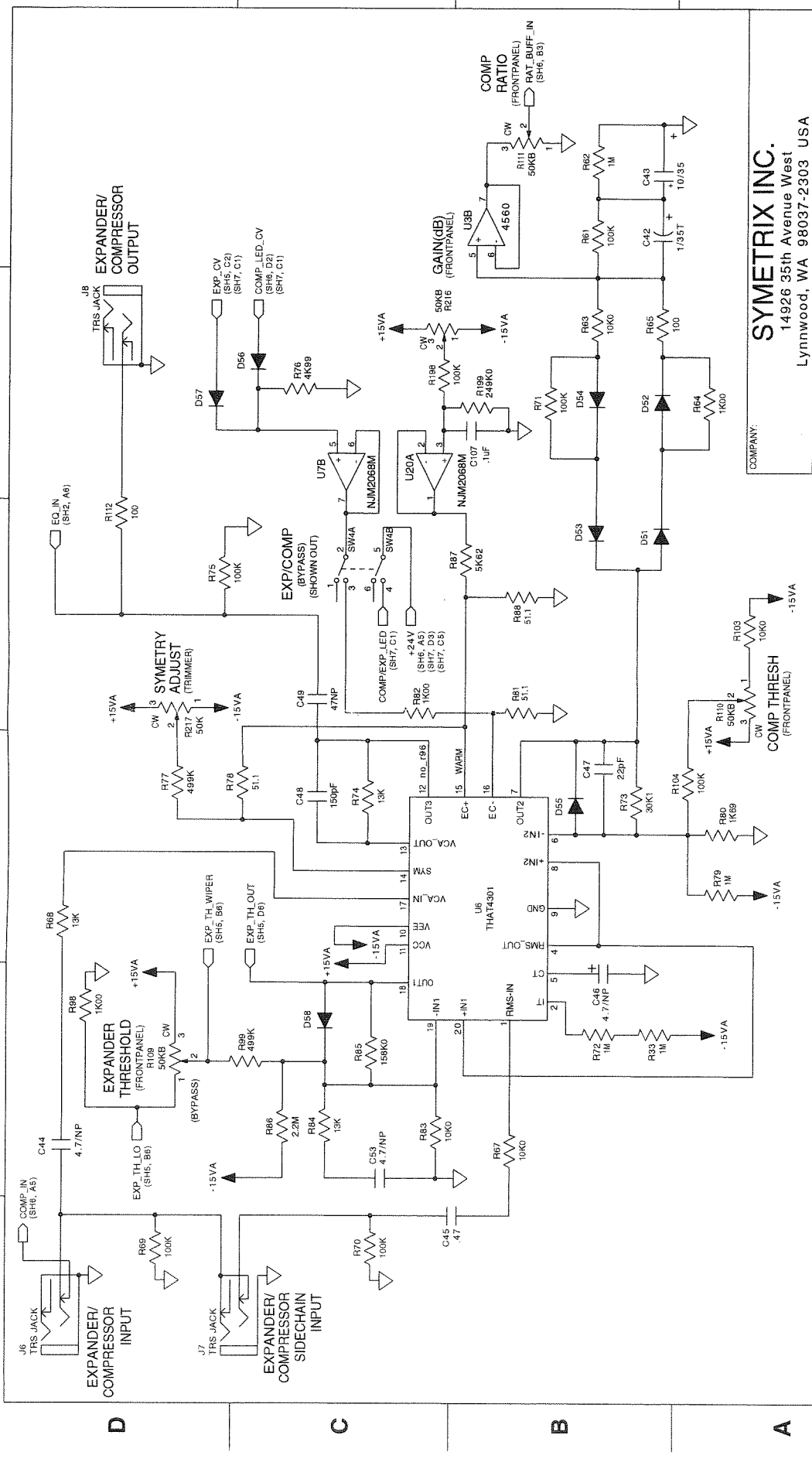
COMPANY:		SYMETRIX INC.	
		14926 35th Avenue West Lynnwood, WA 98037-2303 USA	
TITLE:		528E MOTHERBOARD	
DRAWN:		B. Gudgel	
DATED:			
RELEASED:			
DRAWING NO:		52 528E 1	
REV:		B.00	
SHEET:		2 OF 9	



COMPANY:		SYMETRIX INC.	
		14926 35th Avenue West Lynnwood, WA 98037-2303 USA	
TITLE:		528E MOTHERBOARD	
DRAWN:		B. Gudgel	
DATED:			
RELEASED:			
DRAWING NO.:		52 528 E 1	
REV:		B.00	
SHEET:		3 OF 9	

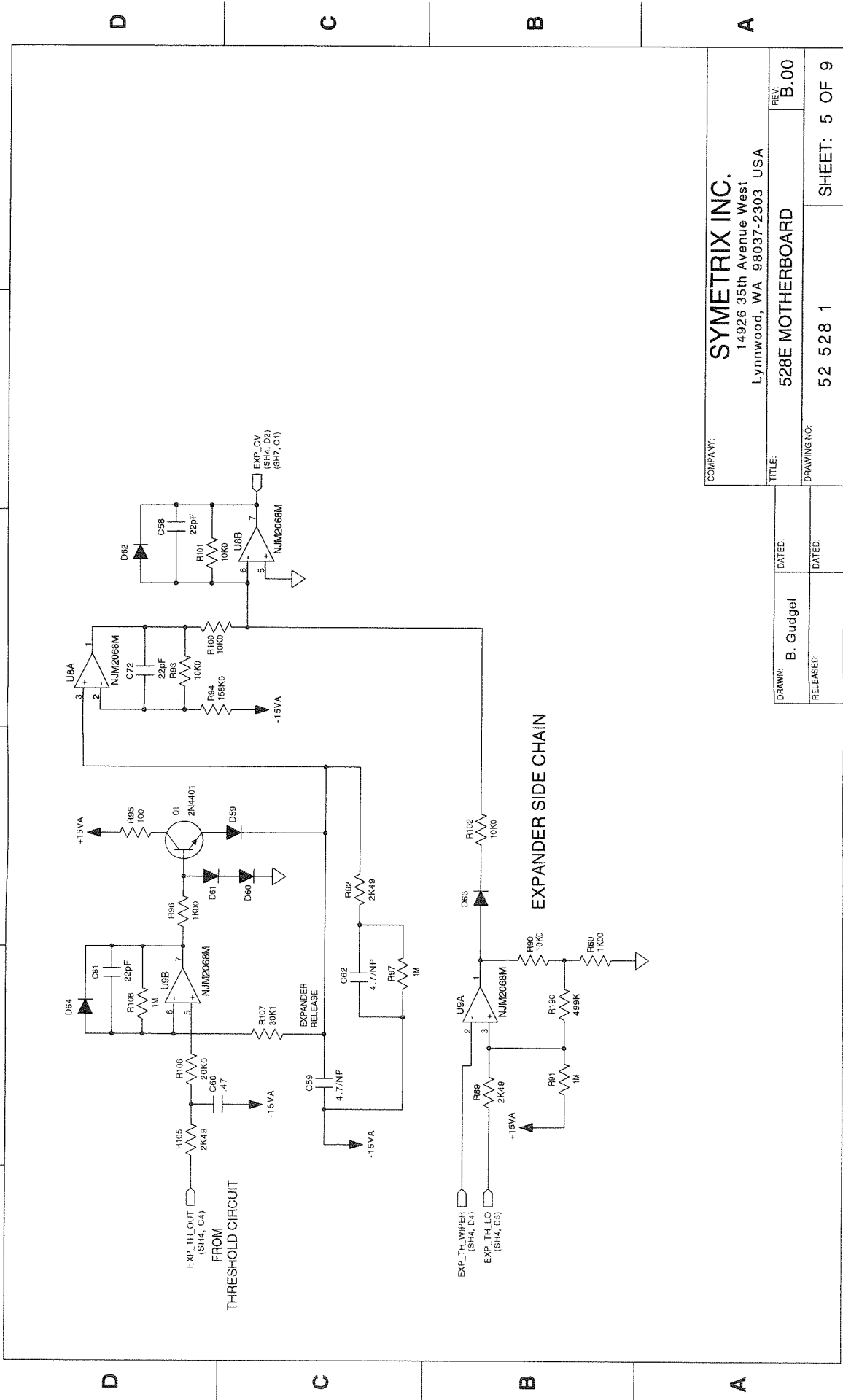
EQ HIGH

6 5 4 3 2 1



COMPANY: SYMETRIX INC. 14926 35th Avenue West Lynnwood, WA 98037-2303 USA	
TITLE: 528E MOTHERBOARD	REV: B.00
DRAWN: B. Gudgel	DATED:
RELEASED:	DATED:
DRAWING NO.: 52 528E 1	
SHEET: 4 OF 9	

6 5 4 3 2 1



COMPANY:		SYMETRIX INC.	
		14926 35th Avenue West Lynnwood, WA 98037-2303 USA	
TITLE:		528E MOTHERBOARD	
DRAWING NO:		52 528 1	
REV:		B.00	
DRAWN:		B. Gudgel	
RELEASED:			
DATED:			
DATED:			
		SHEET: 5 OF 9	

D

C

B

A

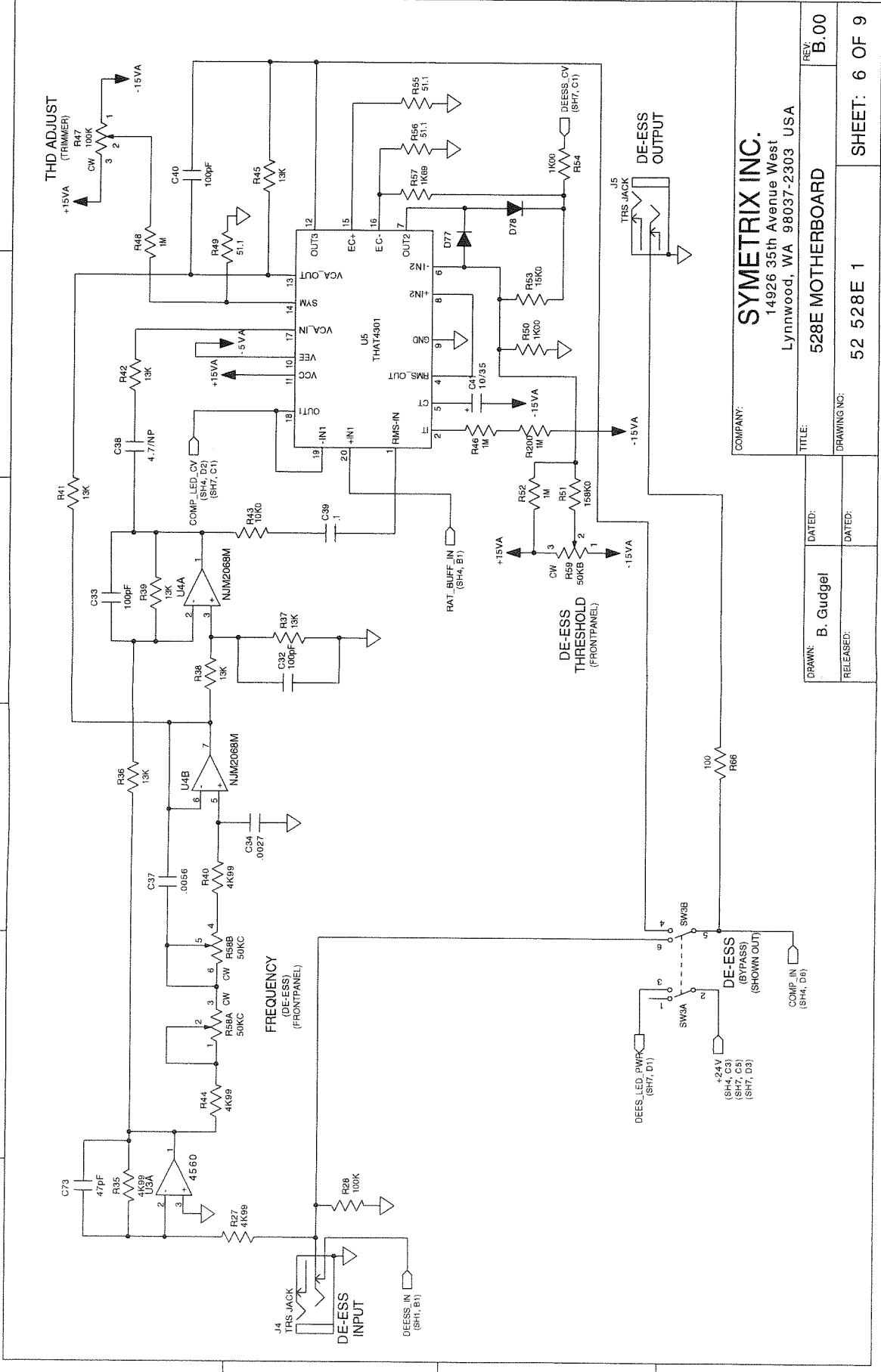
D

C

B

A

6 5 4 3 2 1



COMPANY:		SYMETRIX INC.	
TITLE:		528E MOTHERBOARD	
DRAWN:		B. Gudgel	
DATED:		DATE:	
RELEASED:		DATE:	
DRAWING NO:		52 528E 1	
REV:		B.00	
SHEET:		6 OF 9	

6 5 4 3 2 1

