

6

5

4

3

2

1

REVISION RECORD		
LTR	REVISIONS DONE OR ECO NUMBER:	DATE:

D

D

C

C

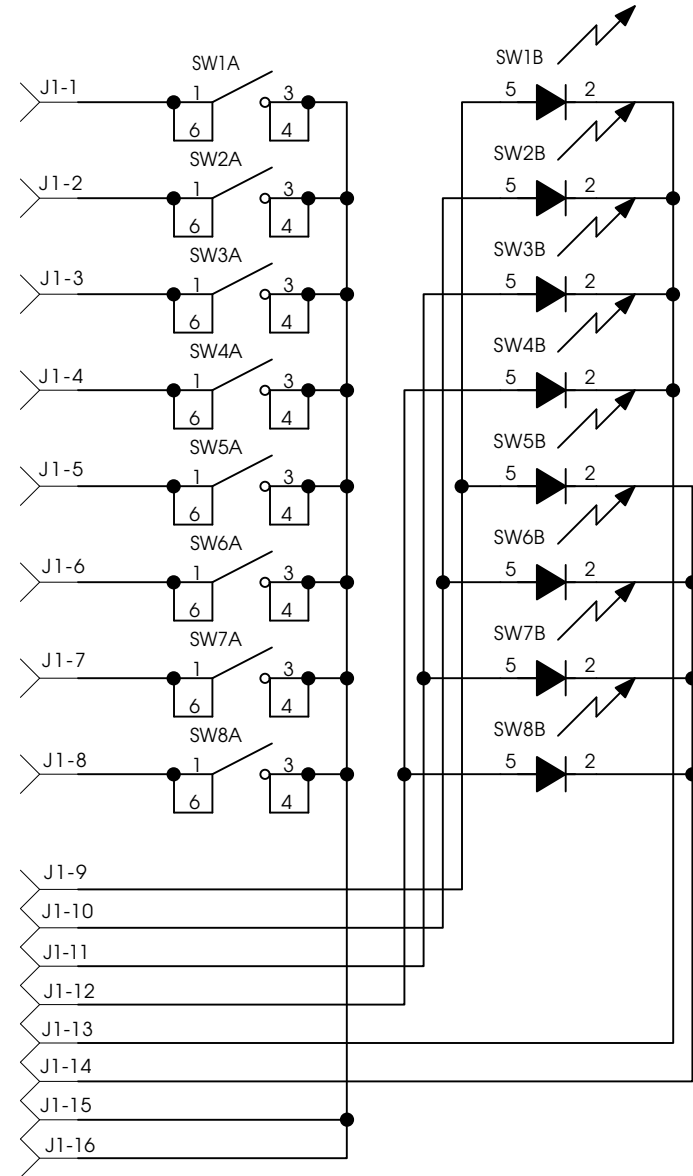
B

B

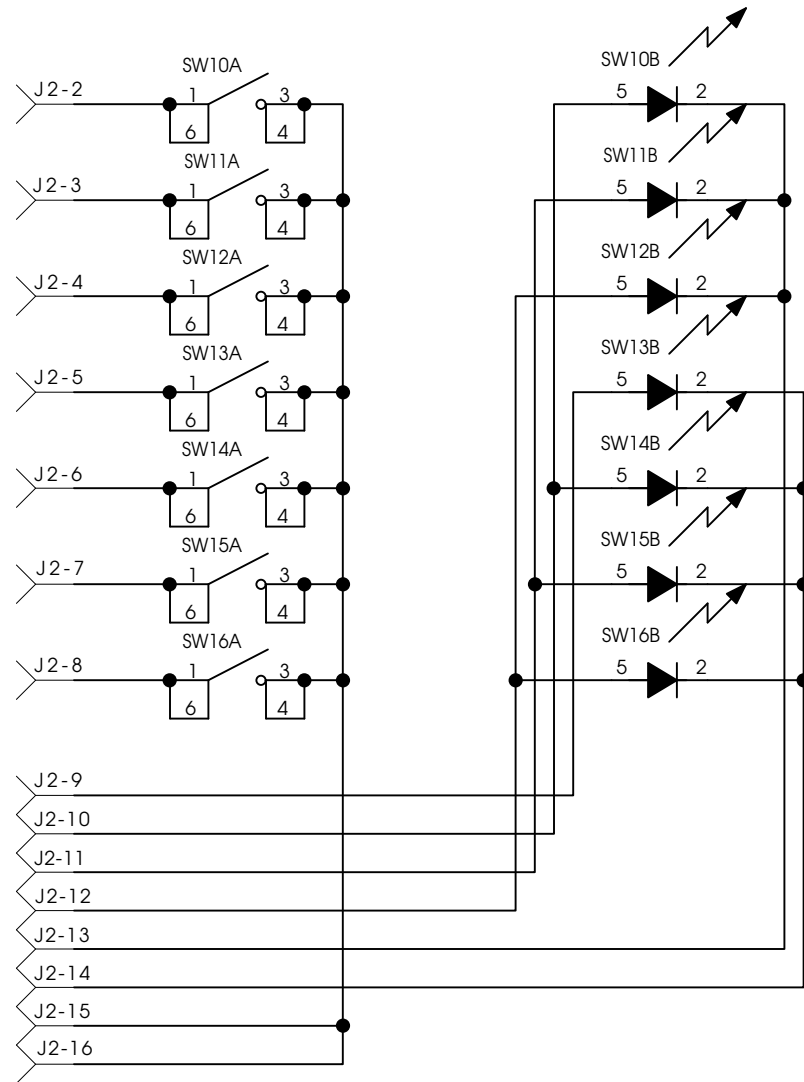
A

A

CONNECTED TO J1 ON ASSEMBLY 024006



CONNECTED TO J2 ON ASSEMBLY 024006



COMPANY:		SYMETRIX INC.	
		14926 35th Ave. W. Lynnwood, WA 98037	
DRAWN:		TITLE:	
CH / ARG		601 FRONT PANEL SWITCHES	
DATED:		REV:	
12/04/92		A.0.0	
RELEASED:		DRAWING NO:	
		024001	
DATED:		SHEET: 1 OF 2	

6

5

4

3

2

1

D

D

C

C

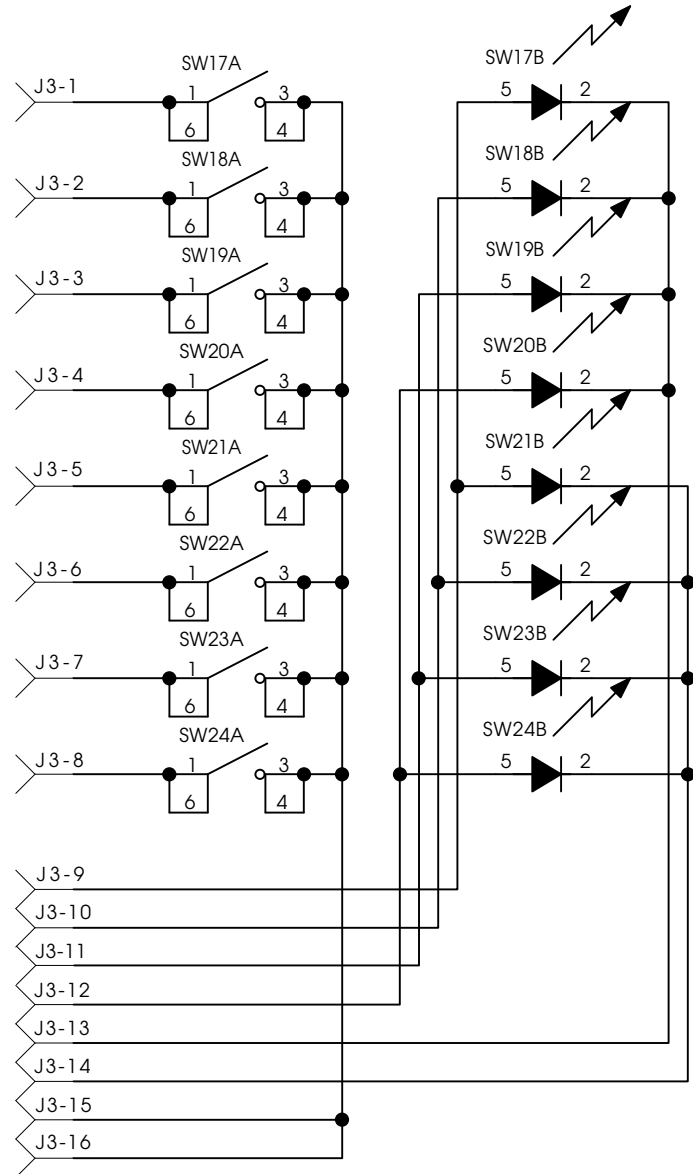
B

B

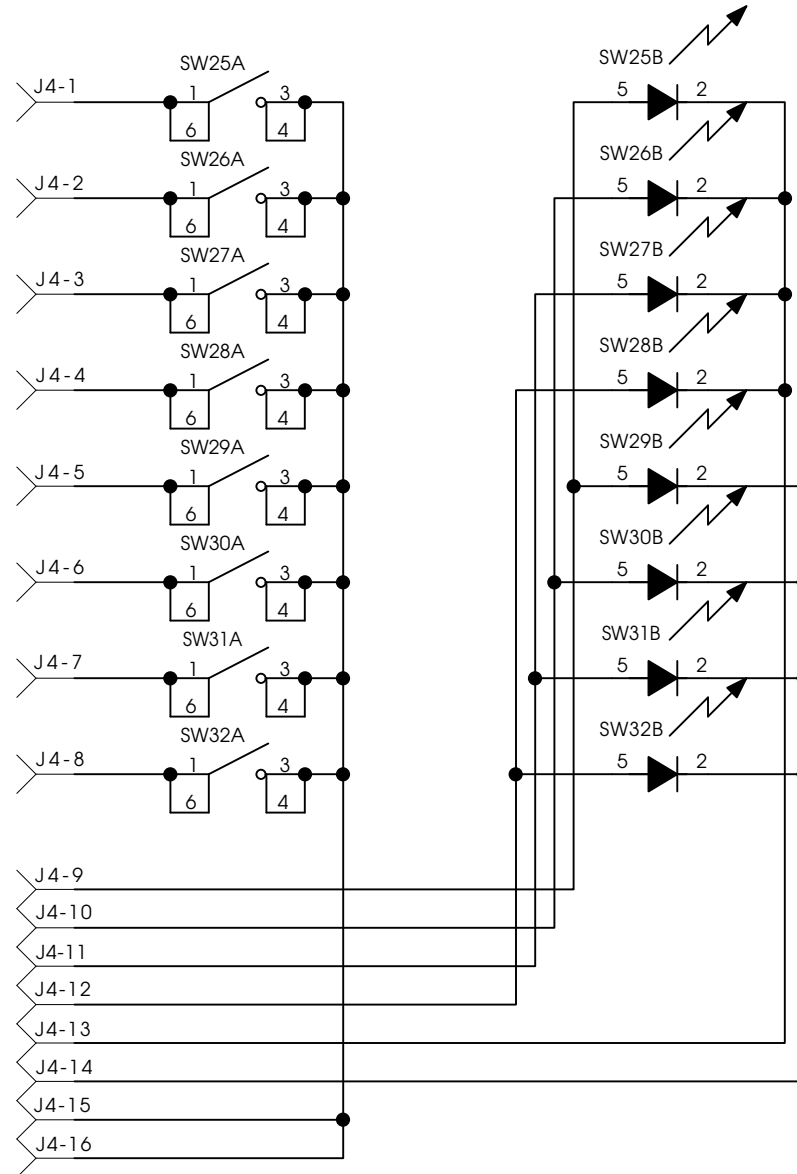
A

A

CONNECTED TO J5 ON ASSEMBLY 024006



CONNECTED TO J6 ON ASSEMBLY 024006



COMPANY:		SYMETRIX INC. 14926 35th Ave. W. Lynnwood, WA 98037	
DRAWN: ch / arg		DATED: 12/04/92	
RELEASED:		DATED:	
TITLE: 601 FRONT PANEL SWITCHES		REV: A.0.0	
DRAWING NO: 024001		SHEET: 2 OF 2	