

6

5

4

3

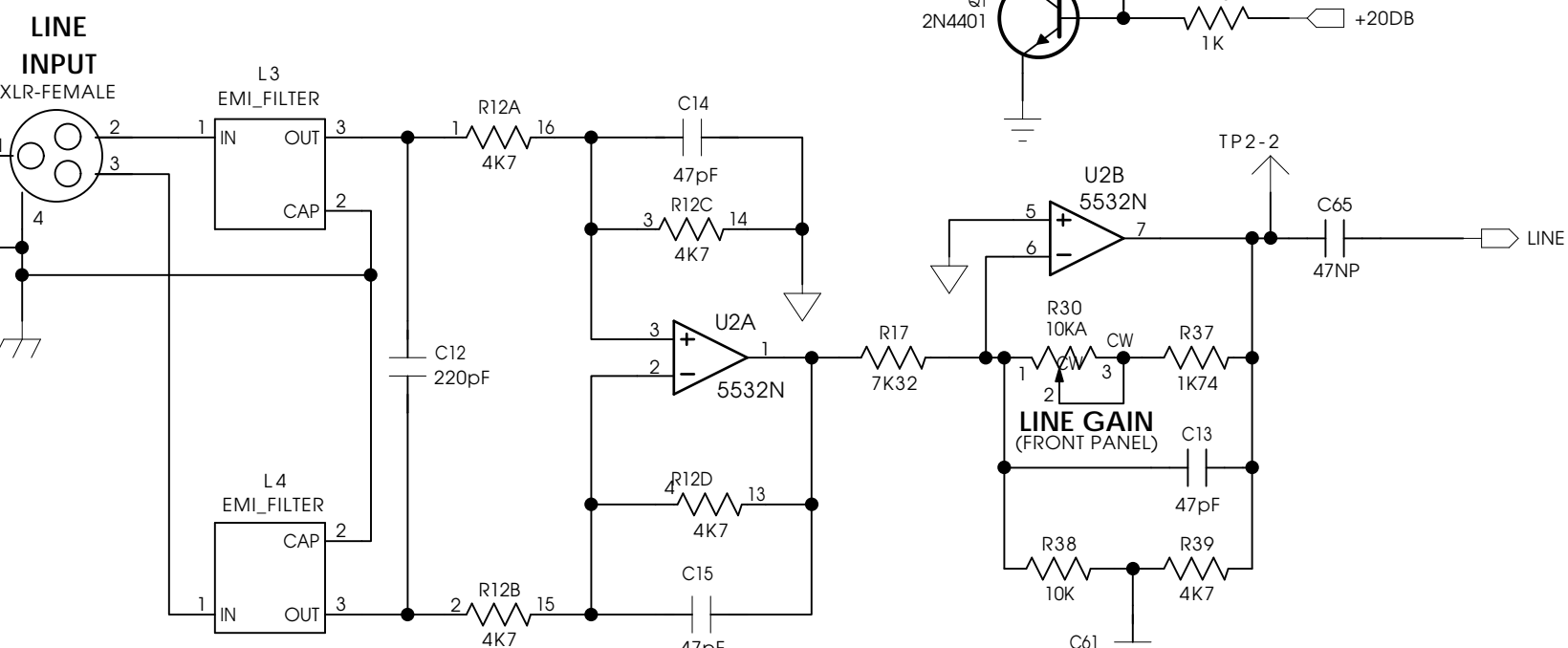
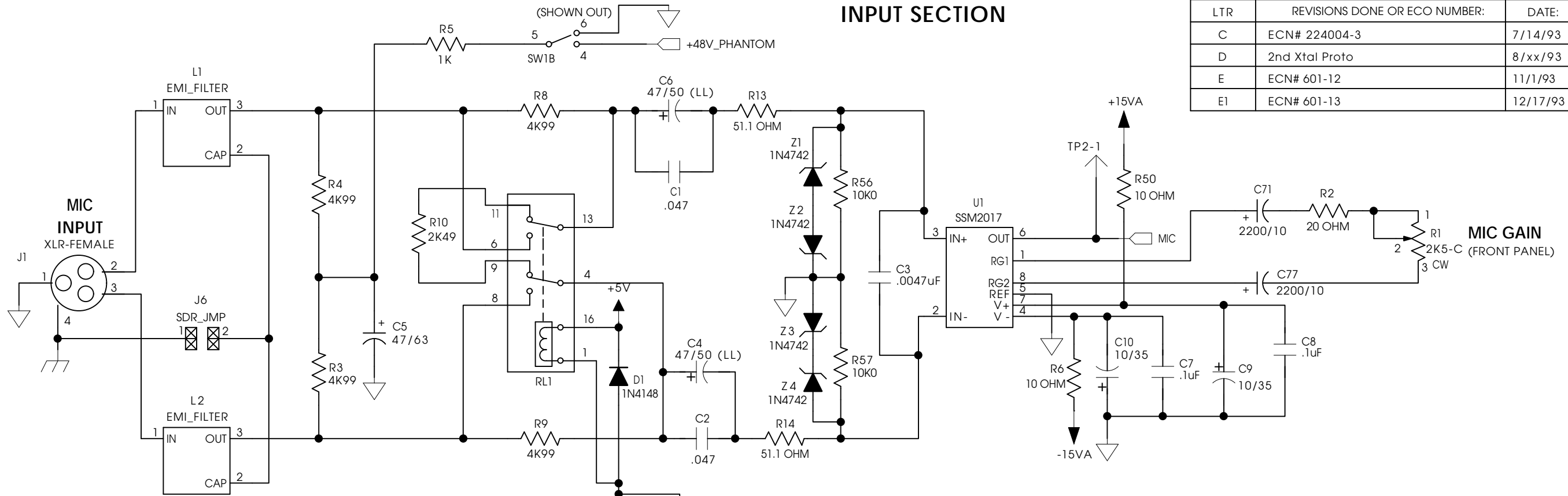
2

1

PHANTOM POWER

INPUT SECTION

REVISION RECORD		
LTR	REVISIONS DONE OR ECO NUMBER:	DATE:
C	ECN# 224004-3	7/14/93
D	2nd Xtal Proto	8/xx/93
E	ECN# 601-12	11/1/93
E1	ECN# 601-13	12/17/93



COMPANY: **SYMETRIX INC.**
 14926 35th Ave. W.
 Lynnwood, WA 98037

DRAWN: CH / ARG	DATED: 10/28/92	TITLE: 601 A/D/A BOARD	REV: E1
RELEASED:	DATED:	DRAWING NO: 024004	SHEET: 1 OF 5

6

5

4

3

2

1

D

D

C

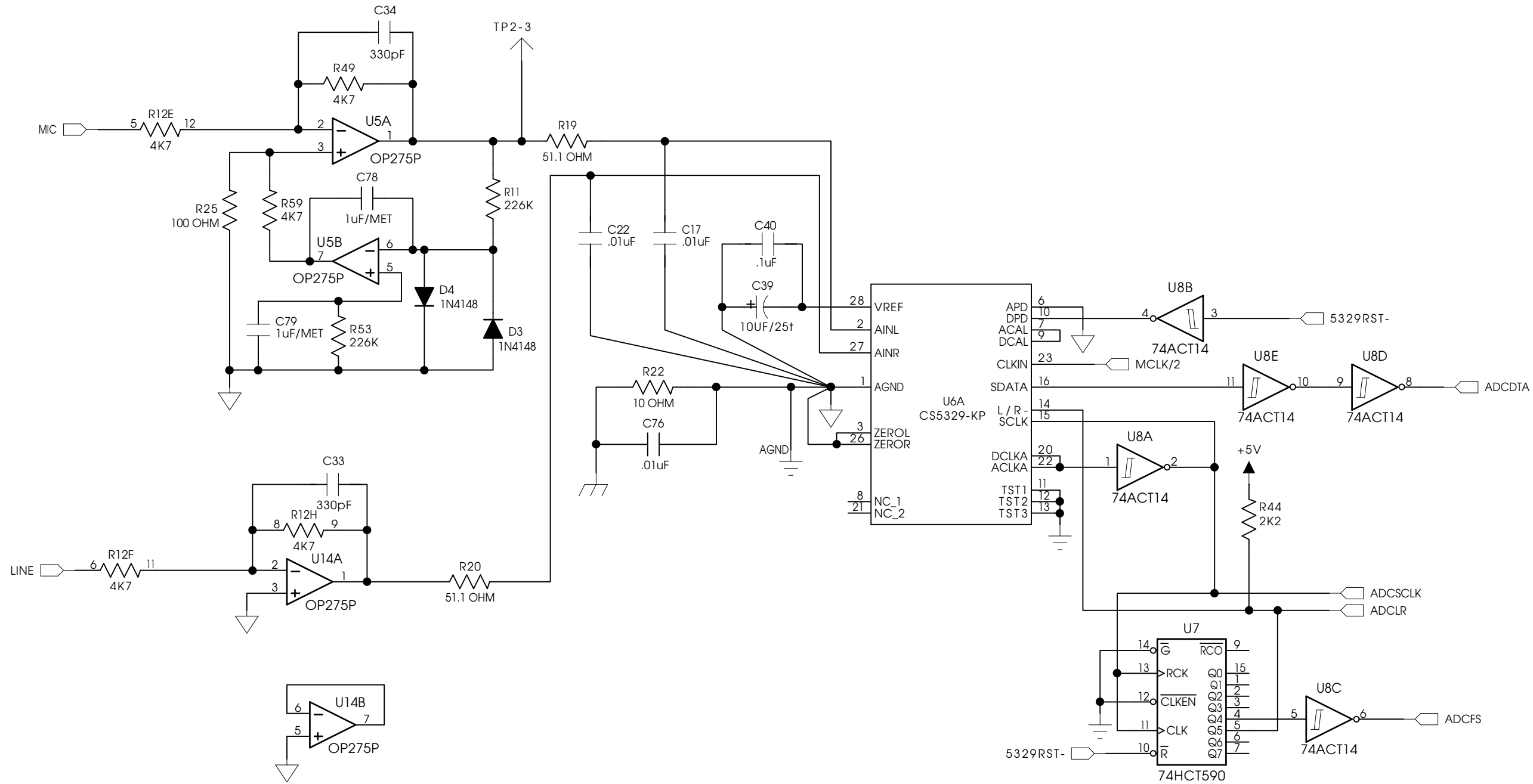
C

B

B

A

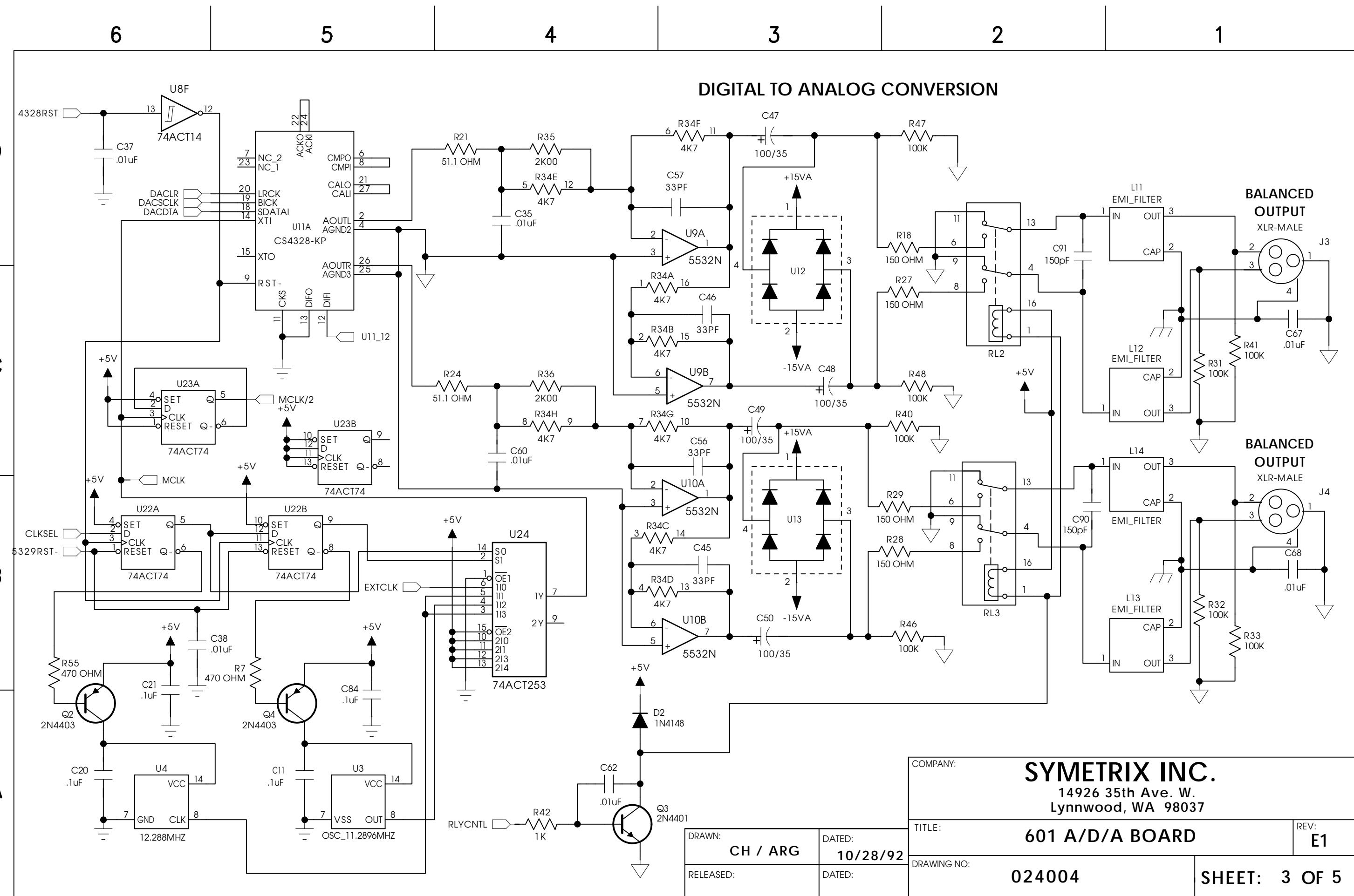
A



ANALOG TO DIGITAL CONVERSION

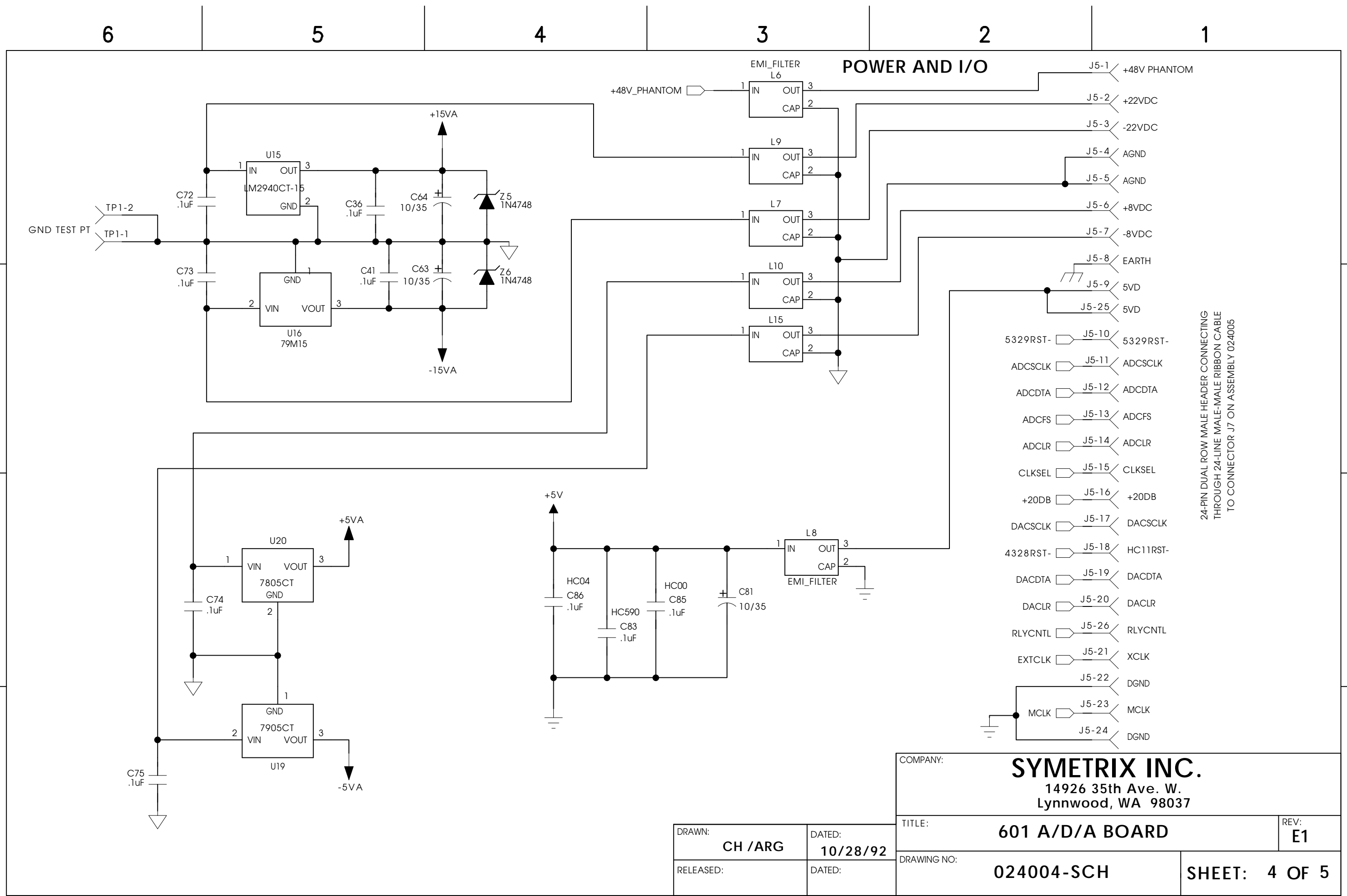
COMPANY:		SYMETRIX INC.	
		14926 35th Ave. W. Lynnwood, WA 98037	
TITLE:		601 A/D/A BOARD	
		REV: E1	
DRAWING NO:		024004	
SHEET:		2 OF 5	

DRAWN:	DATED:
CH / ARG	10/28/92
RELEASED:	DATED:



COMPANY:		SYMETRIX INC.	
		14926 35th Ave. W. Lynnwood, WA 98037	
TITLE:		601 A/D/A BOARD	REV: E1
DRAWING NO:		024004	SHEET: 3 OF 5

DRAWN:	DATED:
CH / ARG	10/28/92
RELEASED:	DATED:



24-PIN DUAL ROW MALE HEADER CONNECTING THROUGH 24-LINE MALE-MALE RIBBON CABLE TO CONNECTOR J7 ON ASSEMBLY 024005

COMPANY:		SYMETRIX INC.	
		14926 35th Ave. W. Lynnwood, WA 98037	
TITLE:		601 A/D/A BOARD	REV: E1
DRAWING NO:		024004-SCH	SHEET: 4 OF 5

DRAWN: CH / ARG	DATED: 10/28/92
RELEASED:	DATED:

6

5

4

3

2

1

D

D

C

C

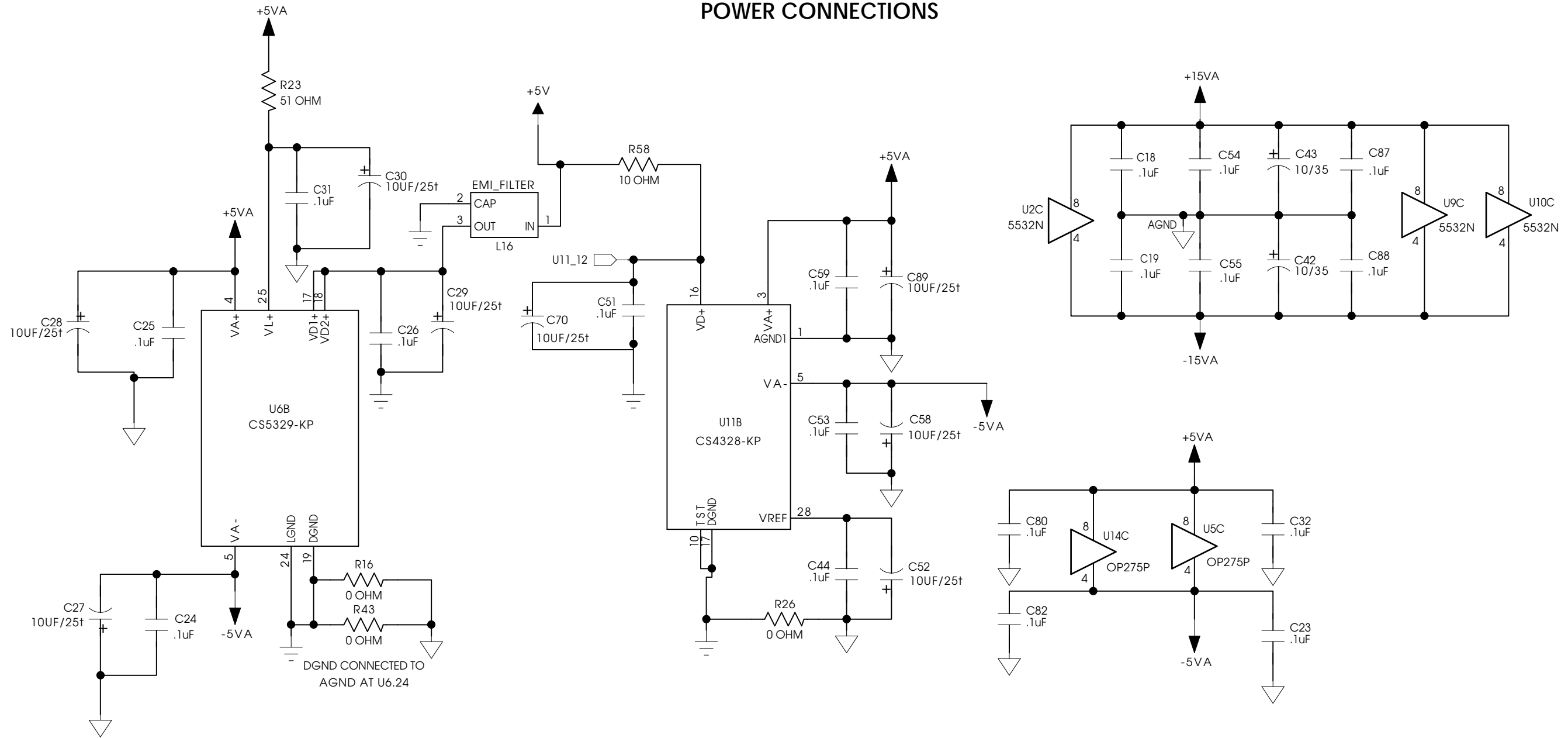
B

B

A

A

POWER CONNECTIONS



COMPANY:		SYMETRIX INC.	
		14926 35th Ave. W. Lynnwood, WA 98037	
TITLE:		601 A/D/A BOARD	
DRAWING NO:		024004	
REV:		E1	
SHEET:		5 OF 5	

DRAWN:	CH / ARG	DATED:	10/28/92
RELEASED:		DATED:	