

6

5

4

3

2

1

REVISION RECORD		
REV	REVISIONS DONE OR ECO NUMBER:	DATE:
B.00	JA loop filter; CS8412 /CS	
C.00	Jitter attenuator VCO resistors	
C.01	Word clock C219, JA C188 -> 47pF	
E00	Added clock buffer (rev D) and fixed some parts/decals, etc	

D

D

ADA8824

CONTENTS

DSP AND FLASH

CLOCKS

WORD CLOCK

LED CONNECTOR + EXTRAS

FPGA

DACS1 (Channels 1,2,3,4)

DACS2 (Channels 5,6,7,8)

ANALOG OUTPUTS 1 (1,2,3,4)

ANALOG OUTPUTS 2 (5,6,7,8)

DIGITAL OUTPUTS 1 (1,2,3,4)

DIGITAL OUTPUTS 2 (5,6,7,8)

S/PDIF I/O

POWER SUPPLY & XFMR CONNECTOR

HOST I/O CONNECTOR and STCK JITTER ATTENUATOR

DIGITAL INPUT CONNECTOR

C

C

B

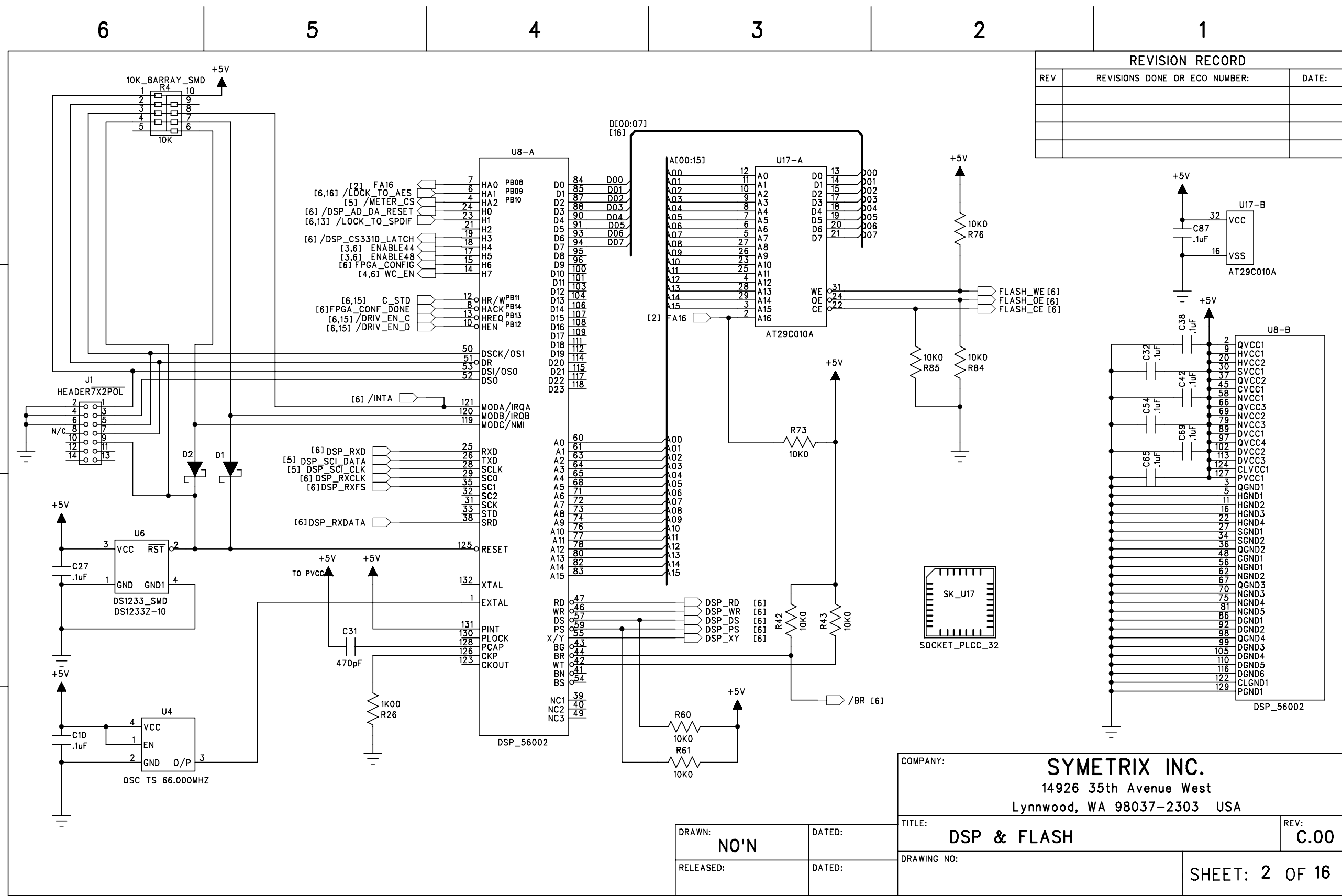
B

A

A

COMPANY: **SYMETRIX INC.**
 14926 35th Avenue West
 Lynnwood, WA 98037-2303 USA

DRAWN: NO'N	DATED: 10/14/98	TITLE: CONTENTS	REV: C.01
RELEASED:	DATED:	DRAWING NO:	SHEET: 1 OF 16



REVISION RECORD		
REV	REVISIONS DONE OR ECO NUMBER:	DATE:

COMPANY: **SYMETRIX INC.**
 14926 35th Avenue West
 Lynnwood, WA 98037-2303 USA

DRAWN: NO'N	DATED:	TITLE: DSP & FLASH	REV: C.00
RELEASED:	DATED:	DRAWING NO:	SHEET: 2 OF 16

6

5

4

3

2

1

D

C

B

A

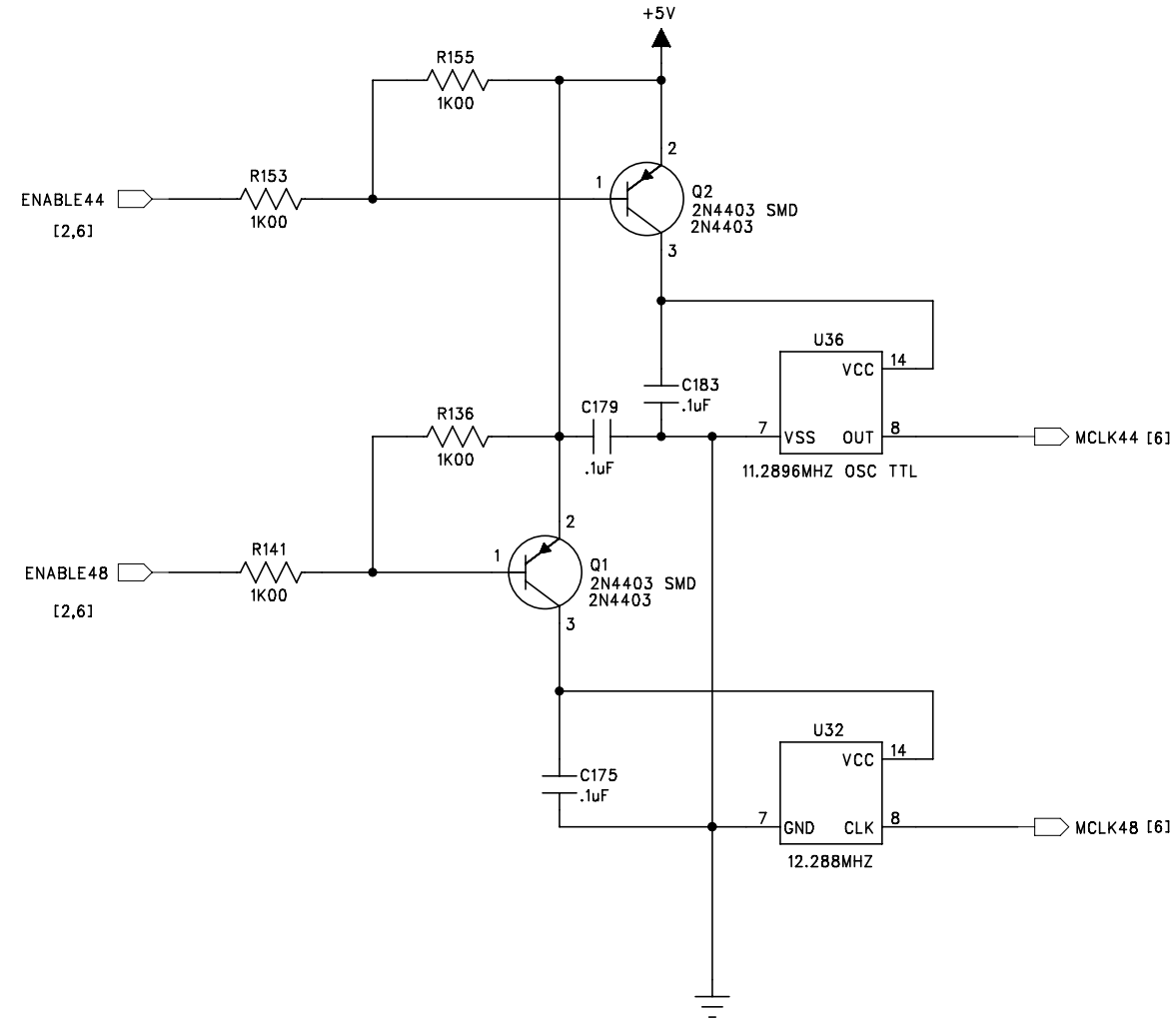
REVISION RECORD		
REV	REVISIONS DONE OR ECO NUMBER:	DATE:

D

C

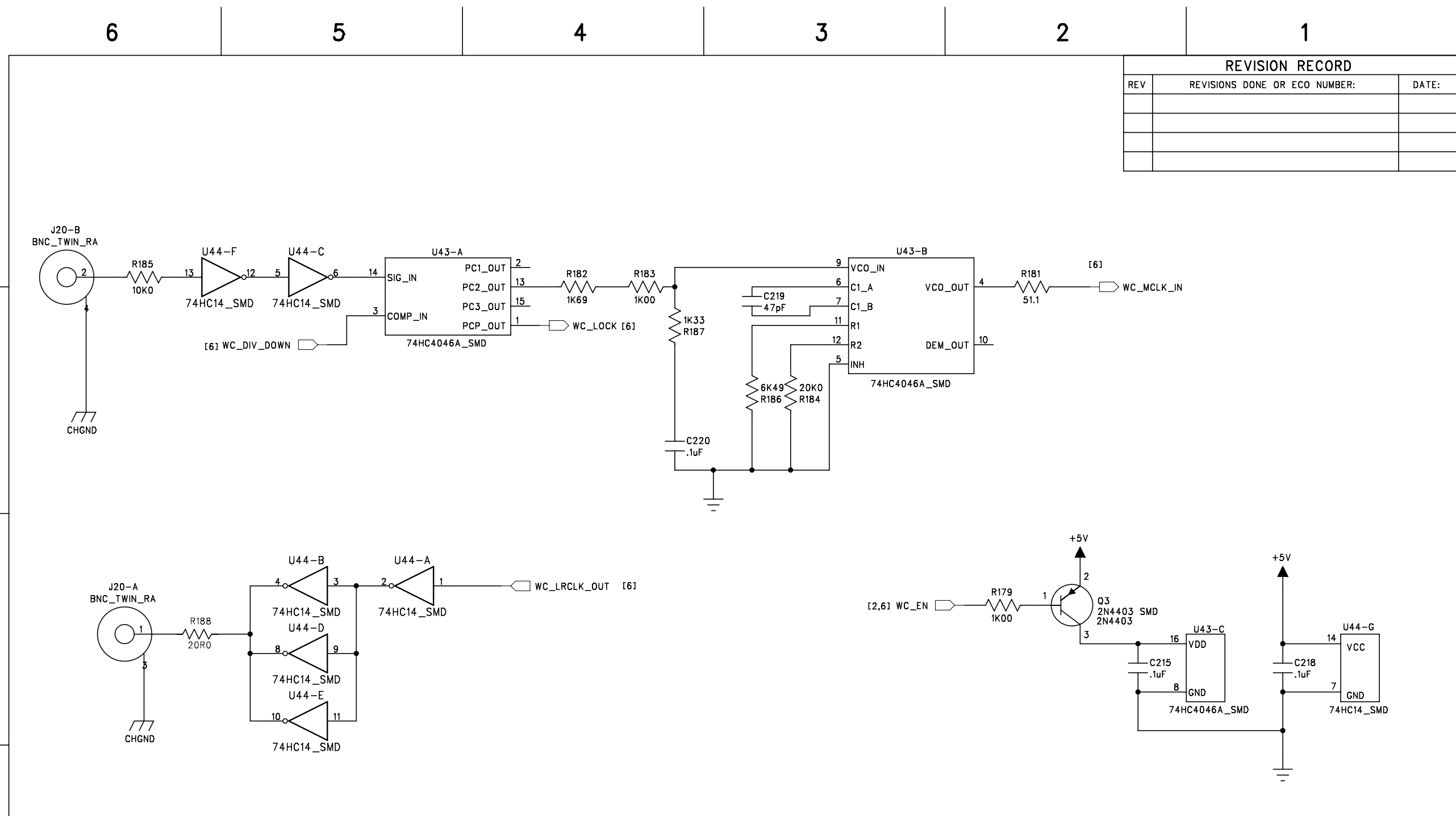
B

A



COMPANY: **SYMETRIX INC.**
 14926 35th Avenue West
 Lynnwood, WA 98037-2303 USA

DRAWN: NO'N	DATED:	TITLE: CLOCKS	REV: C.00
RELEASED:	DATED:	DRAWING NO:	SHEET: 3 OF 16

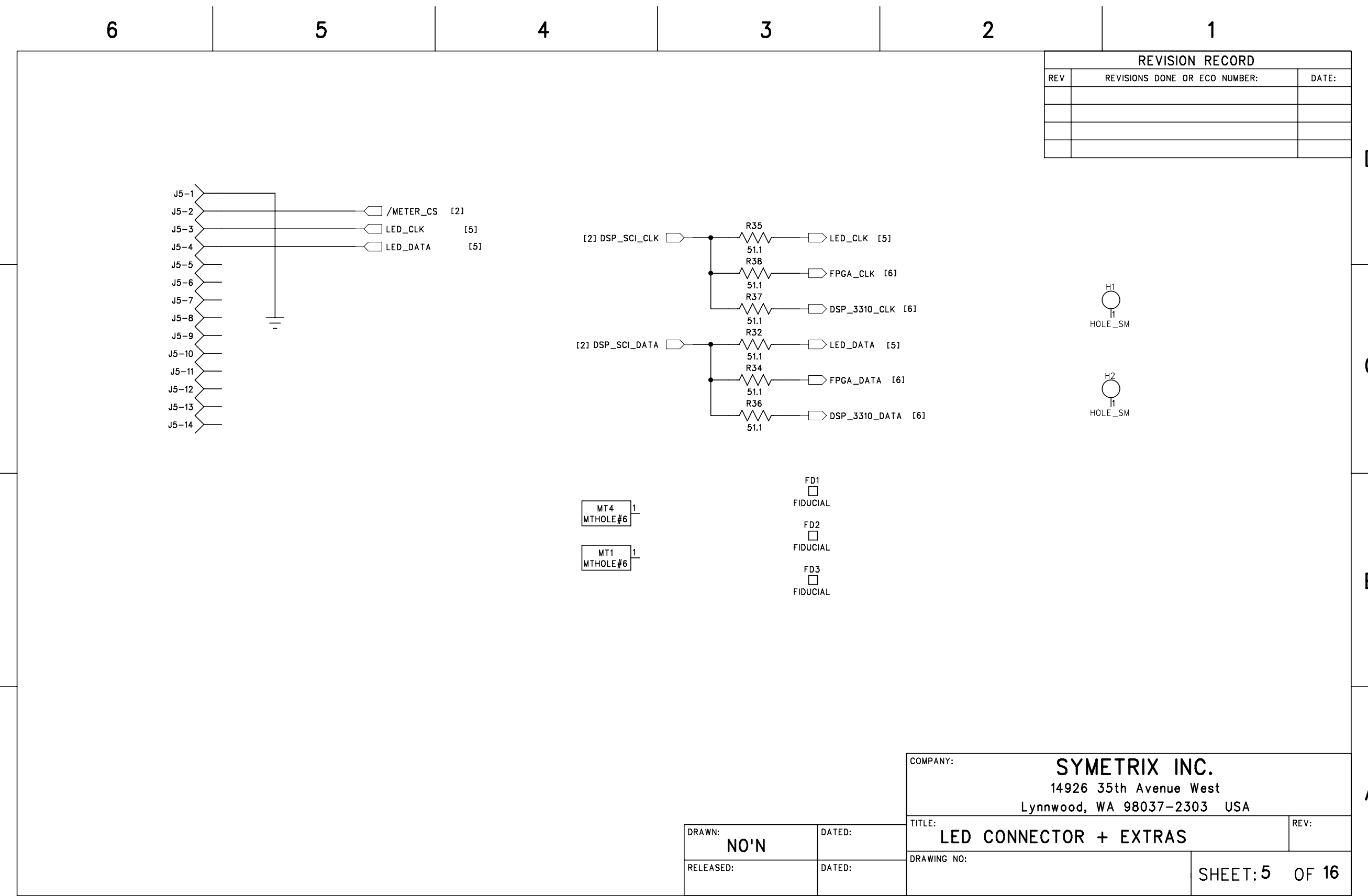


REVISION RECORD		
REV	REVISIONS DONE OR ECO NUMBER:	DATE:

MT8
MTHOLE#6

COMPANY: **SYMETRIX INC.**
 14926 35th Avenue West
 Lynnwood, WA 98037-2303 USA

DRAWN: NO'N	DATED:	TITLE: WORD CLOCK	REV:
RELEASED:	DATED:	DRAWING NO:	SHEET: 4 OF 16

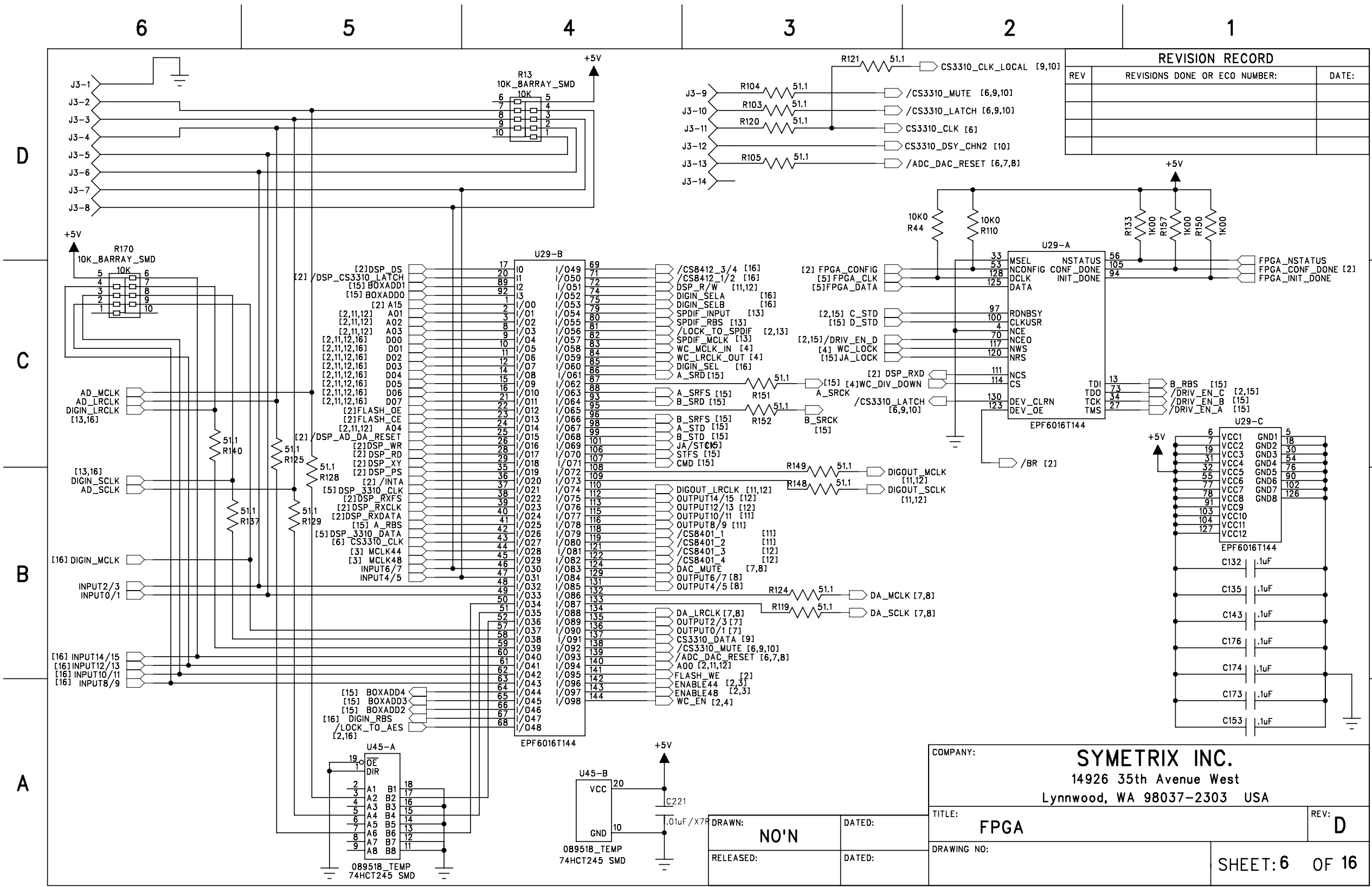


REVISION RECORD		
REV	REVISIONS DONE OR ECO NUMBER:	DATE:

COMPANY: **SYMETRIX INC.**
 14926 35th Avenue West
 Lynnwood, WA 98037-2303 USA

DRAWN: NO'N	DATED:
RELEASED:	DATED:

TITLE: LED CONNECTOR + EXTRAS	REV:
DRAWING NO:	SHEET: 5 OF 16



REVISION RECORD		
REV	REVISIONS DONE OR ECO NUMBER:	DATE:

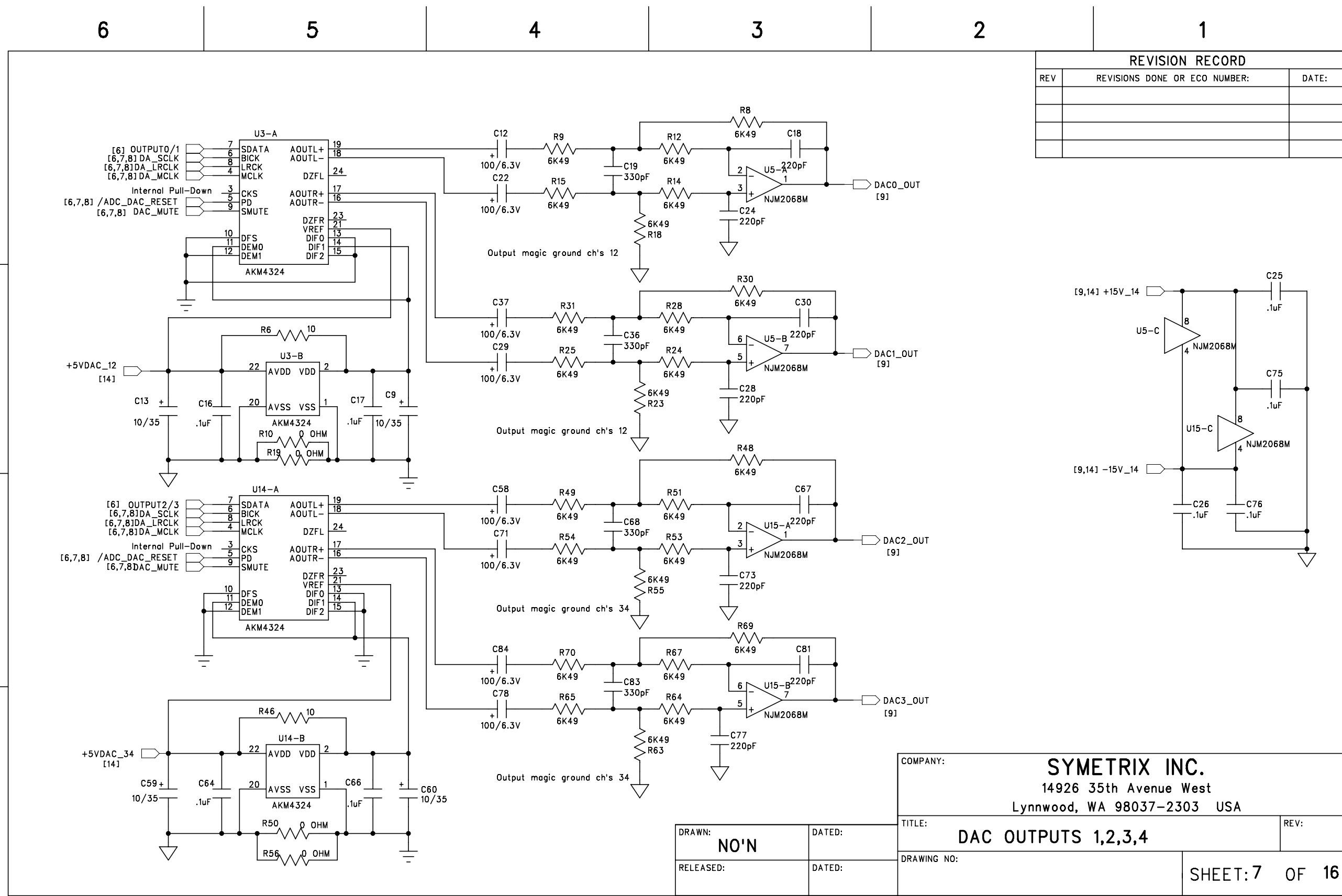
COMPANY: **SYMETRIX INC.**
 14926 35th Avenue West
 Lynnwood, WA 98037-2303 USA

TITLE: **FPGA** REV: **D**

DRAWING NO: SHEET: **6** OF **16**

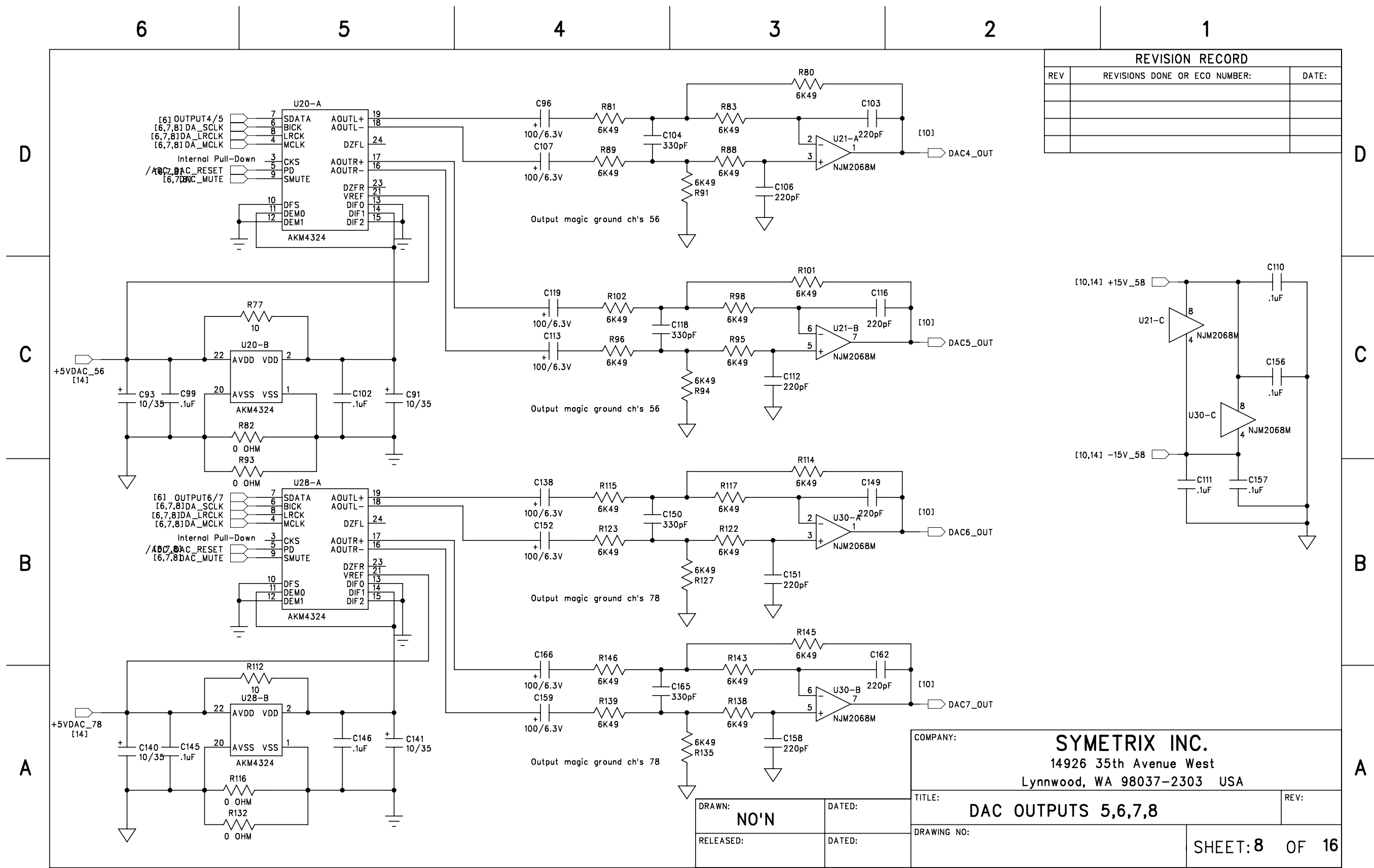
DRAWN: **NO'N** DATED: RELEASED: DATED:

If DIR is LOW, then its B to A

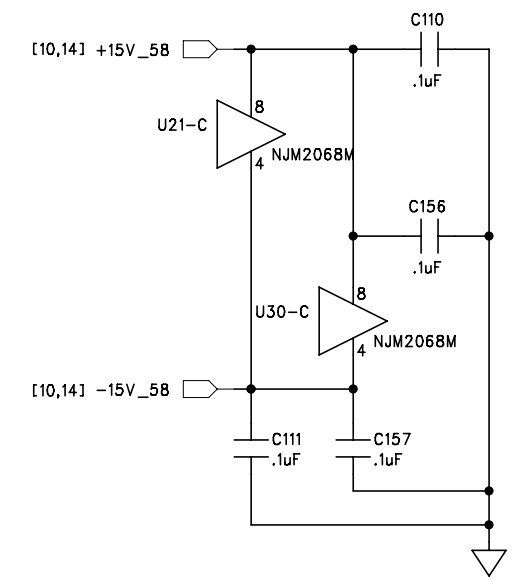


REVISION RECORD		
REV	REVISIONS DONE OR ECO NUMBER:	DATE:

COMPANY:		SYMETRIX INC.	
		14926 35th Avenue West Lynnwood, WA 98037-2303 USA	
DRAWN:		TITLE:	
NO'N		DAC OUTPUTS 1,2,3,4	
RELEASED:		DRAWING NO:	
		SHEET: 7 OF 16	



REVISION RECORD		
REV	REVISIONS DONE OR ECO NUMBER:	DATE:



COMPANY: **SYMETRIX INC.**
 14926 35th Avenue West
 Lynnwood, WA 98037-2303 USA

TITLE: **DAC OUTPUTS 5,6,7,8**

REV: _____

DRAWING NO: _____

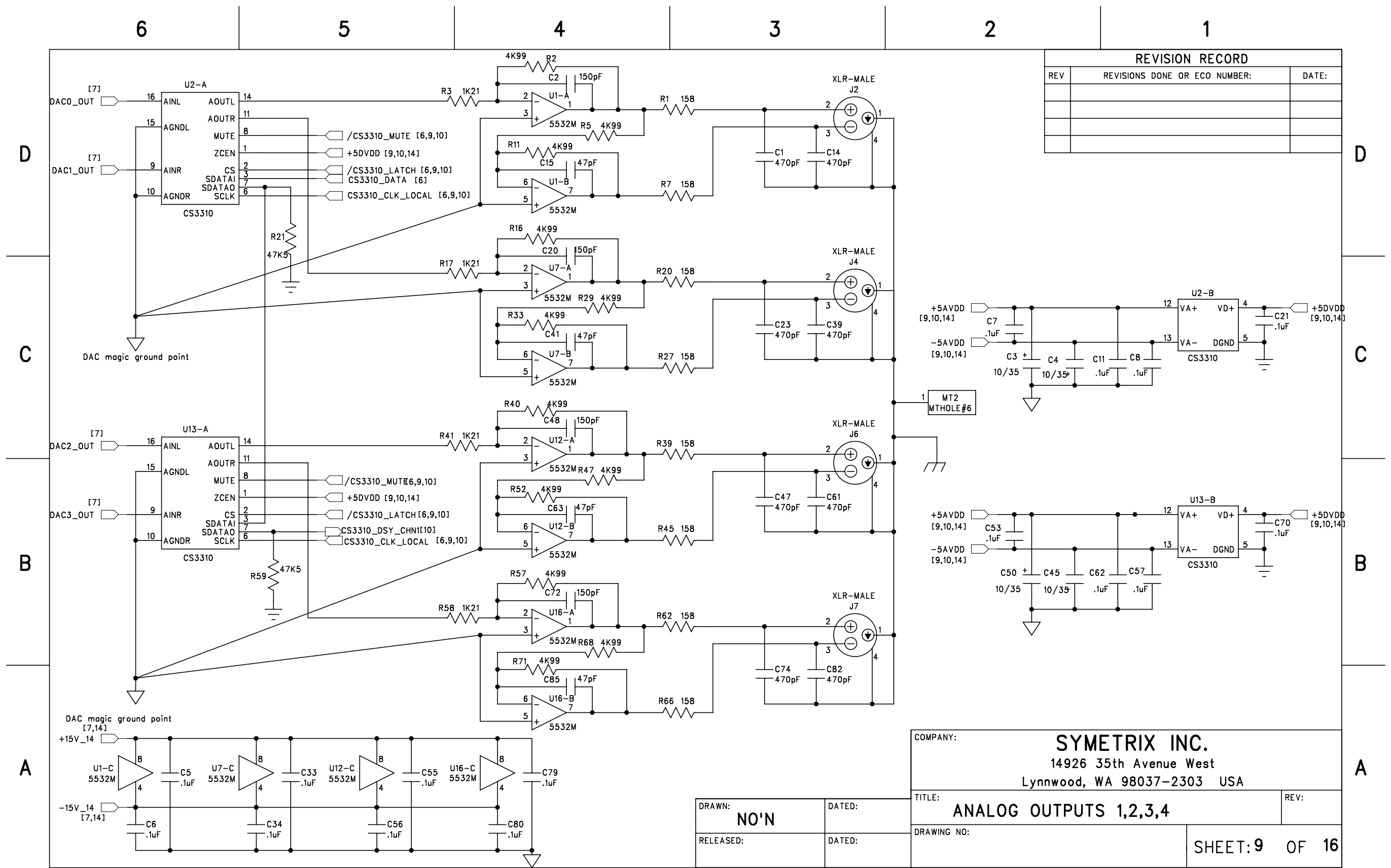
SHEET: **8** OF **16**

DRAWN: **NO'N**

RELEASED: _____

DATED: _____

DATED: _____



REVISION RECORD		
REV	REVISIONS DONE OR ECO NUMBER:	DATE:

COMPANY: **SYMETRIX INC.**
 14926 35th Avenue West
 Lynnwood, WA 98037-2303 USA

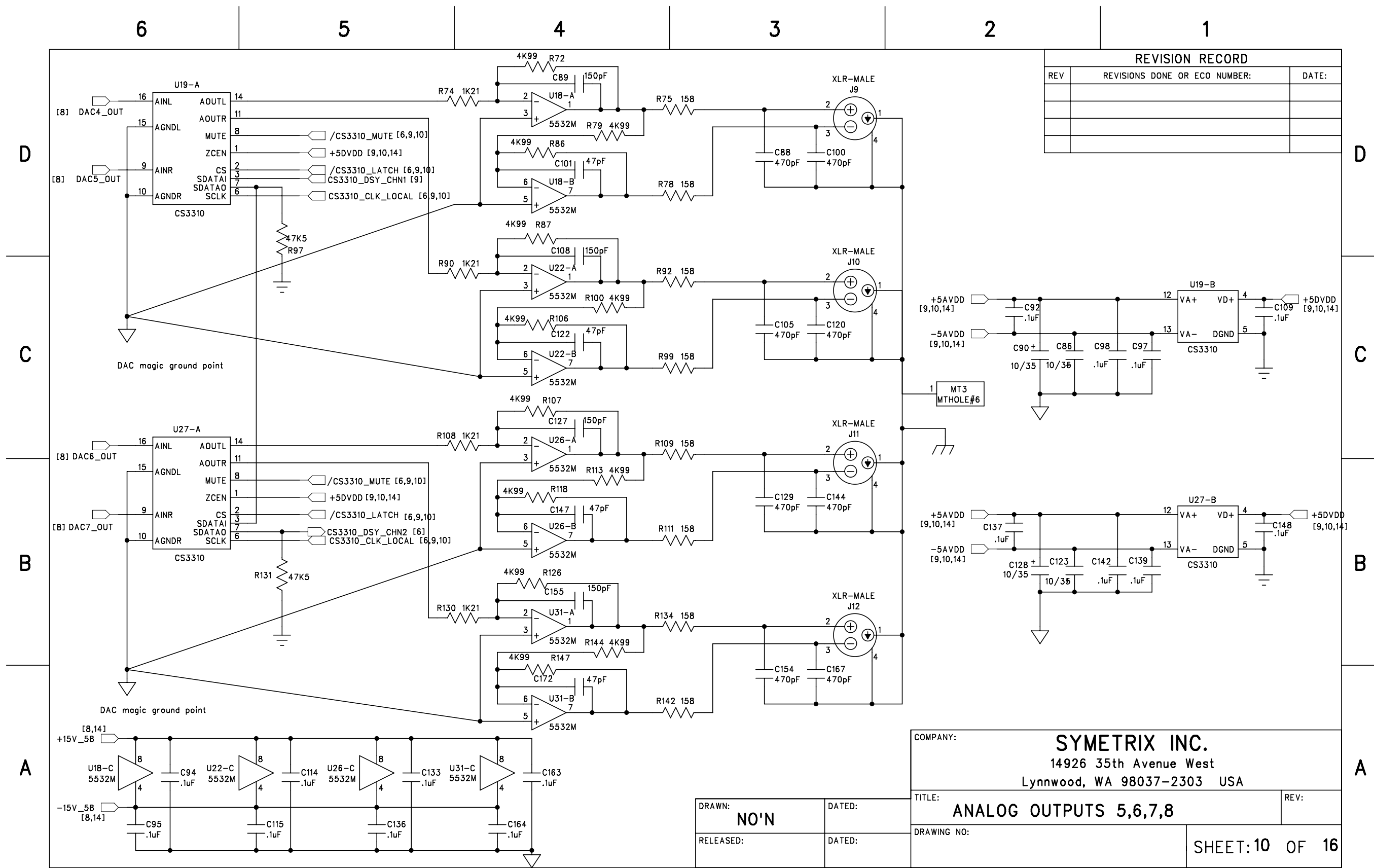
TITLE: **ANALOG OUTPUTS 1,2,3,4**

DRAWING NO: _____ SHEET: **9** OF **16**

REV: _____

DRAWN: **NO'N** DATED: _____

RELEASED: _____ DATED: _____



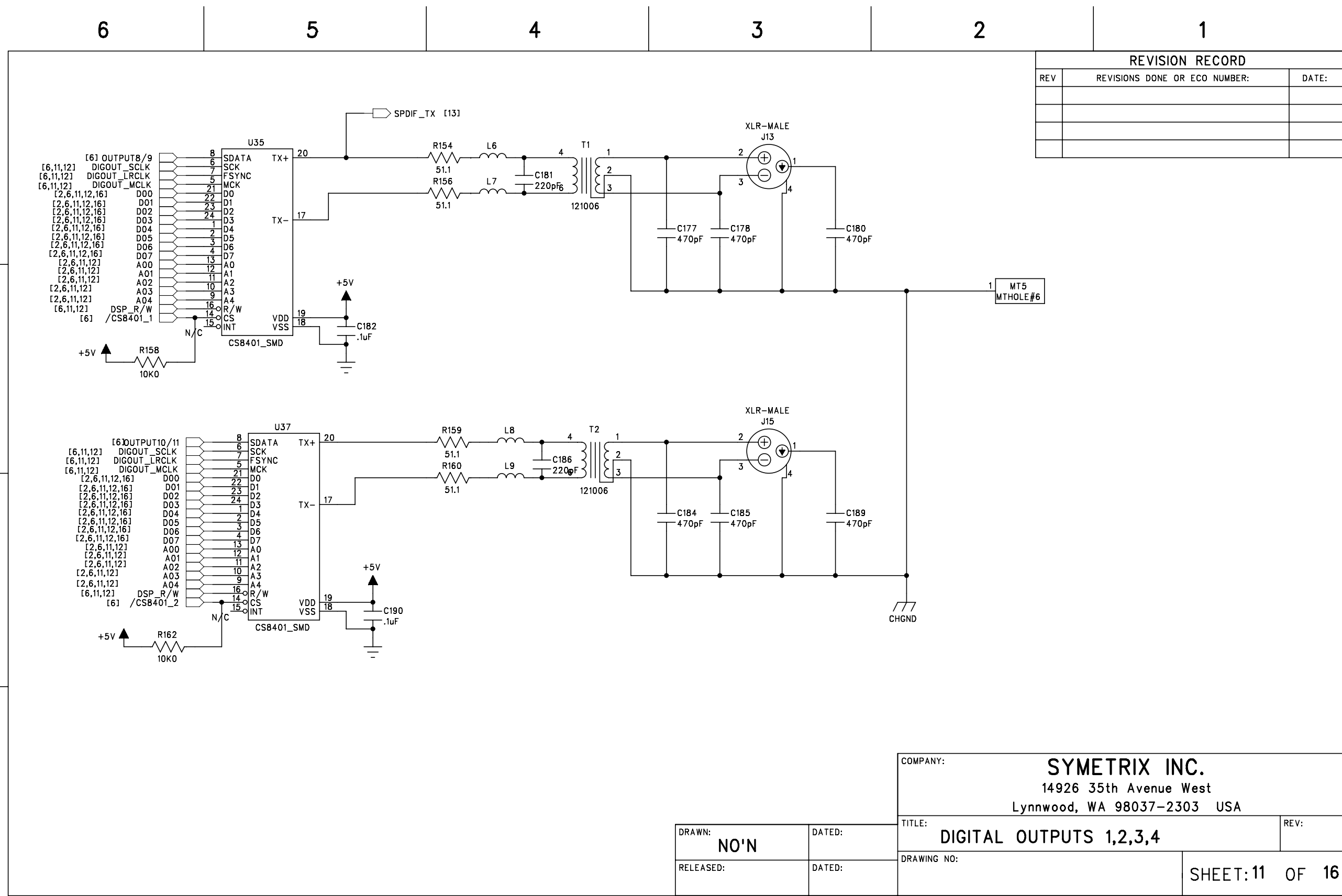
REVISION RECORD		
REV	REVISIONS DONE OR ECO NUMBER:	DATE:

COMPANY: **SYMETRIX INC.**
 14926 35th Avenue West
 Lynnwood, WA 98037-2303 USA

TITLE: **ANALOG OUTPUTS 5,6,7,8**

DRAWING NO: _____ SHEET: **10** OF **16**

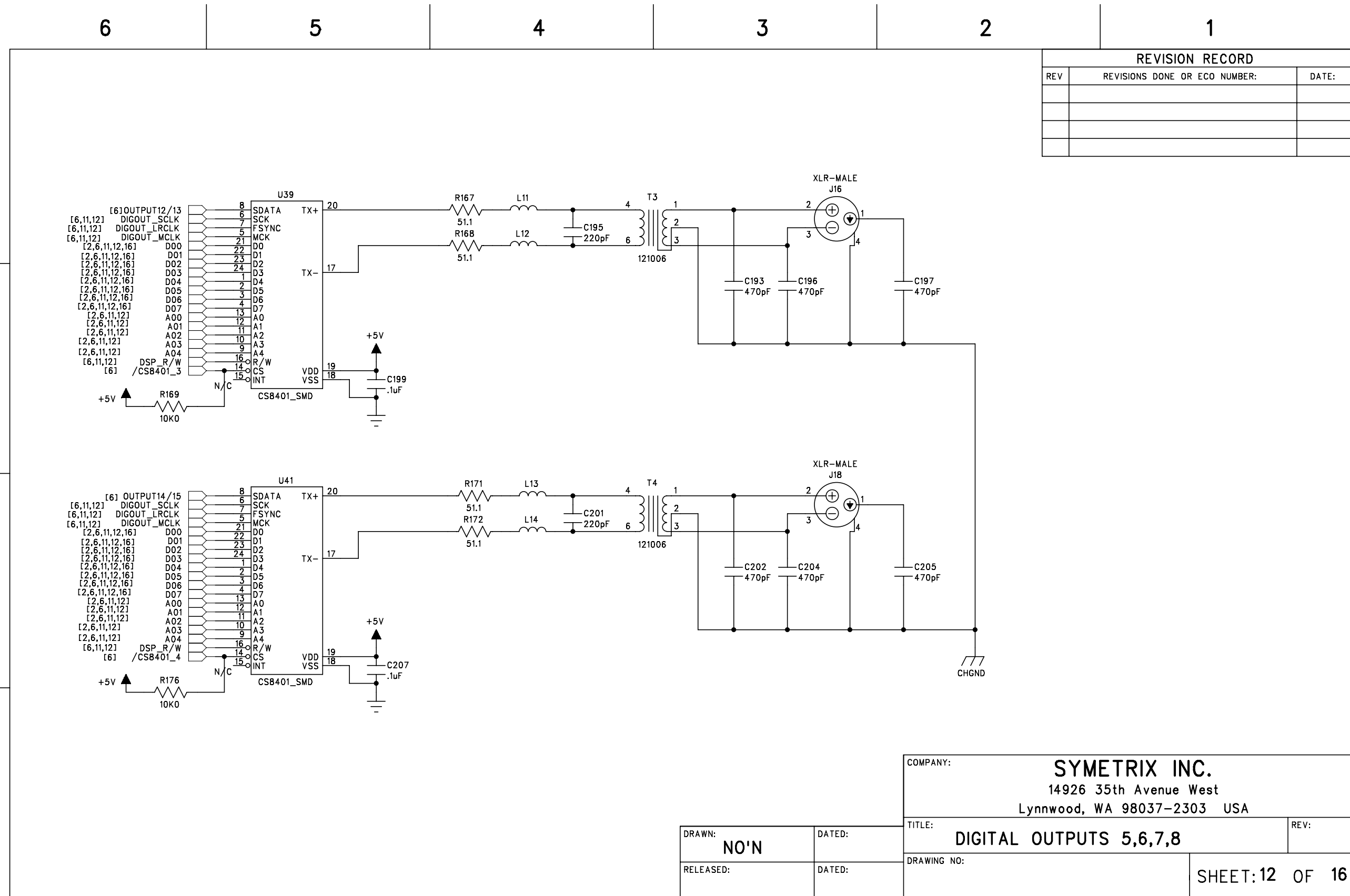
DRAWN: **NO'N** DATED: _____
 RELEASED: _____ DATED: _____



REVISION RECORD		
REV	REVISIONS DONE OR ECO NUMBER:	DATE:

COMPANY: **SYMETRIX INC.**
 14926 35th Avenue West
 Lynnwood, WA 98037-2303 USA

DRAWN: NO'N	DATED:	TITLE: DIGITAL OUTPUTS 1,2,3,4	REV:
RELEASED:	DATED:	DRAWING NO:	SHEET: 11 OF 16

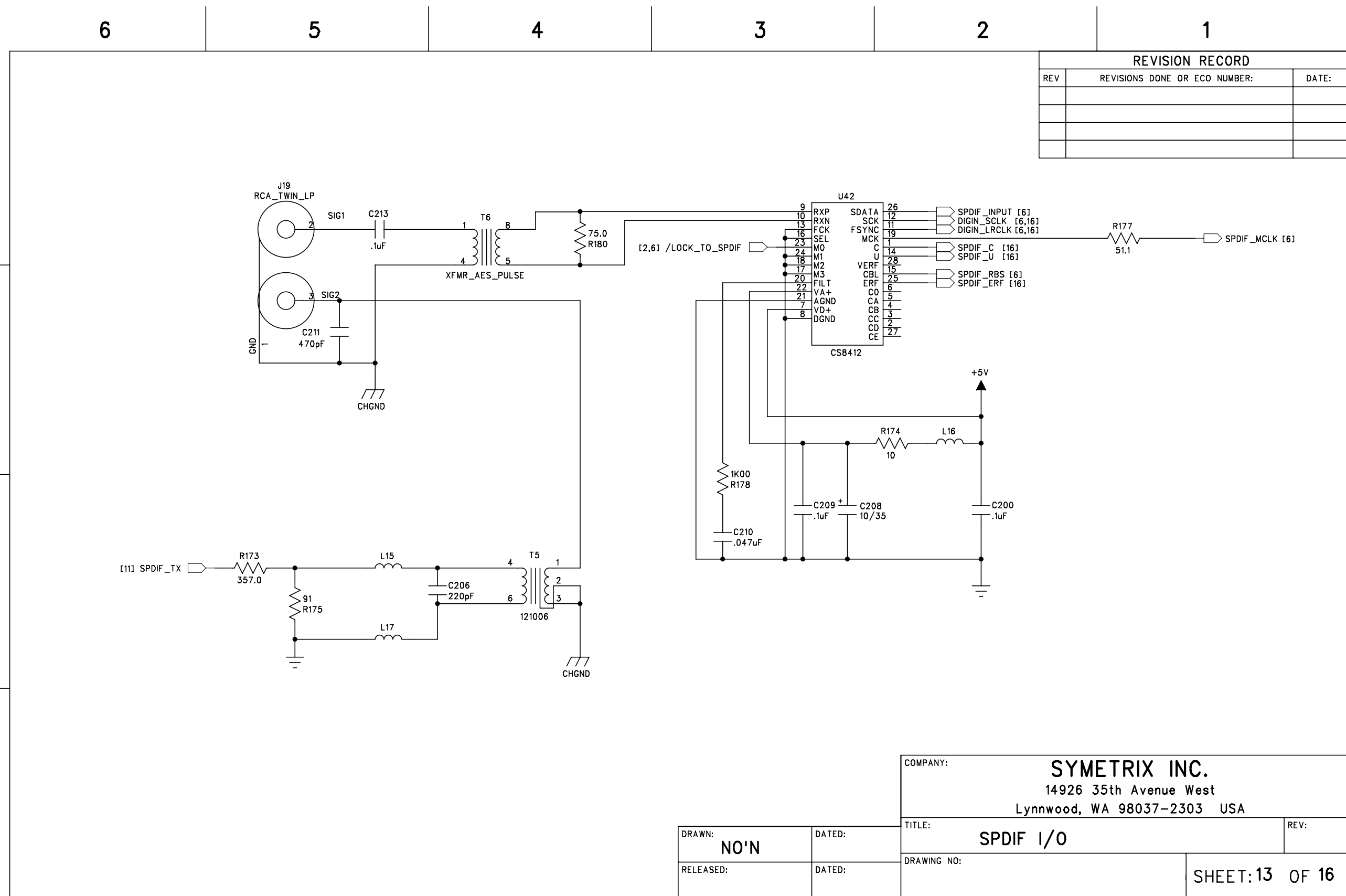


REVISION RECORD		
REV	REVISIONS DONE OR ECO NUMBER:	DATE:

COMPANY: **SYMETRIX INC.**
 14926 35th Avenue West
 Lynnwood, WA 98037-2303 USA

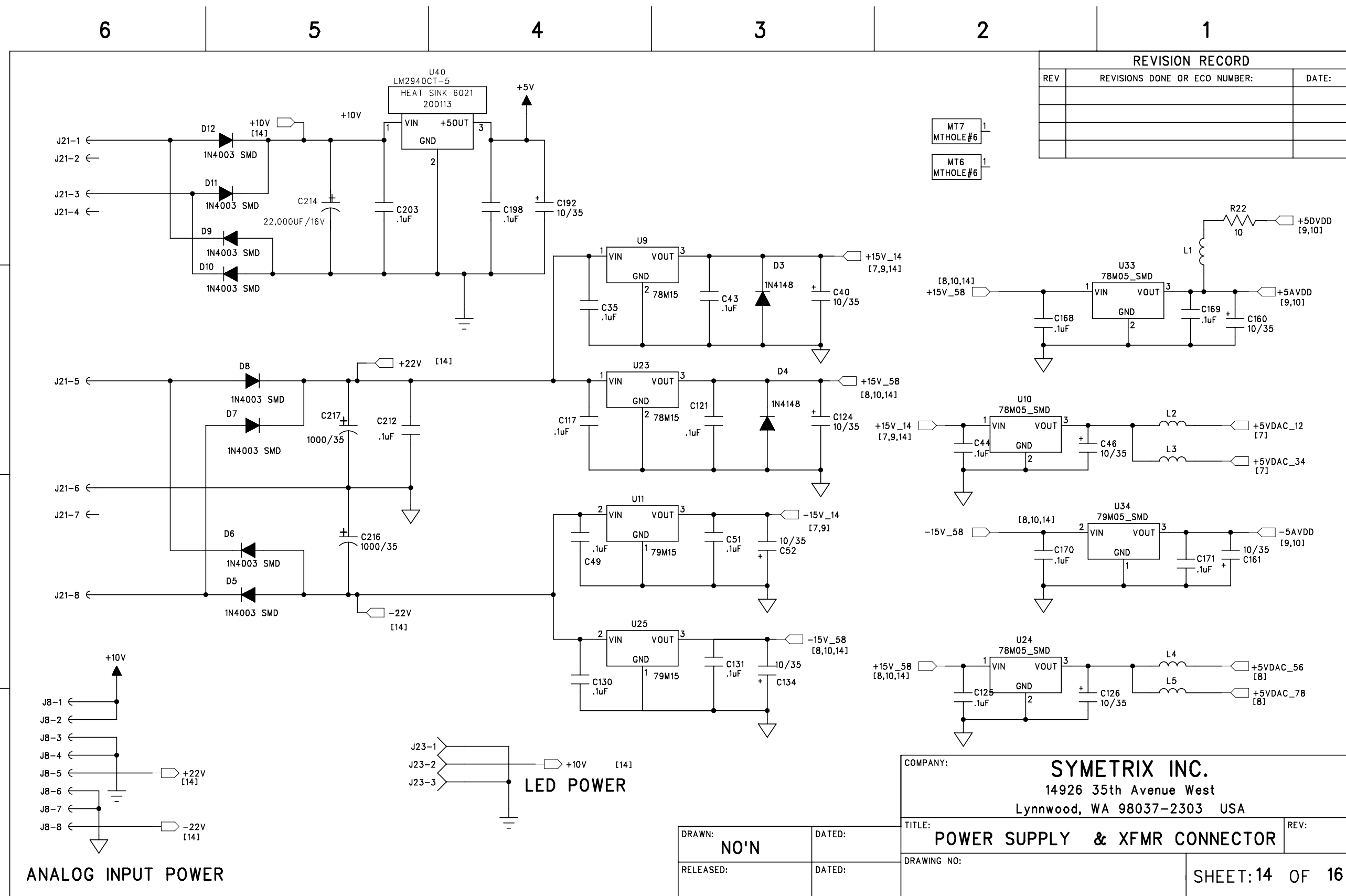
DRAWN: **NO'N**
 DATED:
 RELEASED:
 DATED:

TITLE: **DIGITAL OUTPUTS 5,6,7,8**
 REV:
 DRAWING NO:
 SHEET: **12** OF **16**



COMPANY: **SYMETRIX INC.**
 14926 35th Avenue West
 Lynnwood, WA 98037-2303 USA

DRAWN: NO'N	DATED:	TITLE: SPDIF I/O	REV:
RELEASED:	DATED:	DRAWING NO:	SHEET: 13 OF 16



REVISION RECORD		
REV	REVISIONS DONE OR ECO NUMBER:	DATE:

MT7
MTHOLE#6

MT6
MTHOLE#6

ANALOG INPUT POWER

LED POWER

COMPANY: **SYMETRIX INC.**
14926 35th Avenue West
Lynnwood, WA 98037-2303 USA

DRAWN: **NO'N**

DATED:

TITLE: **POWER SUPPLY & XFMR CONNECTOR**

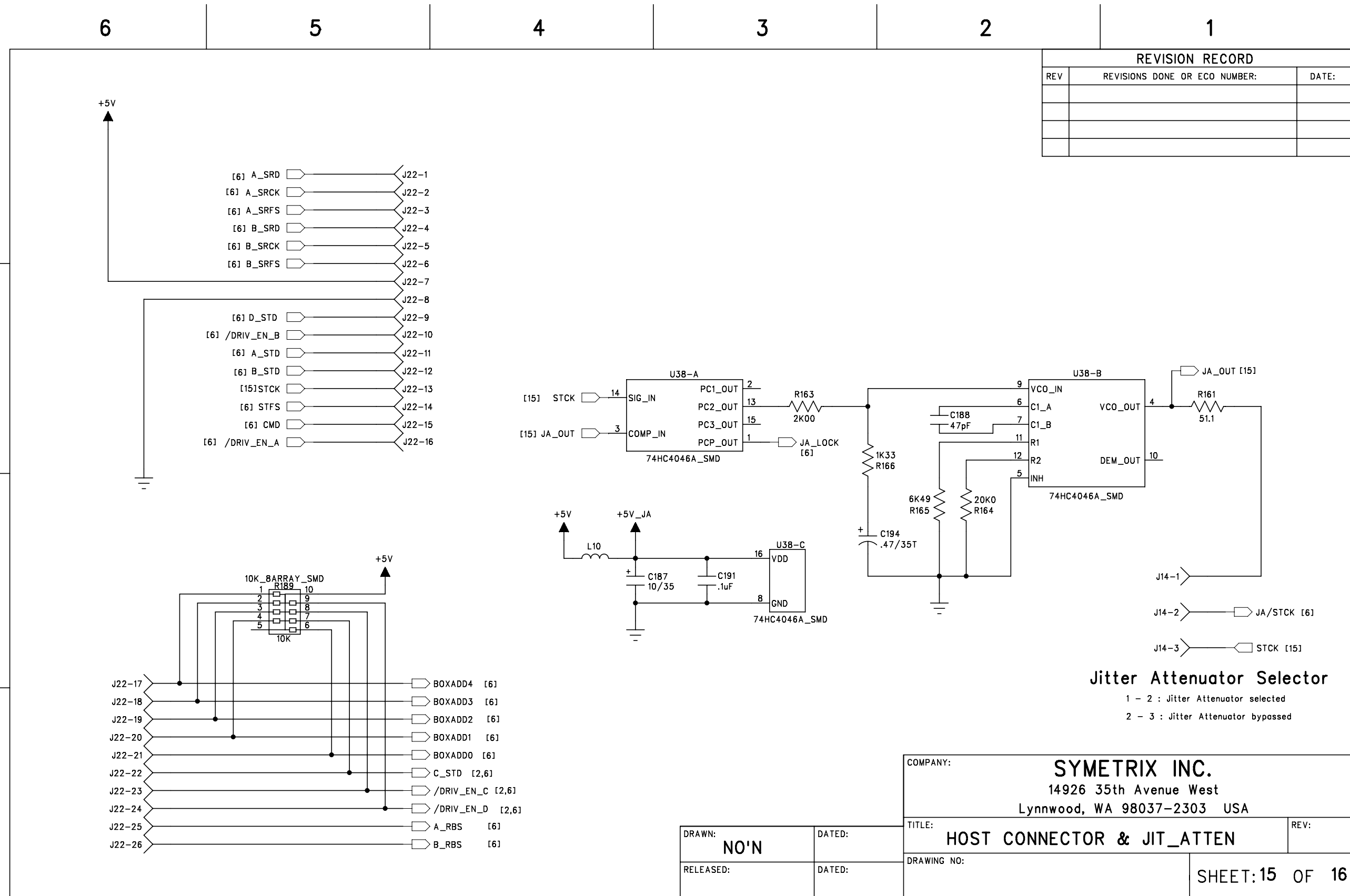
REV:

RELEASED:

DATED:

DRAWING NO:

SHEET: 14 OF 16



6

5

4

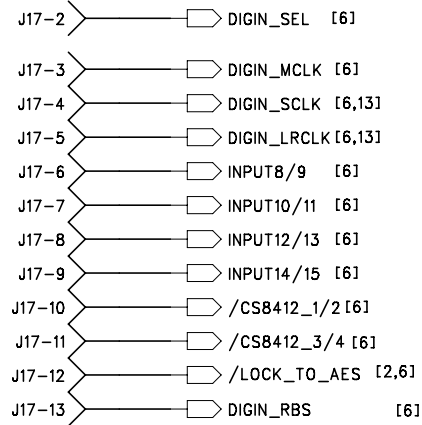
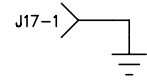
3

2

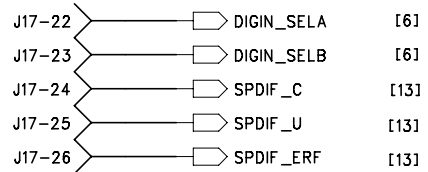
1

REVISION RECORD		
REV	REVISIONS DONE OR ECO NUMBER:	DATE:

D



D[00:07]
[2]



C

B

A

D

C

B

A

COMPANY: **SYMETRIX INC.**
14926 35th Avenue West
Lynnwood, WA 98037-2303 USA

DRAWN: **NO'N**

DATED:

TITLE: **DIGITAL INPUT CONNECTOR**

REV:

RELEASED:

DATED:

DRAWING NO:

SHEET: **16** OF **16**