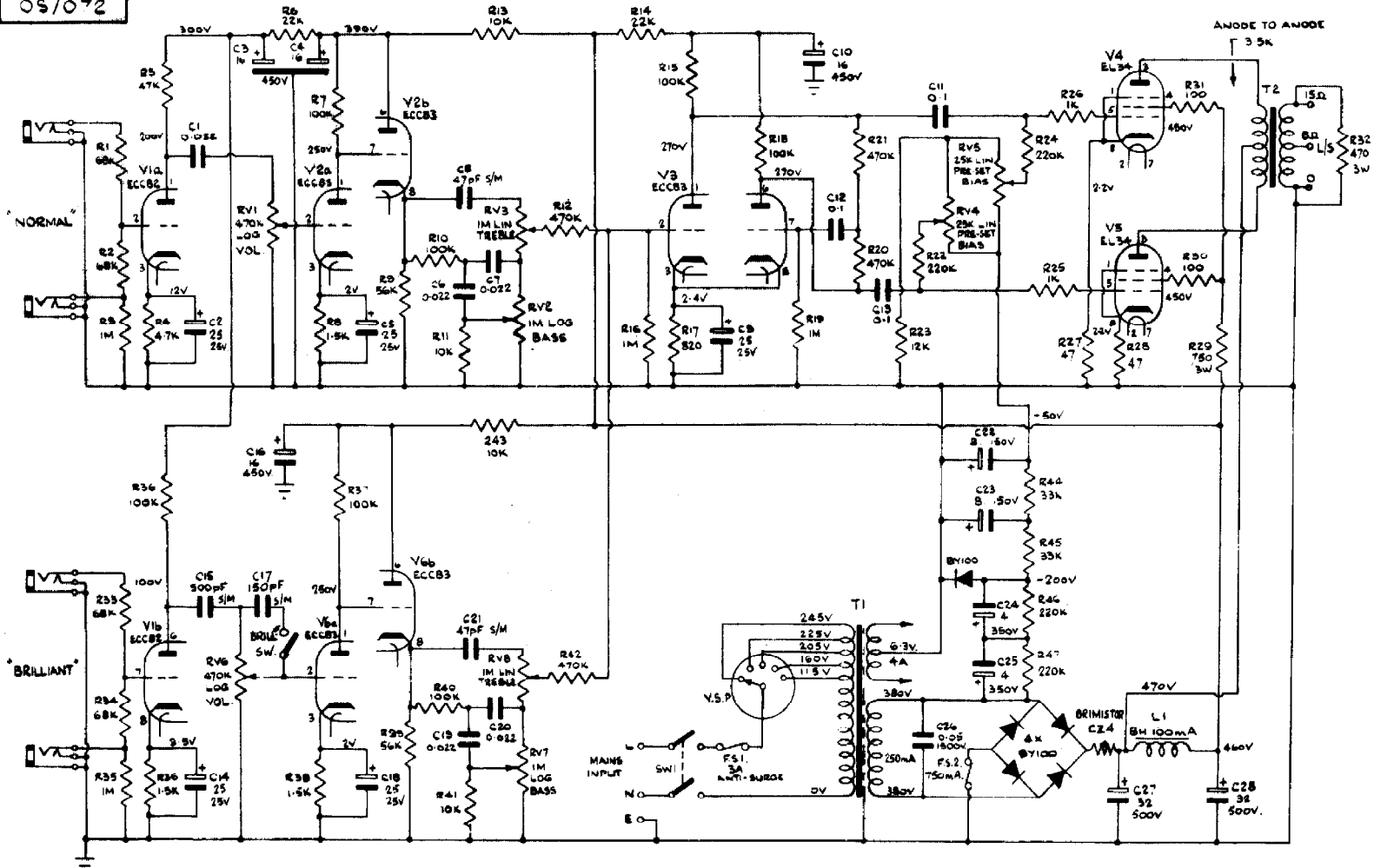


DRG NO
05/072



R15 & R16 TO BE HIGH STABILITY.
BIAS SETTING - ADJUST TO GIVE 23V DC ACROSS THE 47Ω CATHODE RESISTORS IN THE EL34s
 ALL RESISTORS 1W, 10% UNLESS SHOWN.
 ALL CAPACITORS 400V POLYSTYRENE UNLESS SHOWN.
 ALL CAPACITORS IN M.F.D.S. UNLESS OTHERWISE STATED.
 ALL RESISTORS IN OHMS " " "

| | | | |
|---------|---------|---------------------------------|-------------------------|
| 1-12-65 | SCALE | TITLE | DRW. <i>B.E. Hagbin</i> |
| 3 | MAT | A.C 50/4 AMPLIFIER MK III | CHK |
| 2 | FIN | JENNINGS MUSICAL INDUSTRIES LTD | APP |
| 1 | TOL | DARTFORD, KENT. | DRG NO 05/072 |
| 185 | CHANGES | | |