

# COOLTRON

## CT-01DS

## CT-02OD

## CT-03BT

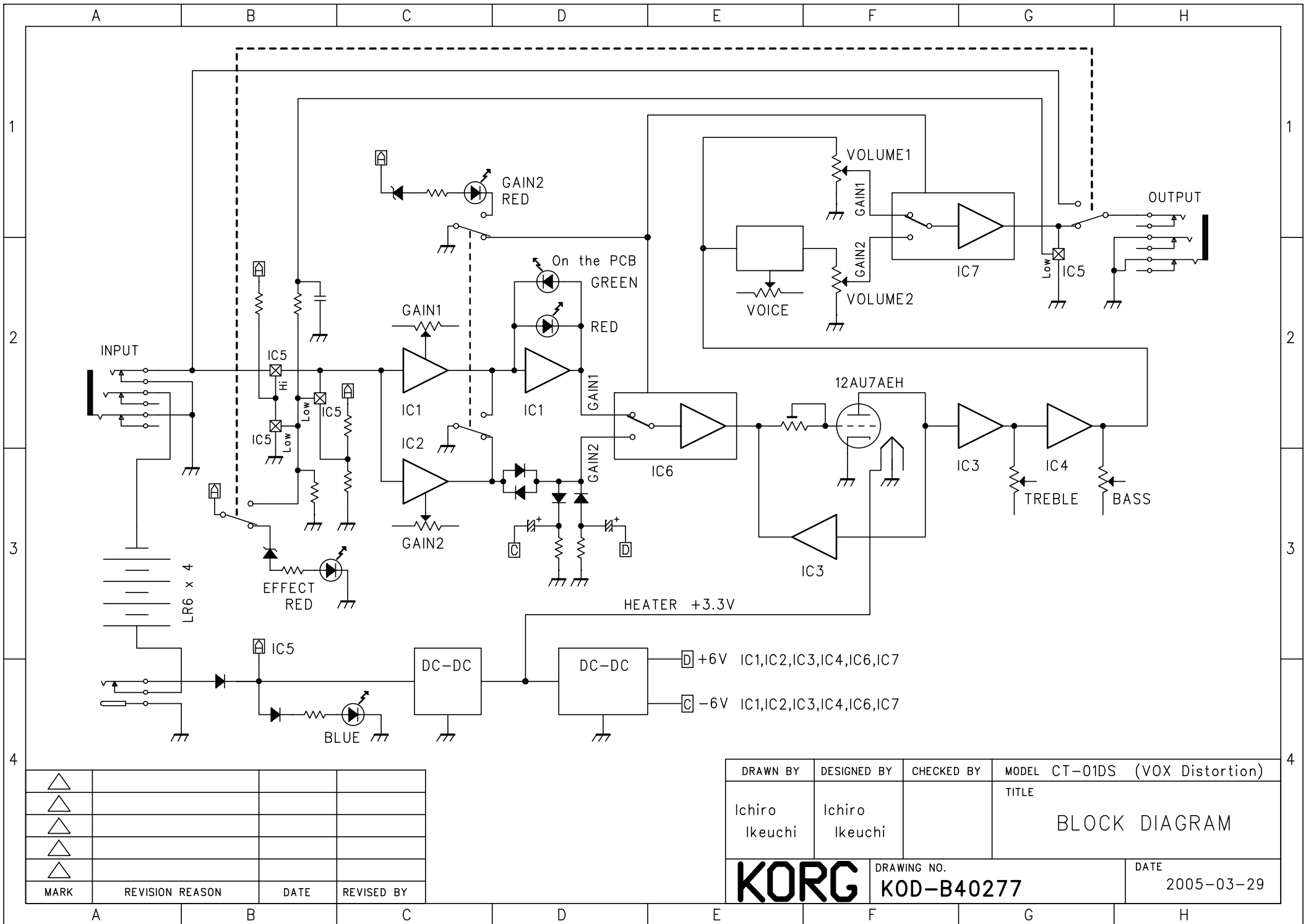
### **CONTENTS**

1) CT-01DS Block Diagram	: Page 2
CT-01DS Circuit Diagram	: Page 3
CT-01DS Illustrated Parts Breakdown	: Page 4
CT-01DS Parts List	: Page 5
2) CT-02OD Block Diagram	: Page 6
CT-02OD Circuit Diagram	: Page 7
CT-02OD Illustrated Parts Breakdown	: Page 8
CT-02OD Parts List	: Page 9
3) CT-03BT Block Diagram	: Page 10
CT-03BT Circuit Diagram	: Page 11
CT-03BT Illustrated Parts Breakdown	: Page 12
CT-03BT Parts List	: Page 13

1st Edition

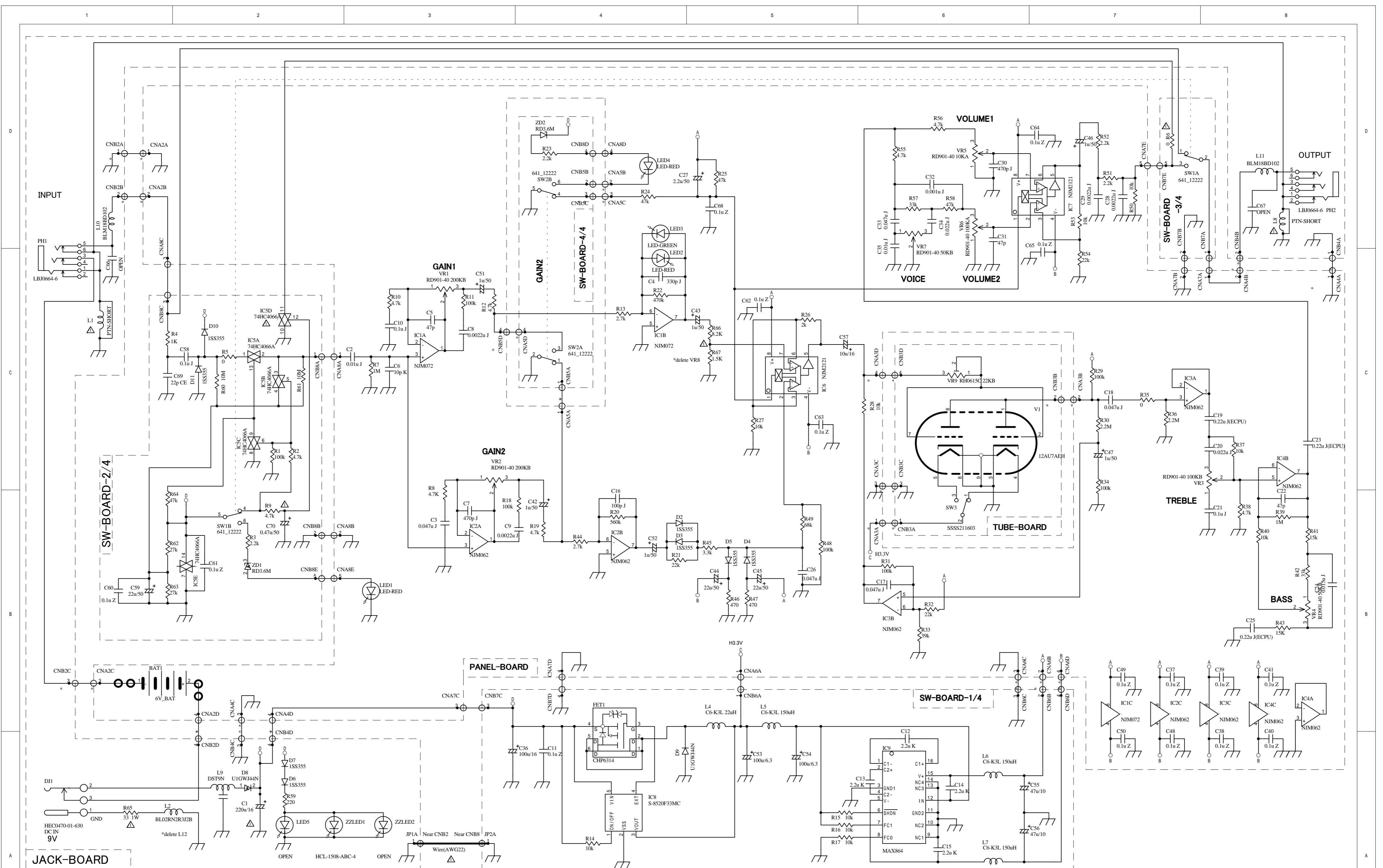
Issued date: November 15, 2005

Issued by: KORG INC.



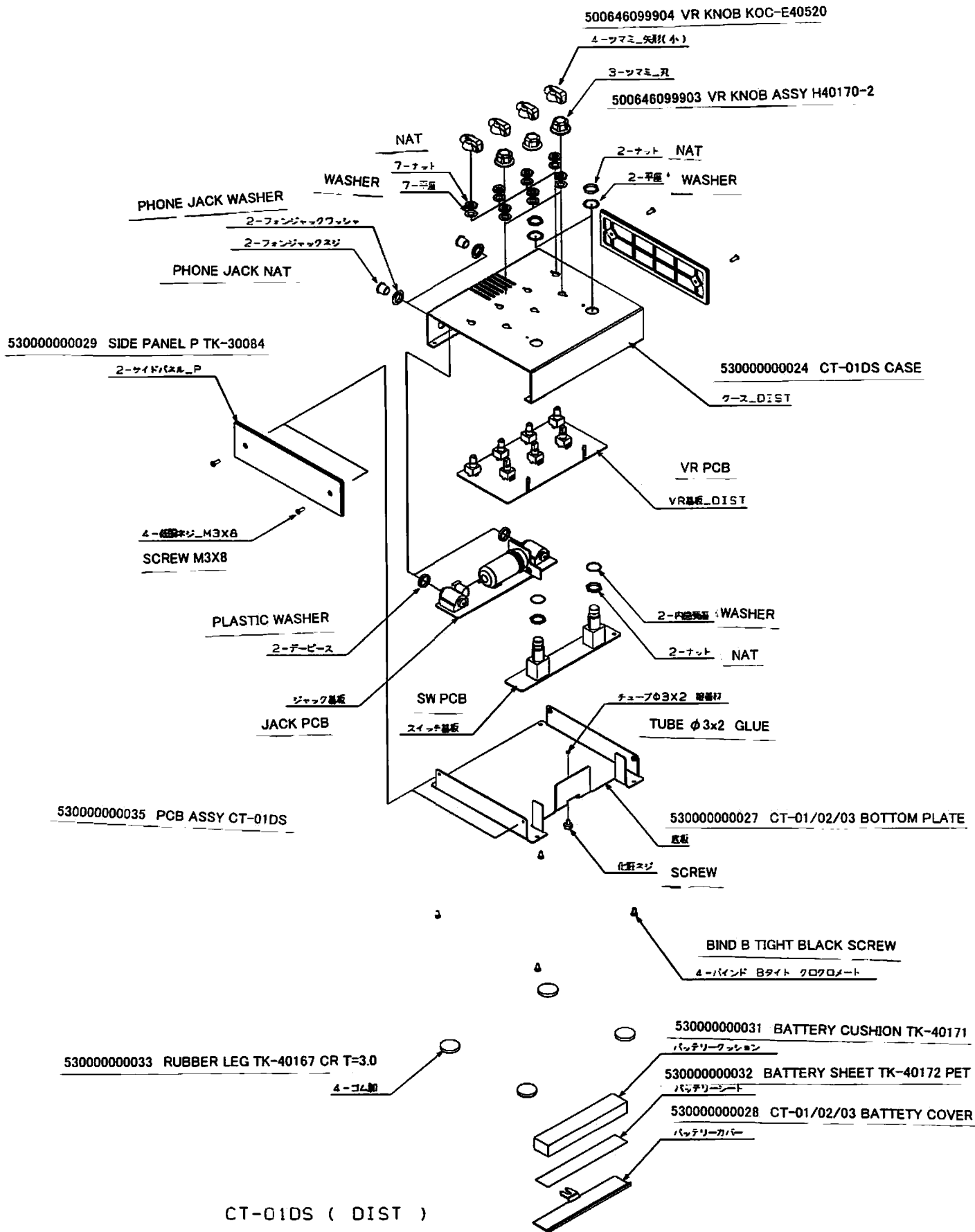
DRAWN BY	DESIGNED BY	CHECKED BY	MODEL CT-01DS (VOX Distortion)
Ichiro Ikeuchi	Ichiro Ikeuchi		TITLE
			BLOCK DIAGRAM
<b>KORG</b>		DRAWING NO.	DATE
		KOD-B40277	2005-03-29

△			
△			
△			
△			
△			
MARK	REVISION REASON	DATE	REVISED BY



1	Modified PCB	2005 Jan 06	R.Yoshikawa
MARK	REVISION REASON	DATE	REVISED BY

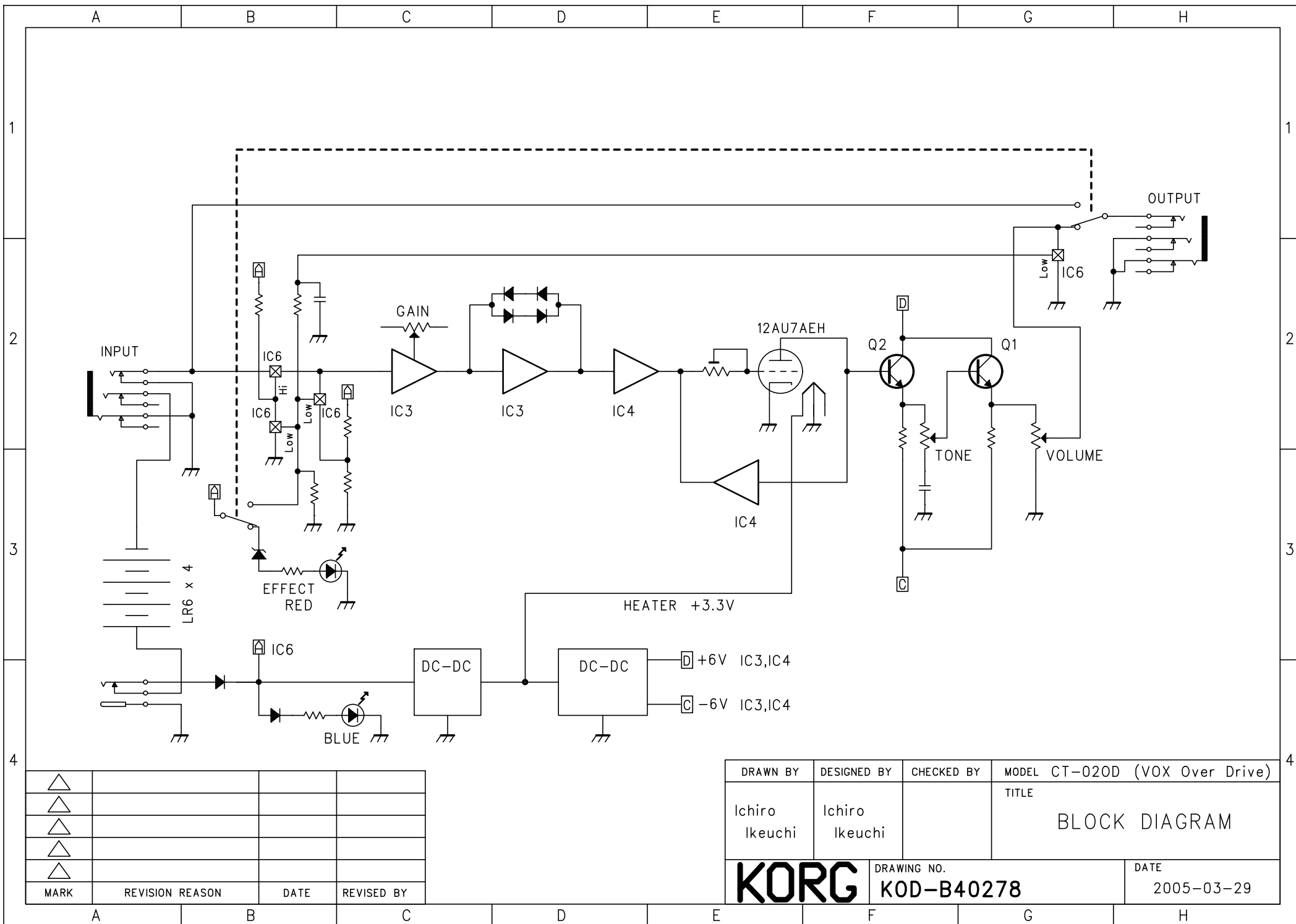
2004-12-20	2004-12-20	2004-12-20	2004-12-20	CT-01DS (VOX Distortion) 回路図
石橋	野島	飯塚	TK-30085	



CT-01DS ( DIST )

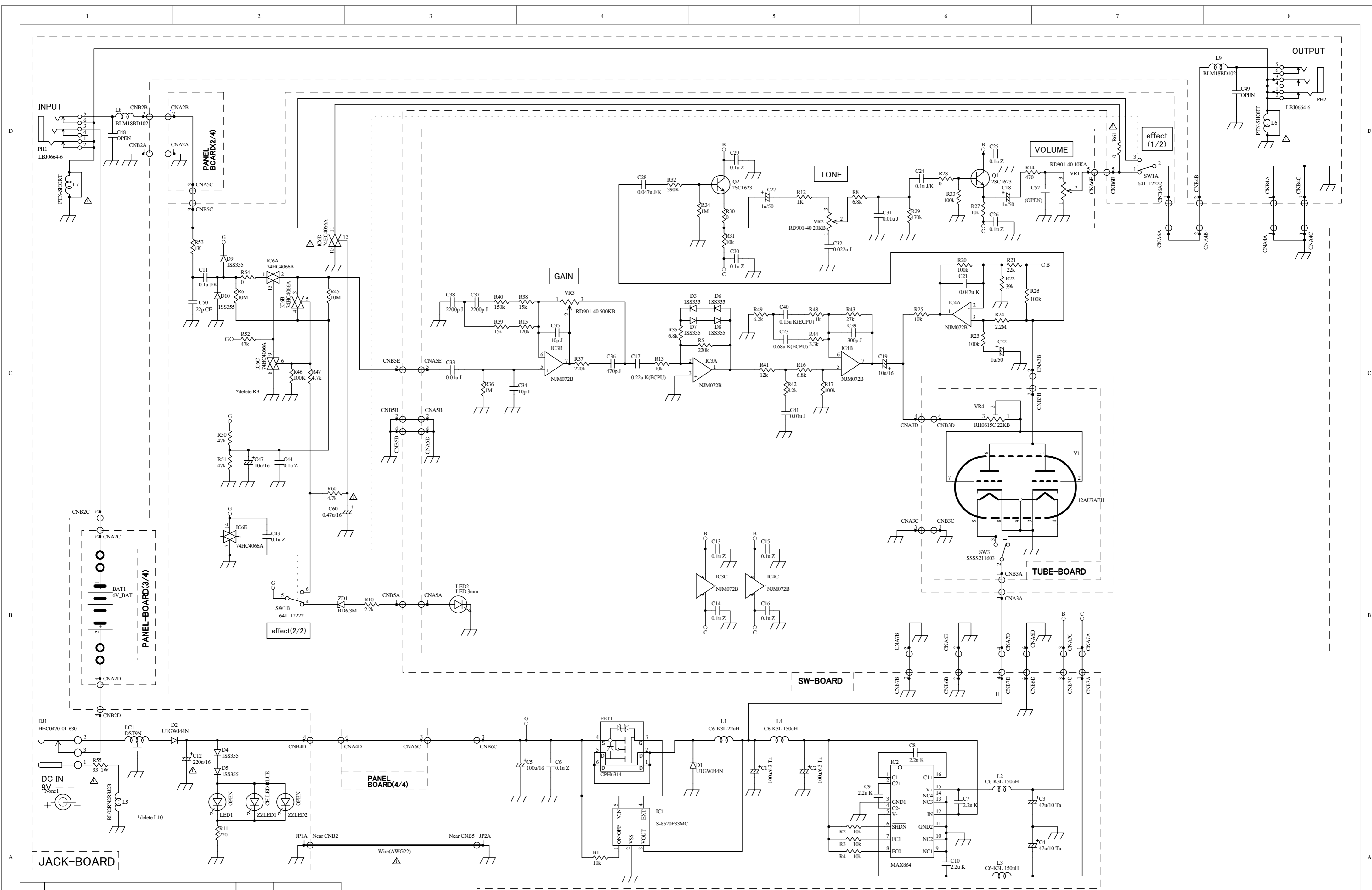
VOX CT-01DS Parts List

Code	Manufacturer	Part Name	QTY (CT-01DS)
530000000005	Huey Jann	LED HB36-446-ARA RED	3
530000000006	Huey Jann	LED HB3B-143 GREEN	1
530000000007	MURATA	BL02RN2R3J2B	1
530000000008	Lih-Sheng	PHONE JACK HLJB0664-6	2
530000000009	Carling	SWITCH SET 64112222-XKG2	2
500480010500	Electro-Harmonics	TUBE-SOCKET 01A-2109P-PC	1
500350002322	ALPS	SEMI-FIXD VR RH0615CJ4J 22KB	1
530000000010	Taiwan-Alpha	VR RD901-40-125F-B200K-00D	2
530000000011	Taiwan-Alpha	VR RD901-40-125F-B100K-00D	1
530000000012	Taiwan-Alpha	VR RD901-40-125F-B50K-00D	2
530000000013	Taiwan-Alpha	VR RD901-40-125F-A100K-00D	1
530000000014	Taiwan-Alpha	VR RD901-40-125F-A10K-00D	1
530000000017		HARNESS TK-40176-1	3
530000000019		HARNESS TK-40176-3	1
530000000020		HARNESS TK-40176-4	1
530000000021		HARNESS TK-40176-5	2
530000000022		HARNESS TK-40180-2 AWG22L=165	1
500465000010		VACUME TUBE 12AU7AEH	1
530000000024	Sakae Seisakusho	CT-01DS CASE	1
530000000027	Sakae Seisakusho	CT-01/02/03 BOTTOM PLATE	1
530000000028	Sakae Seisakusho	CT-01/02/03 BATTETY COVER	1
530000000029	Mitsuwa Jushi	SIDE PANEL P TK-30084	2
530000000030	Sakae Seisakusho	SOCKET METAL 16 TK-40175	1
530000000031	Athlete Kogyo	BATTERY CUSHION TK-40171	1
530000000032	Athlete Kogyo	BATTERY SHEET TK-40172 PET	1
530000000033	Shuetsu Seisakusho	RUBBER LEG TK-40167 CR T=3.0	4
530000000034	Comfortable Ele.	BATTERY BOX NO.BH-342B6	1
500646099903	KORG INC	VR KNOB ASSY H40170-2	3
500646099904	KORG INC	VR KNOB KOC-E40520	4
530000000035	Tohoku Koden	PCB ASSY CT-01DS	1
550D010177	ROHM	DIODE 1SS355TE-17	8
500314002400	TOSHIBA	SBD U1GWJ44N	2
500454006200	HOSHIDEN	DC JACK HEC-0470-01-630	1
530000000038	Murata	EMI FILTER DST9ND31H223	1
530000000039	SANYO	FET CPH6314-TL-E	1
530000000040	TOSHIBA	IC TC74HC4066	1
530000000041	MAXIM	IC MAX864EEE-T	1
530000000042	JRC	IC NJM062M	3
550324X65004	JRC	IC NJM072BM	1
530000000043	JRC	IC NJM2121M	2
500324023008	SII	IC S-8520F33MC-BNS-T2	1
530000000044	Huey Jann	CHIP LED HCL-1508ABC-4 BLUE	1
550404X051001	MITSUMI	INDUCTOR C6-K3L 22UH/C6-K3L	1
530000000045	MITSUMI	INDUCTOR C6-K3L 150UH/C6-K3L	3
550402X254001	Murata	INDUCTOR BLM18BD102SN1D	2
530000000046	NEC	ZENER DIODE RD3.6M-T2B	2



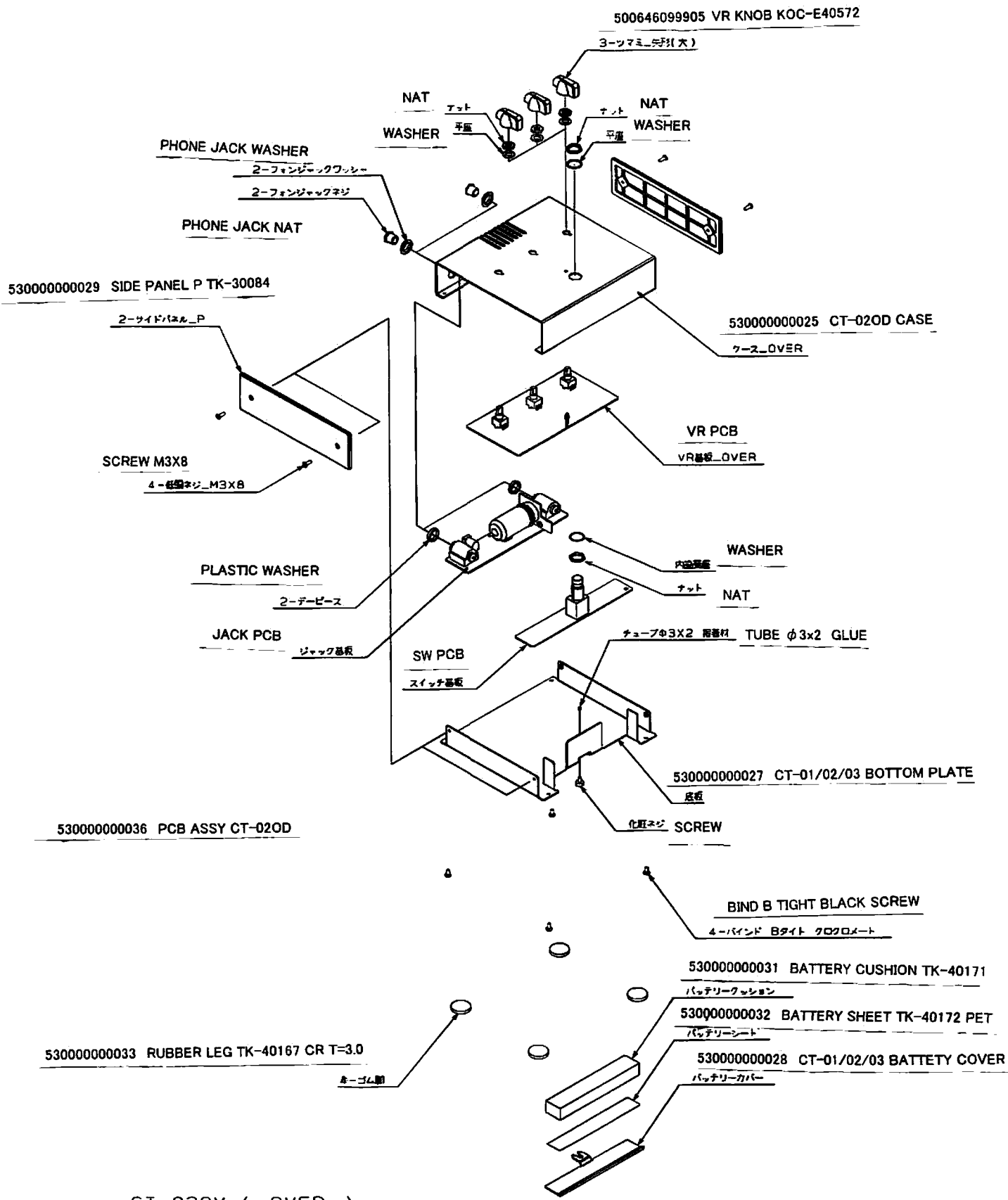
△			
△			
△			
△			
△			
MARK	REVISION REASON	DATE	REVISED BY

DRAWN BY	DESIGNED BY	CHECKED BY	MODEL CT-020D (VOX Over Drive)
Ichiro Ikeuchi	Ichiro Ikeuchi		TITLE
			BLOCK DIAGRAM
<b>KORG</b>		DRAWING NO.	DATE
		KOD-B40278	2005-03-29



1	Modified PCB	2005 Jan 06	R.Yoshikawa
MARK	REVISION REASON	DATE	REVISED BY

Ydev	o ]	€Y ]	”F	1	CT-02OD (VOX Over Drive)
2004-12-20	2004-12-20	2004-12-20	2004-12-20		回路図
	石橋	野島	飯塚	1”0	TK-30086

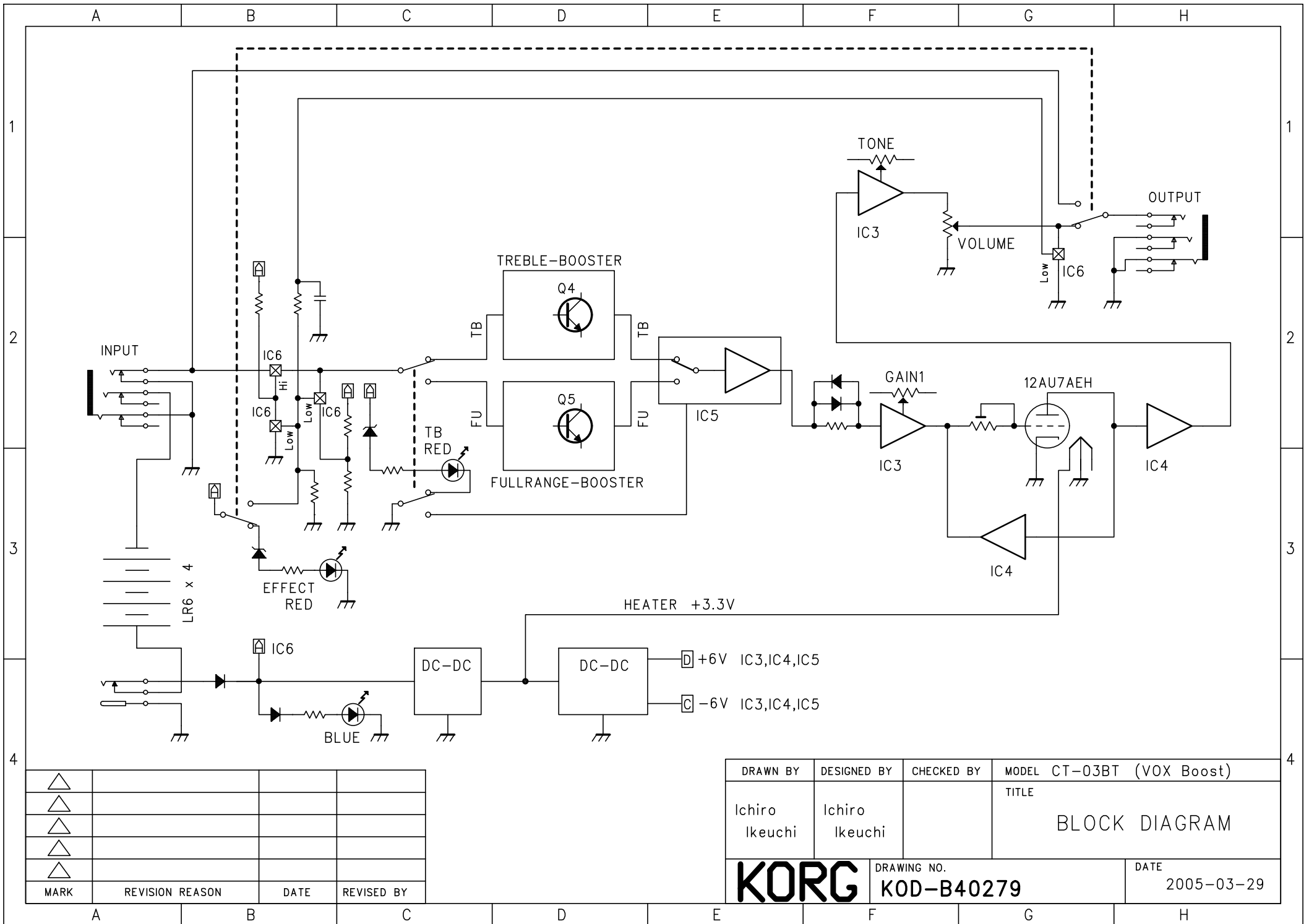


CT-020V ( OVER )



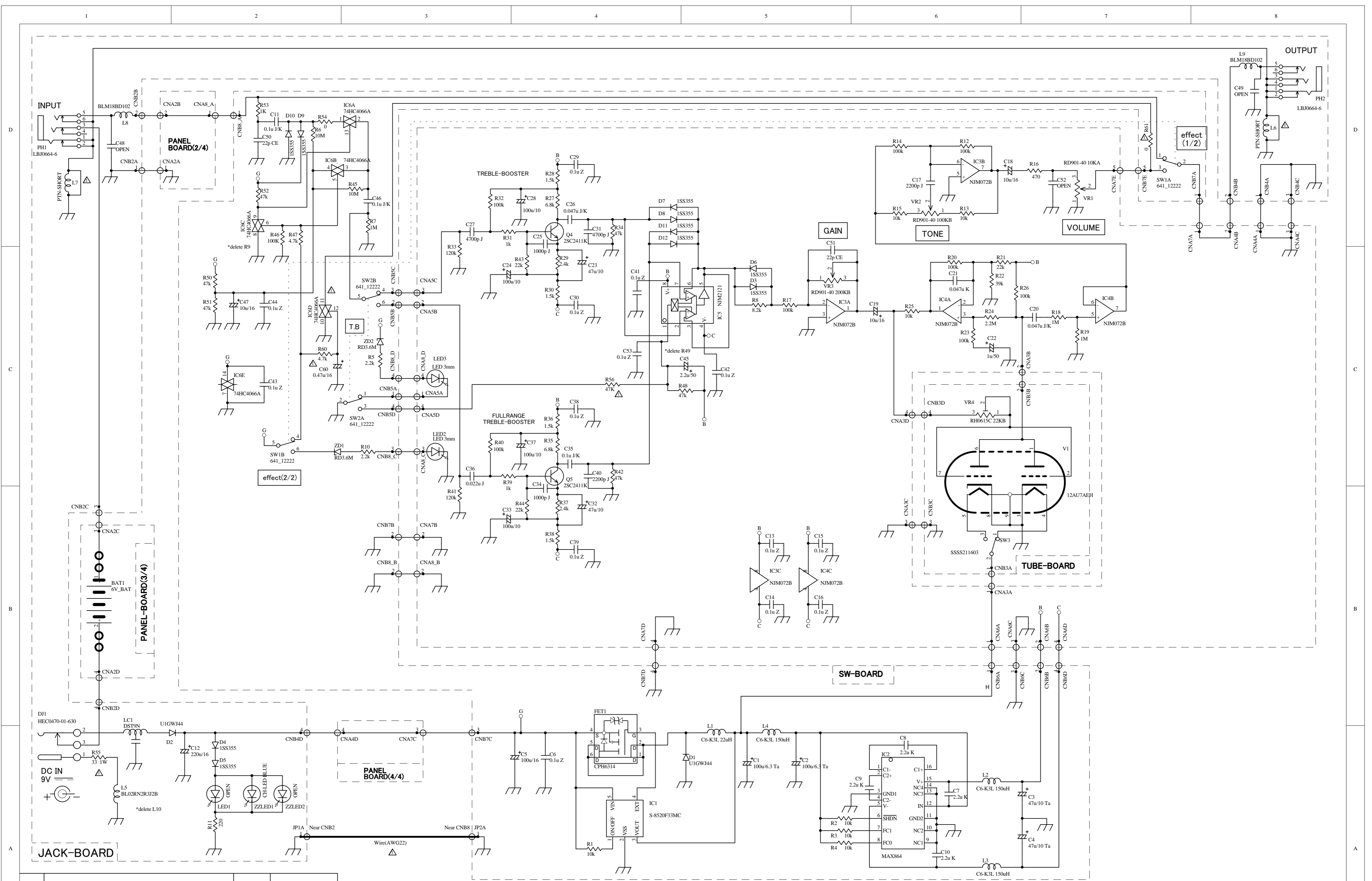
VOX CT-020D Parts List

Code	Manufacturer	Part Name	QTY (CT-020D)
530000000005	Huey Jann	LED HB36-446-ARA RED	1
530000000007	MURATA	BL02RN2R3J2B	1
530000000008	Lih-Sheng	PHONE JACK HLJB0664-6	2
530000000009	Carling	SWITCH SET 64112222-XKG2	1
500480010500	Electro-Harmonics	TUBE-SOCKET 01A-2109P-PC	1
500350002322	ALPS	SEMI-FIXD VR RH0615CJ4J 22KB	1
530000000014	Taiwan-Alpha	VR RD901-40-125F-A10K-00D	1
530000000015	Taiwan-Alpha	VR RD901-40-125F-B20K-00D	1
530000000016	Taiwan-Alpha	VR RD901-40-125F-B500K-00D	1
530000000017		HARNESS TK-40176-1	1
530000000018		HARNESS TK-40176-2	2
530000000019		HARNESS TK-40176-3	1
530000000021		HARNESS TK-40176-5	2
530000000023		HARNESS TK-40180-1 AWG22L=95	1
500465000010		VACUME TUBE 12AU7AEH	1
530000000025	Sakae Seisakusho	CT-020D CASE	1
530000000027	Sakae Seisakusho	CT-01/02/03 BOTTOM PLATE	1
530000000028	Sakae Seisakusho	CT-01/02/03 BATTETY COVER	1
530000000029	Mitsuwa Jushi	SIDE PANEL P TK-30084	2
530000000030	Sakae Seisakusho	SOCKET METAL 16 TK-40175	1
530000000031	Athlete Kogyo	BATTERY CUSHION TK-40171	1
530000000032	Athlete Kogyo	BATTERY SHEET TK-40172 PET	1
530000000033	Shuetsu Seisakusho	RUBBER LEG TK-40167 CR T=3.0	4
530000000034	Comfortable Ele.	BATTERY BOX NO.BH-342B6	1
500646099905	KORG INC	VR KNOB KOC-E40572	3
530000000036	Tohoku Kodan	PCB ASSY CT-020D	1
550D010177	ROHM	DIODE 1SS355TE-17	8
500304020150	NEC	TR 2SC1623-T1B(L6)	2
500314002400	TOSHIBA	SBD U1GWJ44N	2
500454006200	HOSHIDEN	DC JACK HEC-0470-01-630	1
530000000038	Murata	EMI FILTER DST9ND31H223	1
530000000039	SANYO	FET CPH6314-TL-E	1
530000000040	TOSHIBA	IC TC74HC4066	1
530000000041	MAXIM	IC MAX864EEE-T	1
550324X65004	JRC	IC NJM072BM	2
500324023008	SII	IC S-8520F33MC-BNS-T2	1
530000000044	Huey Jann	CHIP LED HCL-1508ABC-4 BLUE	1
550404X051001	MITSUMI	INDUCTOR C6-K3L 22UH/C6-K3L	1
530000000045	MITSUMI	INDUCTOR C6-K3L 150UH/C6-K3L	3
550402X254001	Murata	INDUCTOR BLM18BD102SN1D	2
530000000046	NEC	ZENER DIODE RD3.6M-T2B	1



△			
△			
△			
△			
△			
MARK	REVISION REASON	DATE	REVISED BY

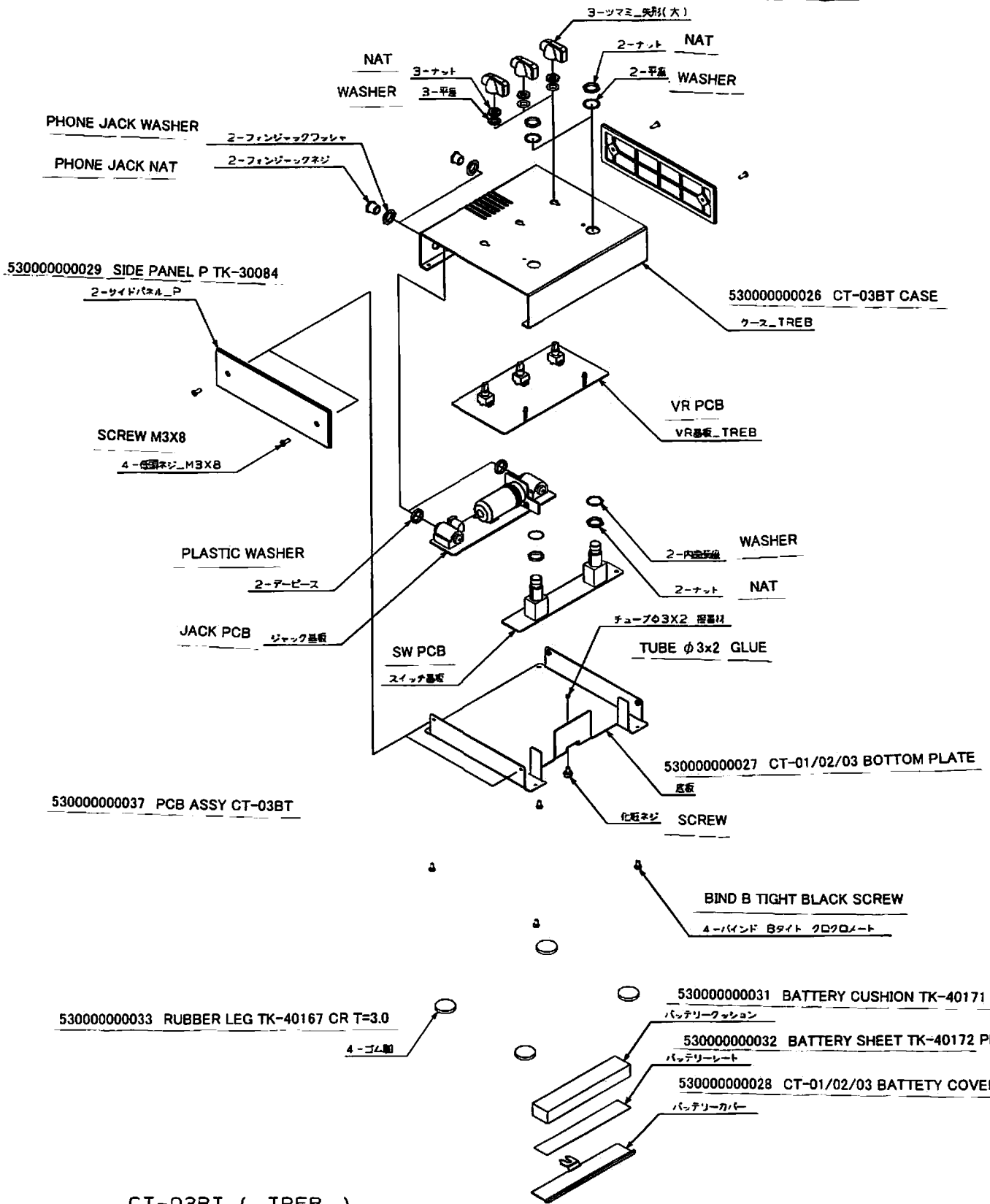
DRAWN BY	DESIGNED BY	CHECKED BY	MODEL CT-03BT (VOX Boost)
Ichiro Ikeuchi	Ichiro Ikeuchi		TITLE
			BLOCK DIAGRAM
<b>KORG</b>		DRAWING NO.	DATE
		KOD-B40279	2005-03-29



MARK	REVISION REASON	DATE	REVISED BY
1	Modified PCB	2005 Jan 06	R.Yoshikawa

YDEV	0 ]	DEV ]	DATE	CT-03BT ( VOX Boost ) 回路図
2004-12-20	2004-12-20	2004-12-20	2004-12-20	
	石橋	野島	飯塚	TK-30087

500646099905 VR KNOB KOC-E40572



CT-03BT ( TREB )

VOX CT-03BT Parts List

Code	Manufacturer	Part Name	QTY (CT-03BT)
530000000005	Huey Jann	LED HB36-446-ARA RED	2
530000000007	MURATA	BL02RN2R3J2B	1
530000000008	Lih-Sheng	PHONE JACK HLJB0664-6	2
530000000009	Carling	SWITCH SET 64112222-XKG2	2
500480010500	Electro-Harmonics	TUBE-SOCKET 01A-2109P-PC	1
500350002322	ALPS	SEMI-FIXD VR RH0615CJ4J 22KB	1
530000000010	Taiwan-Alpha	VR RD901-40-125F-B200K-00D	1
530000000011	Taiwan-Alpha	VR RD901-40-125F-B100K-00D	1
530000000014	Taiwan-Alpha	VR RD901-40-125F-A10K-00D	1
530000000017		HARNESS TK-40176-1	3
530000000018		HARNESS TK-40176-2	3
530000000021		HARNESS TK-40176-5	1
530000000022		HARNESS TK-40180-2 AWG22L=165	1
500465000010		VACUME TUBE 12AU7AEH	1
530000000026	Sakae Seisakusho	CT-03BT CASE	1
530000000027	Sakae Seisakusho	CT-01/02/03 BOTTOM PLATE	1
530000000028	Sakae Seisakusho	CT-01/02/03 BATTETY COVER	1
530000000029	Mitsuwa Jushi	SIDE PANEL P TK-30084	2
530000000030	Sakae Seisakusho	SOCKET METAL 16 TK-40175	1
530000000031	Athlete Kogyo	BATTERY CUSHION TK-40171	1
530000000032	Athlete Kogyo	BATTERY SHEET TK-40172 PET	1
530000000033	Shuetsu Seisakusho	RUBBER LEG TK-40167 CR T=3.0	4
530000000034	Comfortable Ele.	BATTERY BOX NO.BH-342B6	1
500646099905	KORG INC	VR KNOB KOC-E40572	3
530000000037	Tohoku Koden	PCB ASSY CT-03BT	1
550D010177	ROHM	DIODE 1SS355TE-17	10
550304X863G01	ROHM	TR 2SC2411KT-146Q	2
500314002400	TOSHIBA	SBD U1GWJ44N	2
500454006200	HOSHIDEN	DC JACK HEC-0470-01-630	1
530000000038	Murata	EMI FILTER DST9ND31H223	1
530000000039	SANYO	FET CPH6314-TL-E	1
530000000040	TOSHIBA	IC TC74HC4066	1
530000000041	MAXIM	IC MAX864EEE-T	1
550324X65004	JRC	IC NJM072BM	2
530000000043	JRC	IC NJM2121M	1
500324023008	SII	IC S-8520F33MC-BNS-T2	1
530000000044	Huey Jann	CHIP LED HCL-1508ABC-4 BLUE	1
550404X051001	MITSUMI	INDUCTOR C6-K3L 22UH/C6-K3L	1
530000000045	MITSUMI	INDUCTOR C6-K3L 150UH/C6-K3L	3
550402X254001	Murata	INDUCTOR BLM18BD102SN1D	2
530000000046	NEC	ZENER DIODE RD3.6M-T2B	2