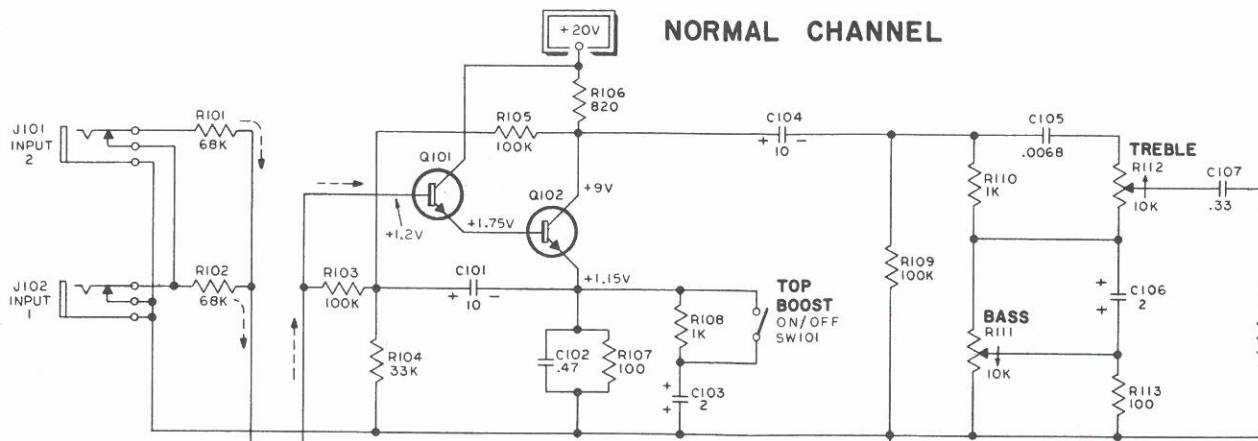
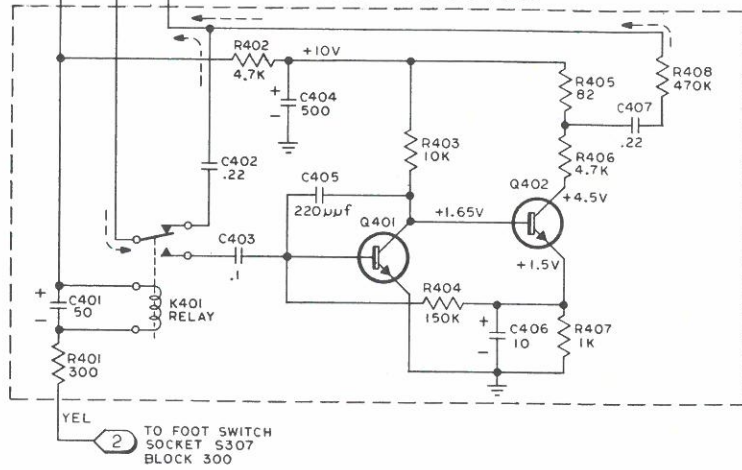


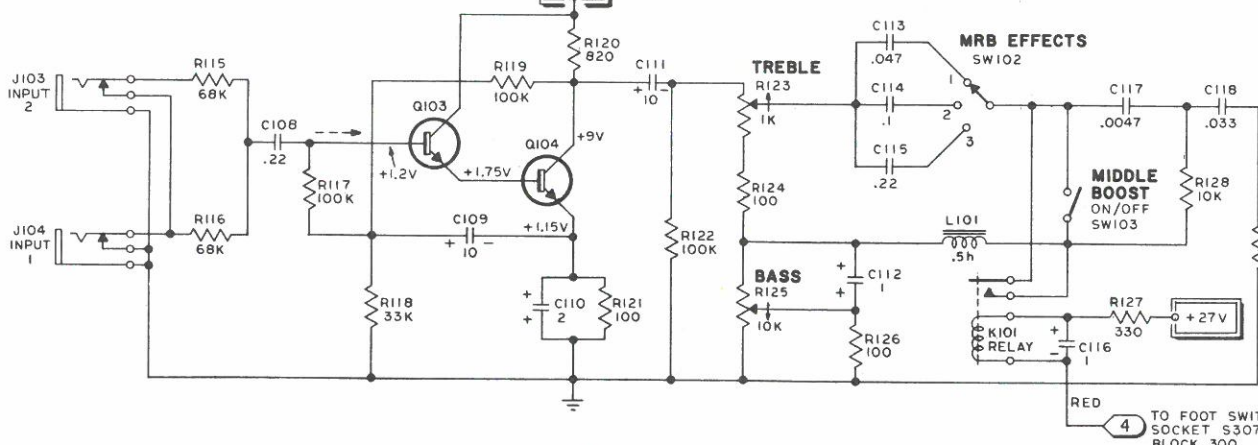
BLOCK 100



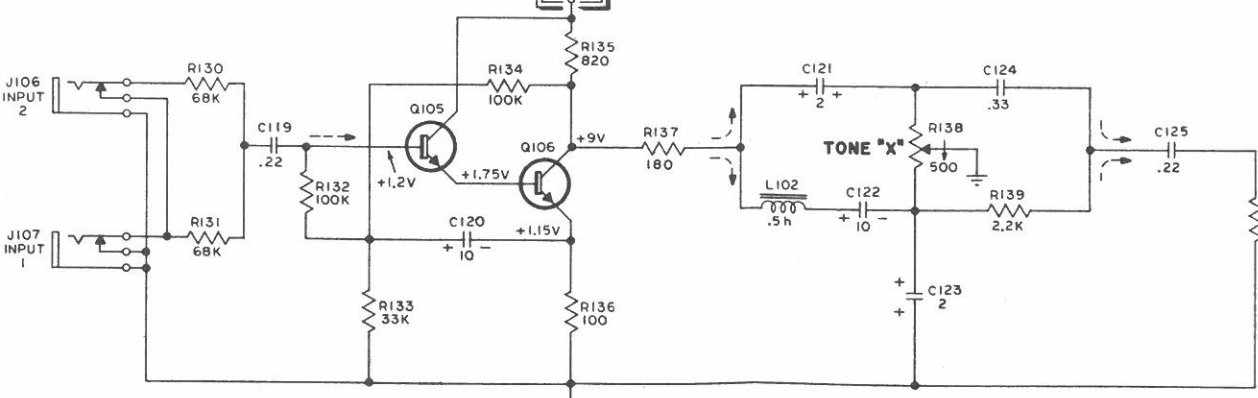
BLOCK 400 DISTORTION BOOSTER



BRILLIANT CHANNEL



BASS CHANNEL



BLOCK 200

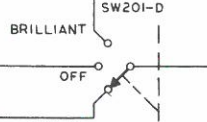
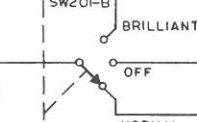
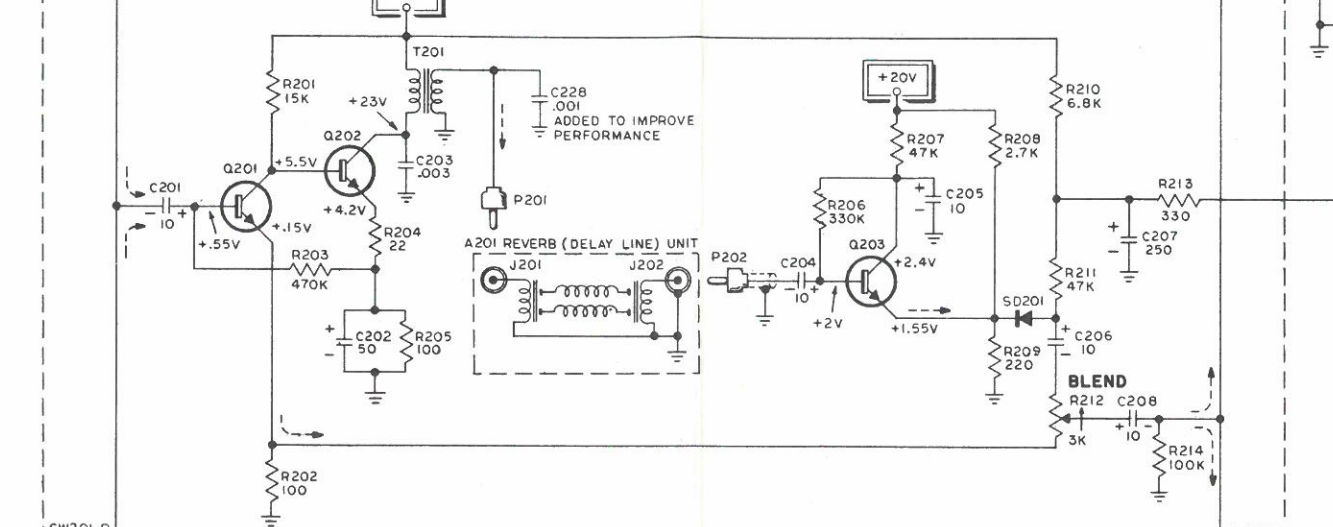
REVERB CHANNEL SW201-A



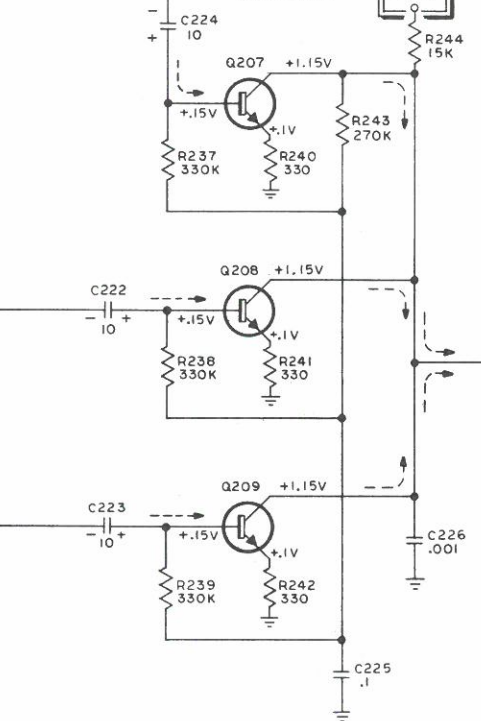
REVERB CHANNEL SW201-C



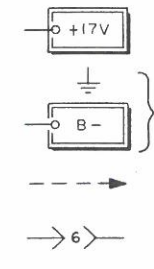
REVERB



MIXER



GENERAL INFORMATION



This symbol denotes the common connecting points for the various power supply connections throughout the organ. Note that several of these points are marked "source" which denotes the origin of the reference potential.

These symbols both represent B- (amplifier chassis ground).

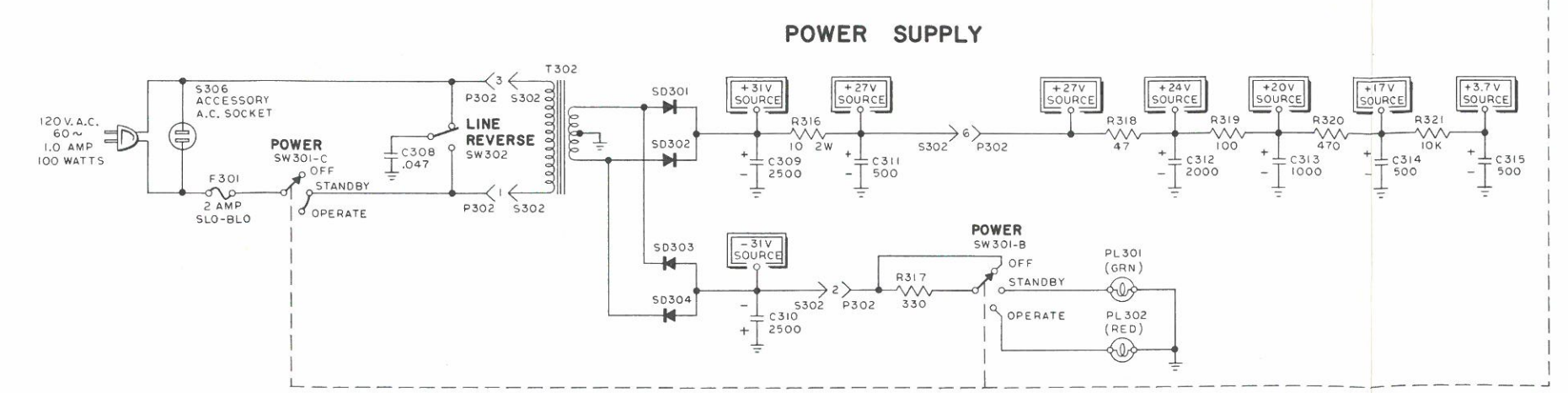
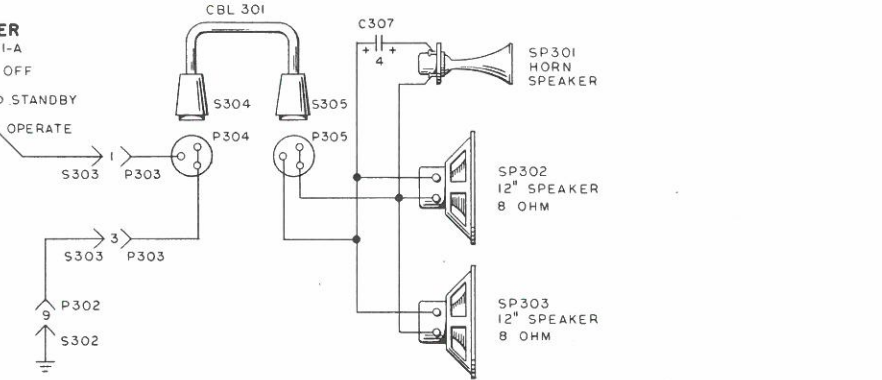
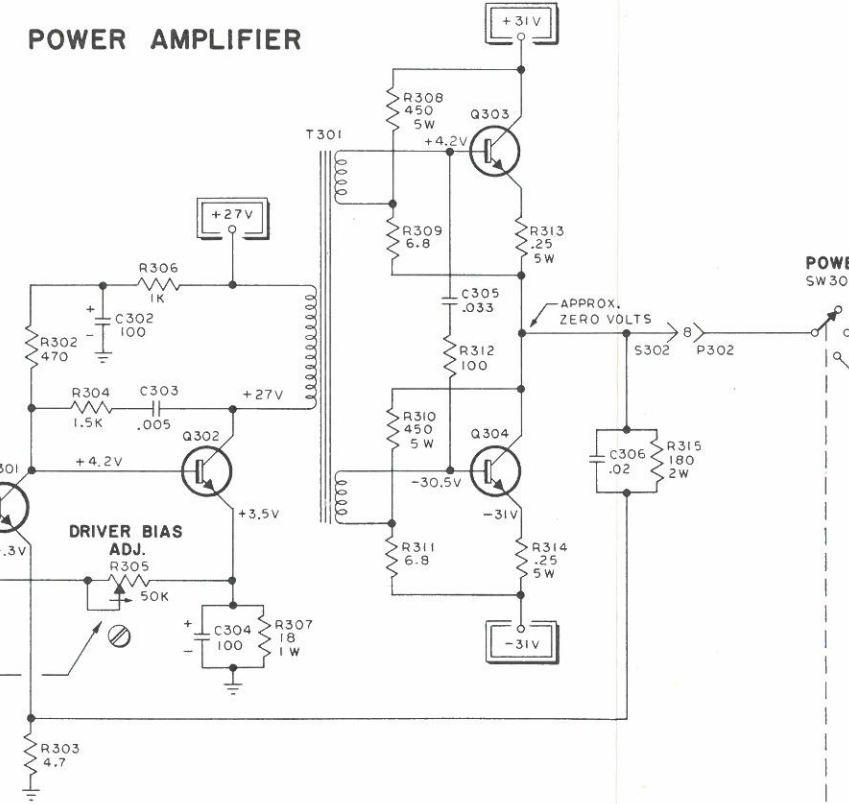
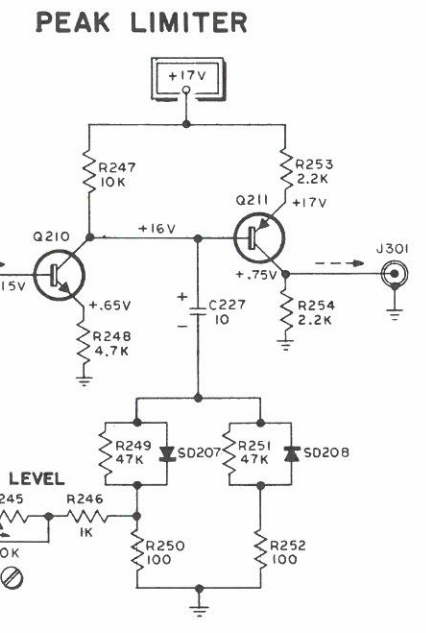
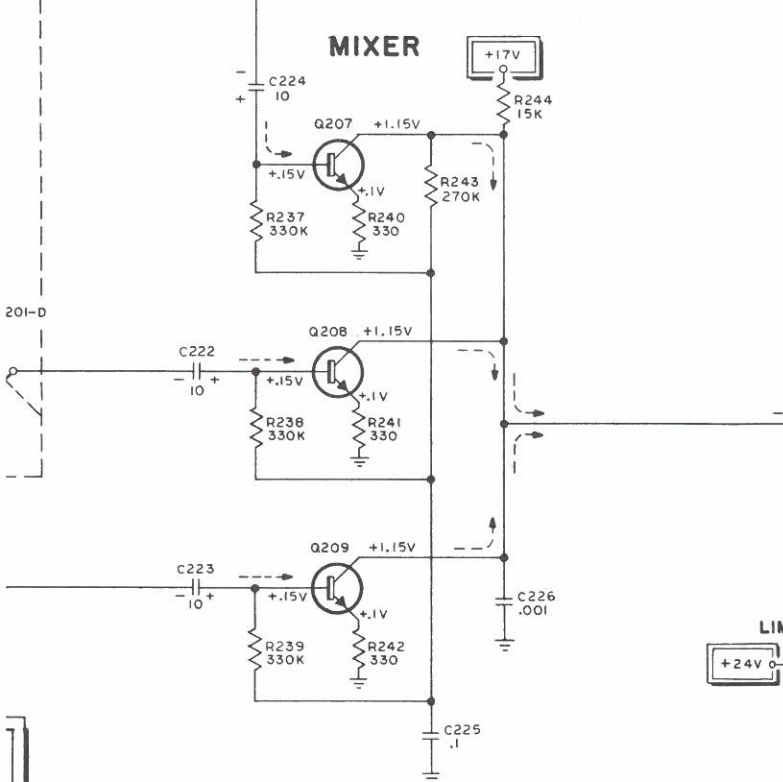
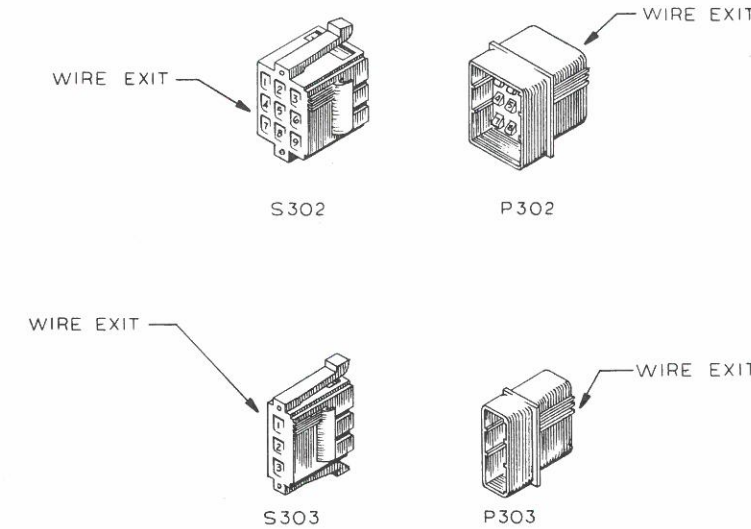
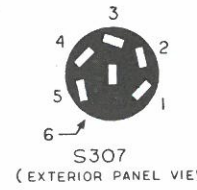
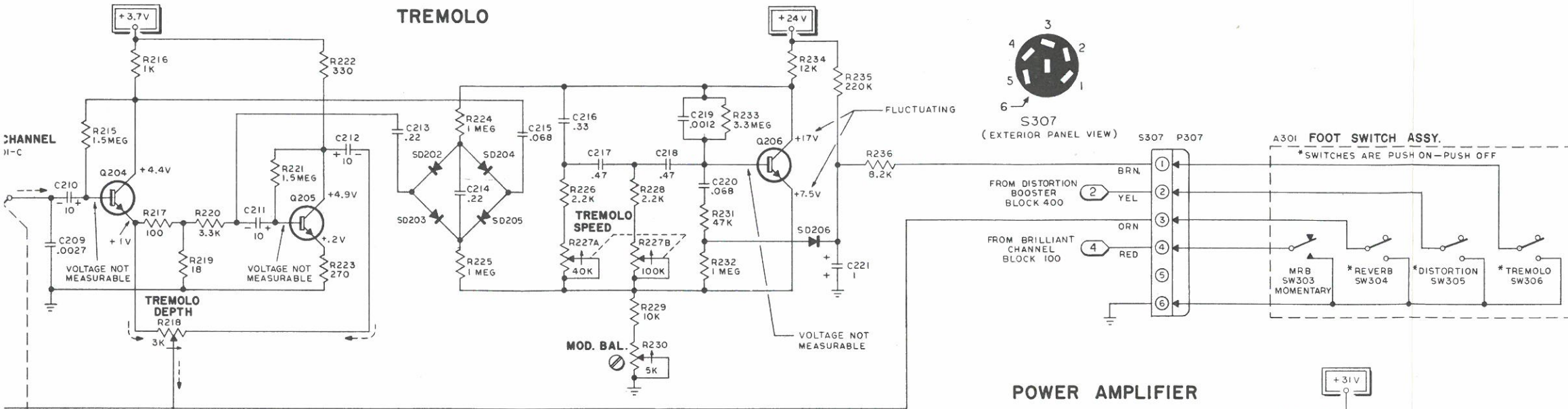
Arrows indicate the direction of audio signal flow through the circuits.

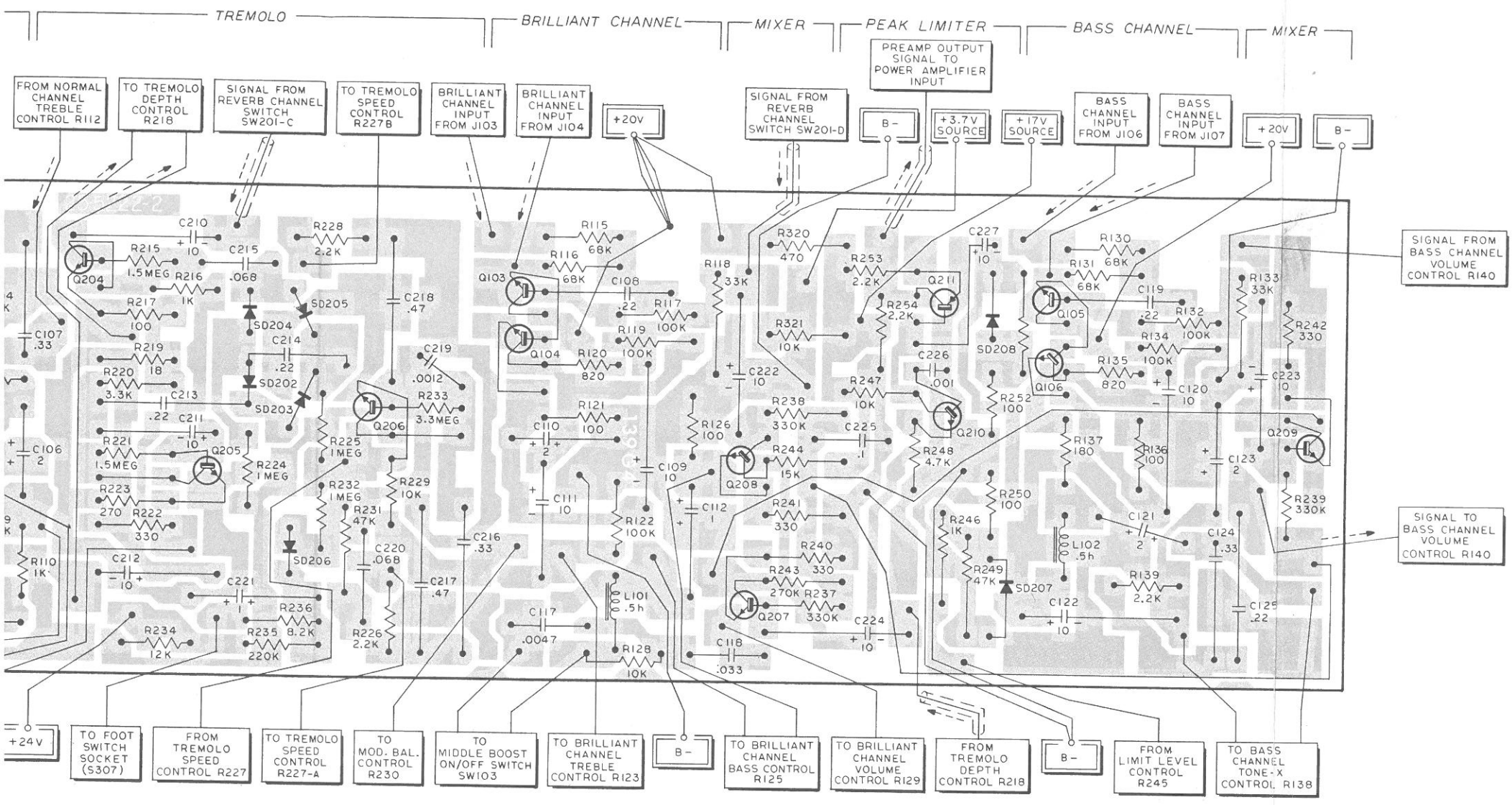
This symbol indicates plug and socket terminal connections. Where it is not practical to draw the assembly as a complete unit.

1. All capacitors in MFD unless otherwise indicated.
2. All resistors 1/2W 10% unless otherwise indicated.
3. All voltage readings made with 20,000 ohm per volt meter (voltages $\pm 10\%$) with no signal applied.
4. Arrow drawn on pot. arm indicates clockwise rotation.

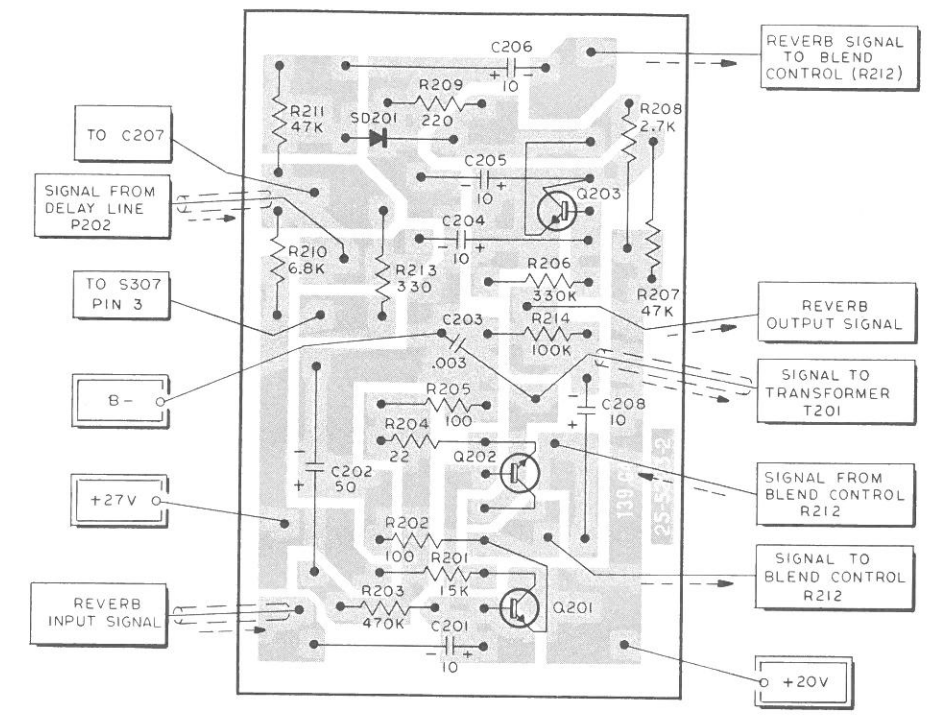
120 V. A.C.
60 ~
1.0 AMP
100 WATTS

BLOCK 300

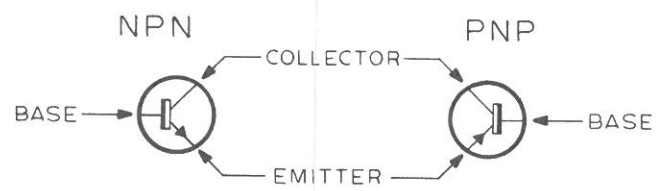
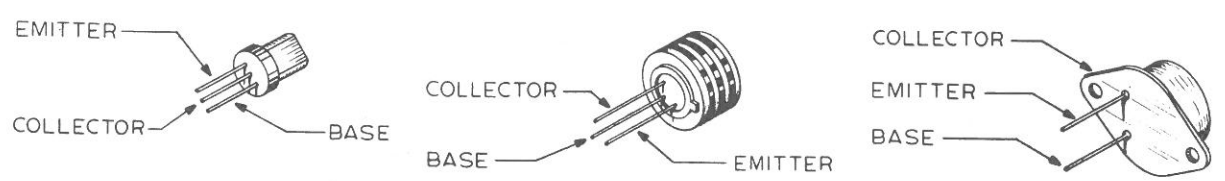




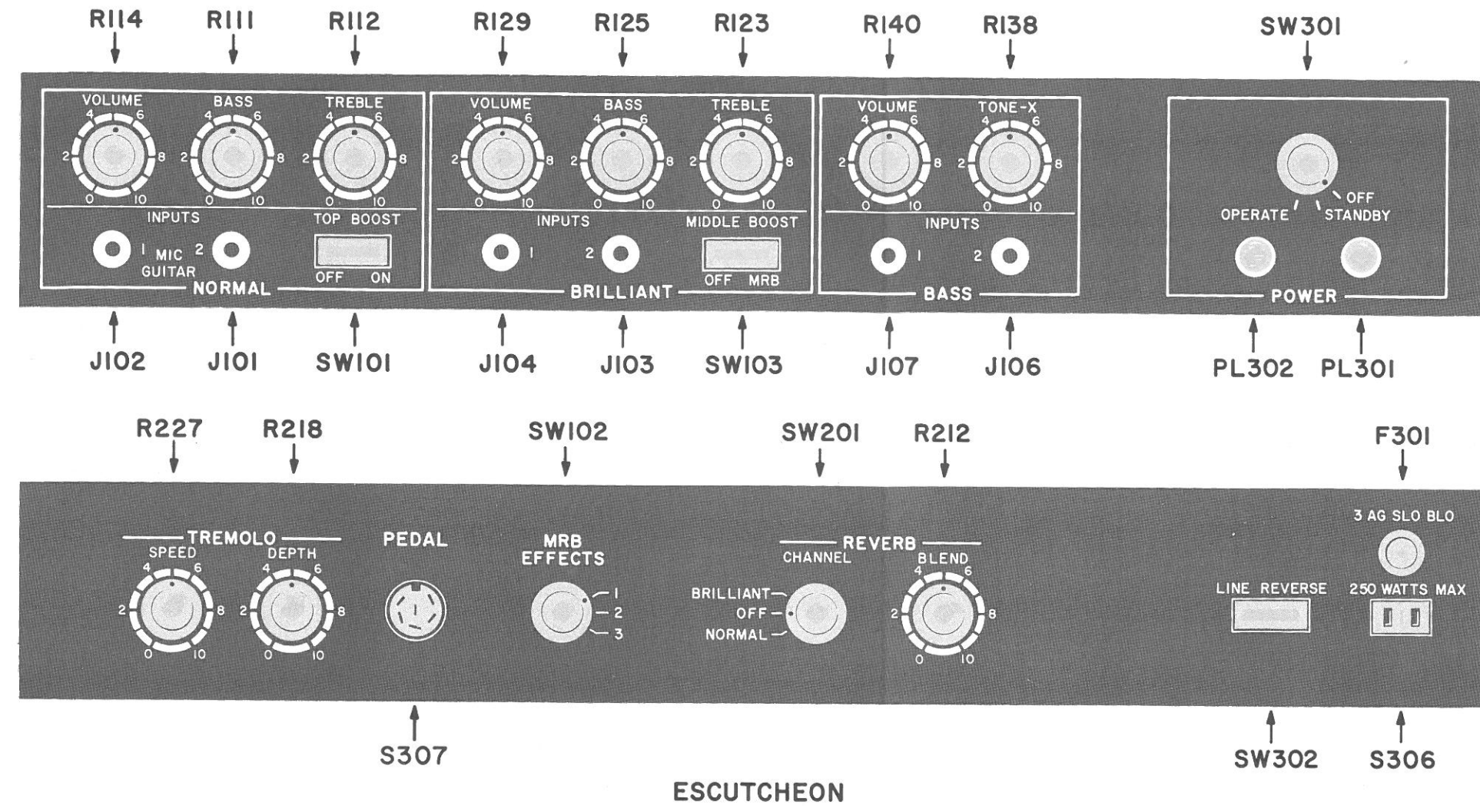
PREAMP P.C. BOARD & COMPONENTS
84-18443
 (SHOWN COPPER SIDE UP)



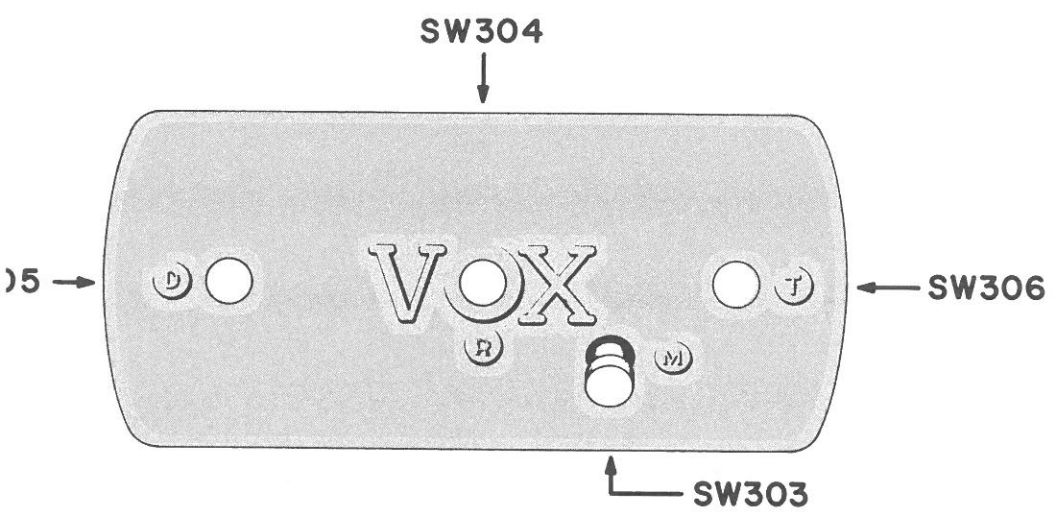
REVERB P.C. BOARD & COMPONENTS
84-18007
 (SHOWN COPPER SIDE UP)



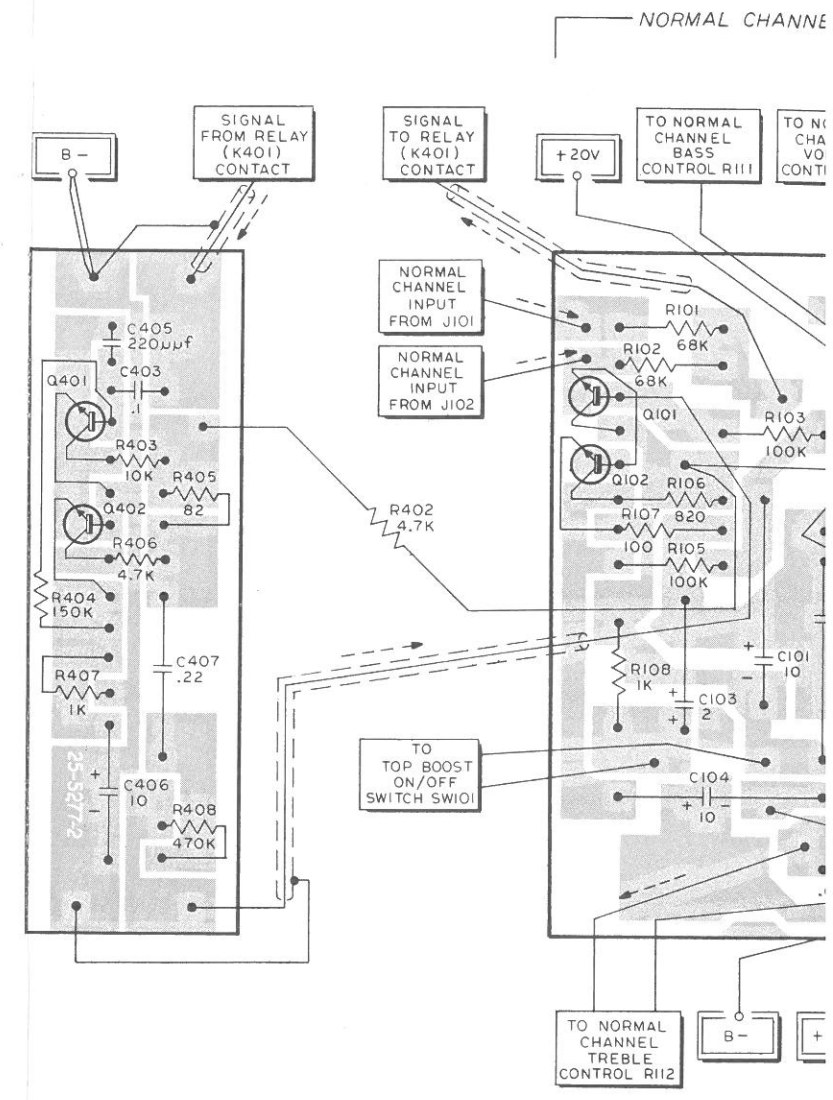
TRANSISTOR INFORMATION



ESCUTCHEON



FOOT SWITCH ASSEMBLY
84-18441



DISTORTION BOOSTER
P.C. BOARD & COMPONENTS
84-18444
(SHOWN COPPER SIDE UP)