

# RELATED PARTS LIST

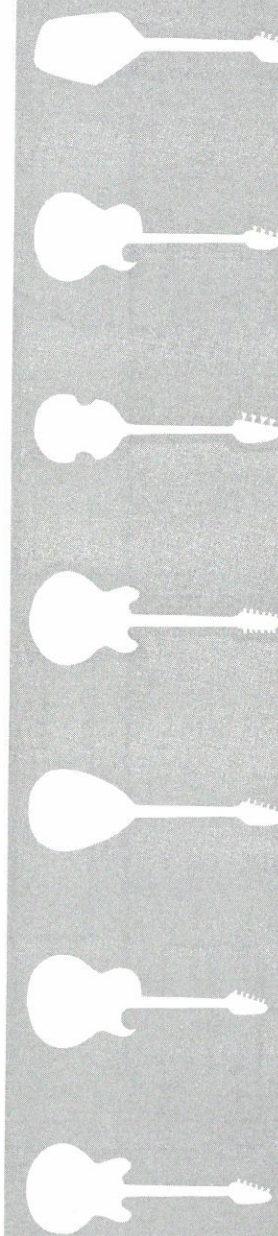
DESCRIPTION
<b>BODY ASSEMBLY</b>
Acoustical Body (Specify Color) Electronics Cover (Plastic - 6 1/2" dia.) ... Mounting Screw (#3 x 3/8" rd.) Non-slip Pad (W/Snaps - 12") Snap Button & Screw Assy. (Pad) Strap Button & Screw Assy. Slide Switch Cover (W/Mtg. Screw - Wah-Wah) Slide Switch Cover (W/Mtg. Screw - "E" Tuner)
<b>PICK GUARD</b>
... Mtg. Screw & Spacer Assy. ... Support Rod Spacer & Screw Assy. ... Support Rod ... Support Rod Mtg. Bracket & Spacer Assy. ... Mtg. Screw
<b>NECK ASSEMBLY W/MACHINE HEADS</b>
... Mtg. Screw (#10 x 1-3/4" Oval) Machine Head (Single) ... Mtg. Screw (#2 x 5/8" Oval) Machine Head Eyelet String Cleat, Spacer & Screw Assy. Bridge Nut (Aluminum) Fret Wire (Wide - Order Per Foot) Fret Wire (Narrow - Order Per Foot) Neck Rear Cover Plate (Trapezoidal) ... Mtg. Screw (#10 x 1-3/4" Oval)
<b>ADJUSTABLE BRIDGE ASSEMBLY</b>
Bridge Stand (Wood) ... Adjustment Nut (Chrome)
<b>TREMOLO TAILPIECE ASSEMBLY</b>
... Tailpiece Mtg. Screw (#6 x 1" Oval) ... Tailpiece Screw & Flange Nut Assy. Tailpiece Frame (W/Inlay) ... Wood Panel Inlay (W/Logo) Tremolo Spring Roller Bar (W/Pins) ... String Mtg. Pin Retaining Ring (Roller Bar) Action Arm ... Mtg. Screw (#10 x 32 Allen Head) Tremolo Arm (W/Knob) ... Knob (Only) Tremolo Arm Mtg. Screw (#10 x 32 rd.) Tremolo Arm Mtg. Washer (Leather) Tremolo Arm Mtg. Washer (Metal) Tremolo Arm Mtg. Nut (#10 x 32 Hex.) String Tension Bar Retaining Ring (Tension Bar)

INDEX NO.	PART NO.	DESCRIPTION
37	09-3325-0	Single Notch Aluminum Rollers
	09-3324-0	...String "E" - 1
	09-3323-0	...String "B" - 2
	09-3322-0	...String "G" - 3
	09-3321-0	...String "D" - 4
	09-3320-0	...String "A" - 5 ...String "E" - 6
		<b>WAH-WAH LEVER ASSEMBLY</b>
38	09-3901-0	Slide Pot. Assy.
	09-3906-0	... Mtg. Bracket
39	09-3787-0	Actuator & Mount Assy. (W/Screw)
40	09-3788-0	Lever
41	09-3923-0	Return Spring
		<b>ELECTRONIC COMPONENTS</b>
42	09-3902-0	Distortion, Treble-Bass, Repeat, Wah-Wah Modules & P. C. Board Assy.
	09-3707-0	... Treble-Bass Boost Module
	09-3708-0	... Distortion Module
	09-3755-0	... Repeat Module
	09-3786-0	... Wah-Wah Module
	09-3903-0	... P. C. Board (Only)
	09-3710-0	... 100 uF 12V (Electro.) Capacitor
	09-3711-0	... 10 uF 15V (Electro.) Capacitor
43	66-5000-0	9V Transistor Battery
44	09-3842-0	Battery Clamp & Screw Assy.
	09-6202-0	... Battery Clip & Cable Assy.
45	09-3703-0	"E" Tuner Assy.
	09-3704-0	... Tuning Coil
	09-3705-0	... P. C. Board (Only)
46	09-1027-0	100k Ohm Linear Pot. (Tone)
47	09-3766-0	Knob (Tone 2)
48	09-105-0	.047 uF 150V (Capacitor)
49	09-3719-0	Knob (Tone 1)
50	09-3716-0	.094 uF 125V (Capacitor)
51	09-1028-0	500k Ohm Log. Pot. (Volume)
52	09-3720-0	Knob (Volume 1)
53	09-3765-0	100k Ohm "BR" Pot. (Repeat)
54	09-3767-0	Knob (Repeat)
55	09-3714-0	1.5k Ohm Pot. (Distortion)
56	09-3721-0	Knob (Distortion)
	09-3718-0	... Set Screw (All Knobs)
57	09-3715-0	500k Ohm "B" Pot. (TR-B Boost)
58	09-3722-0	Knob (TR-B Boost)
59	09-3029-0	Phone Jack (Stereo)
60	09-3884-0	Control & Switch Plate (W/Mtg. Screw)
61	09-3717-0	Dial Pointer
62	09-3772-0	Toggle Switch (W/Knob - 3 Position)
	09-3773-0	... Knob (Only)
63	09-3761-0	Pickup Assy. (Treble)
64	09-3883-0	... Mtg. Bracket (Treble)
65	09-3757-0	Pickup Adjusting Screw & Spring Assy.
66	09-3759-0	Pickup Assy. (Bass)
67	09-3762-0	... Mtg. Bracket (Bass)
68	09-3713-0	Slide Switch (D. P. S. T.)

# GUITAR

SERVICE INFORMATION

© 1968



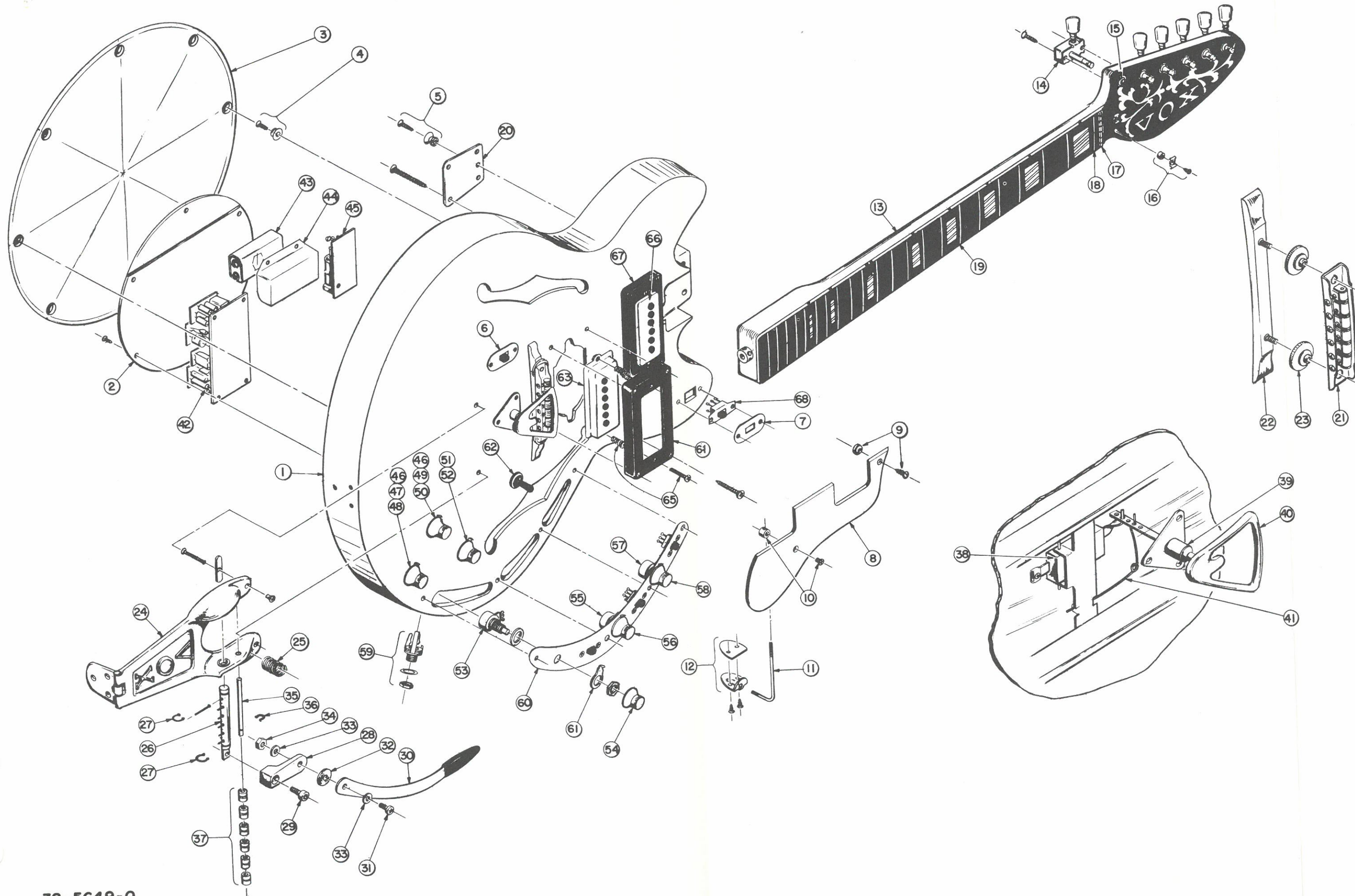
# ULTRASONIC

# V268

MARCH R

Thomas Organ Company • National Service Department • Sepulveda, California

Printed in U.S.A.



INDEX NO.	PART NO.
1	09
2	09
3	09
4	01
5	01
6	01
7	01
8	01
9	01
10	01
11	01
12	01
13	01
14	01
15	01
16	01
17	01
18	01
19	01
20	01
21	01
22	01
23	01
24	01
25	01
26	01
27	01
28	01
29	01
30	01
31	01
32	01
33	01
34	01
35	01
36	01

# WIRING DIAGRAM

