

SAMPLING REVERBERATOR/ DSP EXPANSION BOARD/REMOTE CONTROLLER

SREV1/DB-SREV1/RC-SREV1

SERVICE MANUAL



●DB-SREV1



●SREV1

■ CONTENTS

SPECIFICATIONS	3
PANEL LAYOUT	4
CIRCUIT BOARD LAYOUT	5
DIMENSIONS	6
WIRING	7
BLOCK DIAGRAM	9
DISASSEMBLY PROCEDURE	11
I/O CARD INSTALLATION	16
DB-SREV1 INSTALLATION	17
LSI PIN DESCRIPTION	19
IC BLOCK DIAGRAM	24
CIRCUIT BOARDS	29
TEST PROGRAM	41
ERROR MESSAGES	44
MIDI IMPLEMENTATION CHART	46
PARTS LIST	
RC-SREV1 SERVICE MANUAL	
SREV1/RC-SREV1 OVERALL CIRCUIT DIAGRAM	

This document is printed on chlorine free (ECF) paper with soy ink.

IMPORTANT NOTICE

This manual has been provided for the use of authorized Yamaha Retailers and their service personnel. It has been assumed that basic service procedures inherent to the industry, and more specifically Yamaha Products, are already known and understood by the users, and have therefore not been restated.

WARNING: Failure to follow appropriate service and safety procedures when servicing this product may result in personal injury, destruction of expensive components and failure of the product to perform as specified. For these reasons, we advise all Yamaha product owners that all service required should be performed by an authorized Yamaha Retailer or the appointed service representative.

IMPORTANT: This presentation or sale of this manual to any individual or firm does not constitute authorization, certification, recognition of any applicable technical capabilities, or establish a principal-agent relationship of any form.

The data provided is believed to be accurate and applicable to the unit(s) indicated on the cover. The research engineering, and service departments of Yamaha are continually striving to improve Yamaha products. Modifications are, therefore, inevitable and changes in specification are subject to change without notice or obligation to retrofit. Should any discrepancy appear to exist, please contact the distributor's Service Division.

WARNING: Static discharges can destroy expensive components. Discharge any static electricity your body may have accumulated by grounding yourself to the ground bus in the unit (heavy gauge black wires connect to this bus).

IMPORTANT: Turn the unit OFF during disassembly and parts replacement. Recheck all work before you apply power to the unit.

LITHIUM BATTERY HANDLING

This product uses a lithium battery for memory back-up.

WARNING: Lithium batteries are dangerous because they can be exploded by improper handling. Observe the following precautions when handling or replacing lithium batteries.

- Leave lithium battery replacement to qualified service personnel.
- Always replace with batteries of the same type.
- When installing on the PC board by soldering, solder using the connection terminals provided on the battery cells.
- Never solder directly to the cells. Perform the soldering as quickly as possible.
- Never reverse the battery polarities when installing.
- Do not short the batteries.
- Do not attempt to recharge these batteries.
- Do not disassemble the batteries.
- Never heat batteries or throw them into fire.

ADVARSEL!

Lithiumbatteri-Eksplosionsfare ved fejlagtig håndtering. Udskiftning må kun ske med batteri af samme fabrikat og type. Levér det brugte batteri tilbage til leverandøren.

VARNING

Explosionsfara vid felaktigt batteribyte.

Använd samma batterityp eller en ekvivalent typ som rekommenderas av apparattillverkaren.

Kassera använt batteri enligt fabrikantens instruktion.

VAROITUS

Paristo voi räjähtää, jos se on virheellisesti asennettu.

Vaihda paristo ainoastaan laitevalmistajan suosittelemaan tyyppiin.

Hävitätä käytetty paristo valmistajan ohjeiden mukaisesti.

The following information complies with Dutch Official Gazette 1995. 45; ESSENTIALS OF ORDER ON THE COLLECTION OF BATTERIES.

- Please refer to the disassembly procedure for the removal of Back-up Battery.
- Leest u voor het verwijderen van de backup batterij deze beschrijving.

WARNING: CHEMICAL CONTENT NOTICE!


The solder used in the production of this product contains LEAD. In addition, other electrical/electronic and/or plastic (where applicable) components may also contain traces of chemicals found by the California Health and Welfare Agency (and possibly other entities) to cause cancer and/or birth defects or other reproductive harm.

DO NOT PLACE SOLDER, ELECTRICAL/ELECTRONIC OR PLASTIC COMPONENTS IN YOUR MOUTH FOR ANY REASON WHAT SO EVER!

Avoid prolonged, unprotected contact between solder and your skin! When soldering, do not inhale solder fumes or expose eyes to solder/flux vapor!

If you come in contact with solder or components located inside the enclosure of this product, wash your hands before handling food.

■ WARNING

Components having special characteristics are marked  and must be replaced with parts having specification equal to those originally installed.

■ SPECIFICATIONS

● SREV1

Sampling rate	Internal	48 kHz
	External	44.1 kHz or 48 kHz
Internal processing		32 bit
Program Memories	2-channel, 4-channel mode	6 (P01–P06)
	2-channel x2 mode	12 (P01–P12)
Indicators	INPUT	SIGNAL x4 (–34 dB), CLIP x4
	OUTPUT	SIGNAL x4 (–34 dB), CLIP x4
	FS LOCK	48K, 44.1K
	Others	POWER, PC Card, CD-ROM
PC Card slot		PCMCIA (Type II), PC Card ATA spec, FAT16
CD-ROM drive		ISO9660 Level 2 format
Cooling fan		x2
Power requirements		U.S.A. & Canada 120 V AC, 60 Hz Europe 230 V AC, 50 Hz
Power consumption		120 W
Dimensions (W x H x D)		480 x 141.7 x 451.8 mm (18.9 x 5.6 x 17.8 inches)
Weight		11.5 kg (25.3 lbs)
Free-air operating temperature		5° C to 40° C (41° F to 104° F)
Power cord length		2.5 m
Supplied accessories		Power cord, CD-ROM (Reverb programs, data), Owner's Manual
Options		RC-SREV1, DB-SREV1, MY8-AD, MY4-AD, MY4-DA, MY8-AT, MY8-AE, MY8-TD

Digital Input Specifications

Connection	Format	Data Length	Level	Connector
DIGITAL IN 1, 2	AES/EBU	24 bit	RS-422	XLR-3-31 type *1

*1. XLR-3-31 type connectors are balanced (pin 1–ground, pin 2–hot (+), and pin 3–cold (-)).

Digital Output Specifications

Connection	Format	Data Length	Level	Connector
DIGITAL OUT 1, 2	AES/EBU *1	24 bit	RS-422	XLR-3-32 type *2

*1. Channel status: Type: 2 audio channels.
Sampling rate: depends on internal configuration.

*2. XLR-3-32 type connectors are balanced (pin 1–ground, pin 2–hot (+), and pin 3–cold (-)).

Control I/O Specifications

Connection	Format	Level	Connector
SERIAL 1, 2	—	RS-422	8-pin mini DIN
MIDI IN	MIDI	—	5-pin DIN
MIDI OUT	MIDI	—	5-pin DIN
WORD CLOCK IN	—	TTL 75 Ω	BNC
REMOTE	—	RS-422	9-pin D-sub (female)
SLOT (x2)	mini YGDAI	—	—

IMPORTANT NOTICE FOR THE UNITED KINGDOM

Connecting the Plug and Cord

IMPORTANT. The wires in this main lead are coloured in accordance with the following code:

BLUE: NEUTRAL
BROWN: LIVE

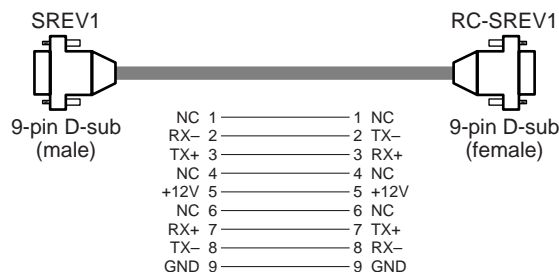
As the colours of the wires in the main lead of this apparatus may not correspond with the coloured markings identifying the terminals in your plug, proceed as follows:

The BLUE wire must be connected to the terminal that is marked with the letter N (or coloured BLACK).

The BROWN wire must be connected to the terminal that is marked with the letter L (or coloured RED).

Be certain that neither core is connected to the earth terminal of the three pin plug.

Remote Cable Wiring Diagram



● DB-SREV1

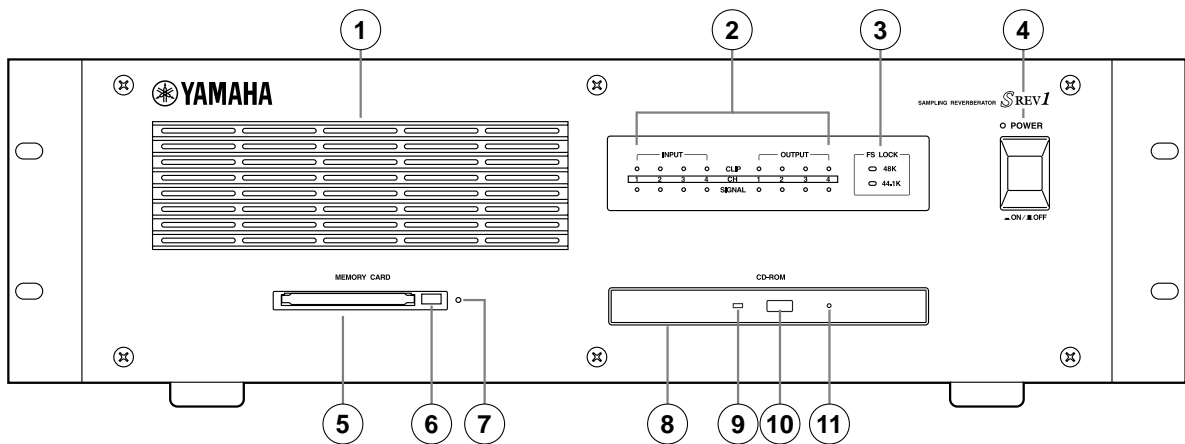
Dimensions (W x H x D): 195 x 15 x 330 mm

Weight: 0.5 kg

Supplied accessories: FPC (Flat Cable) x2
Screw

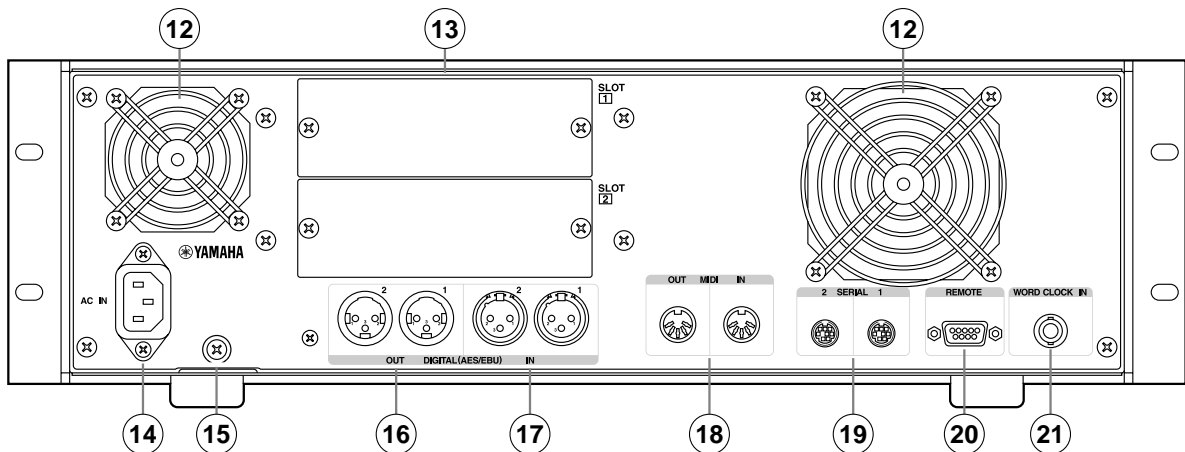
■ PANEL LAYOUT

● Front Panel



- ① Air Inlet
- ② INPUT and OUTPUT signal indicators
- ③ FS LOCK indicators
- ④ POWER switch & indicator
- ⑤ MEMORY CARD slot
- ⑥ Memory card eject button
- ⑦ Memory card activity indicator
- ⑧ CD-ROM drive
- ⑨ Disc activity indicator
- ⑩ CD-ROM eject button
- ⑪ Emergency disc eject hole

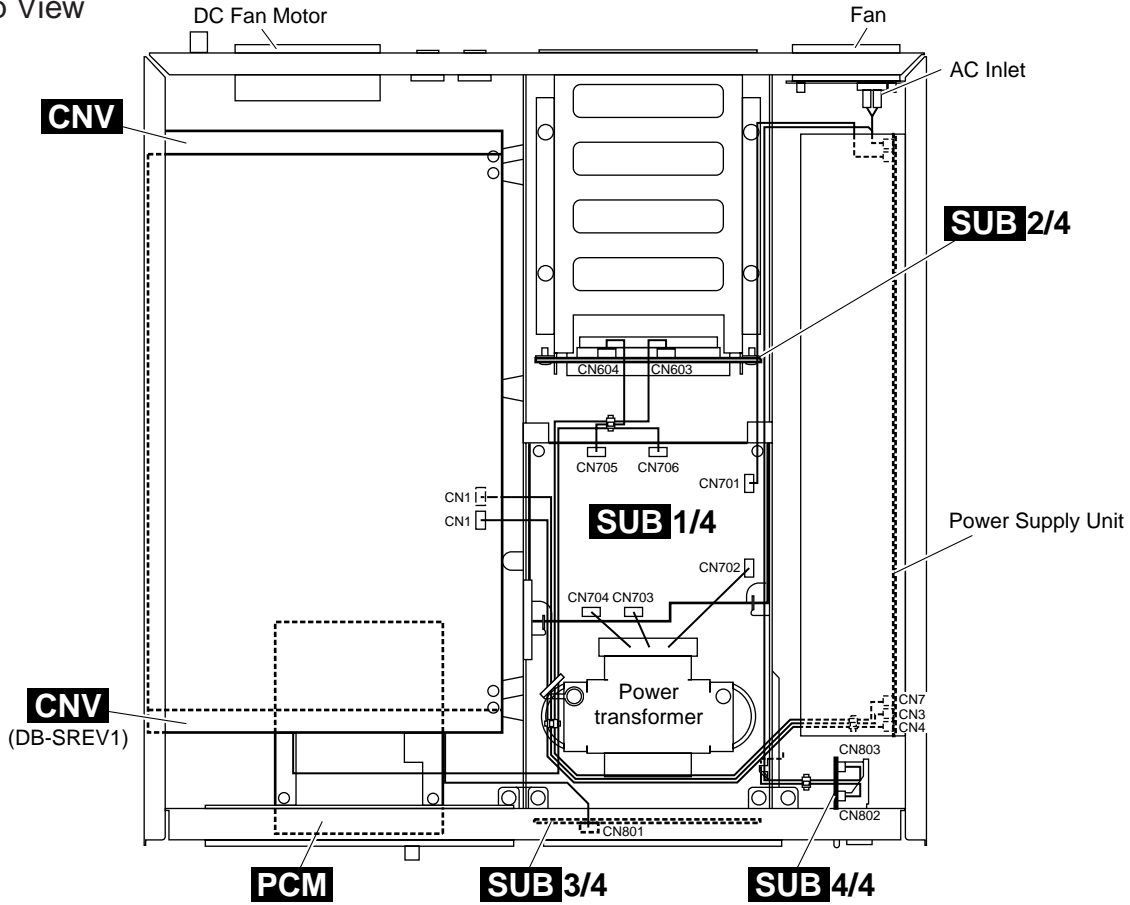
● Rear Panel



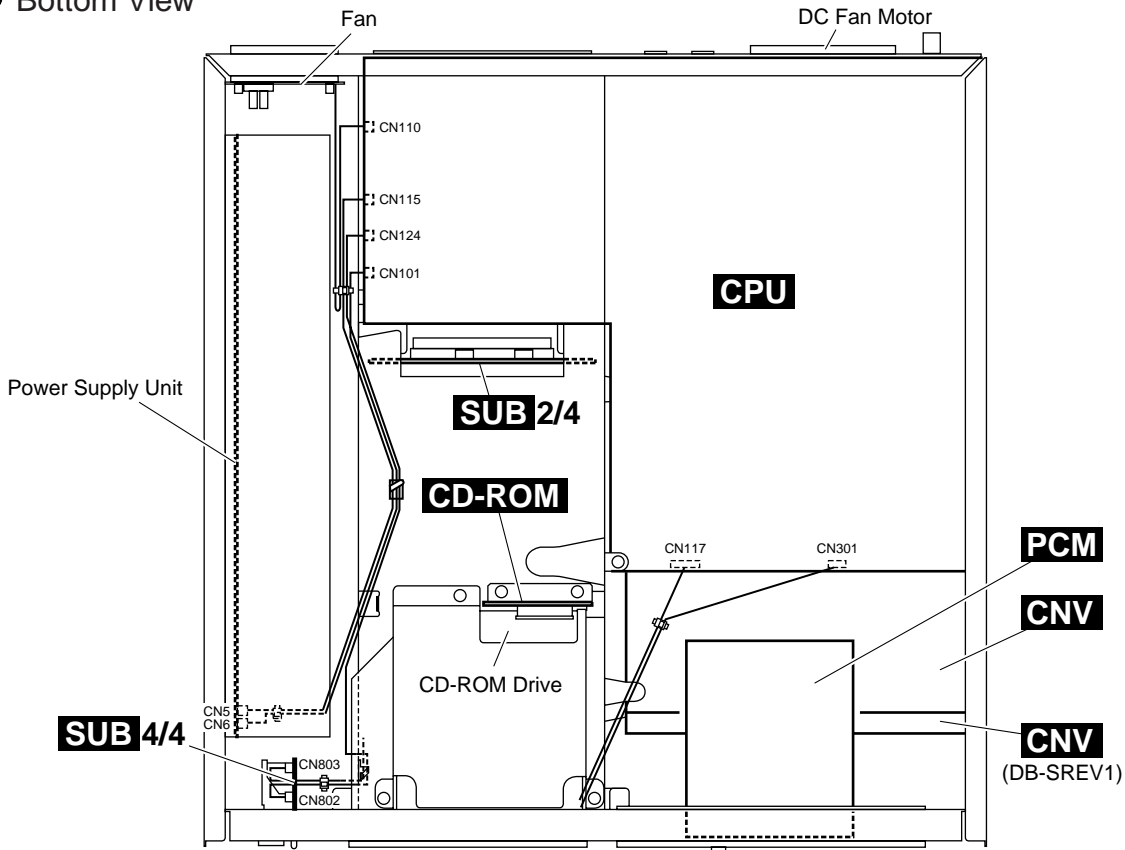
- ⑫ Cooling fan outlets
- ⑬ SLOTS 1 & 2
- ⑭ AC IN connector
- ⑮ Grounding screw
- ⑯ DIGITAL OUT (AES/EBU) connectors
- ⑰ DIGITAL IN (AES/EBU) connectors
- ⑱ MIDI IN & OUT ports
- ⑲ SERIAL 1 & 2 ports
- ⑳ REMOTE port
- ㉑ WORD CLOCK IN connector

CIRCUIT BOARD LAYOUT

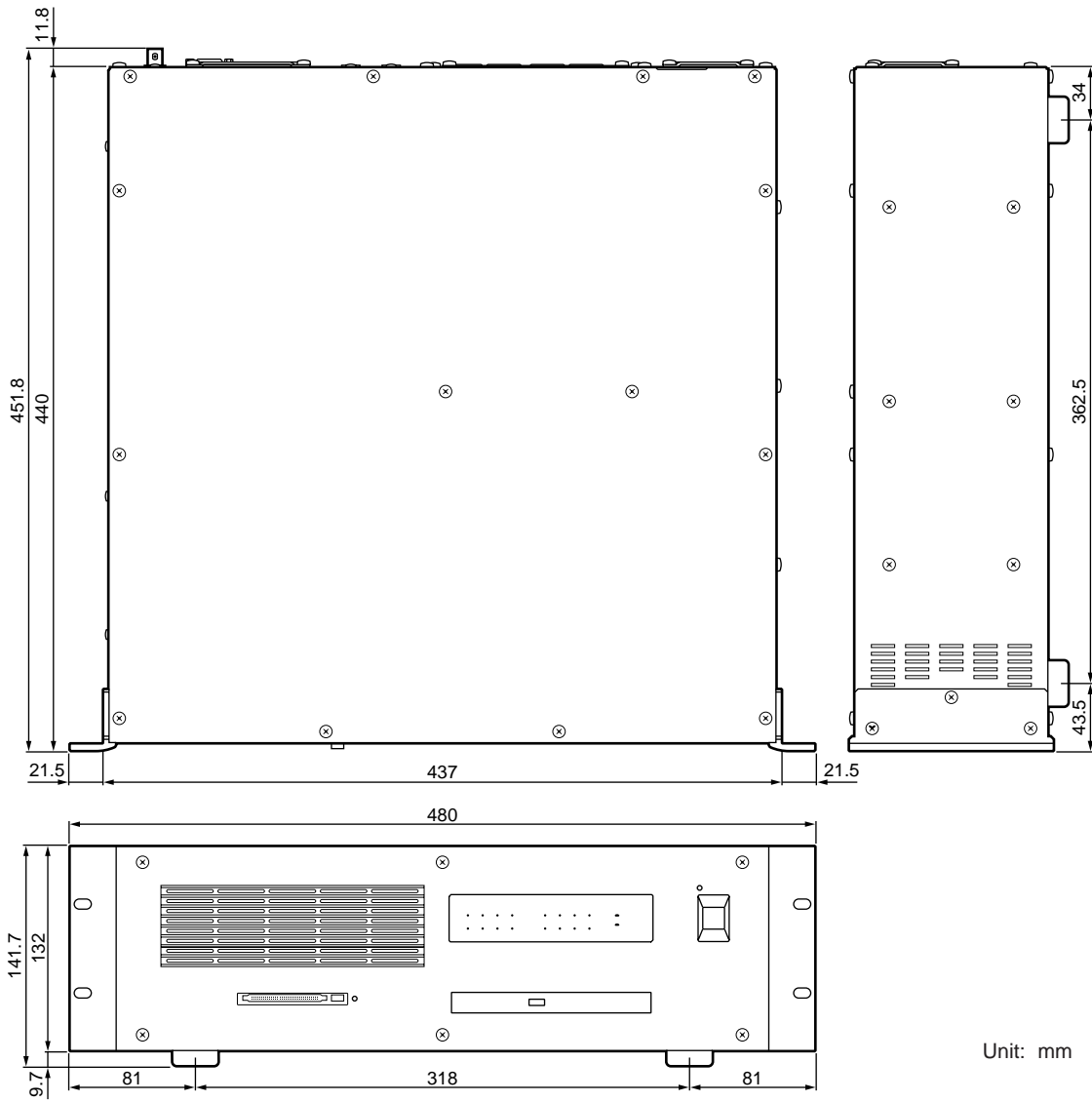
● Top View



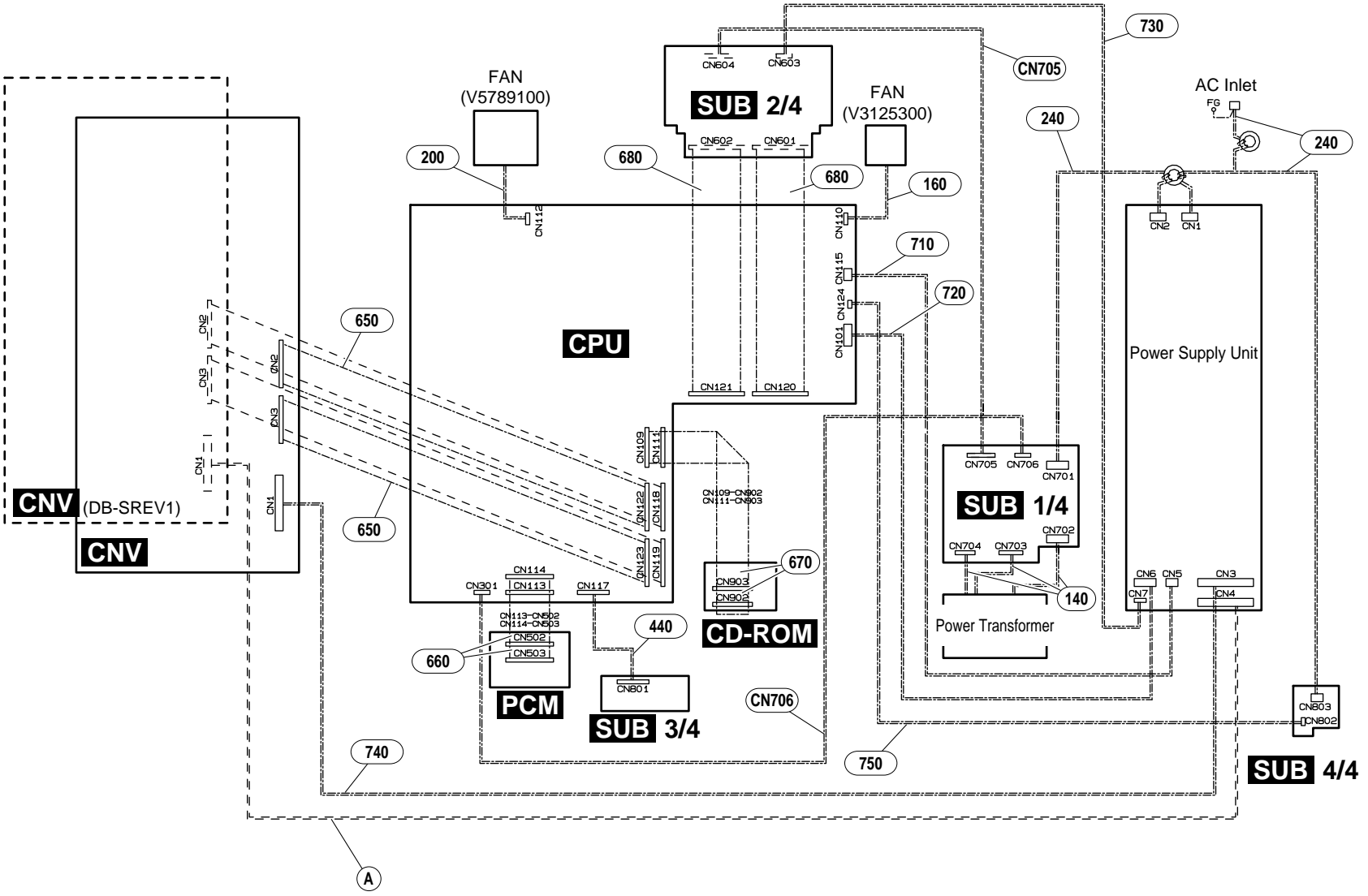
● Bottom View



DIMENSIONS

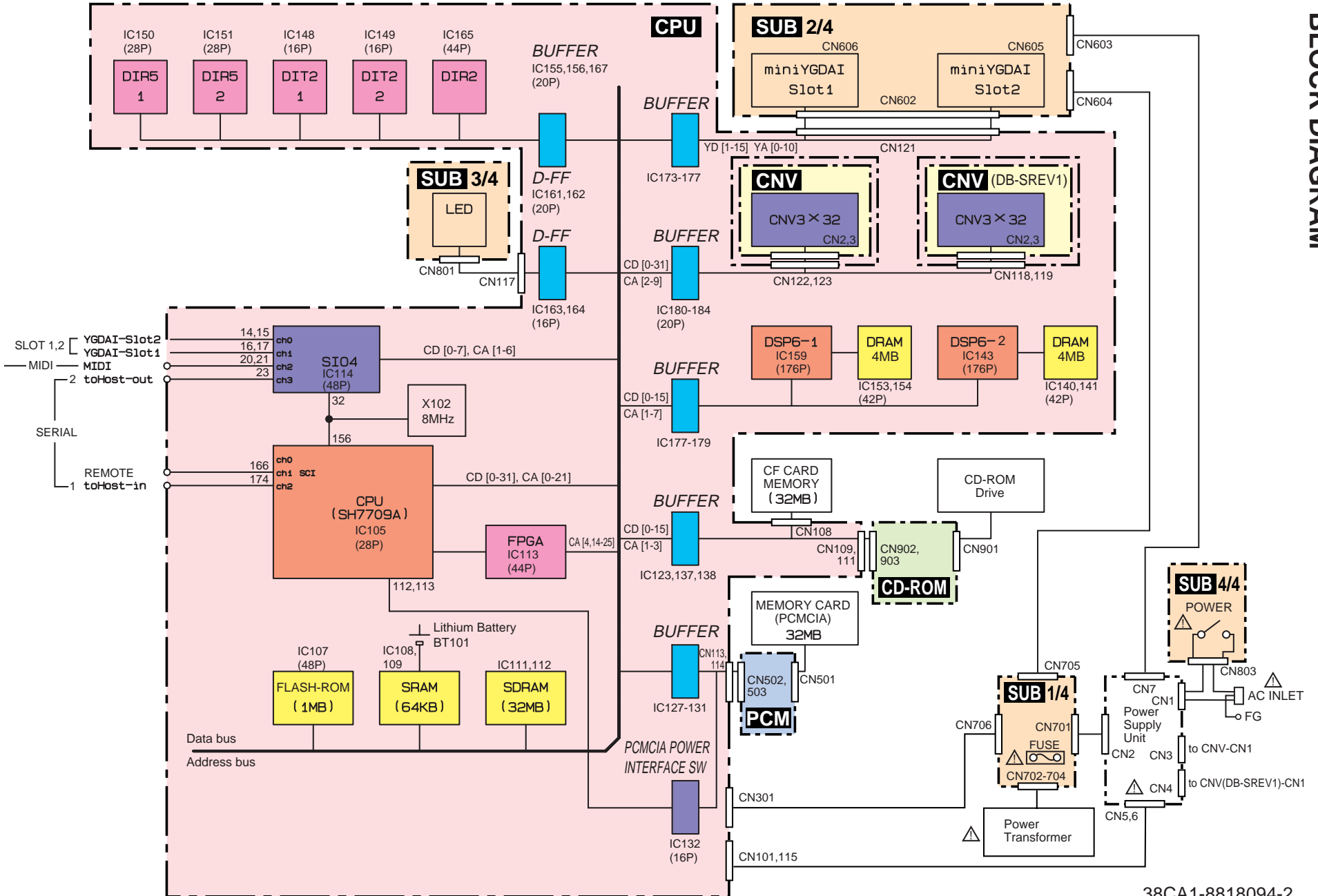


Unit: mm



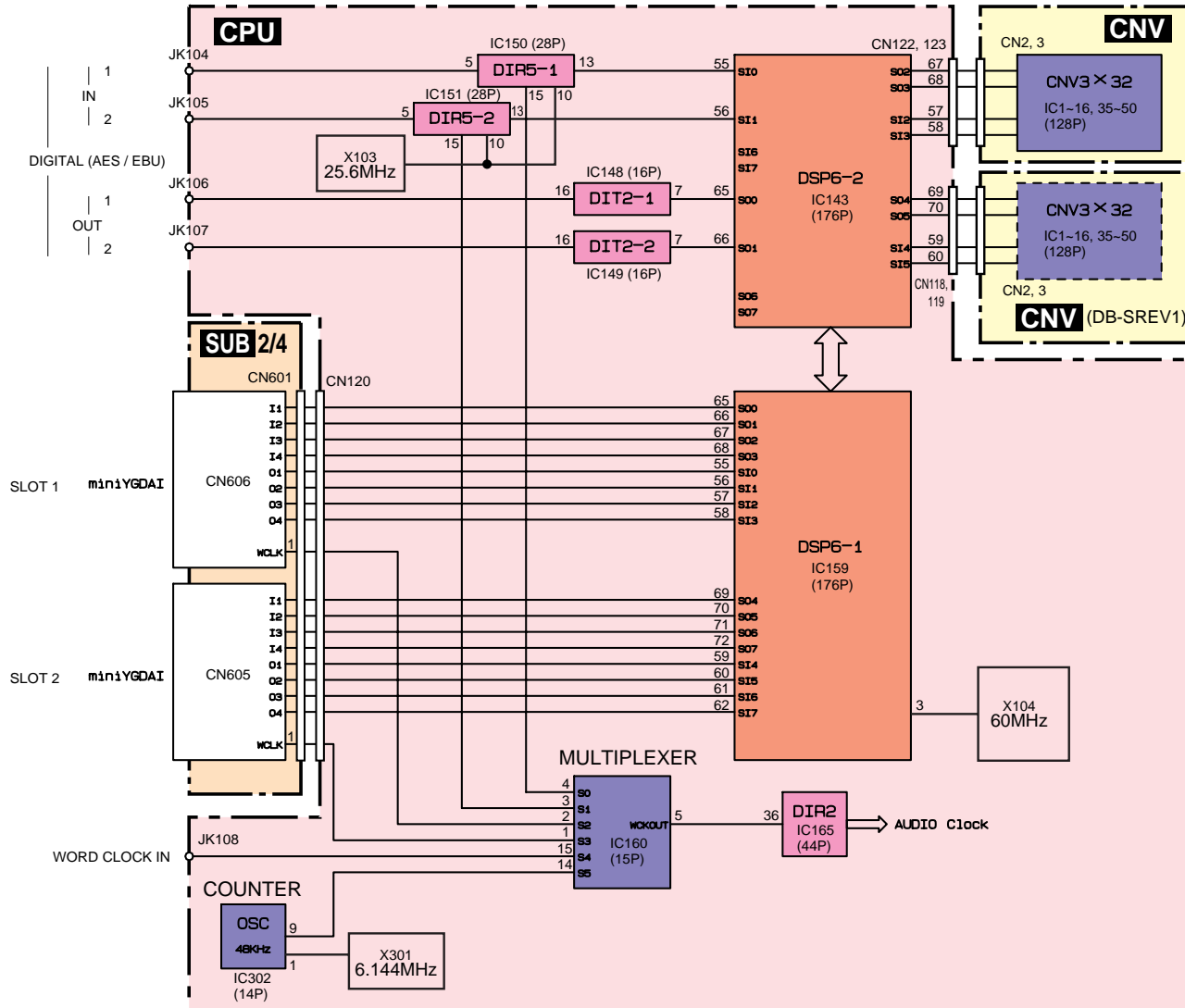
Location	Part No.	Connector Assembly & Unit	Destination		Remarks
140	XY916A00(J) XY917A00(U, V) XY918A00(H,B,W)	Power Transformer	Power Transformer	SUB 1/4-CN702	4P
				SUB 1/4-CN703	6P
				SUB 1/4-CN704	5P
160	V3125300	Fan	Fan	CPU-CN110	3P
200	V5789100	DC Fan Motor	DC Fan Motor	CPU-CN112	3P
240	V6512600	ACIN	AC Inlet	SUB 4/4-CN803	3P
				Power Supply Unit-CN1	
			SUB 1/4-CN701	Power Supply Unit-CN2	4P/3P
440	(VR79270)	KR	CPU-CN117	SUB 3/4-CN801	9P
650	MFA30100		CPU-CN122	CNV-CN2	30P
			CPU-CN123	CNV-CN3	30P
660	MFA30100		CPU-CN113	PCM-CN502	30P
			CPU-CN114	PCM-CN503	30P
670	MFA25300		CPU-CN109	CDROM-CN902	25P
			CPU-CN111	CDROM-CN903	25P
680	MFA36080		CPU-CN120	SUB 2/4-CN601	36P
			CPU-CN121	SUB 2/4-CN602	36P
710	(V651290)	REM-PS	CPU-CN115	Power Supply Unit-CN5	2P
720	(V651300)	CPU-PS	CPU-CN101	Power Supply Unit-CN6	4P
730	(V651310)	YGDA-PS	SUB 2/4-CN603	Power Supply Unit-CN7	4P
740	(V651320)	CNV1-PS	CNV-CN1	Power Supply Unit-CN3	10P
750	(VR78120)	KR	CPU-CN124	SUB 4/4-CN802	2P
A	(V651320)	CNV(Optional)-PS	CNV(DB-SREV1)-CN1	Power Supply Unit-CN4	10P
CN705	VY914700	B&C	SUB 1/4-CN705	SUB 2/4-CN604	7P
CN706	VQ613000	B&C	SUB 1/4-CN706	CPU-CN301	4P

● CPU Section



■ BLOCK DIAGRAM

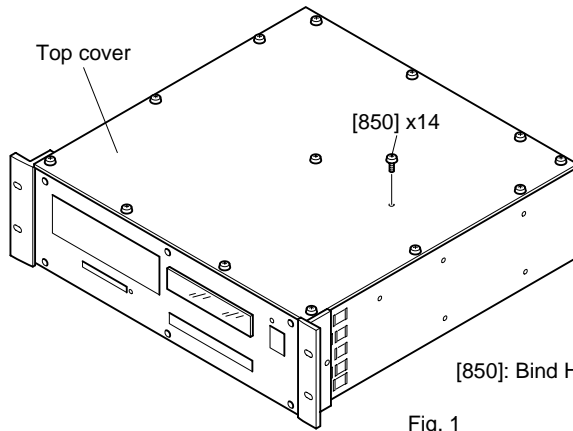
• AUDIO Section



DISASSEMBLY PROCEDURE

1. Top Cover (Time required: about 5 minutes)

- 1-1 Remove the fourteen (14) screws marked [850]. The top cover can then be removed. (Fig. 1)



[850]: Bind Head Tapping Screw-B A4.0X8 MFZN2BL (VC688800)

Fig. 1

2. DB-SREV1 (CNV Circuit Board)

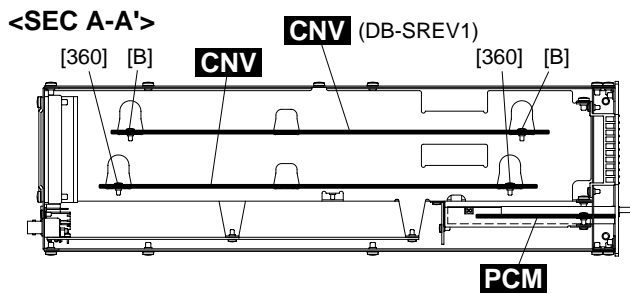
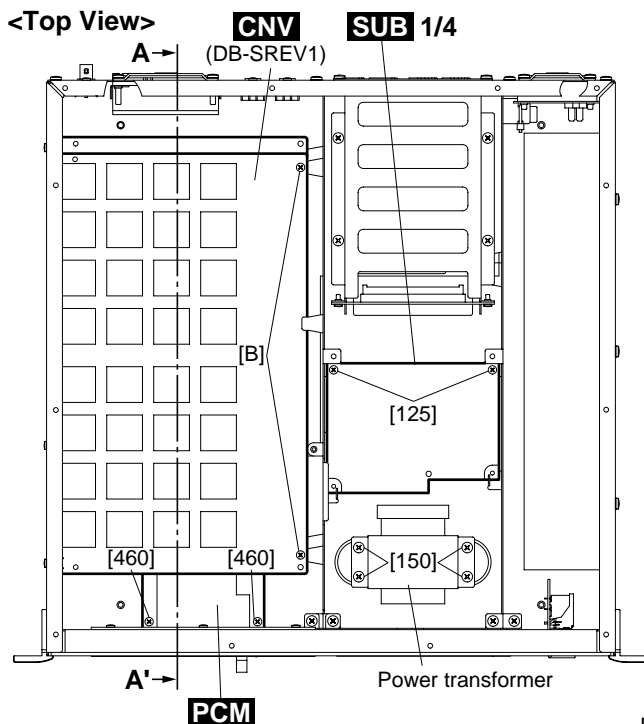
(Time required: about 8 minutes)

- 2-1 Remove the top cover. (See procedure 1.)
 2-2 Remove the two (2) screws marked [A] and the two (2) screws marked [B]. The CNV circuit board (DB-SREV1) can then be removed. (Fig. 2, 3)

3. CNV Circuit Board

(Time required: about 10 minutes)

- 3-1 Remove the top cover. (See procedure 1.)
 3-2 Remove the DB-SREV1 CNV circuit board, if it is being installed. (See procedure 2.)
 3-3 Remove the two (2) screws marked [350] and the two (2) screws marked [360]. The CNV circuit board can then be removed. (Fig. 2, 3)



- [B]: Bind Head Tapping Screw-B 3.0X8 MFZN2BL (EP600190)
 [125]: Bind Head Tapping Screw-B 3.0X8 MFZN2BL (EP600190)
 [150]: Bind Head Tapping Screw-B A4.0X8 MFZN2BL (VC688800)
 [360]: Bind Head Tapping Screw-B 3.0X8 MFZN2BL (EP600190)
 [460]: Bind Head Tapping Screw-B 3.0X8 MFZN2BL (EP600190)

Fig. 2

4. PCM Circuit Board

(Time required: about 15 minutes)

- 4-1 Remove the top cover. (See procedure 1.)
- 4-2 Remove the DB-SREV1 CNV circuit board, if it is being installed. (See procedure 2.)
- 4-3 Remove the CNV circuit board. (See procedure 3.)
- 4-4 Remove the two (2) screws marked [460]. The PCM circuit board can then be removed. (Fig. 2)

5. Power Transformer, SUB 1/4 Circuit Board

(Time required: about 8 minutes each)

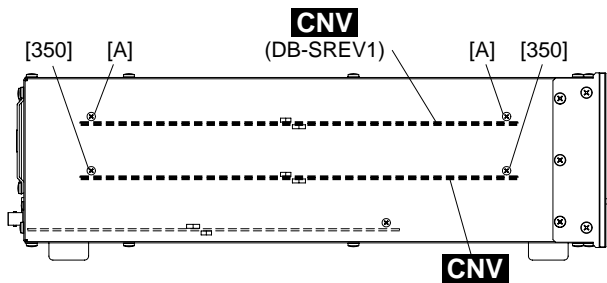
- 5-1 Remove the top cover. (See procedure 1.)
- 5-2 Power Transformer
Remove the four (4) screws marked [150]. The power transformer can then be removed. (Fig. 2)
- 5-3 SUB 1/4 Circuit Board
Remove the two (2) screws marked [125]. The SUB 1/4 circuit board can then be removed. (Fig. 2)

6. SUB 2/4 Circuit Board

(Time required: about 15 minutes)

- 6-1 Remove the top cover. (See procedure 1.)
- 6-2 Remove the power transformer. (See procedure 5-2.)
- 6-3 Remove the SUB 1/4 circuit board (See procedure 5-3.)
- 6-4 Remove the four (4) screws marked [120]. The SUB 2/4 circuit board can then be removed. (Fig. 4)

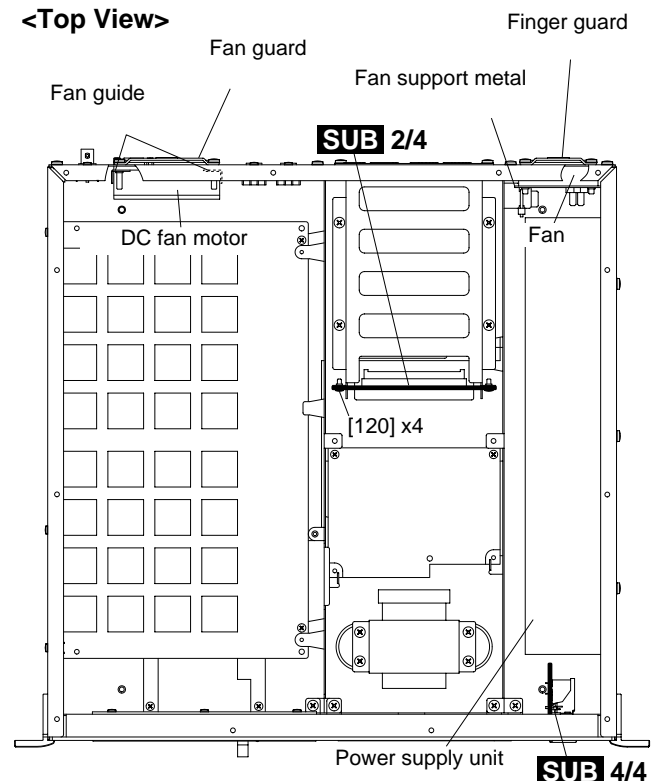
<Left Side View>



[A]: Bind Head Screw A3.0X6 MFZN2BL (VP156600)
[350]: Bind Head Screw A3.0X6 MFZN2BL (VP156600)

Fig. 3

<Top View>



[120]: Bind Head Tapping Screw-B 3.0X8 MFZN2BL (EP600190)

Fig. 4

7. Power Supply Unit

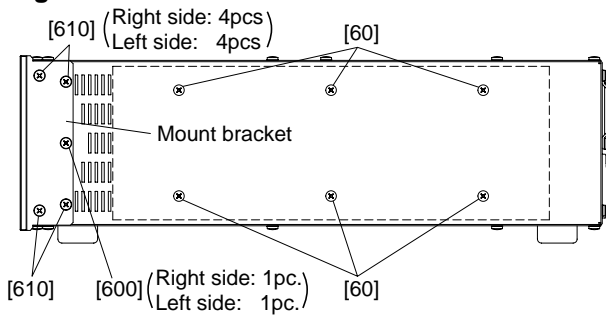
(Time required: about 10 minutes)

- 7-1 Remove the top cover. (See procedure 1.)
- 7-2 Remove the six (6) screws marked [60]. The power supply unit can then be removed. (Fig. 4, 5)

8. Front Panel (Time required: about 10 minutes)

- 8-1 Remove the top cover. (See procedure 1.)
- 8-2 Remove the two (2) screws marked [600] and the eight (8) screws marked [610]. The left and right mount brackets can then be removed. (Fig. 5)
- 8-3 Remove the six (6) screws marked [570]. The front panel can then be removed. (Fig. 6)

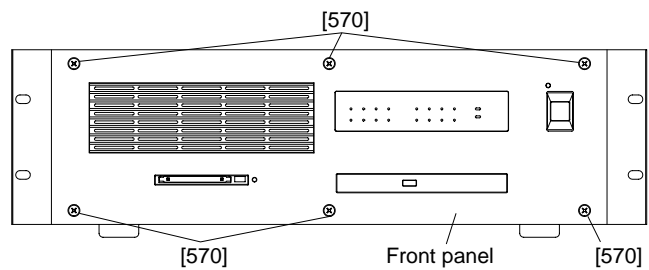
<Right Side View>



[60]: Bind Head Screw A4.0X8 MFZN2BL (VP156800)
 [600]: Oval Head Screw B4.0X10 MFZN2BL (V6221000)
 [610]: Oval Head Screw 4.0X8 MFZN2BL (VS153600)

Fig. 5

<Front View>



[570]: Oval Head Screw B4.0X10 MFZN2BL (V6221000)

Fig. 6

9. SUB 3/4 Circuit Board, SUB 4/4 Circuit Board (Time required: about 15 minutes each)

- 9-1 Remove the top cover. (See procedure 1.)
- 9-2 Remove the front panel (See procedure 8.)
- 9-3 SUB 3/4 Circuit Board
Remove the two (2) screws for [410] and pull out the SUB 3/4 circuit board from the two of the sub-chassis. (Fig. 7)
- 9-4 SUB 4/4 Circuit Board
Pull out the power switch knob. (Fig. 7)
Remove the two (2) screws marked [430]. The SUB 4/4 circuit board can then be removed. (Fig. 4, 7)

10. DC Fan Motor (Time required: about 10 minutes)

- 10-1 Remove the top cover. (See procedure 1.)
- 10-2 Remove the four (4) screws marked [230]. The DC fan motor can then be removed with both the fan guard and the fan guide. (Fig. 4, 8)

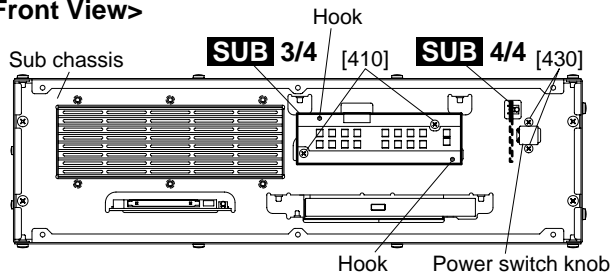
11. Fan (Time required: about 10 minutes)

- 11-1 Remove the top cover. (See procedure 1.)
- 11-2 Remove the four (4) screws marked [190]. The Fan can then be removed with both the finger guard and the fan support metal. (Fig. 4, 8)

12 Bottom Cover (Time required: about 5 minutes)

- 12-1 Remove the twelve (12) screws marked [830]. The bottom cover can then be removed. (Fig. 9)

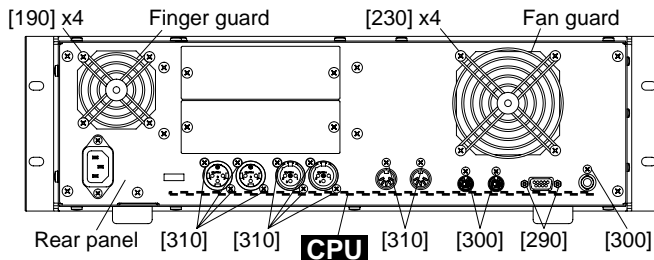
<Front View>



- [410]: Bind Head Tapping Screw-B 3.0X8 MFZN2BL (EP600190)
[430]: Bind Head Screw A3.0X6 MFZN2BL (VP156600)

Fig. 7

<Rear View>



- [190]: Bind Head Screw SP 4.0X25 MFZN2BL (VR116500)
[230]: Pan Head Screw SP 4.0X20 MFZN2BL (VR116500)
[300]: Bind Head Screw A3.0X6 MFZN2BL (VP156600)
[310]: Bind Head Tapping Screw-B A3.0X8 MFZN2BL (VP157000)

Fig. 8

13 CPU Circuit Board

(Time required: about 10 minutes)

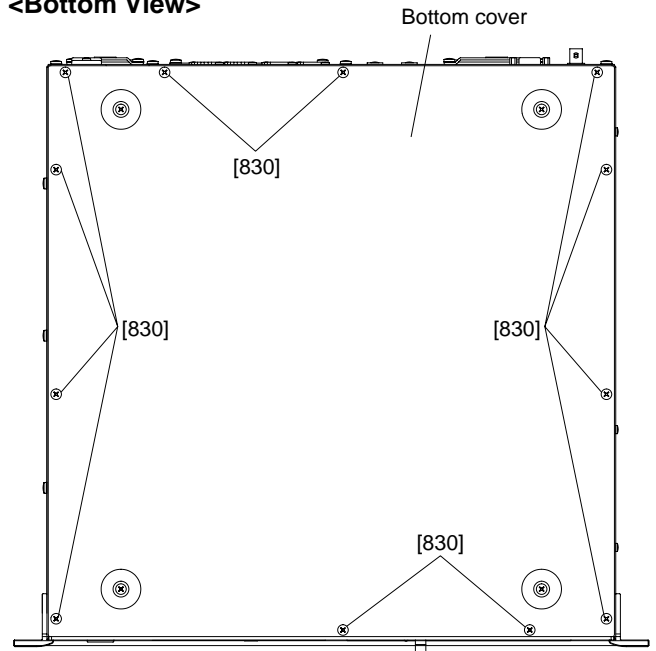
- 13-1 Remove the bottom cover. (See procedure 12.)
13-2 Remove the two (2) jack sockets marked [290], the three (3) screws marked [300], the ten (10) screws marked [310], the screw marked [320] and the two (2) screws marked [330]. The CPU circuit board can then be removed. (Fig. 8, 10, 11)

14 CD-ROM Circuit Board

(Time required: about 5 minutes)

- 14-1 Remove the bottom cover. (See procedure 12.)
14-2 Remove the CN angle bracket by removing the two (2) screws marked [520]. The CD-ROM circuit board can then be removed with pulling out the connector of the CD-ROM circuit board from the CD-ROM drive. (Fig. 10)

<Bottom View>



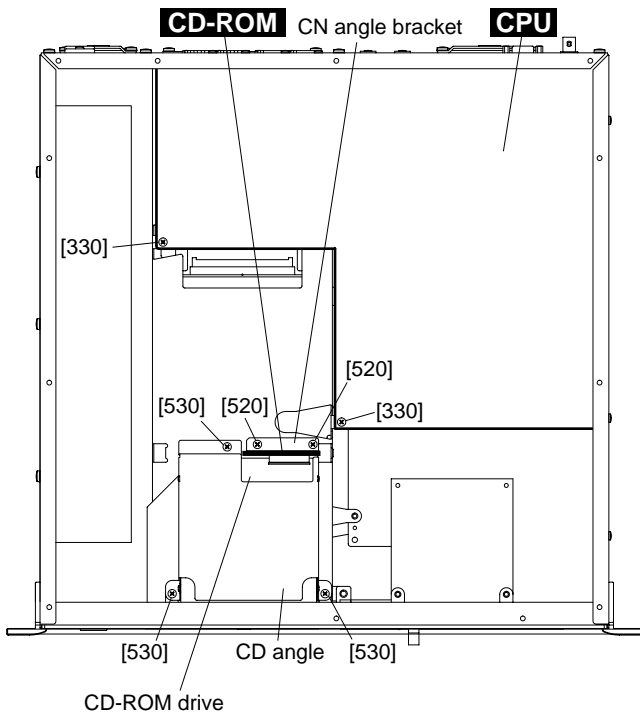
- [830]: Bind Head Tapping Screw-B A4.0X8 MFZN2BL (VC688800)

Fig. 9

15 CD-ROM Drive (Time required: about 10 minutes)

- 15-1 Remove the bottom cover. (See procedure 12.)
- 15-2 Remove the CD-ROM circuit board. (See procedure 14.)
- 15-3 Remove the three (3) screws marked [530]. The CD-ROM drive can then be removed with the CD angle. (Fig. 10)
- 15-4 Remove the CD angle from the CD-ROM drive by removing the four (4) screws marked [500]. (Fig. 12)

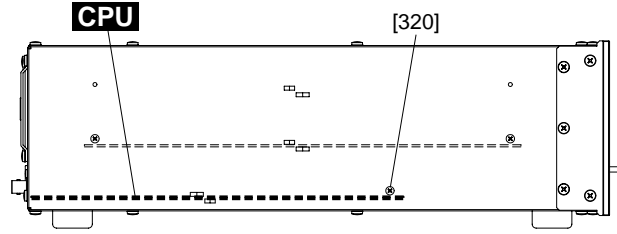
<Bottom View>



- [330]: Bind Head Tapping Screw-B 3.0X8 MFZN2BL (EP600190)
- [520]: Bind Head Tapping Screw-B A3.0X8 MFZN2BL (VP157000)
- [530]: Bind Head Tapping Screw-B A3.0X8 MFZN2BL (VP157000)

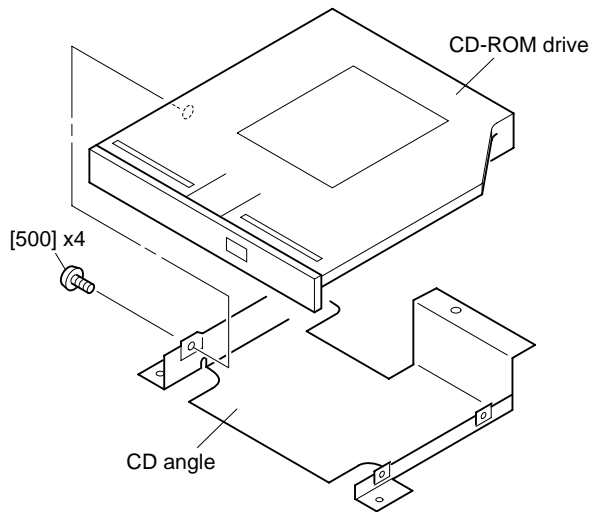
Fig. 10

<Left Side View>



- [320]: Bind Head Screw A3.0X6 MFZN2BL (VP156600)

Fig. 11



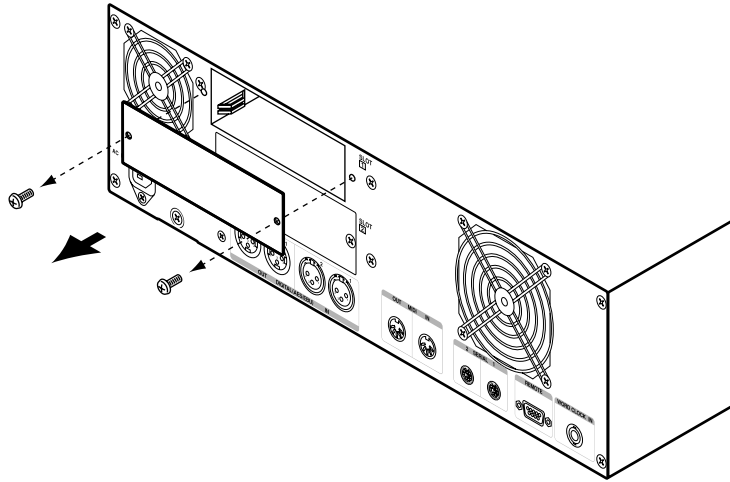
- [500]: Pan Head Screw 2.0X2 MFZN2Y (V6881500)

Fig. 12

■ INSTALLING I/O CARDS

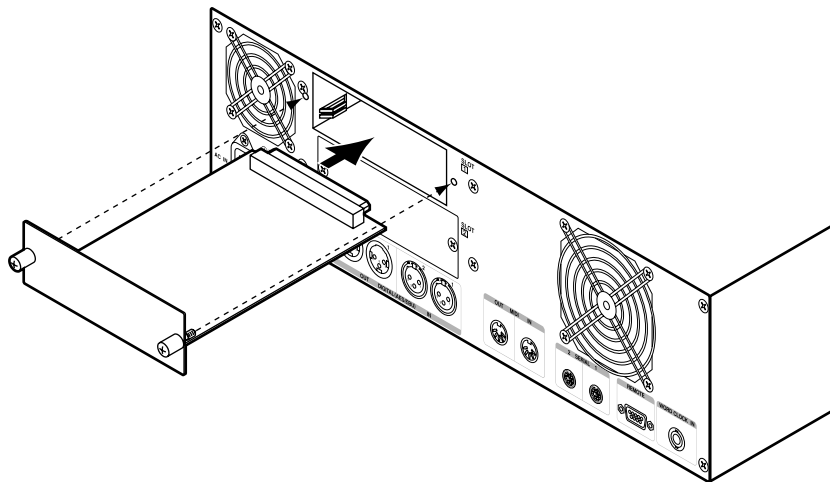
This section explains how to install mini YGDAI cards in the SREV1.

1. Turn off the SREV1.
2. Undo the two fixing screws and remove the slot cover, as shown below.



Keep the cover and fixing screws in a safe place for future use.

3. Insert the card between the guide rails and slide it all the way into the slot, as shown below. You may have to push firmly to plug the card into the SREV1 connector.



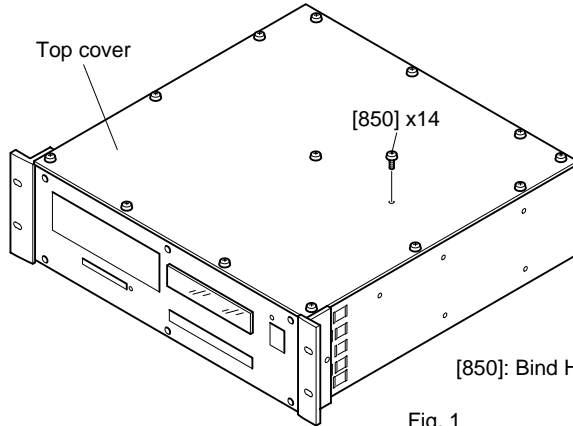
4. Secure the card using the attached thumbscrews. Do not leave the thumb-screws loose, as the card will not be grounded correctly.

■ DB-SREV1 INSTALLATION

- * Before installing the DB-SREV1 (CNV) circuit board, turn off the SREV1 and disconnect the power cord.

1. Top Cover Removal

Remove the fourteen (14) screws marked [850]. The top cover can then be removed. (Fig. 1)



[850]: Bind Head Tapping Screw-B A4.0X8 MFZN2BL (VC688800)

Fig. 1

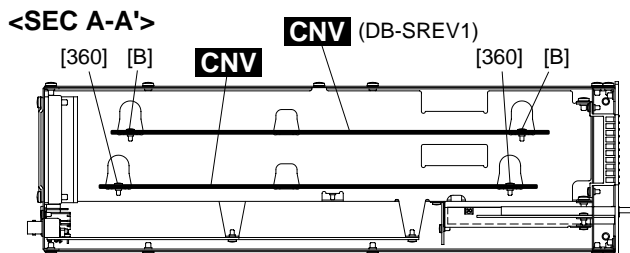
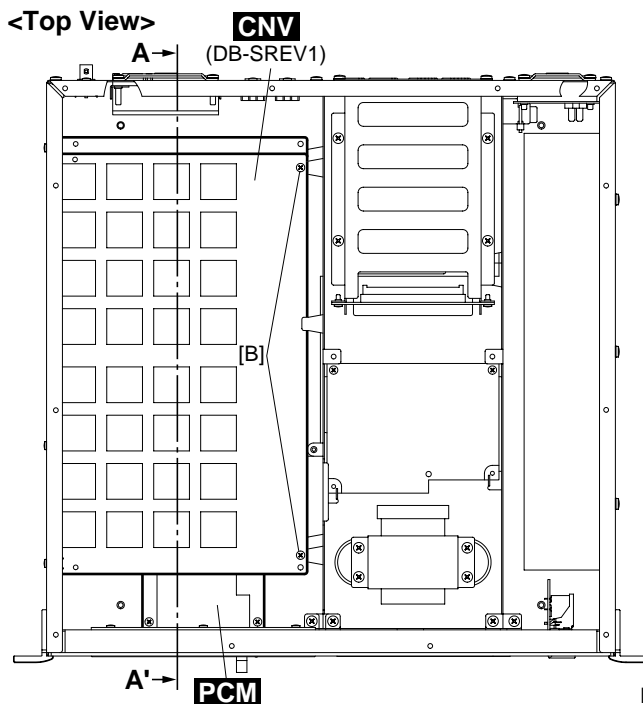
2. CNV Circuit Board Removal

Remove the two (2) screws marked [350] and the two (2) screws marked [360]. The CNV circuit board can then be removed. (Fig. 2, 3)

3. Cables Connection

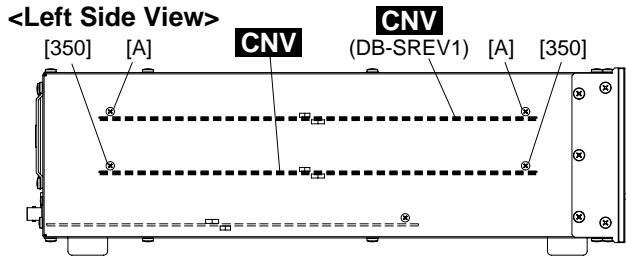
Connect the two supplied cables to the CPU circuit board (CN118, CN119) so that the printed side appears as shown in Figure 4, and then close the securing clips on each side of the connectors.

- * The two supplied cables are identical.



[B]: Bind Head Tapping Screw-B 3.0X8 MFZN2BL (EP600190)
 [360]: Bind Head Tapping Screw-B 3.0X8 MFZN2BL (EP600190)

Fig. 2



[A]: Bind Head Screw A3.0X6 MFZN2BL (VP156600)
 [350]: Bind Head Screw A3.0X6 MFZN2BL (VP156600)

Fig. 3

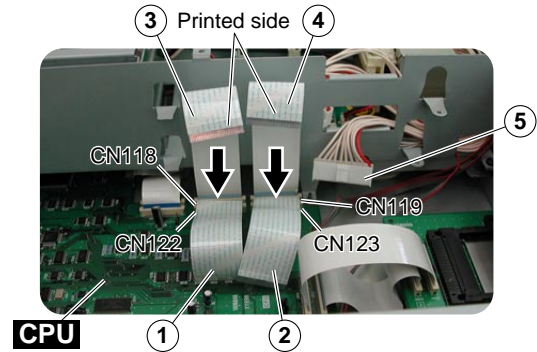


Fig. 4

4. CNV Circuit Board Installation

Reinstall the previously removed CNV circuit board, remembering to replace the two (2) internal fixing screws marked [360] and two (2) external fixing screws marked [350]. (Fig. 2, 3)

Reconnect the two cable connectors and the power supply connector. (Table 1)

5. DB-SREV1 (CNV) Circuit Board Installation

- 5-1 Cut and remove the cable fastener holding the power supply cable intended for the DB-SREV1(CNV) circuit board.
- 5-2 Install the DB-SREV1 (CNV) circuit board above the existing CNV circuit board, secure it by using two (2) internal fixing screws marked [B] and two (2) external fixing screws marked [A]. (Fig. 2, 3)
- 5-3 Connect the two cable connectors and the power supply connector, as shown in Figure 5. (Table 1)

• Connector Assembly

	PARTS NO	DESTINATION		REMERKS
1	MFA30100	CPU-CN122	CNV-CN2	30P/L=100mm
2	MFA30100	CPU-CN123	CNV-CN3	30P/L=100mm
3	MFA30140	CPU-CN118	DB-SREV1(CNV)-CN2	30P/L=140mm
4	MFA30140	CPU-CN119	DB-SREV1(CNV)-CN3	30P/L=140mm
5	(V6513200)	Power Supply Unit-CN3	CNV-CN1	10P
6	(V6513200)	Power Supply Unit-CN4	DB-SREV1(CNV)-CN1	10P

* Connector assembly listed above are not available as service parts except MFA30100 and MFA30140.

Table 1

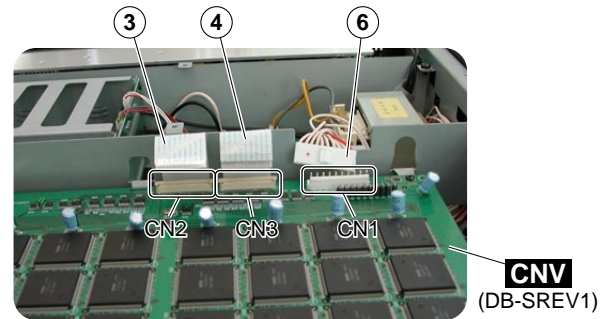


Fig. 5

6. Re-attach the SREV1 Top Cover

Replace the fourteen (14) fixing screws marked [850]. The top cover can then be Replaced. (Fig. 1)

7. Checking that the DB-SREV1 (CNV) Circuit Board is Working Correctly

If the DB-SREV1 (CNV) circuit board is working correctly, when the SREV1 is turned on the two rows of INPUT and OUTPUT front panel indicators light up alternately in a streaming pattern from left to right. If the indicators do not light up like this, the DB-SREV1 (CNV) circuit board is not working correctly, in which case you should check that it's installed in accordance with these instructions.

8. Execute Test Program

Execute test program No. 5 in Section 5-2 and check if operation is normal. (Refer to page 42.)

■ LSI PIN DESCRIPTION

YM3436DK (XG948E00) DIR2 (Digital Format Interface Receiver)	19
YM3437C-F (XM530A00) DIT2 (Digital Format Interface Transmitter)	19
SH7709A (XY065A00) CPU	20
YSS910-S (XV988A00) DSP6 (Digital Signal Processor)	21
YSS916-H (XW867A00) CNV3 DSP (Convolver).....	22
MBCG46183-129 (XV833A00) Gate Array	23
YSD917-ME2 (XW526A00) DIR5 (Digital Format Interface Receiver)	23

● YM3436DK (XG948E00) DIR2 (Digital Format Interface Receiver)

CPU: IC165

PIN NO.	NAME	I/O	FUNCTION	PIN NO.	NAME	I/O	FUNCTION
1	DAUX	I	Auxiliary input for audio data	23	RSTN	I	System reset input
2	HDLT	O	Asynchronous buffer operation flag	24	Vdda		VCO section power (+5 V)
3	DOUT	O	Audio data output	25	CTLN	I	VCO control input N
4	VFL	O	Parity flag output	26	PCO	O	PLL phase comparison output
5	OPT	O	Fs x 1 Synchronous output signal for DAC	27	(NC)		
6	SYNC	O	Fs x 1 Synchronous output signal for DSP	28	CTLP	I	VCO control input P
7	MCC	O	Fs x 64 Bit clock output	29	Vssa		VCO section power (GND)
8	WC	O	Fs x 1 Word clock output	30	TSTN	I	Test terminal. Open for normal use
9	MCB	O	Fs x 128 Bit clock output	31	KM2	I	Clock mode switching input 2
10	MCA	O	Fs x 256 Bit clock output	32	KM0	I	Clock mode switching input 0
11	SKSY	I	Clock synchronization control input	33	FS1	O	Channel status sampling frequency display output 1
12	XI	I	Crystal oscillator connection or external clock input	34	FS0	O	Channel status sampling frequency display output 0
13	XO	O	Crystal oscillator connection	35	CSM	I	Channel status output method selection
14	P256	O	VCO oscillating clock connection	36	EXTW	I	External synchronous auxiliary input word clock
15	LOCK	O	PLL lock flag	37	DDIN	I	EIAJ (AES/EBU) data input
16	Vss		Logic section power (GND)	38	LR	O	PLL word clock output
17	TC	O	PLL time constant switching output	39	Vdd		Logic section power (+5 V)
18	DIM1	I	Data input mode selection	40	ERR	O	Data error flag output
19	DIM0	I	Data input mode selection	41	EMP	O	Channel status emphasis control code output
20	DOM1	I	Data output mode selection	42	CD0	O	3-wire type microcomputer interface data output
21	DOM0	I	Data output mode selection	43	CCK	I	3-wire type microcomputer interface clock input
22	KM1	I	Clock mode switching input 1	44	CLD	I	3-wire type microcomputer interface load input

● YM3437C-F (XM530A00) DIT2 (Digital Format Interface Transmitter)

CPU: IC148, 149

PIN NO.	NAME	I/O	FUNCTION	PIN NO.	NAME	I/O	FUNCTION	
1	Vss		Ground	9	MUTE	I	Mute	
2	MCLK	I	Master clock input	10	VFL	I	Validity flag	
3	DM0	I	DIN/BCLK/WCLK format select DM1,DM0=0,0 DSP,LDSP (64 bit,LSB first) DM1,DM0=0,1stereo,DSP (64 bit,MSB first) DM1,DM0=1,0 DSP2 (128 bit,MSB first) DM1,DM0=1,1 BB (64 bit,MSB first)	11	CCK/CCKB	I	C,U bit clock input/C bit data input	
4	DM1	I		12	CIN/UDB	I	C,U bit data input/U bit data input	
5	RSTN	I		System reset	13	CLD/AUXTN	I	End of C,U bit input/16,20 bit/24 bit select
6	WCIN	I		Word clock input	14	CNTR/BLKIN	I	32 bit counter reset/Top of block
7	DIN	I	Digital audio serial data input	15	CSM	I	Channel status input mode select CSM=0 Asynchronous mode, CSM=1 Synchronous mode	
8	VDD		Power supply (+5 V)	16	DOUT	O	Digital interface formatted data output	

● SH7709A FP-208C (XY065A00) CPU

CPU: IC105

PIN NO.	NAME	I/O	FUNCTION	PIN NO.	NAME	I/O	FUNCTION
1	MD1	I	Clock mode	105	CKE/PTK[5]	I/O	CK enable/Port K
2	MD2	I	Clock mode	106	RAS3L/PTJ[0]	I/O	DRAM row address strobe/Port J
3	Vcc-RTC*1	-	Power supply for RTC (1.8 V)	107	RAS2L/PTJ[1]	I/O	DRAM row address strobe/Port J
4	XTAL2	O	Crystal oscillator for RTC	108	CASL/CASLPTJ[2]	I/O	Column address strobe (low)/Port J
5	EXTAL2	I	Crystal oscillator for RTC	109	VssO	-	Ground
6	Vss-RTC*1	-	Ground	110	CASH/CASU/PTJ[3]	I/O	Column address strobe (high)/Port J
7	NMI	I	Non-maskable interrupt request	111	VccO	-	Power supply (3.3 V)
8	IRO0/IRL0/PTH[0]	I	Interrupt request/Input port H	112	CASHL/PTJ[4]	I/O	HL Column address strobe/Port J
9	IRO1/IRL1/PTH[1]	I	Interrupt request/Input port H	113	CASHH/PTJ[5]	I/O	HH Column address strobe/Port J
10	IRO2/IRL2/PTH[2]	I	Interrupt request/Input port H	114	DACK0/PTD[5]	I/O	DMA acknowledge transfer strobe 0/Port D
11	IRO3/IRL3/PTH[3]	I	Interrupt request/Input port H	115	DACK1/PTD[7]	I/O	DMA acknowledge transfer strobe 1/Port D
12	IRO4/PTH[4]	I	Interrupt request/Input port H	116	CAS2L/PTE[6]	I/O	Column address strobe (low)/Port E
13	D31/PTB[7]	I/O	Data bus/Port B	117	CAS2H/PTE[3]	I/O	Column address strobe (high)/Port E
14	D30/PTB[6]	I/O	Data bus/Port B	118	RAS3U/PTE[2]	I/O	DRAM address strobe/Port E
15	D29/PTB[5]	I/O	Data bus/Port B	119	RAS2U/PTE[1]	I/O	DRAM address strobe/Port E
16	D28/PTB[4]	I/O	Data bus/Port B	120	TDO/PTE[0]	I/O	Test data output/Port E
17	D27/PYB[3]	I/O	Data bus/Port B	121	BACK	O	Bus acknowledge
18	D26/PTB[2]	I/O	Data bus/Port B	122	BREQ	I	Bus request
19	VssO	-	Ground	123	WAIT	I	Hardware wait request
20	D25/PTB[1]	I/O	Data bus/Port B	124	RESETM	I	Reset
21	VccO	-	Power supply (3.3 V)	125	ADTRG/PTH[5]	I	Analog trigger/Input port H
22	D24/PTB[0]	I/O	Data bus/Port B	126	IOISIE/PTG[7]	I	Write protect/Area 6 input/Input port G
23	D23/PTA[7]	I/O	Data bus/Port A	127	ASEMD0/PTG[6]	I	ASE mode/Input port G
24	D22/PTA[6]	I/O	Data bus/Port A	128	ASEBRKAK/PTG[5]	I/O	ASE break acknowledge/Input port G
25	D21/PTA[5]	I/O	Data bus/Port A	129	PTG[4]	I	Input port G
26	D20/PTA[4]	I/O	Data bus/Port A	130	AUDATA[3]/PTG[3]	I/O	AUD data/Input port G
27	Vss	-	Ground	131	AUDATA[2]/PTG[2]	I/O	AUD data/Input port G
28	D19/PTA[3]	I/O	Data bus/Port A	132	Vss	-	Ground
29	Vcc	-	Power supply (1.8 V)	133	AUDATA[1]/PTG[1]	I/O	AUD data/Input port G
30	D18/PTA[2]	I/O	Data bus/Port A	134	Vcc	-	Power supply (1.8 V)
31	D17/PTA[1]	I/O	Data bus/Port A	135	AUDATA[0]/PTG[0]	I/O	AUD data/Input port G
32	D16/PTA[0]	I/O	Data bus/Port A	136	TRST/PTF[7]/PINT[5]	I	Test reset/Input port F/Interrupt port
33	VssO	-	Ground	137	TMS/PTF[6]/PINT[4]	I	Test mode switch/Input port F/Interrupt port
34	D15	I/O	Data bus	138	TDI/PTF[5]/PINT[3]	I	Input test data/Input port F/Interrupt port
35	VccO	-	Power supply (3.3 V)	139	TCK/PTF[4]/PINT[2]	I	Test clock/Input port F/Interrupt port
36	D14	I/O	Data bus	140	IRLS[3]/PTF[3]/PINT[1]	I	Interrupt request/Input port F/Interrupt port
37	D13	I/O	Data bus	141	IRLS[2]/PTF[2]/PINT[0]	I	Interrupt request/Input port F/Interrupt port
38	D12	I/O	Data bus	142	IRLS[1]/PTF[1]/PINT[9]	I	Interrupt request/Input port F/Interrupt port
39	D11	I/O	Data bus	143	IRLS[0]/PTF[0]/PINT[8]	I	Interrupt request/Input port F/Interrupt port
40	D10	I/O	Data bus	144	MDO	I	Clock mode
41	D9	I/O	Data bus	145	Vcc-PLL*2	-	PLL1 Power supply (1.8 V)
42	D8	I/O	Data bus	146	CAP1	-	PLL1 capacitor
43	D7	I/O	Data bus	147	Vss-PLL*2	-	PLL1 Ground
44	D6	I/O	Data bus	148	Vss-PLL*2	-	PLL2 Ground
45	VssO	-	Ground	149	CAP2	-	PLL2 capacitor
46	D5	I/O	Data bus	150	Vcc-PLL*2	-	PLL2 Power supply (1.8 V)
47	VccO	-	Power supply (3.3 V)	151	AUDCK/PTH[6]	I	AUD clock/Input port H
48	D4	I/O	Data bus	152	Vss	-	Ground
49	D3	I/O	Data bus	153	Vss	-	Ground
50	D2	I/O	Data bus	154	Vcc	-	Power supply (1.8 V)
51	D1	I/O	Data bus	155	XTAL	O	Clock oscillator
52	D0	I/O	Data bus	156	EXTAL	I	Clock/Crystal oscillator
53	A0	I	Address bus	157	STATUS0/PTJ[6]	I/O	cessor status/Port J
54	A1	I	Address bus	158	STATUS1/PTJ[7]	I/O	Pross./Port J
55	A2	I	Address bus	159	TCLK/PTH[7]	I/O	Clock/Port H
56	A3	I	Address bus	160	IROOUT	O	Interrupt request
57	VssO	-	Ground	161	VssO	-	Ground
58	A4	I	Address bus	162	CKIO	I/O	System Clock
59	VccO	-	Power supply (3.3 V)	163	VccO	-	Power supply (3.3 V)
60	A5	I	Address bus	164	TxD0/SCPT[0]	O	Data transmission 0/Output port
61	A6	I	Address bus	165	SOK0/SCPT[1]	I/O	Serial clock/Port
62	A7	I	Address bus	166	TxD1/SCPT[2]	O	Data transmission 1/Output port
63	A8	I	Address bus	167	SCK1/SCPT[3]	I/O	Serial clock/Port
64	A9	I	Address bus	168	TxD2/SCPT[4]	O	Data transmission 2/Output port
65	A10	I	Address bus	169	SCK2/SCPT[5]	I/O	Serial clock/Port
66	A11	I	Address bus	170	RTS2/SCPT[6]	I/O	Request to send 2/Output port
67	A12	I	Address bus	171	RxD0/SCPT[0]	I	Data reception 0/Output port
68	A13	I	Address bus	172	RxD1/SCPT[2]	I	Data reception 1/Output port
69	VssO	-	Ground	173	Vss	-	Ground
70	A14	I	Address bus	174	RxD2/SCPT[4]	I	Data reception 2/Output port
71	VccO	-	Power supply (3.3 V)	175	Vcc	-	Power supply (1.8 V)
72	A15	I	Address bus	176	CTS2/IR05/SCP[7]	I	Clear to send 2/Interrupt request/Input port
73	A16	I	Address bus	177	MCS[7]/PTC[7]/PINT[7]	I/O	Mask chip select/Port C/Interrupt port
74	A17	I	Address bus	178	MCS[6]/PTC[6]/PINT[6]	I/O	Mask chip select/Port C/Interrupt port
75	A18	I	Address bus	179	MCS[5]/PTC[5]/PINT[5]	I/O	Mask chip select/Port C/Interrupt port
76	A19	I	Address bus	180	MCS[4]/PTC[4]/PINT[4]	I/O	Mask chip select/Port C/Interrupt port
77	A20	I	Address bus	181	VssO	-	Ground
78	A21	I	Address bus	182	WAKEUP/PTD[3]	I/O	Standby mode/Port D
79	Vss	-	Ground	183	VccO	-	Power supply (3.3 V)
80	A22	I	Address bus	184	RESETUP/PTD[2]	I/O	Reset output/Port D
81	Vcc	-	Power supply (1.8 V)	185	MCS[3]/PTC[3]/PINT[3]	I/O	Mask chip select/Port C/Interrupt port
82	A23	I	Address bus	186	MCS[2]/PTC[2]/PINT[2]	I/O	Mask chip select/Port C/Interrupt port
83	VssO	-	Ground	187	MCS[1]/PTC[1]/PINT[1]	I/O	Mask chip select/Port C/Interrupt port
84	A24	I	Address bus	188	MCS[0]/PTC[0]/PINT[0]	I/O	Mask chip select/Port C/Interrupt port
85	VccO	-	Power supply (3.3 V)	189	DRAK0/PTD[1]	I/O	DMA transfer request/I/Port D
86	A25	I	Address bus	190	DRAK1/PTD[0]	I/O	DMA transfer request/I/Port D
87	BS/PTK[4]	I/O	Bus cycle signal start/Port K	191	DREQ0/PTD[4]	I	DMA transfer request/Input port D
88	RD	O	Read strobe	192	DREQ1/PTD[6]	I	DMA transfer request/Input port D
89	WE0/DOMLL	O	D7-D0 select signal/DOM (SDRAM)	193	RESETP	I	Power on reset
90	WE1/DOMLU/WE	O	D15-D8 select signal/DOM (SDRAM)	194	CA	I	Chip active/Hardware stand by request
91	WE2/DOMLUC/DOR/PTK[6]	I/O	D23-D16 select signal/DOM (SDRAM)/PCMCIA I/O read/Port K	195	MD3	I	Area 0 bus allocation
92	WE3/DOMLUC/DWR/PTK[7]	I/O	D31-D24 select signal/DOM (SDRAM)/PCMCIA I/O write/Port K	196	MD4	I	Area 0 bus allocation
93	RD/W/R	O	Read/Write	197	MD5	I	Area 0 bus allocation
94	AUDSYNC/PTE[7]	I/O	AUD sync. signal/Port E	198	AVss	-	Ground
95	VssO	-	Ground	199	AN[0]/PTL[0]	I	AD converter input/Input port L
96	CS0/MCS[0]	O	Chip select/Mask ROM chip select	200	AN[1]/PTL[1]	I	AD converter input/Input port L
97	VccO	-	Power supply (3.3 V)	201	AN[2]/PTL[2]	I	AD converter input/Input port L
98	CS2/PTK[0]	I/O	Chip select 2/Port K	202	AN[3]/PTL[3]	I	AD converter input/Input port L
99	CS3/PTK[1]	I/O	Chip select 3/Port K	203	AN[4]/PTL[4]	I	AD converter input/Input port L
100	CS4/PTK[2]	I/O	Chip select 4/Port K	204	AN[5]/PTL[5]	I	AD converter input/Input port L
101	CS5/CE1A/PTK[3]	I/O	Chip select 5/CE1/Port K	205	AVcc (3.3 V)	-	Analog Power supply (3.3 V)
102	CS6/CE1B	I/O	Chip select 6/CE1	206	AN[6]/DA[1]/PTL[6]	I	AD converter input/Input port L
103	CE2A/PTE[4]	I/O	Card enable/Port E	207	AN[7]/DA[0]/PTL[7]	I	AD converter input/Input port L
104	CE2B/PTE[5]	I/O	Card enable/Port E	208	AVss	-	Ground

● YSS910-S (XV988A00) DSP6 (Digital Signal Processor)

CPU: IC143, 159

PIN NO.	NAME	I/O	FUNCTION	PIN NO.	NAME	I/O	FUNCTION		
1	Vdd		Power supply (3.3 V)	89	Vss		Ground		
2	Vss		Ground	90	DB13	I/O	Parallel data bus		
3	XI	I	System master clock input (60 MHz or 30 MHz)	91	DB14	I/O			
4	XO	O	System master clock output (High or 30 MHz)	92	DB15	I/O			
5	Vdd		Power supply (5 V)	93	DB16	I/O			
6	/SYNCI	I	Sync. signal input	94	DB17	I/O			
7	/SYNCO	O	Sync. signal output	95	DB18	I/O			
8	Vdd		Power supply (5 V)	96	DB19	I/O			
9	CKI	I	System clock input (30 MHz)	97	DB20	I/O			
10	CKO	O	System clock output (30 MHz)	98	DB21	I/O			
11	CKSEL	I	System master clock select (0: 60 MHz, 1: 30 MHz)	99	DB22	I/O			
12	Vss		Ground	100	Vss		Ground		
13	MCKS	I	Serial I/O master clock input (128 x Fs)	101	Vdd		Power supply (3.3 V)		
14	/SSYNC	I	Serial I/O Sync. signal output	102	DB23	I/O	Parallel data bus		
15	/IC	I	Initial clear	103	DB24	I/O			
16	/TEST	I	Test mode setting (0: Test, 1: Normal)	104	DB25	I/O			
17	BTYP	I	Data bus type select (0: 8 bit, 1: 16 bit)	105	DB26	I/O			
18	/IRQ	O	IRQ output	106	DB27	I/O			
19	TRIG	I/O	Trigger signal input/output	107	DB28	I/O			
20	Vdd		Power supply (5 V)	108	DB29	I/O			
21	Vss		Ground	109	DB30	I/O			
22	/CS	I	chip select signal input	110	DB31	I/O			
23	/WR	I	Write signal input	111	TIMO/DBOE	I/O		Timing signal output/ Parallel data bus output/ input	
24	/RD	I	Read signal input	112	Vss		Ground		
25	CA7	I/O	Address bus of internal register	113	Vdd		Power supply (5 V)		
26	CA6	I/O			114	DA00	I/O	Memory data bus	
27	CA5	I/O			115	DA01	I/O		
28	CA4	I/O			116	DA02	I/O		
29	CA3	I/O			117	DA03	I/O		
30	CA2	I/O			118	DA04	I/O		
31	CA1	I/O			119	DA05	I/O		
32	Vss		Ground	120	DA06	I/O	Memory data bus		
33	Vdd		Power supply (3.3 V)	121	DA07	I/O			
34	CD15	I/O	Data bus of internal register	122	Vss			Ground	
35	CD14	I/O			123	DA08		I/O	
36	CD13	I/O			124	DA09		I/O	
37	CD12	I/O			125	DA10		I/O	
38	CD11	I/O			126	DA11		I/O	
39	CD10	I/O			127	DA12		I/O	
40	CD09	I/O			128	DA13		I/O	
41	CD08	I/O			129	DA14		I/O	
42	CD07	I/O			130	DA15	I/O		
43	CD06	I/O			131	Vss		Ground	
44	Vss		Ground	132	Vdd		Power supply (3.3 V)		
45	Vdd		Power supply (3.3 V)	133	(n.c)		Not used		
46	Vdd		Power supply (5 V)	134	Vdd		Power supply (5 V)		
47	CD05	I/O	Data bus of internal register	135	DA16	I/O	Memory data bus		
48	CD04	I/O			136	DA17		I/O	
49	CD03	I/O			137	DA18		I/O	
50	CD02	I/O			138	DA19		I/O	
51	CD01	I/O			139	DA20		I/O	
52	CD00	I/O			140	DA21		I/O	
53	/WAIT	O		WAIT output	141	DA22		I/O	
54	Vss		Ground	142	DA23	I/O	Memory data bus		
55	SI0	I	Serial data input	143	Vss			Ground	
56	SI1	I			144	DA24		I/O	
57	SI2	I			145	DA25		I/O	
58	SI3	I			146	DA26		I/O	
59	SI4	I			147	DA27		I/O	
60	SI5	I			148	DA28		I/O	
61	SI6	I			149	DA29		I/O	
62	SI7	I		150	DA30	I/O			
63	Vss		Ground	151	DA31	I/O		Memory data bus	
64	Vdd		Power supply (5 V)	152	Vdd		Power supply (5 V)		
65	SO0	O	Serial data output	153	Vss		Ground		
66	SO1	O			154	A00	O		
67	SO2	O			155	A01	O		
68	SO3	O			156	A02	O		
69	SO4	O			157	A03	O		
70	SO5	O			158	A04	O		
71	SO6	O			159	A05	O		
72	SO7	O		160	A06	O			
73	Vss		Ground	161	A07	O	Memory address (SRAM, PSRAM, DRAM)		
74	DB00	I/O	Parallel data bus	162	A08	O			
75	DB01	I/O			163	A09		O	
76	DB02	I/O			164	Vss			Ground
77	DB03	I/O			165	Vdd			Power supply (3.3 V)
78	DB04	I/O			166	A10		O	
79	DB05	I/O			167	A11		O	
80	DB06	I/O			168	A12		O	
81	DB07	I/O			169	A13		O	
82	DB08	I/O			170	A14		O	
83	DB09	I/O			171	A15/RAS	O		
84	DB10	I/O	Power supply (5 V)	172	A16/CAS	O	Memory address (SRAM, PSRAM), /RAS (DRAM)		
85	DB11	I/O		Power supply (3.3 V)	173	A17/CE	O	Memory address (SRAM, PSRAM), /CAS (DRAM)	
86	DB12	I/O				174	/WE	O	Memory address (SRAM), /CE (PSRAM)
87	Vdd					175	/OE	O	Memory write enable signal
88	Vdd					176	Vdd		Memory output enable signal
									Power supply (5 V)

● YSS916-H (XW867A00) CNV3 DSP (Convolver)

CNV: IC1–16, 35–50

PIN NO.	NAME	I/O	FUNCTION	PIN NO.	NAME	I/O	FUNCTION			
1	VSS		Ground (GND)	65	VSS		Ground (GND)			
2	VDD33		Power supply (+3.3 V)	66	VDD33		Power supply (+3.3 V)			
3	CSN	I	Chip select	67	VDD25		Power supply (+2.5 V)			
4	WRN	I	Write	68	SCLK	I	System clock			
5	RDN	I	Read	69	RSTN	I	Reset			
6	WAITN	O	Wait	70	OVFN	O	Overflow flag			
7	A4	I	Address bus	71	TXFN	O	Coefficient factor write interdiction flag			
8	A3	I			72	VSS		Ground (GND)		
9	A2	I			73	BCLK	I	Bit clock		
10	A1	I			74	WCLK	I	Word clock		
11	DACKN	I	DMA strobe	75	WSEL0	I	Serial data format			
12	DREQN	O	DMA request	76	WSEL1	I				
13	VSS		Ground (GND)	77	FSSEL	I	Fs select			
14	VDD33		Power supply (+3.3 V)	78	BUSWD	I	DMA data bus (24/16 bit) switch			
15	VDD25		Power supply (+2.5 V)	79	BUSW	I	data bus (32/16bit) switch			
16	D00	I/O	Data bus	80	TST	I	Test pin			
17	D01	I/O			81	VSS		Ground (GND)		
18	D02	I/O			82	VDD33		Power supply (+3.3 V)		
19	D03	I/O			83	TST00	O	Test output		
20	D04	I/O			84	TST01	O			
21	D05	I/O			85	TST02	O			
22	D06	I/O			86	TST03	O			
23	D07	I/O		87	TST04	O				
24	VSS		Ground (GND)	88	TST05	O				
25	D08	I/O	Data bus	89	TST06	O				
26	D09	I/O			90	TST07	O			
27	D10	I/O			91	TST08	O			
28	D11	I/O			92	TST09	O			
29	D12	I/O			93	VSS		Ground (GND)		
30	D13	I/O			94	VDD25		Power supply (+2.5 V)		
31	D14	I/O		Ground (GND)	95	MI1	I	Mixing input		
32	D15	I/O			96	MI0	I			
33	VSS				97	SI1	I	Serial data input		
34	VDD33		Power supply (+3.3 V)	98	SI0	I				
35	VDD25		Power supply (+2.5 V)	99	DO1	O	Data output			
36	D16	I/O	Data bus	100	DO0	O				
37	D17	I/O			101	VSS		Ground (GND)		
38	D18	I/O			102	VDD33		Power supply (+3.3 V)		
39	D19	I/O			103	VDD25		Power supply (+2.5 V)		
40	D20	I/O		Data bus	104	TST10	O	Test output		
41	D21	I/O				105	TST11		O	
42	D22	I/O				106	TST12		O	
43	D23	I/O			107	TST13	O			
44	VSS		Ground (GND)	108	TST14	O				
45	D24	I/O	Data bus	109	TST15	O				
46	D25	I/O			110	TST16	O			
47	D26	I/O			111	TST17	O			
48	D27	I/O			112	TST18	O			
49	D28	I/O			113	TST19	O			
50	D29	I/O			114	TST20	O			
51	D30	I/O		Ground (GND)	115	VSS				
52	D31	I/O			116	VDD33		Power supply (+3.3 V)		
53	VSS				117	VDD25		Power supply (+2.5 V)		
54	VDD33		Power supply (+3.3 V)	118	TST21	O	Test output			
55	VDD25		Power supply (+2.5 V)	119	TST22	O				
56	n.c		Not used	120	TST23	O				
57	n.c				121	TST24		O		
58	n.c				122	TST25		O		
59	n.c				123	TST26		O		
60	n.c		Data input	124	TST27	O				
61	DI0	I			125	TST28	O			
62	DI1	I		126	TST29	O				
63	SO0	O	Serial data output	127	TST30	O				
64	SO1	O			128	TST31	O			

• MBCG46183-129 (XV833A00) Gate Array

CPU: IC114

PIN NO.	NAME	I/O	FUNCTION	PIN NO.	NAME	I/O	FUNCTION
1	D5	I/O	} Data Bus	25	TX31	O	Transmit Data 31
2	D6	I/O		26	RX32	I	Receive Data 32
3	D7	I/O		27	TX32	O	Transmit Data 32
4	/IRQ0	I/O	Interrupt Request Port 0	28	RX33	I	Receive Data 33
5	/IRQ1	I/O	Interrupt Request Port 1	29	TX33	I/O	Transmit Data 33
6	Vss	I	Ground	30	/IC	I	Initial Clear
7	/IRQ2	I/O	Interrupt Request Port 2	31	Vss	I	Ground
8	IRQ3	I/O	Interrupt Request Port 3	32	XI	I	Quartz Crystal Input
9	/RD	I	Read Signal Input	33	Vss	I	Ground
10	/WR	I	Write Signal Input	34	XO	I/O	Quartz Crystal Output
11	/CE	I	Chip Enable Input	35	A0	I	} Address Bus
12	/ASTB	I	Address Strobe (Not used: to ground)	36	A1	I	
13	TESTSIO	I	Input with Pull-down Resistor (50 k)	37	A2	I	
14	RX0	I	Receive Data 0	38	A3	I	
15	TX0	O	Transmit Data 0	39	A4	I	} CPU Clock
16	RX1	I	Receive Data 1	40	A5	I	
17	TX1	O	Transmit Data 1	41	CPUCLK	I	
18	Vss	I	Ground	42	Vss	I	Ground
19	VDD	I	Power Supply	43	VDD	I	Power Supply
20	RX2	I	Receive Data 2	44	D0	I/O	} Data Bus
21	TX2/BO2	O	Transmit Data 2	45	D1	I/O	
22	RX30	I	Receive Data 30	46	D2	I/O	
23	TX30	O	Transmit Data 30	47	D3	I/O	
24	TX31	I	Receive Data 31	48	D4	I/O	

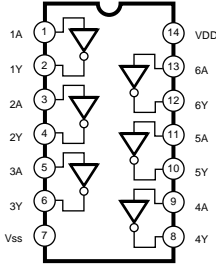
• YSD917-ME2 (XW526A00) DIR5 (Digital Format Interface Receiver)

CPU: IC150, 151

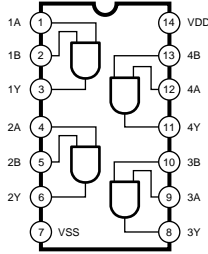
PIN NO.	NAME	I/O	FUNCTION	PIN NO.	NAME	I/O	FUNCTION
1	AVDD	-	PLL analog power supply (+5 V)	15	SDWCK	I/O	Serial data I/O word clock (Fs)
2	PCO	-	PLL phase comparison output	16	SDMCK	O	Master clock for serial output (256 or 128 x Fs)
3	AVSS	-	Analog ground	17	VSS	-	Ground
4	M/S	-	Master/Slave mode select	18	SYNC/U	O	Synch. signal for serial output/U bit data output
5	DDIN	-	Digital audio interface data input	19	FS128/C	O	Serial data master clock output (128 fs)/C bit data output
6	TEST	-	Test pin, not used	20	DBL/V	O	Double rate lock output/Validity flag output
7	/IC	-	Initial clear	21	ERR/BS	O	Data error flag output/Block start
8	VSS	-	Ground	22	/LOCK	O	PLL lock flag
9	XO	O	Crystal osc. output (24.576 MHz)	23	INT	O	Interrupt output
10	XI	I	Crystal osc. input (24.576 MHz)	24	VDD	-	Power supply (+5 V)
11	MCK	O	System clock output (12.288 MHz)	25	/CS	I	Chip select
12	VDD	-	Power supply (+5 V)	26	SO	O	Data output
13	SDO	O	Serial data output	27	SI	I	Data input
14	SDBCK	-	Serial data I/O bit clock (64 fs)	28	SCK	I	Bit clock input

IC BLOCK DIAGRAM

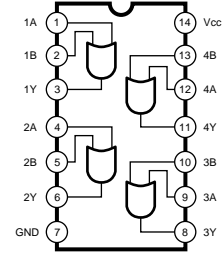
- **TC74VHC04F EL (XM332A00)**
TC74VHCT04AF (XT777A00)
Hex Inverter
CPU: IC117, 133



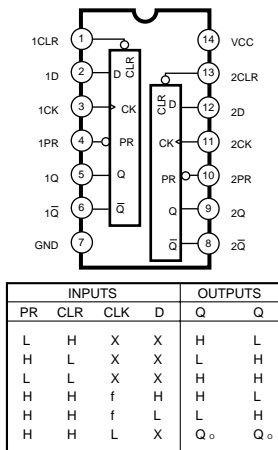
- **TC74VHC08FT (XV891A00)**
Quad 2 Input AND
CPU: IC301



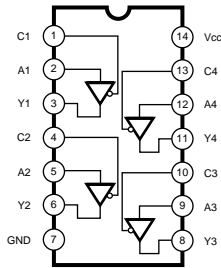
- **TC74VHC32FT (XY945A00)**
Quad 2 Input OR
CPU: IC121, 158



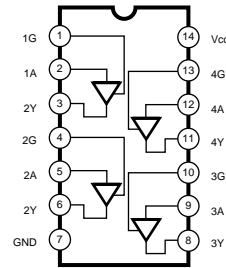
- **TC74VHC74FT (XV892A00)**
Dual D-Type Flip-Flop
CPU: IC139



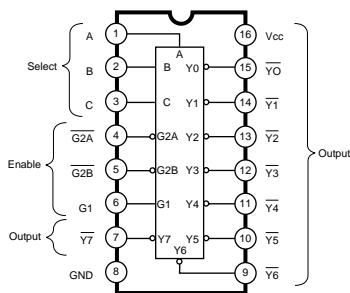
- **TC74VHC125FT (XY074A00)**
Quad 3-State Bus Buffer
CPU: IC146



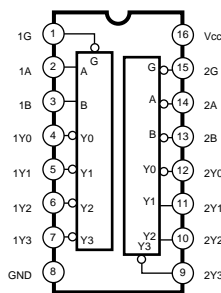
- **TC74VHCT126AFT (XY057A00)**
Bus Buffer
CPU: IC145



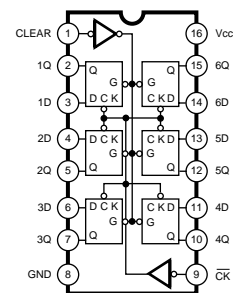
- **TC74VHC138FT (XZ495A00)**
3 to 8 Demultiplexer
CNV: IC19-22



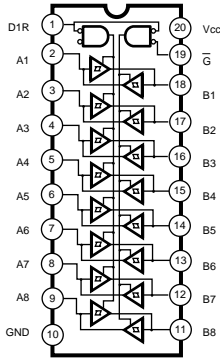
- **TC74VHC139FT (XV893A00)**
Dual 2 to 4 Demultiplexer
CPU: IC157, 169, 171
CNV: IC18



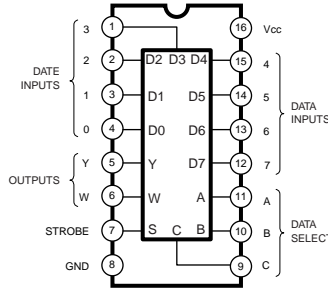
- **TC74ACT174F (XY938A00)**
Hex D-Type Flip-Flop
CPU: IC163, 164



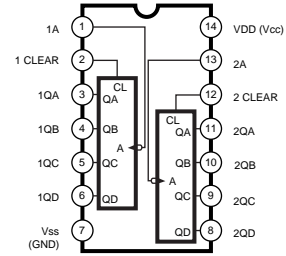
- **TC74VHCT245AFT (XT744A00)**
TC74VHC245FT (XU797A00)
Octal 3-State Bus Transceiver
CPU: IC119, 120, 123, 155, 165–168, 170
172–174, 179–184
CNV: IC23–34



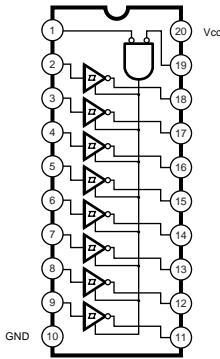
- **TC74HC251AF (XQ968A00)**
3-State 8 to 1 Data Selector
CPU: IC160



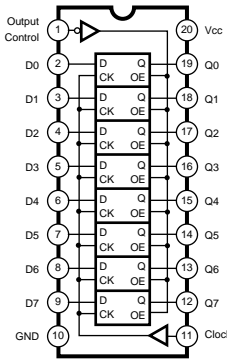
- **HD74LV393AFPEL (IS039300)**
Dual 4-Bit Binary Counter
CPU: IC302



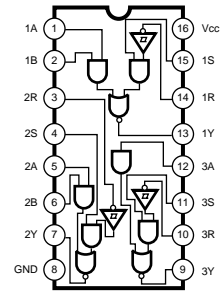
- **HD74LVC540AT (XZ512A00)**
Bus Buffer
CNV: IC17



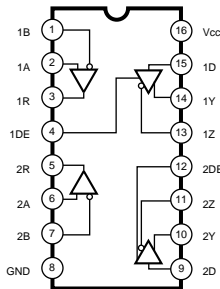
- **TC74VHCT574AFT (XY059A00)**
Octal D-Type Flip-Flop
CPU: IC161, 162



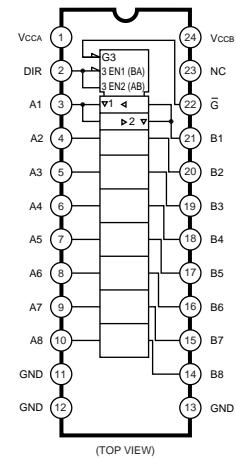
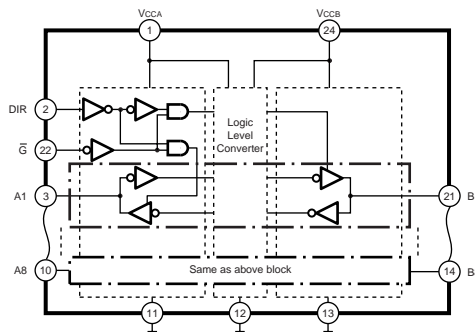
- **SN75124N (XE737A00)**
Line Receiver
CPU: IC144



- **SN75C1168NSR (XU073A00)**
Line Driver/Receiver
CPU: IC125, 142



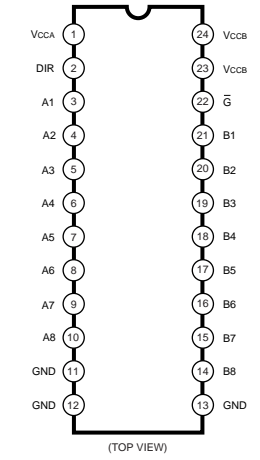
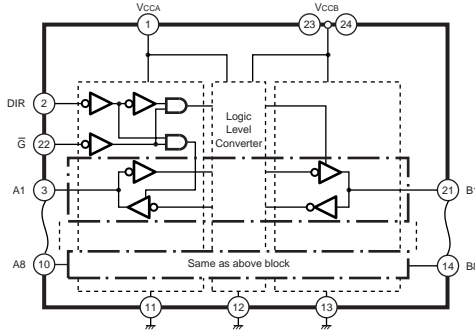
- **TC74LVXC3245FS (XY907A00)**
Dual Supply Octal Bus Transceiver
CPU: IC127–131



INPUTS		OUTPUTS	FUNCTION	
\bar{G}	DIR	A-BUS	A-BUS	B-BUS
L	L	A=B	OUTPUT	INPUT
L	H	B=A	INPUT	OUTPUT
H	X	Z	High Impedance	

X : Don't Care
Z : High Impedance

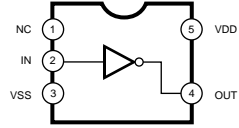
- **TC74LVX4245FS (XU229A00)**
Dual Supply Octal Bus Transceiver
CPU: IC137, 138, 175-178



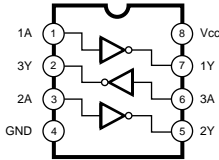
INPUTS		OUTPUTS		FUNCTION	
G	DIR	A=B	B=A	A-BUS	B-BUS
L	L	A=B	OUTPUT	INPUT	INPUT
L	H	B=A	INPUT	OUTPUT	OUTPUT
H	X	Z			High Impedance

X : Don't Care
Z : High Impedance

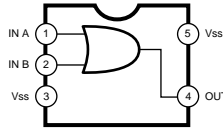
- **TC7S04F (XM182A00)**
Inverter Gate
CPU: IC135



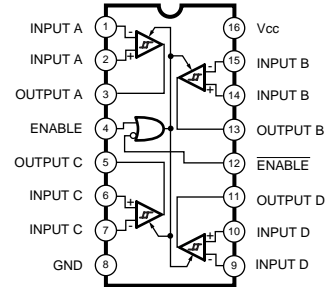
- **TC7W04FU (XP004A00)**
Triple Inverter
CPU: IC152



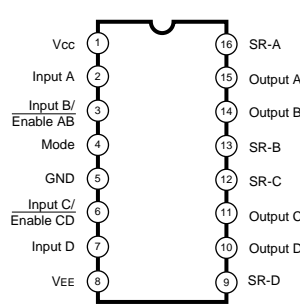
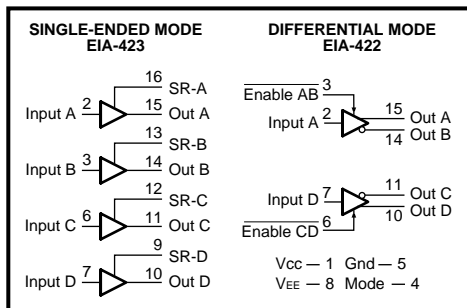
- **TC7S32FU (XP351A00)**
OR
CPU: IC136, 147



- **DS26C32ATMX (XU815A00)**
Quad Differential Line Receiver
CPU: IC124



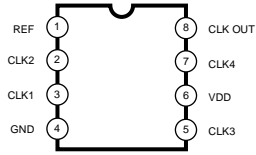
- **MC26LS30DR2 (XL334A00)**
Line Driver
CPU: IC126



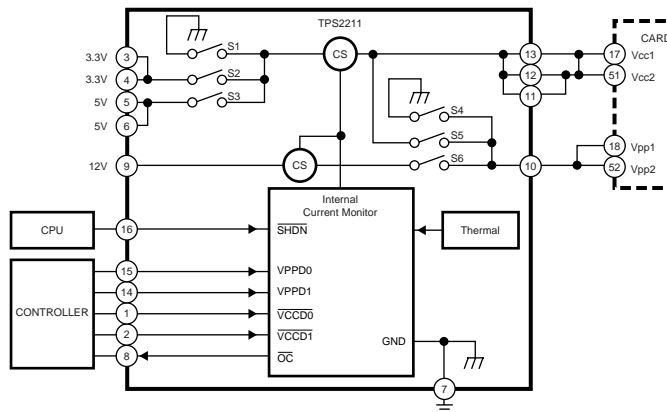
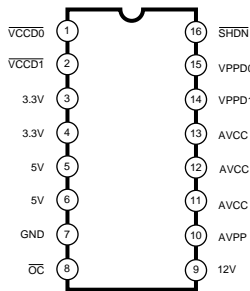
Operation	Vcc	VEE	Inputs				Outputs						
			Mode	A	B	C	D	A	B	C	D		
Differential (EIA-422-A)	+5.0	GND	0	0	0	0	0	0	1	1	0	0	
			0	1	0	0	1	1	0	0	1	0	0
			0	X	1	0	1	Z	Z	0	1	0	1
			0	1	0	0	0	1	0	1	0	1	0
			0	0	0	0	1	0	1	0	1	0	1
Single-Ended (EIA-423-A)	+5.0	-5.0	1	0	0	0	0	0	0	0	0	0	
			1	1	0	0	0	1	0	0	0	0	
			1	0	1	0	0	0	1	0	0	0	
			1	0	0	1	0	0	0	1	0	0	
			1	0	0	0	1	0	0	0	0	0	1
X	0	X	X	X	X	X	X	Z	Z	Z	Z		

X = Don't Care
Z = High Impedance (Off)

- **CY2305 (XY937A00)**
Clock Buffer
CPU: IC110



- **TPS2211IDBR (XY906A00)**
PCMCIA Power Interface Switch
CPU: IC132



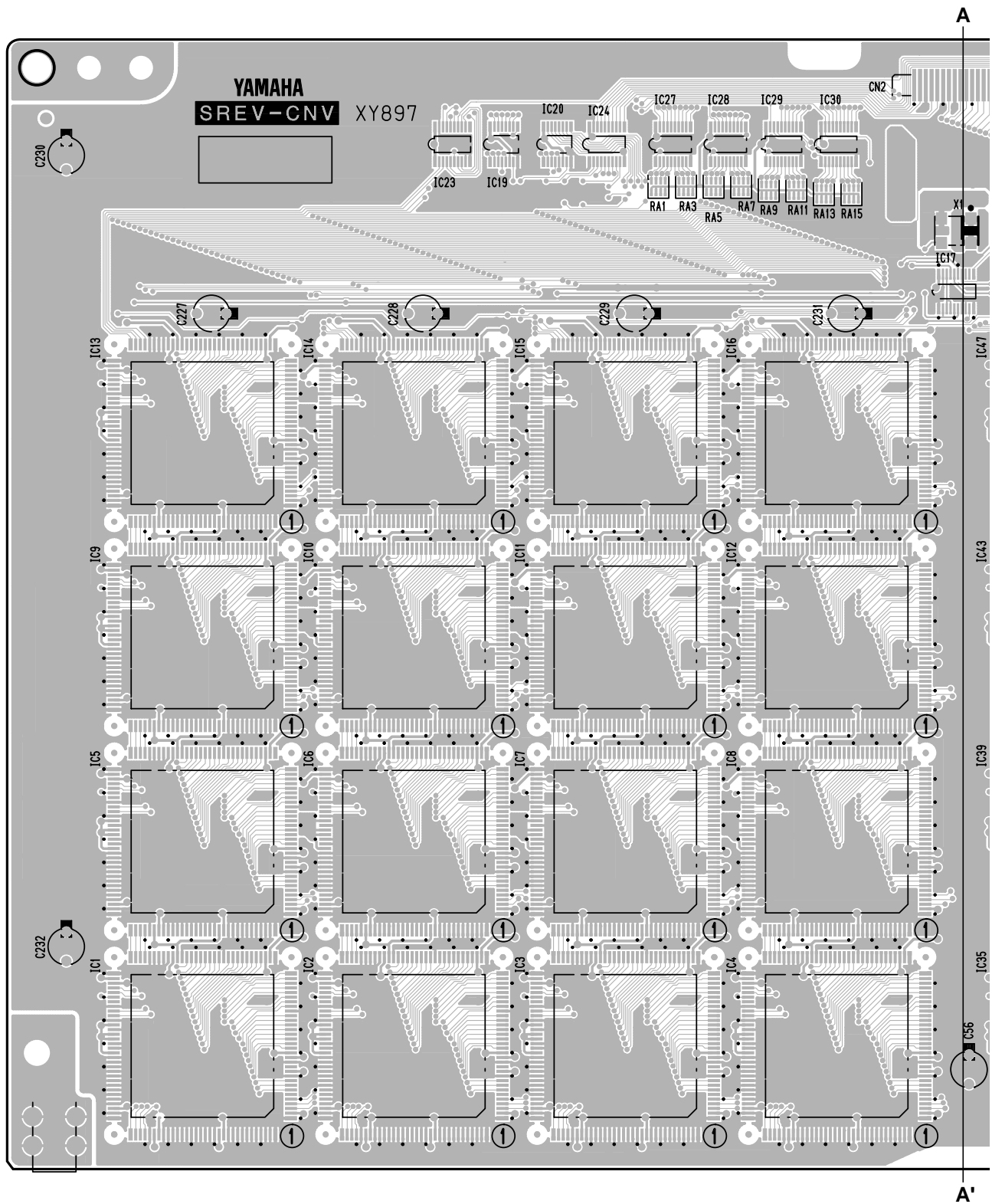
■ CIRCUIT BOARDS CONTENTS

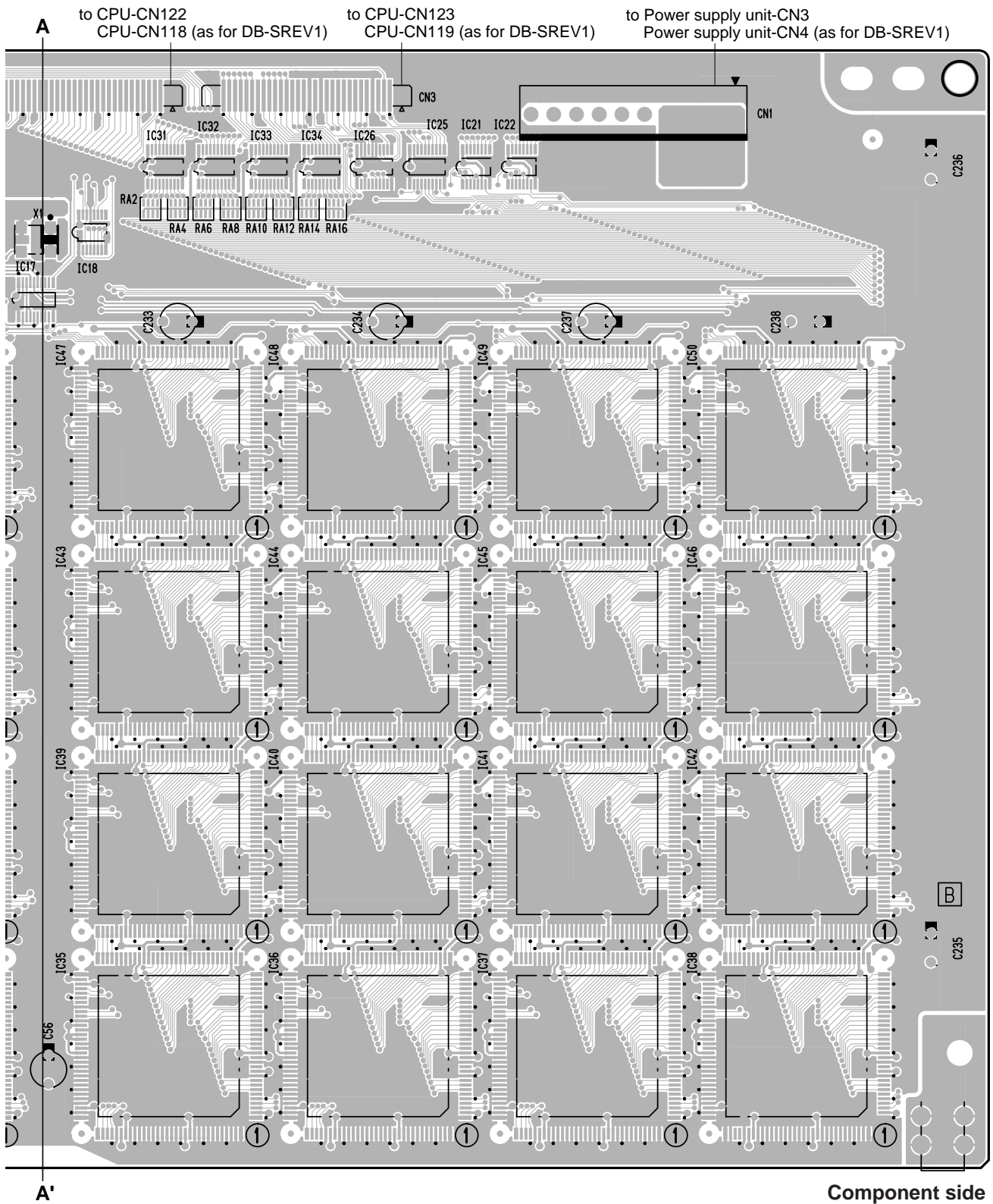
CD-ROM Circuit Board (XY898B0) 34
CNV Circuit Board (XY897B0) 29
CPU Circuit Board (XY898B0) 33
PCM Circuit Board (XY898B0)..... 37
SUB 1/4 Circuit Board (XY899B0) 38
SUB 2/4 Circuit Board (XY899B0) 39
SUB 3/4 Circuit Board (XY899B0) 40
SUB 4/4 Circuit Board (XY899B0) 40

Note: See parts list for details of circuit board component parts.

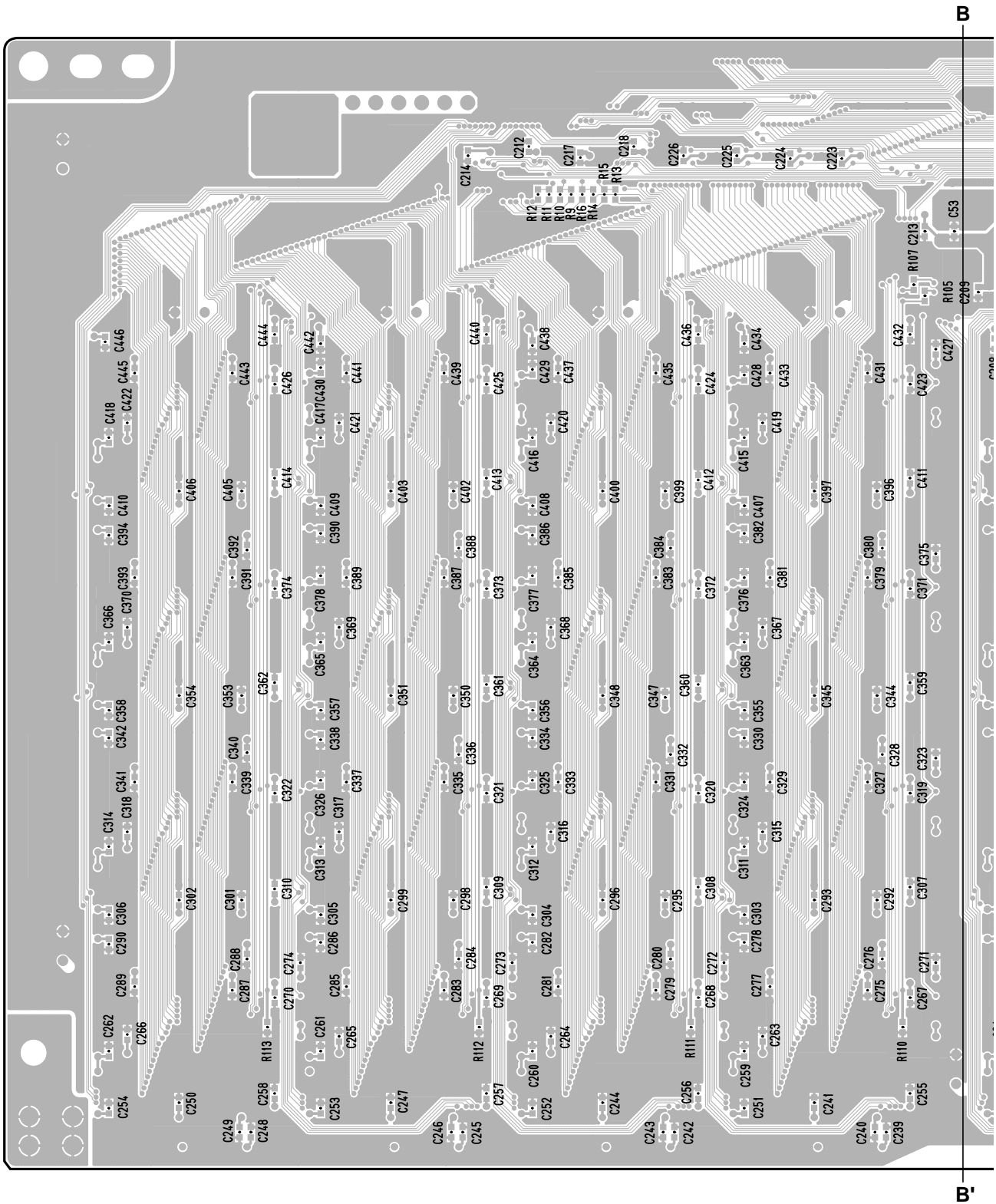
■ CIRCUIT BOARDS

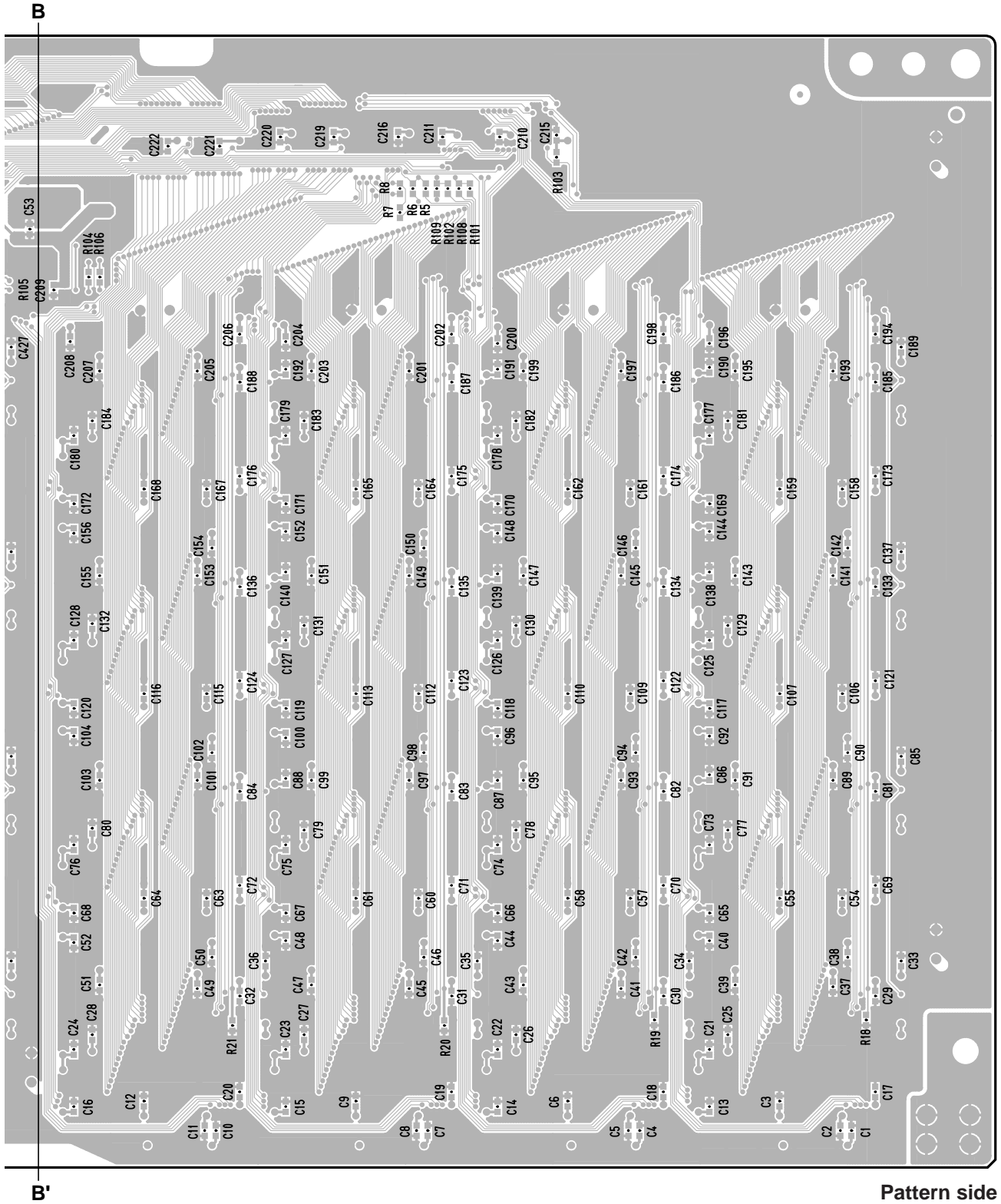
- CNV Circuit Board

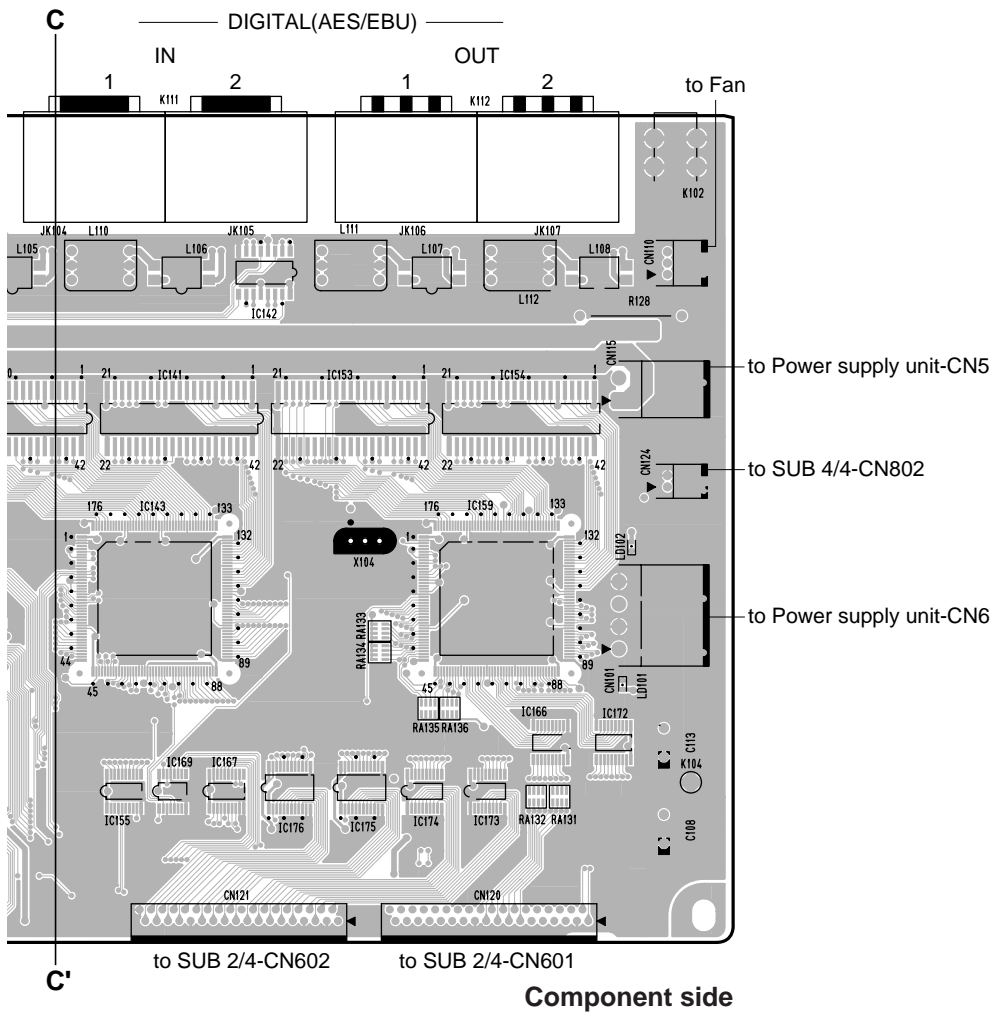




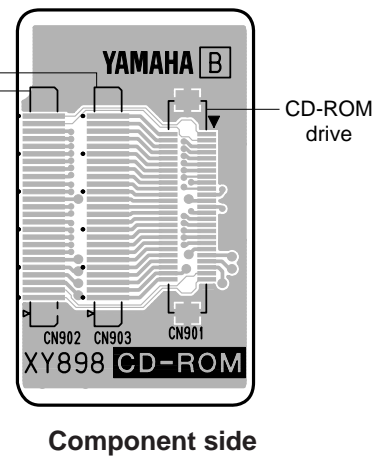
● CNV Circuit Board







● CD-ROM Circuit Board



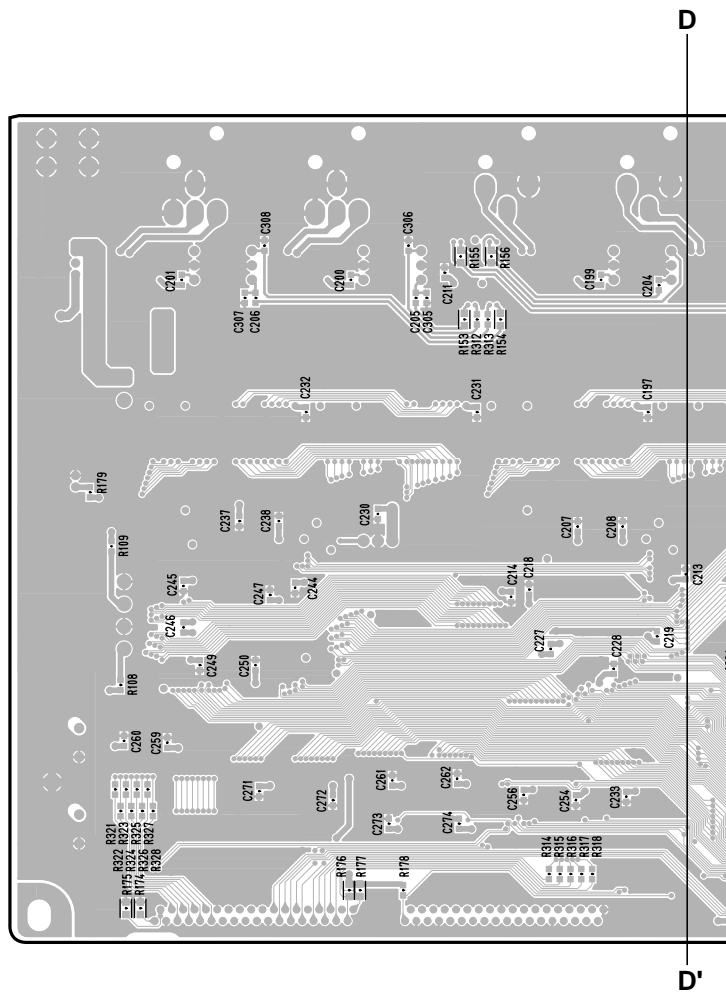
● Lithium Battery

Battery V6696200

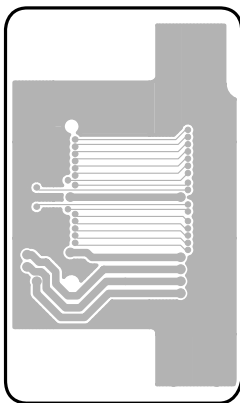
- Notice for back-up battery removal
Remove the solder; remove the back-up battery.
- Verwijder het soldeertin, verwijder daarna de batterij.



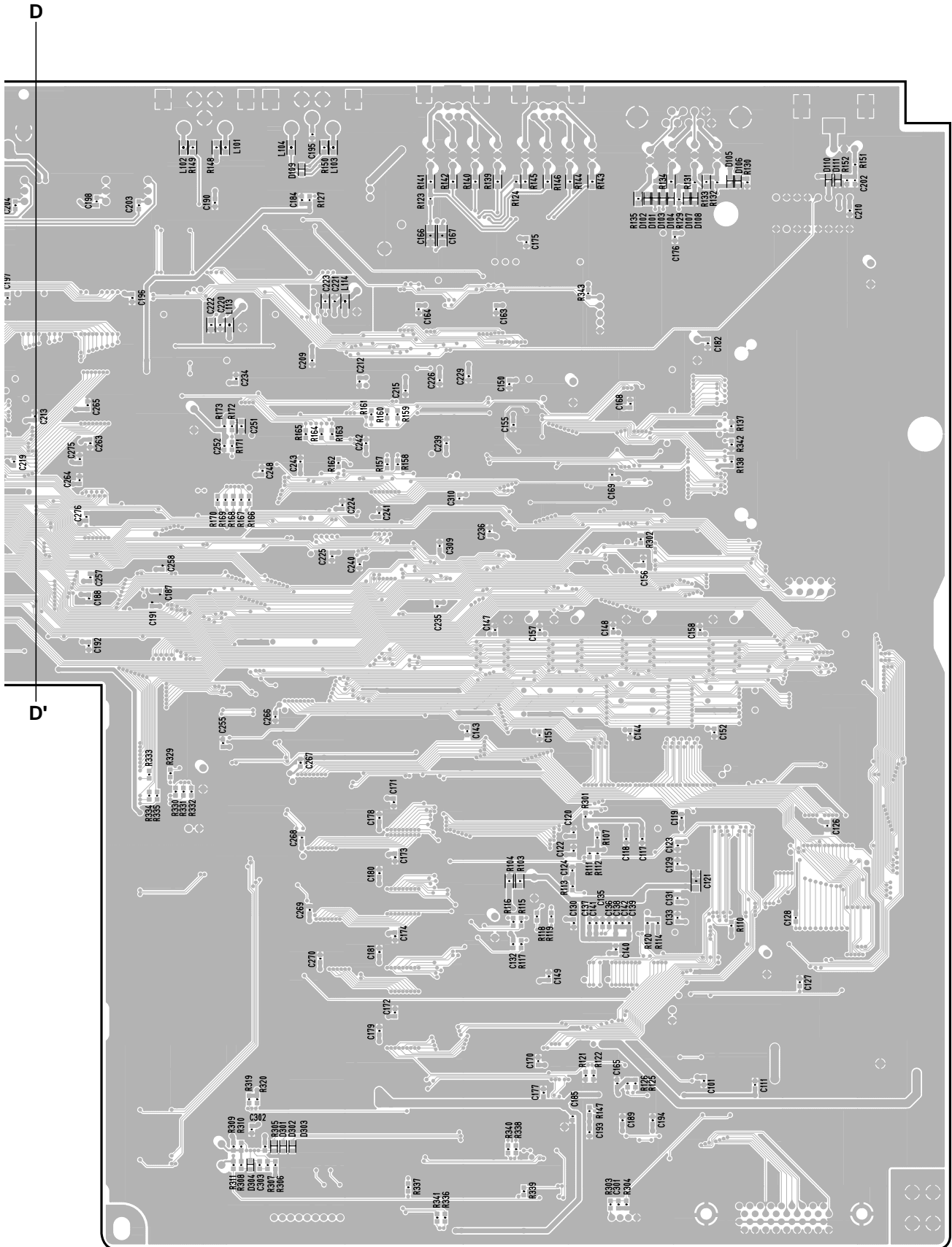
● CPU Circuit Board



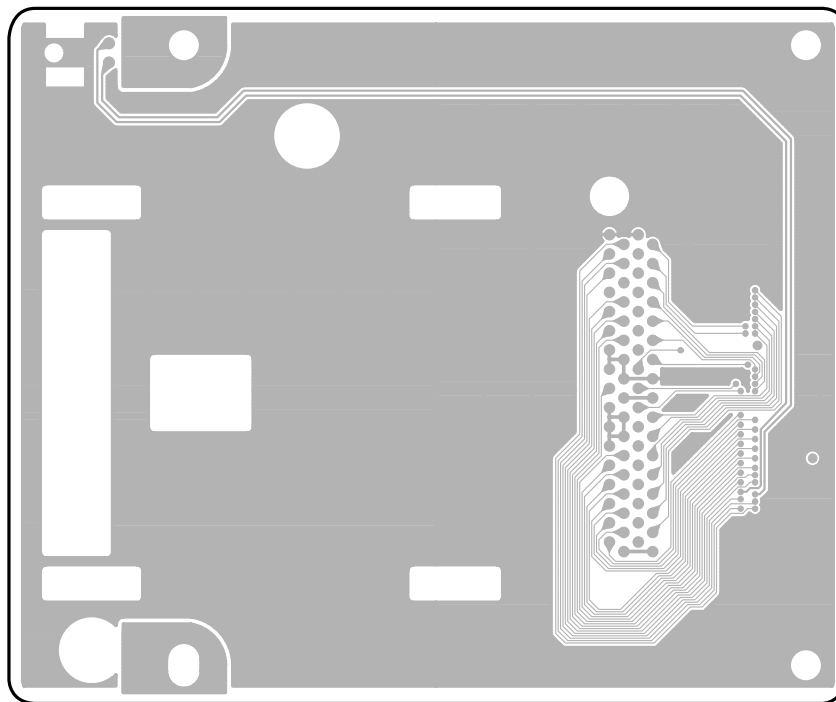
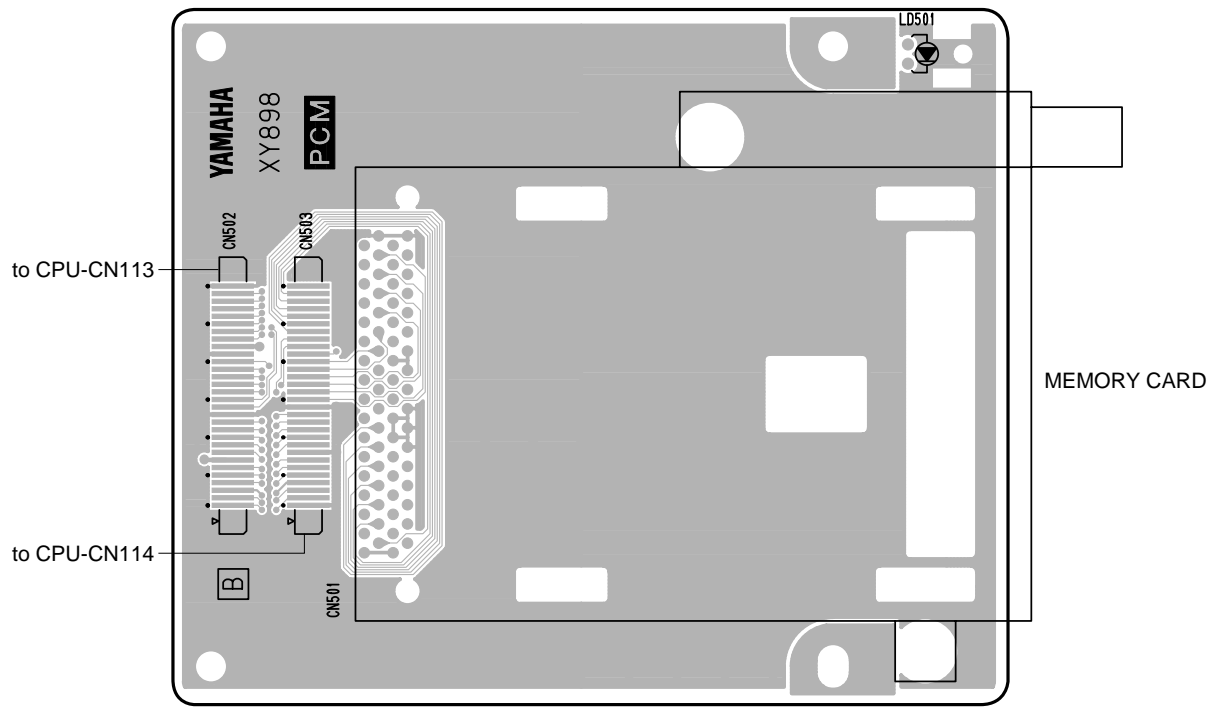
● CD-ROM Circuit Board



Pattern side



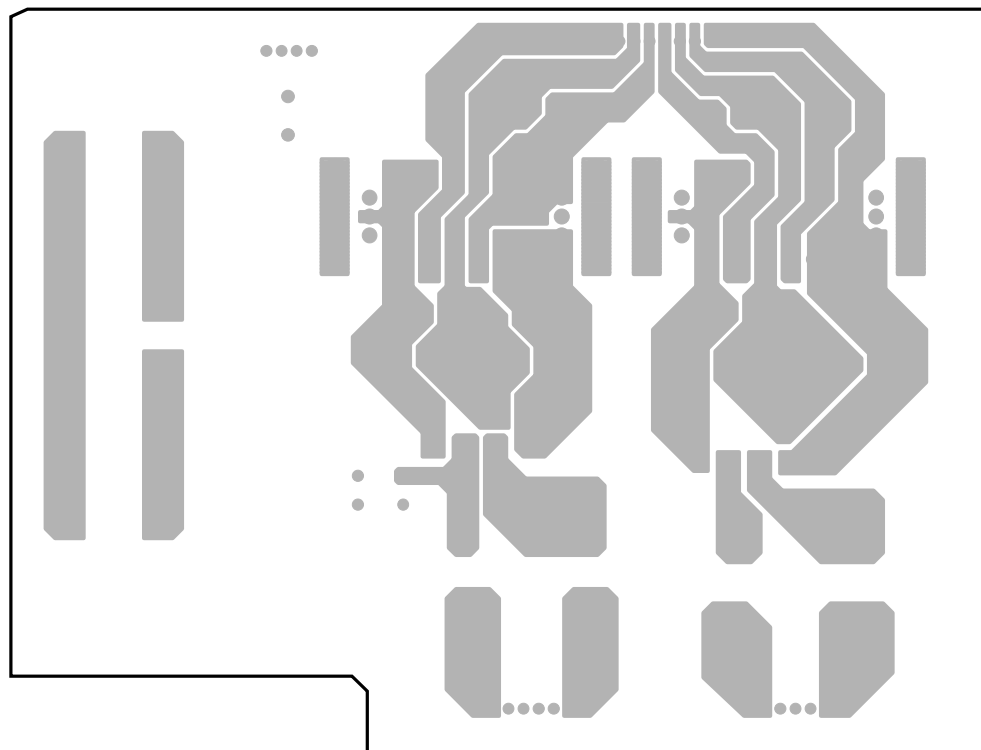
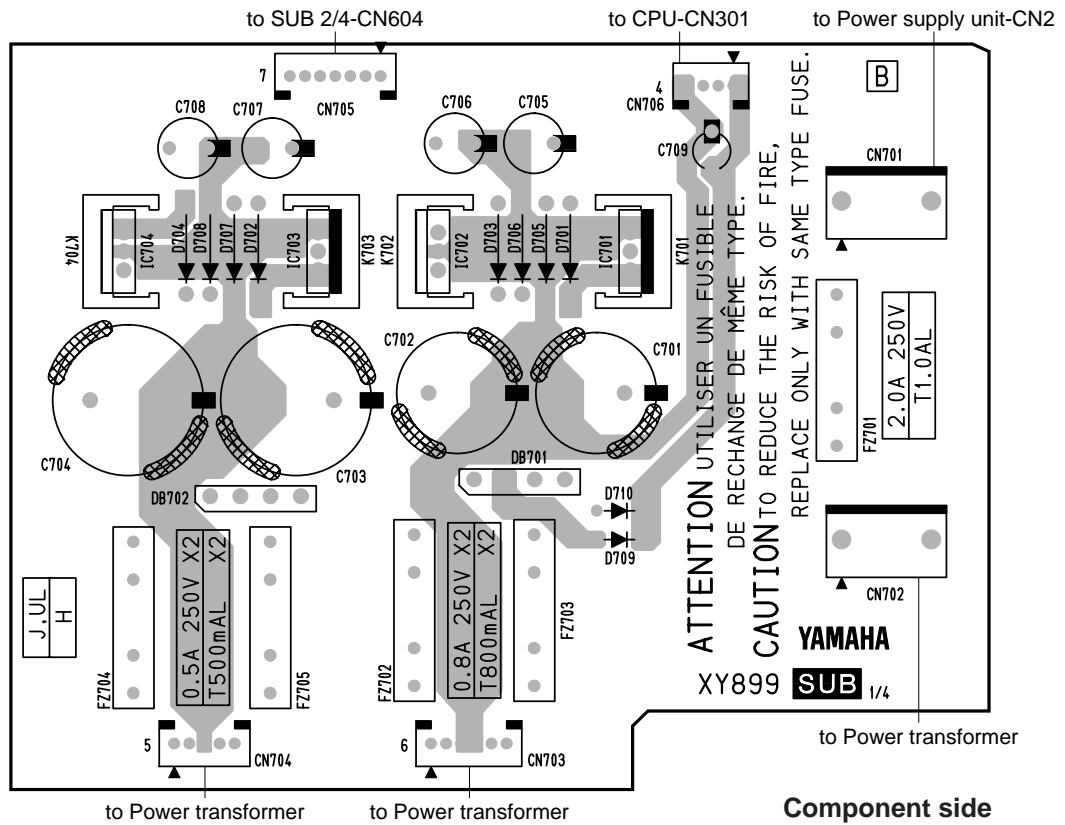
● PCM Circuit Board



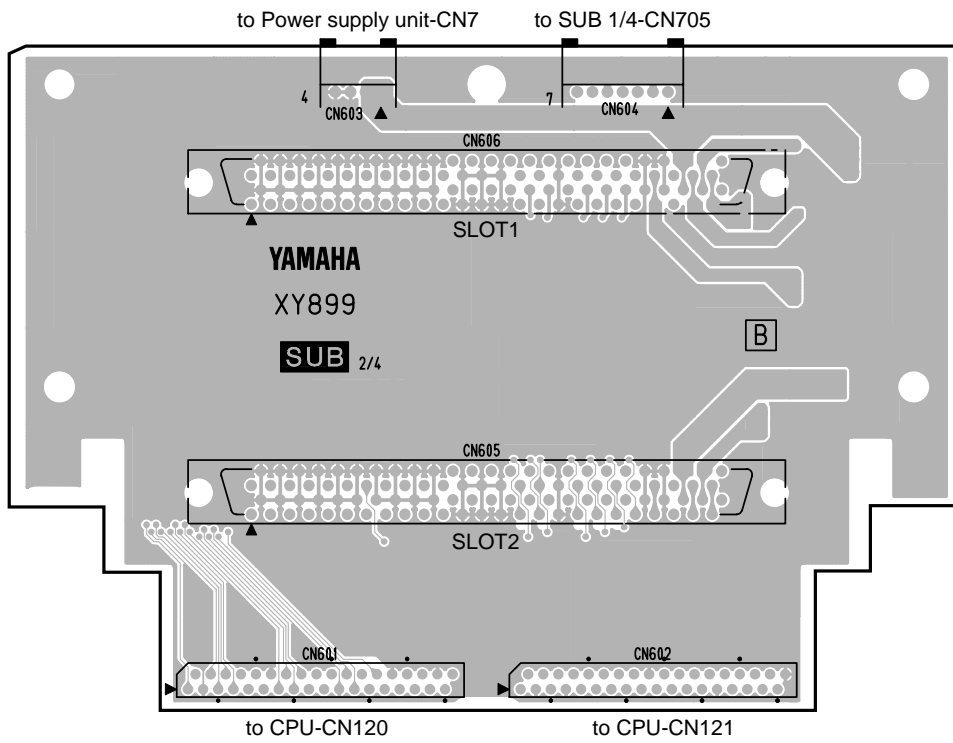
Pattern side

3NA-V587910-2△
3NA-V587910-3△

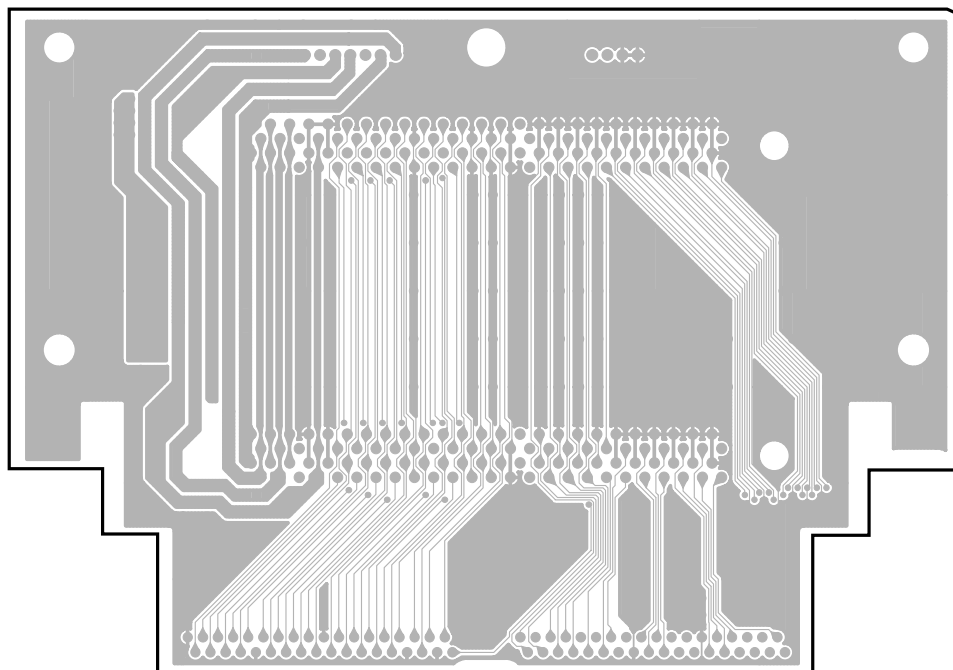
● SUB 1/4 Circuit Board



● SUB 2/4 Circuit Board

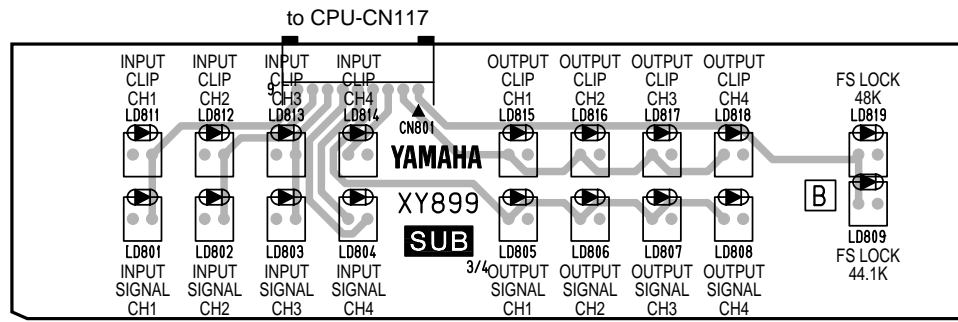


Component side

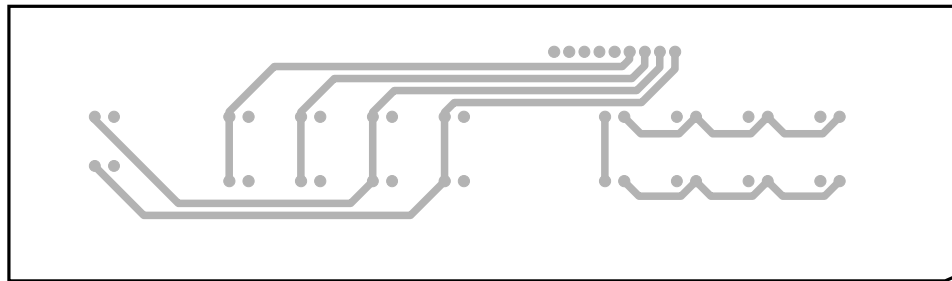


Pattern side

● SUB 3/4 Circuit Board

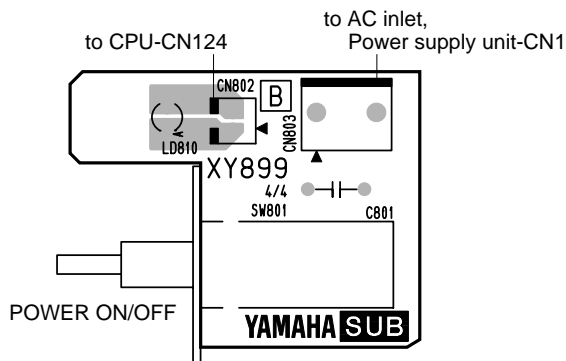


Component side

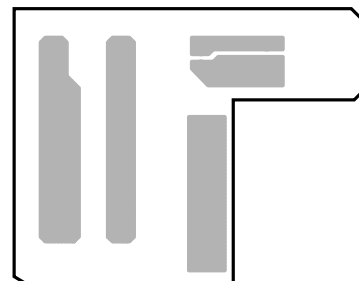


Pattern side

● SUB 4/4 Circuit Board



Component side



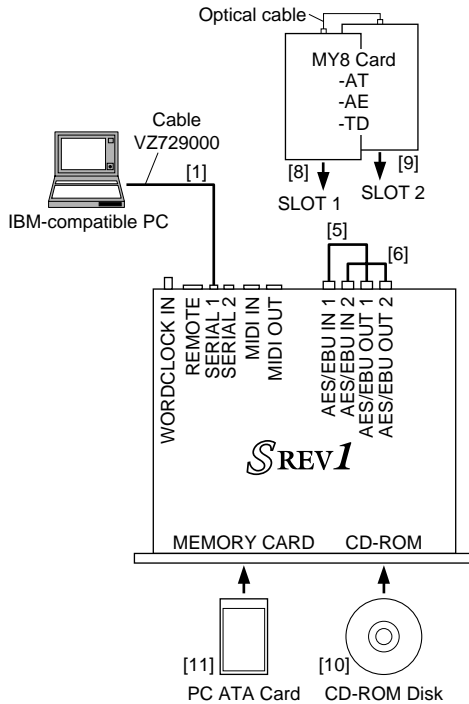
Pattern side

UPGRADE AND TEST PROGRAM

1. Outline of test program

- The test program is a separate and individual application from the regular program. (Not provided with this program)
- The test program is provided in a file titled "diag.bin".
- The test program is used by connecting the [SERIAL-1] terminal of the SREV1 and the RS232C terminal on an IBM-compatible PC using a DSUB9p-miniDIN8p cable.
- The terminal software "TeraTerm" is required when using on an IBM-compatible PC.

"TeraTerm" can be downloaded from the URL shown below.
<http://www.vector.co.jp/authors/VA002416/teraterm.html>
 (The address may be changed in future.)



2. Preparations for inspection

No.	Items
[1]	Use a DSUB9p-miniDIN8p Cable to connect the [SERIAL-1] terminal and the RS232C terminal on the PC (*1)
[5]	Use a canon cable to connect [AES/EBU IN-1] and [AES/EBU OUT-1]
[6]	Use a canon cable to connect [AES/EBU IN-2] and [AES/EBU OUT-2]
[8][9]	If there is a MY8 card in the option slot, loop back (*2).
[10]	Insert the CD-ROM Disc (*3) provided in the SREV1 package into the CD-ROM drive.
[11]	Insert the PC ATA Card (*4) into the [MEMORY CARD] slot.

- *1 Use an IBM-compatible PC that has a COM port. The settings for the COM port are: 8bit, Non-Parity, 1 Stop bit, No Flow Control.
- *2 Refer to the items relating to the details of individual inspections (MY8) for information about the loop back of the MY8 card.
- *3 This the CD-ROM disc included in the package with the product.
- *4 Store the test program "diag.bin" in the PC ATA card for the inspection. Download "diag.bin" from the YSISS home page.

3. Starting the test program

Turn on the power and after the normal application has started, start the test program using the PC card with the test program in it. Once the test program has been started, the following will appear on the "TeraTerm" terminal software.

```
SREV1 Diagnostics version 0.7
Copyright(C) 2000 YAMAHA Corporation All rights reserved.

wait for ready: [0]
exec_device_diagnostic: [14]
soft_reset 0:
soft_reset 1:
device not ready
CF=Slave, CD-ROM=Master

diag>■
```

4. Operating the test program

The various tests in the test program are started by entering them in the command line of the "TeraTerm" terminal software. As a result, the following will appear on the "TeraTerm" terminal software.

5. Test items

5-1. serv, total check

The inspection of the overall assembly is started by entering "serv" from the terminal. This will start the inspection and the progress status of the inspection for each item will be displayed on the terminal.

```
diag> serv
```

The inspection is completed. If all the items are OK, the following is displayed.

```
[ Service Tests are All OK ]

diag>
```

If there were items that were NG, the following list will be displayed.

```
[ Results of Service Tests ]
----- Test of AES/EBU-1 -----
DIR5-1 Lock .. NG [X]
DIT2-1 -> DIR5-1 Subcode.. NG [XXXX. XXXX. XXXX. XXXX. XXXX. XXXX. XXXX. XXXX]
DIT2-1 -> DIR5-1 Signal.. NG [XXXX. XXXX. XXXX. XXXX. XXXX]
----- Test of MY Slot-2 -----
Card Detect .. OK [MY8-AE]
Status (Lock/Hold) .. NG [XXXX]
Audio Line .. NG [XXXX. XXXX]

diag>
```

5-2. Individual checks

Inspections of the following items are performed.

No.	Individual commands	Description	Notes
1	System	Checks the SDRAM, SRAM, Battery	
2	LEDs	Tests that LEDs come on. Visually confirm that the LEDs come on in the predetermined sequence.	Must be confirmed visually.
3	Drive	Checks the internal Card, CD-ROM Drive, PCMCIA Slot	
4	DSP6	Checks the DSP6 and DRAM.	
5	CNV	Checks access to the CNV circuit board.	Automatically determines the number of CNV circuit boards. Makes two checks if there is a DB-SREV1
6	AES	Checks AES/EBU IN/OUT	
7	my8	Checks the miniYGDAL slot.	Insert two MY cards. Automatically determines the type of the MY cards.

5-2-1. sys

In the FlashROM and SDRAM program section, operation is normal if the test program starts.

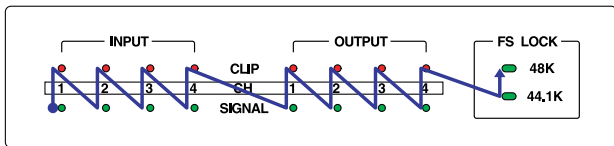
Checks the SDRAM coefficient buffer range, backup RAM (SRAM) and battery.

Inspection items	Check these areas if NG
SDRAM (Data Bus)	SDRAM (IC111, IC112), IC110
SDRAM (Addr Bus)	SDRAM (IC111, IC112), IC110
Backup RAM (Data Bus)	SRAM (IC108, IC109)
Backup RAM (Addr Bus)	SRAM (IC108, IC109)
Battery	BT101, IC103

5-2-2. led

The LEDs will come on in the sequence shown below. Visually check that they come on as indicated.

Inspection items	Notes
All LEDs	All LEDs come on for 1 second.
Each LED	The LEDs come on one at a time in 0.3 second intervals. The sequence for the LEDs to come on is shown in the figure below. Two cycles are performed.
All LEDs Blink	All LEDs blink for 3 seconds.



5-2-3. drive

Checks the internal Card, CD-ROM Drive, PCMCIA Slot

Insert the CD-ROM disk included in the package for the product in the CD-ROM drive.

Insert the PC ATA card for inspection into the PCMCIA slot.

Inspection items	Check these areas if NG
A: Internal CF Card	CF101, IC113, IC117, IC123, IC137, IC138
B: CD-ROM Drive	CD-ROM circuit board, CD-ROM Drive, CN109, CN110, IC113, IC117, IC123, IC137, IC138
C: PCMCIA Slot	PCMM circuit board, IC117, IC121, IC127, IC128, IC129, IC130, IC132, IC135, IC136, IC139

A: Internal CF Card, B: If both of the CD-ROM drives are NG, remove the FPC cable for CN109 and CN110. and reinspect the internal CF card.

5-2-4. dsp6

Checks the DSP6 and DRAM.

Inspection items	Check these areas if NG
CPU Interface (Data Bus)	[oX] IC159 [Xo] IC143 [XX] IC113, IC177, IC178, IC143, IC159
CPU Interface (Data Bus)	[oX] IC159 [Xo] IC143 [XX] IC113, IC169
CPU Interface (CS, TXB)	[oX] IC159 [Xo] IC143 [XX] IC113, IC179
CPU Interface (Addr Bus)	[oX] IC159 [Xo] IC143 [XX] IC113, IC179

Inspection items	Check these areas if NG
CPU Interface (BWR/BRR)	[oX] IC159 [Xo] IC143 [XX] IC153, IC154, IC159
DRAM Interface (Data Bus)	[oX] IC153, IC154, IC159 [Xo] IC140, IC141, IC143
DRAM Interface (Addr Bus)	[oX] IC153, IC154, IC159 [Xo] IC140, IC141, IC143
DRAM Interface (MPR)	[oX] IC159 [Xo] IC143
PIO Connection	IC159, IC143

If all the items are NG, check the system clock (60 MHz): X104

If all of the DRAM items are NG, check 128Fs, Sync.: IC165

5-2-5. cnv

Checks the CNV circuit boards.

Inspection items	Check these areas if NG
CPU Interface (Data Bus)	IC160, IC161, IC162, IC163, IC170, IC171
CPU Interface (Addr Bus)	IC164, IC170, IC171
CPU Interface (IRQ)	IC301
Data1 (Pulse <- Rand)	IC168, IC170
Coef2 (Linear <- Pulse)	IC168, IC170

Since DSP6 is used for inspecting Data1 and Coef, make sure that the DSP6 has passed its test before proceeding.

5-2-6. aes

Checks AES/EBU IN/OUT

Inspection items	Check these areas if NG
DIR5-1 Micon Interface	IC113, IC145, IC146, IC150, IC156, IC157, IC158, IC162
DIR5-1 Lock	IC142, IC150
DIT2-1 -> DIR5-1 Subcode	IC113, IC142, IC148, IC157, IC158, IC162
DIT2-1 -> DIR5-1 Signal	IC142, IC148
DIR5-2 Micon Interface	IC113, IC145, IC146, IC151, IC156, IC157, IC158, IC162
DIR5-1 Lock	IC142, IC151
DIT2-2 -> DIR5-2 Subcode	IC113, IC142, IC149, IC157, IC158, IC162
DIT2-2 -> DIR5-2 Signal	IC142, IC149

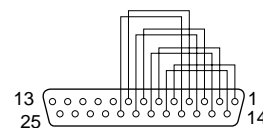
5-2-7. my8

Checks the miniYGDAl slot.

Automatically identifies the MY cards in the slot. If the cards are MY-8AE, MY8-AT, MY8-TD, the following checks are performed. Only card identification is performed for all other cards. There is a need to loop back MY-8AE, MY8-AT, MY8-TD cards.

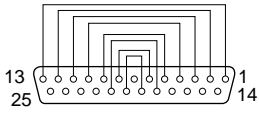
Inspection items	Check these areas if NG
Card Detect	IC113, IC155, IC157, IC158
Status (Lock/Hold)	IC160, IC165, IC167
Audio Line	IC166, IC172

MY8-AE



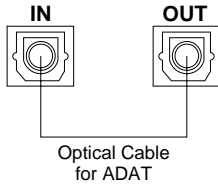
- 1 - 5 INPUT1/2 Hot - OUTPUT1/2 Hot
- 14 - 18 INPUT1/2 Cold - OUTPUT1/2 Cold
- 2 - 6 INPUT3/4 Hot - OUTPUT3/4 Hot
- 15 - 19 INPUT3/4 Cold - OUTPUT3/4 Cold
- 3 - 7 INPUT5/6 Hot - OUTPUT5/6 Hot
- 16 - 20 INPUT5/6 Cold - OUTPUT5/6 Cold
- 4 - 8 INPUT7/8 Hot - OUTPUT7/8 Hot
- 17 - 21 INPUT7/8 Cold - OUTPUT7/8 Cold
- 10, 12, 13, 21, 22, 23, 24, 25 GND
- 9, 11 OPEN

MY8-TD



- 1 - 13 DO1.2 - DI1.2
- 2 - 12 DO3.4 - DI3.4
- 3 - 11 DO5.6 - DI5.6
- 4 - 10 DO7.8 - DI7.8
- 5 - 9 LRCKO - LRCKI
- 18 - 21 EMPO - EMPI
- 6 - 8 FS00 - FS0I
- 19 - 20 FS10 - FS1I
- 7, 14, 15, 16, 17, 22, 23, 24, 25 GND

MY8-AE



6-2. Upgrading RC-SREV1

SREV1 application file "srev1.bin" there is a execution module for RC-SREV1. When RC-SREV1 and SREV1 are connected and the version of RC-SREV1 is not compatible with the version of SREV1, the following message will appear on the screen for RC-SREV1.

**VERSION MISMATCH
PUSH ANY KEY TO DOWNLOAD**

Push any key to start the download from SREV1 to RC-SREV1 to perform the upgrade .It takes approximately 3.5 minutes from the time the key is pushed until the upgrade is completed. Once completed, RC-SREV1 will automatically reboot.

6. Upgrading

6-1. Upgrading SREV1 (using a PCMCIA card)

- (1) Start up SREV1 in the normal manner.
- (2) Insert the PC Card with the new version of the application version "srev1.bin" in it into the PCMCIA slot.
- (3) Connect the [SERIAL-1] terminal and the RS-232C terminal on the PC.
- (4) Use the PC to start "TeraTerm".
- (5) Select "File" → "Send file" from the "TeraTerm menu".
- (6) Select "pcmcia_update.bin" from the "TeraTerm: Send file" dialog box.
- (7) Check the option for binary in the "TeraTerm: Send file" dialog box.
- (8) Click the "Open" button in the "TeraTerm: Send file" dialog box.

Then, the "TeraTerm: Send file" dialog box closes, and then the following message will appear to shown that the version has been upgraded. It takes approximately 15 seconds to perform the upgrade.

Once the upgrade has been completed, the system will automatically reboot.

```
Version up from PCMCIA
delete a:srev1.bin.bak
rename a:srev1.bin a:srev1.bin.bak
copy c:srev1.bin a:srev1.bin
done.
Reboot SREV1
* tp
```

*) Download "srev1.bin" and "pcmcia_update.bin" from the YSISS home page and save in the PC card.

*) The contents of pcmcia_update.bin are as shown below.
F0 43 74 1E 07 11 00 00 7F 00 00 00 70 F7 (Binary Data 14bytes)

*) If there is absolutely no response from SREV1, the problem is with the connection.
Check the cables and other connections.

■ ERROR MESSAGES

Message	Reason	Solution
VERSION MISMATCH. PUSH ANY KEY TO DOWNLOAD.	The software versions of the SREV1 and RC-SREV1 do not match.	Press any button to download the necessary software from the SREV1 to the RC-SREV1 in order to match the software versions.
COMMUNICATION TIMEOUT.	Communication with the SREV1 failed.	Turn off both the SREV1 and RC-SREV1 and check the remote cable connections, also check for breaks in the cable.
WRITE PROTECTED.	A write protected Quick memory, program, or project was selected.	Turn off the protection in order to store or edit the title. The CD-ROM is always write protected.
INSERT MEDIA.	No media inserted.	Insert the necessary media. Note that it takes the SREV1 between 20 and 30 seconds to recognize CD-ROMs.
TITLE IS EMPTY!	No title has been entered or only spaces.	Enter some characters for the title.
!!! LOW BATTERY !!!	The SREV1's internal backup battery is getting low.	Ask your Yamaha dealer to change the battery as soon as possible.
!!! NO BATTERY !!! RESTORED FROM BACKUP.	The SREV1's internal backup battery is flat and the contents of the battery-backed memory were lost. The contents were restored from the backup file on the Internal card.	Ask your Yamaha dealer to change the battery as soon as possible.
DATA FILE NOT FOUND! INSERT PCMCIA CARD.	When the SREV1 was restarted, the Reverb mode changed, or a project loaded, the programs were loaded from the PC Card but the necessary impulse-response data could not be found.	Insert the PC Card containing the necessary impulse-response data.
DATA FILE NOT FOUND! INSERT CD-ROM DISC.	When the SREV1 was restarted, the Reverb mode changed, or a project loaded, the programs were loaded from the CD-ROM but the necessary impulse-response data could not be found.	Insert the CD-ROM containing the necessary impulse-response data.
EMPTY DATA! SOME DATA ISN'T LOADED. CAN'T SAVE THIS PROGRAM.	The impulse-response data for the program was not loaded.	Load the necessary impulse-response data, or load the program again.
NO SUFFICIENT SPACE! CAN'T SAVE THIS PROGRAM.	The program cannot be stored due to lack of space on the PC Card or Internal card.	Insert another PC Card, or delete some unnecessary programs in order to free some space.
DESTINATION WRITE PROTECTED!	You tried to edit the title of a program or project on the Library page, but the destination file is write protected.	Use another title, or turn off the write protection.
COULD NOT COMMUNICATE WITH SREV1. CHECK THE CABLE CONNECTION AND SREV1'S POWER, THEN TURN ON RC-SREV1 AGAIN.	Communication between the SREV1 and RC-SREV1 failed during startup.	If the RC-SREV1 is powered by an optional AC adapter, make sure that the SREV1 is turned on. Turn off both the SREV1 and RC-SREV1 and check the remote cable connections, also check for breaks in the cable.

Confirmation Messages

Message	Condition	Solution
CURRENT IS EDITED. RECALL PROGRAM OK?	Appears when you recall a program from the Quick memory page, but the current program contains unsaved changes.	To discard the current program's unsaved changes and recall the program, press OK. To cancel the operation, press CANCEL.
CURRENT IS EDITED, LOAD LIBRARY OK?	Appears when you recall a program from the Library page, but the current program contains unsaved changes.	To discard the current program's unsaved changes and load the program, press OK. To cancel the operation, press CANCEL.
SAME LIBRARY EXISTS! OVERWRITE OK?	Appears when you save the current program on the Library page, but a program with the same title already exists.	To save and overwrite the existing program, press OK. To cancel the operation, press CANCEL.
	Appears when you edit the title of the selected program on the Library page, but a program with the same title already exists.	To overwrite the existing program, press OK. To cancel the operation, press CANCEL.
DELETE LIBRARY OK?	Appears when you delete the selected program on the Library page.	Press OK to delete the selected program. To cancel the operation, press CANCEL.
CURRENT IS EDITED. LOAD PROJECT OK?	Appears when you recall a project from the Project page, but the current program contains unsaved changes.	To discard the current program's unsaved changes and load the project, press OK. To cancel the operation, press CANCEL.
SAME PROJECT EXISTS! OVERWRITE OK?	Appears when you save a project on the Project page, but a program with the same title already exists.	To save and overwrite the existing program, press OK. To cancel the operation, press CANCEL.
	Appears when you edit the title of the selected project on the Project page, but a program with the same title already exists.	To save and overwrite the existing program, press OK. To cancel the operation, press CANCEL.
DELETE PROJECT OK?	Appears when you delete the selected project on the Project page.	Press OK to delete the selected program. To cancel the operation, press CANCEL.
LOAD DATA OK?	Appears when you load the selected impulse-response data from the Data Load page.	Press OK to load the selected impulse-response data. To cancel the operation, press CANCEL.
CHANGE REV MODE OK?	Appears when you select a different Reverb mode on the Setup page.	Press OK to switch to the Reverb mode. To cancel the operation, press CANCEL.

General Messages

Message	Meaning
INITIALIZING...	The RC-SREV1's internal information is being updated.
SETTING REV MODE...	The Reverb mode is being changed.
RECALLING PROGRAM...	A Quick memory program is being recalled on the Program page.
STORING PROGRAM...	The current program is being stored to the selected Quick memory.
LOADING LIBRARY...	The selected program is being loaded on the Library page.
SAVING LIBRARY...	The current program is being saved on the Library page.
CHANGING TITLE...	The title of the selected program is being changed on the Library page.
DELETING LIBRARY...	The selected program is being deleted on the Library page.
CHANGING PROTECT MODE...	The protection setting of the selected program is being changed on the Library page.
DOWNLOADING FILE LIST...	The program list is being downloaded from the selected drive on the Library page.
LOADING DATA...	The selected impulse-response data is being loaded on the Data Load page.
DOWNLOADING FILE LIST...	The impulse-response data list is being downloaded from the selected drive on the Library page.
LOADING PROJECT...	The selected project is being loaded on the Project page.
SAVING PROJECT...	The selected project is being saved on the Project page.
CHANGING TITLE...	The title of the selected project is being changed on the Project page.
DELETING PROJECT...	The selected project is being deleted on the Project page.
CHANGING PROTECT MODE...	The protection setting of the selected project is being changed on the Project page.
DOWNLOADING FILE LIST...	The project list is being downloaded from the selected drive on the Project page.

■ MIDI IMPLEMENTATION CHART

[Sampling Reverberator]

Date :1 Oct 2000

Model: SREV1

MIDI Implementation Chart

Version : 1.0

Function...	Transmitted	Recognized	Remarks
Basic Default Channel Changed	1 - 16 1 - 16	1 - 16 1 - 16	Memorized
Mode Default Messages Altered	x x *****	OMNI OFF/OMNI ON x x	Memorized
Note Number: True voice	x *****	x x	
Velocity Note ON Note OFF	x x	x x	
After Key's Touch Ch's	x x	x x	
Pitch Bend	x	x	
Control Change 0-95	x	o	Assignable
Prog x Change: True #	x *****	x x	Assignable
System Exclusive	x	x	Parameter Change
System : Song Pos. Common : Song Sel. : Tune	x x x	x x x	
System : Clock Real Time: Commands	x x	x x	
Aux :Local ON/OFF Mes- :All Notes OFF sages :Active Sens :Reset	x x x x	x x x x	
Notes			

Mode 1 : OMNI ON , POLY Mode 2 : OMNI ON , MONO o : Yes
 Mode 3 : OMNI OFF, POLY Mode 4 : OMNI OFF, MONO x : No

SAMPLING REVERBERATOR

SREV1

PARTS LIST


■ CONTENTS

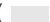
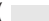
OVERALL ASSEMBLY.....	2
DB-SREV1 (Option).....	4
ELECTRICAL PARTS	5-11

Notes: DESTINATION ABBREVIATIONS

A: Australian model	M: South African model
B: British model	O: Chinese model
C: Canadian model	Q: South-east Asia model
D: German model	T: Taiwan model
E: European model	U: U.S.A. model
F: French model	V: General export model (110 V)
H: North European model	W: General export model (220 V)
I : Indonesian model	N,X: General export model
J: Japanese model	Y: Export model

■ WARNING

Components having special characteristics are marked  and must be replaced with parts having specification equal to those originally installed.

- The numbers in “QTY” show quantities for each unit.
- The parts with “- -” in “PART NO.” are not available as spare parts.
- The mark “}” in the remarks column indicates that these parts are interchangeable.
- The second letter of the shaded () part number is O, not zero.
- The second letter of the shaded () part number is I, not one.

REF.NO.	PART NO.	DESCRIPTION		REMARKS	QTY	RANK
		OVERALL ASSEMBLY		SREV1		
	--	Overall Assembly		J (V651940)		
	--	Overall Assembly		U,V (V651950)		
	--	Overall Assembly		H,B,W (V651960)		
	CB069250	Cord Holder	BK-1		8	01
	CB095100	Holder, Cord	K-103G		2	01
	CB836200	Cord Binder	S-70B			02
* 10	V6523400	Rear Panel		J		
* 10	V6523500	Rear Panel		U,V		
* 10	V6523600	Rear Panel		H,B,W		
* 20	V6521200	Side Panel	LEFT			
30	VC688800	Bind Head Tapping Screw-B	A4.0X8 MFZN2BL		2	01
* 40	V6521300	Side Panel	RIGHT			
△* 50	V6513400	Power Supply Unit	YSW01-U	J,U,V		
△* 50	V6513500	Power Supply Unit	YSW01-H	H,B,W		
60	VP156800	Bind Head Screw	A4.0X8 MFZN2BL		6	01
70	VC688800	Bind Head Tapping Screw-B	A4.0X8 MFZN2BL		2	01
80	--	Stay		(V652150)		
90	VC688800	Bind Head Tapping Screw-B	A4.0X8 MFZN2BL		4	01
* 100	V6521800	OPT Angle				
110	--	Circuit Board	SUB	J,U,V (V587920)		
110	--	Circuit Board	SUB	H,B,W (V668460)		
* 110a	AAX20980	Circuit Board	SUB 1/4	J,U,V		
* 110a	AAX20990	Circuit Board	SUB 1/4	H,B,W		
* 110b	AAX21000	Circuit Board	SUB 2/4			
* 110c	AAX21010	Circuit Board	SUB 3/4			
* 110d	AAX21020	Circuit Board	SUB 4/4			
120	EP600190	Bind Head Tapping Screw-B	3.0X8 MFZN2BL		2	01
125	EP600190	Bind Head Tapping Screw-B	3.0X8 MFZN2BL		2	01
130	VC688800	Bind Head Tapping Screw-B	A4.0X8 MFZN2BL		4	01
△* 140	XY916A00	Power Transformer		J		
△* 140	XY917A00	Power Transformer	UL CSA	U,V		
△* 140	XY918A00	Power Transformer	CEE	H,B,W		
150	VC688800	Bind Head Tapping Screw-B	A4.0X8 MFZN2BL		4	01
160	V3125300	Fan	MMS-06E12DL			08
170	VN003900	Finger Guard	FG-06ULB			05
180	VM964700	Fan Support Metal				09
190	VR116500	Bind Head Screw	SP 4.0X25 MFZN2BL		4	01
200	V5789100	DC Fan Motor	DC KDE1208PTS3-6			09
210	VK949100	Fan Guard	FG-08UL PDR-601			06
* 220	V6444900	Fan Guide			2	
230	VR116500	Pan Head Screw	SP 4.0X20 MFZN2BL		4	01
* 240	V6512600	Connector Assembly	ACIN ASSY			
△ 240a	V5065200	AC Inlet	M1908-C 3P			03
240b	VC362700	Ferrite Core	FR25/15/12-1400L		2	04
250	EP600190	Bind Head Tapping Screw-B	3.0X8 MFZN2BL		2	01
260	EG340360	Bind Head Screw	4.0X8 MFZN2BL			01
270	CB069250	Cord Holder	BK-1			01
280	--	Circuit Board	CPU	(V587910)		
* 280a	AAX21030	Circuit Board	CPU			
* 280b	AAX21040	Circuit Board	PCM			
* 280c	AAX21050	Circuit Board	CD-ROM			
290	VT362500	Jack Socket	17L-003A3		2	01
300	VP156600	Bind Head Screw	A3.0X6 MFZN2BL		3	01
310	VP157000	Bind Head Tapping Screw-B	A3.0X8 MFZN2BL		8	01
315	EP630220	Bind Head Tapping Screw-P	3.0X8 MFZN2BL		2	01
320	VP156600	Bind Head Screw	A3.0X6 MFZN2BL			01
330	EP600190	Bind Head Tapping Screw-B	3.0X8 MFZN2BL		2	01
* 340	V5879000	Circuit Board	CNV			
350	VP156600	Bind Head Screw	A3.0X6 MFZN2BL		2	01
360	EP600190	Bind Head Tapping Screw-B	3.0X8 MFZN2BL		2	01
* 370	V6522400	Sub Chassis				
* 380	V6523100	Grille				
390	VN413300	Bonding Tapping Screw-B	3.0X8 MFZN2BL		6	01
410	EP600190	Bind Head Tapping Screw-B	3.0X8 MFZN2BL		2	01
430	VP156600	Bind Head Screw	A3.0X6 MFZN2BL		2	01
440	--	Connector Assembly	9P 300mm C&C 2mm	(VR79270)		
460	EP600190	Bind Head Tapping Screw-B	3.0X8 MFZN2BL		2	01
470	VC688800	Bind Head Tapping Screw-B	A4.0X8 MFZN2BL		8	01
480	--	CD Angle		(V652190)		

*: New Parts

RANK: Japan only

SREV1

REF.NO.	PART NO.	DESCRIPTION		REMARKS	QTY	RANK
* 490	V6700100	CD-ROM Drive	SR242S	CD-ROM		
* 500	V6881500	Pan Head Screw	2.0X2 MFZN2Y		4	
510	--	Angle Bracket, CN		(V735450)		
520	VP157000	Bind Head Tapping Screw-B	A3.0X8 MFZN2BL		2	01
530	VP157000	Bind Head Tapping Screw-B	A3.0X8 MFZN2BL		3	01
* 540	V6522300	Front Panel				
* 550	V6522800	Cover				
560	VL813000	Escutcheon, Power Switch				03
570	V6221000	Oval Head Screw	B4.0X10 MFZN2BL		6	01
580	VL812900	Power Switch Knob		POWER ON/OFF		03
* 590	V7447100	Mount Bracket			2	
600	V6221000	Oval Head Screw	B4.0X10 MFZN2BL		2	01
610	VS153600	Oval Head Screw	4.0X8 MFZN2BL		8	01
* 650	MFA30100	Cable	30P 100mm P=1.0		2	
* 660	MFA30100	Cable	30P 100mm P=1.0		2	
* 670	MFA25300	Cable	25P 300mm P=1.0		2	
* 680	MFA36080	Cable	36P 80mm P=1.0		2	
710	--	Connector Assembly	REM-PS ASSY VH-2P	(V651290)		
720	--	Connector Assembly	CPU-PS ASSY VH-4P	(V651300)		
730	--	Connector Assembly	YGDA-PS ASSY PH-4P	(V651310)		
740	--	Connector Assembly	CNV1-PS ASSY VH10P	(V651320)		
750	--	Connector Assembly	2P 500mm C&C 2mm	(VR78120)		
780	CB069250	Cord Holder	BK-1		2	01
* 800	V6522000	Bottom Cover				
810	CB806590	Leg Black	ABS		4	03
820	VR138400	Bind Head Tapping Screw-B	4.0X12 MFZN2BL		4	01
830	VC688800	Bind Head Tapping Screw-B	A4.0X8 MFZN2BL		12	01
* 840	V6522100	Top Cover				
850	VC688800	Bind Head Tapping Screw-B	A4.0X8 MFZN2BL		14	01
860	VZ678500	IF Plate			2	05
870	VP156900	Bind Head Screw	A4.0X12 MFZN2BL		4	01
880	EG340360	Bind Head Screw	4.0X8 MFZN2BL			01
900	VA039300	Label		U,V		03
920	--	Caution Label		U,V (V533510)	2	
		ACCESSORIES				09
△	V5800000	AC Cord	J 3P 15A	J		08
△	VB927800	AC Cord	CSA	U,V		08
△	VB928000	AC Cord	VDE	H,W		08
△*	V6190800	AC Cord	BS	B		
* 920	XZ449A00	Optical Disk	CD-ROM 650MB 12cm			
	--	Connector Assembly	CNV(Optional)-PS VH10P	(V651320)		

*: New Parts

RANK: Japan only

■ DB-SREV1 (Option)

REF.NO.	PART NO.	DESCRIPTION		REMARKS	QTY	RANK
	VP156600	DSP EXPANSION BOARD		DB-SREV1		
	EP600190	Bind Head Screw	A3.0X6 MFZN2BL		2	01
	MFA30140	Bind Head Tapping Screw-B	3.0X8 MFZN2BL		2	01
* 920	V5879000	Cable	30P 140mm P=1.0		2	
		Circuit Board	CNV			

*: New Parts

RANK: Japan only

ELECTRICAL PARTS

REF.NO.	PART NO.	DESCRIPTION		REMARKS	QTY	RANK
		ELECTRICAL PARTS		SREV1		
*	V5879000	Circuit Board	CNV	SREV1/DB-SREV1 (XY897B0)		
	--	Circuit Board	CPU	(V587910)(XY898B0)		
*	AAX21030	Circuit Board	CPU	(XY898B0)		
*	AAX21040	Circuit Board	PCM	(XY898B0)		
*	AAX21050	Circuit Board	CD-ROM	(XY898B0)		
	--	Circuit Board	SUB	J,U,V (V587920)(XY899B0)		
	--	Circuit Board	SUB	H,B,W (V668460)(XY899B0)		
*	AAX20980	Circuit Board	SUB 1/4	J,U,V (XY899B0)		
*	AAX20990	Circuit Board	SUB 1/4	H,B,W (XY899B0)		
*	AAX21000	Circuit Board	SUB 2/4	(XY899B0)		
*	AAX21010	Circuit Board	SUB 3/4	(XY899B0)		
*	AAX21020	Circuit Board	SUB 4/4	(XY899B0)		
*	V5879000	Circuit Board	CNV	SREV1/DB-SREV1 (XY897B0)		
C1	US135100	Ceramic Capacitor-F (chip)	0.1000 16V Z			01
-55	US135100	Ceramic Capacitor-F (chip)	0.1000 16V Z			01
C56	UR818470	Electrolytic Cap.	470.00 6.3V			01
C57	US135100	Ceramic Capacitor-F (chip)	0.1000 16V Z			01
C58	US135100	Ceramic Capacitor-F (chip)	0.1000 16V Z			01
C60	US135100	Ceramic Capacitor-F (chip)	0.1000 16V Z			01
C61	US135100	Ceramic Capacitor-F (chip)	0.1000 16V Z			01
C63	US135100	Ceramic Capacitor-F (chip)	0.1000 16V Z			01
-104	US135100	Ceramic Capacitor-F (chip)	0.1000 16V Z			01
C106	US135100	Ceramic Capacitor-F (chip)	0.1000 16V Z			01
C107	US135100	Ceramic Capacitor-F (chip)	0.1000 16V Z			01
C109	US135100	Ceramic Capacitor-F (chip)	0.1000 16V Z			01
C110	US135100	Ceramic Capacitor-F (chip)	0.1000 16V Z			01
C112	US135100	Ceramic Capacitor-F (chip)	0.1000 16V Z			01
C113	US135100	Ceramic Capacitor-F (chip)	0.1000 16V Z			01
C115	US135100	Ceramic Capacitor-F (chip)	0.1000 16V Z			01
-156	US135100	Ceramic Capacitor-F (chip)	0.1000 16V Z			01
C158	US135100	Ceramic Capacitor-F (chip)	0.1000 16V Z			01
C159	US135100	Ceramic Capacitor-F (chip)	0.1000 16V Z			01
C161	US135100	Ceramic Capacitor-F (chip)	0.1000 16V Z			01
C162	US135100	Ceramic Capacitor-F (chip)	0.1000 16V Z			01
C164	US135100	Ceramic Capacitor-F (chip)	0.1000 16V Z			01
C165	US135100	Ceramic Capacitor-F (chip)	0.1000 16V Z			01
C167	US135100	Ceramic Capacitor-F (chip)	0.1000 16V Z			01
-226	US135100	Ceramic Capacitor-F (chip)	0.1000 16V Z			01
C227	UR818470	Electrolytic Cap.	470.00 6.3V			01
-238	UR818470	Electrolytic Cap.	470.00 6.3V			01
C239	US135100	Ceramic Capacitor-F (chip)	0.1000 16V Z			01
-290	US135100	Ceramic Capacitor-F (chip)	0.1000 16V Z			01
C292	US135100	Ceramic Capacitor-F (chip)	0.1000 16V Z			01
C293	US135100	Ceramic Capacitor-F (chip)	0.1000 16V Z			01
C295	US135100	Ceramic Capacitor-F (chip)	0.1000 16V Z			01
C296	US135100	Ceramic Capacitor-F (chip)	0.1000 16V Z			01
C298	US135100	Ceramic Capacitor-F (chip)	0.1000 16V Z			01
C299	US135100	Ceramic Capacitor-F (chip)	0.1000 16V Z			01
C301	US135100	Ceramic Capacitor-F (chip)	0.1000 16V Z			01
-342	US135100	Ceramic Capacitor-F (chip)	0.1000 16V Z			01
C344	US135100	Ceramic Capacitor-F (chip)	0.1000 16V Z			01
C345	US135100	Ceramic Capacitor-F (chip)	0.1000 16V Z			01
C347	US135100	Ceramic Capacitor-F (chip)	0.1000 16V Z			01
C348	US135100	Ceramic Capacitor-F (chip)	0.1000 16V Z			01
C350	US135100	Ceramic Capacitor-F (chip)	0.1000 16V Z			01
C351	US135100	Ceramic Capacitor-F (chip)	0.1000 16V Z			01
C353	US135100	Ceramic Capacitor-F (chip)	0.1000 16V Z			01
-394	US135100	Ceramic Capacitor-F (chip)	0.1000 16V Z			01
C396	US135100	Ceramic Capacitor-F (chip)	0.1000 16V Z			01
C397	US135100	Ceramic Capacitor-F (chip)	0.1000 16V Z			01
C399	US135100	Ceramic Capacitor-F (chip)	0.1000 16V Z			01
C400	US135100	Ceramic Capacitor-F (chip)	0.1000 16V Z			01
C402	US135100	Ceramic Capacitor-F (chip)	0.1000 16V Z			01
C403	US135100	Ceramic Capacitor-F (chip)	0.1000 16V Z			01
C405	US135100	Ceramic Capacitor-F (chip)	0.1000 16V Z			01
-446	US135100	Ceramic Capacitor-F (chip)	0.1000 16V Z			01
CN1	LB932100	Base Post Connector	VH 10P TE			02
CN2	VT387400	Connector, FFC	52610 30P TE			05

*: New Parts

RANK: Japan only

REFNO.	PART NO.	DESCRIPTION		REMARKS	QTY	RANK
CN3	VT387400	Connector, FFC	52610 30P TE			05
* IC1	XW867A00	IC	YSS916-H	CNV3 DSP		14
* -16	XW867A00	IC	YSS916-H	CNV3 DSP		14
* IC17	XZ512A00	IC	HD74LVC540AT	BUFFER		03
* IC18	XV893A00	IC	TC74VHC139FT	DECODER		02
* IC19	XZ495A00	IC	TC74VHC138FT	DECODER		01
* -22	XZ495A00	IC	TC74VHC138FT	DECODER		01
IC23	XU797A00	IC	TC74VHC245FT	BUFFER		03
-34	XU797A00	IC	TC74VHC245FT	BUFFER		03
* IC35	XW867A00	IC	YSS916-H	CNV3 DSP		14
* -50	XW867A00	IC	YSS916-H	CNV3 DSP		14
K1	VC719300	Terminal Plate	P-424			01
K2	VC719300	Terminal Plate	P-424			01
R5	RD354100	Carbon Resistor (chip)	10 63M J			01
-12	RD354100	Carbon Resistor (chip)	10 63M J			01
R13	RD354330	Carbon Resistor (chip)	33 63M J			01
-16	RD354330	Carbon Resistor (chip)	33 63M J			01
R18	RD356200	Carbon Resistor (chip)	2.0K 63M J			01
-21	RD356200	Carbon Resistor (chip)	2.0K 63M J			01
R101	RD354330	Carbon Resistor (chip)	33 63M J			01
R102	RD354330	Carbon Resistor (chip)	33 63M J			01
R103	RD356470	Carbon Resistor (chip)	4.7K 63M J			01
R104	RD354100	Carbon Resistor (chip)	10 63M J			01
-107	RD354100	Carbon Resistor (chip)	10 63M J			01
R108	RD354330	Carbon Resistor (chip)	33 63M J			01
R109	RD354330	Carbon Resistor (chip)	33 63M J			01
R110	RD356200	Carbon Resistor (chip)	2.0K 63M J			01
-113	RD356200	Carbon Resistor (chip)	2.0K 63M J			01
RA1	RE047100	Resistor Array	10KX4			01
-16	RE047100	Resistor Array	10KX4			01
* X1	V5964800	Quartz Crystal Unit	60MHz DSO751SV			05
	--	Circuit Board	CPU	(V587910)(XY898B0)		
* AAX21030		Circuit Board	CPU	(XY898B0)		
* AAX21040		Circuit Board	PCM	(XY898B0)		
* AAX21050		Circuit Board	CD-ROM	(XY898B0)		
VB659000		Bind Head Screw	3.0X8 MFZN2BL		2	01
ES200030		Hexagonal Nut	#1 3.0 MFZN2BL		2	01
VH870600		LED Socket		MEMORY CARD		01
* BT101	V6696200	Lithium Battery	CR1/2 6.L-F1ST4			
C101	US135100	Ceramic Capacitor-F (chip)	0.1000 16V Z			01
C104	UR818470	Electrolytic Cap.	470.00 6.3V			01
C105	UR818470	Electrolytic Cap.	470.00 6.3V			01
C107	UR818470	Electrolytic Cap.	470.00 6.3V			01
C108	UR818470	Electrolytic Cap.	470.00 6.3V			01
C110	UR818470	Electrolytic Cap.	470.00 6.3V			01
C111	US135100	Ceramic Capacitor-F (chip)	0.1000 16V Z			01
C113	UR818470	Electrolytic Cap.	470.00 6.3V			01
C114	UR837220	Electrolytic Cap.	22.00 16.0V			01
C117	US135100	Ceramic Capacitor-F (chip)	0.1000 16V Z			01
-120	US135100	Ceramic Capacitor-F (chip)	0.1000 16V Z			01
C121	VV020600	Monolithic Ceramic Cap.	3.300 10V K			01
C122	US135100	Ceramic Capacitor-F (chip)	0.1000 16V Z			01
-124	US135100	Ceramic Capacitor-F (chip)	0.1000 16V Z			01
C126	US135100	Ceramic Capacitor-F (chip)	0.1000 16V Z			01
-133	US135100	Ceramic Capacitor-F (chip)	0.1000 16V Z			01
C134	UR837220	Electrolytic Cap.	22.00 16.0V			01
C135	US062470	Ceramic Capacitor-SL(chip)	470P 50V J			01
C136	US062470	Ceramic Capacitor-SL(chip)	470P 50V J			01
C137	US135100	Ceramic Capacitor-F (chip)	0.1000 16V Z			01
-144	US135100	Ceramic Capacitor-F (chip)	0.1000 16V Z			01
C145	UR837220	Electrolytic Cap.	22.00 16.0V			01
C146	UR837220	Electrolytic Cap.	22.00 16.0V			01
C147	US135100	Ceramic Capacitor-F (chip)	0.1000 16V Z			01
-150	US135100	Ceramic Capacitor-F (chip)	0.1000 16V Z			01
C155	US135100	Ceramic Capacitor-F (chip)	0.1000 16V Z			01
C156	US135100	Ceramic Capacitor-F (chip)	0.1000 16V Z			01
C163	US135100	Ceramic Capacitor-F (chip)	0.1000 16V Z			01
-165	US135100	Ceramic Capacitor-F (chip)	0.1000 16V Z			01
C166	VV020600	Monolithic Ceramic Cap.	3.300 10V K			01

*: New Parts

RANK: Japan only

REF.NO.	PART NO.	DESCRIPTION		REMARKS	QTY	RANK
C167	VV020600	Monolithic Ceramic Cap.	3.300 10V K			01
C168	US035100	Ceramic Capacitor-B (chip)	0.1000 16V K			01
-182	US135100	Ceramic Capacitor-F (chip)	0.1000 16V Z			01
C183	UR837220	Electrolytic Cap.	22.00 16.0V			01
C184	US135100	Ceramic Capacitor-F (chip)	0.1000 16V Z			01
C185	US135100	Ceramic Capacitor-F (chip)	0.1000 16V Z			01
C186	UR837220	Electrolytic Cap.	22.00 16.0V			01
C187	US135100	Ceramic Capacitor-F (chip)	0.1000 16V Z			01
-197	US135100	Ceramic Capacitor-F (chip)	0.1000 16V Z			01
C198	US035100	Ceramic Capacitor-B (chip)	0.1000 16V K			01
-201	US035100	Ceramic Capacitor-B (chip)	0.1000 16V K			01
C202	US062100	Ceramic Capacitor-SL(chip)	100P 50V J			01
C203	US035100	Ceramic Capacitor-B (chip)	0.1000 16V K			01
-206	US035100	Ceramic Capacitor-B (chip)	0.1000 16V K			01
C207	US135100	Ceramic Capacitor-F (chip)	0.1000 16V Z			01
-209	US135100	Ceramic Capacitor-F (chip)	0.1000 16V Z			01
C210	US035100	Ceramic Capacitor-B (chip)	0.1000 16V K			01
C211	US135100	Ceramic Capacitor-F (chip)	0.1000 16V Z			01
-215	US135100	Ceramic Capacitor-F (chip)	0.1000 16V Z			01
C216	UR837100	Electrolytic Cap.	10.00 16.0V			01
C217	UR837100	Electrolytic Cap.	10.00 16.0V			01
C218	US135100	Ceramic Capacitor-F (chip)	0.1000 16V Z			01
-221	US135100	Ceramic Capacitor-F (chip)	0.1000 16V Z			01
C222	VI230900	Monolithic Ceramic Cap.	B 4700P 50V J			01
C223	VI230900	Monolithic Ceramic Cap.	B 4700P 50V J			01
C224	US135100	Ceramic Capacitor-F (chip)	0.1000 16V Z			01
-250	US135100	Ceramic Capacitor-F (chip)	0.1000 16V Z			01
C251	VR813300	Ceramic Capacitor-B (chip)	0.22 16V K			01
C252	US135100	Ceramic Capacitor-F (chip)	0.1000 16V Z			01
C253	UR837220	Electrolytic Cap.	22.00 16.0V			01
C254	US135100	Ceramic Capacitor-F (chip)	0.1000 16V Z			01
-276	US135100	Ceramic Capacitor-F (chip)	0.1000 16V Z			01
C301	US135100	Ceramic Capacitor-F (chip)	0.1000 16V Z			01
-303	US135100	Ceramic Capacitor-F (chip)	0.1000 16V Z			01
C304	UR866100	Electrolytic Cap.	1.00 50.0V			01
C305	US062330	Ceramic Capacitor-SL(chip)	330P 50V J			01
-308	US062330	Ceramic Capacitor-SL(chip)	330P 50V J			01
C309	US135100	Ceramic Capacitor-F (chip)	0.1000 16V Z			01
C310	US135100	Ceramic Capacitor-F (chip)	0.1000 16V Z			01
CF101	XZ504A00	CF Card	HB288032C5	CF CARD MEMORY		
CN101	LB933040	Base Post Connector	VH 4P SE			01
CN107	VB390100	Connector Base Post	PH 5P TE			01
* CN108	V6626700	Connector, Card	MI21A-50PD-SF	CF CARD		
* CN109	VY940100	Connector, FFC	52610 25P TE			
CN110	VB858200	Connector Base Post	PH 3P SE			01
* CN111	VY940100	Connector, FFC	52610 25P TE			
CN112	VB389900	Connector Base Post	PH 3P TE			01
CN113	VT387400	Connector, FFC	52610 30P TE			05
CN114	VT387400	Connector, FFC	52610 30P TE			05
CN115	LB933020	Base Post Connector	VH 2P SE			01
CN116	VY730000	Connector Socket	17LE 9P SE			04
CN117	VB390500	Connector Base Post	PH 9P TE			03
CN118	VT387400	Connector, FFC	52610 30P TE			05
CN119	VT387400	Connector, FFC	52610 30P TE			05
* CN120	V6592500	Connector, FFC	FMN 36P SE			
* CN121	V6592500	Connector, FFC	FMN 36P SE			
CN122	VT387400	Connector, FFC	52610 30P TE			05
CN123	VT387400	Connector, FFC	52610 30P TE			05
CN124	VB858100	Connector Base Post	PH 2P SE			01
CN301	VB390000	Connector Base Post	PH 4P TE			01
CN501	V4794000	Connector, PC CARD	IC1 68P SE	MEMORY CARD		09
CN502	VT387400	Connector, FFC	52610 30P TE			05
CN503	VT387400	Connector, FFC	52610 30P TE			05
* CN901	V4805400	Connector	KX14-50K5D1 50P TE			
* CN902	VY940100	Connector, FFC	52610 25P TE			
* CN903	VY940100	Connector, FFC	52610 25P TE			
D101	VT332900	Diode	1SS355 TE-17			01
-111	VT332900	Diode	1SS355 TE-17			01
D301	VT332900	Diode	1SS355 TE-17			01
D302	VT332900	Diode	1SS355 TE-17			01

*: New Parts

RANK: Japan only

REFNO.	PART NO.	DESCRIPTION		REMARKS	QTY	RANK
D304	VT332900	Diode	1SS355 TE-17			01
EM101	FZ006920	LC Filter	LS MT B271KB			01
-113	FZ006920	LC Filter	LS MT B271KB			01
* IC103	XY067A00	IC	MAX793SCSE	SYSTEM RESET		
IC104	XW818A00	IC	LT1117CST 1.25V	REGULATOR 1.25V		07
IC105	XY065A00	IC	SH7709A	CPU		14
* IC107	XZ562A00	IC	MBM29LV800BA-90PFT	FLASH ROM 8M		
* IC108	XY967A00	IC	CY62256VLL-70SNC	SRAM 256K		
* IC109	XY967A00	IC	CY62256VLL-70SNC	SRAM 256K		
* IC110	XY937A00	IC	CY2305	CLOCK BUFFER		
* IC111	XZ561A00	IC	TC59SM716AFT-80	SDRAM 128M		
* IC112	XZ561A00	IC	TC59SM716AFT-80	SDRAM 128M		
* IC113	XZ479A00	IC	EPM7032AETC44-10	FPGA		
IC114	XV833A00	IC	MBCG46183-129	SIO4		06
IC117	XM332A00	IC	TC74VHC04F EL	INVERTER		01
IC119	XT744A00	IC	TC74VHCT245AFT	BUFFER		07
IC120	XU797A00	IC	TC74VHC245FT	BUFFER		03
* IC121	XY945A00	IC	TC74VHC32FT	OR		
* IC122	XY068A00	IC	LM2664	REGULATOR		
IC123	XT744A00	IC	TC74VHCT245AFT	BUFFER		07
IC124	XU815A00	IC	DS26C32ATMX	LINE RECEIVER		06
IC125	XU073A00	IC	SN75C1168NSR	LINE DRIVER/RECEIVER		05
IC126	XL334A00	IC	MC26LS30DR2	LINE DRIVER		08
* IC127	XY907A00	IC	TC74LVXC3245FS	TRANSCEIVER		
* -131	XY907A00	IC	TC74LVXC3245FS	TRANSCEIVER		
* IC132	XY906A00	IC	TPS2211IDBR	PCMCIA POWER INTERFACE SW		
IC133	XT777A00	IC	TC74VHCT04AF	INVERTER		01
IC134	VR903700	Photo Coupler	HCPL-M600			04
IC135	XM182A00	IC	TC7S04F	INVERTER		01
IC136	XP351A00	IC	TC7S32FU	OR		01
IC137	XU229A00	IC	TC74LVX4245FS	TRANSCEIVER		04
IC138	XU229A00	IC	TC74LVX4245FS	TRANSCEIVER		04
* IC139	XV892A00	IC	TC74VHC74FT	D-FF		
IC140	XV932A00	IC	MSM5118160D-60J	DRAM 16M		12
IC141	XV932A00	IC	MSM5118160D-60J	DRAM 16M		12
IC142	XU073A00	IC	SN75C1168NSR	LINE DRIVER/RECEIVER		05
IC143	XV988A00	IC	YSS910-S	DSP6		10
IC144	XE737A00	IC	SN75124N	LINE RECEIVER		05
* IC145	XY057A00	IC	TC74VHCT126AFT	BUFFER		
* IC146	XY074A00	IC	TC74VHC125FT	BUFFER		
IC147	XP351A00	IC	TC7S32FU	OR		01
IC148	XM530A00	IC	YM3437C-F	DIT2		07
IC149	XM530A00	IC	YM3437C-F	DIT2		07
IC150	XW526A00	IC	YSD917-ME2	DIR5		
IC151	XW526A00	IC	YSD917-ME2	DIR5		
IC152	XP004A00	IC	TC7W04FU	INVERTER		02
IC153	XV932A00	IC	MSM5118160D-60J	DRAM 16M		12
IC154	XV932A00	IC	MSM5118160D-60J	DRAM 16M		12
IC155	XU797A00	IC	TC74VHC245FT	BUFFER		03
IC156	XU797A00	IC	TC74VHC245FT	BUFFER		03
* IC157	XV893A00	IC	TC74VHC139FT	DECODER		
* IC158	XY945A00	IC	TC74VHC32FT	OR		
IC159	XV988A00	IC	YSS910-S	DSP6		10
IC160	XQ968A00	IC	TC74HC251AF	MULTIPLEXER		03
* IC161	XY059A00	IC	TC74VHCT574AFT	D-FF		
* IC162	XY059A00	IC	TC74VHCT574AFT	D-FF		
* IC163	XY938A00	IC	TC74ACT174F	D-FF		
* IC164	XY938A00	IC	TC74ACT174F	D-FF		
IC165	XG948E00	IC	YM3436DK	DIR2		11
IC166	XT744A00	IC	TC74VHCT245AFT	BUFFER		07
-168	XT744A00	IC	TC74VHCT245AFT	BUFFER		07
* IC169	XV893A00	IC	TC74VHC139FT	DECODER		
IC170	XU797A00	IC	TC74VHC245FT	BUFFER		03
* IC171	XV893A00	IC	TC74VHC139FT	DECODER		
IC172	XT744A00	IC	TC74VHCT245AFT	BUFFER		07
-174	XT744A00	IC	TC74VHCT245AFT	BUFFER		07
IC175	XU229A00	IC	TC74LVX4245FS	TRANSCEIVER		04
-178	XU229A00	IC	TC74LVX4245FS	TRANSCEIVER		04
IC179	XT744A00	IC	TC74VHCT245AFT	BUFFER		07
IC180	XU797A00	IC	TC74VHC245FT	BUFFER		03

*: New Parts

RANK: Japan only

REF.NO.	PART NO.	DESCRIPTION		REMARKS	QTY	RANK
-184	XU797A00	IC	TC74VHC245FT	BUFFER		03
IC301	XV891A00	IC	TC74VHC08FT	AND		01
* IC302	IS039300	IC	HD74LV393AFPEL	COUNTER		
J301	--	Jumper Wire	0.55	(VA078900)		
JK101	VN997100	DIN Connector	8P TCS7927	SERIAL 2		04
JK102	VN997100	DIN Connector	8P TCS7927	SERIAL 1		04
JK103	VK519000	DIN Connector	5P3 YKF51-50	MIDI IN/OUT		04
JK104	VS133800	XLM Connector	NC3FAH1-0	DIGITAL(AES/EBU) IN 1		04
JK105	VS133800	XLM Connector	NC3FAH1-0	DIGITAL(AES/EBU) IN 2		04
JK106	VS133700	XLM Connector	NC3MAH	DIGITAL(AES/EBU) OUT 1		04
JK107	VS133700	XLM Connector	NC3MAH	DIGITAL(AES/EBU) OUT 2		04
* JK108	V6415900	BNC Connector	1P YKS11-0067	WORDCLOCK IN		
K101	VC719300	Terminal Plate	P-424			01
K103	VB966900	Style Pin	IMSA-6024 L=35			01
K104	VB966900	Style Pin	IMSA-6024 L=35			01
K111	VT696400	Holder, Cannon Connector	PRO R3			04
K112	VT696400	Holder, Cannon Connector	PRO R3			04
K113	VS644300	Support, PCB	Y1E20-00			03
L101	VS740100	Chip Inductance	BLM21B751S 2125			03
-104	VS740100	Chip Inductance	BLM21B751S 2125			03
L105	VV493200	Noise Filter	ZJYS51R5-2PT			04
-108	VV493200	Noise Filter	ZJYS51R5-2PT			04
L109	VP246100	Pulse Transformer	P17H			07
-112	VP246100	Pulse Transformer	P17H			07
L113	VQ193600	Chip Solid Inductance	BLM21A121SPT			01
L114	VQ193600	Chip Solid Inductance	BLM21A121SPT			01
LD501	V5295900	LED	SLP-235B	MEMORY CARD		01
R103	RD255110	Carbon Resistor (chip)	110.0 0.1 J			01
R104	RD254470	Carbon Resistor (chip)	47.0 0.1 J			01
R107	RD356470	Carbon Resistor (chip)	4.7K 63M J			01
-114	RD356470	Carbon Resistor (chip)	4.7K 63M J			01
R115	RD354220	Carbon Resistor (chip)	22 63M J			01
R117	RD354220	Carbon Resistor (chip)	22 63M J			01
R118	RD354220	Carbon Resistor (chip)	22 63M J			01
R120	RD356470	Carbon Resistor (chip)	4.7K 63M J			01
-122	RD356470	Carbon Resistor (chip)	4.7K 63M J			01
R123	RD357220	Carbon Resistor (chip)	22K 63M J			01
R124	RD357220	Carbon Resistor (chip)	22K 63M J			01
R125	RD356470	Carbon Resistor (chip)	4.7K 63M J			01
R126	RD356470	Carbon Resistor (chip)	4.7K 63M J			01
R127	RD356100	Carbon Resistor (chip)	1.0K 63M J			01
R128	VC730400	Metal Oxide Film Resistor	47.0 1W J			01
R129	RD357100	Carbon Resistor (chip)	10K 63M J			01
R130	RD357100	Carbon Resistor (chip)	10K 63M J			01
R131	RD356100	Carbon Resistor (chip)	1.0K 63M J			01
R132	RD356100	Carbon Resistor (chip)	1.0K 63M J			01
R133	RD255150	Carbon Resistor (chip)	150.0 0.1 J			01
R134	RD254100	Carbon Resistor (chip)	10.0 0.1 J			01
R135	RD254100	Carbon Resistor (chip)	10.0 0.1 J			01
R136	VC731200	Metal Oxide Film Resistor	100.0 1W J			01
R137	RD357100	Carbon Resistor (chip)	10K 63M J			01
R138	RD357100	Carbon Resistor (chip)	10K 63M J			01
R139	RD254100	Carbon Resistor (chip)	10.0 0.1 J			01
R140	RD254100	Carbon Resistor (chip)	10.0 0.1 J			01
R141	RD255470	Carbon Resistor (chip)	470.0 0.1 J			01
R142	RD255470	Carbon Resistor (chip)	470.0 0.1 J			01
R143	RD254100	Carbon Resistor (chip)	10.0 0.1 J			01
R144	RD254100	Carbon Resistor (chip)	10.0 0.1 J			01
R145	RD255470	Carbon Resistor (chip)	470.0 0.1 J			01
R146	RD255470	Carbon Resistor (chip)	470.0 0.1 J			01
R147	RD356470	Carbon Resistor (chip)	4.7K 63M J			01
R148	RD255220	Carbon Resistor (chip)	220.0 0.1 J			01
-150	RD255220	Carbon Resistor (chip)	220.0 0.1 J			01
R151	RD353470	Carbon Resistor (chip)	4.7 63M J			01
R152	RD354750	Carbon Resistor (chip)	75 63M J			01
R153	RD254100	Carbon Resistor (chip)	10.0 0.1 J			01
R154	RD254100	Carbon Resistor (chip)	10.0 0.1 J			01
R155	RD255110	Carbon Resistor (chip)	110.0 0.1 J			01
R156	RD255110	Carbon Resistor (chip)	110.0 0.1 J			01
* R157	RD355300	Carbon Resistor (chip)	300 63M J			

*: New Parts

RANK: Japan only

REF NO.	PART NO.	DESCRIPTION		REMARKS	QTY	RANK
* -161	RD355300	Carbon Resistor (chip)	300 63M J			
R162	RD357100	Carbon Resistor (chip)	10K 63M J			01
-165	RD357100	Carbon Resistor (chip)	10K 63M J			01
R166	RD354330	Carbon Resistor (chip)	33 63M J			01
-170	RD354330	Carbon Resistor (chip)	33 63M J			01
R171	RD355820	Carbon Resistor (chip)	820 63M J			01
R172	RD355150	Carbon Resistor (chip)	150 63M J			01
R173	RD354100	Carbon Resistor (chip)	10 63M J			01
R174	RD257100	Carbon Resistor (chip)	10.0K 0.1 J			01
R175	RD257100	Carbon Resistor (chip)	10.0K 0.1 J			01
R176	RD256470	Carbon Resistor (chip)	4.7K 0.1 J			01
R177	RD256470	Carbon Resistor (chip)	4.7K 0.1 J			01
R178	RD357100	Carbon Resistor (chip)	10K 63M J			01
R179	RD355470	Carbon Resistor (chip)	470 63M J			01
R301	RD356470	Carbon Resistor (chip)	4.7K 63M J			01
R302	RD356470	Carbon Resistor (chip)	4.7K 63M J			01
R303	RD357100	Carbon Resistor (chip)	10K 63M J			01
R304	RD356430	Carbon Resistor (chip)	4.3K 63M J			01
R305	RD358100	Carbon Resistor (chip)	100K 63M J			01
R306	RD358100	Carbon Resistor (chip)	100K 63M J			01
R307	RD357100	Carbon Resistor (chip)	10K 63M J			01
R308	RD356150	Carbon Resistor (chip)	1.5K 63M J			01
R309	RD359100	Carbon Resistor (chip)	1.0M 63M J			01
R310	RD357100	Carbon Resistor (chip)	10K 63M J			01
R311	RD355330	Carbon Resistor (chip)	330 63M J			01
R312	RD354100	Carbon Resistor (chip)	10 63M J			01
R313	RD354100	Carbon Resistor (chip)	10 63M J			01
R314	RD355100	Carbon Resistor (chip)	100 63M J			01
-318	RD355100	Carbon Resistor (chip)	100 63M J			01
R319	RD357100	Carbon Resistor (chip)	10K 63M J			01
R320	RD357100	Carbon Resistor (chip)	10K 63M J			01
R321	RD354680	Carbon Resistor (chip)	68 63M J			01
-328	RD354680	Carbon Resistor (chip)	68 63M J			01
R329	RD354330	Carbon Resistor (chip)	33 63M J			01
-335	RD354330	Carbon Resistor (chip)	33 63M J			01
R336	RD354680	Carbon Resistor (chip)	68 63M J			01
-341	RD354680	Carbon Resistor (chip)	68 63M J			01
R343	RD357100	Carbon Resistor (chip)	10K 63M J			01
RA101	RE047100	Resistor Array	10KX4			01
-108	RE047100	Resistor Array	10KX4			01
RA109	RE046470	Resistor Array	4.7KX4			01
-111	RE046470	Resistor Array	4.7KX4			01
RA112	RE047100	Resistor Array	10KX4			01
-136	RE047100	Resistor Array	10KX4			01
RA137	RE046100	Resistor Array	1KX4			01
SW101	VR044000	Push Switch	SKQDAA	RESET		01
TR101	VU383400	Transistor Array	UMX1N (NPN+NPN)			01
TR102	VU383400	Transistor Array	UMX1N (NPN+NPN)			01
* X102	V6592600	Quartz Crystal Unit	8.0MHz DSO751SV			
* X103	V6592700	Quartz Crystal Unit	25.6MHz DSO751SB			
X104	VU800300	Quartz Crystal Unit	60.0MHz DOC-49S2			07
* X301	V6592800	Quartz Crystal Unit	6.144MHz DSO751SB			
	--	Circuit Board	SUB	J,U,V (V587920)(XY899B0)		
	--	Circuit Board	SUB	H,B,W (V668460)(XY899B0)		
*	AAX20980	Circuit Board	SUB 1/4	J,U,V (XY899B0)		
*	AAX20990	Circuit Board	SUB 1/4	H,B,W (XY899B0)		
*	AAX21000	Circuit Board	SUB 2/4	(XY899B0)		
*	AAX21010	Circuit Board	SUB 3/4	(XY899B0)		
*	AAX21020	Circuit Board	SUB 4/4	(XY899B0)		
	EG330290	Bind Head Screw	SP 3.0X8 MFZN2Y		4	01
	VP206500	Fuse Holder	EYF-52BC		10	01
	VH870600	LED Socket		POWER		01
C701	UR639470	Electrolytic Cap.	4700 16.0V			02
C702	UR639470	Electrolytic Cap.	4700 16.0V			02
C703	VR086500	Electrolytic Cap.	3300 35.0V			03
C704	VR086500	Electrolytic Cap.	3300 35.0V			03
C705	UR848220	Electrolytic Cap.	220.00 25.0V			01
-708	UR848220	Electrolytic Cap.	220.00 25.0V			01
C709	UR866100	Electrolytic Cap.	1.00 50.0V			01

*: New Parts

RANK: Japan only

	REF.NO.	PART NO.	DESCRIPTION		REMARKS	QTY	RANK
△	C801	VY675000	Capacitor	0.010 250V J.U.C.S			01
*	CN601	V2363600	Connector, FFC	FMN 36P TE			
*	CN602	V2363600	Connector, FFC	FMN 36P TE			
	CN603	VB858300	Connector Base Post	PH 4P SE			01
	CN604	VB858600	Connector Base Post	PH 7P SE			01
	CN605	VU328200	Plug	PHEC 100P TE	SLOT 2		05
	CN606	VU328200	Plug	PHEC 100P TE	SLOT 1		05
	CN701	LB932040	Base Post Connector	VH 4P TE			01
	CN702	LB932040	Base Post Connector	VH 4P TE			01
	CN703	VB390200	Connector Base Post	PH 6P TE			01
	CN704	VB390100	Connector Base Post	PH 5P TE			01
*	CN705	VY914700	Connector Assembly	7P 140mm B&C 2mm			
*	CN706	VQ613000	Connector Assembly	4P 450mm B&C 2mm			
	CN801	VB858800	Connector Base Post	PH 9P SE			01
	CN802	VB389800	Connector Base Post	PH 2P TE			01
	CN803	LB932030	Base Post Connector	VH 3P TE			01
	D601	V5454500	Diode	1FWJ43N			01
	D701	VF195600	Diode	11ES4 TA1			01
	-708	VF195600	Diode	11ES4 TA1			01
	D709	VD631600	Diode	1SS133,176,HSS104			01
	D710	VD631600	Diode	1SS133,176,HSS104			01
	DB701	VQ379300	Diode Stack	S1VB20 1.0A 200V			02
	DB702	VQ379300	Diode Stack	S1VB20 1.0A 200V			02
△	FZ701	KB003570	Fuse	2.00A JU	J,U,V		01
△	FZ702	KB003530	Fuse	1.00A 250V JU	J,U,V		01
△	-705	KB003530	Fuse	1.00A 250V JU	J,U,V		01
△	FZ701	KB003040	Fuse	1.00A S	H,B,W		01
△	-705	KB003040	Fuse	1.00A S	H,B,W		01
	IC701	XK309A00	IC	NJM7905FA	REGULATOR -5V		03
	IC702	XJ607A00	IC	NJM7805FA	REGULATOR +5V		02
	IC703	XD854A00	IC	NJM7915FA	REGULATOR -15V		03
	IC704	XD853A00	IC	NJM7815FA	REGULATOR +15V		03
*	K701	VF336100	Heat Sink				
*	-704	VF336100	Heat Sink				
	LD801	VV195400	LED	GL8EG22	INPUT SIGNAL CH1		
	LD802	VV195400	LED	GL8EG22	INPUT SIGNAL CH2		
	LD803	VV195400	LED	GL8EG22	INPUT SIGNAL CH3		
	LD804	VV195400	LED	GL8EG22	INPUT SIGNAL CH4		
	LD805	VV195400	LED	GL8EG22	OUTPUT SIGNAL CH1		
	LD806	VV195400	LED	GL8EG22	OUTPUT SIGNAL CH2		
	LD807	VV195400	LED	GL8EG22	OUTPUT SIGNAL CH3		
	LD808	VV195400	LED	GL8EG22	OUTPUT SIGNAL CH4		
	LD809	VV195400	LED	GL8EG22	FS LOCK 44.1K		
	LD810	V5295900	LED	SLP-235B	POWER		01
	LD811	VD118700	LED	GL8HD22	INPUT CLIP CH1		01
	LD812	VD118700	LED	GL8HD22	INPUT CLIP CH2		01
	LD813	VD118700	LED	GL8HD22	INPUT CLIP CH3		01
	LD814	VD118700	LED	GL8HD22	INPUT CLIP CH4		01
	LD815	VD118700	LED	GL8HD22	OUTPUT CLIP CH1		01
	LD816	VD118700	LED	GL8HD22	OUTPUT CLIP CH2		01
	LD817	VD118700	LED	GL8HD22	OUTPUT CLIP CH3		01
	LD818	VD118700	LED	GL8HD22	OUTPUT CLIP CH4		01
	LD819	VV195400	LED	GL8EG22	FS LOCK 48K		
△*	SW801	V7256400	Push Switch	SDDL B1	POWER ON/OFF		
△*		V6513400	Power Supply Unit	YSW01-U	J,U,V		
△*		V6513500	Power Supply Unit	YSW01-H	H,B,W		
△*		XY916A00	Power Transformer		J		
△*		XY917A00	Power Transformer	UL CSA	U,V		
△*		XY918A00	Power Transformer	CEE	H,B,W		
		V5789100	DC Fan Motor	DC KDE1208PTS3-6			09
		V3125300	Fan	MMS-06E12DL			08
△		V5065200	AC Inlet	M1908-C 3P			03
*		V6700100	CD-ROM Drive	SR242S	CD-ROM		

*: New Parts

RANK: Japan only

REMOTE CONTROLLER

RC-SREV1

SERVICE MANUAL



■ CONTENTS

SPECIFICATIONS	3
PANEL LAYOUT	4
BLOCK DIAGRAM	6
DIMENSIONS	7
CIRCUIT BOARD LAYOUT	8
DISASSEMBLY PROCEDURE	10
LSI PIN DESCRIPTION	13
IC BLOCK DIAGRAM.....	15
CIRCUIT BOARDS	17
TEST PROGRAM	22
UPGRADING RC-SREV1	25
PARTS LIST	

This document is printed on chlorine free (ECF) paper with soy ink.

IMPORTANT NOTICE

This manual has been provided for the use of authorized Yamaha Retailers and their service personnel. It has been assumed that basic service procedures inherent to the industry, and more specifically Yamaha Products, are already known and understood by the users, and have therefore not been restated.

WARNING: Failure to follow appropriate service and safety procedures when servicing this product may result in personal injury, destruction of expensive components and failure of the product to perform as specified. For these reasons, we advise all Yamaha product owners that all service required should be performed by an authorized Yamaha Retailer or the appointed service representative.

IMPORTANT: This presentation or sale of this manual to any individual or firm does not constitute authorization, certification, recognition of any applicable technical capabilities, or establish a principal-agent relationship of any form.

The data provided is believed to be accurate and applicable to the unit(s) indicated on the cover. The research engineering, and service departments of Yamaha are continually striving to improve Yamaha products. Modifications are, therefore, inevitable and changes in specification are subject to change without notice or obligation to retrofit. Should any discrepancy appear to exist, please contact the distributor's Service Division.

WARNING: Static discharges can destroy expensive components. Discharge any static electricity your body may have accumulated by grounding yourself to the ground bus in the unit (heavy gauge black wires connect to this bus).

IMPORTANT: Turn the unit OFF during disassembly and parts replacement. Recheck all work before you apply power to the unit.

WARNING: CHEMICAL CONTENT NOTICE!


The solder used in the production of this product contains LEAD. In addition, other electrical/electronic and/or plastic (where applicable) components may also contain traces of chemicals found by the California Health and Welfare Agency (and possibly other entities) to cause cancer and/or birth defects or other reproductive harm.

DO NOT PLACE SOLDER, ELECTRICAL/ELECTRONIC OR PLASTIC COMPONENTS IN YOUR MOUTH FOR ANY REASON WHAT SO EVER!

Avoid prolonged, unprotected contact between solder and your skin! When soldering, do not inhale solder fumes or expose eyes to solder/flux vapor!

If you come in contact with solder or components located inside the enclosure of this product, wash your hands before handling food.

■ WARNING

Components having special characteristics are marked  and must be replaced with parts having specification equal to those originally installed.

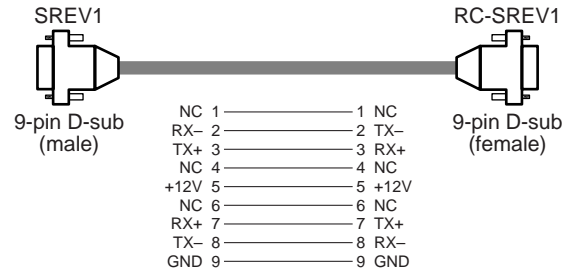
■ SPECIFICATIONS

Display		320 x 240 dot graphical LCD with fluorescent backlight and contrast and brightness controls
Controls	Control Surface	Data wheel 60 mm motorized fader x4
	Rear Panel	BRIGHT, CONT
Buttons	Control Surface	BYPASS, PROGRAM, PARAMETER MAIN, PARAMETER FINE, UTILITY, -1/DEC, +1/INC, CURSOR (◀/▶/▲/▼), ENTER
	Rear Panel	POWER switch
Indicators		BYPASS, INPUT CLIP x4, OUTPUT CLIP x4
Power requirements		12 V DC
Power consumption		7.2 W
Dimensions (W x H x D)		206 x 66.3 x 276.7 mm (8.1 x 2.6 x 10.9 inches)
Weight		2.05 kg (4.51 lbs)
Free-air operating temperature		0° C to 45° C (32° F to 113° F)
Supplied accessories		20 meter remote cable
Options		AC adapter (Yamaha PA-6)

Control I/O

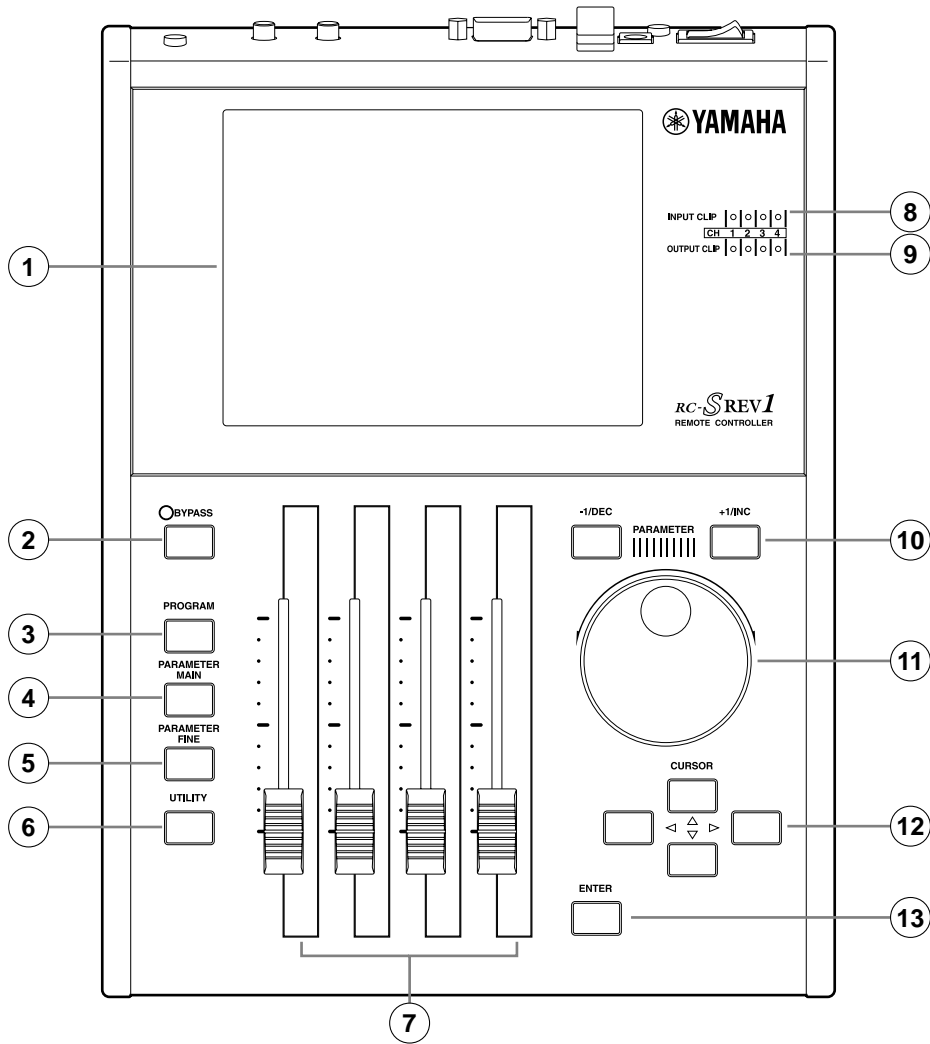
Connection	Format	Level	Connector
REMOTE	—	RS-422	9-pin D-sub (female)
DC 12V IN	—	12 V DC	2.1 mm mini power type

Remote Cable Wiring Diagram



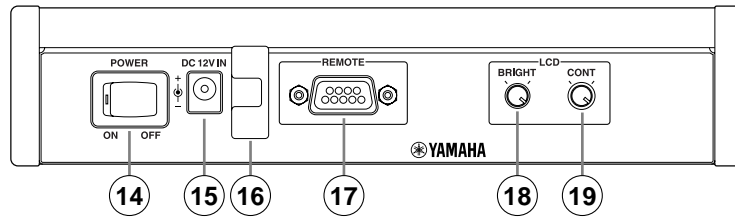
■ PANEL LAYOUT

● Top Panel



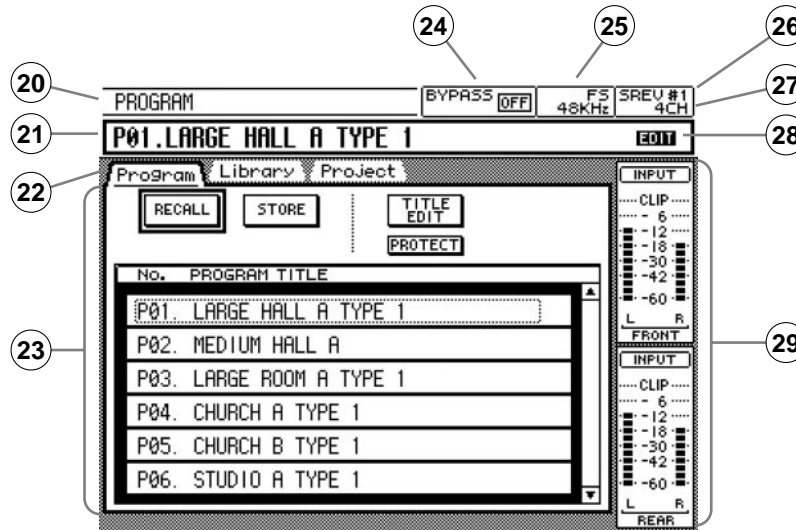
- ① Display
- ② BYPASS button & indicator
- ③ PROGRAM button
- ④ PARAMETER MAIN button
- ⑤ PARAMETER FINE button
- ⑥ UTILITY button
- ⑦ Motorized faders
- ⑧ INPUT CLIP indicators
- ⑨ OUTPUT CLIP indicators
- ⑩ -1/DEC & +1/INC buttons
- ⑪ DATA wheel
- ⑫ Cursor buttons (◀/▶/▲/▼)
- ⑬ ENTER button

● Rear Panel



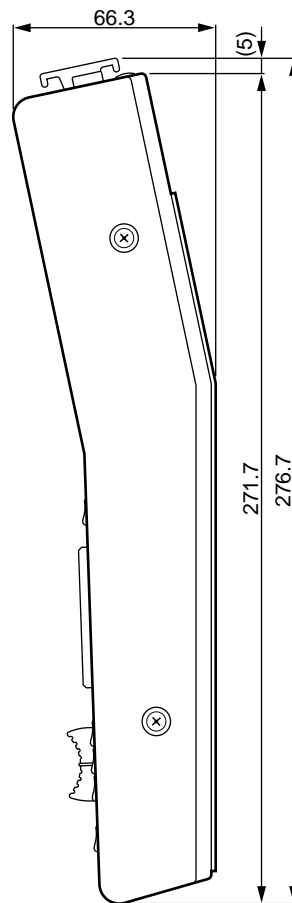
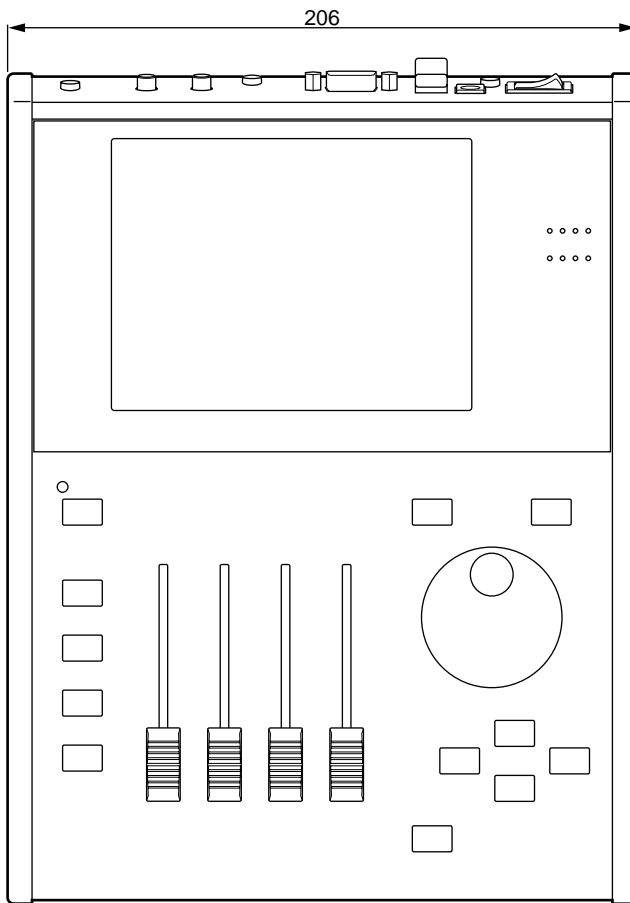
- ⑭ POWER switch
- ⑮ DC 12V IN connector
- ⑯ Adapter cable clip
- ⑰ REMOTE port
- ⑱ BRIGHT control
- ⑲ CONT control

● Display



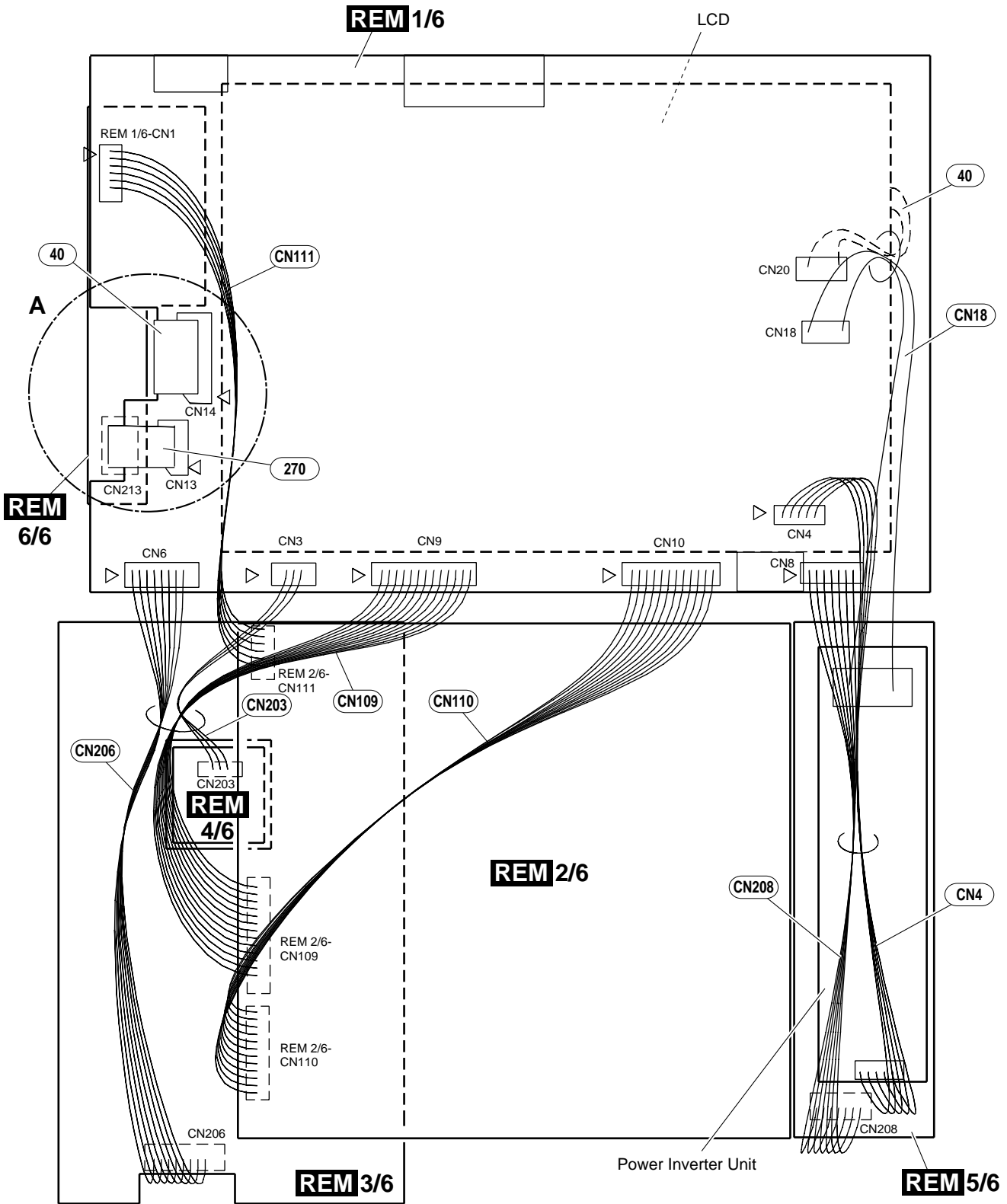
- ⑳ Page title
- ㉑ Program number & title
- ㉒ Page tabs
- ㉓ Main page area
- ㉔ Bypass status
- ㉕ FS status
- ㉖ Selected SREV1
- ㉗ Reverb mode
- ㉘ Edit status
- ㉙ Meters

■ DIMENSIONS



Unit: mm

■ CIRCUIT BOARD LAYOUT



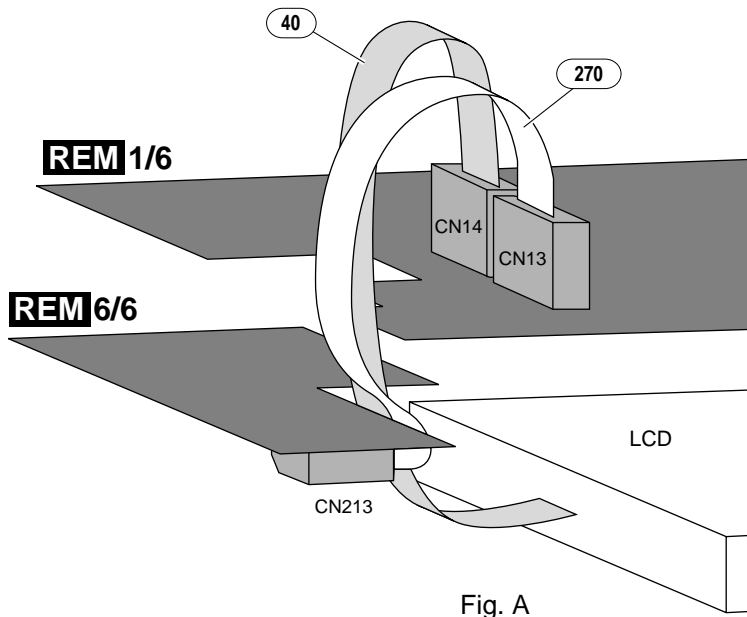


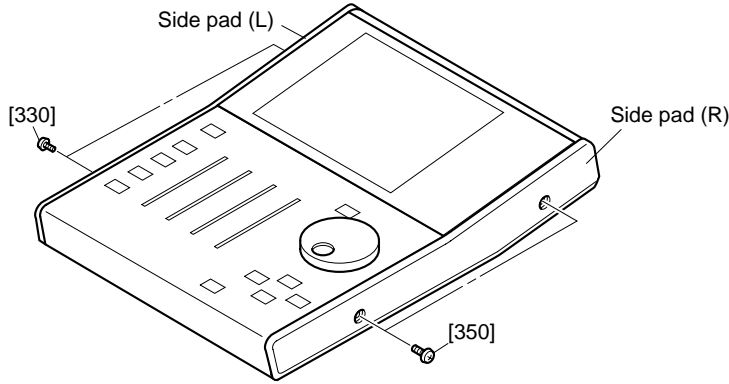
Fig. A

Location	Part No.	Connector Assembly	Destination		Remarks
40	V5605200	FFC	LCD	REM 1/6-CN14	12P
	(LCD)	XH	LCD	REM 1/6-CN20	2P
270	MF109100	FFC	REM 6/6-CN213	REM 1/6-CN13	9P
CN4	(V700120)	SAN&51021	REM 1/6-CN4	Power Inverter Unit	5P
CN18	(V700110)	SAN&BH	REM 1/6-CN18	Power Inverter Unit	2P
CN109	(V684060)	SAN&PH	REM 2/6-CN109	REM 1/6-CN9	13P
CN110	(V684140)	SAN&PH	REM 2/6-CN110	REM 1/6-CN10	12P
CN111	(V652810)	SAN&PH	REM 2/6-CN111	REM 1/6-CN11	6P
CN203	(VM85710)	SAN&PH	REM 4/6-CN203	REM 1/6-CN3	3P
CN206	(VP91350)	SAN&PH	REM 3/6-CN206	REM 1/6-CN6	8P
CN208	(VY91480)	SAN&PH	REM 5/6-CN208	REM 1/6-CN8	7P

■ DISASSEMBLY PROCEDURE

1. Side Pad (L), Side Pad (R) (Time required: about 3 minutes)

- 1-1 Remove the two (2) screws marked [330]. The left side pad can then be removed. (Fig. 1)
- 1-2 Remove the two (2) screws marked [350]. The right side pad can then be removed. (Fig. 1)



[330]: Bind Head Tapping Screw-B SP 3.0X10 MFZN2BL (VH741100) [350]: Bind Head Tapping Screw-B SP 3.0X10 MFZN2BL (VH741100)

Fig. 1

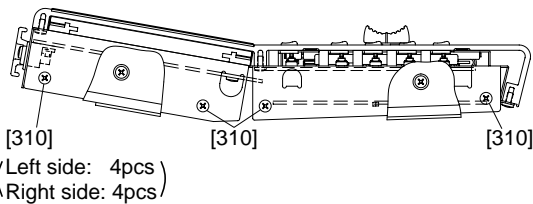
2. Bottom Cover (Time required: about 5 minutes)

- 2-1 Remove the left and right side pads. (See procedure 1.)
- 2-2 Remove the ten (10) screws marked [310]. The bottom cover can then be removed. (Fig. 2, 3, 4)

3. REM 1/6 Circuit Board, Power Inverter Unit

- 3-1 Remove the left and right side pads. (See procedure 1.)
- 3-2 Remove the bottom cover. (See procedure 2.)
- 3-3 REM 1/6 Circuit Board (Time required: about 10 minutes)
Remove the two (2) jack sockets marked [170], the screw marked [180], the screw marked [190] and the two (2) screws marked [200]. The REM 1/6 circuit board can then be removed. (Fig. 4, 5)
- 3-4 Power Inverter Unit (Time required: about 8 minutes)
Remove the two (2) screws marked [220]. The power inverter unit can then be removed. (Fig. 5)

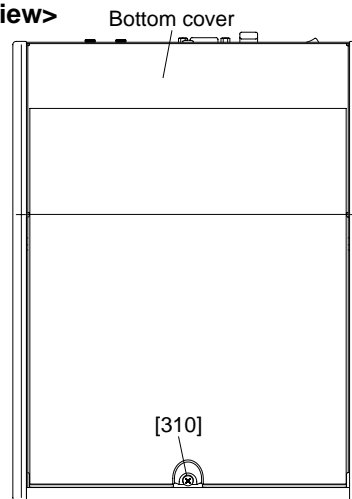
<Left Side View>



[310]: Bind Head Tapping Screw-B 3.0X8 MFZN2BL (EP600190)

Fig. 2

<Bottom View>



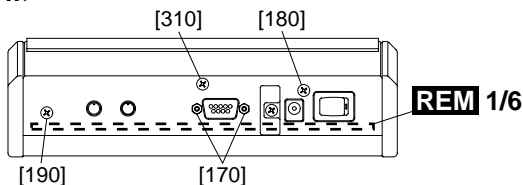
[310]: Bind Head Tapping Screw-B 3.0X8 MFZN2BL (EP600190)

Fig. 3

4. REM 6/6 Circuit Board
(Time required: about 10 minutes)

- 4-1 Remove the left and right side pads. (See procedure 1.)
- 4-2 Remove the bottom cover. (See procedure 2.)
- 4-3 Remove the REM 1/6 circuit board. (See procedure 3-3.)
- 4-4 Remove the two (2) screws marked [70]. The REM 6/6 circuit board can then be removed. (Fig. 5)

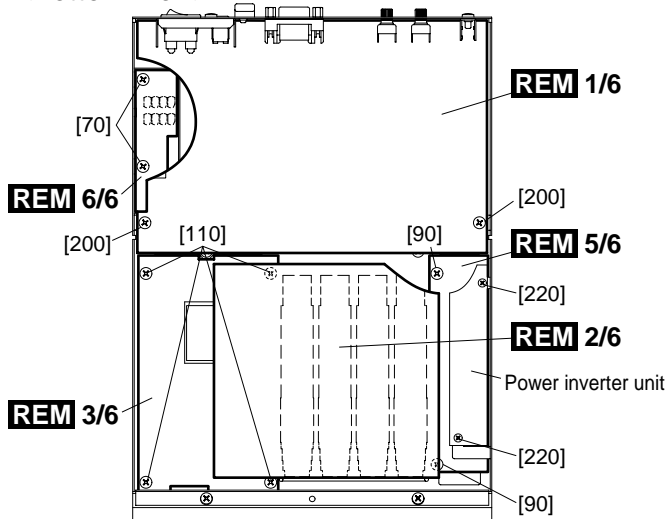
<Rear View>



- [180]: Bind Head Tapping Screw-B 3.0X6 MFZN2BL (EP600230)
- [190]: Bind Head Screw 3.0X8 MFZN2BL (VB659000)
- [310]: Bind Head Tapping Screw-B 3.0X8 MFZN2BL (EP600190)

Fig. 4

<Bottom View>



- [70]: Bind Head Tapping Screw-B 3.0X6 MFZN2BL (EP600230)
- [90]: Bind Head Tapping Screw-B 3.0X6 MFZN2BL (EP600230)
- [110]: Bind Head Tapping Screw-B 3.0X6 MFZN2BL (EP600230)
- [200]: Bind Head Tapping Screw-B 3.0X6 MFZN2BL (EP600230)
- [220]: Bind Head Screw 2.0X3 MFZN2Y (VQ717600)

Fig. 5

5. Top Panel (Time required: about 15 minutes)

- 5-1 Remove the left and right side pads. (See procedure 1.)
- 5-2 Remove the bottom cover. (See procedure 2.)
- 5-3 Remove the REM 1/6 circuit board. (See procedure 3-3.)
- 5-4 Pull out the four fader knobs from the control panel side.
- 5-5 Remove the seven (7) screws marked [150]. The top panel can then be removed. (Fig. 6)

6. REM 2/6 Circuit Board
(Time required: about 20 minutes)

- 6-1 Remove the left and right side pads. (See procedure 1.)
- 6-2 Remove the bottom cover. (See procedure 2.)
- 6-3 Remove the REM 1/6 circuit board. (See procedure 3-3.)
- 6-4 Remove the top panel. (See procedure 5.)
- 6-5 Remove the eight (8) screws marked [140]. The REM2/6 circuit board can then be removed. (Fig. 5, 6)

7. REM 3/6 Circuit Board, REM 4/6 Circuit Board
(Time required: about 20 minutes)

- 7-1 Remove the left and right side pads. (See procedure 1.)
- 7-2 Remove the bottom cover. (See procedure 2.)

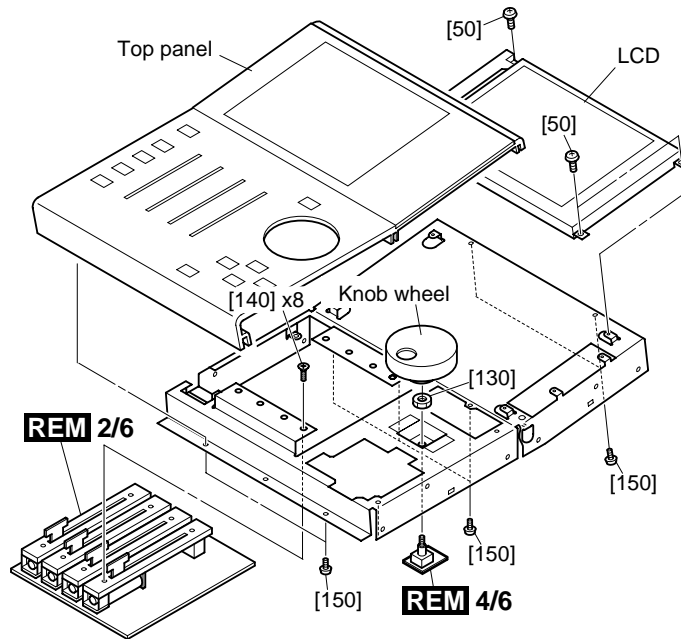
- 7-3 Remove the REM 1/6 circuit board. (See procedure 3-3.)
- 7-4 Remove the top panel. (See procedure 5.)
- 7-5 Remove the REM 2/6 circuit board. (See procedure 6.)
- 7-6 **REM 3/6 Circuit Board**
Remove the four (4) screws marked [110]. The REM 3/6 circuit board can then be removed. (Fig. 5)
- 7-7 **REM 4/6 Circuit Board**
Pull out the knob wheel from the control panel side. (Fig. 6)
Remove the hexagonal nut marked [130]. The REM 4/6 circuit board can then be removed. (Fig. 6)

8. REM 5/6 Circuit Board
(Time required: about 20 minutes)

- 8-1 Remove the left and right side pads. (See procedure 1.)
- 8-2 Remove the bottom cover. (See procedure 2.)
- 8-3 Remove the REM 1/6 circuit board. (See procedure 3-3.)
- 8-4 Remove the power inverter unit. (See procedure 3-4.)
- 8-5 Remove the top panel. (See procedure 5.)
- 8-6 Remove the REM 2/6 circuit board (See procedure 6.)
- 8-7 Remove the two (2) screws marked [90]. The REM 5/6 circuit board can then be removed. (Fig. 5)

9 LCD (Time required: about 15 minutes)

- 9-1 Remove the left and right side pads. (See procedure 1.)
- 9-2 Remove the bottom cover. (See procedure 2.)
- 9-3 Remove the REM 1/6 circuit board. (See procedure 3-3.)
- 9-4 Remove the top panel. (See procedure 5.)
- 9-5 Remove the four (4) screws marked [50]. The LCD can then be removed. (Fig. 6)



[50]: Bind Head Screw 2.6X6 MFZN2BL (EG320220)
[140]: Flat Head Screw 3.0X4 MFZN2Y (VD016900)

[150]: Bind Head Tapping Screw-B 3.0X8 MFZN2BL (EP600190)

Fig. 6

■ LSI PIN DESCRIPTION

● HD6417014F28 (XU147A00) CPU

REM: IC6

PIN NO.	NAME	I/O	FUNCTION	PIN NO.	NAME	I/O	FUNCTION	
1	PE14	O	Port E	57	D11	I/O	Data bus	
2	PE15	O	Port E	58	D10	I/O		
3	VSS	I	Ground	59	D9	I/O		
4	A0	O	Address bus	60	D8	I/O	Data bus	
5	A1	O						
6	A2	O						
7	A3	O						
8	A4	O						
9	A5	O						
10	A6	O						
11	A7	O						
12	A8	O						
13	A9	O						
14	A10	O						
15	A11	O						
16	A12	O						
17	A13	O						
18	A14	O						
19	A15	O						
20	A16	O						
21	VCC	I	Power supply	76	NMI	I	Non-maskable interrupt request	
22	A17	O	Address bus	77	VCC	I	Power supply	
23	VSS	I	Ground	78	MD1	I	Mode control	
24	/RAS	O	Row address strobe	79	MD0	I	Mode control	
25	/CASL	O	Column address strobe (low)	80	PLLVC	I	PLL Power supply	
26	/CASH	O	Column address strobe (high)	81	PLLCAP	I	PLL capacitor	
27	VSS	O	Ground	82	PLLVSS	I	PLL Ground	
28	RDWR / PB5	O	DRAM read/write / Port B	83	PA15 / CK	O	Port A / Clock	
29	A18	O	Address bus	84	/RES	I	Reset	
30	A19	O						
31	A20	O						
32	PB9 / A21	O		Port B / Address bus	85	PE0	I	Port E
33	VSS	I	Ground	86	PE1	I		
34	/RD	O	Read	87	PE2	I		
35	/WDTOVF	O	Watch dog timer overflow	88	PE3	I		
36	/WRH	O	High write	89	PE4	I	Ground	
37	VCC	I	Power supply	90	VSS	I		
38	/WRL	O	Low write	91	AN0 / PF0	I	Analog input / Port F	
39	VSS	I	Ground	92	AN1 / PF1	I		
40	/CS1	O	Chip select	93	AN2 / PF2	I		
41	/CS0	O	Chip select	94	AN3 / PF3	I		
42	PA9 / TCLKD	O	Port A / Timer clock	95	AN4 / PF4	I		
43	/IRQ2 / TCLKC	I	Interrupt request / Timer clock	96	AN5 / PF5	I	Analog ground	
44	/CS3	O	Chip select	97	AVSS	I		
45	/CS2	O	Chip select	98	AN6 / PF6	I	Analog input / Port F	
46	/IRQ1	I	Interrupt request	99	AN7 / PF7	I	Analog input / Port F	
47	TXD	O	Data transmission	100	AVCC	I	Power supply	
48	RXD	I	Data reception	101	VSS	I	Ground	
49	/IRQ0	I	Interrupt request	102	PE5	O	Port E	
50	PA1 / TXD0	O	Port A / Data transmission	103	VCC	I	Power supply	
51	PA0 / RXD0	I	Port A / Data reception	104	PE6	O	Port E	
52	D15	I/O	Data bus	105	PE7	O		
53	D14	I/O						
54	D13	I/O						
55	VSS	I		Ground	106	PE8	O	
56	D12	I/O	Data bus	107	PE9	O	Port E	
				108	PE10	O		
				109	VSS	I		Ground
				110	PE11	O		
				111	PE12	O	Port E	
				112	PE13	O		

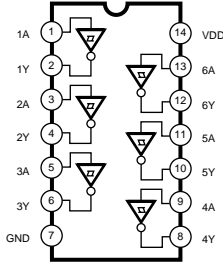
● SED1353F-0A (XY766A00) LCD CONTROLLER

REM: IC12

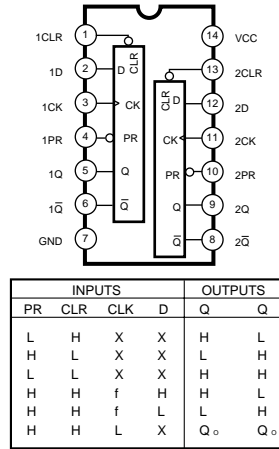
PIN NO.	NAME	I/O	FUNCTION	PIN NO.	NAME	I/O	FUNCTION
1	DB7	I/O	Data bus	51	VD7	I/O	VRAM data bus
2	Vss		Ground	52	Vss		Ground
3	VDD		Power supply	53	VDD		Power supply
4	DB8	I/O	Data bus	54	VD8	I/O	VRAM data bus
5	DB9	I/O					
6	DB10	I/O					
7	DB11	I/O					
8	DB12	I/O					
9	DB13	I/O					
10	DB14	I/O	UDS# column address strobe	59	VD13	I/O	VRAM data bus
11	DB15	I/O					
12	AB0	I	Address bus	60	VD14	I/O	VRAM data bus
13	AB1	I					
14	AB2	I					
15	AB3	I					
16	AB4	I					
17	AB5	I					
18	AB6	I					
19	AB7	I					
20	AB8	I					
21	AB9	I					
22	AB10	I	Data bus	61	VD15	I/O	VRAM data bus
23	AB11	I					
24	AB12	I	Data bus	62	VA11	O	VRAM address bus
25	AB13	I					
26	AB14	I					
27	AB15	I					
28	AB16	I	Scan start signal X driver latch puls	63	VA12	O	VRAM address bus
29	AB17	I					
30	AB18	I	Reset	64	VA13	O	VRAM address bus
31	AB19	I					
32	RESET	I	VRAM address bus	65	VA14	O	VRAM address bus
33	VA0	O					
34	VA1	O					
35	VA2	O					
36	VA3	O					
37	VA4	O					
38	VA5	O					
39	VA6	O					
40	VA7	O					
41	VA8	O					
42	VA9	O	Data bus	66	VA15	O	VRAM address bus
43	VA10	O					
44	VD0	I/O	VRAM data bus	67	VWE#	O	Chip select
45	VD1	I/O					
46	VD2	I/O					
47	VD3	I/O					
48	VD4	I/O					
49	VD5	I/O					
50	VD6	I/O	Data bus shift clock	68	VCS0#	O	Chip select
			Data bus	69	VCS1#	O	Chip select
			Data bus	70	UD3	O	Data bus
			Data bus	71	UD2	O	Data bus
			Data bus	72	UD1	O	Data bus
			Data bus	73	UD0	O	Data bus
			Data bus	74	LD3	O	Data bus
			Data bus	75	LD2	O	Data bus
			Data bus	76	LD1	O	Data bus
			Data bus	77	LD0	O	Data bus
			Data bus	78	YD	O	Data bus
			Data bus	79	LP	O	Data bus
			Data bus	80	WF/XSCL2	O	Data bus
			Data bus	81	XSCL	O	Data bus
			Data bus	82	LCDENB	O	Data bus
			Data bus	83	VOE#	O	Data bus
			Data bus	84	IOCS#	I	Data bus
			Data bus	85	IOW#	I	Data bus
			Data bus	86	IOR#	I	Data bus
			Data bus	87	MEMCS#	I	Data bus
			Data bus	88	MEMW#	I	Data bus
			Data bus	89	MEMR#	I	Data bus
			Data bus	90	READY	O	Data bus
			Data bus	91	BHE#	I	Data bus
			Data bus	92	OSC1	I	Data bus
			Data bus	93	OSC2	O	Data bus
			Data bus	94	DB0	I/O	Data bus
			Data bus	95	DB1	I/O	Data bus
			Data bus	96	DB2	I/O	Data bus
			Data bus	97	DB3	I/O	Data bus
			Data bus	98	DB4	I/O	Data bus
			Data bus	99	DB5	I/O	Data bus
			Data bus	100	DB6	I/O	Data bus

IC BLOCK DIAGRAM

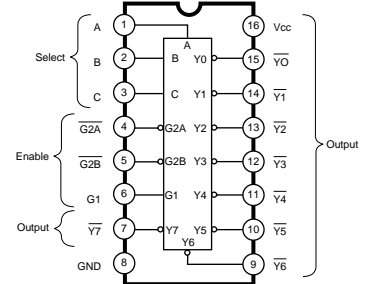
- **MM74HC14SJX** (XW104A00)
Hex Inverter
REM: IC2



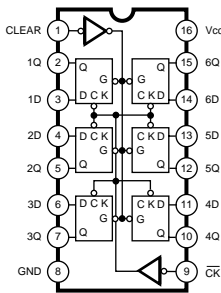
- **MM74HC74ASJX** (XY153A00)
Dual D-Type Flip-Flop
REM: IC23



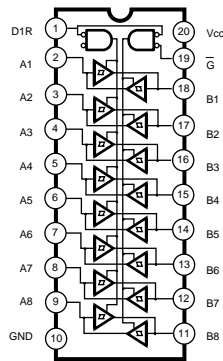
- **MM74HC138SJX** (XY353A00)
3 to 8 Demultiplexer
REM: IC10, 11



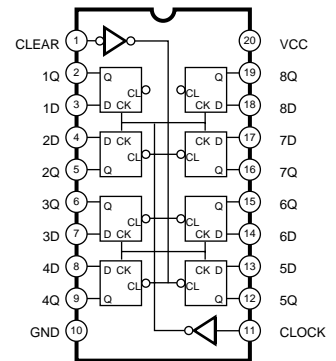
- **TC74ACT174F** (XY938A00)
Hex D-Type Flip-Flop
REM: IC16, 26



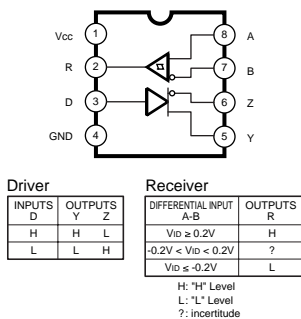
- **MM74HC245ASJX** (XW107A00)
Octal 3-State Bus Transceiver
REM: IC19



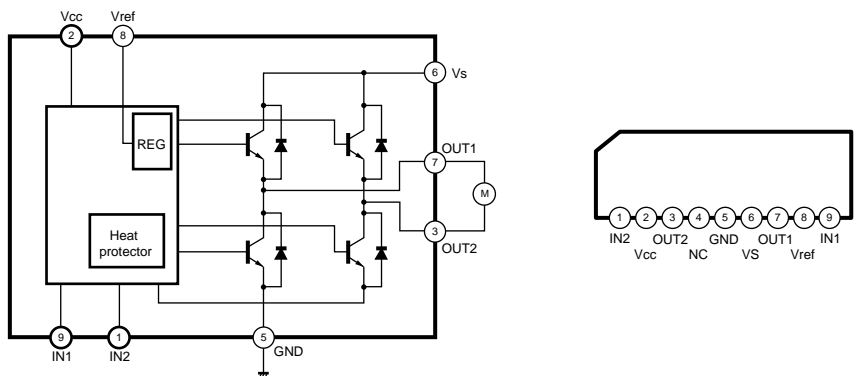
- **TC74AC273F** (XR281A00)
Octal D-Type Flip-Flop
REM: IC14, 15



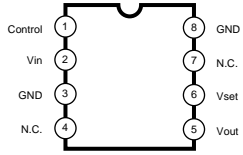
- **SN75179BPSR** (XT619A00)
Line DRIVER
REM: IC4



- **TA7291S** (XF557A00)
Motor Driver DRIVER
REM: IC101-104



- **CE-3101-T** (XW701A00)
DC-DC Converter
REM: IC18

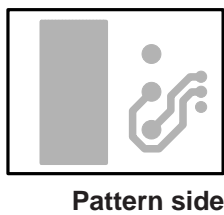
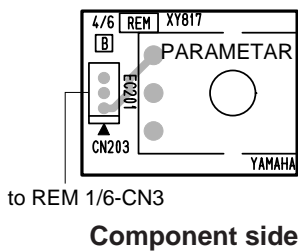


■ CIRCUIT BOARDS

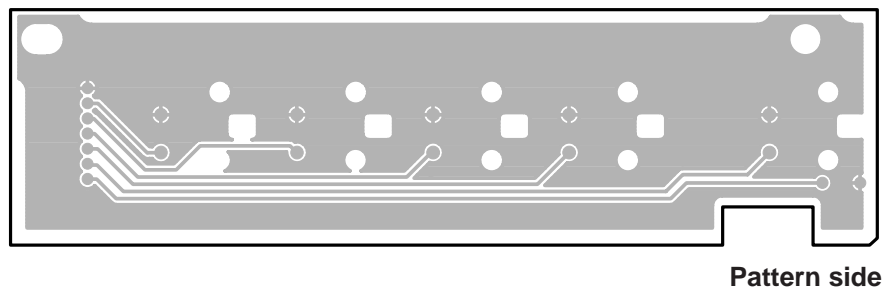
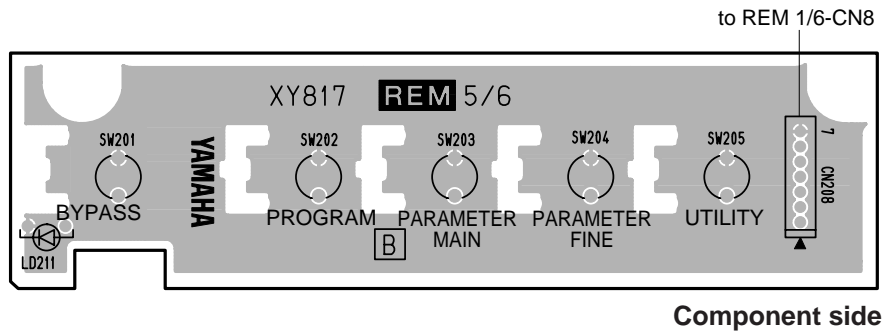
REM 1/6 Circuit Board (XY817B0).....	18
REM 2/6 Circuit Board (XY817B0).....	20
REM 3/6 Circuit Board (XY817B0).....	20
REM 4/6 Circuit Board (XY817B0).....	17
REM 5/6 Circuit Board (XY817B0).....	17
REM 6/6 Circuit Board (XY817B0).....	17

Note: See parts list for details of circuit board component parts.

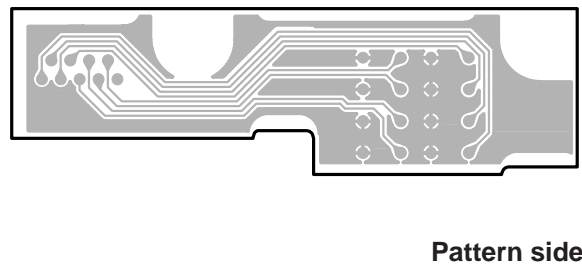
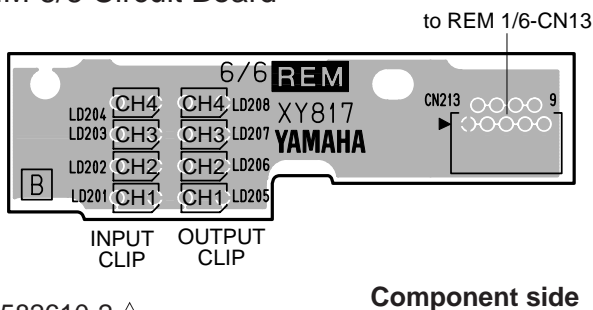
● REM 4/6 Circuit Board





● REM 5/6 Circuit Board

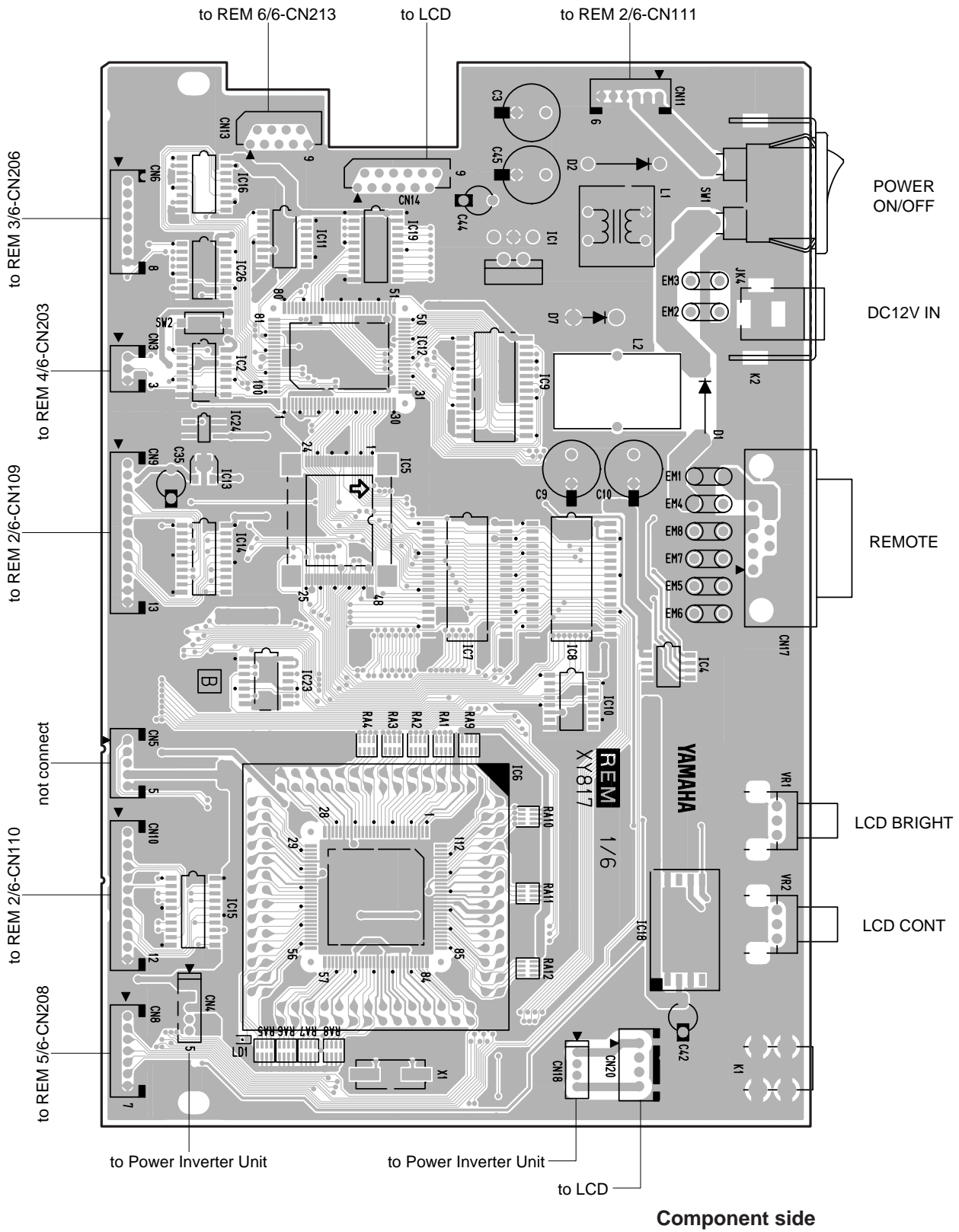


● REM 6/6 Circuit Board

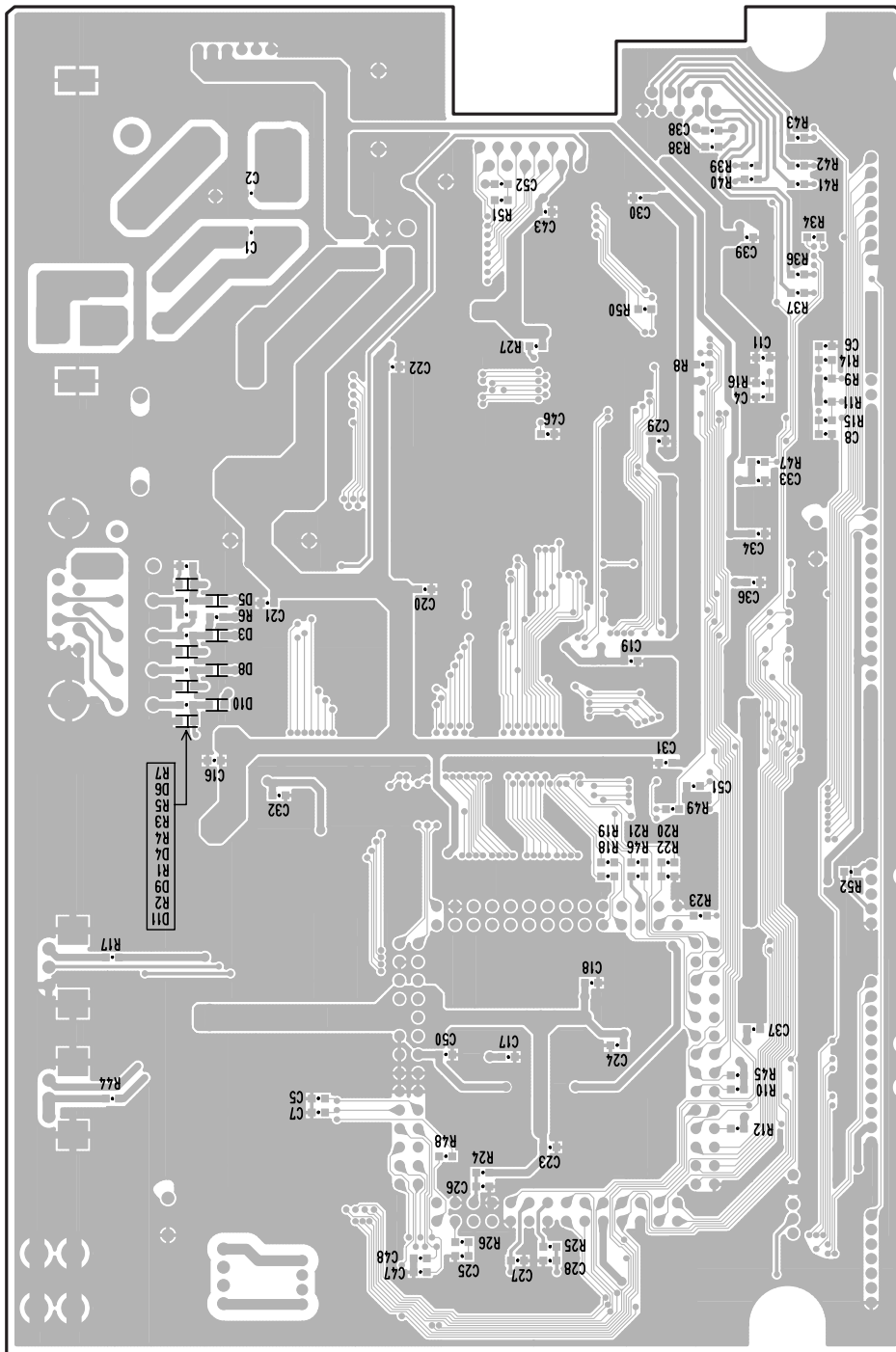


3NA-V582610-2 
 3NA-V582610-3 

● REM 1/6 Circuit Board

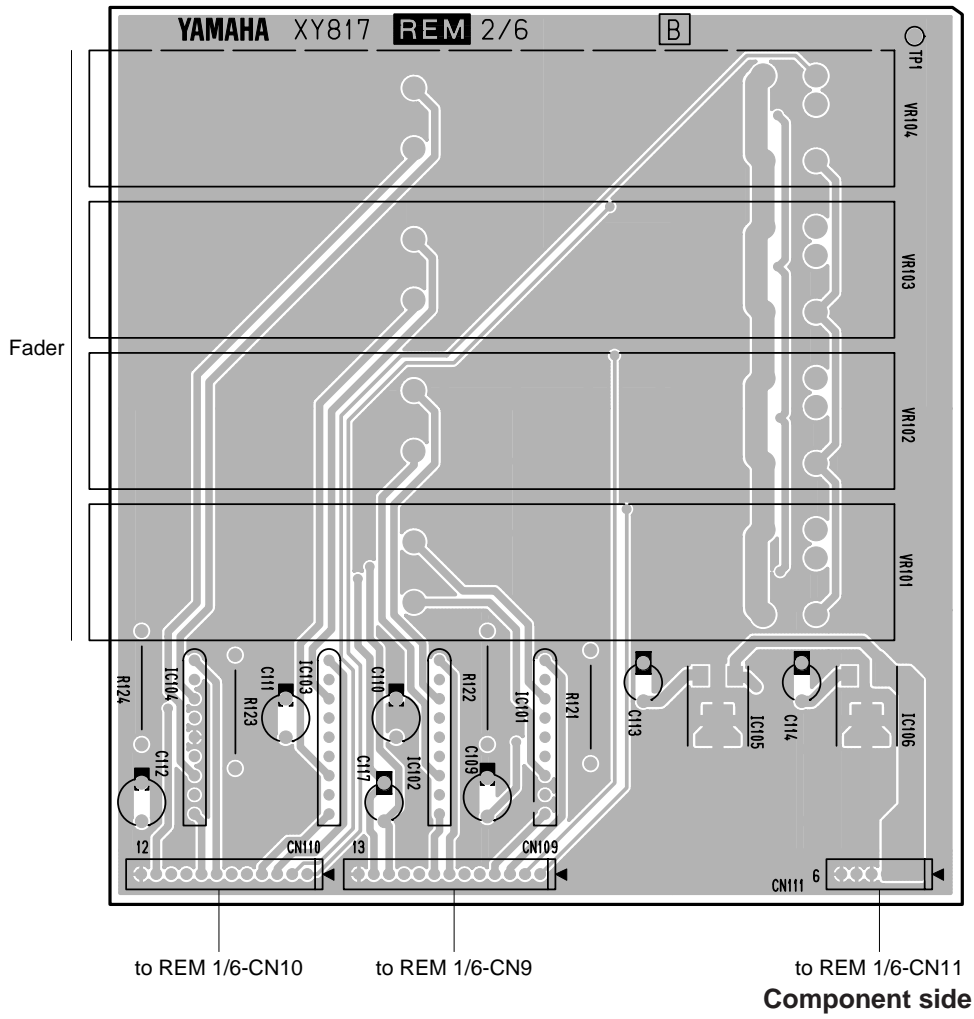


● REM 1/6 Circuit Board

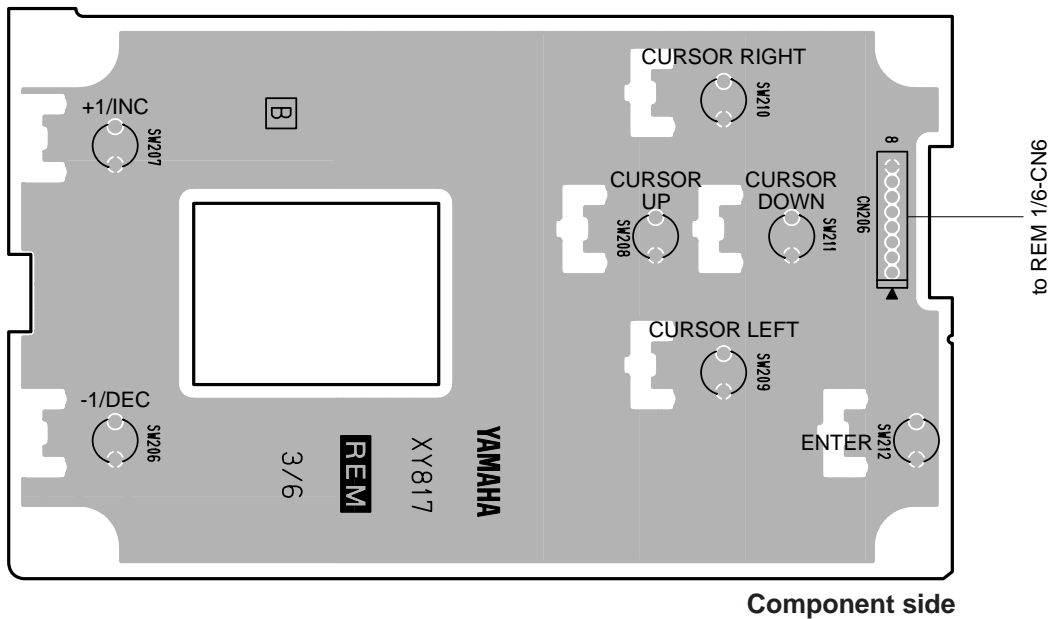


Pattern side

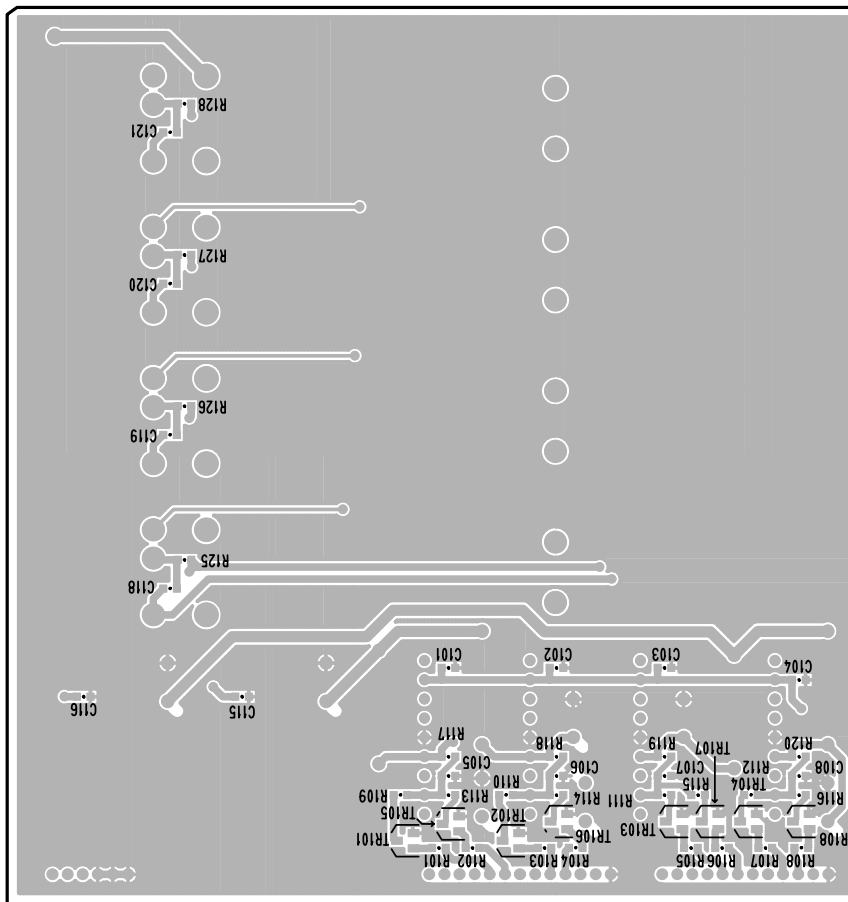
● REM 2/6 Circuit Board



● REM 3/6 Circuit Board

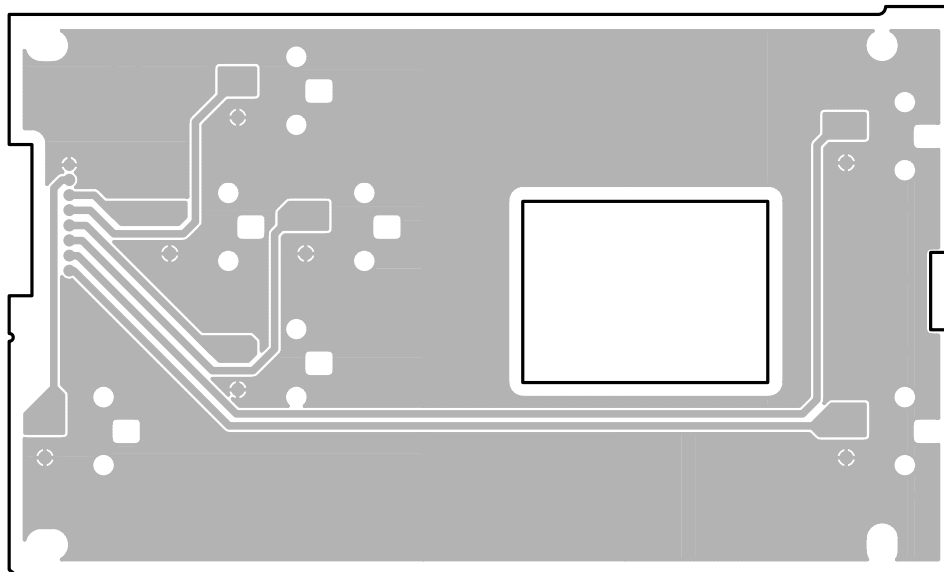


● REM 2/6 Circuit Board



Pattern side

● REM 3/6 Circuit Board



Pattern side

TEST PROGRAM

1. Range of application

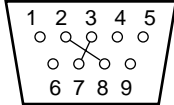
This provides the stipulations for the dedicated remote controller for the sampling reverberator.

2. Preparations

2-1. Jig types

1. Power supply adaptor PA-6
2. Dsub male 9-pin loop-back jig (connected as shown in the figure).

2. DSUB Connection



2-2. Connections

Connect the power supply adapter and loop-back connector jig.

3. Inspection procedure

3-1. Inspection items

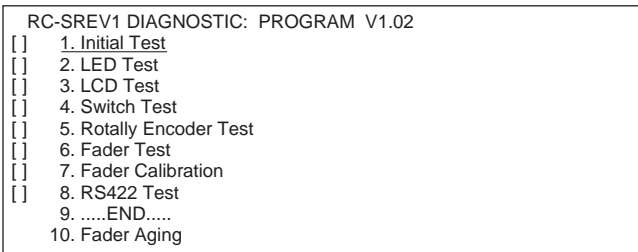
No.	Item	Inspection
1	Initial Test	○
2	LED Test	○
3	LCD Test	○
4	Switch Test	○
5	Rotally Encoder Test	○
6	Fader Test	○
7	Fader Calibration	○
8	RS422 Test	△
9	...END...	—
10	Fader Aging	△

○ : Requires inspection △ : Inspect as necessary

3-1-1. Starting the diagnostic program (hereafter, diagnosis)

Executing the diagnosis

Turn on the power while simultaneously pressing the [UTILITY] and [PROGRAM] keys. The diagnosis will be executed and this menu screen will appear.

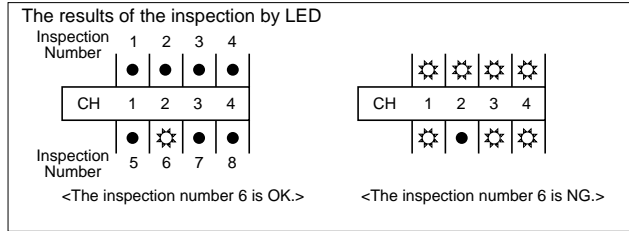


* Operate the BRIGHT and CONT knobs. Check that the brightness and contrast adjustment is operating normally.

* For each test by using the cursor key [△] or [▽] to select items from the menu. Press the [ENTER] key to execute.

* The results of the inspection are shown as follows.

- LED: If OK, the CLIP LEDs for the inspection number section will come on. If NG, the same LEDs will go out and other LEDs will come on. (Upper right diagram)
- LCD: The progress status and results of the inspection (as OK, NG or END) are displayed.



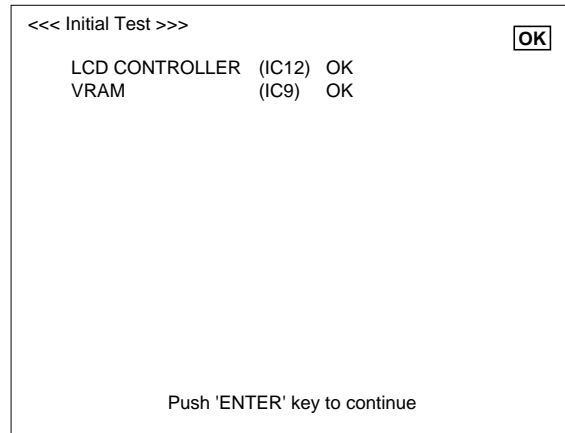
3-1-2. Description of the inspection items

3-1-2-1. Initial test

• Outline

Checks the LCD controller and VRAM.

• Screen example



• End

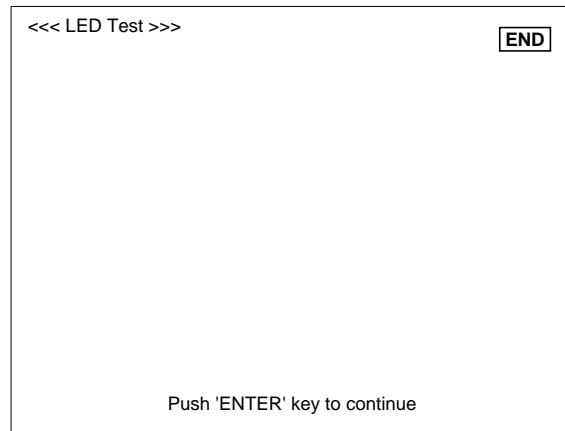
Press the ENTER key to return to the menu screen.

3-1-2-2. LED Test

• Outline

Inspect the LEDs visually.

• Screen example



• Description

- (1) The LEDs will come on in the sequence shown BYAPASS, INPUT CLIP, OUTPUT CLIP. Check that each LED comes on correctly.
- (2) At the end, all LEDs will go out and then come on. Check that all LEDs come on.

* To stop while in progress, press the [ENTER] key.

• End

Press the [ENTER] key to return to the menu screen.

3-1-2-3. LCD Test

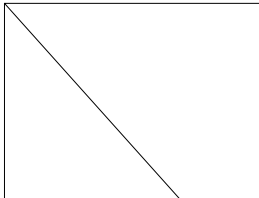
• Outline

Inspect the LCD visually.

• Description

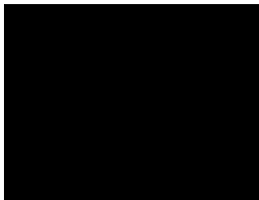
The display on the LCD appears in the following sequence: diagonal, all black and all white. Confirm visually.

(1) Diagonal display



Press the [ENTER] key to move to the next item.

(2) All black display



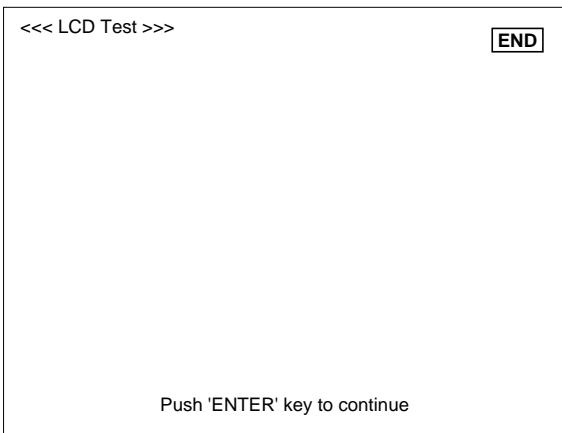
Press the [ENTER] key to move to the next item.

(3) All white display



Press the [ENTER] key to move to the next item.

(4) End



• End

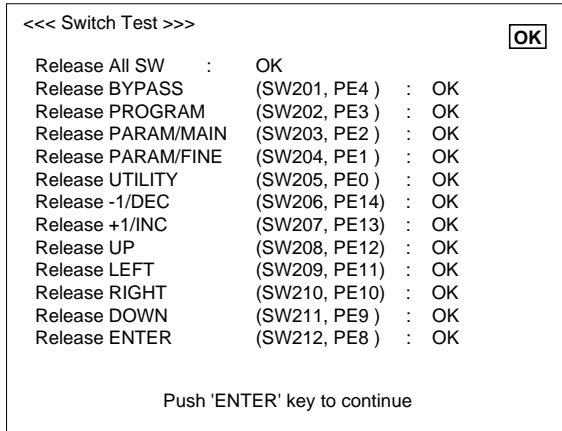
Press the [ENTER] key to return to the menu screen.

3-1-2-4. Switch Test

• Outline

Inspect the keys.

• Screen example



• Description

- (1) An initial check is performed to check if there are any switches in the pressed state. Do not touch the switches while this initial check is being performed.
- (2) The keys are pressed in the sequence shown in the test pattern figure. (Normally, the name of the next key to be pressed is displayed.)
- (3) When all the keys have been checked, the OK mark is displayed. (If a switch is defective and the check cannot proceed, press [ENTER] key to force terminate the operation.)

Note) After a check has been performed for multiple switches being pressed, the program will go to the next switch check. Because of this, do not touch any of the other switches if a high-speed test is to be performed.

• End

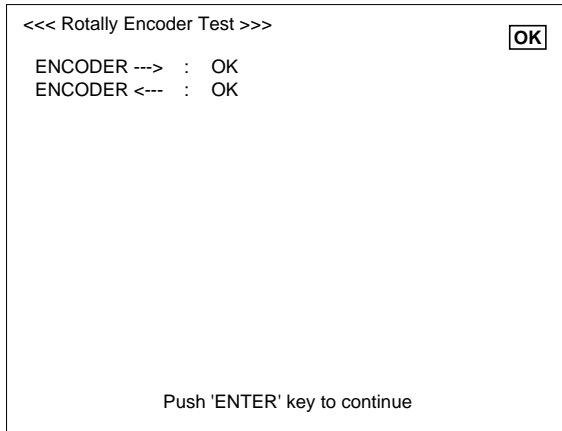
Press the [ENTER] key to return to the menu screen.

3-1-2-5. Encoder Test

• Outline

Inspect the rotary encoder.

• Screen example



• Description

- (1) If “ENCODER--->”is displayed, turn the encoder in a clockwise direction. (1 cycle or more)
 - (2) If “ENCODER<---”is displayed, turn the encoder in a counter-clockwise direction. (1 cycle or more)
- * If the program has ended normally, the OK mark will appear. If the encoder is defective and the program cannot proceed, the time will expire. It can also be terminated by pressing the [ENTER] key.

• End

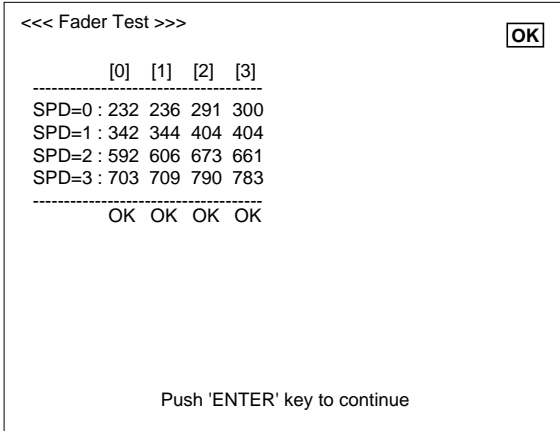
Press the [ENTER] key to return to the menu screen.

3-1-2-6. Fader Test

• Outline

Inspect the motor fader.

• Screen example



• Description

Change the movement distance and driver voltage of each fader and measure.

• End

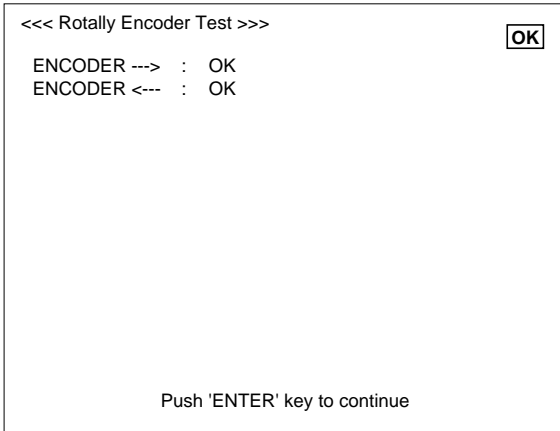
Press the [ENTER] key to return to the menu screen.

3-1-2-7. Fader Calibration

• Outline

Motor fader correction is performed.

• Screen example



• Description

After the fader calibration has been automatically performed, measure the return movement time of each fader is measured. If even one is NG, it will not be OK. Change the fader or perform “Fader Aging” as needed.

• End

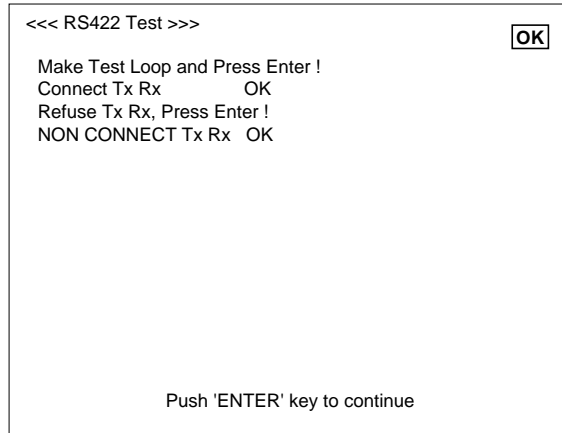
Press the [ENTER] key to return to the menu screen.

3-1-2-8. Comm.Test

• Outline

A check of the REMOTE communication port is performed.

• Screen example



• Description

- (1) When “Make Test Loop and Press Enter!” is displayed, connect the loop back connector jig to the [REMOTE] terminal. After connecting, press the [ENTER] key to check the status of the connection.
- (2) When “Refuse Tx Rs, Press Enter!” is displayed, remove the loop back connector jig from the [REMOTE] terminal. After removing, press the [ENTER] key to check the status of the non-connection.

• End

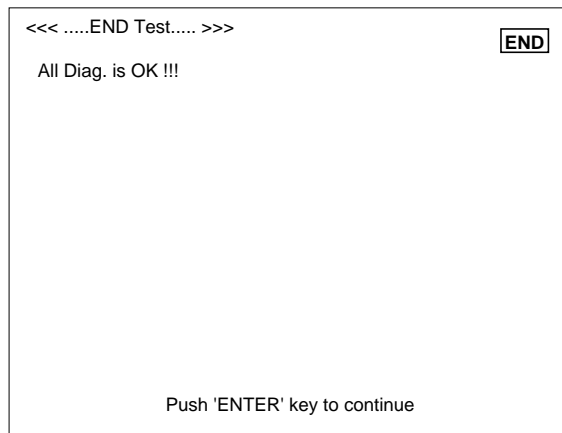
Press the [ENTER] key to return to the menu screen.

3-1-2-9. END

• Outline

Inspection is completed.

• Screen example



• Description

Inspection is completed. At this time, only when all the required inspection items are terminated and the results are OK will the “All Diag is OK” shown above be displayed. If the program could not be executed or if there were NG items, a list of those items will be displayed.

• End

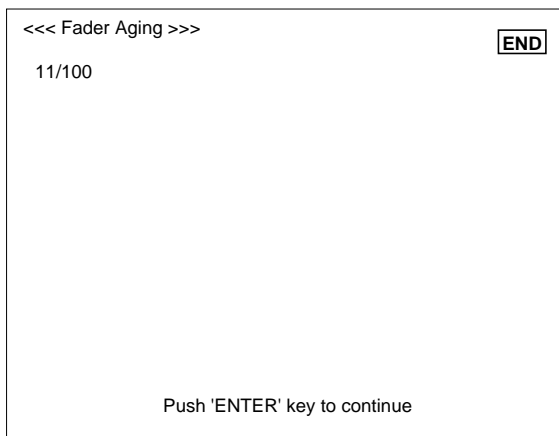
Press the [ENTER] key to return to the menu screen.

3-1-2-10. Fader Aging

- **Outline**

Fader aging is performed.

- **Screen example**



- **Description**

Here, 100 return cycles of the up/down movement of the fader is performed.

Use this if there is a fader with exceptionally bad operation.

- **End**

Press the [ENTER] key to return to the menu screen.

■ UPGRADING RC-SREV1

Refer to “6-2. Upgrading RC-SREV1” (Page 43) in the SREV1 test program.

REMOTE CONTROLLER

RC-S REV1

PARTS LIST


■ CONTENTS

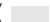
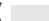
OVERALL ASSEMBLY.....	2
ELECTRICAL PARTS	4~6

Notes: DESTINATION ABBREVIATIONS

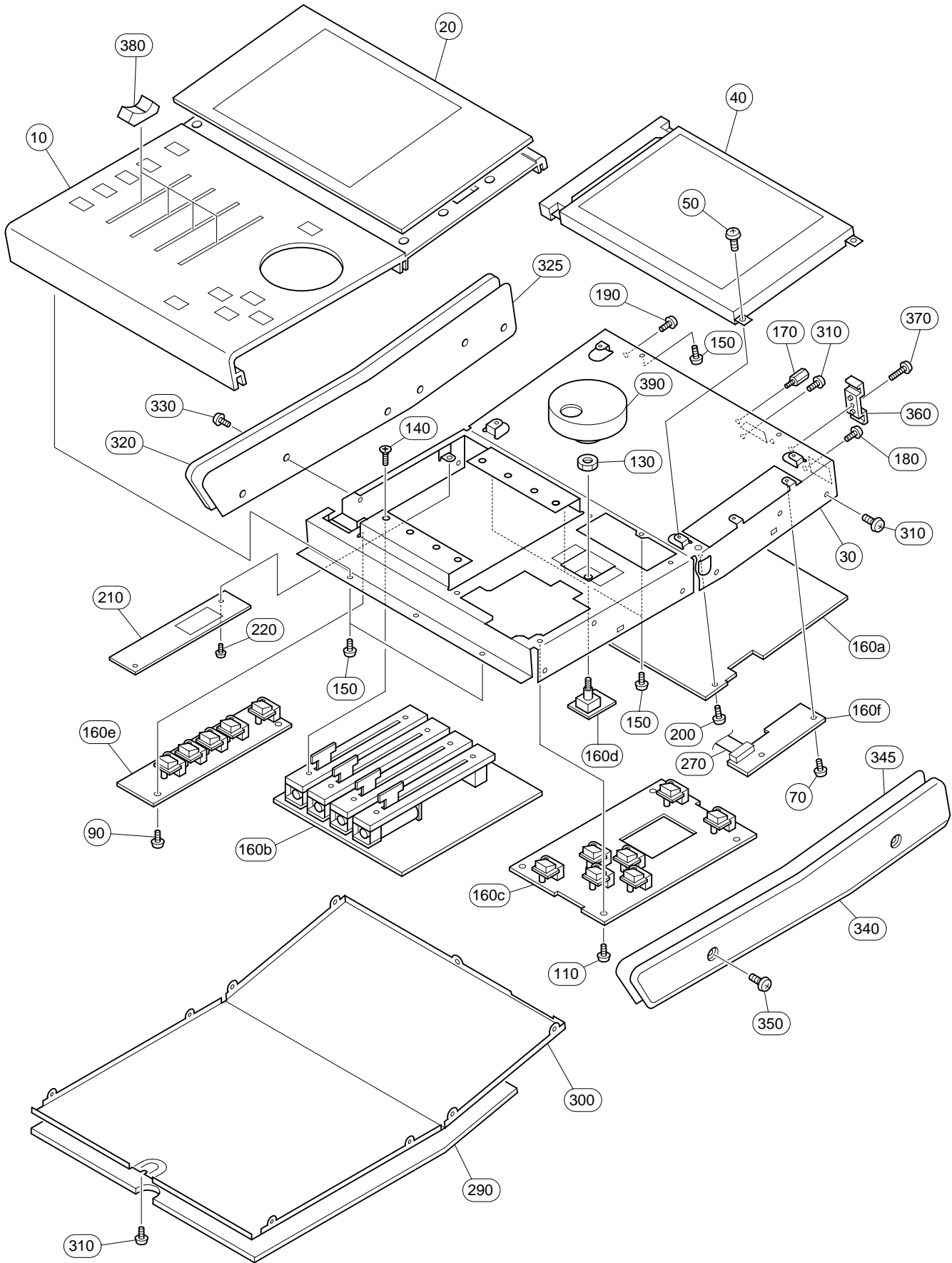
A: Australian model	M: South African model
B: British model	O: Chinese model
C: Canadian model	Q: South-east Asia model
D: German model	T: Taiwan model
E: European model	U: U.S.A. model
F: French model	V: General export model (110 V)
H: North European model	W: General export model (220 V)
I : Indonesian model	N,X: General export model
J: Japanese model	Y: Export model

■ WARNING

Components having special characteristics are marked  and must be replaced with parts having specification equal to those originally installed.

- The numbers in “QTY” show quantities for each unit.
- The parts with “- -” in “PART NO.” are not available as spare parts.
- The mark “}” in the remarks column indicates that these parts are interchangeable.
- The second letter of the shaded () part number is O, not zero.
- The second letter of the shaded () part number is I, not one.

OVERALL ASSEMBLY



REF.NO.	PART NO.	DESCRIPTION		REMARKS	QTY	RANK
	--	OVERALL ASSEMBLY		RC-SREV1 (V652850)		
* 10	V6528900	Top Panel				
* 20	V6529200	Cover				
* 30	V6528600	Sub Chassis				
40	V5605200	LCD	LM320191			23
50	EG320220	Bind Head Screw	2.6X6 MFZN2BL		4	01
70	EP600230	Bind Head Tapping Screw-B	3.0X6 MFZN2BL		2	01
90	EP600230	Bind Head Tapping Screw-B	3.0X6 MFZN2BL		2	01
110	EP600230	Bind Head Tapping Screw-B	3.0X6 MFZN2BL		4	01
130	V2431400	Hexagonal Nut	9.0X11			01
140	VD016900	Flat Head Screw	3.0X4 MFZN2Y		8	01
150	EP600190	Bind Head Tapping Screw-B	3.0X8 MFZN2BL		7	01
160	--	Circuit Board	REM	(V582610)		
* 160a	AAX20920	Circuit Board	REM 1/6			
* 160b	AAX20930	Circuit Board	REM 2/6			
* 160c	AAX20940	Circuit Board	REM 3/6			
* 160d	AAX20950	Circuit Board	REM 4/6			
* 160e	AAX20960	Circuit Board	REM 5/6			
* 160f	AAX20970	Circuit Board	REM 6/6			
170	VT362500	Jack Socket	17L-003A3		2	01
180	EP600230	Bind Head Tapping Screw-B	3.0X6 MFZN2BL			01
190	VB659000	Bind Head Screw	3.0X8 MFZN2BL			01
200	EP600230	Bind Head Tapping Screw-B	3.0X6 MFZN2BL		2	01
△* 210	V6627900	Power Inverter Unit	CXA-L0605-VJL			
220	VQ717600	Bind Head Screw	2.0X3 MFZN2Y		2	01
* 270	MF109100	Connector Assembly	9P 100mm P=1.25			
* 290	V6735800	Bottom Sheet				
* 300	V6528700	Bottom Cover				
310	EP600190	Bind Head Tapping Screw-B	3.0X8 MFZN2BL		10	01
* 320	V6529300	Side Pad	LEFT			
325	--	Shield Sheet	LEFT	(V738140)		
330	VH741100	Bind Head Tapping Screw-B	SP 3.0X10 MFZN2BL		2	01
* 340	V6529400	Side Pad	RIGHT			
345	--	Shield Sheet	RIGHT	(V738150)		
350	VH741100	Bind Head Tapping Screw-B	SP 3.0X10 MFZN2BL		2	01
360	VC407100	Cord Column				02
370	VB659000	Bind Head Screw	3.0X8 MFZN2BL			01
* 380	V7421900	Knob, Fader	S Gray/Dark Gray	Faders	4	
* 390	V6529100	Knob Wheel		PARAMETER		
* 390	V6527300	ACCESSORY Cabel	DSUB 9P 20m			

*: New Parts

RANK: Japan only

ELECTRICAL PARTS

REF.NO.	PART NO.	DESCRIPTION		REMARKS	QTY	RANK
		ELECTRICAL PARTS		RC-SREV1		
	--	Circuit Board	REM	(V582610)(XY817B0)		
*	AAX20920	Circuit Board	REM 1/6	(XY817B0)		
*	AAX20930	Circuit Board	REM 2/6	(XY817B0)		
*	AAX20940	Circuit Board	REM 3/6	(XY817B0)		
*	AAX20950	Circuit Board	REM 4/6	(XY817B0)		
*	AAX20960	Circuit Board	REM 5/6	(XY817B0)		
*	AAX20970	Circuit Board	REM 6/6	(XY817B0)		
	--	Circuit Board	REM	(V582610)(XY817B0)		
*	AAX20920	Circuit Board	REM 1/6	(XY817B0)		
*	AAX20930	Circuit Board	REM 2/6	(XY817B0)		
*	AAX20940	Circuit Board	REM 3/6	(XY817B0)		
*	AAX20950	Circuit Board	REM 4/6	(XY817B0)		
*	AAX20960	Circuit Board	REM 5/6	(XY817B0)		
*	AAX20970	Circuit Board	REM 6/6	(XY817B0)		
	--	LED Spacer		BYPASS (V733240)		
	--	LED Cover		(V738550)		
	VT839000	Push Button	PRO R3	BYPASS,PROGRAM,P.-MAIN, P.-FINE,UTILITY,-1/DEC, +1/INC,CURSOR,ENTER	12	03
C1	US145100	Ceramic Capacitor-F (chip)	0.1000 25V Z			01
C2	US145100	Ceramic Capacitor-F (chip)	0.1000 25V Z			01
C3	VH340400	Electrolytic Cap.	330.00 25.0V			01
C4	US145100	Ceramic Capacitor-F (chip)	0.1000 25V Z			01
C5	US135100	Ceramic Capacitor-F (chip)	0.1000 16V Z			01
C6	US063150	Ceramic Capacitor-B (chip)	1500P 50V K			01
C7	US135100	Ceramic Capacitor-F (chip)	0.1000 16V Z			01
C8	US063150	Ceramic Capacitor-B (chip)	1500P 50V K			01
C9	VI254700	Electrolytic Cap.	470.00 16.0V			01
C10	VI254700	Electrolytic Cap.	470.00 16.0V			01
C11	US145100	Ceramic Capacitor-F (chip)	0.1000 25V Z			01
C16	US135100	Ceramic Capacitor-F (chip)	0.1000 16V Z			01
-24	US135100	Ceramic Capacitor-F (chip)	0.1000 16V Z			01
C25	US062470	Ceramic Capacitor-SL(chip)	470P 50V J			01
C26	US135100	Ceramic Capacitor-F (chip)	0.1000 16V Z			01
C27	US061220	Ceramic Capacitor-CH(chip)	22P 50V J			01
C28	US061220	Ceramic Capacitor-CH(chip)	22P 50V J			01
C29	US135100	Ceramic Capacitor-F (chip)	0.1000 16V Z			01
-34	US135100	Ceramic Capacitor-F (chip)	0.1000 16V Z			01
C35	UR827470	Electrolytic Cap.	47.00 10.0V			01
C36	US135100	Ceramic Capacitor-F (chip)	0.1000 16V Z			01
-39	US135100	Ceramic Capacitor-F (chip)	0.1000 16V Z			01
C42	UI547100	Electrolytic Cap.	10.00 25.0V			01
C43	US135100	Ceramic Capacitor-F (chip)	0.1000 16V Z			01
C44	UR867220	Electrolytic Cap.	22.00 50.0V			01
C45	VH340400	Electrolytic Cap.	330.00 25.0V			01
C46	US063100	Ceramic Capacitor-B (chip)	1000P 50V K			01
C47	US135100	Ceramic Capacitor-F (chip)	0.1000 16V Z			01
C48	US135100	Ceramic Capacitor-F (chip)	0.1000 16V Z			01
C50	US135100	Ceramic Capacitor-F (chip)	0.1000 16V Z			01
C51	US061470	Ceramic Capacitor-CH(chip)	47P 50V J			01
C52	US062100	Ceramic Capacitor-SL(chip)	100P 50V J			01
C101	US135100	Ceramic Capacitor-F (chip)	0.1000 16V Z			01
-108	US135100	Ceramic Capacitor-F (chip)	0.1000 16V Z			01
C109	UR838220	Electrolytic Cap.	220.00 16.0V			01
-112	UR838220	Electrolytic Cap.	220.00 16.0V			01
C113	UR847470	Electrolytic Cap.	47.00 25.0V			01
C114	UR847470	Electrolytic Cap.	47.00 25.0V			01
C115	US135100	Ceramic Capacitor-F (chip)	0.1000 16V Z			01
C116	US135100	Ceramic Capacitor-F (chip)	0.1000 16V Z			01
C117	UR847470	Electrolytic Cap.	47.00 25.0V			01
C118	US135100	Ceramic Capacitor-F (chip)	0.1000 16V Z			01
-121	US135100	Ceramic Capacitor-F (chip)	0.1000 16V Z			01
CN3	VB389900	Connector Base Post	PH 3P TE			01
CN4	--	Connector Assembly	SAN&51021 5P	(V700120)		
CN6	VB390400	Connector Base Post	PH 8P TE			01
CN8	VB390300	Connector Base Post	PH 7P TE			01
CN9	VF283100	Connector Base Post	PH 13P TE			01
CN10	VB390800	Connector Base Post	PH 12P TE			01

*: New Parts

RANK: Japan only

REF.NO.	PART NO.	DESCRIPTION		REMARKS	QTY	RANK
CN11	VB390200	Connector Base Post	PH 6P TE			01
CN13	VQ047200	Connector, FFC	52045 9P TE			01
CN14	VQ047300	Connector, FFC	52045 12P TE			02
* CN17	V6164700	Connector, D-Sub	17LE-23090-27(D40)	REMOTE		
CN18	--	Connector Assembly	SAN&BH 2P	(V700110)		
CN20	LB918040	Connector Base Post	XH 4P TE			01
CN109	--	Connector Assembly	SAN&PH 13P 140L	(V684060)		
CN110	--	Connector Assembly	SAN&PH 12P 200L	(V684140)		
CN111	--	Connector Assembly	SAN&PH 6P 160L	(V652810)		
CN203	--	Connector Assembly	SAN&PH 3P 100L	(VM85710)		
CN206	--	Connector Assembly	SAN&PH 8P 200L	(VP91350)		
CN208	--	Connector Assembly	7P 160mm B&C 2mm	(VY91480)		
CN213	VQ044400	Connector, FFC	52044 9P SE			01
D1	V2320300	Diode	RK33			01
D2	V2320300	Diode	RK33			01
D3	VT332900	Diode	1SS355 TE-17			01
-6	VT332900	Diode	1SS355 TE-17			01
D7	VP974300	Diode	D3S6M-4002			03
D8	VT332900	Diode	1SS355 TE-17			01
-11	VT332900	Diode	1SS355 TE-17			01
EC201	VR021100	Encoder	EC16B242040SA	PARAMETER		04
EM1	FZ007070	LC Filter	LS MT X222MB			01
-4	FZ007070	LC Filter	LS MT X222MB			01
EM5	FZ006920	LC Filter	LS MT B271KB			01
-8	FZ006920	LC Filter	LS MT B271KB			01
IC1	XT442A00	IC	SI-8050S	REGULATOR +5V SWITCH		05
IC2	XW104A00	IC	MM74HC14SJX	INVERTER		01
IC4	XT619A00	IC	SN75179BPSR	LINE DRIVER		05
* IC5	XZ782A00	IC	MBM29F800BA-70PFTN	FLASH ROM 8M		
IC6	XU147A00	IC	HD6417014F28	CPU		09
IC7	XV976A00	IC	M5M51008CFP-70H	SRAM 1M		07
IC8	XV976A00	IC	M5M51008CFP-70H	SRAM 1M		07
* IC9	XZ388A00	IC	W24257S-70LL-EL10	VRAM 256K		
IC10	XY353A00	IC	MM74HC138SJX	DECODER		02
IC11	XY353A00	IC	MM74HC138SJX	DECODER		02
* IC12	XY766A00	IC	SED1353F-0A	LCD CONTROLLER		
IC13	XS721A00	IC	UPC78L05T	REGULATOR +5V		01
IC14	XY198A00	IC	MM74HC273SJX	D-FF		03
IC14	XH233A00	IC	SN74HC273NSR			03
IC15	XY198A00	IC	MM74HC273SJX			03
IC15	XH233A00	IC	SN74HC273NSR			03
* IC16	XY938A00	IC	TC74ACT174F	D-FF		
IC18	XW701A00	IC	CE-3101-T	DC-DC CONVERTER		09
IC19	XW107A00	IC	MM74HC245ASJX	BUFFER		03
IC23	XY153A00	IC	MM74HC74ASJX	D-FF		01
IC24	XP226A00	IC	IC-PST591DMT	SYSTEM RESET		03
* IC26	XY938A00	IC	TC74ACT174F	D-FF		
IC101	XF557A00	IC	TA7291S	MOTOR DRIVER		03
-104	XF557A00	IC	TA7291S	MOTOR DRIVER		03
IC105	XW617A00	IC	NJM7810DLA	REGULATOR +10V		02
IC106	XW617A00	IC	NJM7810DLA	REGULATOR +10V		02
JK4	VJ207400	DC-IN Jack	16V DC 3A HEC2305	DC 12V IN		01
K1	VC719300	Terminal Plate	P-424			01
K2	VP050400	Switch Panel	IFB485			11
L1	VH746100	Choke Coil	PLT09H-2003R 20uH			04
L2	V4678200	Coil	HP-022Z 180uH			05
LD201	VZ533800	LED	SLR-325VRT31(TA)	INPUT CLIP CH1		01
LD202	VZ533800	LED	SLR-325VRT31(TA)	INPUT CLIP CH2		01
LD203	VZ533800	LED	SLR-325VRT31(TA)	INPUT CLIP CH3		01
LD204	VZ533800	LED	SLR-325VRT31(TA)	INPUT CLIP CH4		01
LD205	VZ533800	LED	SLR-325VRT31(TA)	OUTPUT CLIP CH1		01
LD206	VZ533800	LED	SLR-325VRT31(TA)	OUTPUT CLIP CH2		01
LD207	VZ533800	LED	SLR-325VRT31(TA)	OUTPUT CLIP CH3		01
LD208	VZ533800	LED	SLR-325VRT31(TA)	OUTPUT CLIP CH4		01
LD211	V5295900	LED	SLP-253B Green	BYPASS		01
R1	RD354100	Carbon Resistor (chip)	10 63M J			01
R2	RD354100	Carbon Resistor (chip)	10 63M J			01
R3	RD355150	Carbon Resistor (chip)	150 63M J			01
R4	RD356100	Carbon Resistor (chip)	1.0K 63M J			01
R5	RD356100	Carbon Resistor (chip)	1.0K 63M J			01

*: New Parts

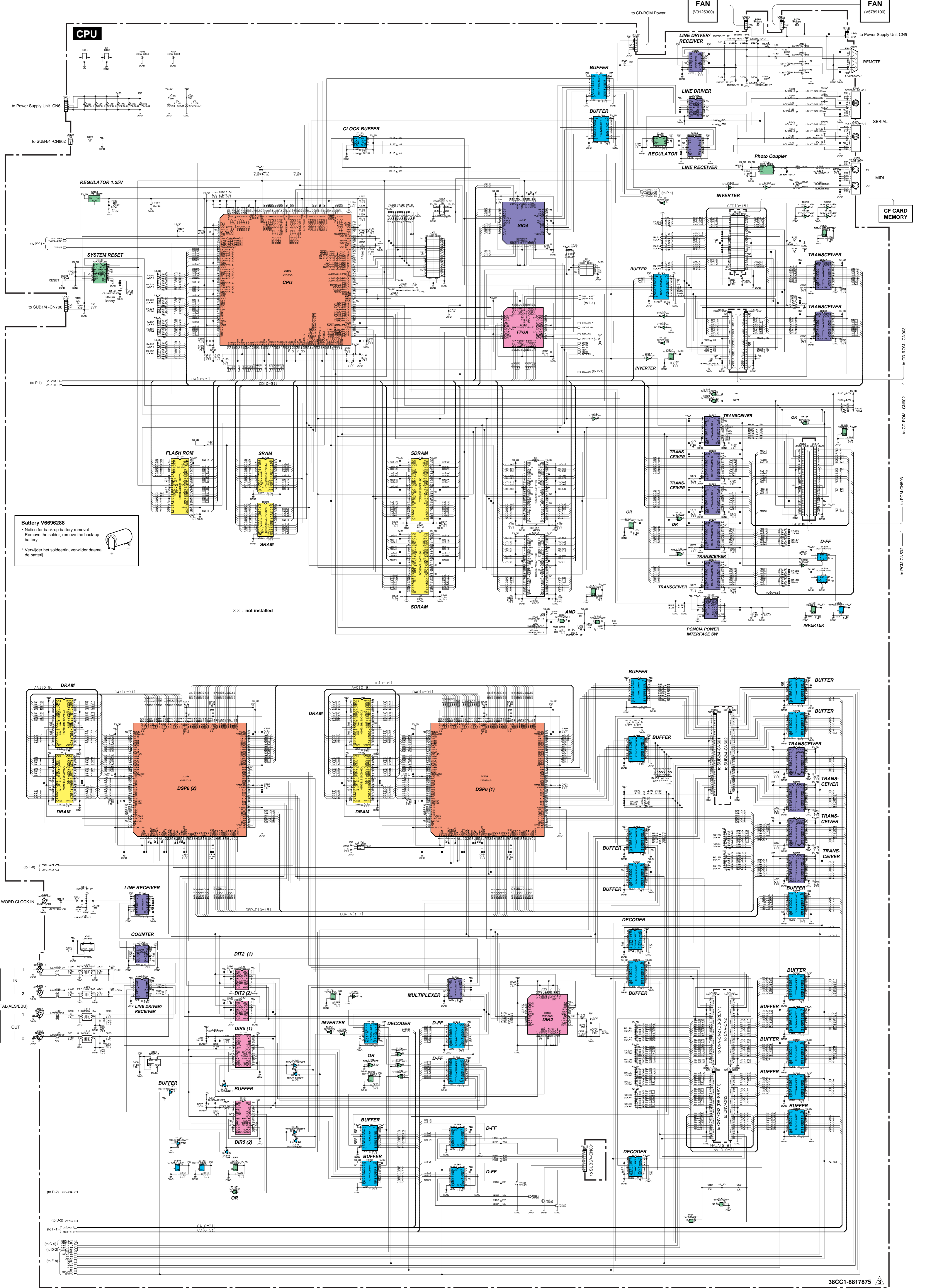
RANK: Japan only

REF NO.	PART NO.	DESCRIPTION		REMARKS	QTY	RANK
R6	RD357100	Carbon Resistor (chip)	10K 63M J			01
-8	RD357100	Carbon Resistor (chip)	10K 63M J			01
R9	RD356100	Carbon Resistor (chip)	1.0K 63M J			01
R10	RD357100	Carbon Resistor (chip)	10K 63M J			01
R11	RD356100	Carbon Resistor (chip)	1.0K 63M J			01
R12	RD357100	Carbon Resistor (chip)	10K 63M J			01
* R14	RD358510	Carbon Resistor (chip)	510K 63M J			01
* R15	RD358510	Carbon Resistor (chip)	510K 63M J			01
R16	RD357100	Carbon Resistor (chip)	10K 63M J			01
R17	RD357100	Carbon Resistor (chip)	10K 63M J			01
R18	RD354330	Carbon Resistor (chip)	33 63M J			01
-21	RD354330	Carbon Resistor (chip)	33 63M J			01
R22	RD357100	Carbon Resistor (chip)	10K 63M J			01
* R24	RD355200	Carbon Resistor (chip)	200 63M J			01
R25	RD355220	Carbon Resistor (chip)	220 63M J			01
R26	RD356300	Carbon Resistor (chip)	3.0K 63M J			01
R27	RD357100	Carbon Resistor (chip)	10K 63M J			01
R34	RD355820	Carbon Resistor (chip)	820 63M J			01
R36	RD355820	Carbon Resistor (chip)	820 63M J			01
-43	RD355820	Carbon Resistor (chip)	820 63M J			01
R44	RD357620	Carbon Resistor (chip)	62K 63M J			01
R45	RD357100	Carbon Resistor (chip)	10K 63M J			01
R46	RD357100	Carbon Resistor (chip)	10K 63M J			01
R47	RD356470	Carbon Resistor (chip)	4.7K 63M J			01
R48	RD354100	Carbon Resistor (chip)	10 63M J			01
-51	RD354100	Carbon Resistor (chip)	10 63M J			01
R52	RD356510	Carbon Resistor (chip)	5.1K 63M J			01
R101	RD357100	Carbon Resistor (chip)	10K 63M J			01
-108	RD357100	Carbon Resistor (chip)	10K 63M J			01
R109	RD356510	Carbon Resistor (chip)	5.1K 63M J			01
-112	RD356510	Carbon Resistor (chip)	5.1K 63M J			01
R113	RD357150	Carbon Resistor (chip)	15K 63M J			01
-116	RD357150	Carbon Resistor (chip)	15K 63M J			01
R117	RD356510	Carbon Resistor (chip)	5.1K 63M J			01
-120	RD356510	Carbon Resistor (chip)	5.1K 63M J			01
R121	VC756300	Metal Oxide Film Resistor	10.0 2W J			01
-124	VC756300	Metal Oxide Film Resistor	10.0 2W J			01
R125	RD355100	Carbon Resistor (chip)	100 63M J			01
-128	RD355100	Carbon Resistor (chip)	100 63M J			01
RA1	RE044330	Resistor Array	33X4			01
-4	RE044330	Resistor Array	33X4			01
RA5	RE047100	Resistor Array	10KX4			01
-12	RE047100	Resistor Array	10KX4			01
△ SW1	V3449700	Switch	SDDJE1-R-1	POWER ON/OFF		03
SW2	VR044000	Push Switch	SKQDAA			01
SW201	VV056000	Tact Switch	SKQNAE025A	BYPASS		01
SW202	VV056000	Tact Switch	SKQNAE025A	PROGRAM		01
SW203	VV056000	Tact Switch	SKQNAE025A	PARAMETER MAIN		01
SW204	VV056000	Tact Switch	SKQNAE025A	PARAMETER FINE		01
SW205	VV056000	Tact Switch	SKQNAE025A	UTILITY		01
SW206	VV056000	Tact Switch	SKQNAE025A	-1/DEC		01
SW207	VV056000	Tact Switch	SKQNAE025A	+1/INC		01
SW208	VV056000	Tact Switch	SKQNAE025A	CURSOR UP		01
SW209	VV056000	Tact Switch	SKQNAE025A	CURSOR LEFT		01
SW210	VV056000	Tact Switch	SKQNAE025A	CURSOR RIGHT		01
SW211	VV056000	Tact Switch	SKQNAE025A	CURSOR DOWN		01
SW212	VV056000	Tact Switch	SKQNAE025A	ENTER		01
TR101	VD303700	Transistor	2SC3326 A,B TE85R			01
-108	VD303700	Transistor	2SC3326 A,B TE85R			01
* VR1	V6630100	Rotary Variable Resistor		LCD BRIGHT		01
* VR2	V6630000	Rotary Variable Resistor		LCD CONT		01
VR101	VZ523400	Slide Pot., Motor Drive	B10K	Fader		08
VR102	VZ523400	Slide Pot., Motor Drive	B10K	Fader		08
VR103	VZ523400	Slide Pot., Motor Drive	B10K	Fader		08
VR104	VZ523400	Slide Pot., Motor Drive	B10K	Fader		08
X1	V3719200	Quartz Crystal Unit	6.7584MHz SMD-49			03
	V5605200	LCD	LM320191			23
△ *	V6627900	Power Inverter Unit	CXA-L0605-VJL			

*: New Parts

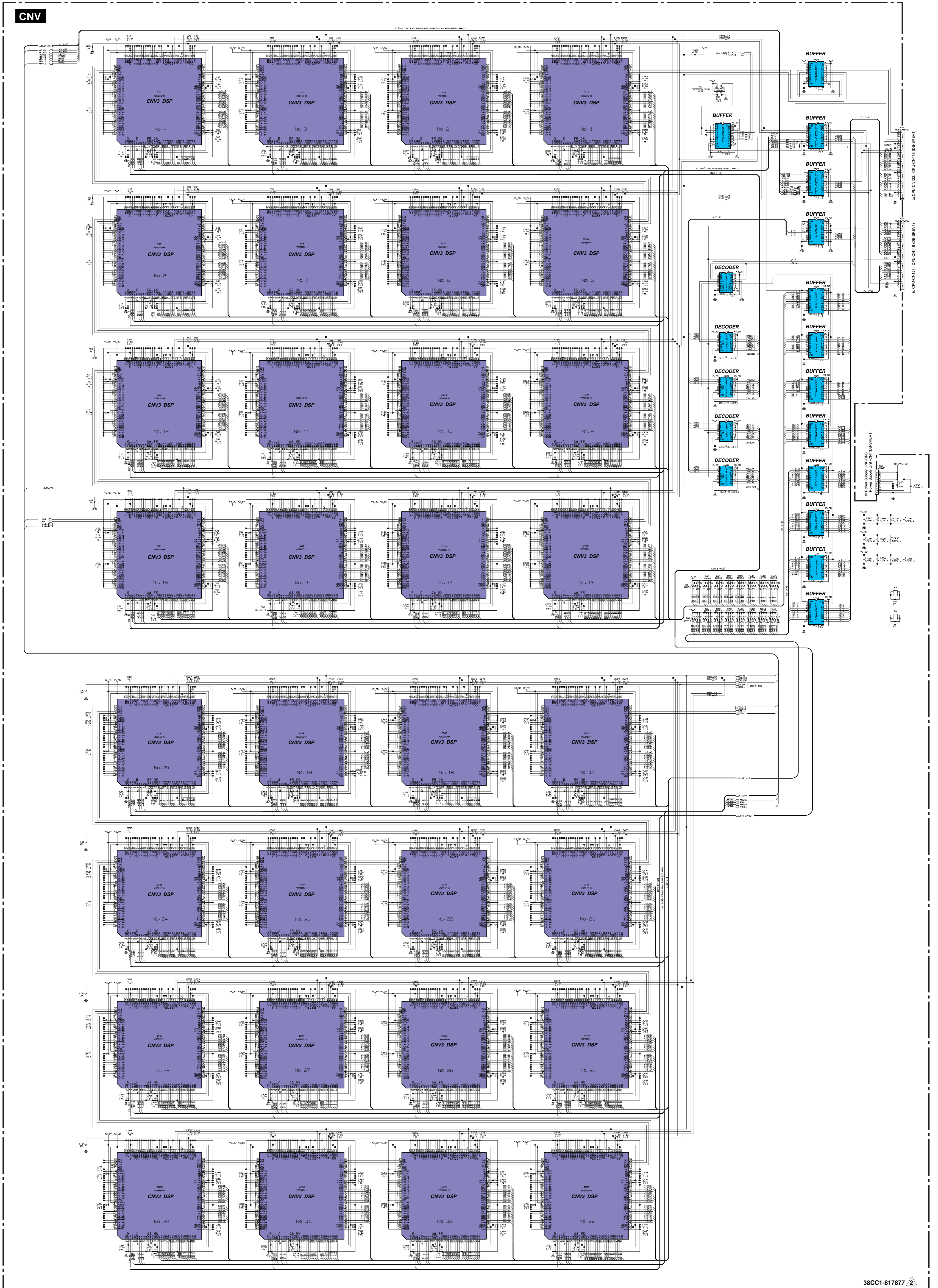
RANK: Japan only

SREV1 OVERALL CIRCUIT DIAGRAM 1/3 (CPU)



⊃ : Ceramic Capacitor
 □ : Metal Oxide Film Resistor

Note : See parts list for details of circuit board component parts

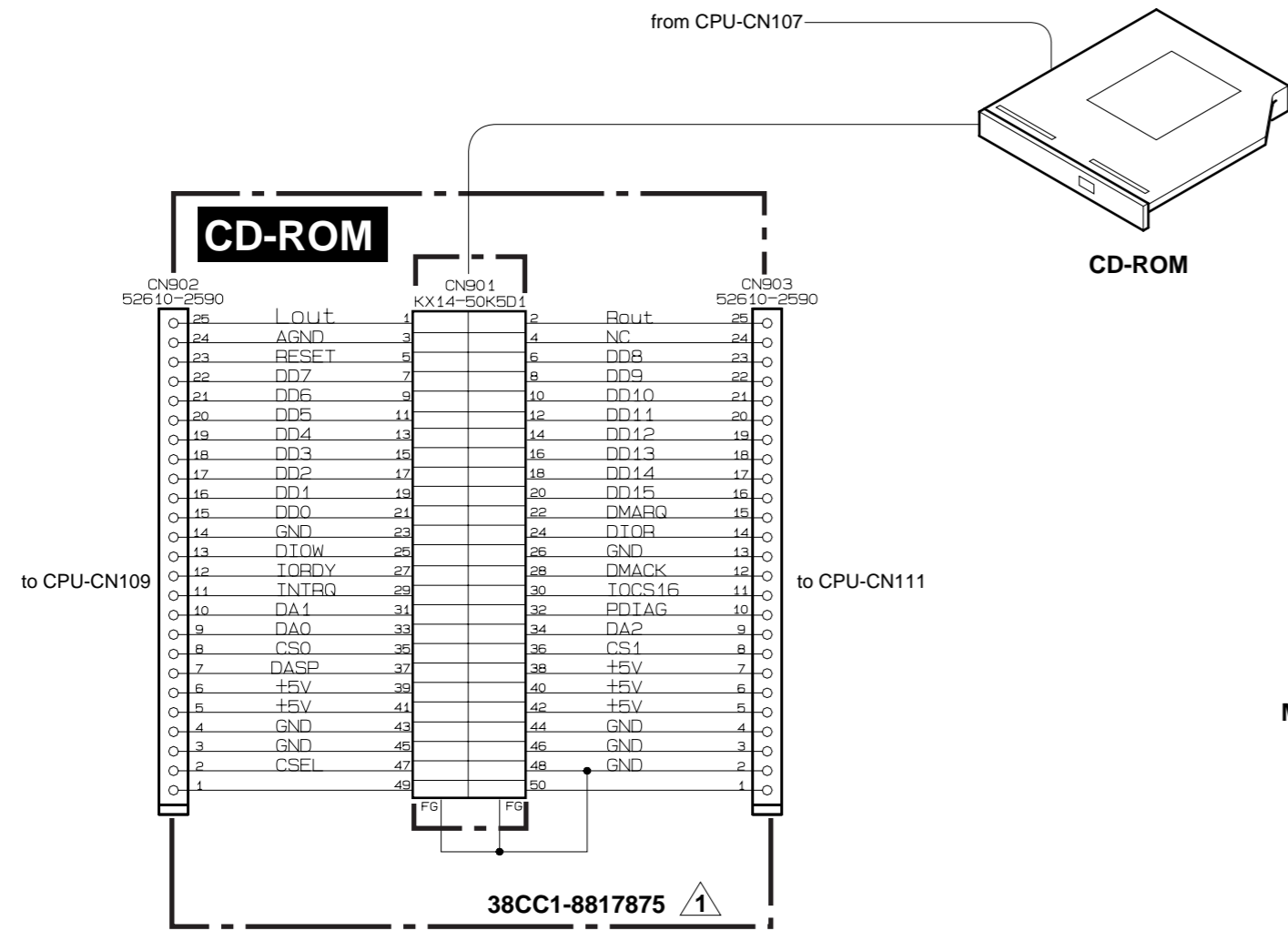


38CC1-817877 / 2

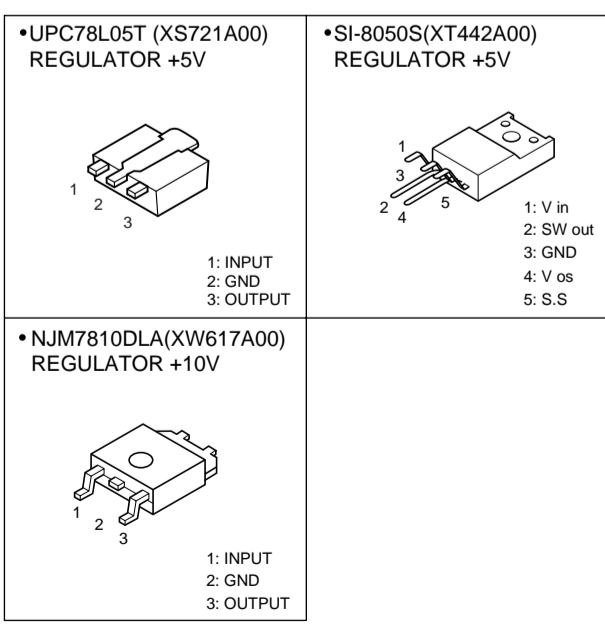
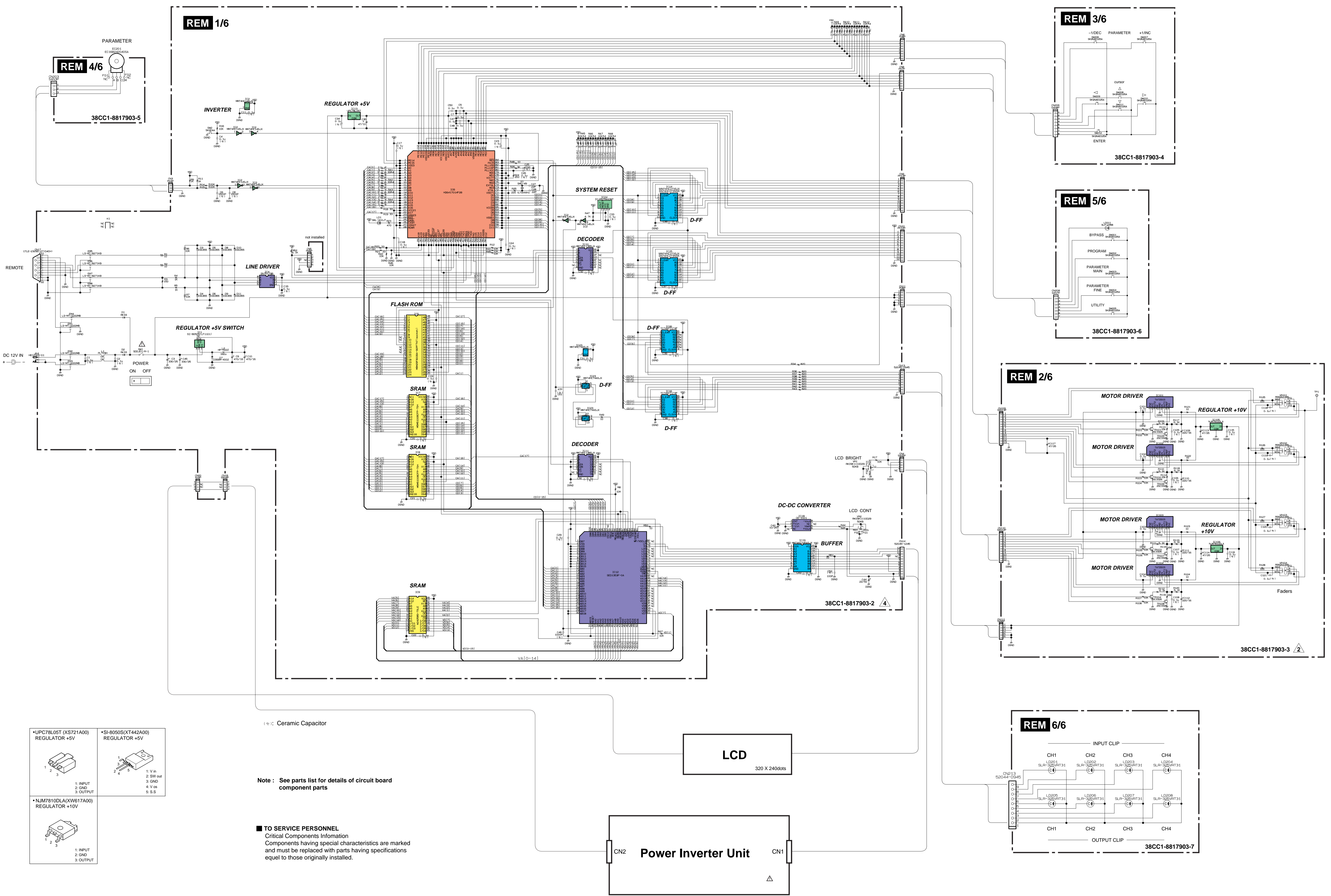
(±): Ceramic Capacitor

Note: See parts list for details of circuit board component parts

■ SREV1 OVERALL CIRCUIT DIAGRAM 3/3 (CD-ROM, PCM, SUB1/4, SUB2/4, SUB3/4, SUB4/4)



RC-SREV1 OVERALL CIRCUIT DIAGRAM (REM1/6, REM2/6, REM3/6, REM4/6, REM5/6, REM6/6)



1: Ceramic Capacitor

Note: See parts list for details of circuit board component parts

■ TO SERVICE PERSONNEL
Critical Components Information
Components having special characteristics are marked and must be replaced with parts having specifications equal to those originally installed.

