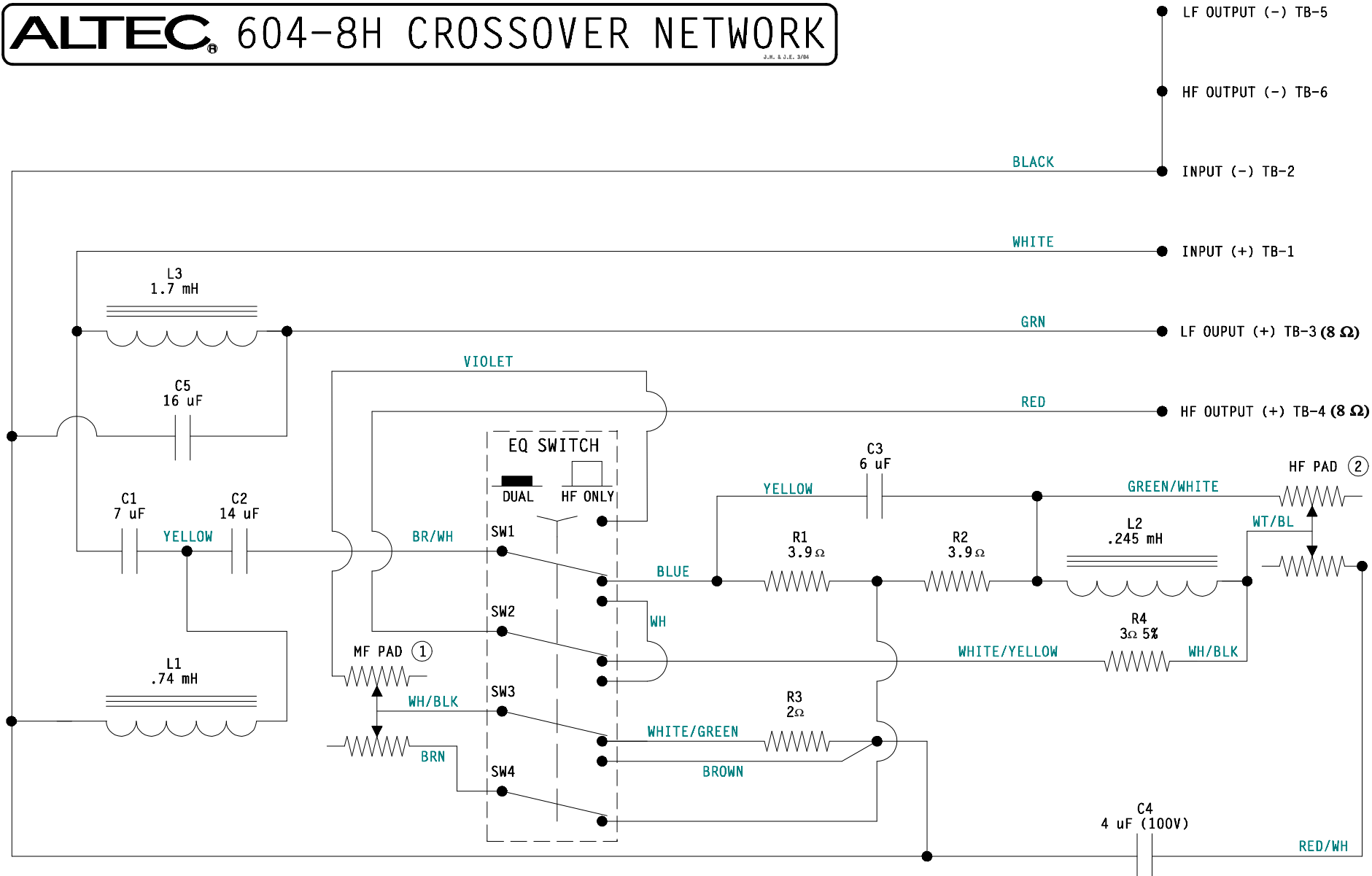


ALTEC® 604-8H CROSSOVER NETWORK

U.S. PAT. 3,176



NOTE: WHEN THE EQ SWITCH IS IN "HF ONLY" POSITION THE MID FREQ. (PAD 1) IS ACTIVE CONTROLLING THE OVERALL HIGH FREQUENCY OUTPUT. SWITCH IS SHOWN IN THE "DUAL" DEPRESSED POSITION.

ALL CAPACITORS - 50V NON-POLARIZED UNLESS NOTED.
ALL RESISTORS - 10 W/10% UNLESS NOTED.