

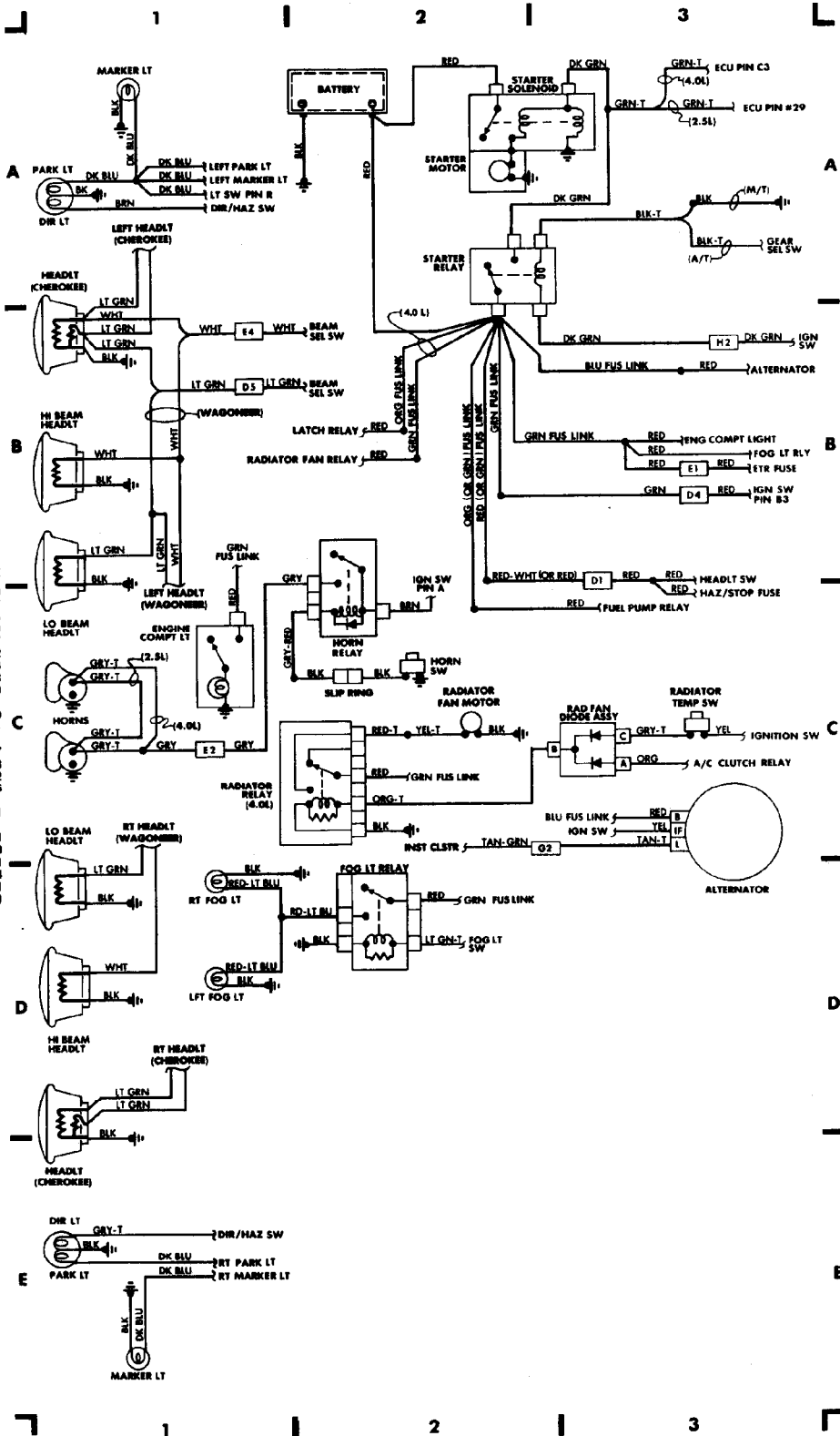
WIRING DIAGRAMS

Fig. 1: Engine Compartment & Headlights
1988 Jeep Cherokee

CDR@WP.PL

COMPONENT LOCATOR:

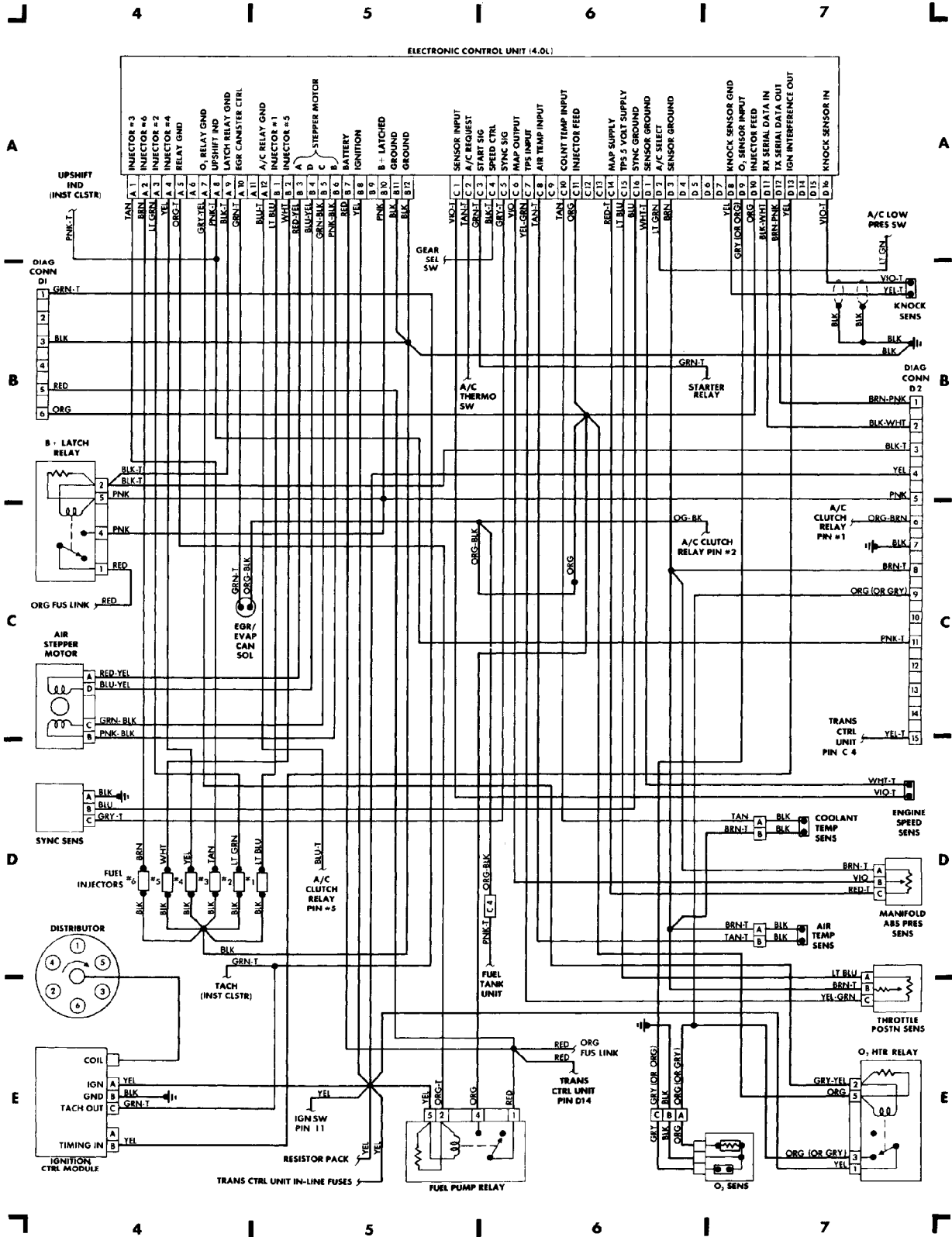
A/C & HTR SYSTEMS	A-D 16-19
ALTERNATOR	C 3
AUDIO ALARM MODULE	D 27
BACK-UP LT SW (M/T)	D 12
BATTERY	A 2
BEAM SEL SW	B 9
BRAKE WARNING SW	C 20
CLOCK	E 27
CLUTCH SWITCH	E 15
COURTESY LIGHTS	C 24-26
CRUISE CTRL SYS	E 12-15
DIAG CONN D1 (2.5L)	B 9
DIAG CONN D1 (4.0L)	B 4
DIAG CONN D2 (2.5L)	B 11
DIAG CONN D2 (4.0L)	B 7
DIR HAZARD SW	D-E 20-21
DOOR SWITCHES	C 27
ELECT CTRL UNIT (2.5L)	A 9-10
ELECT CTRL UNIT (4.0L)	A 4-7
ENGINE COMPARTMENT LT	C 1
FOG LIGHT RELAY	D 2
FOG LIGHT SW	E 21-22
FUEL PUMP RLY (2.5L)	C 9
FUEL PUMP RLY (4.0L)	E 5-8
FUEL TANK UNIT	B 20
FUS LINKS	B 2-3
FUSE BLOCK	B-D 12-15
4WD SWITCH	C 20, D 21
GEAR SEL SW	C 18
GLOVE BOX LIGHT	C 25
HEADLIGHT DELAY MODULE	E 23
HEADLIGHT SWITCH	D 22-23
HORN RELAY	C 2
IGNITION CTRL MOD (2.5L)	B-C 8
IGNITION CTRL MODULE (4.0L)	E 4
IGNITION KEY WARN SW	D 26
IGNITION SWITCH	A 12-15
ILLUM LIGHTS	C-D 24-25
INSTRUMENT CLUSTER	A-C 22-23
KEYLESS ENTRY MODULE	B 24-25
LATCH RLY (B+) (4.0L)	B-C 4
POWER ANTENNA RLY	D-E 27
POWER/COMFORT SW	D 19
POWER DOOR LOCK SYS	A-C 24-27
POWER MIRROR SW	D-E 24-25
POWER SEAT SW	A-B 28-29
POWER WINDOW SYS	A-C 24-27
RADIATOR FAN RLY (4.0L)	C 1-2
RADIATOR FAN DIODE ASSY	C 3
RADIATOR TEMP SWITCH	C 3
REAR DEFOGGER UNIT	D 28-29
REAR WIPER/WASHER UNIT	B-C 29-30
RESISTOR PACK	E 21
RT FNT DOOR LOCK/WINDOW SWITCH	B 26-27
STARTER SOLENOID	A 2-3
STARTER SOLENOID RELAY	A 2
STOP LIGHT SWITCH	E 15
TRAILER TOWING HARNESS (CHEROKEE)	E 28-31
TRAILER TOWING HARNESS (WAGONEER)	A 28-31
TRANS CTRL UNIT	D-E 16-19
UPSHIFT SW (2.5L)	D-E 16-19
VANITY LIGHTS	C 21
WASHER FLUID LEVEL SW	D 11
WIPER/WASHER SYSTEM	D-E 8-11



WIRING DIAGRAMS

Fig. 2: Computer Engine Control (6-Cyl) (p. 2)

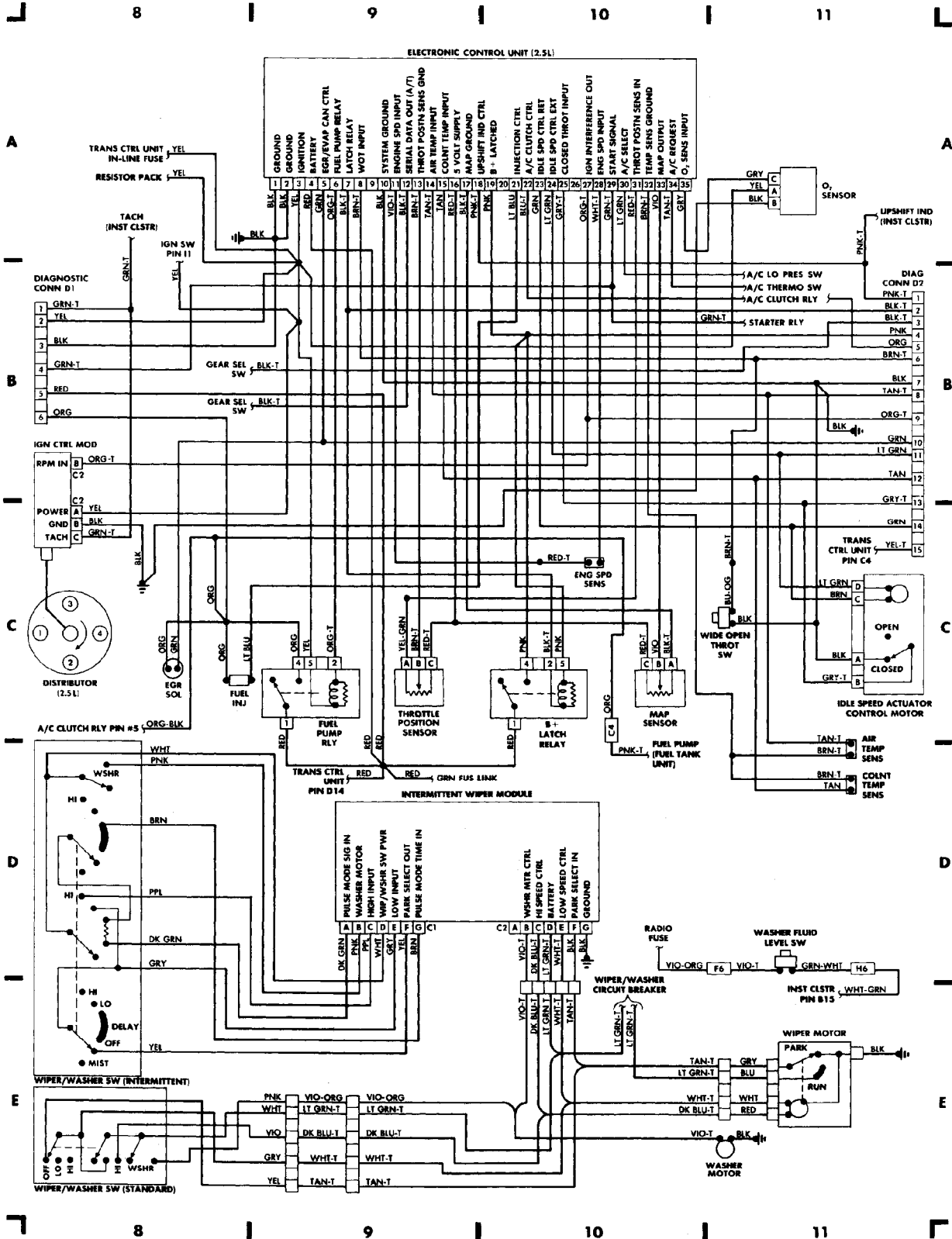
1988 Jeep Cherokee



WIRING DIAGRAMS

Fig. 3: Computer Engine Control (4-Cyl) (p. 3)

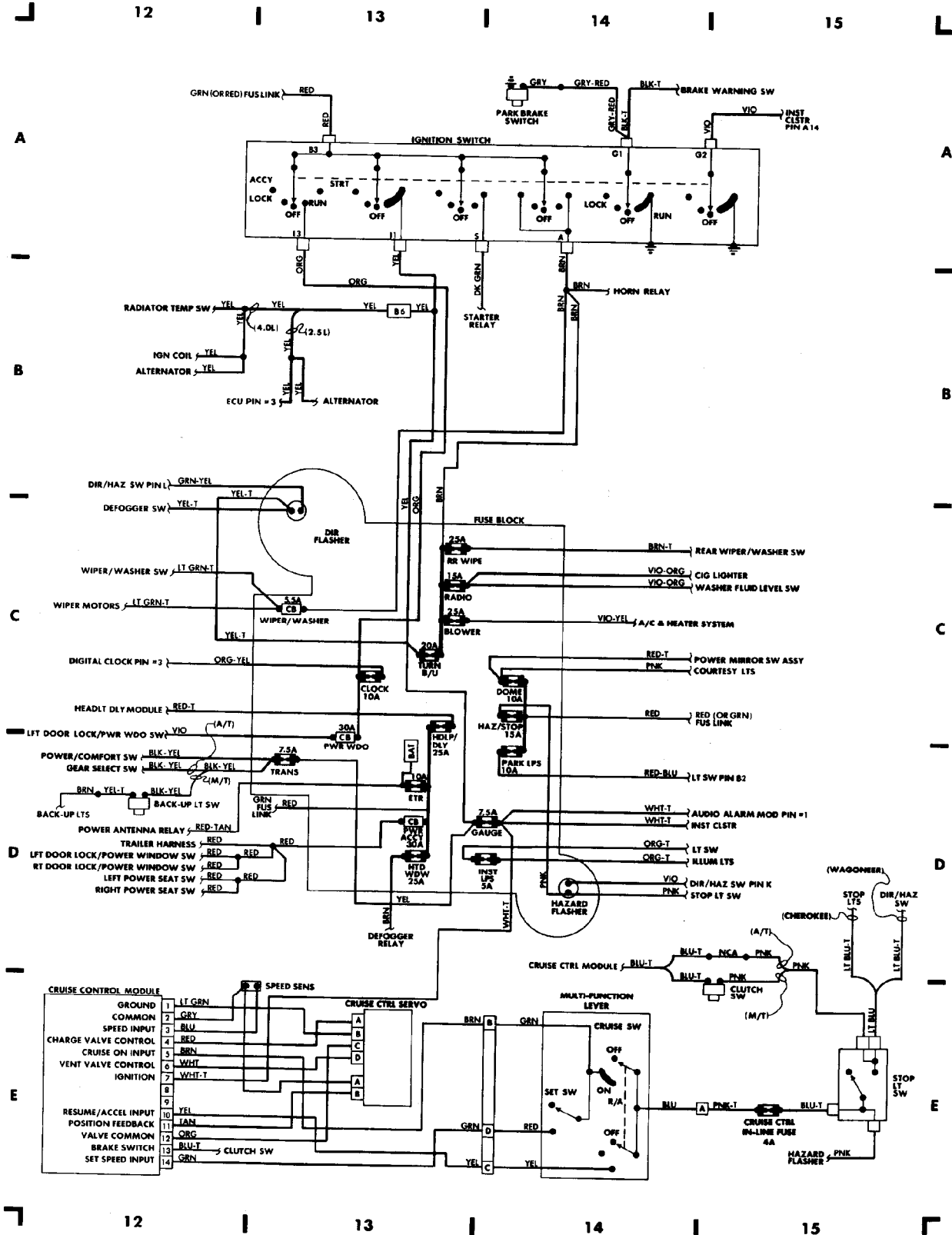
1988 Jeep Cherokee



WIRING DIAGRAMS

Fig. 4: Fuse Block (p. 4)

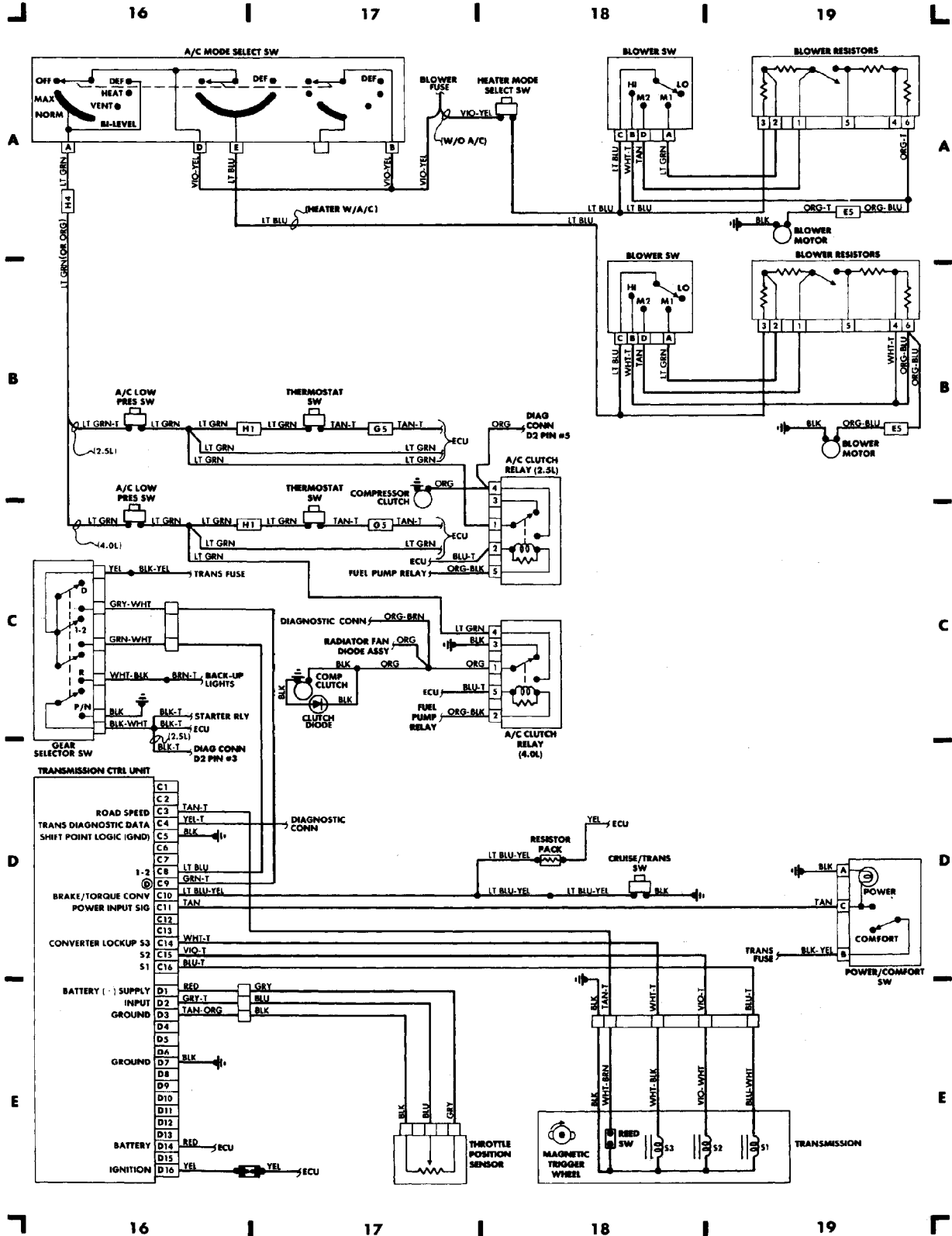
1988 Jeep Cherokee



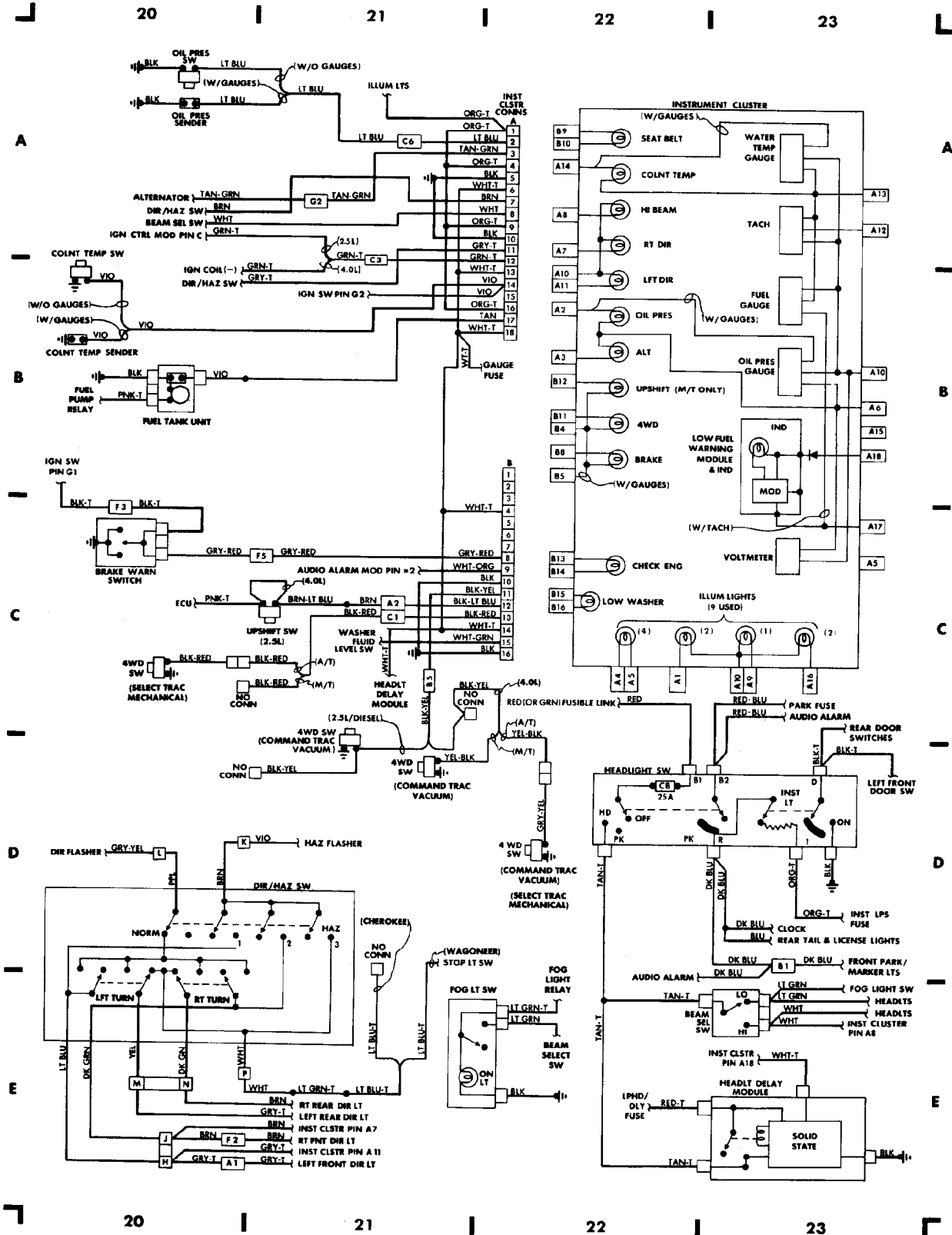
WIRING DIAGRAMS

Fig. 5: A/C Heating System (p. 5)

1988 Jeep Cherokee



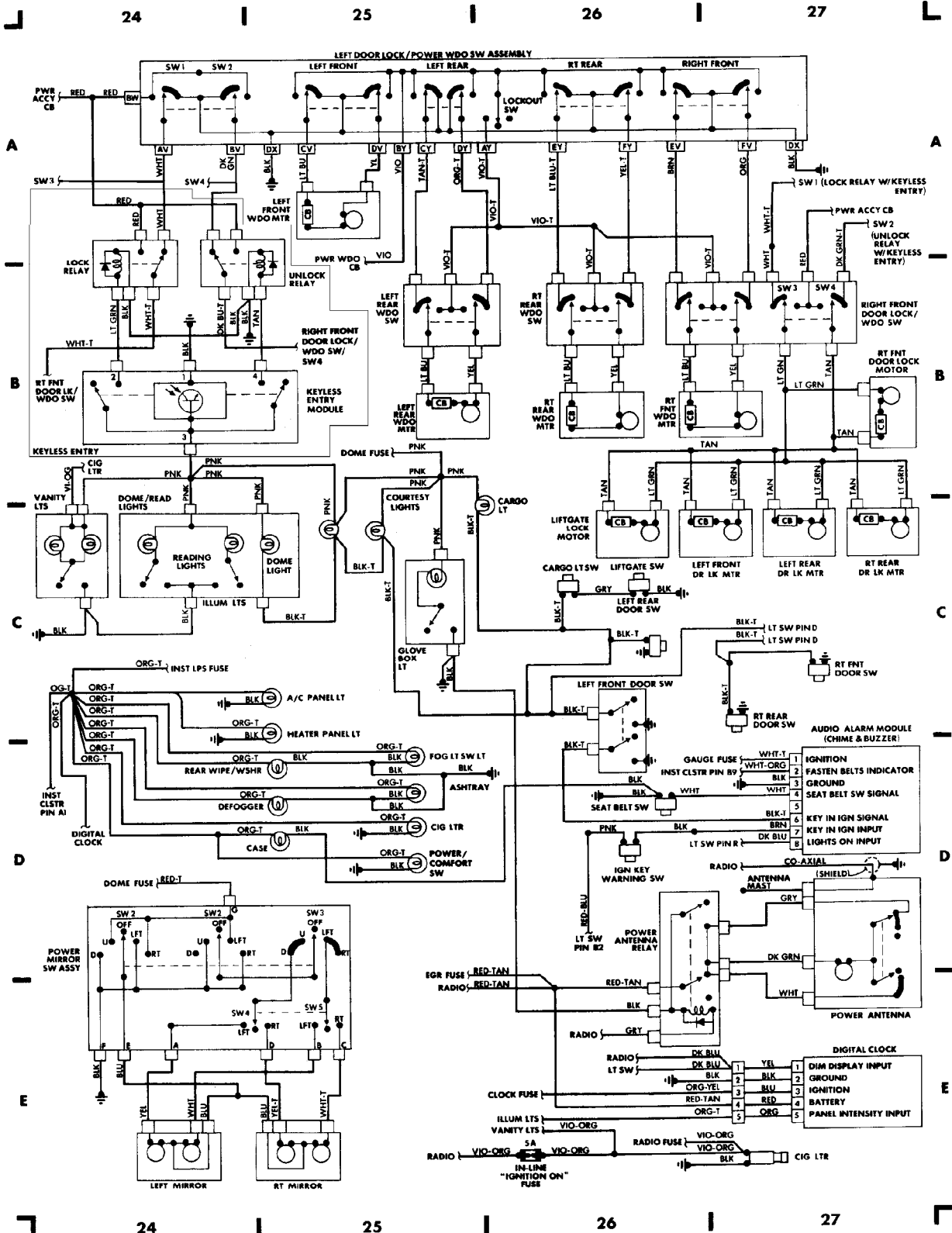
WIRING DIAGRAMS
Fig. 6: Instrument Panel (1 of 2) (p. 6)
 1988 Jeep Cherokee



WIRING DIAGRAMS

Fig. 7: Instrument Panel (2 of 2) (p. 7)

1988 Jeep Cherokee



WIRING DIAGRAMS

Fig. 8: Passenger Compartment & Tail Lights (p. 8)

1988 Jeep Cherokee

