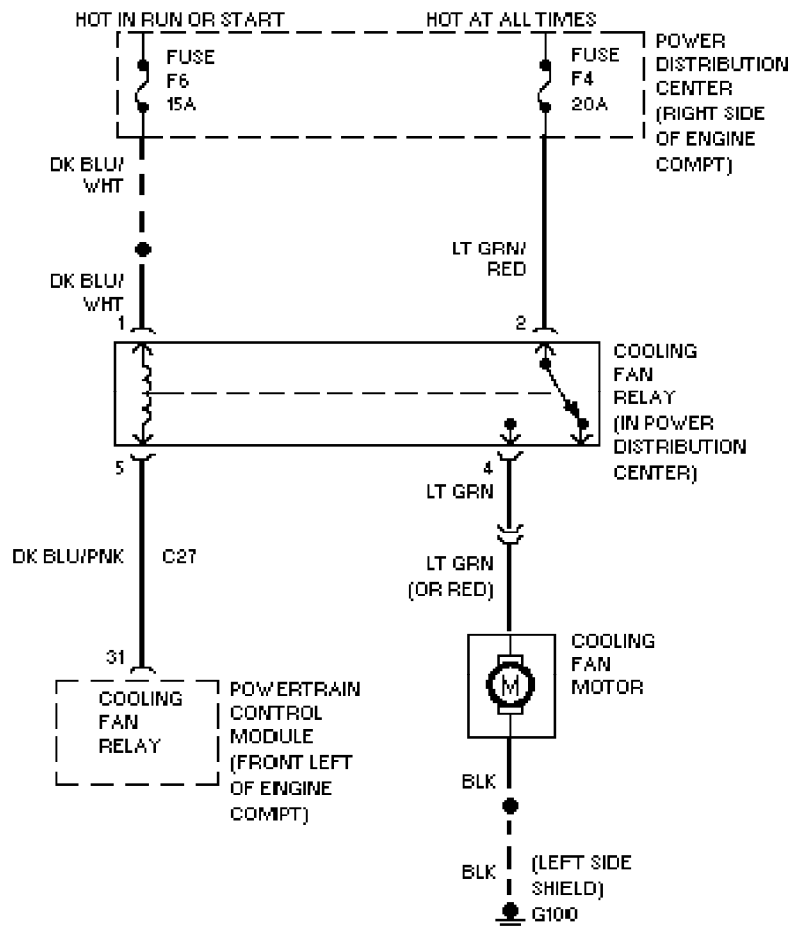


# SYSTEM WIRING DIAGRAMS

## Cooling Fan Circuit

1992 Jeep Cherokee

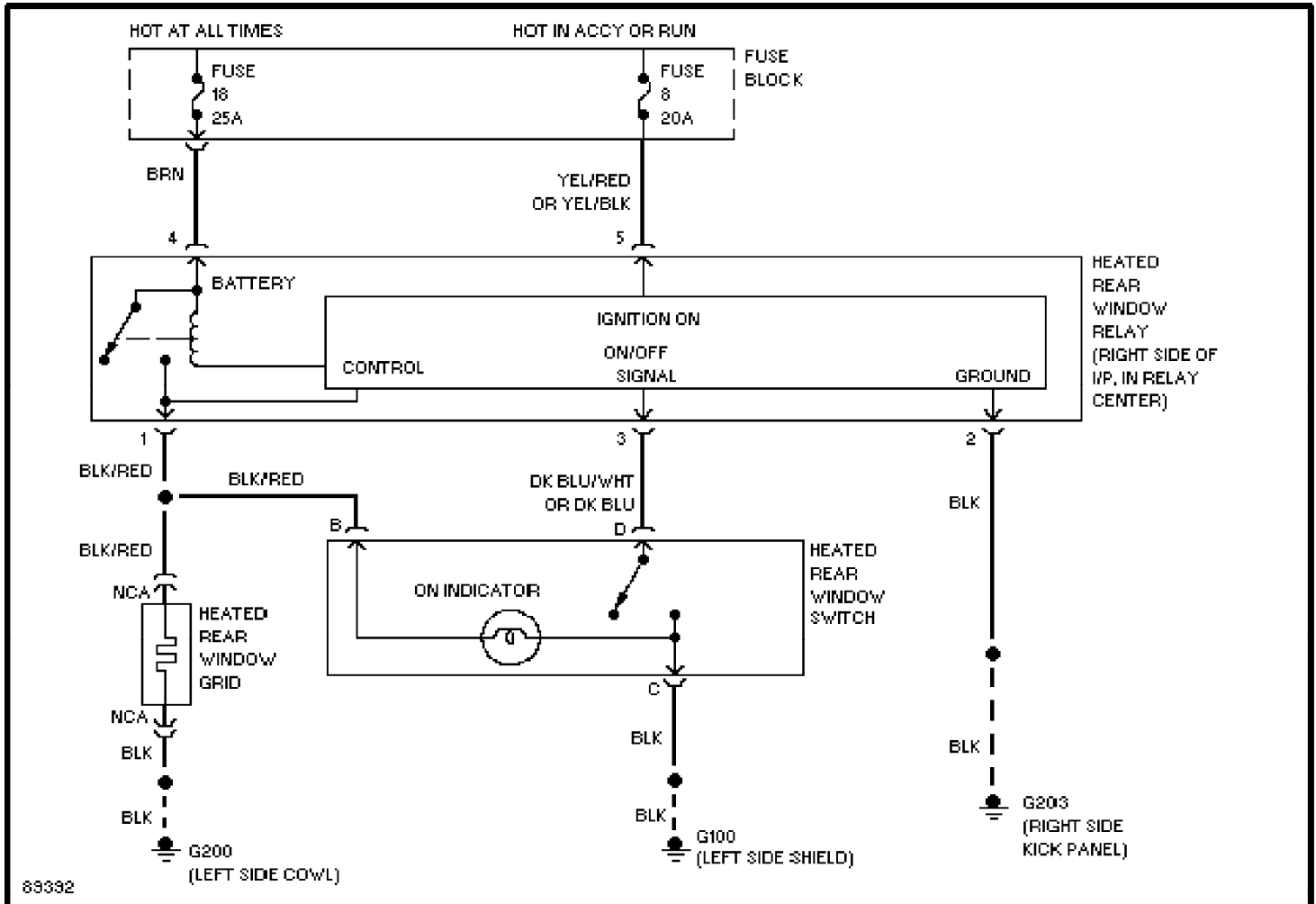
CDR@WP.PL



# SYSTEM WIRING DIAGRAMS

## Defogger Circuit (p. 2)

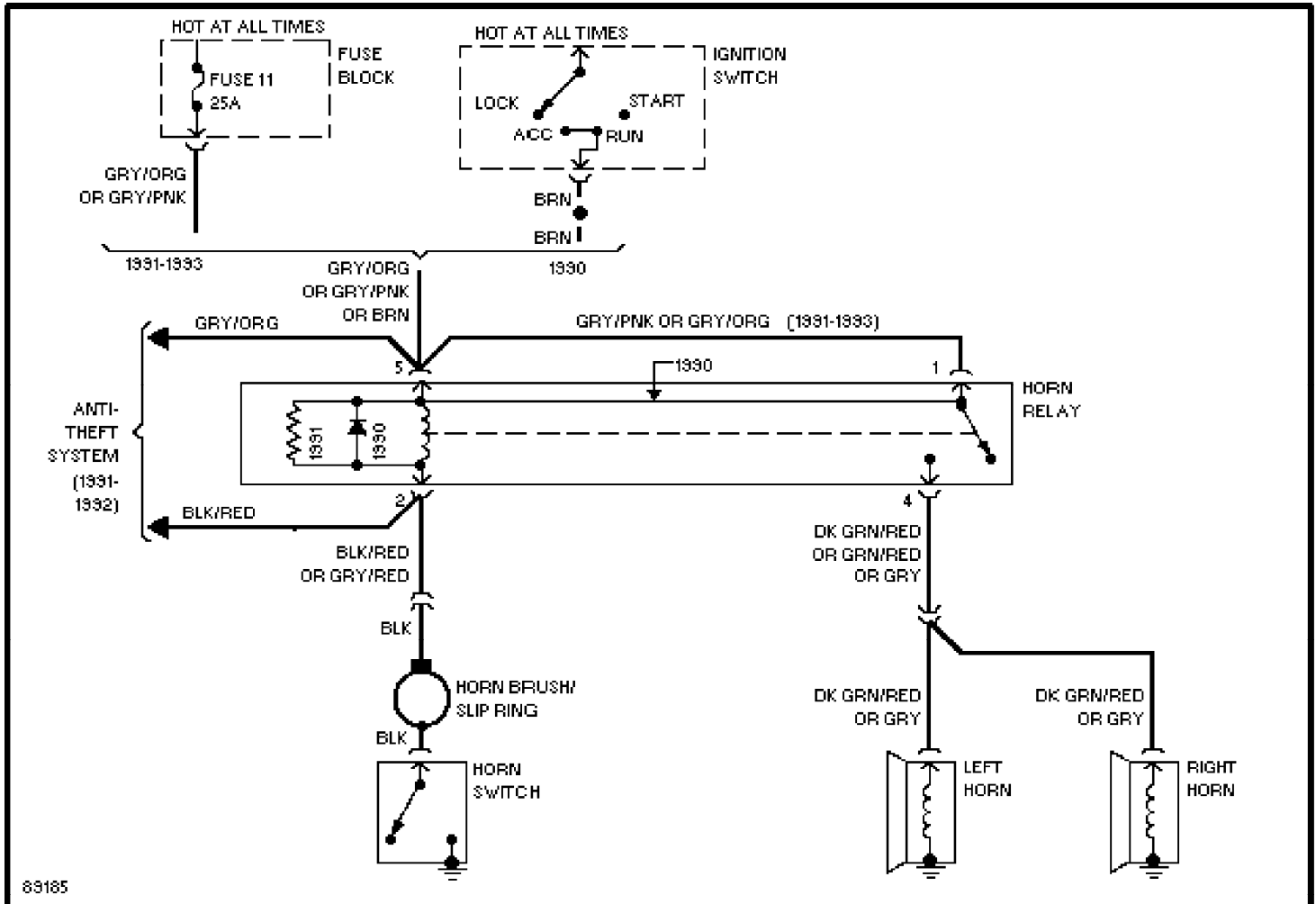
1992 Jeep Cherokee



# SYSTEM WIRING DIAGRAMS

## Horn Circuit (p. 3)

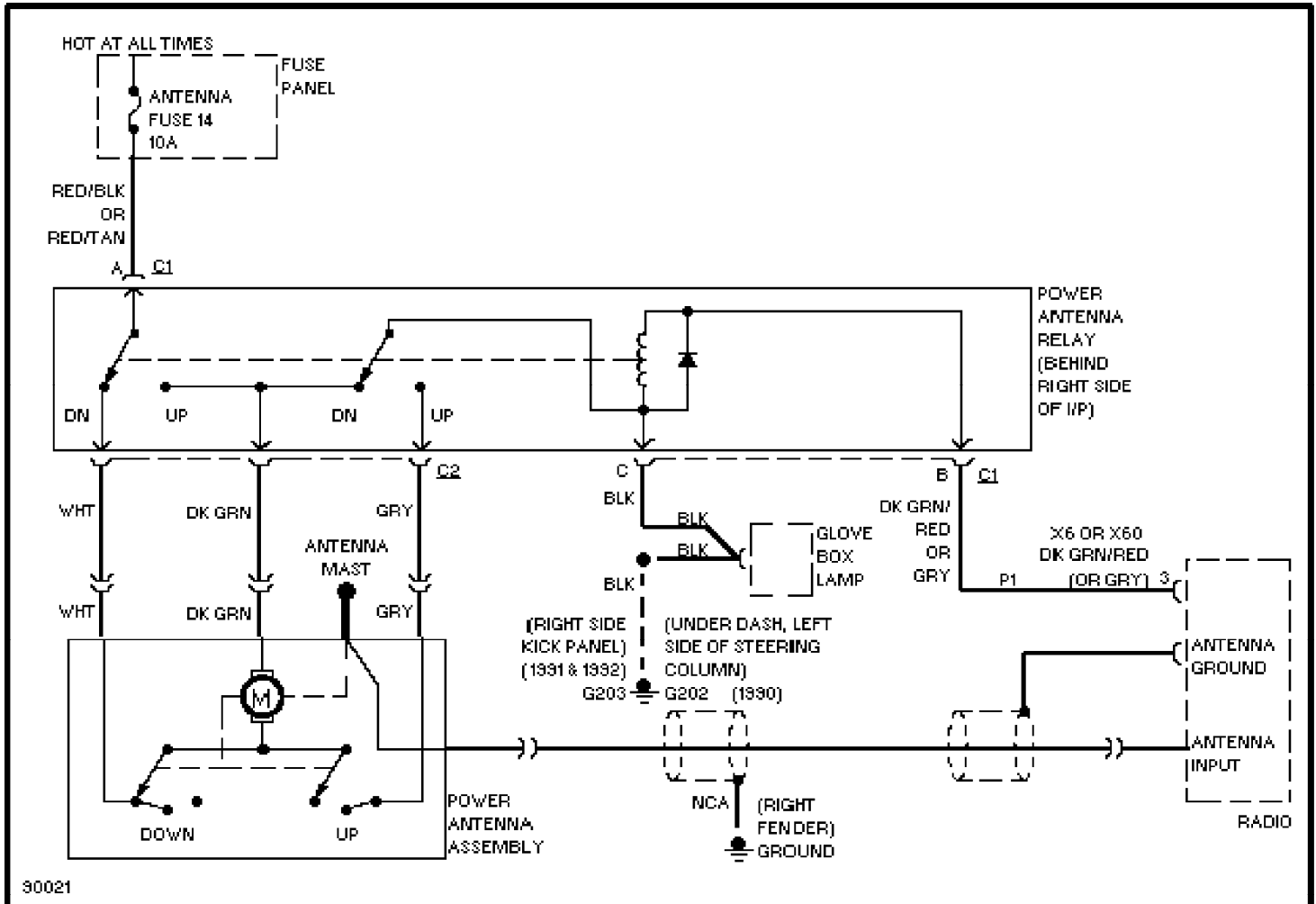
1992 Jeep Cherokee



# SYSTEM WIRING DIAGRAMS

## Power Antenna Circuit (p. 4)

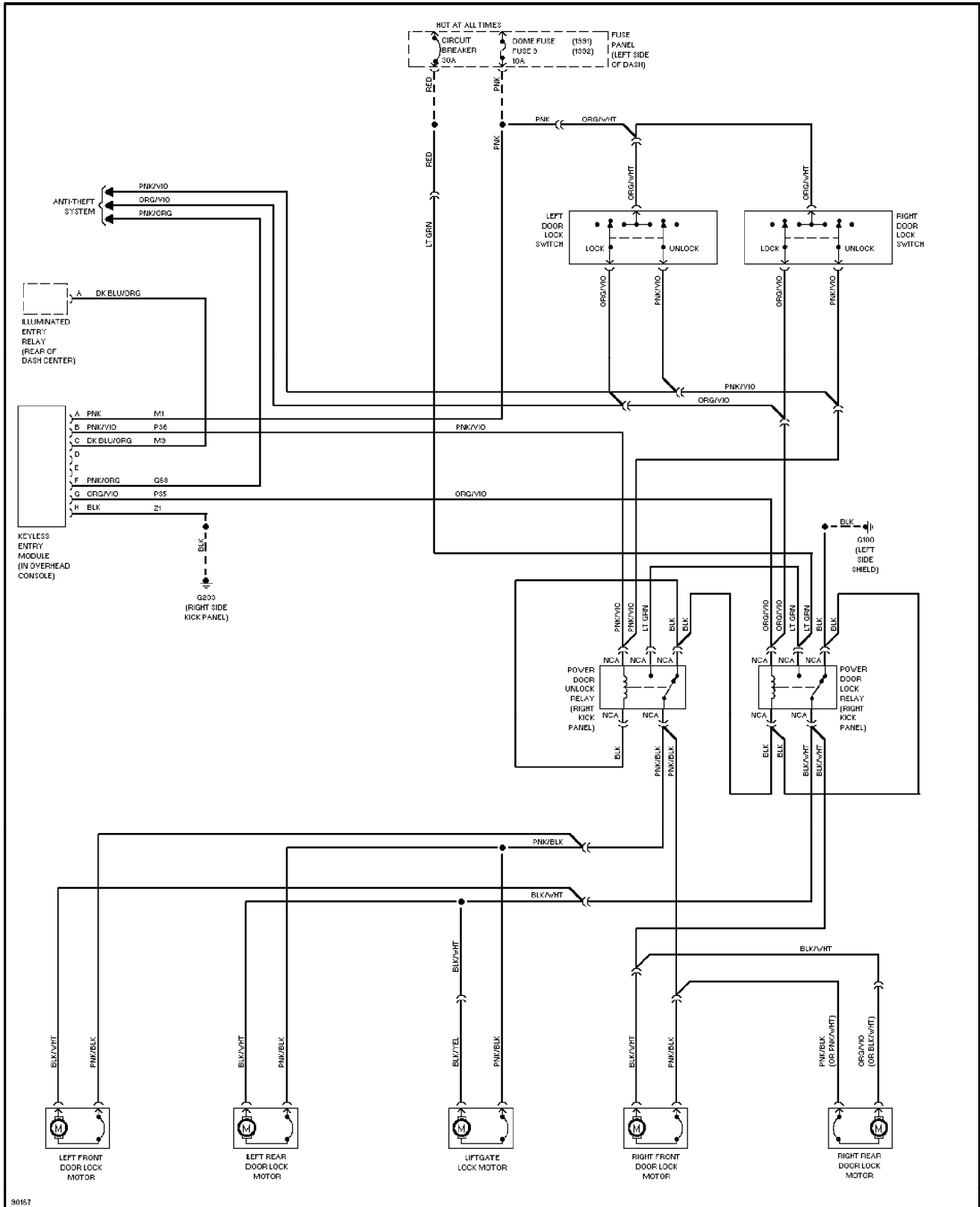
1992 Jeep Cherokee



# SYSTEM WIRING DIAGRAMS

## Power Door Lock Circuit (p. 5)

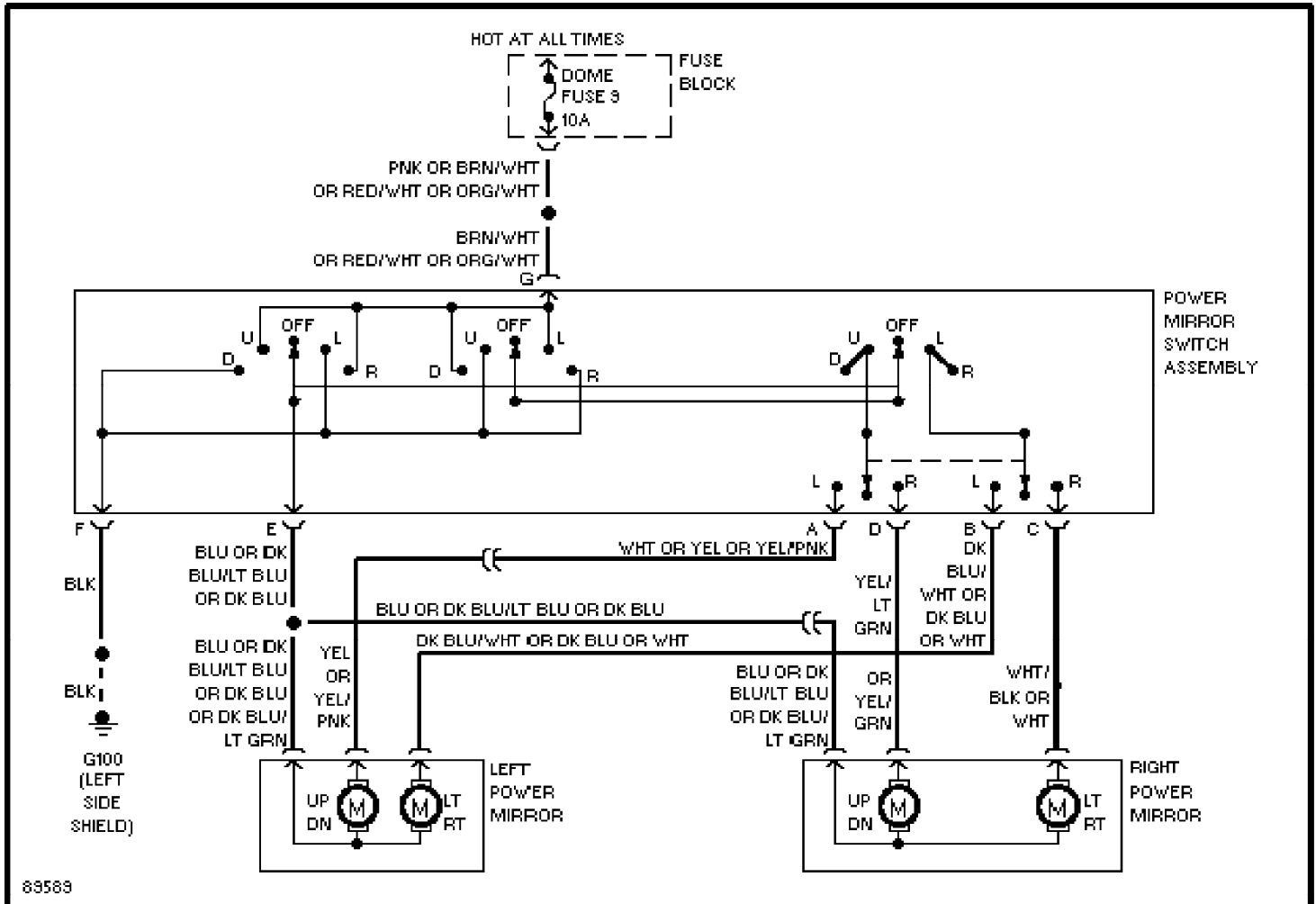
1992 Jeep Cherokee



# SYSTEM WIRING DIAGRAMS

## Power Mirror Circuit (p. 6)

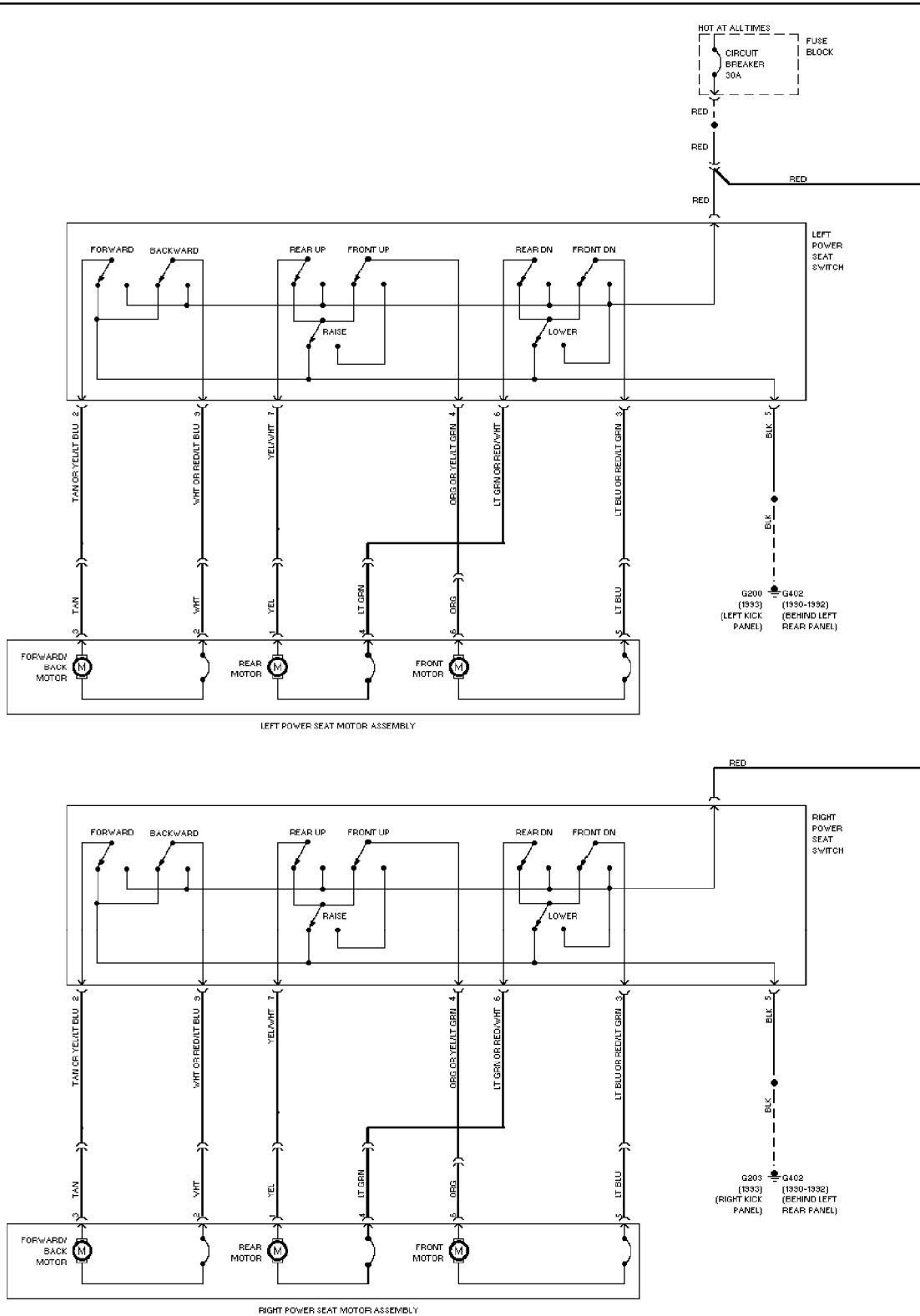
1992 Jeep Cherokee



# SYSTEM WIRING DIAGRAMS

## Power Seats Circuit (p. 7)

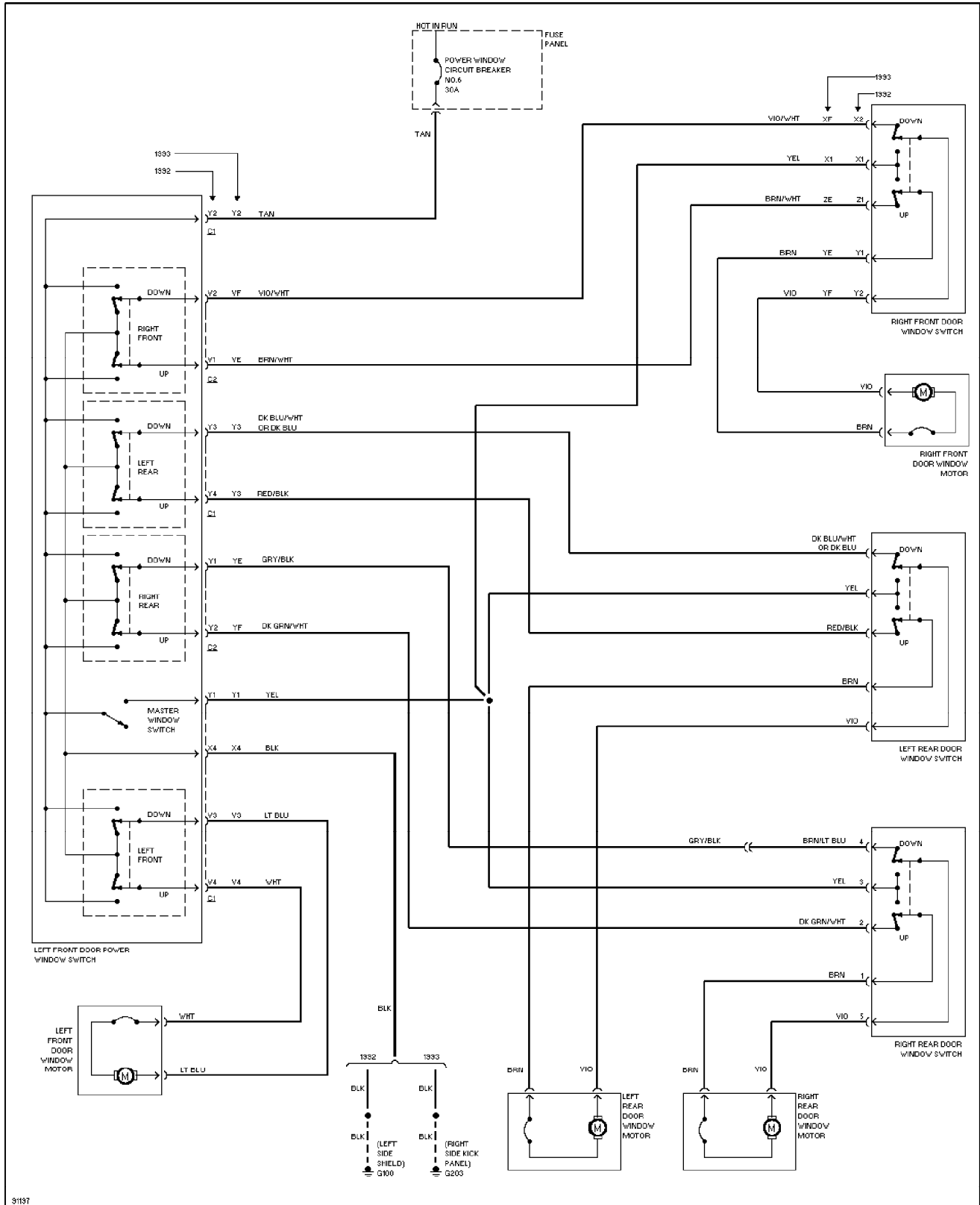
1992 Jeep Cherokee



# SYSTEM WIRING DIAGRAMS

## Power Window Circuit (p. 8)

1992 Jeep Cherokee

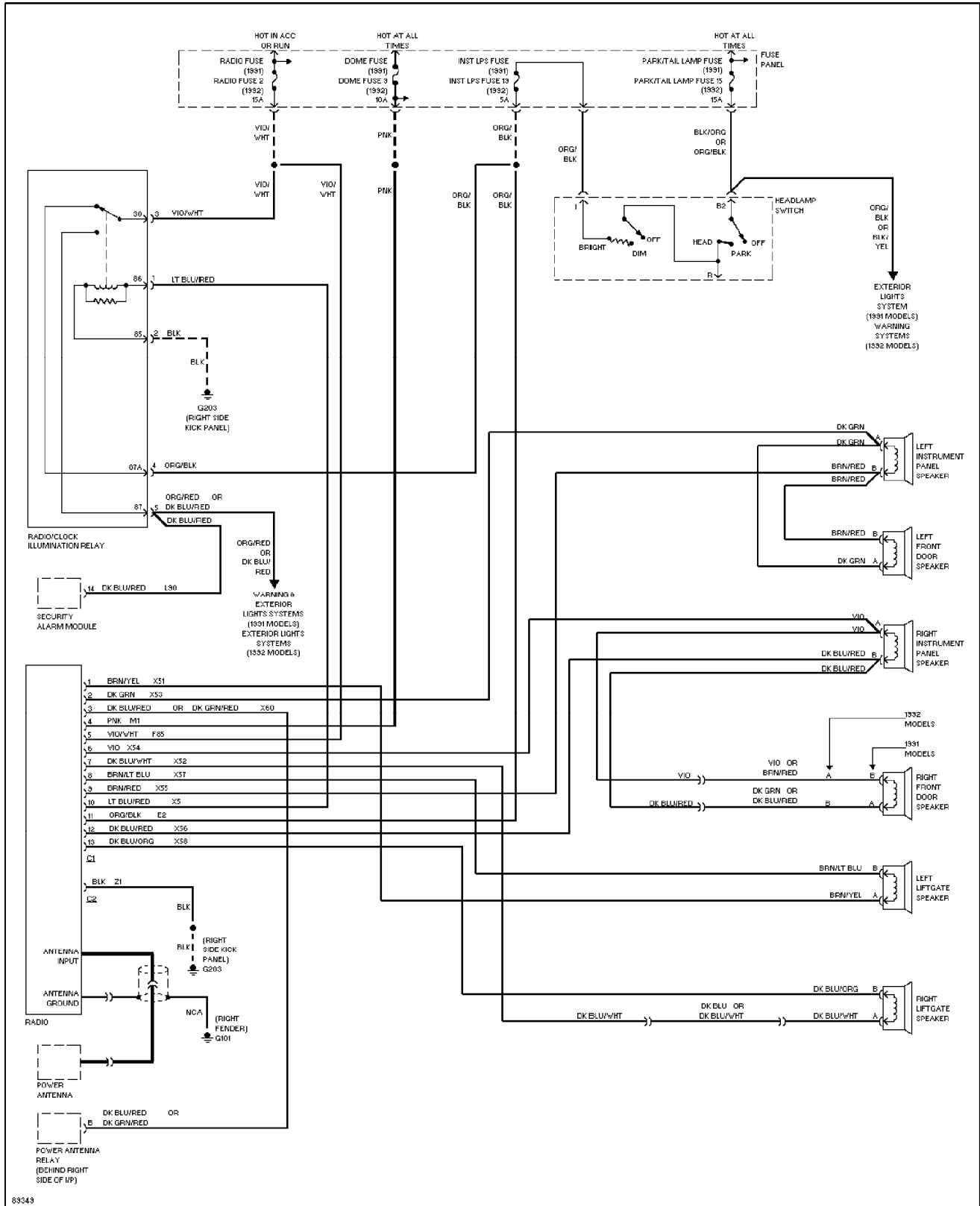




# SYSTEM WIRING DIAGRAMS

## Radio Circuits (p. 9)

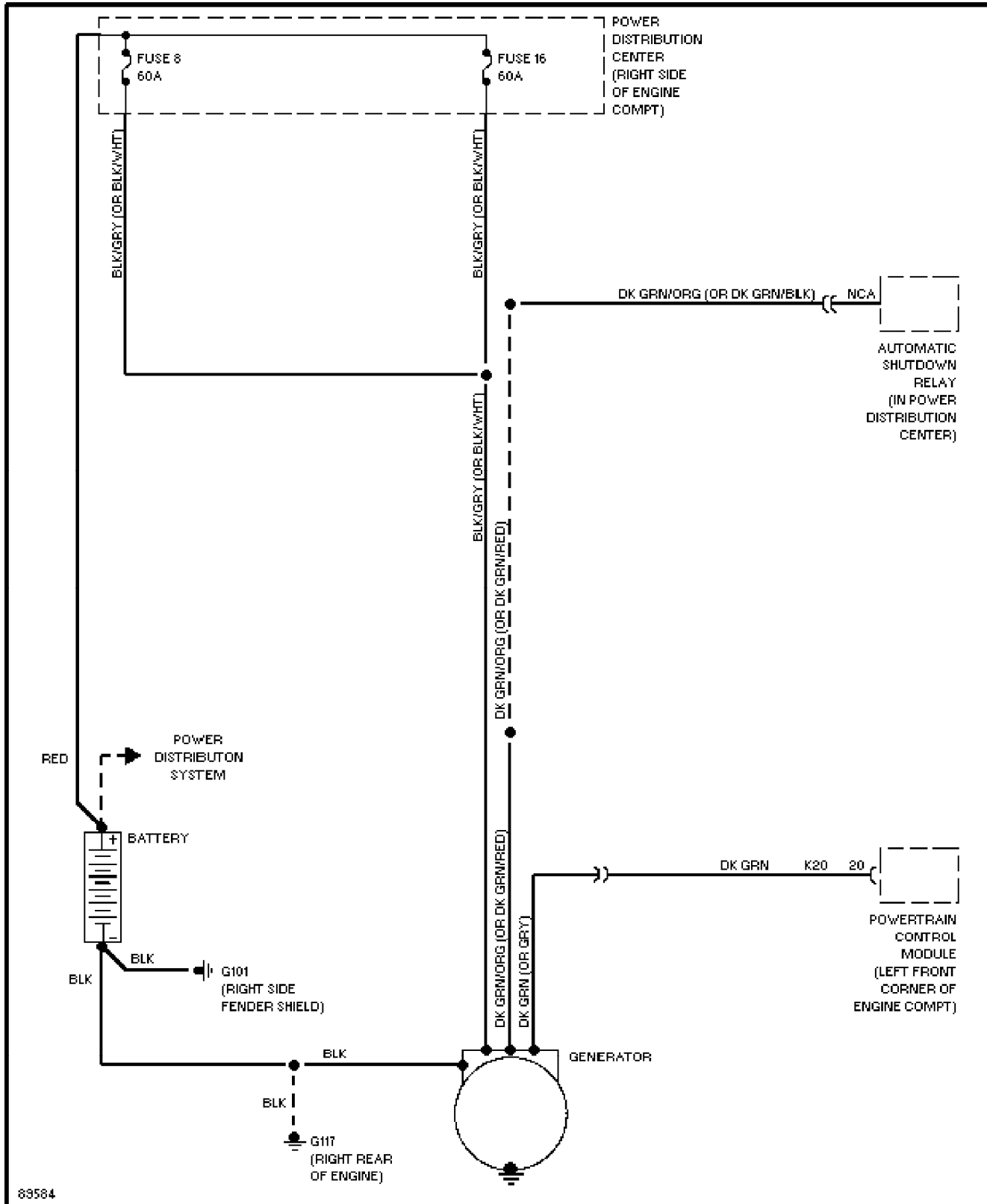
1992 Jeep Cherokee



# SYSTEM WIRING DIAGRAMS

## Charging Circuit (p. 10)

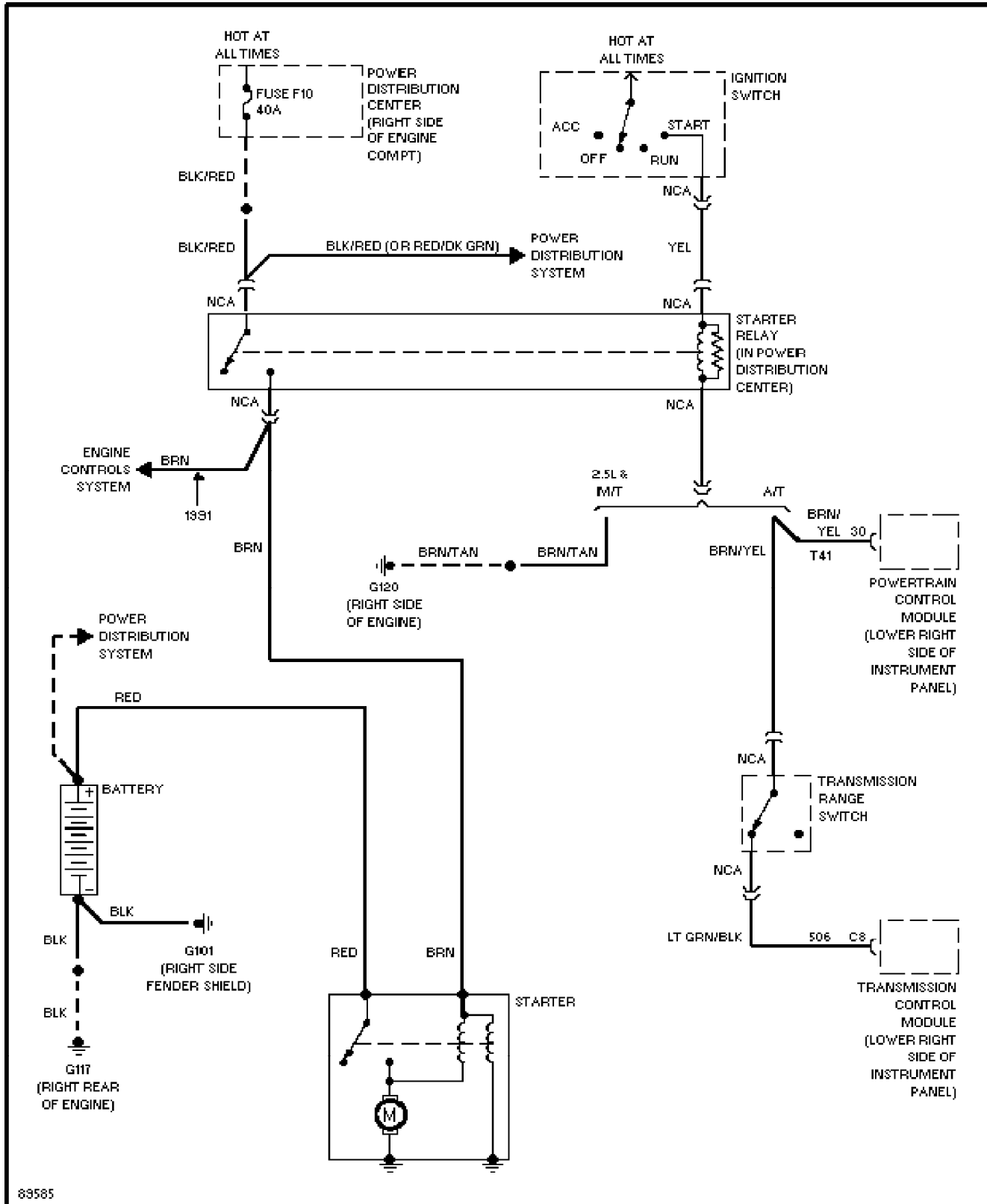
1992 Jeep Cherokee



# SYSTEM WIRING DIAGRAMS

## Starting Circuit (p. 11)

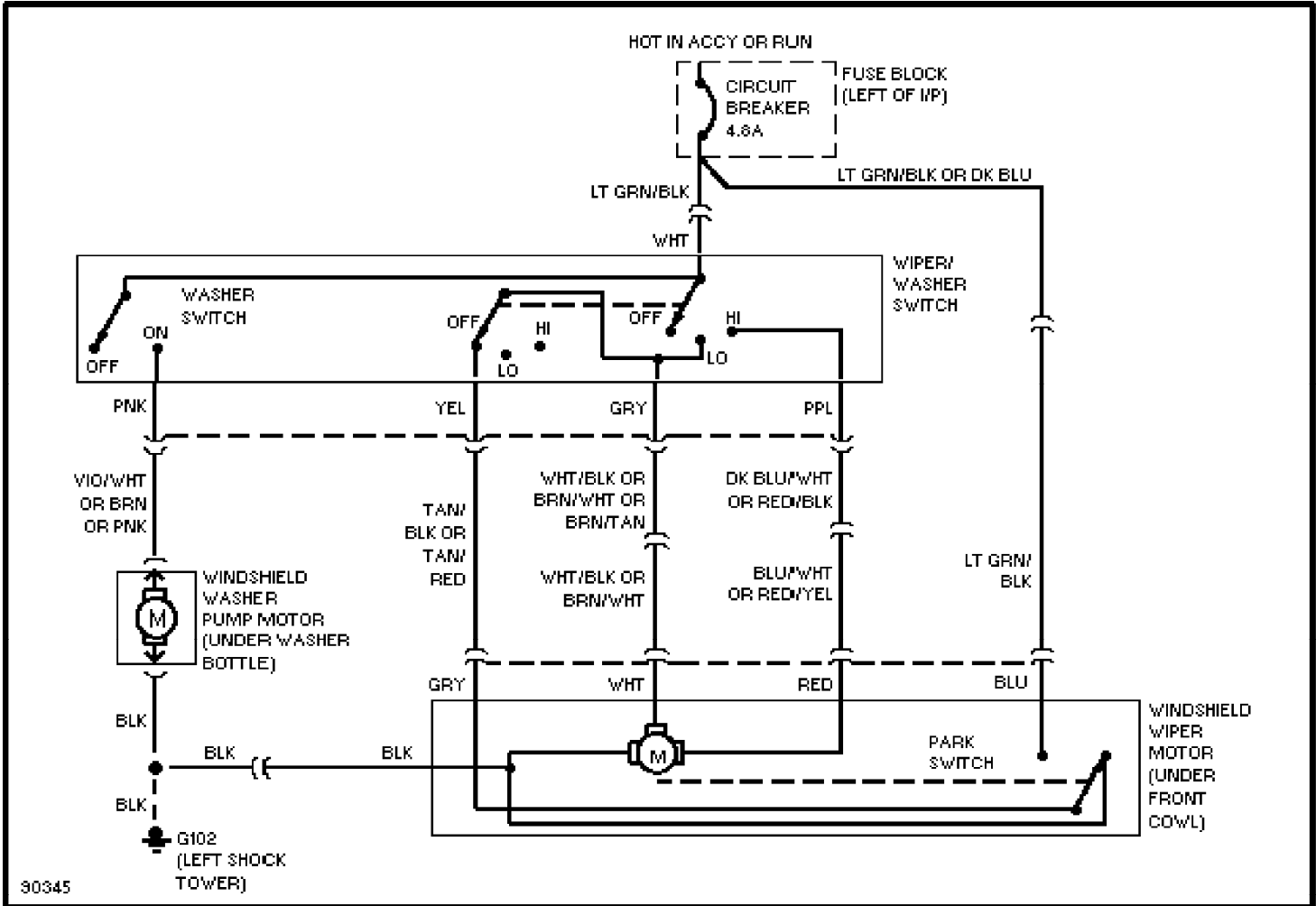
1992 Jeep Cherokee



# SYSTEM WIRING DIAGRAMS

## 2-Speed Wiper/Washer Circuit (p. 12)

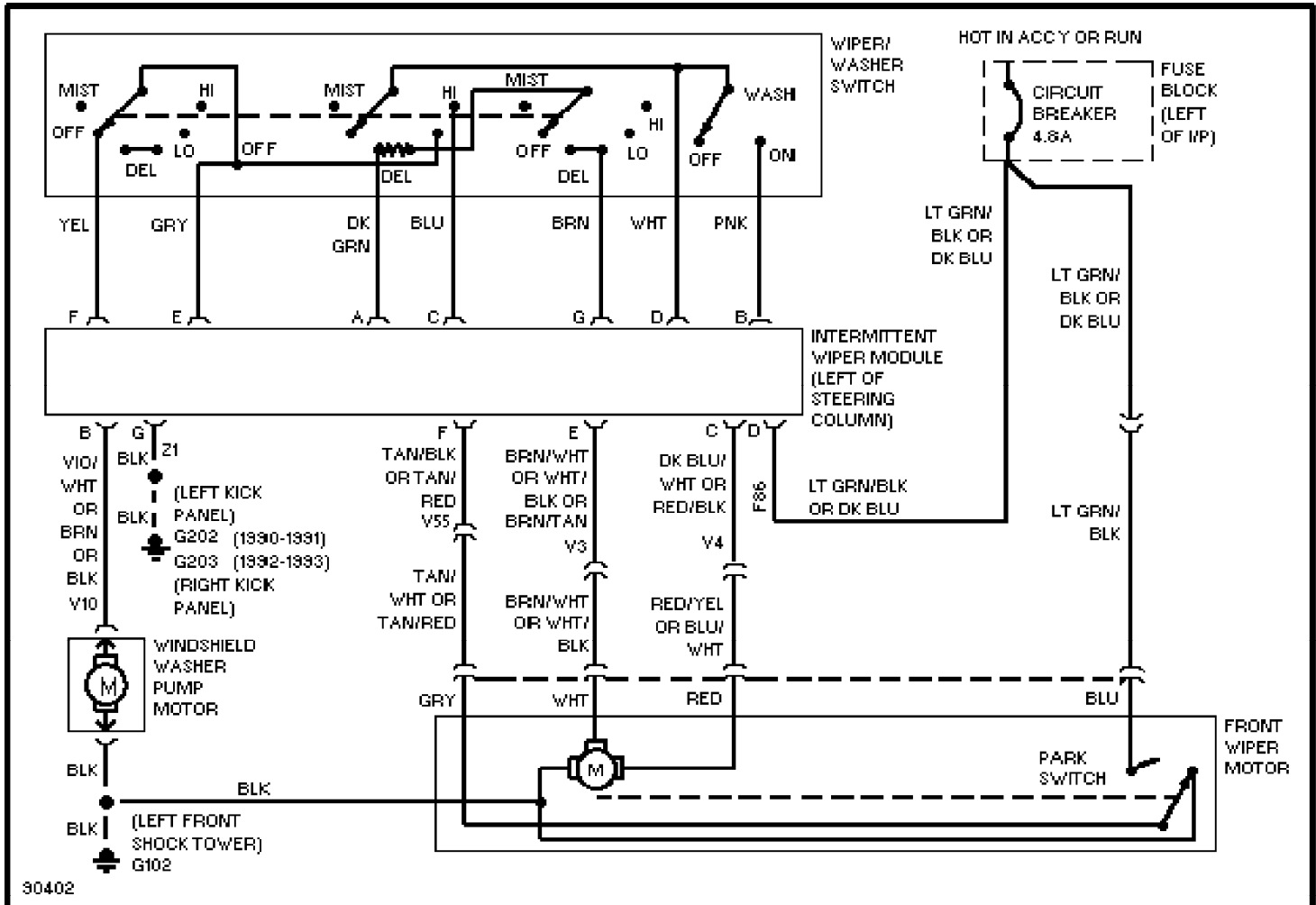
1992 Jeep Cherokee



# SYSTEM WIRING DIAGRAMS

## Interval Wiper/Washer Circuit (p. 13)

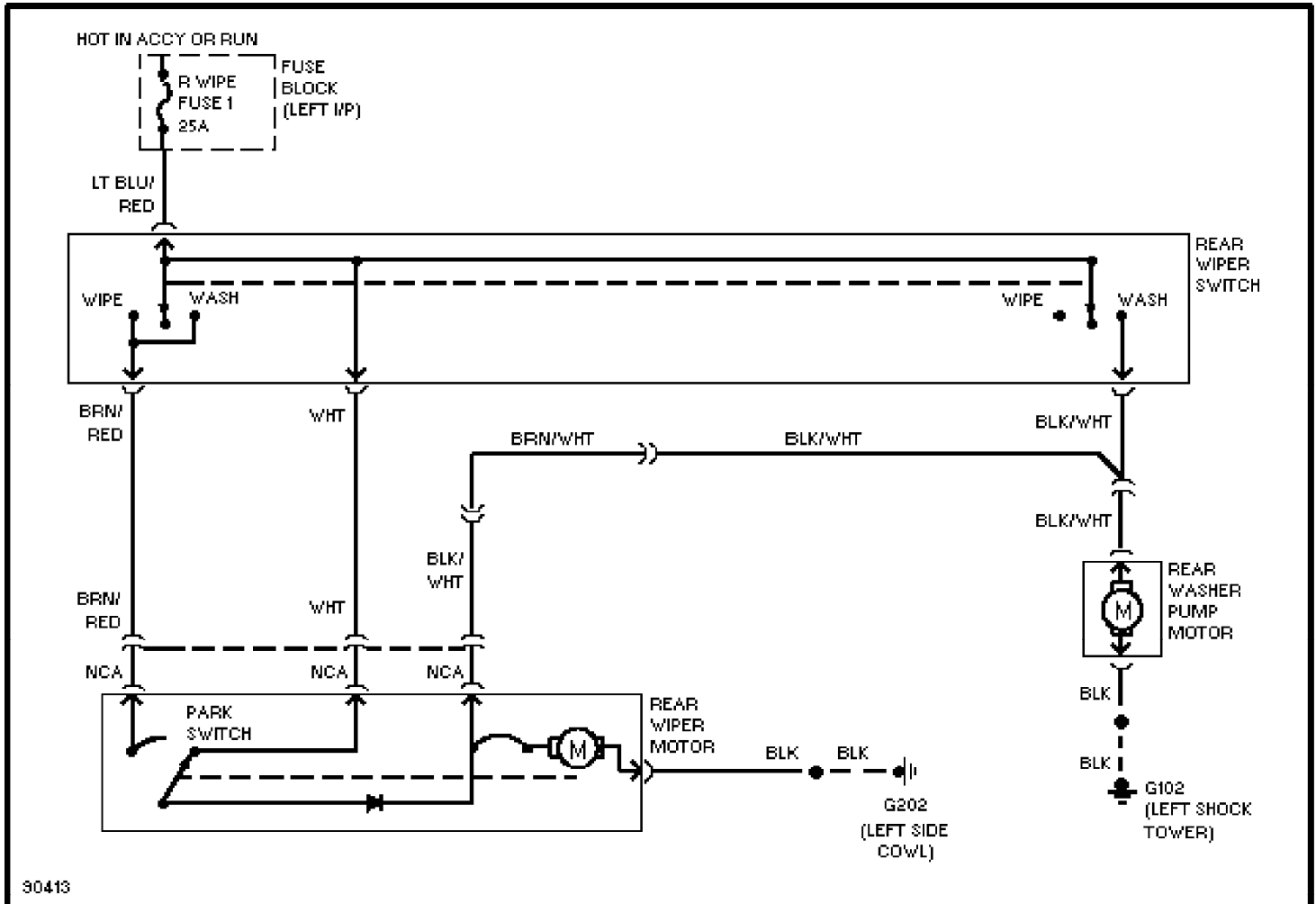
1992 Jeep Cherokee



# SYSTEM WIRING DIAGRAMS

## Rear Wiper/Washer Circuit (p. 14)

1992 Jeep Cherokee

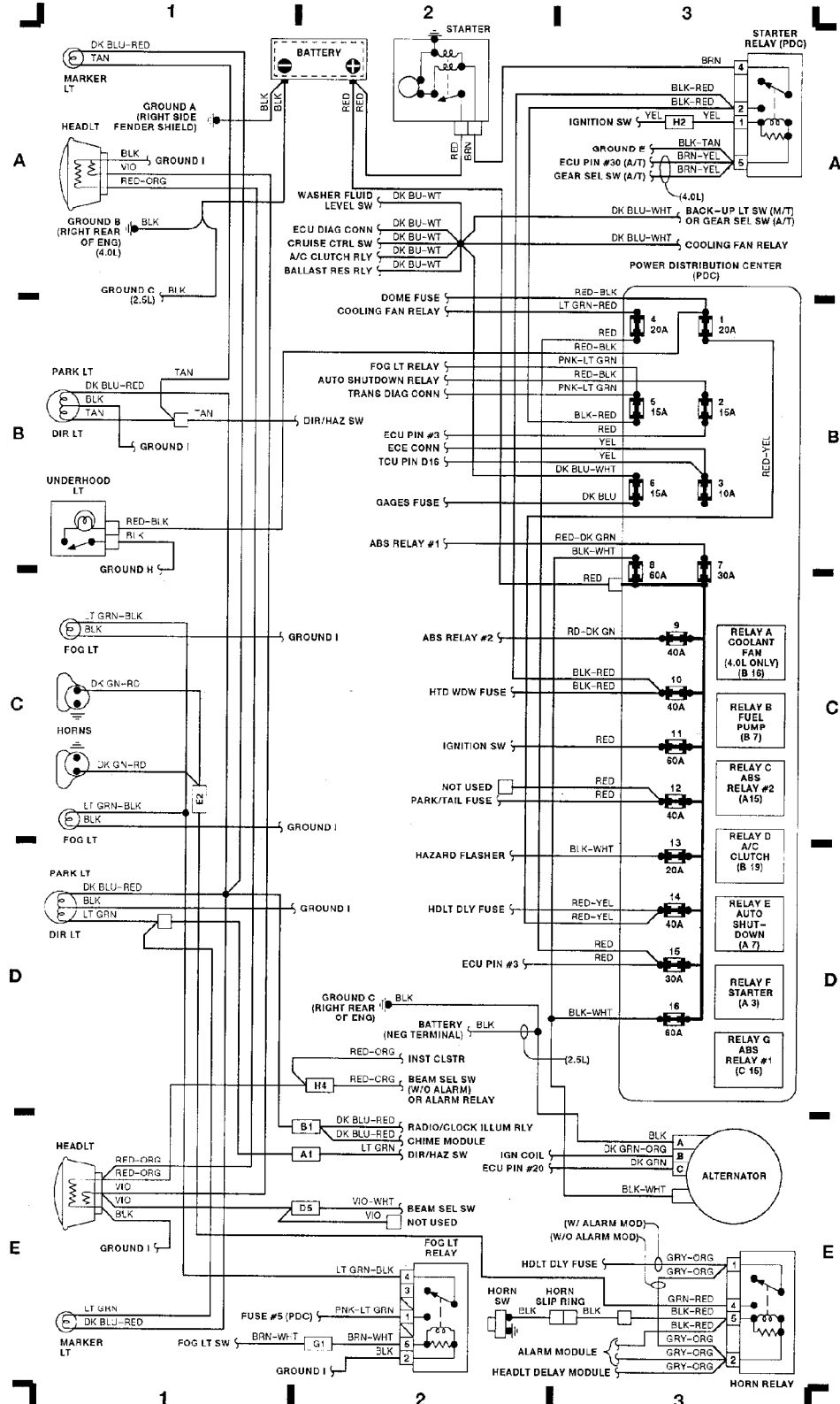


# WIRING DIAGRAMS

Fig. 1: Engine Compartment & Headlights (Grids 1-3)  
1992 Jeep Cherokee

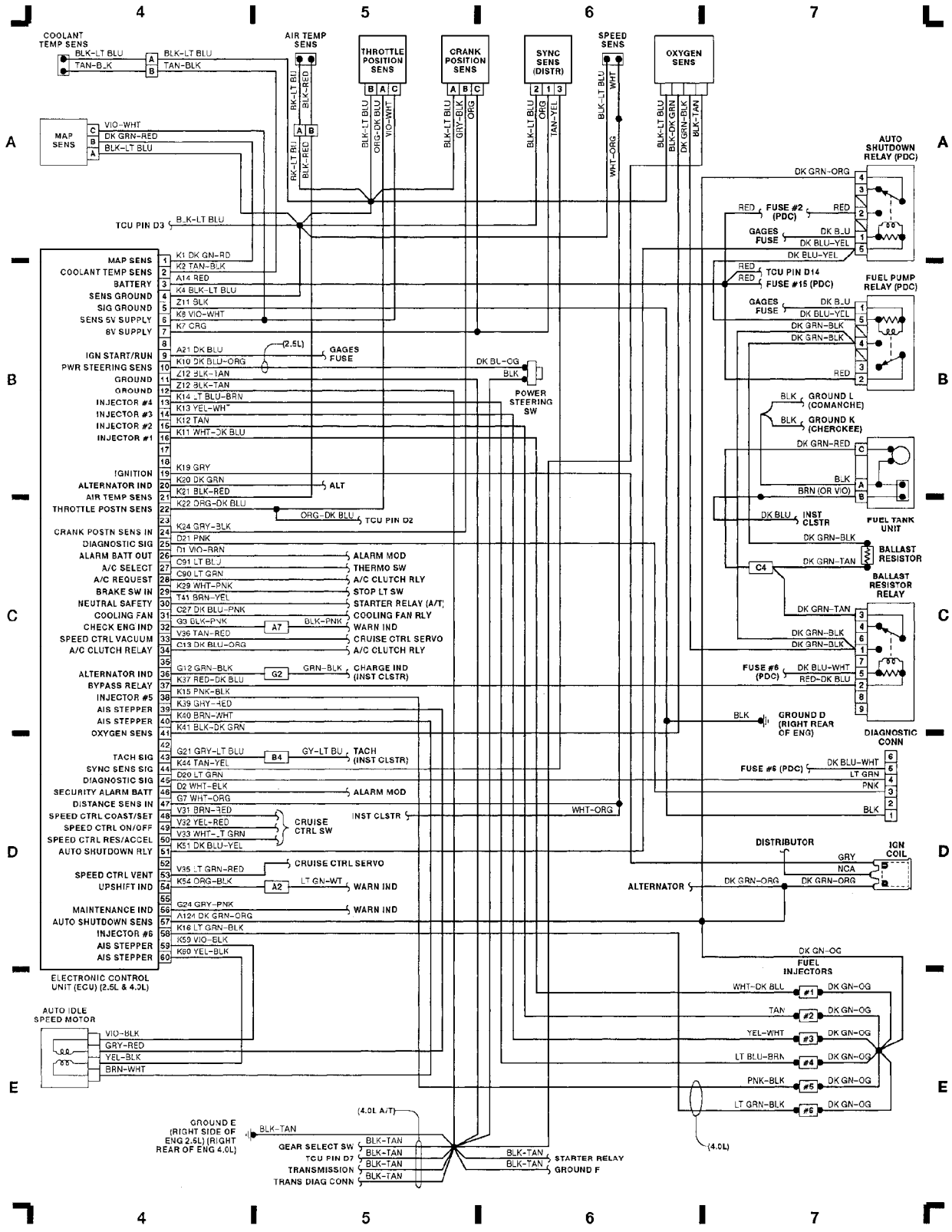
**COMPONENT LOCATOR:**

A/C CLUTCH RELAY	B 13
A/C HTR LT	B 11
A/C SW	A 16-17
A-ARM MODULE	A 24
A-ARM RELAY	B 24
ALTERNATOR	E 3
ANTI-LOCK BRAKE SYSTEM	A-D 12-15
ASHTRAY LT	B 11
AUTO SHUTDOWN RELAY	A 7
BACK-UP LT SW	B 16
BALLAST RESISTOR RELAY	C 7
BATTERY	A 2
BEAM SEL SW	D-E 23
BLOWER MOTOR	A 19
CARGO LT	A 24
CHIME MODULE	B 8
CIG LTR	C 11
COOLING FAN RELAY	B 16
CRUISE CTRL SERVO	A 20
CRUISE CTRL SW	A-B 20
DEFOG GRID	E 36
DEFOG RELAY	E 34
DEFOG SW	E 35
DEFOG SW LT	B 11
DIR/HAZARD SW	C-D 19
DOME/MAR LTS	B 24
DOME/READING LTS	A 32
DOOT SW	A 35
EOE CONN	F 16
ECL DIAGNOSTIC CONN	D 37
ELECTRONIC CONTROL UNIT (ECU)	B-D 4
FOG LT RELAY	E 2
FOG LT SW	C 16
FUEL PUMP RELAY	B 7
FUEL TANK UNIT	B 7
FUSE BLOCK	C-E 10
GEAR SELECT SW	C 16
GLOVE BOX LT	A 34
GROUND A	A 1
GROUND B	A 1
GROUND C	D 2
GROUND D	C 7
GROUND E	A 4
GROUND F	A 15
GROUND G	A 13
GROUND H	B 22
GROUND I	B 24
GROUND J	E 26
GROUND K (CHEROKEE)	C 36
GROUND K (COMMANCHE)	E 36
GROUND L	E 36
HEADLT DELAY MODULE	E 23
HEADLT SW	B-D 23
HEATER SW	A 16
HORN RELAY	E 3
IGNITION COIL	D 7
IGNITION SW	A 3-11
ILLUMINATED ENTRY RELAY	B 32
INSTRUMENT CLUSTER	C 24
KEYLESS ENTRY MODULE	A 31
LEFT DOOR LOCK KEY SW	A 26
LEFT FRONT DOOR SW	B 36
LEFT REAR DOOR KEY SW	A 29
LEFT GATE LT SW	A 36
LOCK RELAY	B 31
OVERHEAD CONSOLE	A 27
PARK BRAKE SW	A 8
POWER ANTENNA RELAY	D 34
POWER DISTRIBUTION CENTER (PDC)	B-D 3
POWER MIRROR SW	D-E 32
POWER SEAT SW	C 32
POWER WINDOW SYSTEM	C-E 28-31
PRNDL LT	B 11
RAD FAN MOTOR	B 17
RADIO/CLOCK ILLUM RELAY	D 23
REAR WIPER SW LT	B 11
REAR WIPER/WASHER SYSTEM	B-C 33-35
RIGHT DOOR LOCK KEY SW	A 26
RIGHT FRONT DOOR LOCK SW	B 23
SEAT BELT SW	A 2
STARTER	A 2
STARTER RELAY	A 3
STOP LT RELAY	D 36
STOP LT SW	A 23
THERMO SW	B 19
TRAILER CONN	A 36
TRAILER TOW IN-LINE CB	D 36
TRANS CTRL UNIT (TCU)	C-E 16
TRANS DIAGNOSTIC CONN	D 19
TRANSMISSION	E 18
UNDERHOOD LT	B 1
UNLOCK RELAY	B 31
VANITY LTS	A 32, A 33
WARNING INDICATORS	D 24
WIPER/WASHER SYSTEM	C-E 20-22
4WD SW	D 27



# WIRING DIAGRAMS

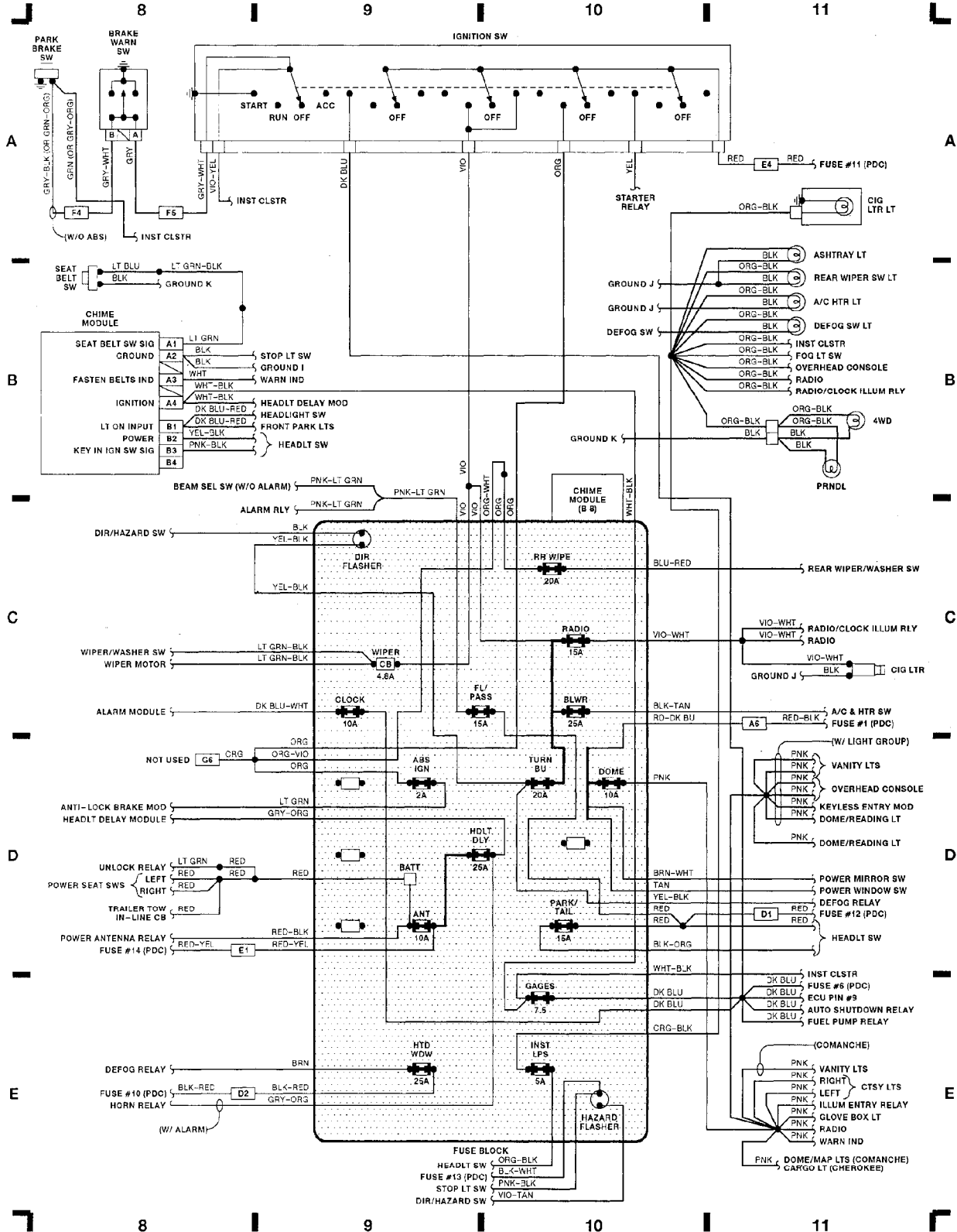
**Fig. 2: Electronic Control Unit(ECU) (2.5 & 4.0 L) (Grids 4-7) (p. 2)**  
1992 Jeep Cherokee





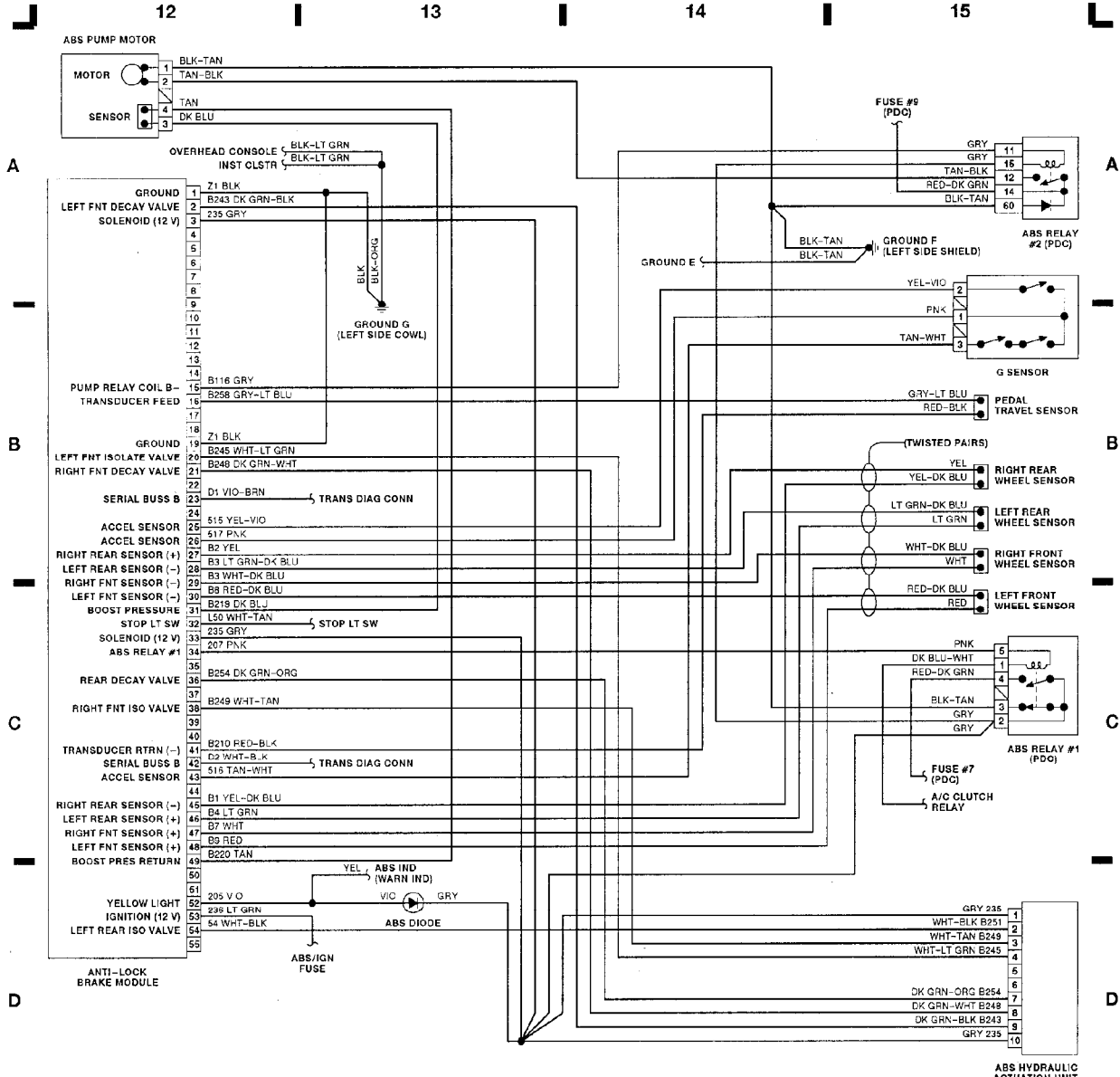
# WIRING DIAGRAMS

**Fig. 3: Fuse Block & Ignition Switch (Grids 8-11) (p. 3)**  
1992 Jeep Cherokee



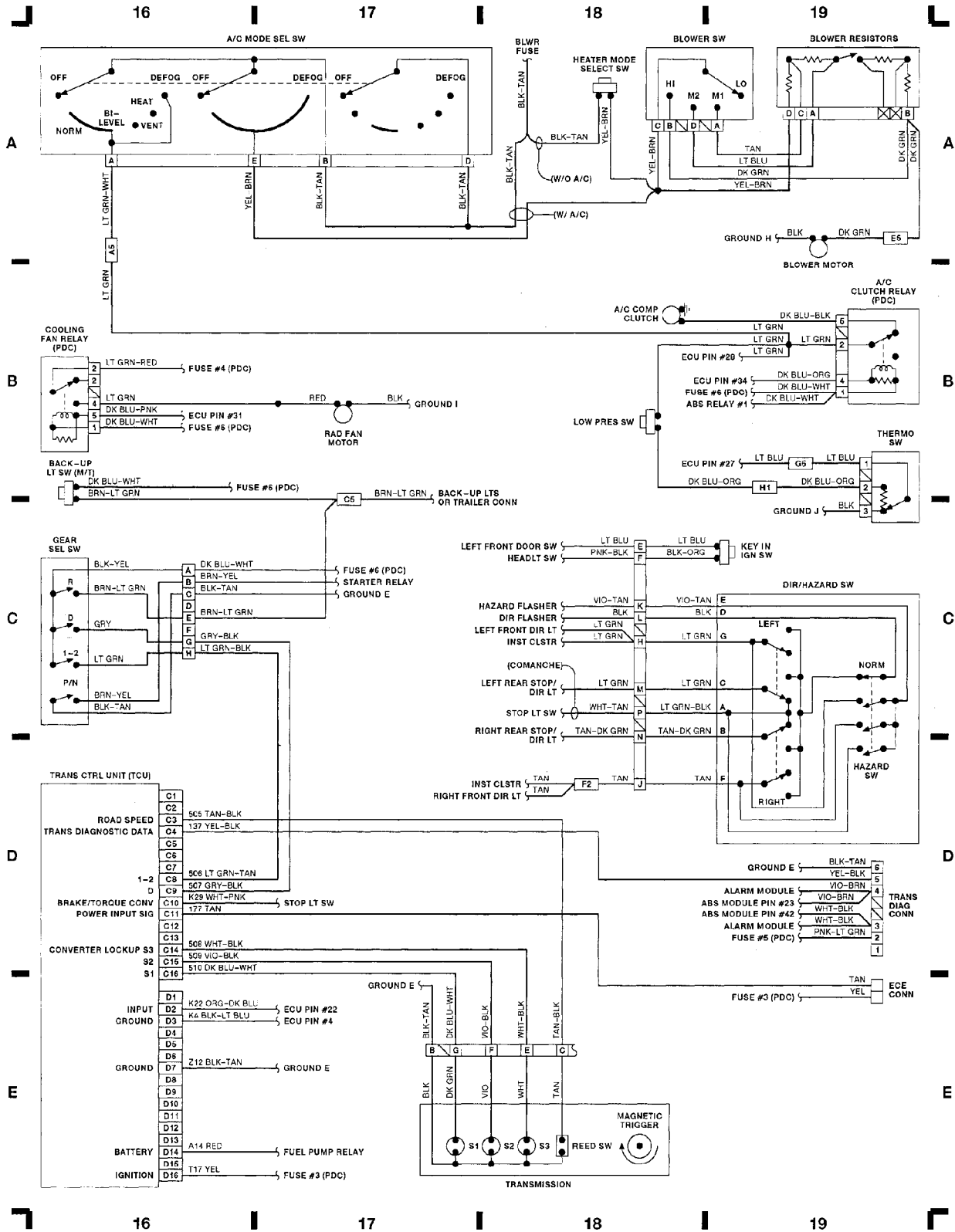
# WIRING DIAGRAMS

**Fig. 4: Anti-Lock Brake Module & ABS Pump Motor (Grids 12-15) (p. 4)**  
1992 Jeep Cherokee



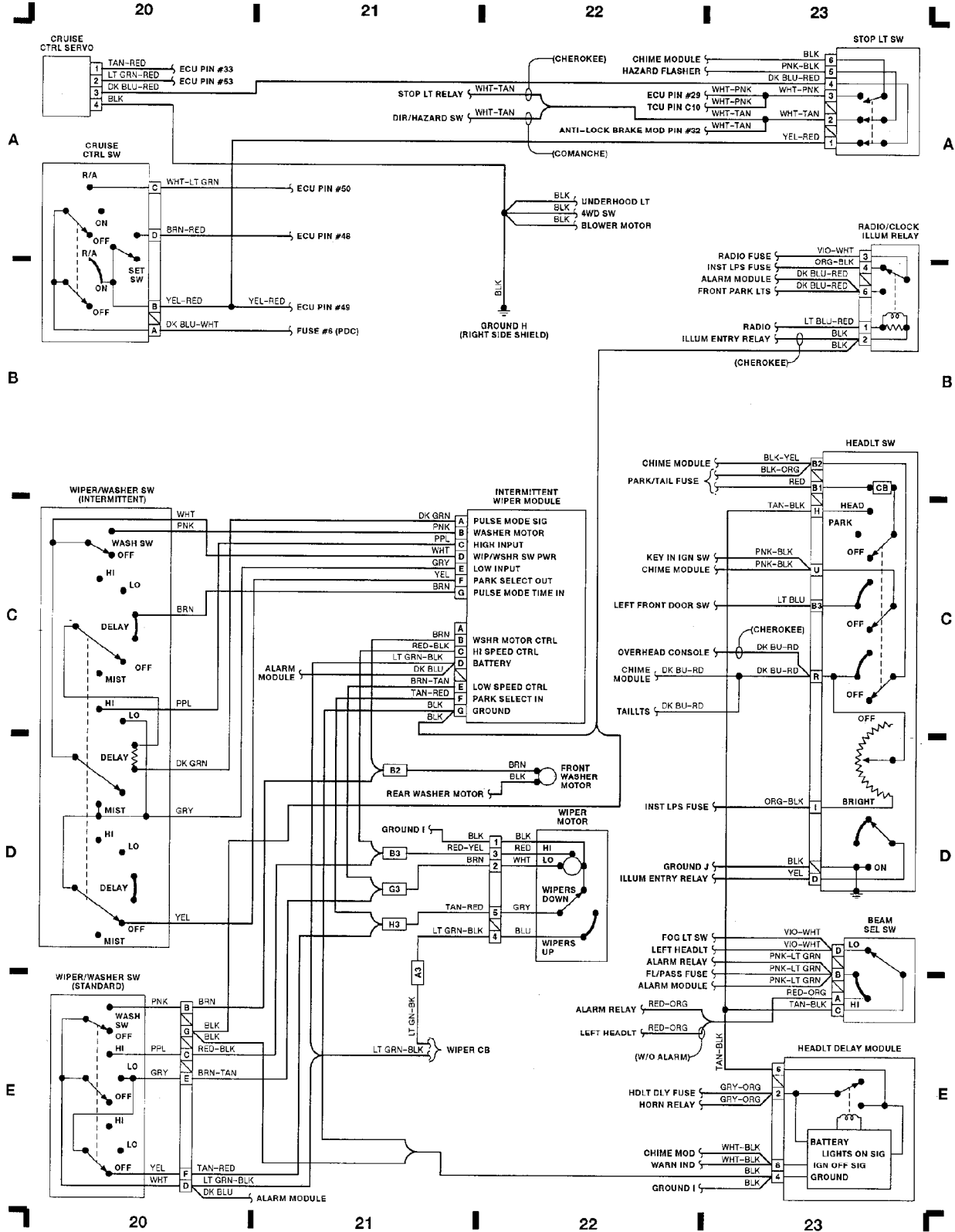
# WIRING DIAGRAMS

**Fig. 5: A/C Mode Select Switch, Trans. Ctrl Unit (TCU) (Grids 16-19) (p. 5)**  
1992 Jeep Cherokee



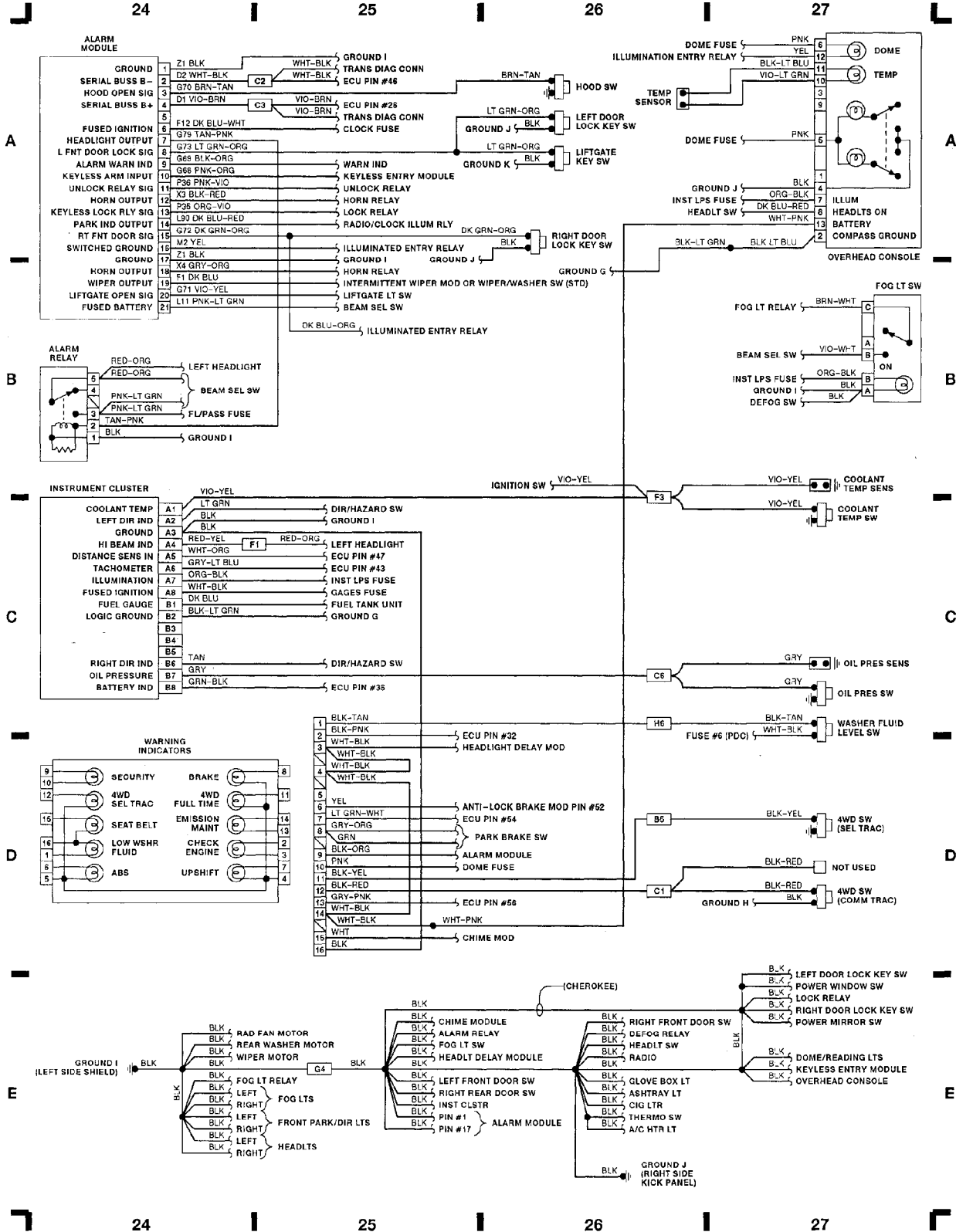
# WIRING DIAGRAMS

**Fig. 6: Cruise Ctrl Servo & Switch, Wiper/Washer Switch (Grids 20-23) (p. 6)**  
1992 Jeep Cherokee



# WIRING DIAGRAMS

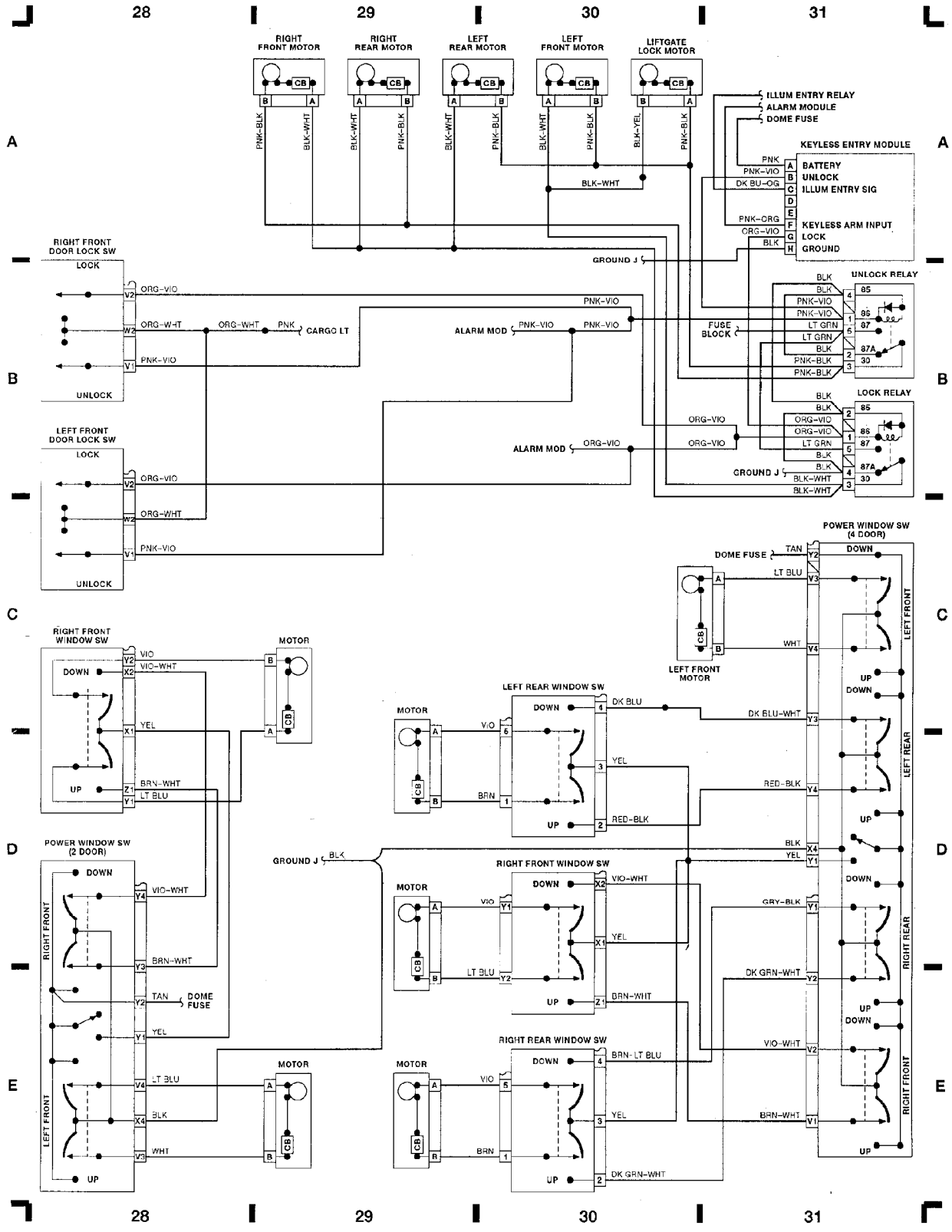
**Fig. 7: Instrument Cluster, Alarm Module & Indicators (Grids 24-27) (p. 7)**  
1992 Jeep Cherokee



# WIRING DIAGRAMS

**Fig. 8: Accessories & Keyless Entry Module (Grids 28-31) (p. 8)**

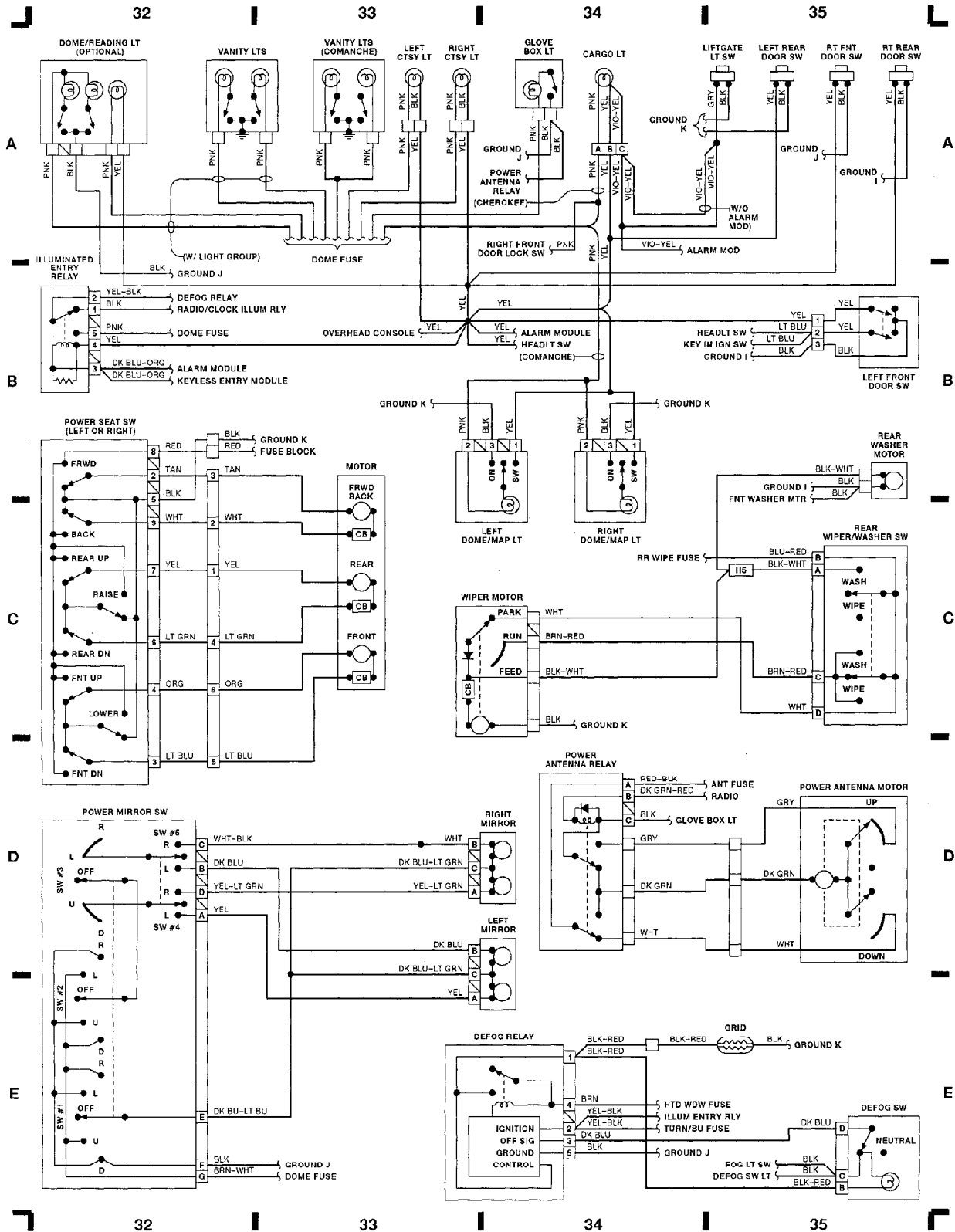
1992 Jeep Cherokee



# WIRING DIAGRAMS

## Fig. 9: Accessories (Cont.) (Grids 32-35) (p. 9)

### 1992 Jeep Cherokee



# WIRING DIAGRAMS

## Fig. 10: Trailer Connection & Taillights (Grids 36-39) (p. 10)

1992 Jeep Cherokee

