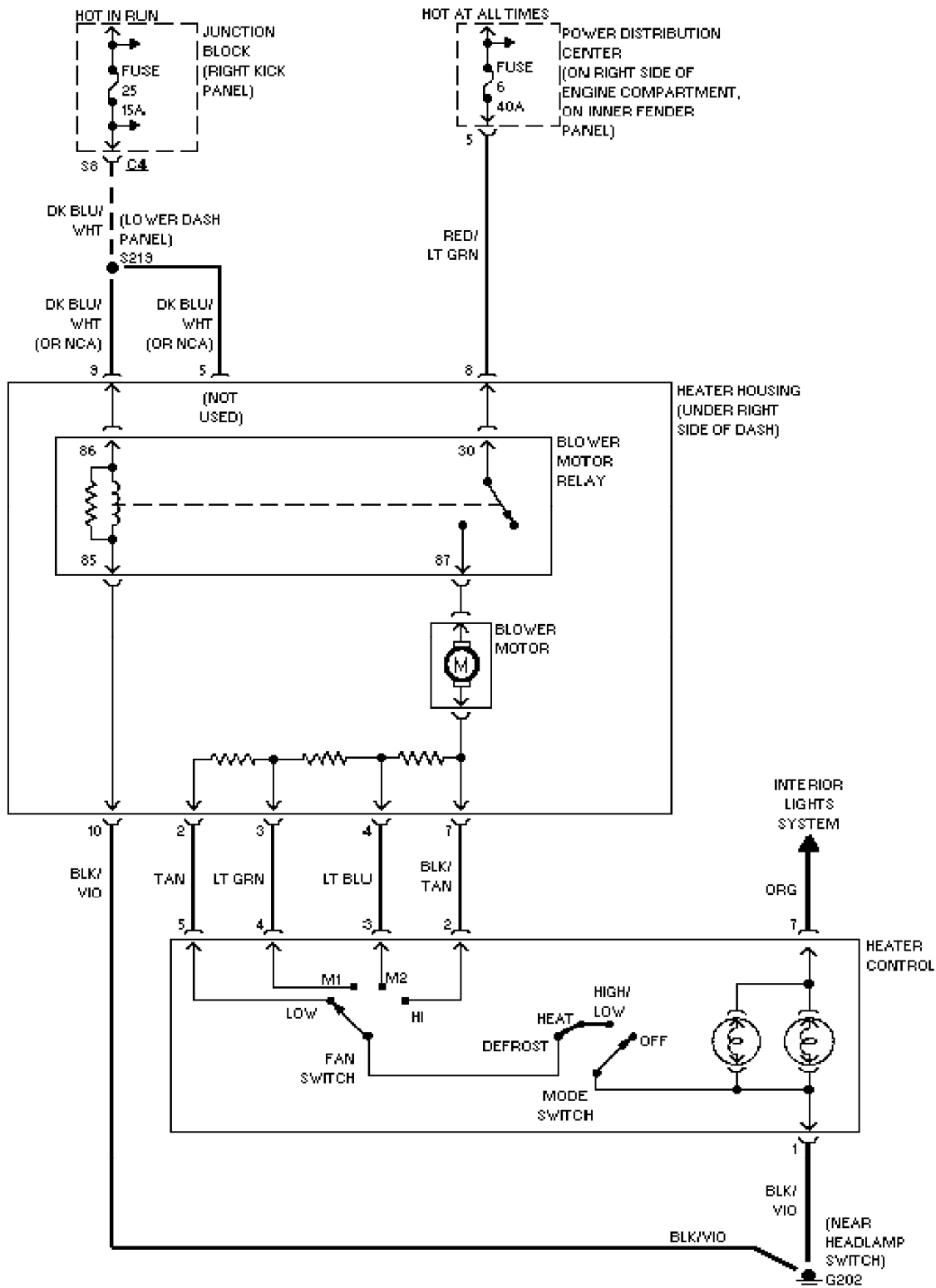


# SYSTEM WIRING DIAGRAMS

## Heater Circuit

1999 Jeep Cherokee

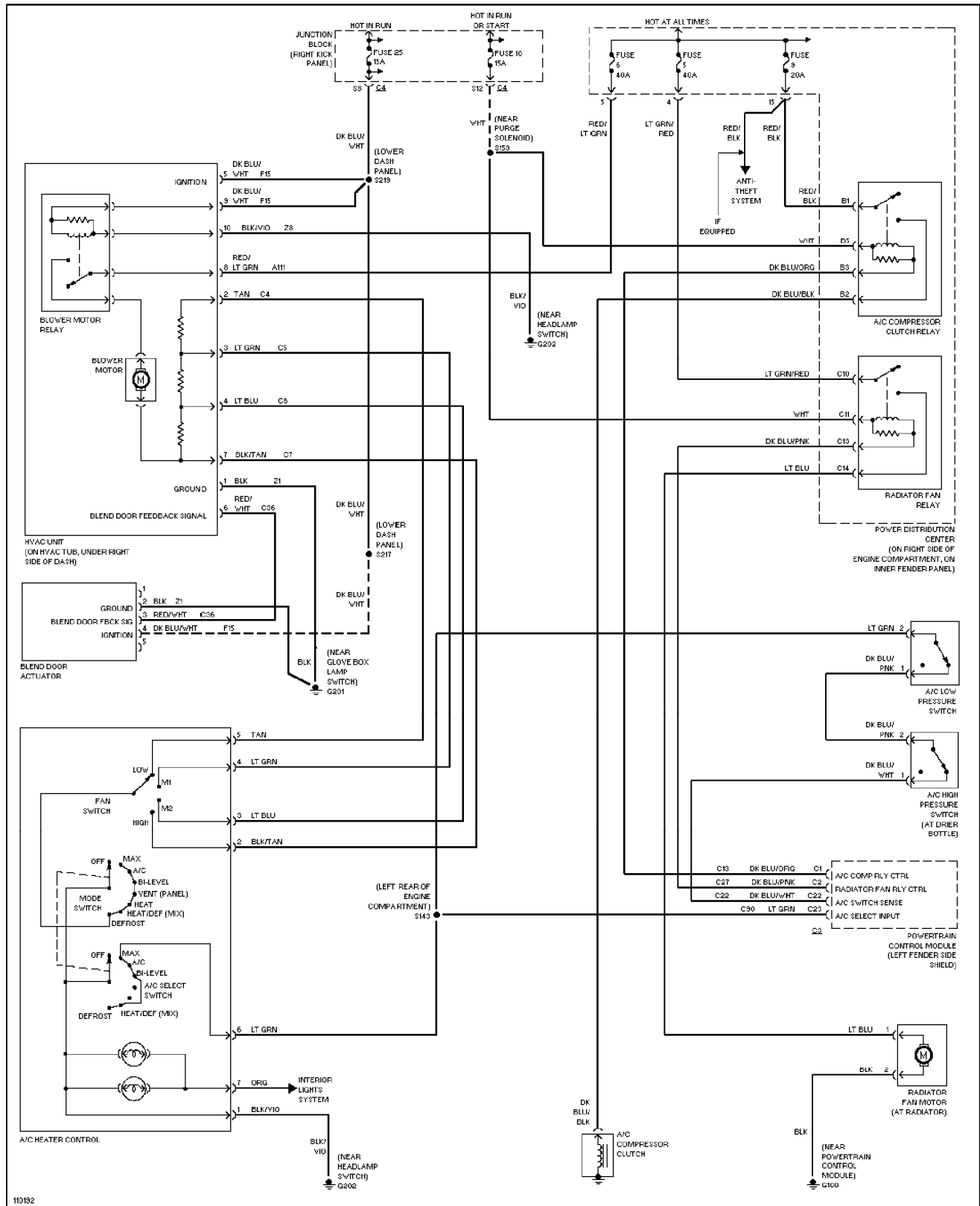
cdr@wp.pl



# SYSTEM WIRING DIAGRAMS

## Manual A/C Circuit (p. 2)

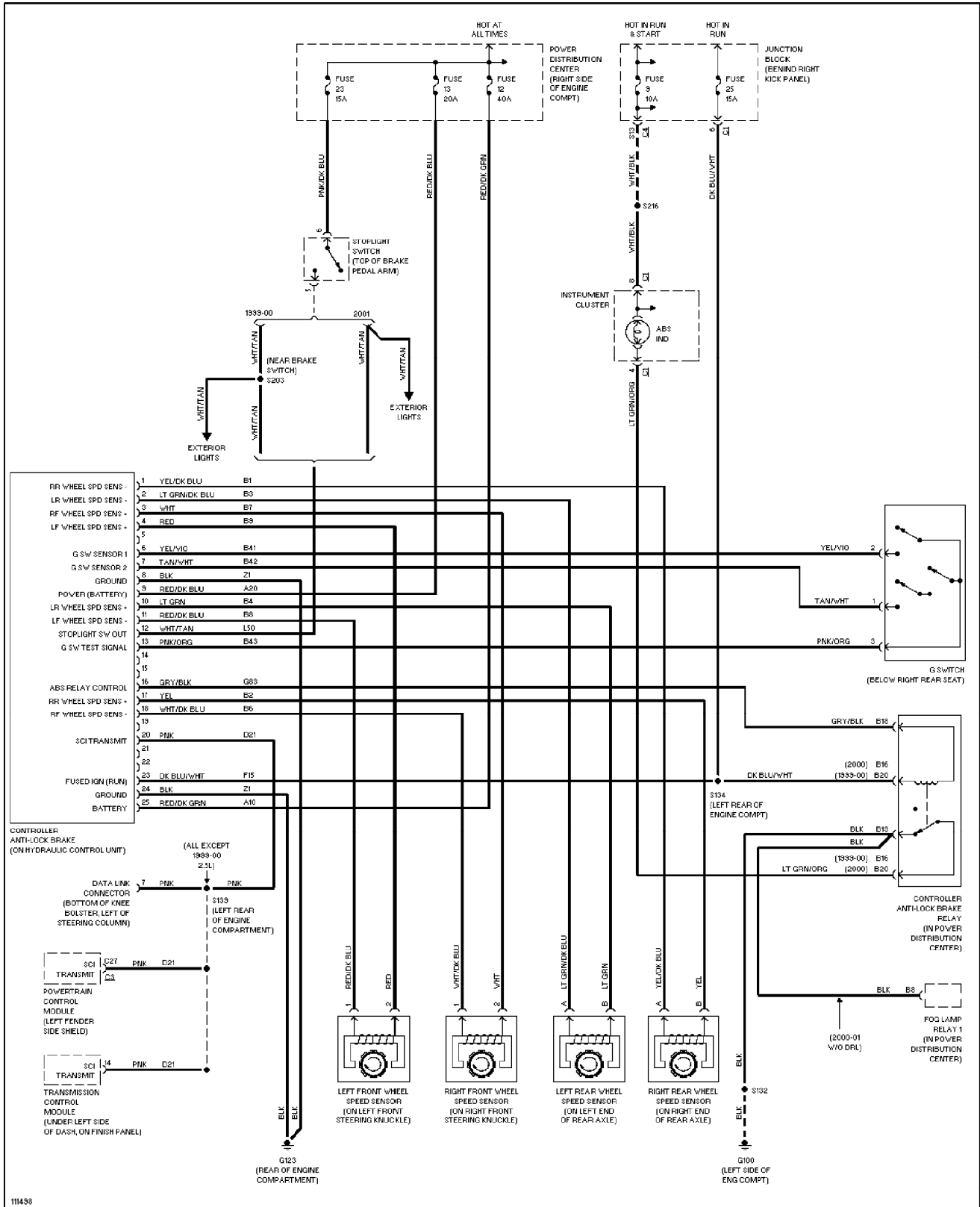
1999 Jeep Cherokee



# SYSTEM WIRING DIAGRAMS

## Anti-lock Brake Circuits (p. 3)

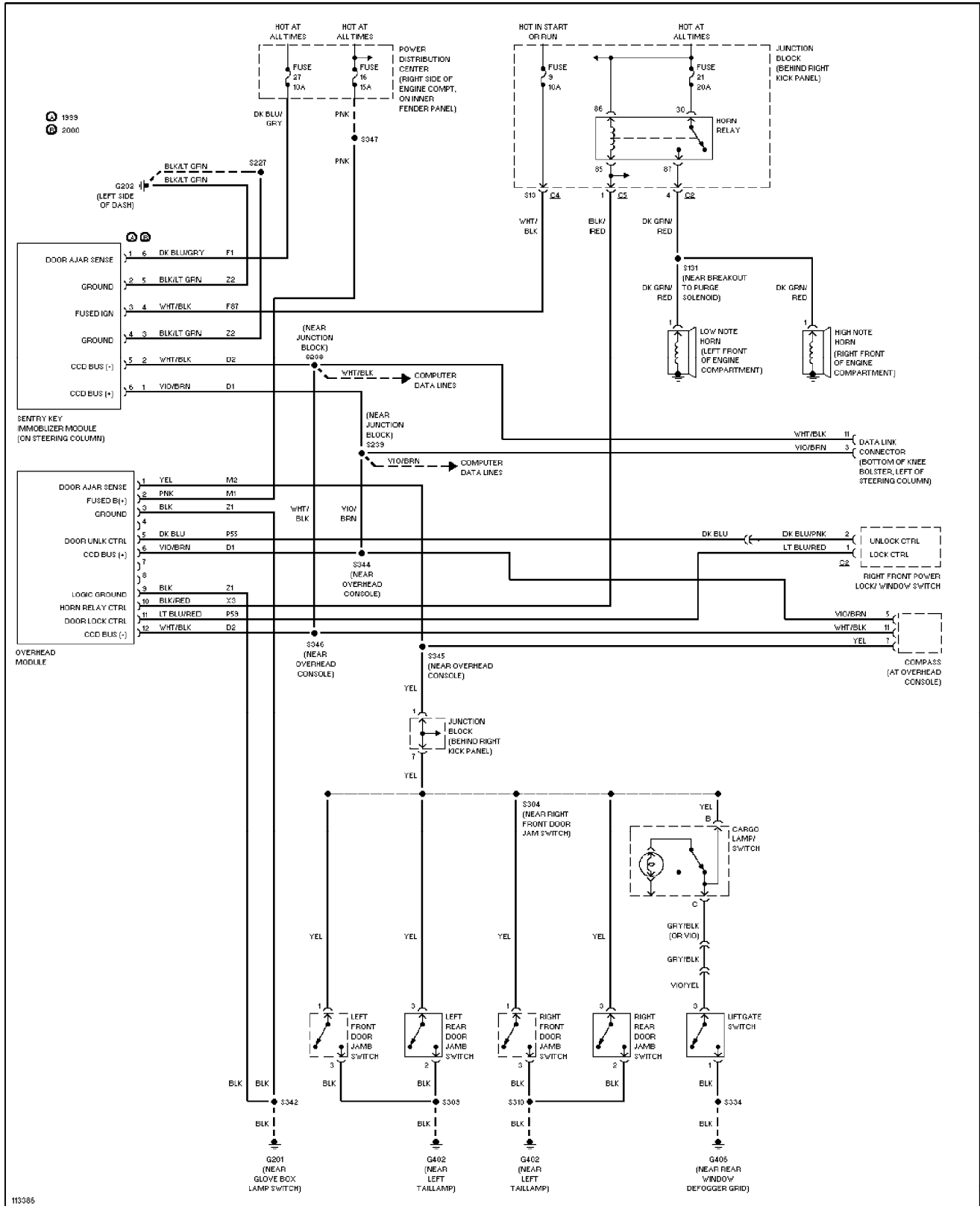
1999 Jeep Cherokee



# SYSTEM WIRING DIAGRAMS

## Anti-theft Circuit (p. 4)

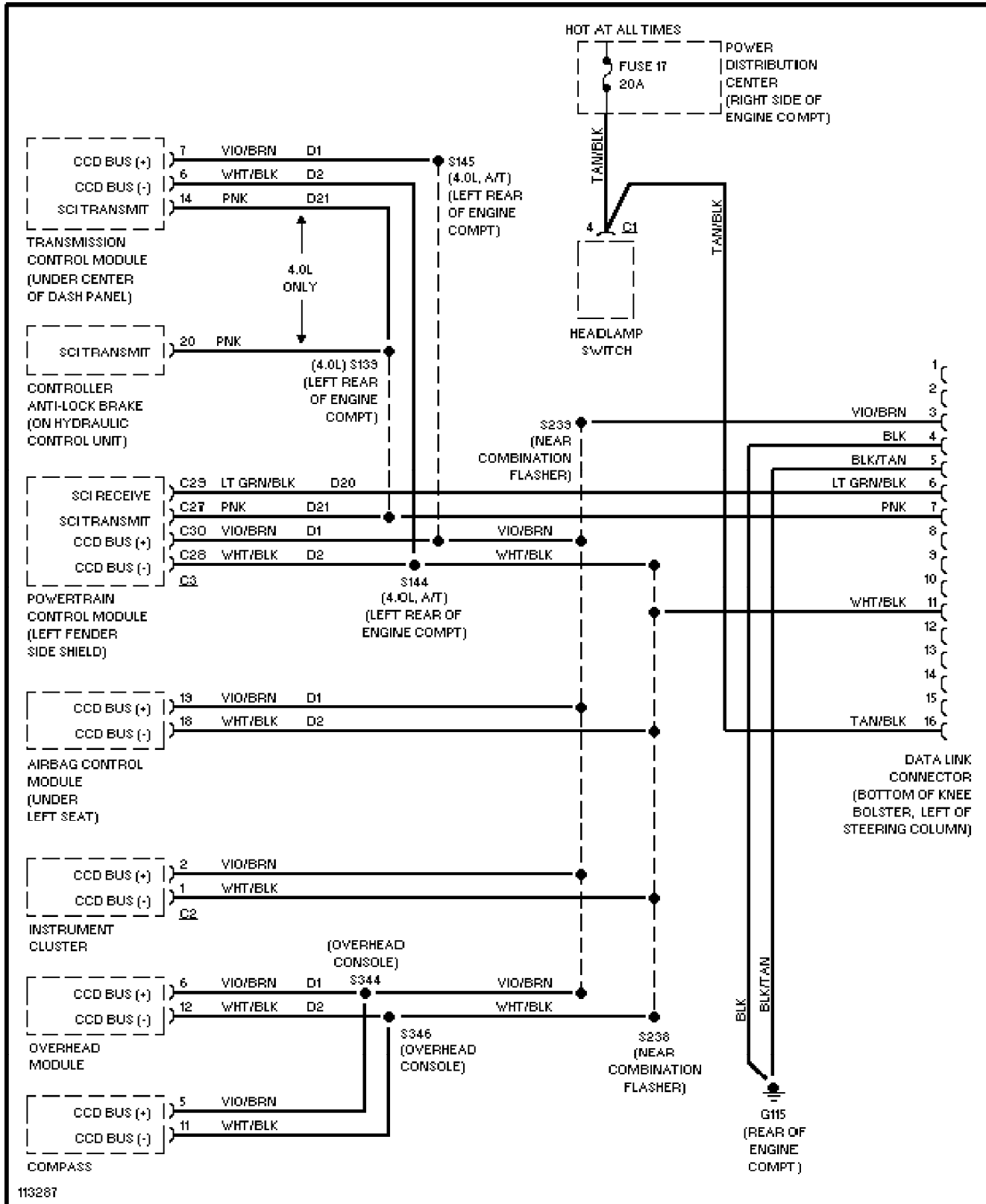
1999 Jeep Cherokee



# SYSTEM WIRING DIAGRAMS

## Computer Data Lines (p. 5)

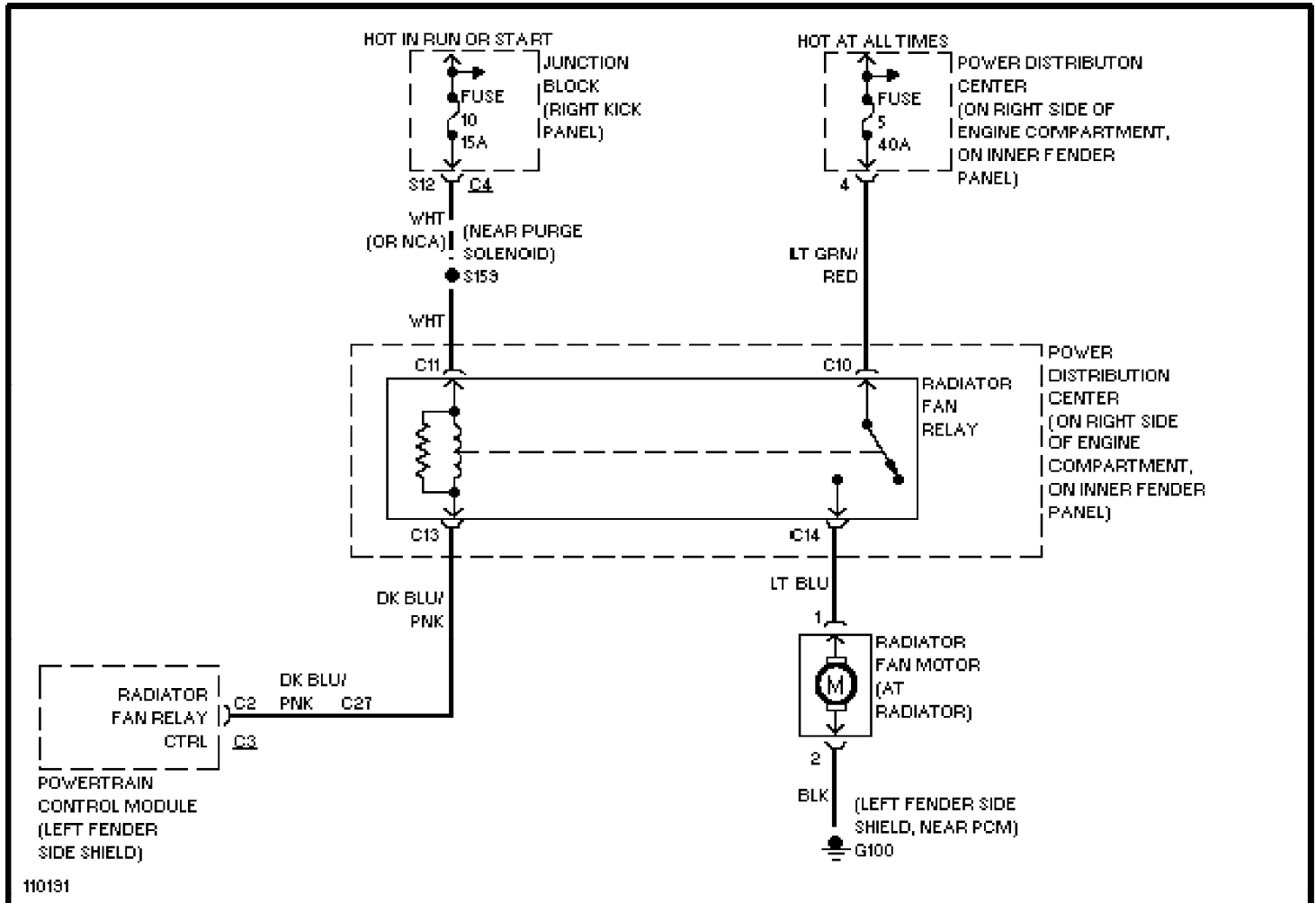
1999 Jeep Cherokee



# SYSTEM WIRING DIAGRAMS

## Cooling Fan Circuit (p. 6)

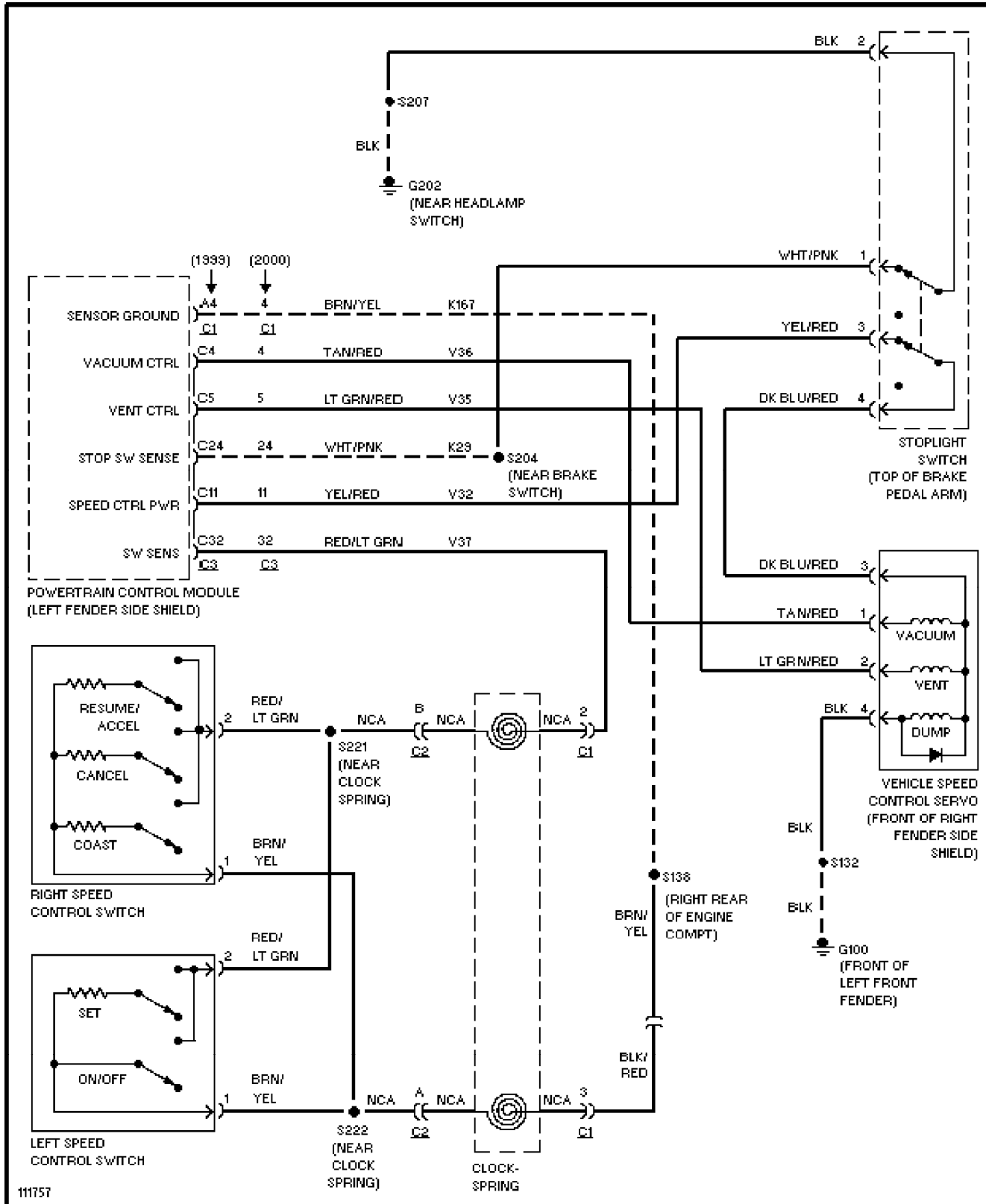
1999 Jeep Cherokee



# SYSTEM WIRING DIAGRAMS

## Cruise Control Circuit (p. 7)

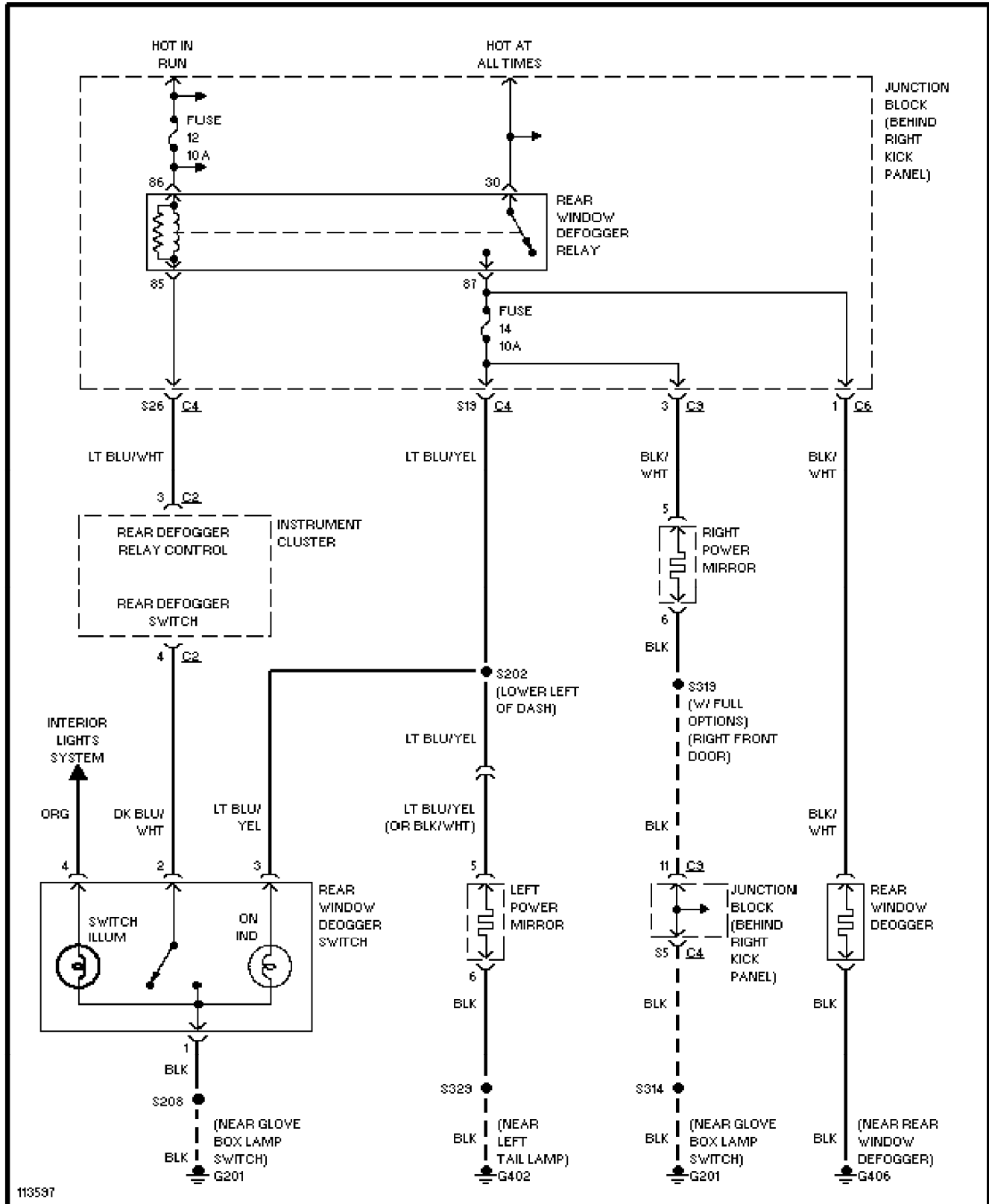
1999 Jeep Cherokee



# SYSTEM WIRING DIAGRAMS

## Defogger Circuit (p. 8)

1999 Jeep Cherokee

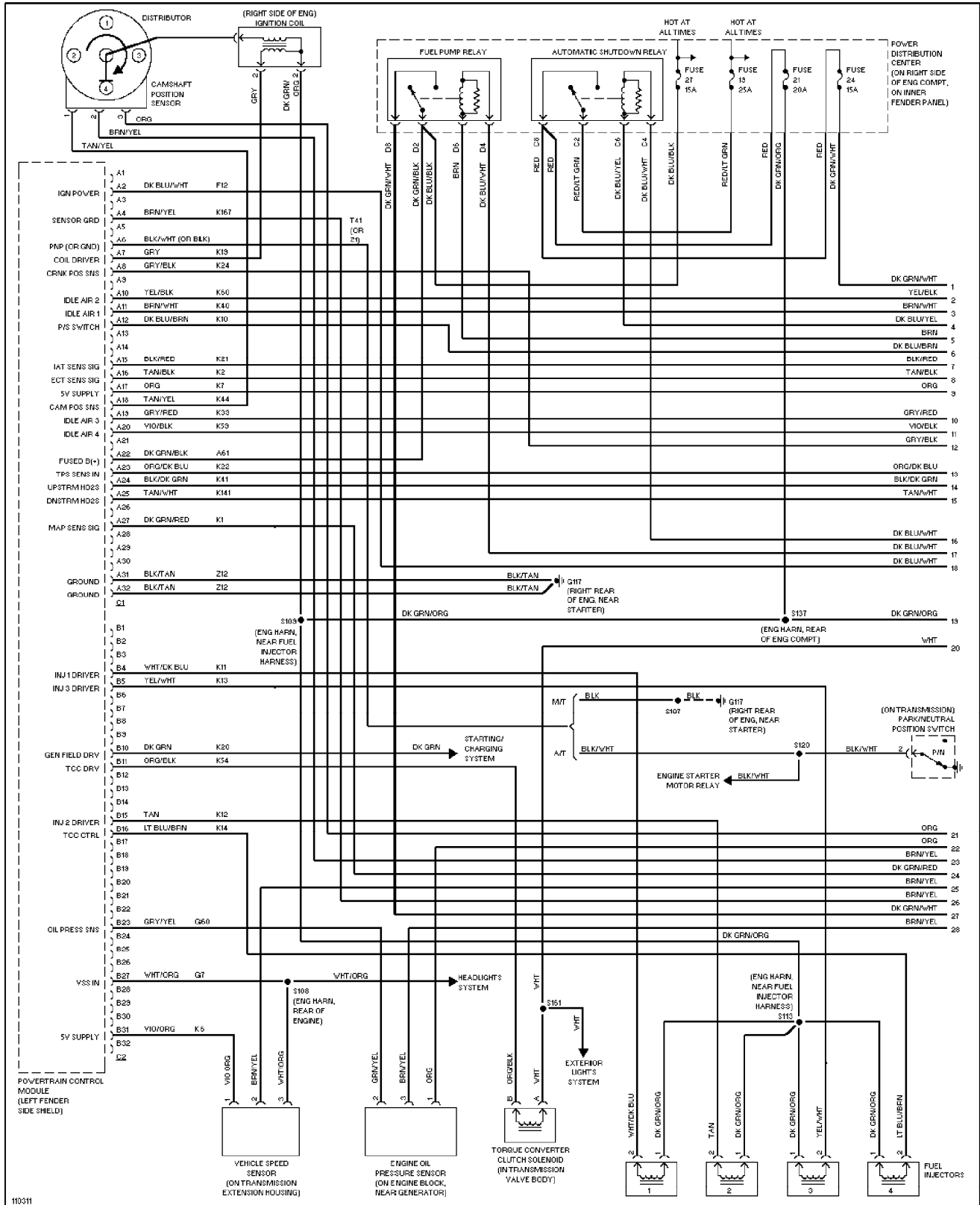




# SYSTEM WIRING DIAGRAMS

## 2.5L, Engine Performance Circuits (1 of 3) (p. 9)

### 1999 Jeep Cherokee

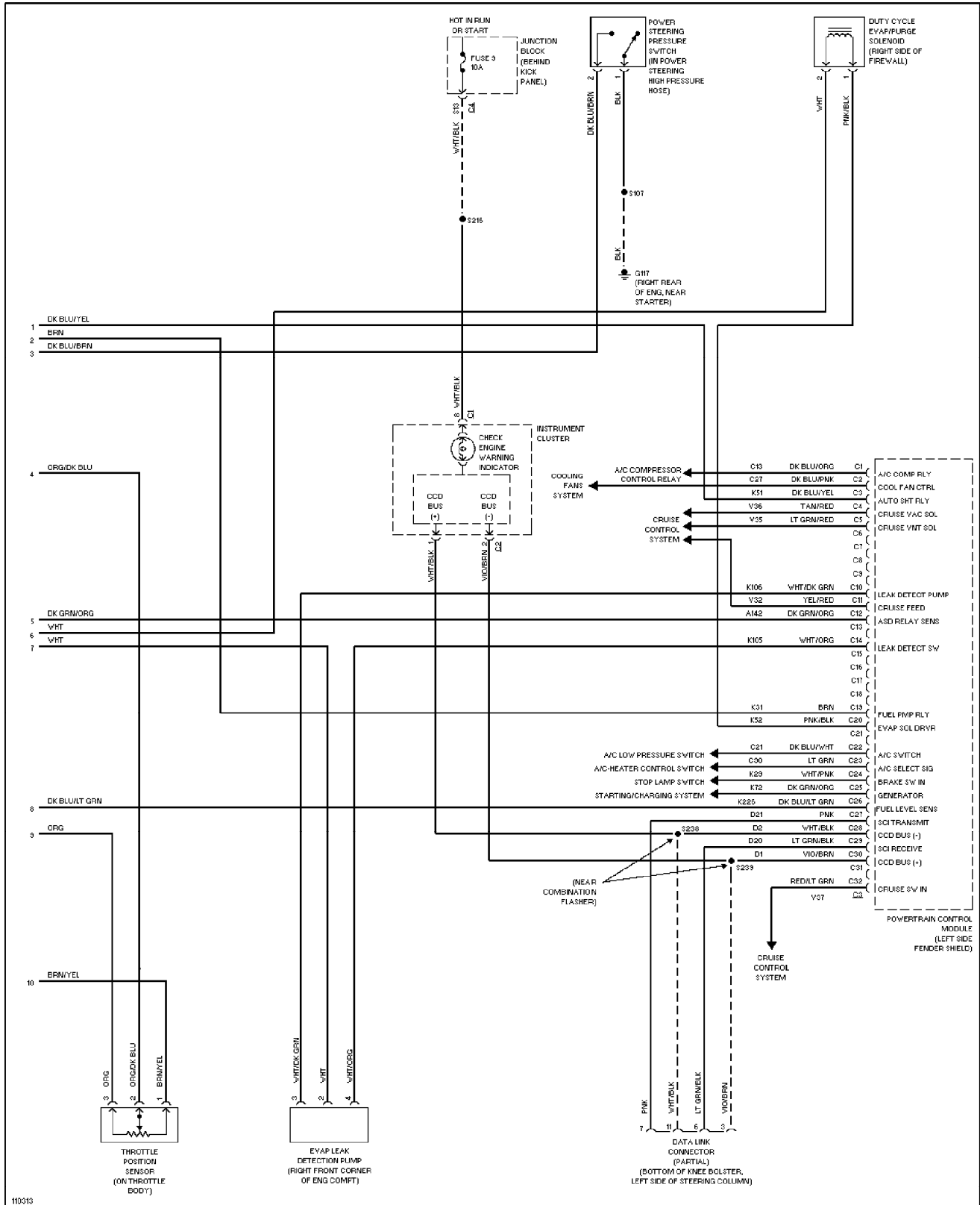




# SYSTEM WIRING DIAGRAMS

## 2.5L, Engine Performance Circuits (3 of 3) (p. 11)

### 1999 Jeep Cherokee



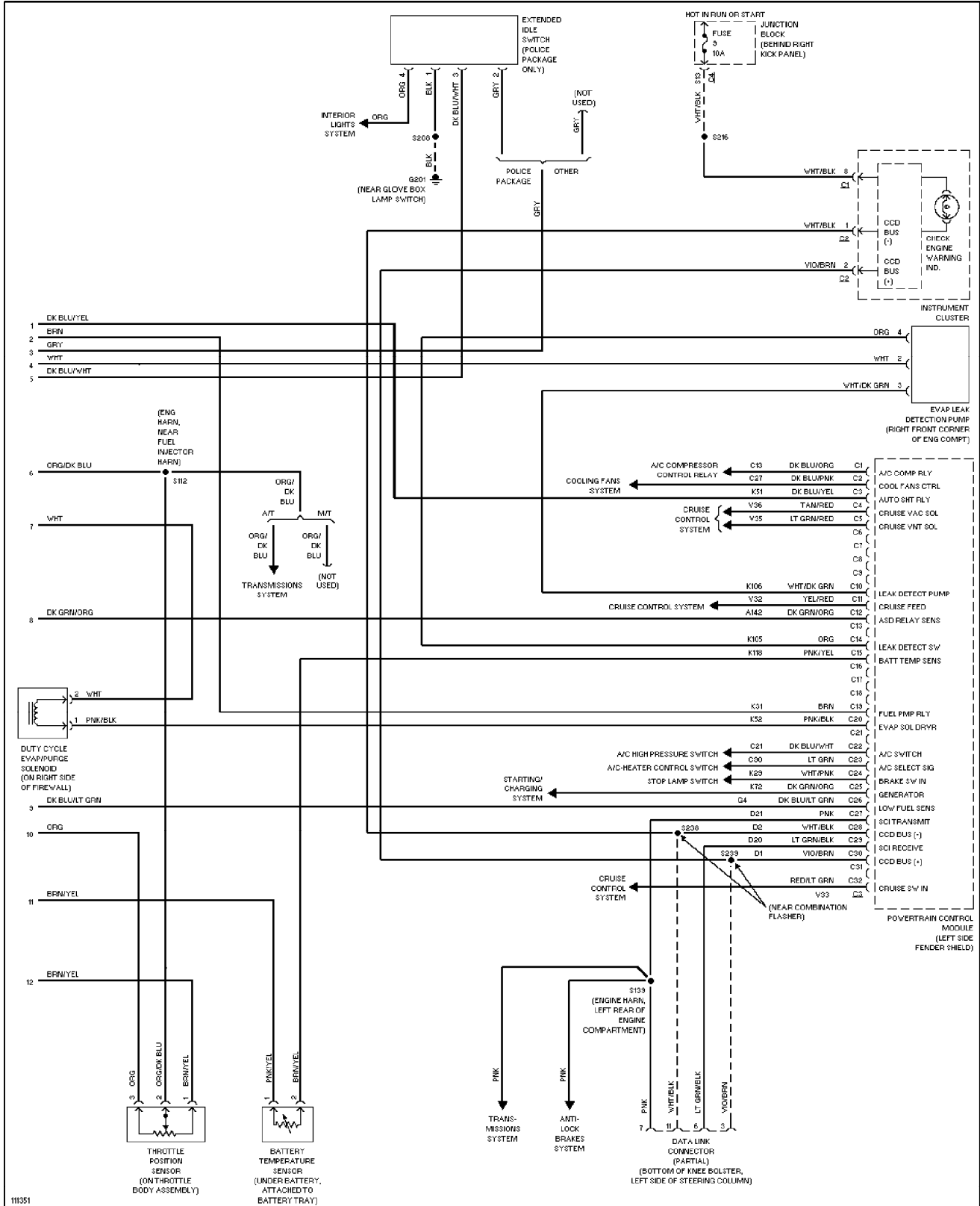




# SYSTEM WIRING DIAGRAMS

## 4.0L, Engine Performance Circuits (3 of 3) (p. 14)

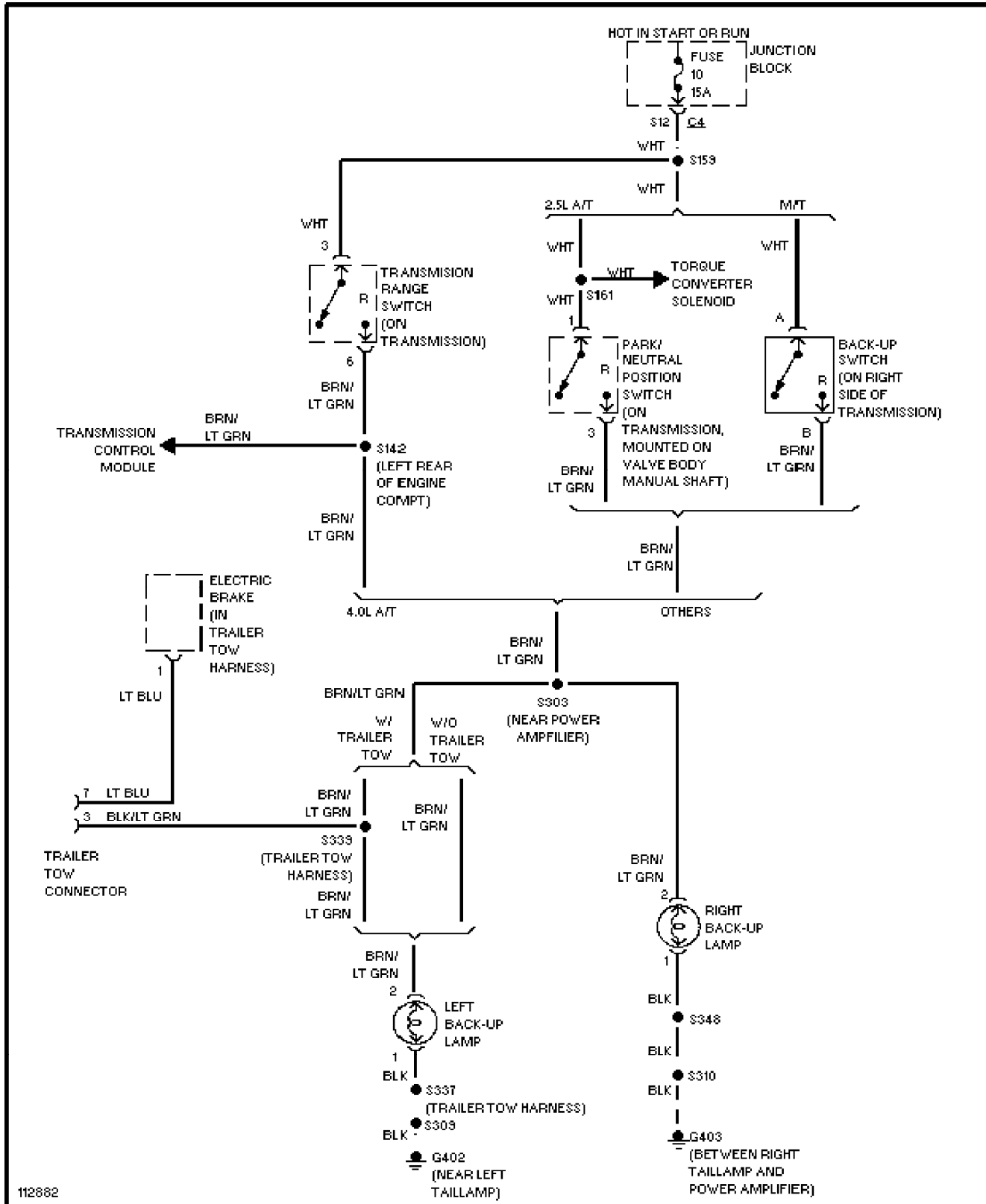
### 1999 Jeep Cherokee



# SYSTEM WIRING DIAGRAMS

## Back-up Lamps Circuit (p. 15)

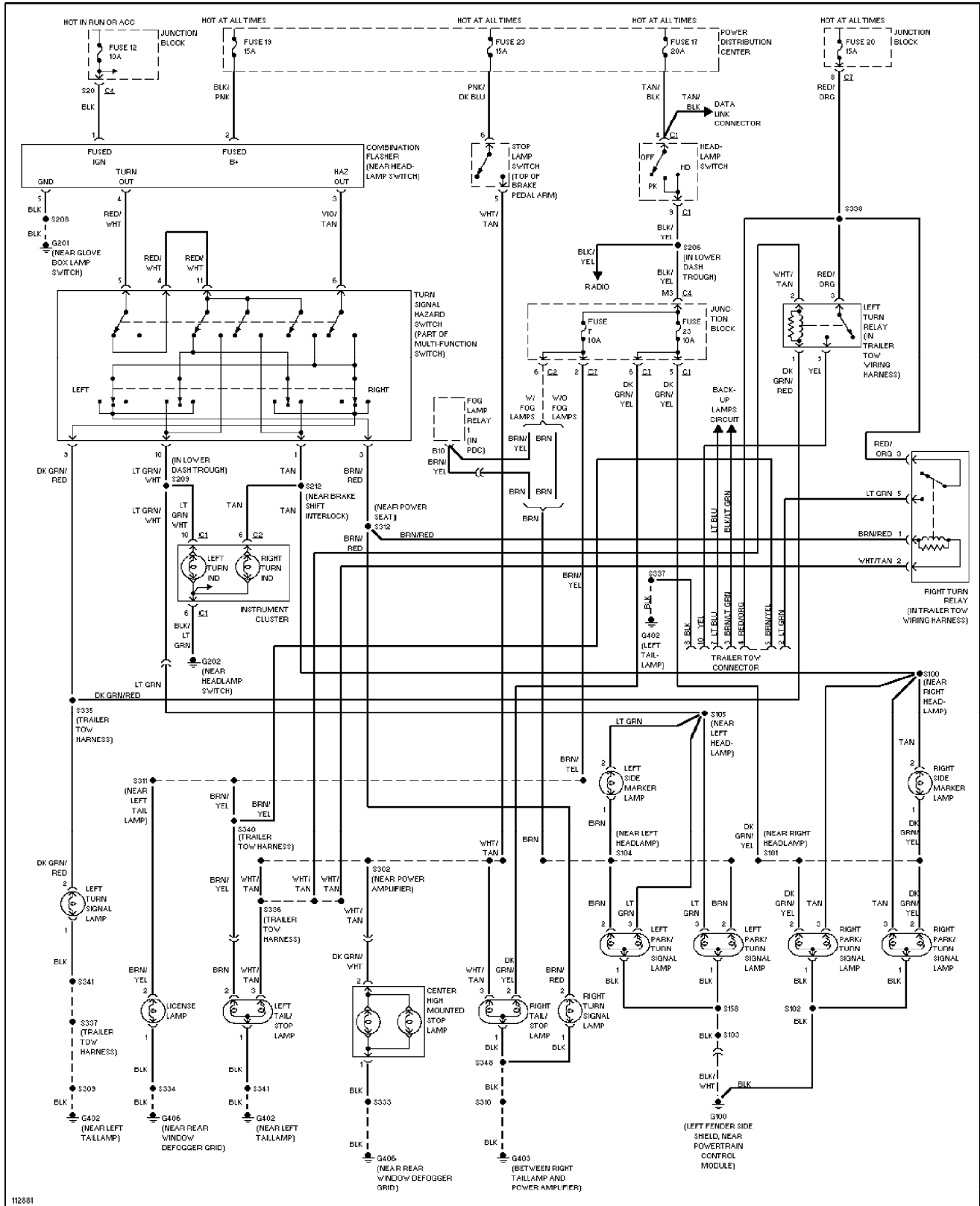
1999 Jeep Cherokee



# SYSTEM WIRING DIAGRAMS

## Exterior Lamps & Trailer connector Circuit (p. 16)

### 1999 Jeep Cherokee

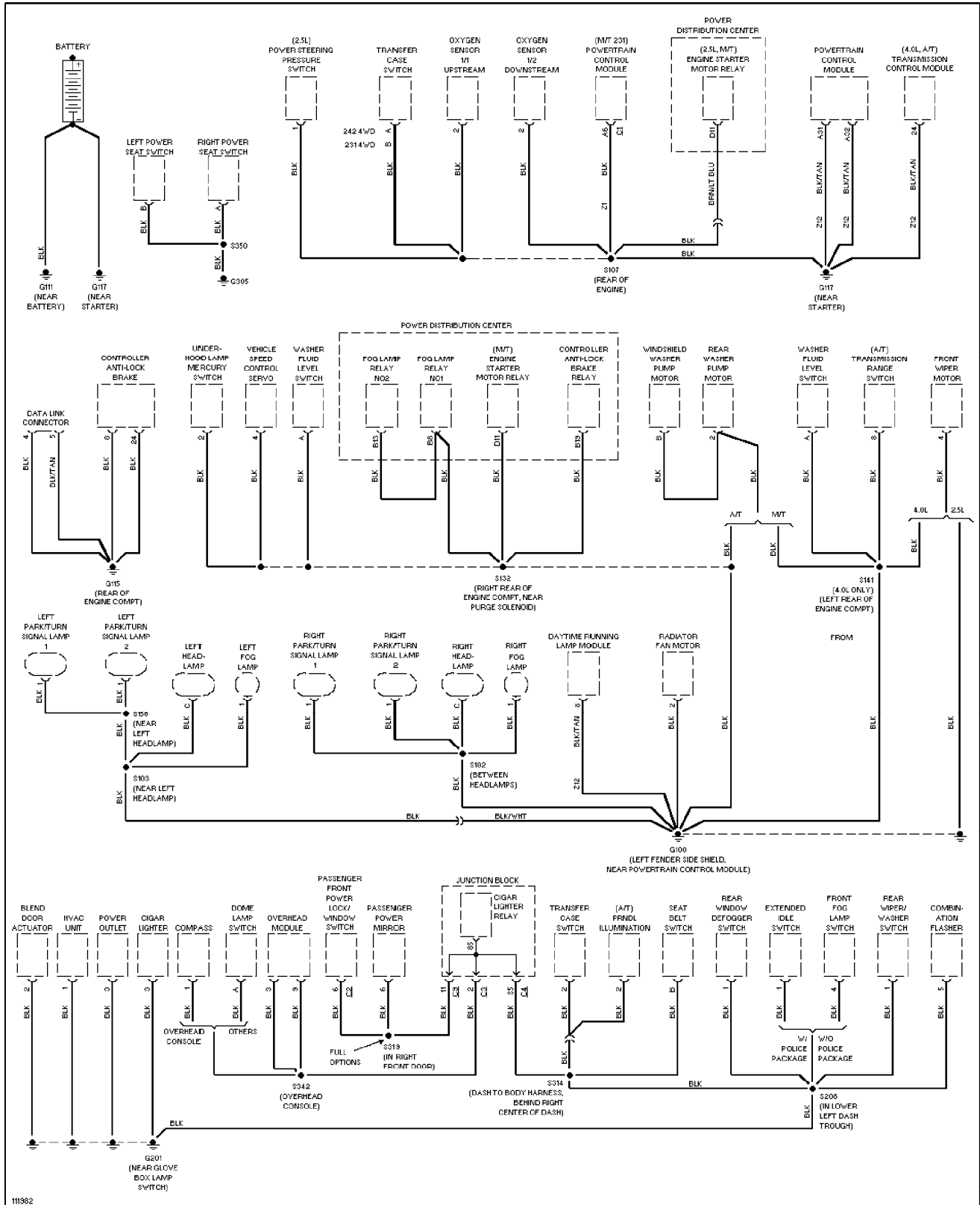




# SYSTEM WIRING DIAGRAMS

## Ground Distribution Circuit (1 of 2) (p. 17)

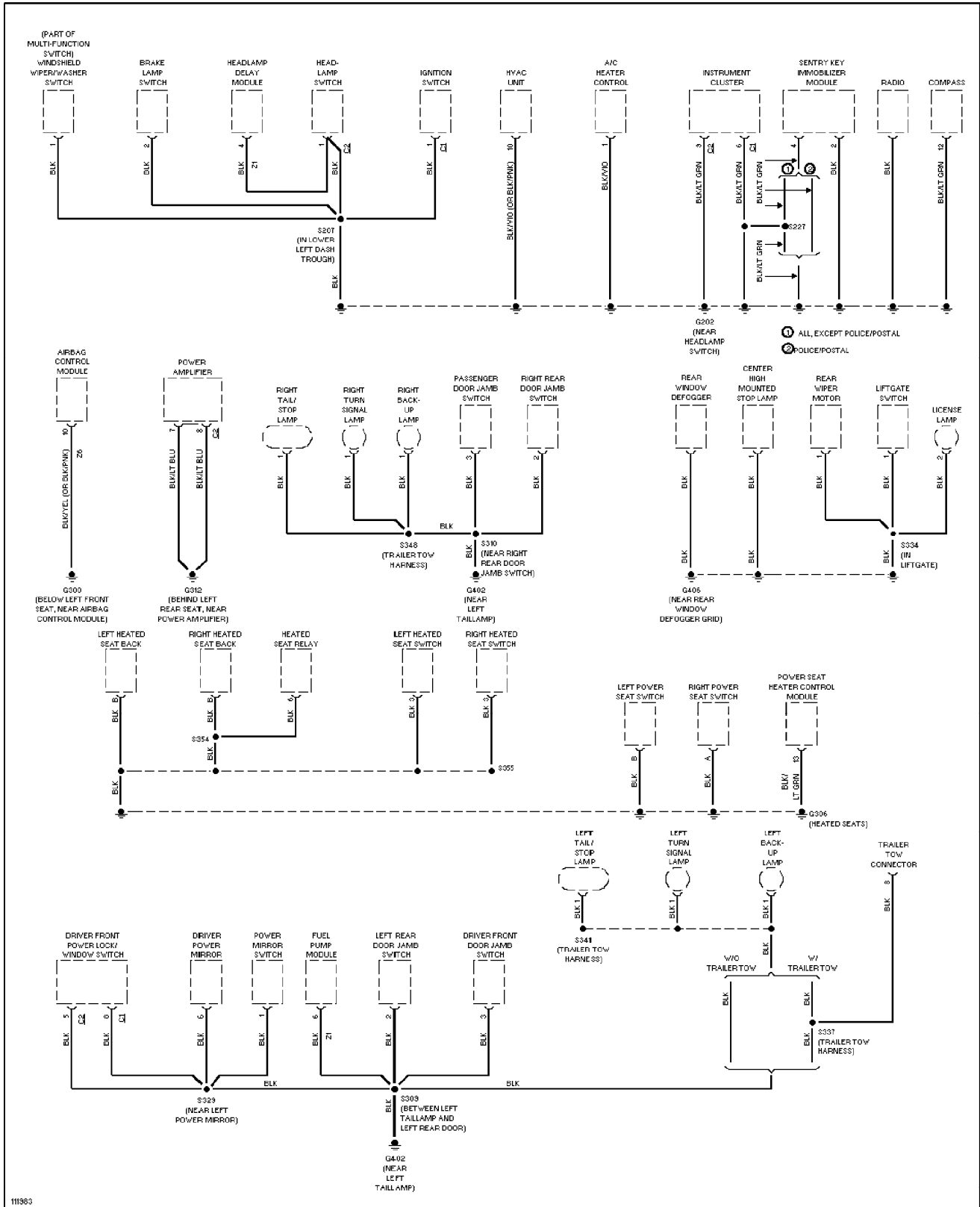
### 1999 Jeep Cherokee



# SYSTEM WIRING DIAGRAMS

## Ground Distribution Circuit (2 of 2) (p. 18)

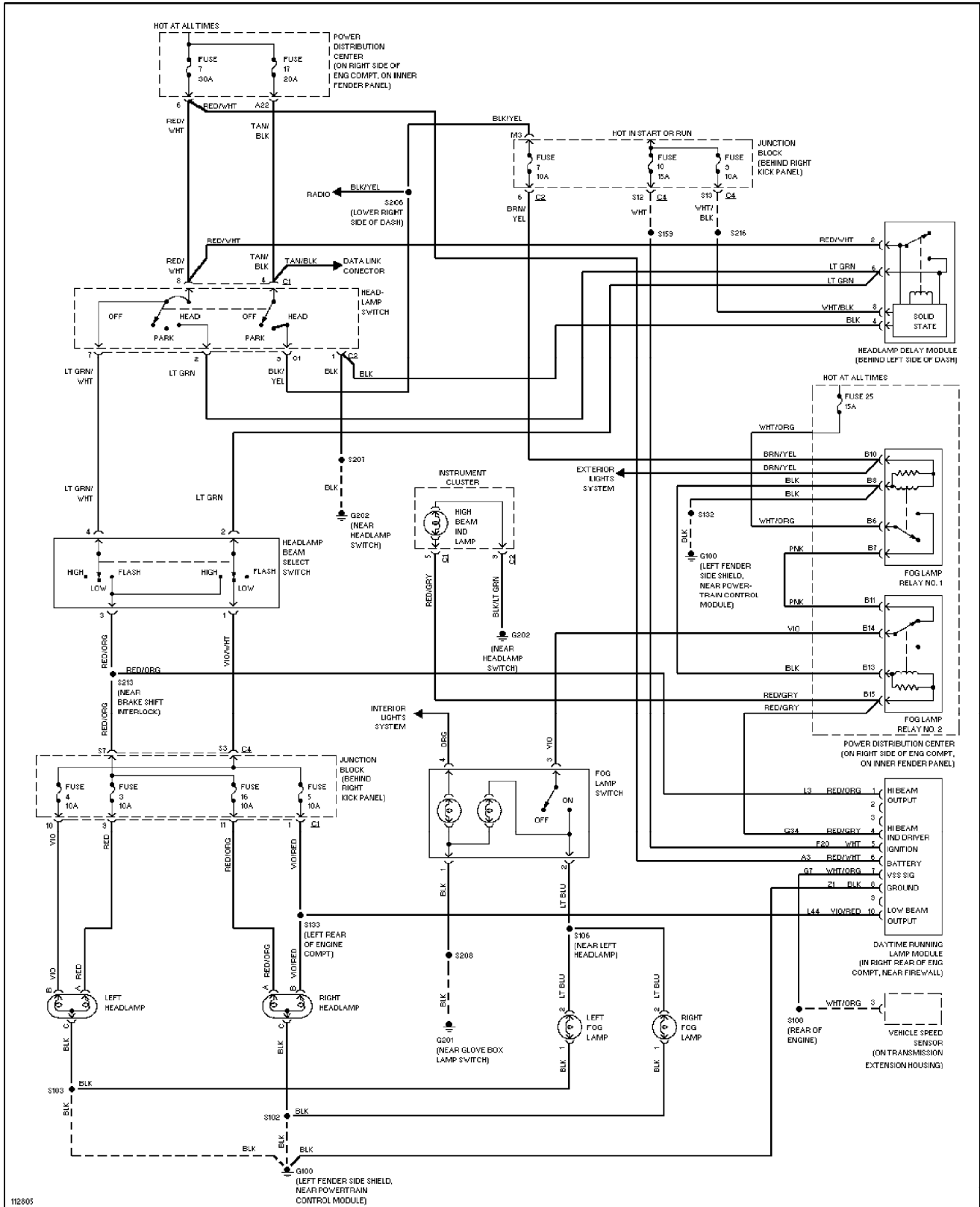
1999 Jeep Cherokee



# SYSTEM WIRING DIAGRAMS

## Headlight Circuit, W/ DRL (p. 19)

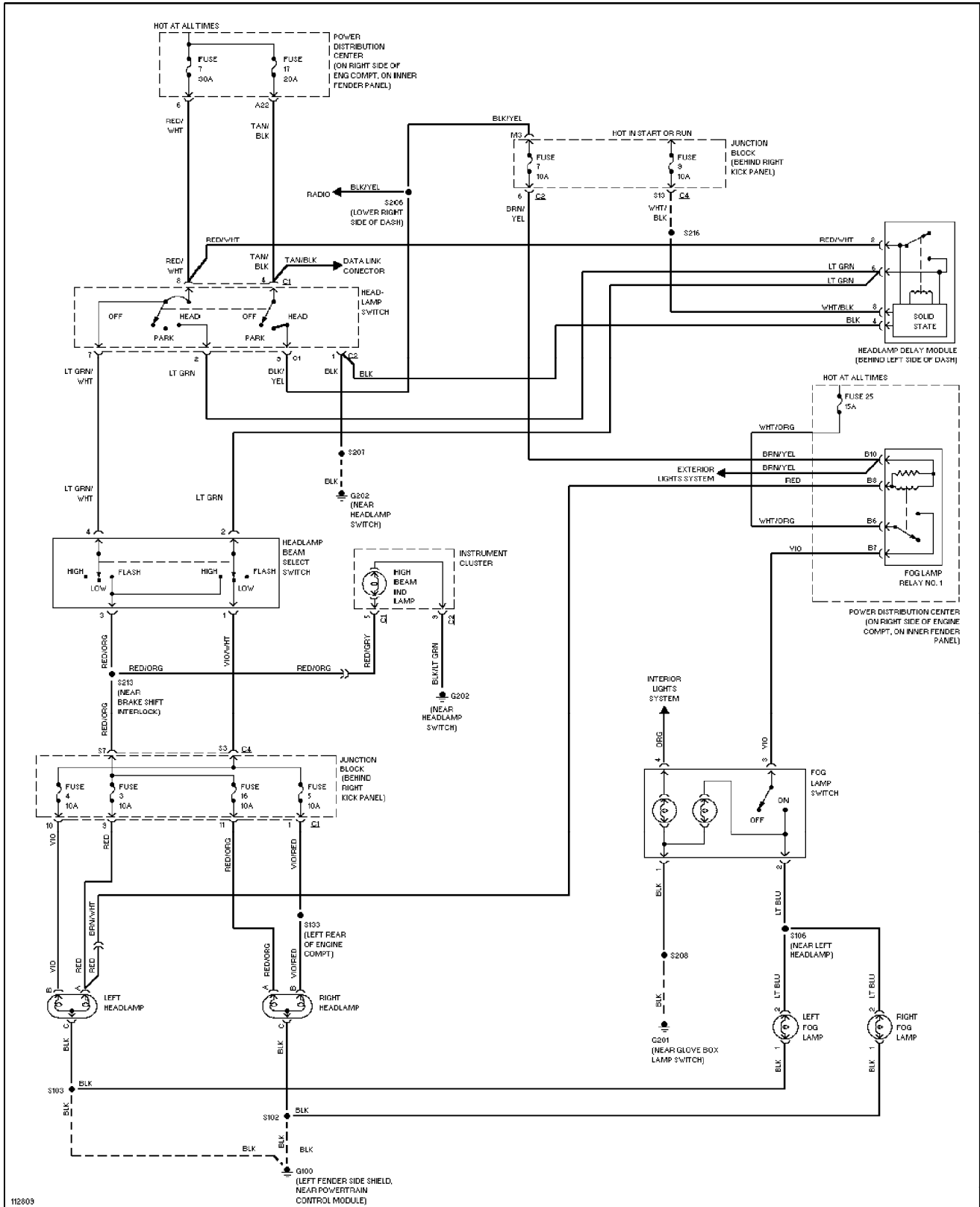
### 1999 Jeep Cherokee



# SYSTEM WIRING DIAGRAMS

## Headlight Circuit, W/O DRL (p. 20)

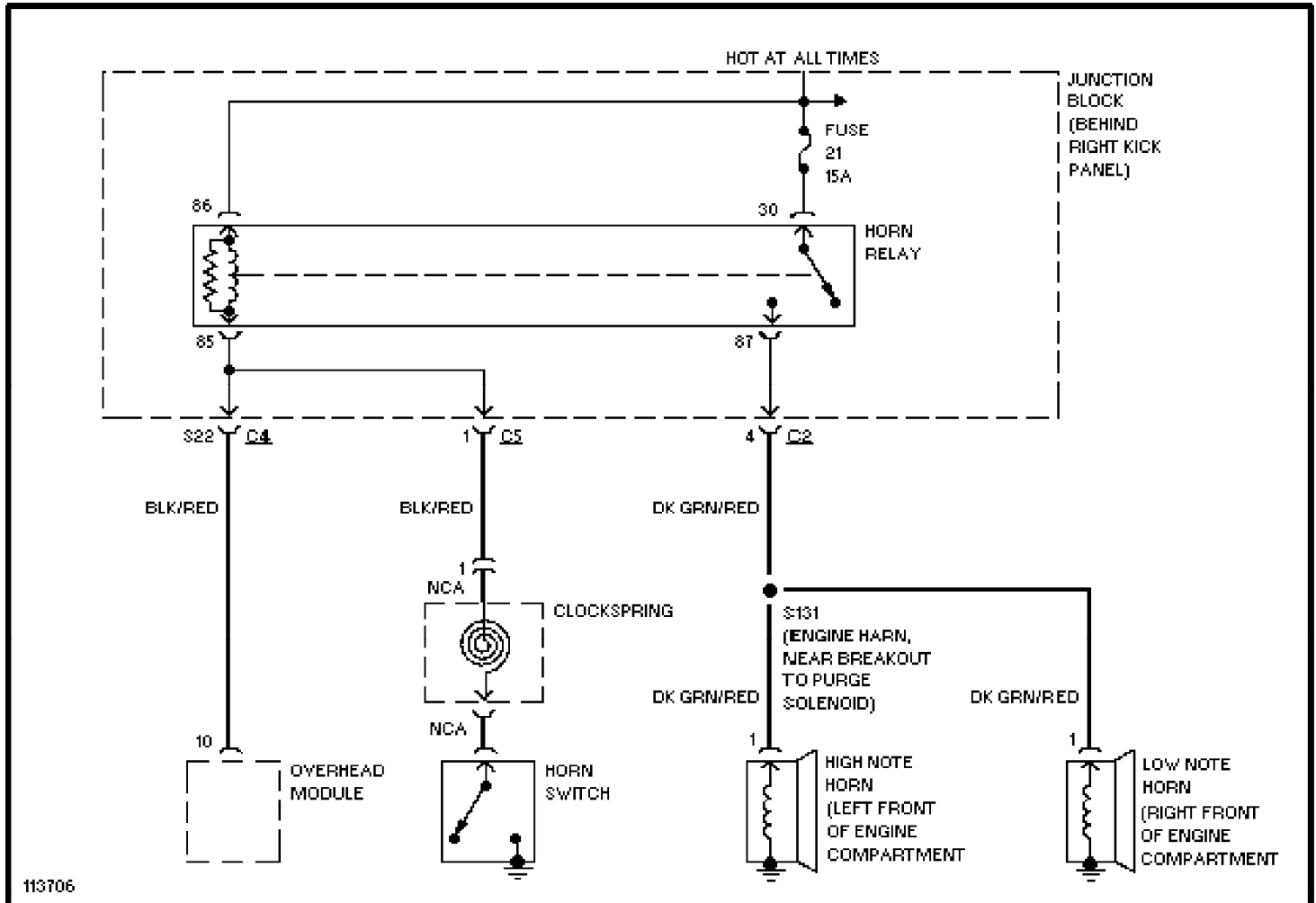
### 1999 Jeep Cherokee



# SYSTEM WIRING DIAGRAMS

## Horn Circuit (p. 21)

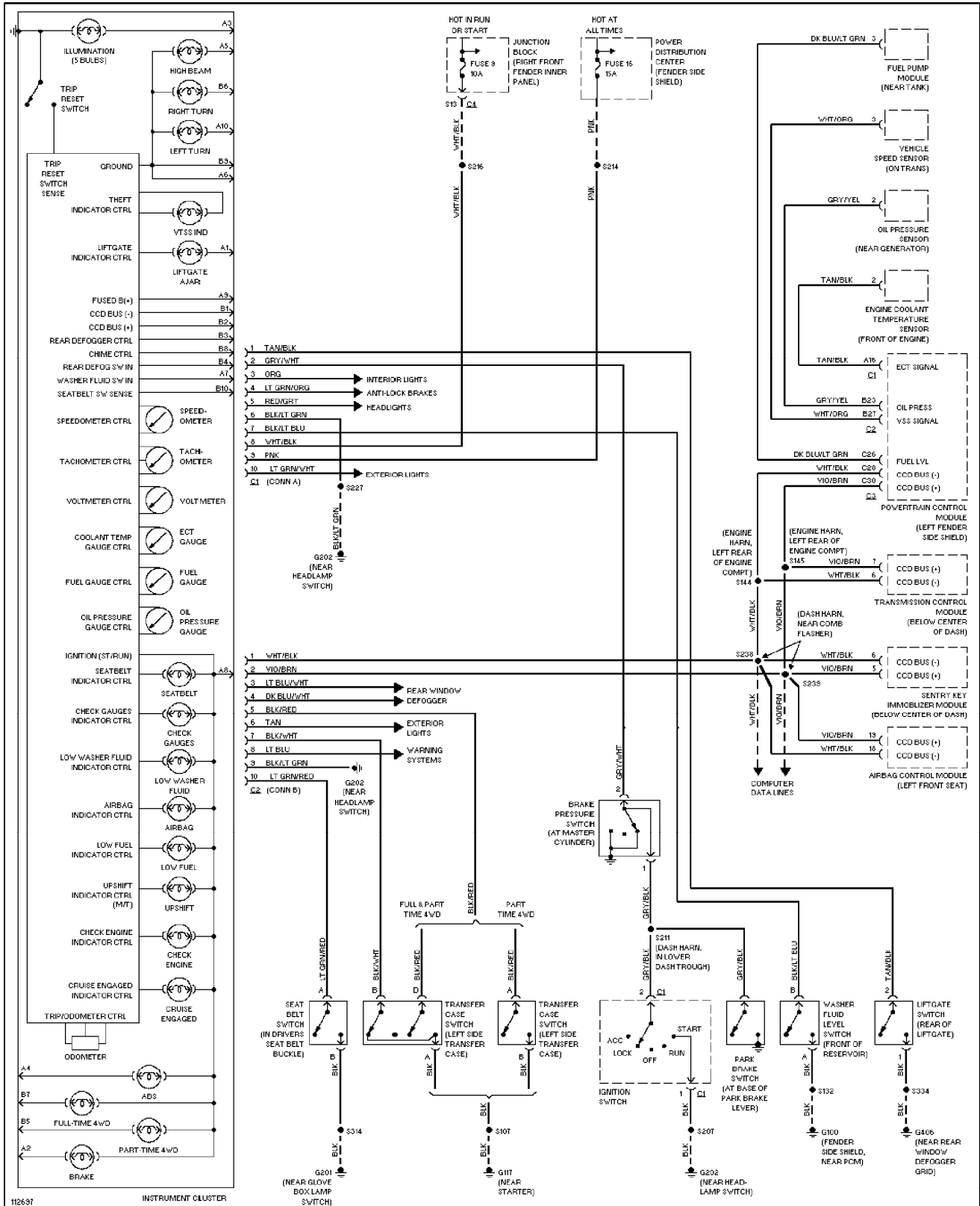
1999 Jeep Cherokee



# SYSTEM WIRING DIAGRAMS

## Instrument Cluster Circuit (p. 22)

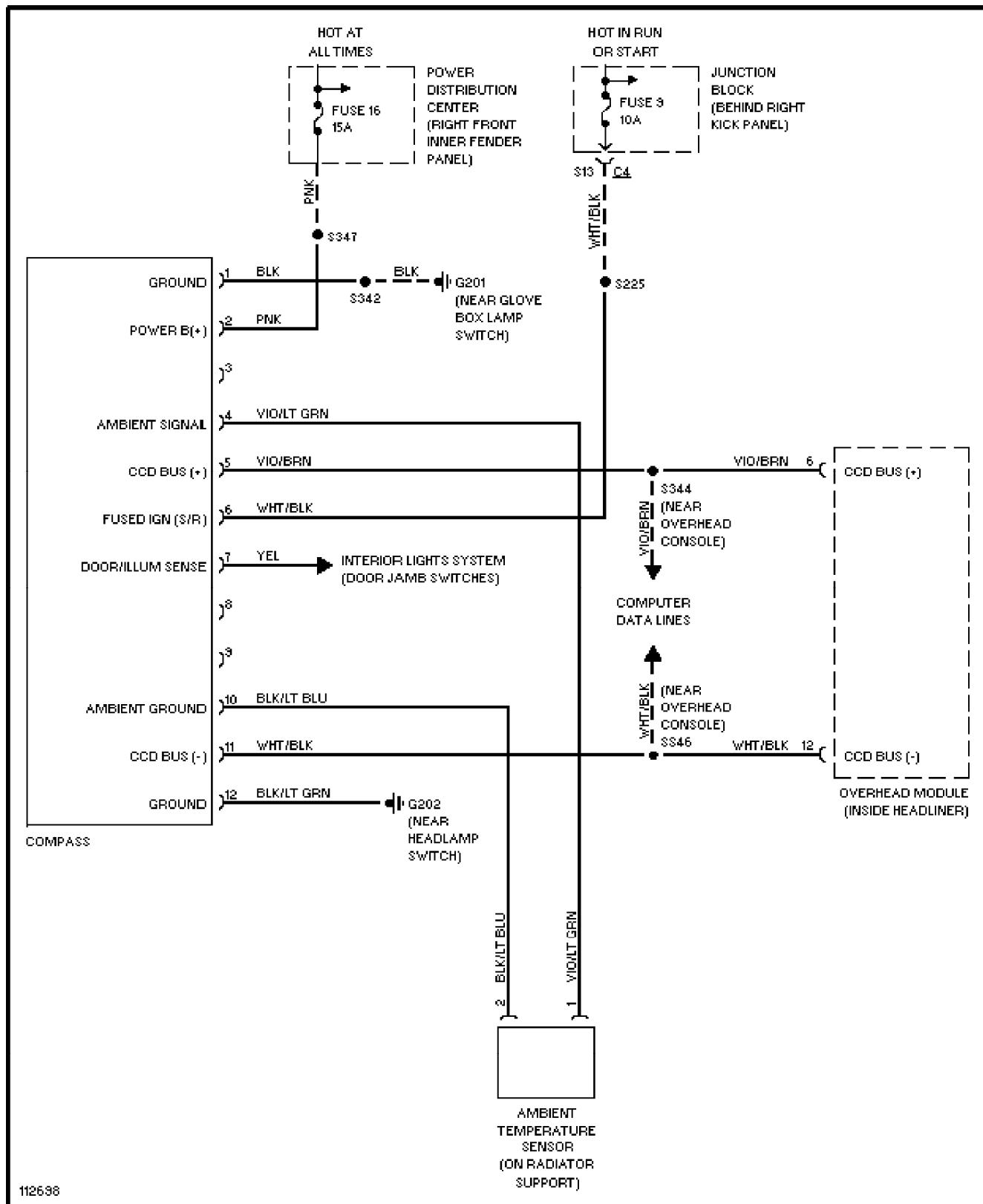
### 1999 Jeep Cherokee



# SYSTEM WIRING DIAGRAMS

## Overhead Console Circuit (p. 23)

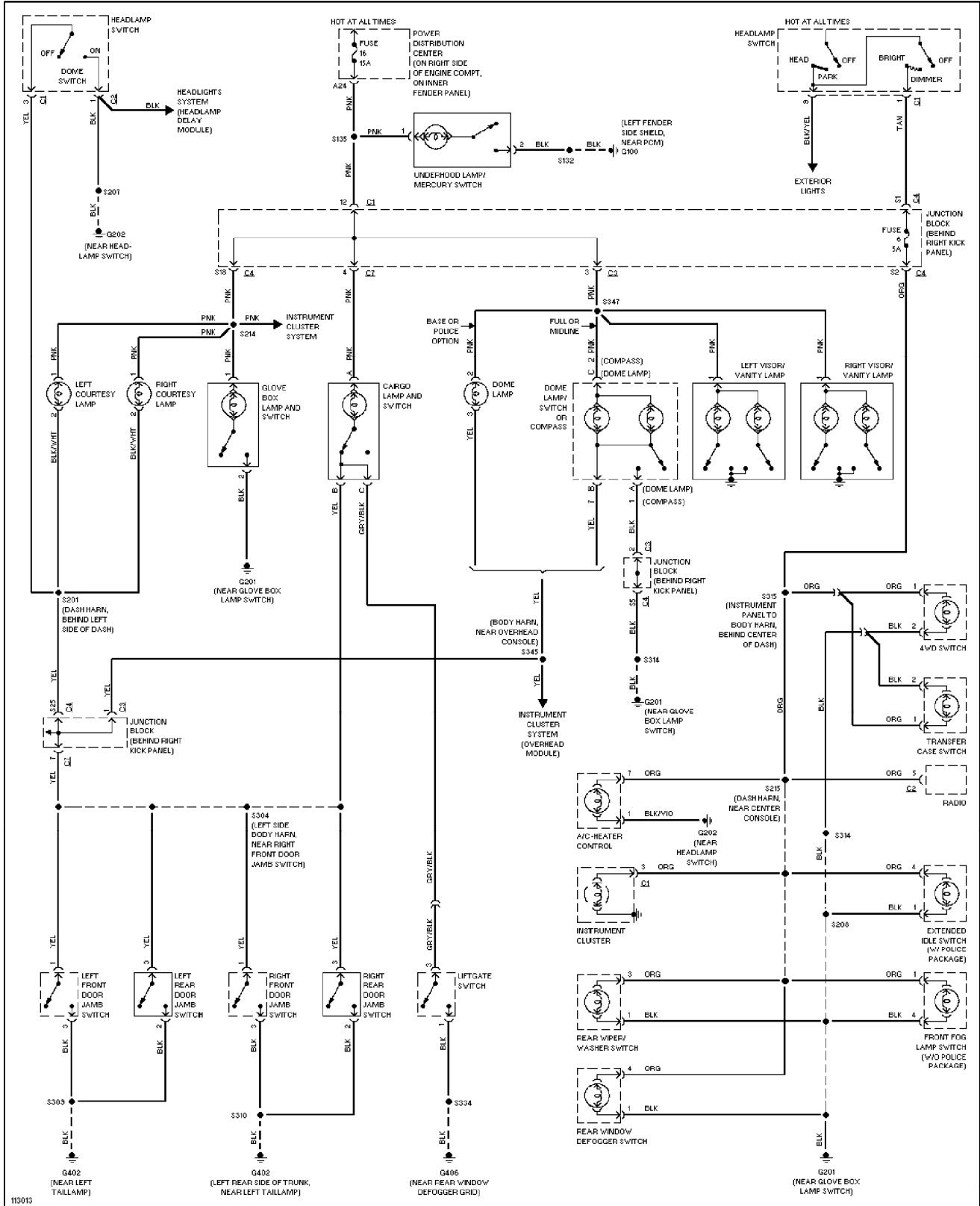
1999 Jeep Cherokee



# SYSTEM WIRING DIAGRAMS

## Interior Light Circuit (p. 24)

### 1999 Jeep Cherokee

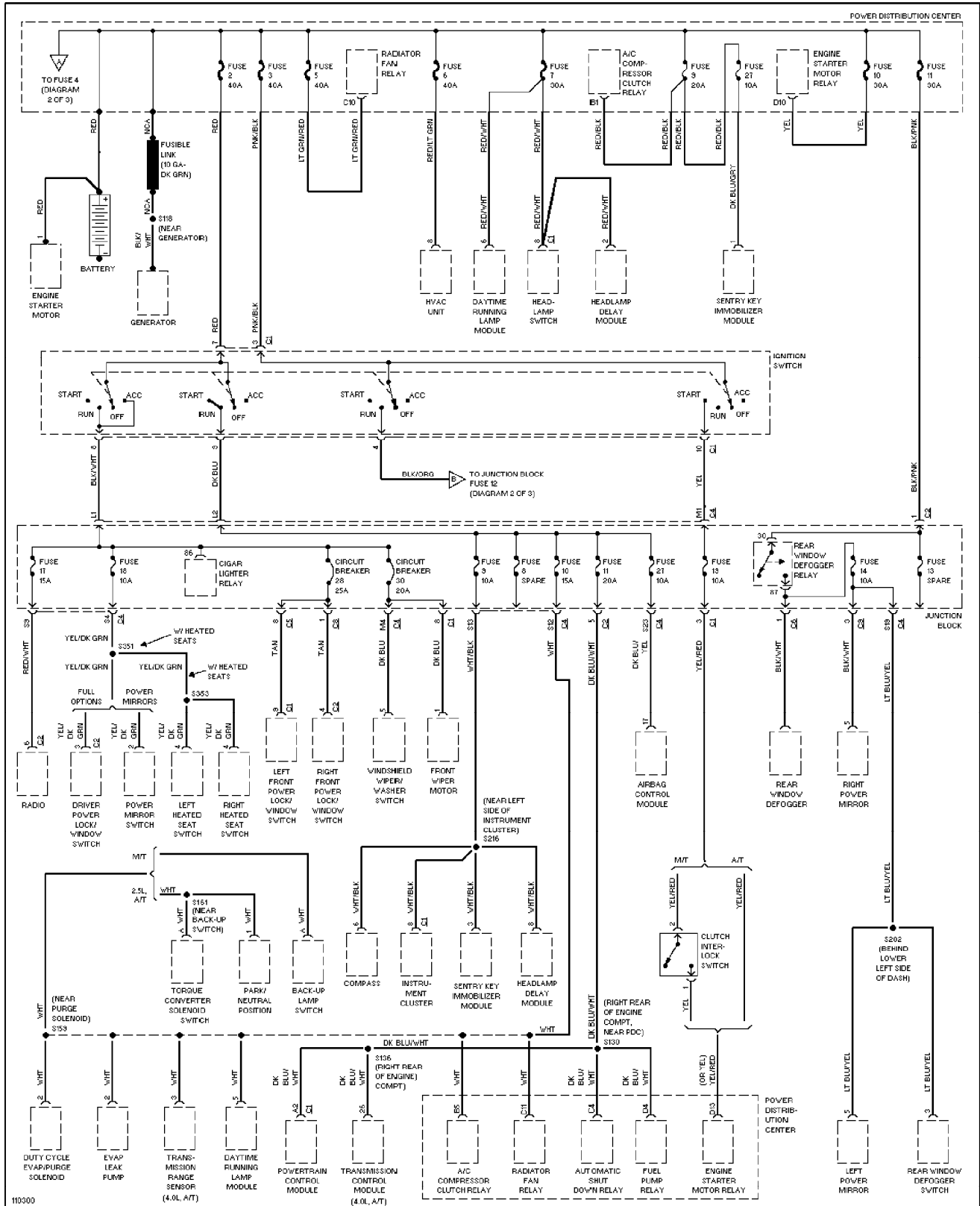




# SYSTEM WIRING DIAGRAMS

## Power Distribution Circuit (1 of 3) (p. 25)

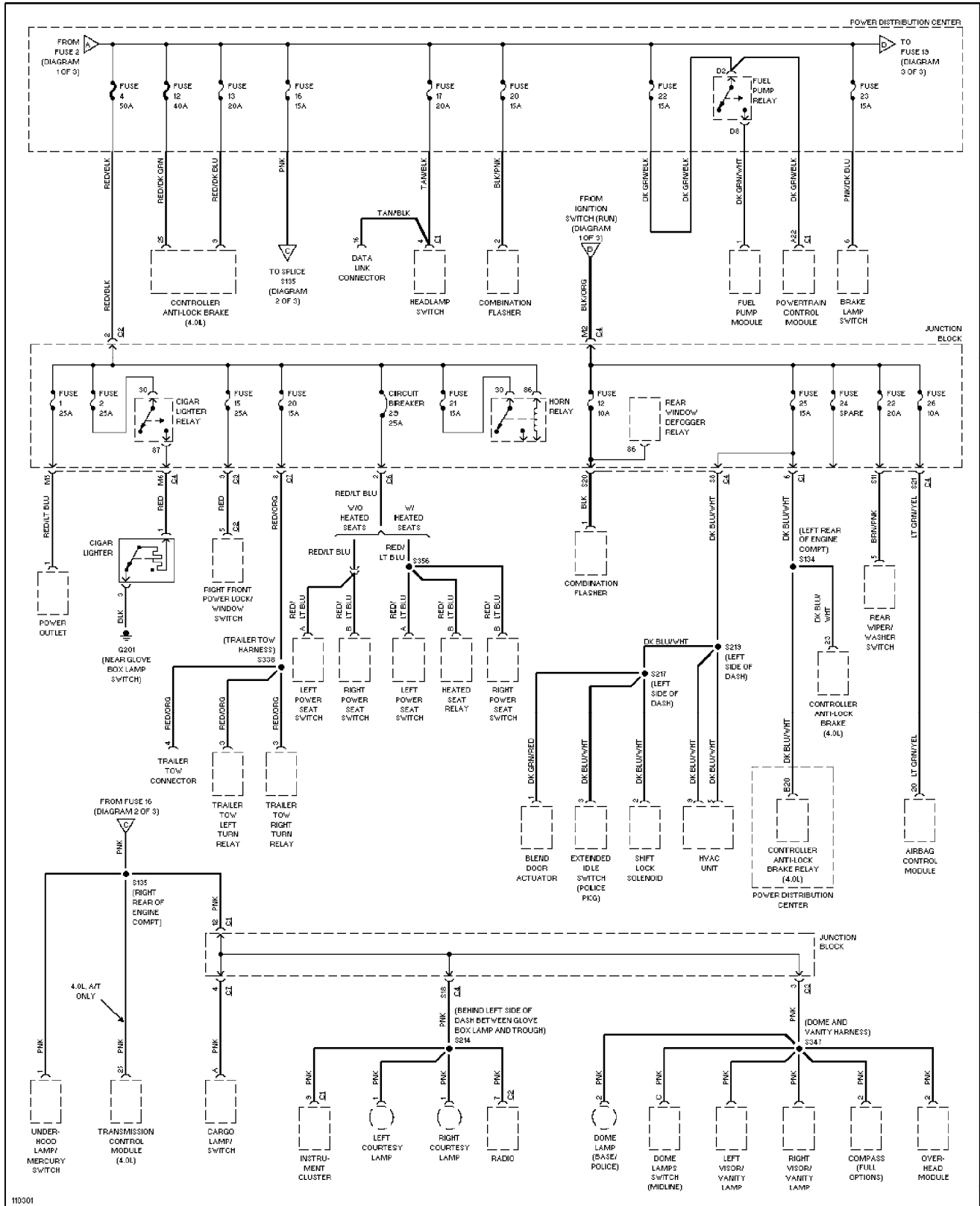
1999 Jeep Cherokee



# SYSTEM WIRING DIAGRAMS

## Power Distribution Circuit (2 of 3) (p. 26)

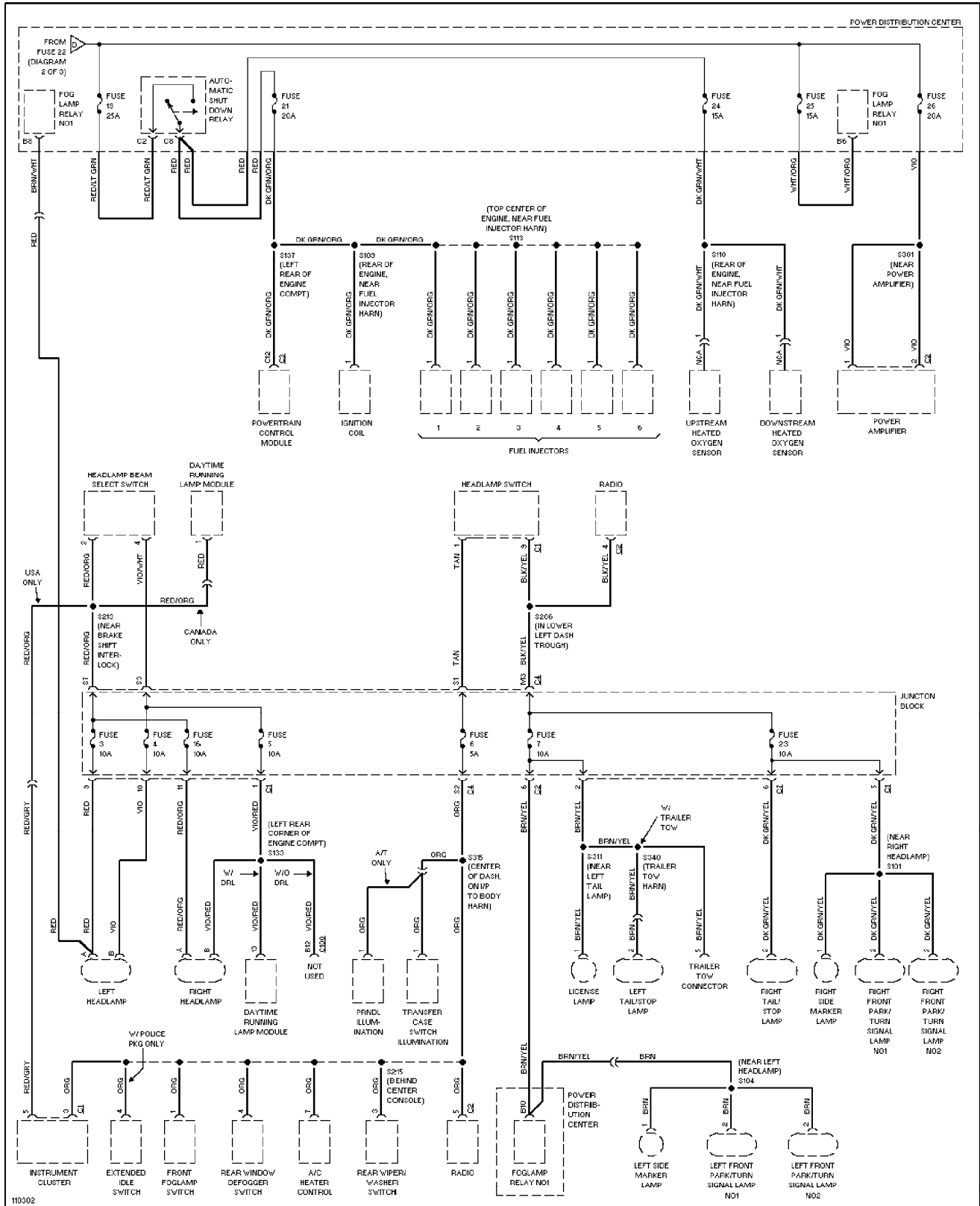
### 1999 Jeep Cherokee



# SYSTEM WIRING DIAGRAMS

## Power Distribution Circuit (3 of 3) (p. 27)

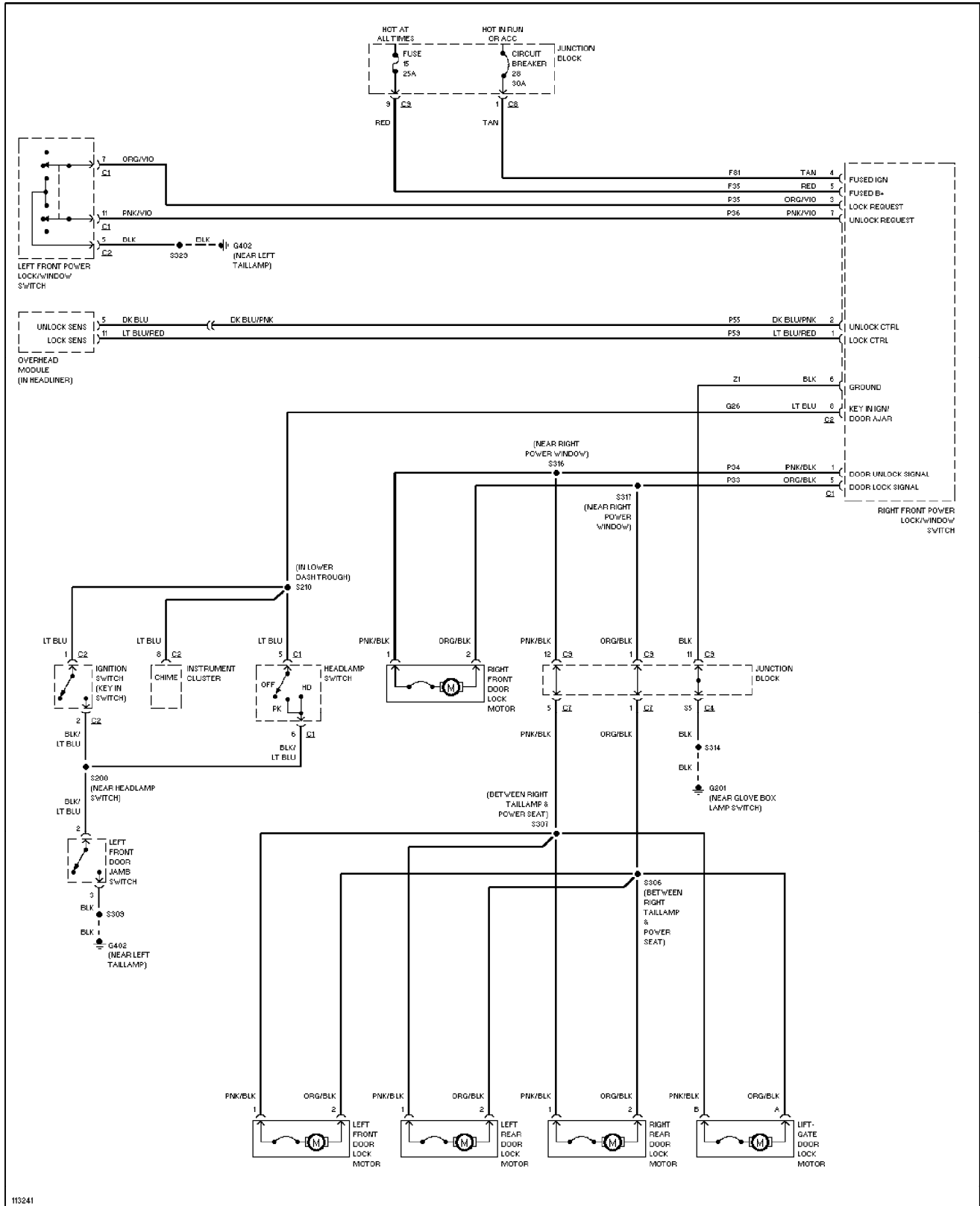
### 1999 Jeep Cherokee



# SYSTEM WIRING DIAGRAMS

## Power Door Lock Circuit (p. 28)

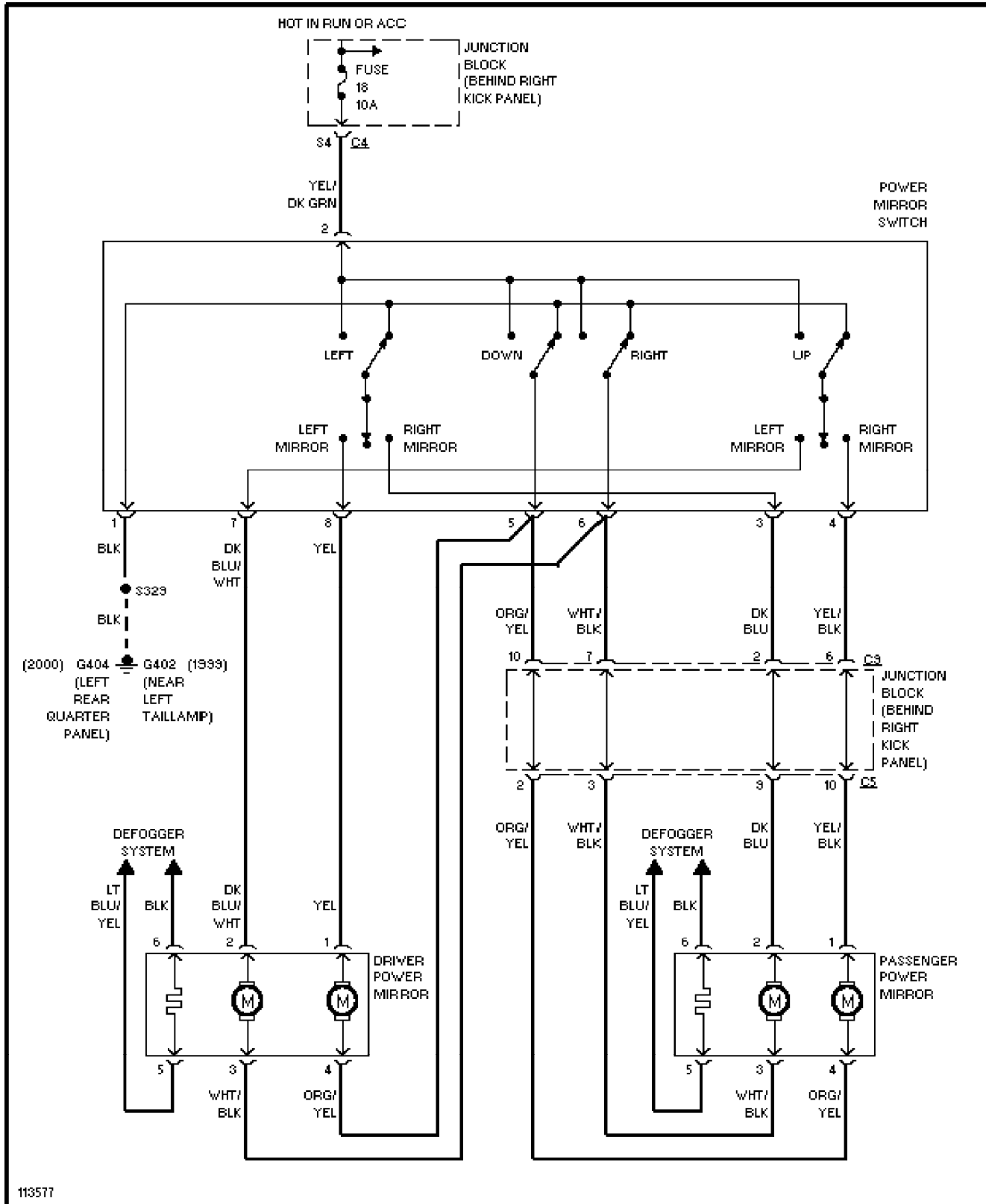
1999 Jeep Cherokee



# SYSTEM WIRING DIAGRAMS

## Power Mirror Circuit, Except Full Options (p. 29)

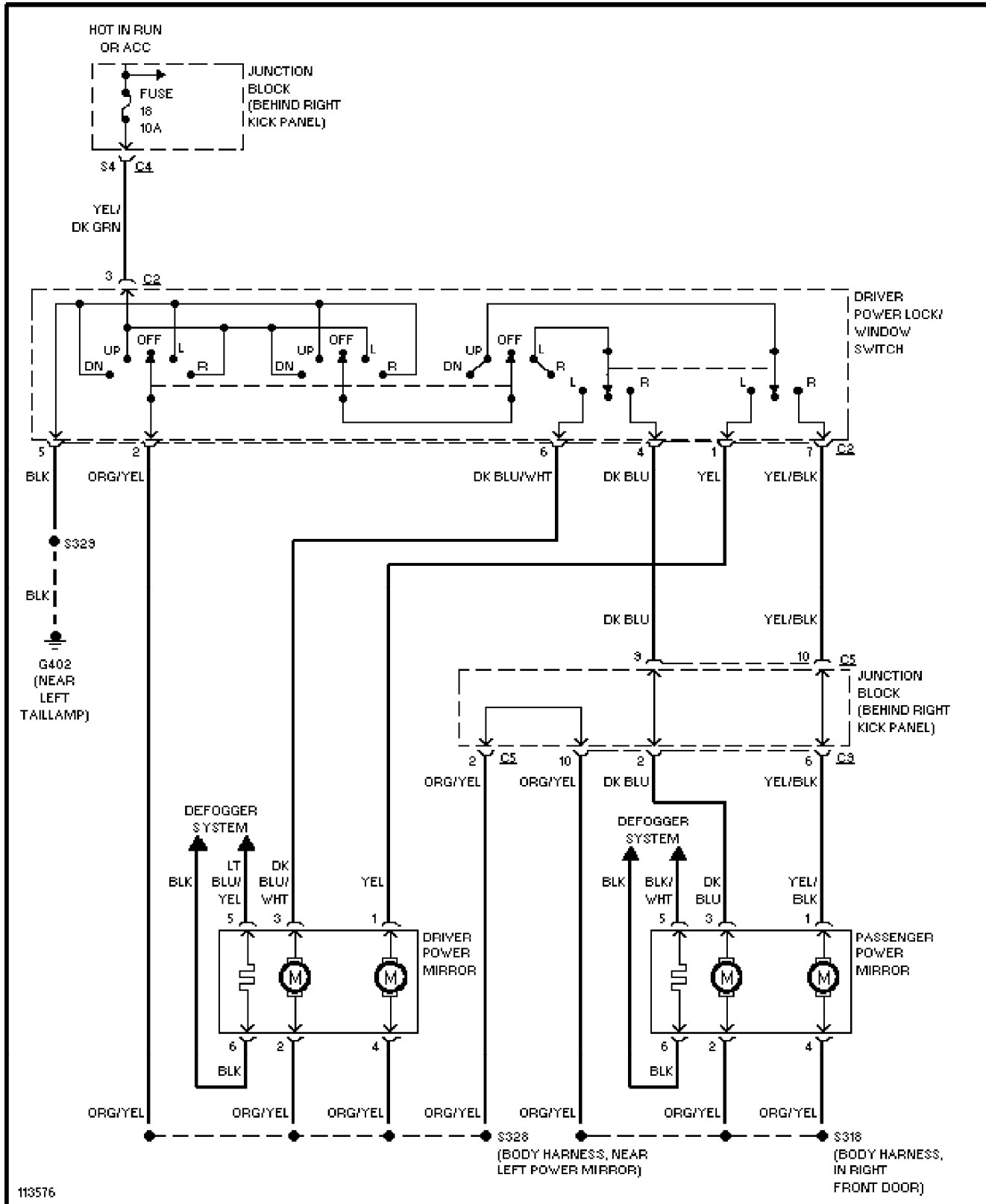
1999 Jeep Cherokee



# SYSTEM WIRING DIAGRAMS

## Power Mirror Circuit, W/ Full Options (p. 30)

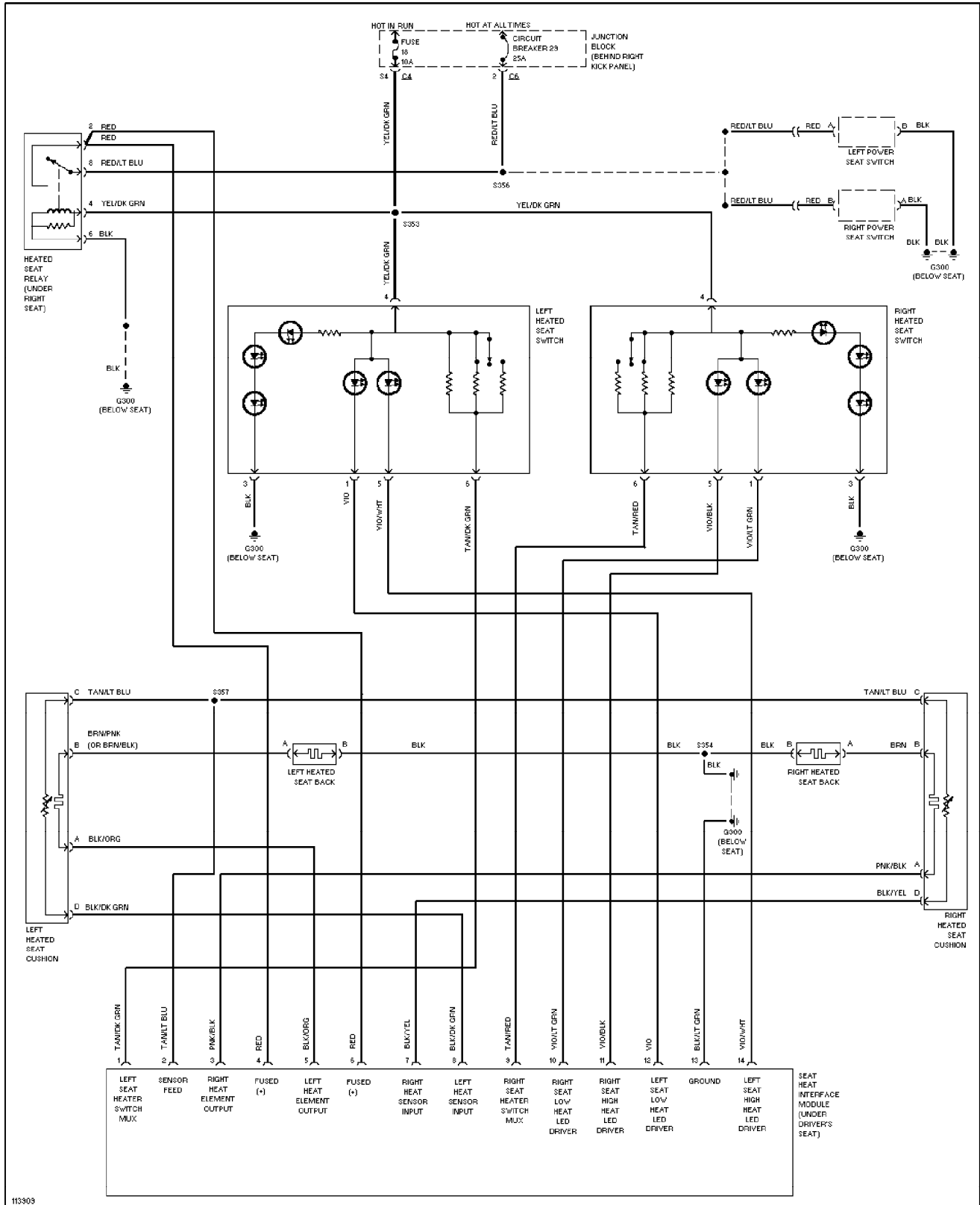
1999 Jeep Cherokee



# SYSTEM WIRING DIAGRAMS

## Heated Seats Circuit (p. 31)

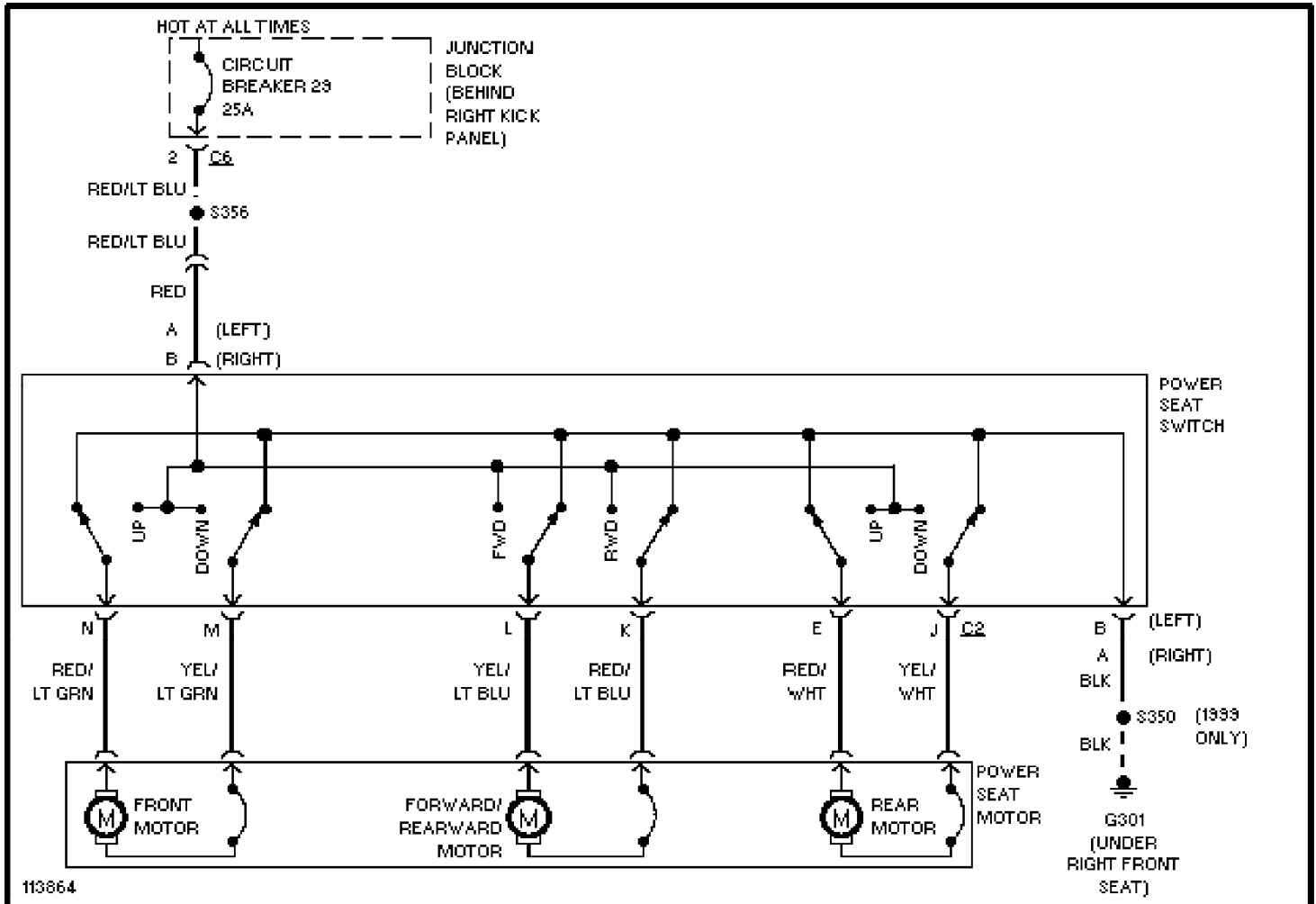
1999 Jeep Cherokee



# SYSTEM WIRING DIAGRAMS

## Power Seat Circuits (p. 32)

1999 Jeep Cherokee

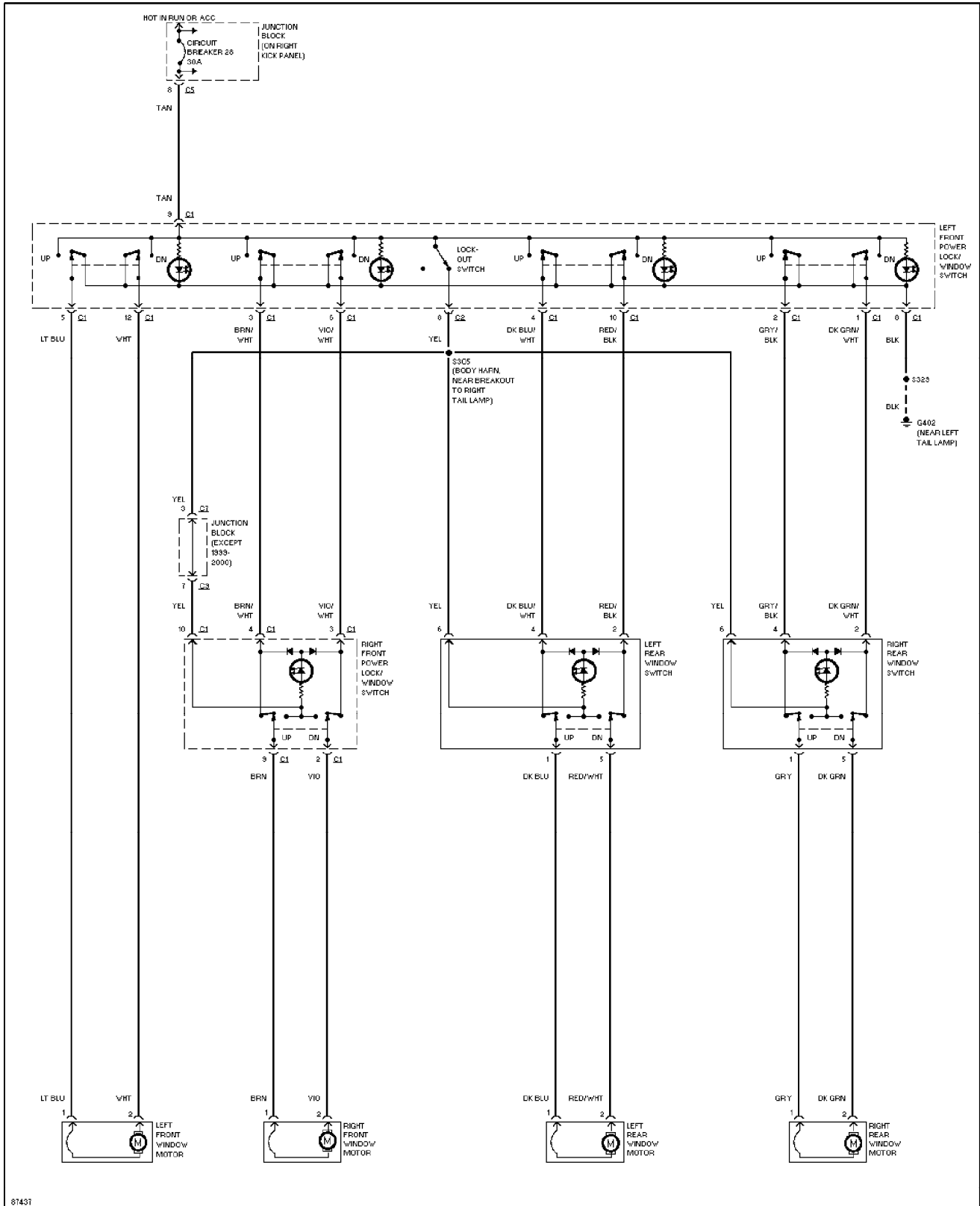




# SYSTEM WIRING DIAGRAMS

## Power Window Circuit (p. 33)

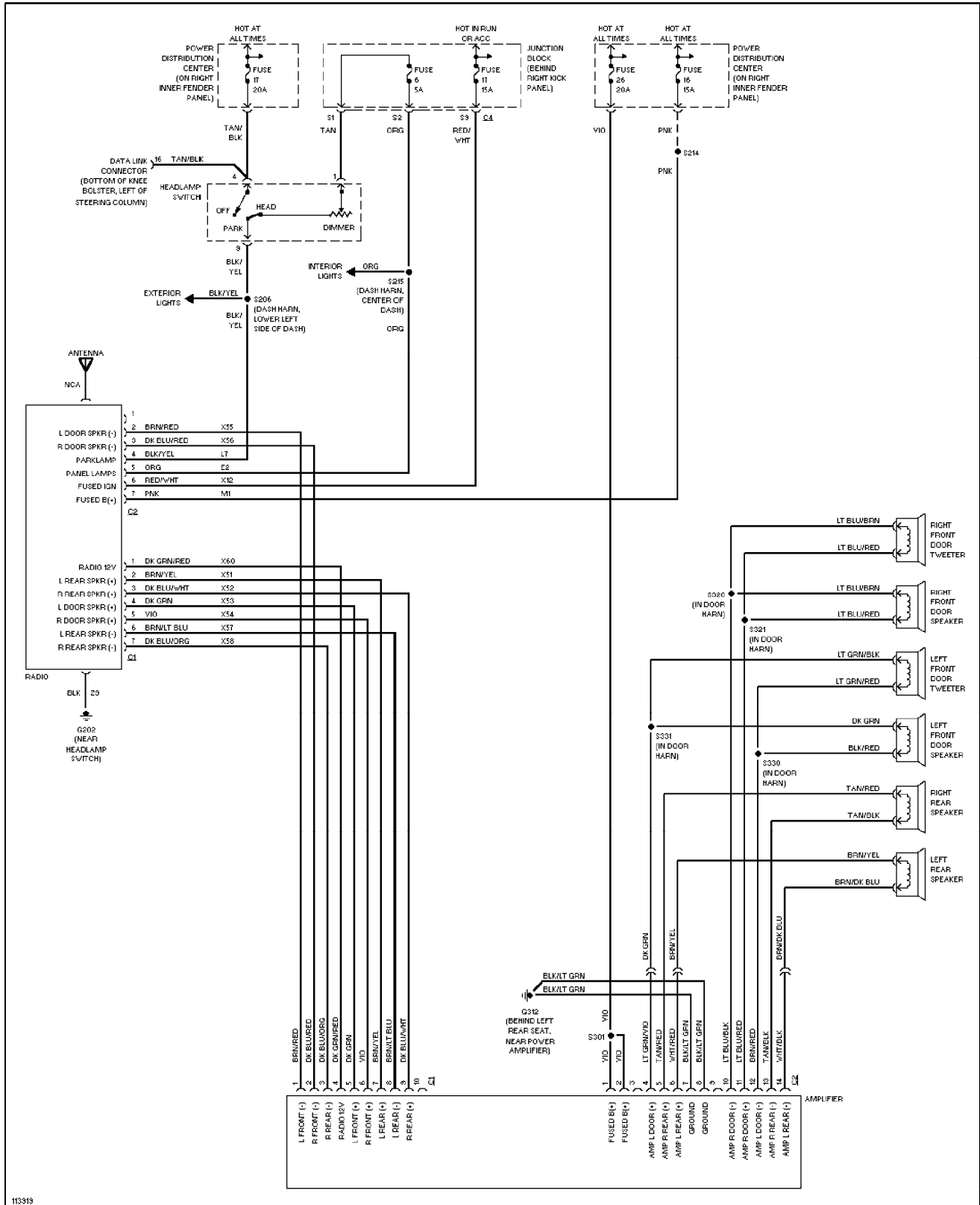
1999 Jeep Cherokee



# SYSTEM WIRING DIAGRAMS

## Radio Circuits, W/ Amplifier (p. 34)

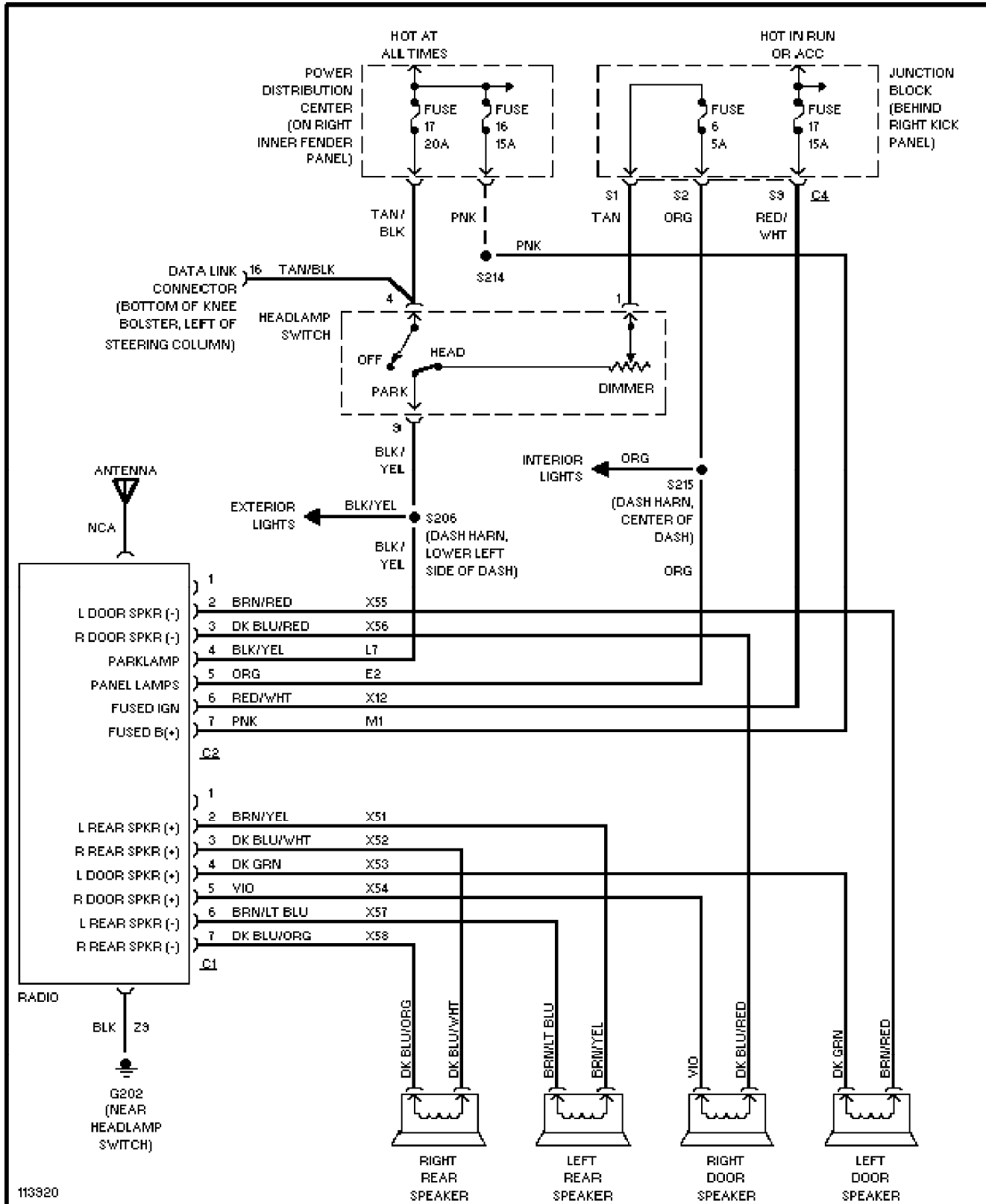
### 1999 Jeep Cherokee



# SYSTEM WIRING DIAGRAMS

## Radio Circuits, W/O Amplifier (p. 35)

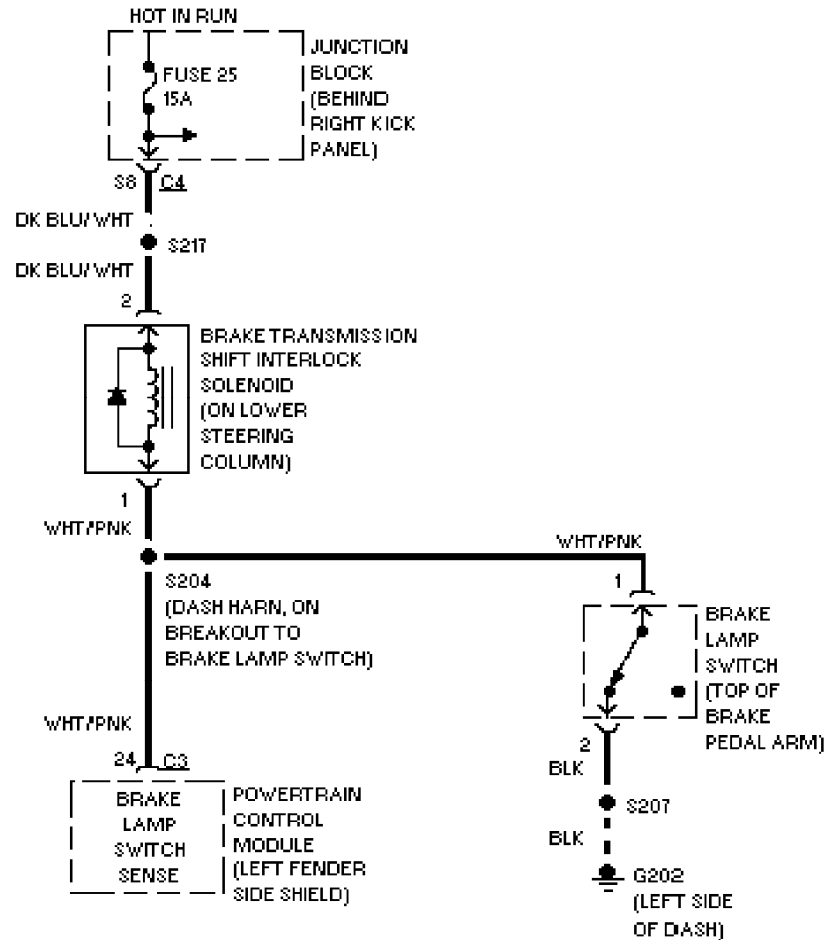
1999 Jeep Cherokee



# SYSTEM WIRING DIAGRAMS

## Shift Interlock Circuit (p. 36)

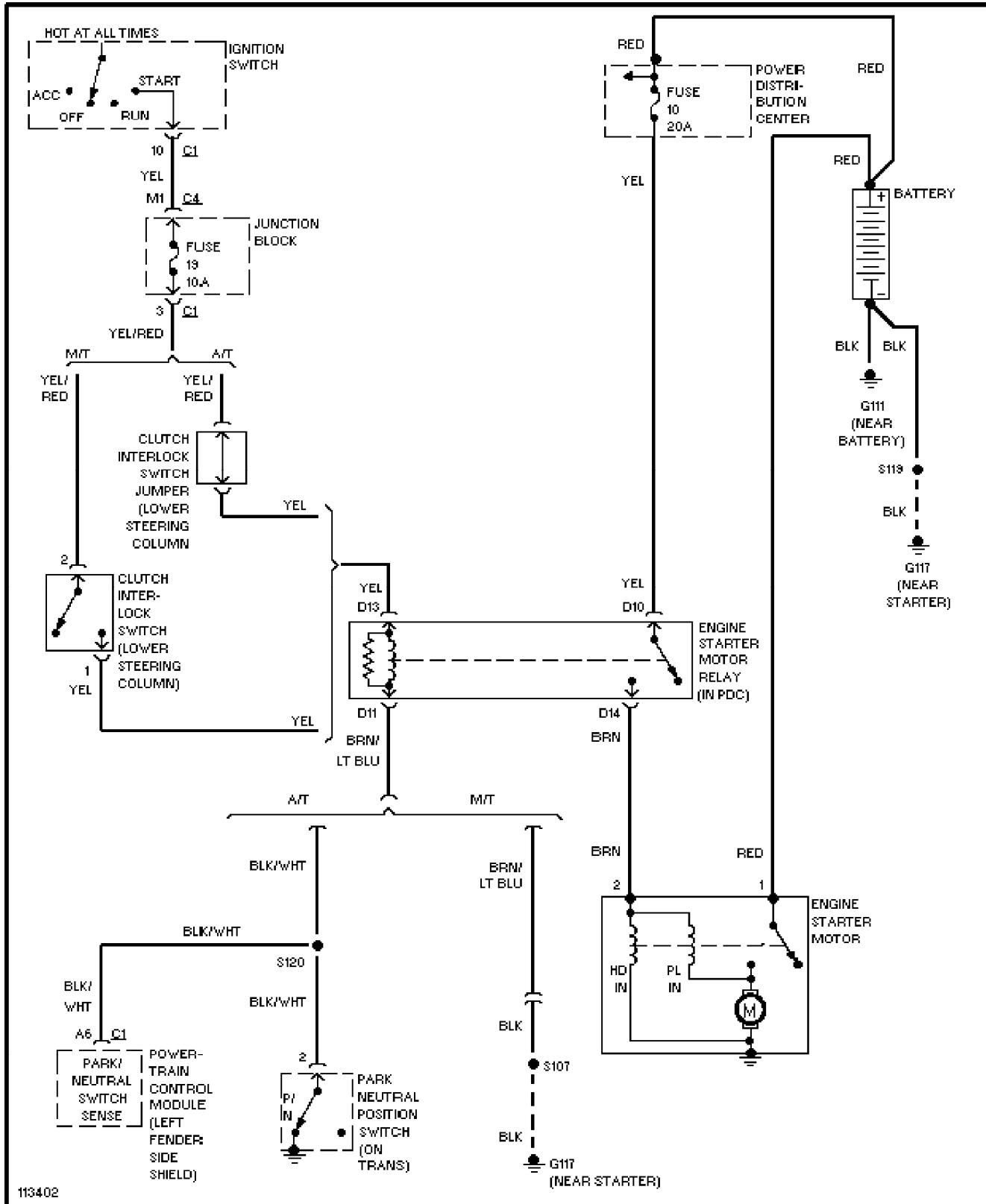
1999 Jeep Cherokee



# SYSTEM WIRING DIAGRAMS

## 2.5L, Starting Circuit (p. 37)

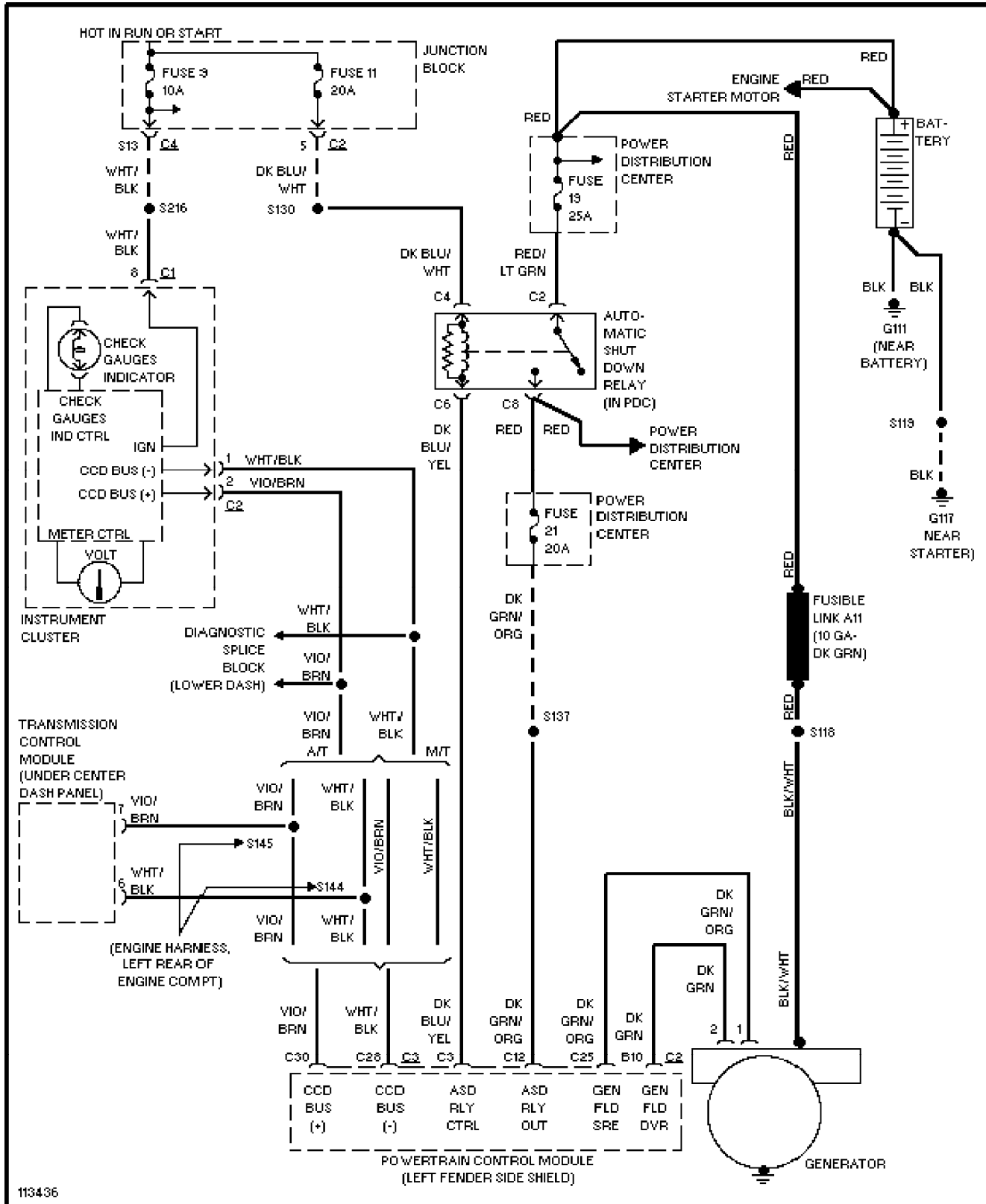
1999 Jeep Cherokee



# SYSTEM WIRING DIAGRAMS

## Charging Circuit (p. 38)

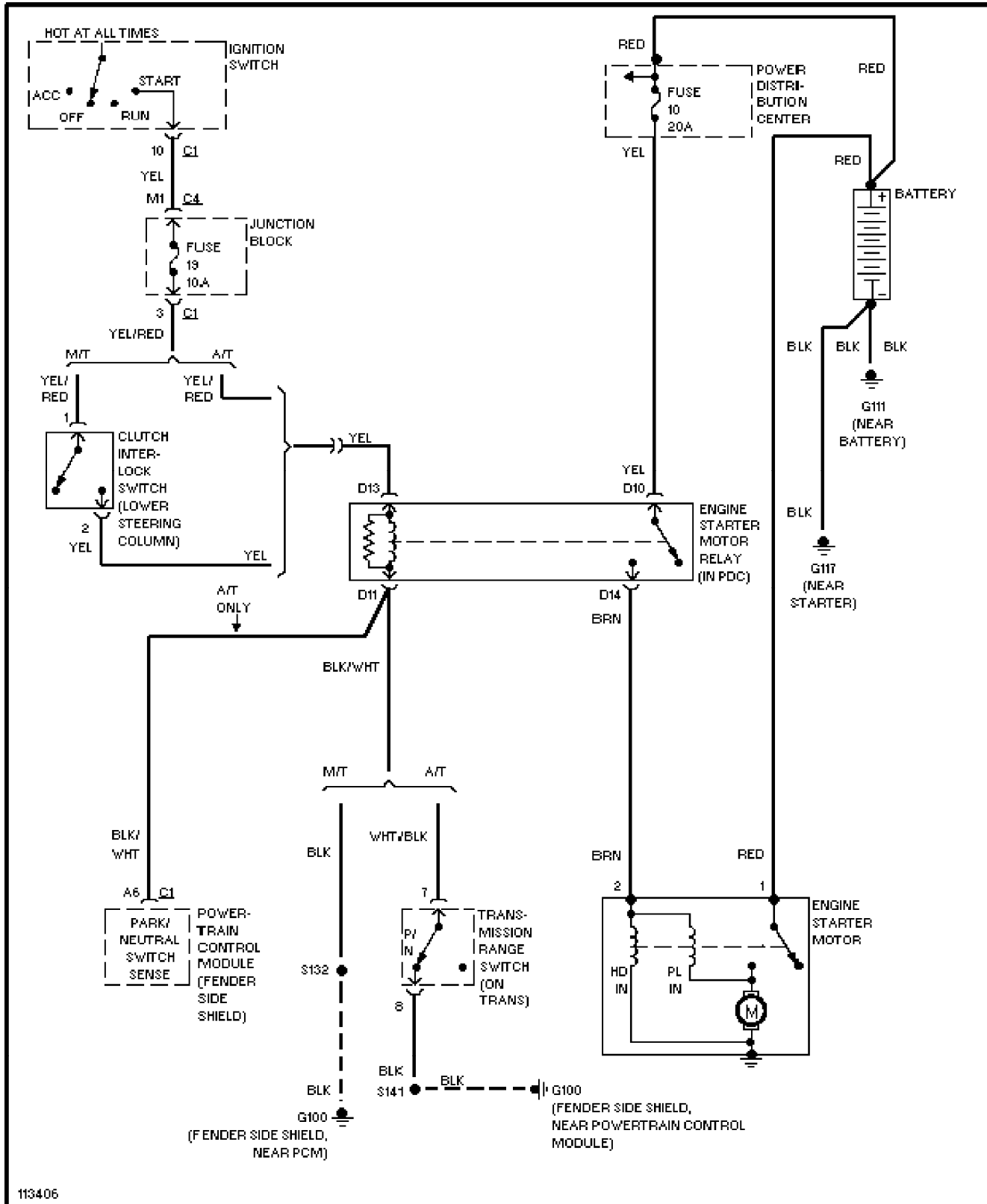
1999 Jeep Cherokee



# SYSTEM WIRING DIAGRAMS

## 4.0L, Starting Circuit (p. 39)

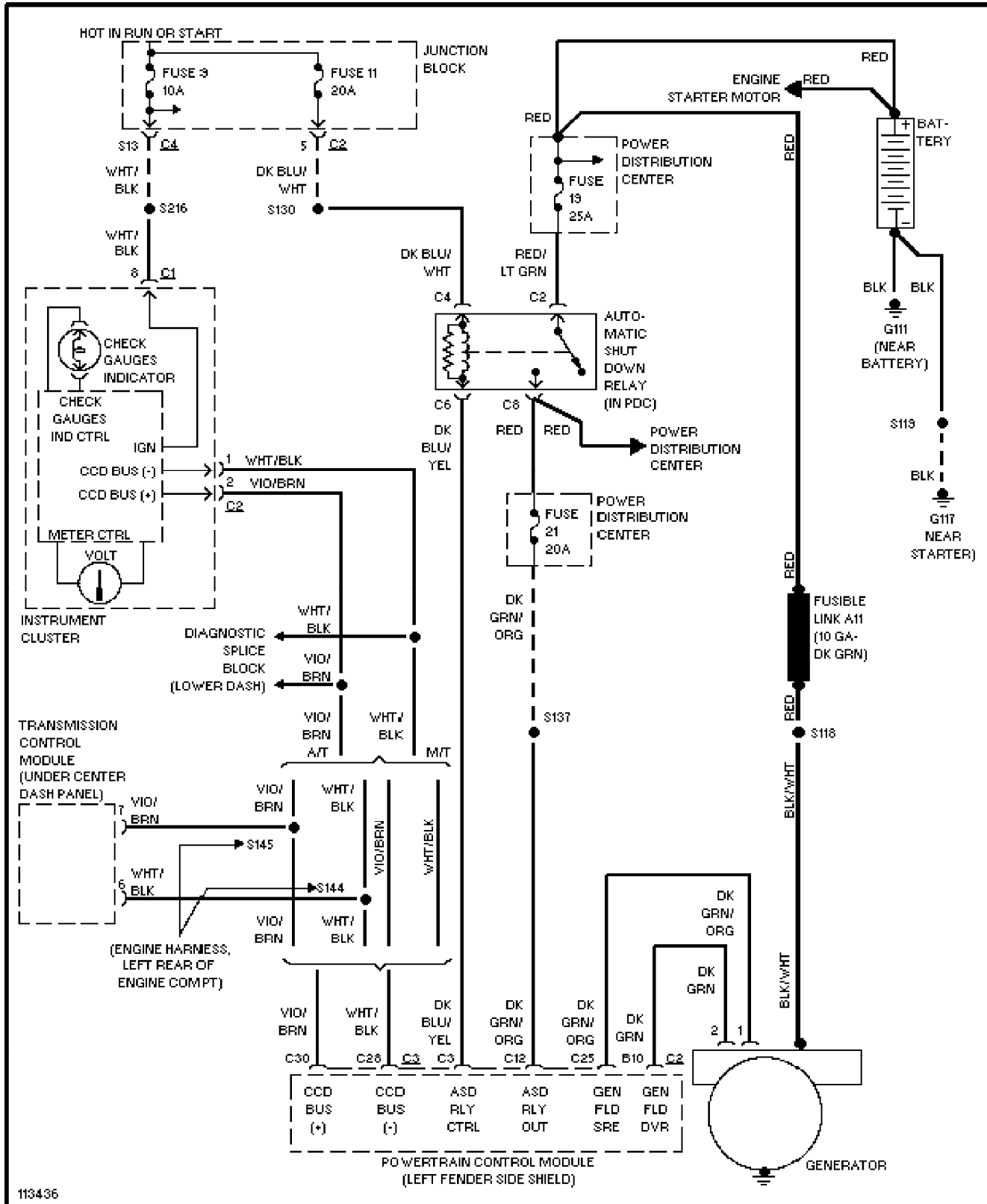
1999 Jeep Cherokee



# SYSTEM WIRING DIAGRAMS

## Charging Circuit (p. 40)

1999 Jeep Cherokee

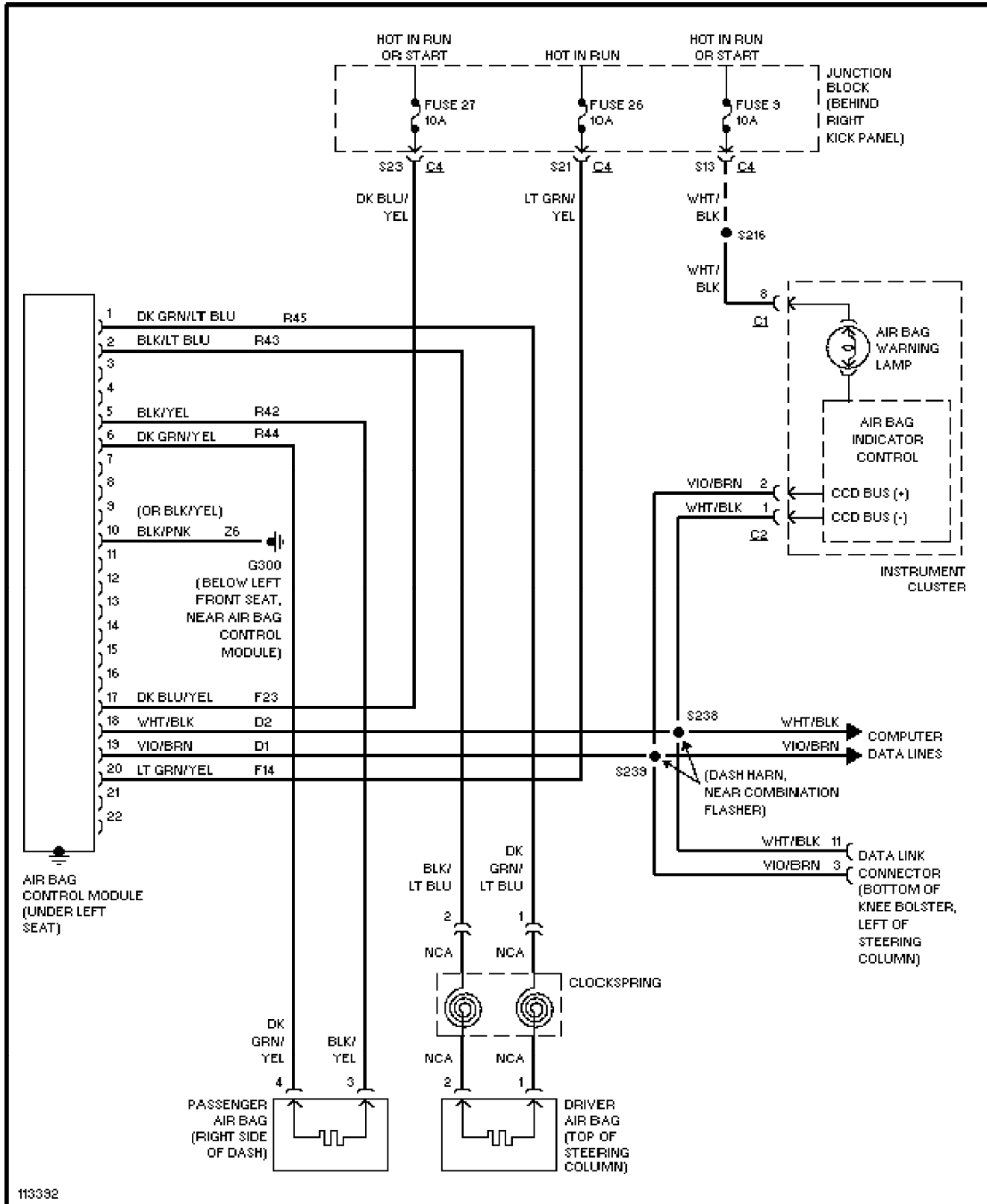




# SYSTEM WIRING DIAGRAMS

## Supplemental Restraint Circuit (p. 41)

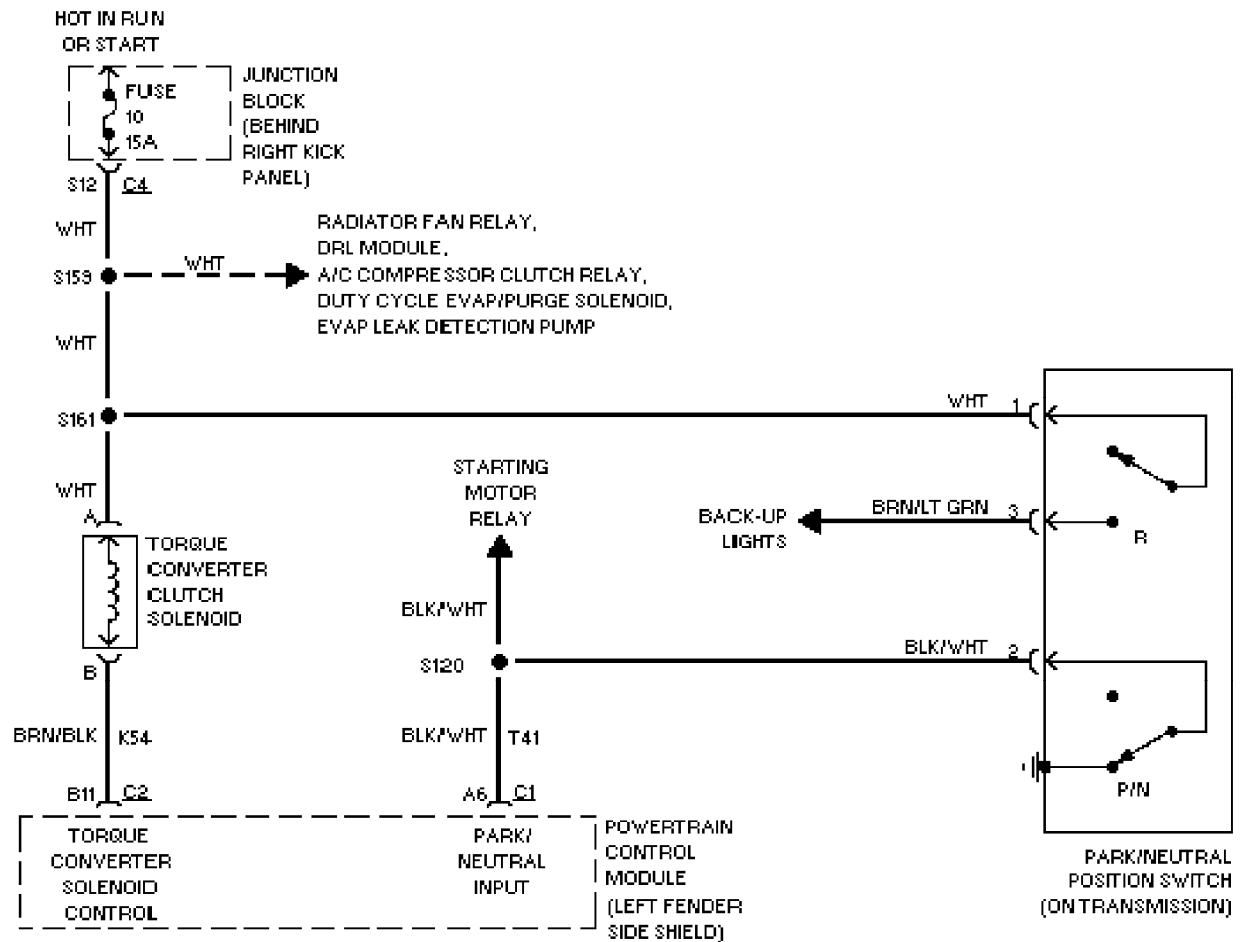
1999 Jeep Cherokee



# SYSTEM WIRING DIAGRAMS

## 2.5L, TCC Solenoid Circuit (p. 42)

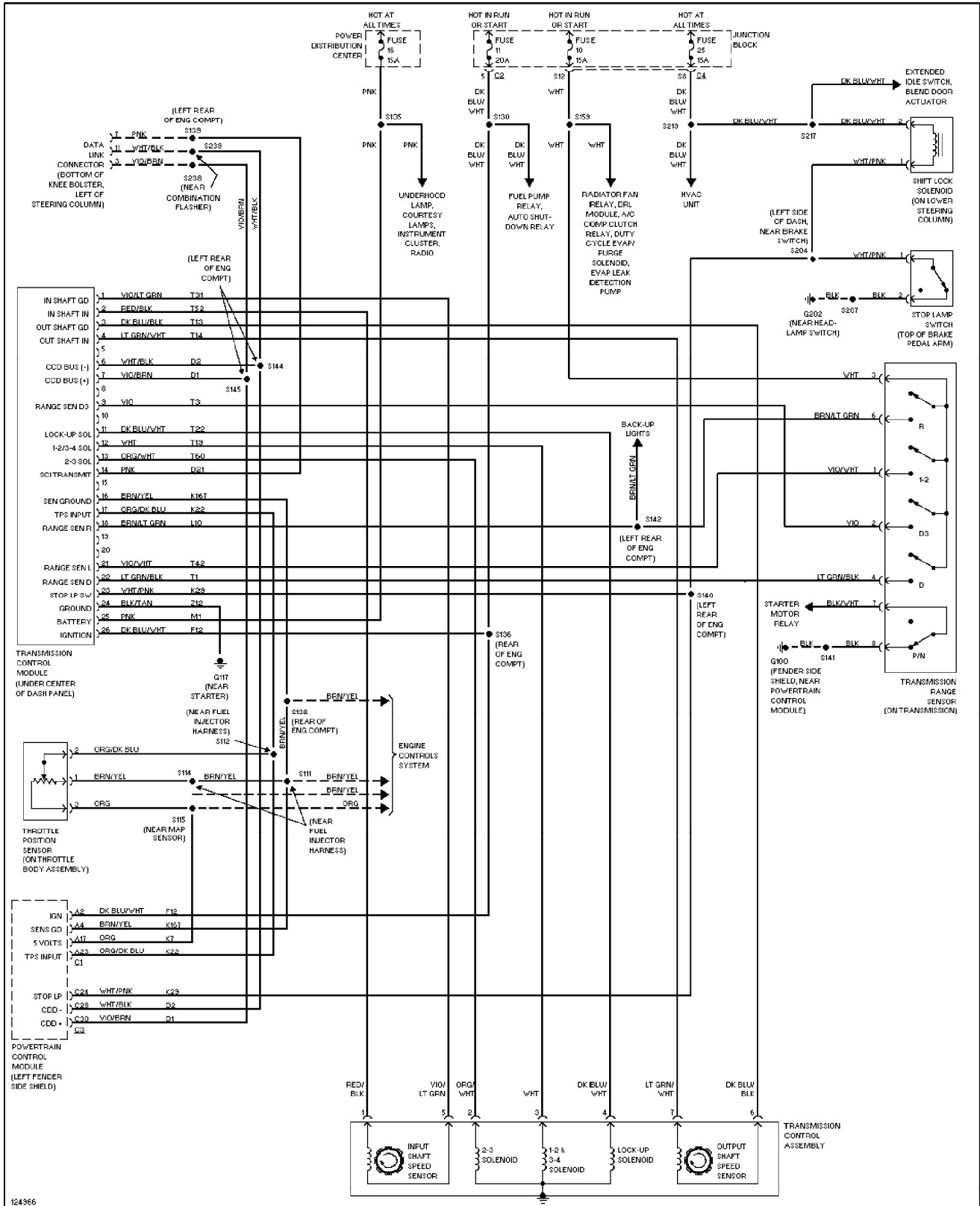
1999 Jeep Cherokee



# SYSTEM WIRING DIAGRAMS

## 4.0L, A/T Circuit (p. 43)

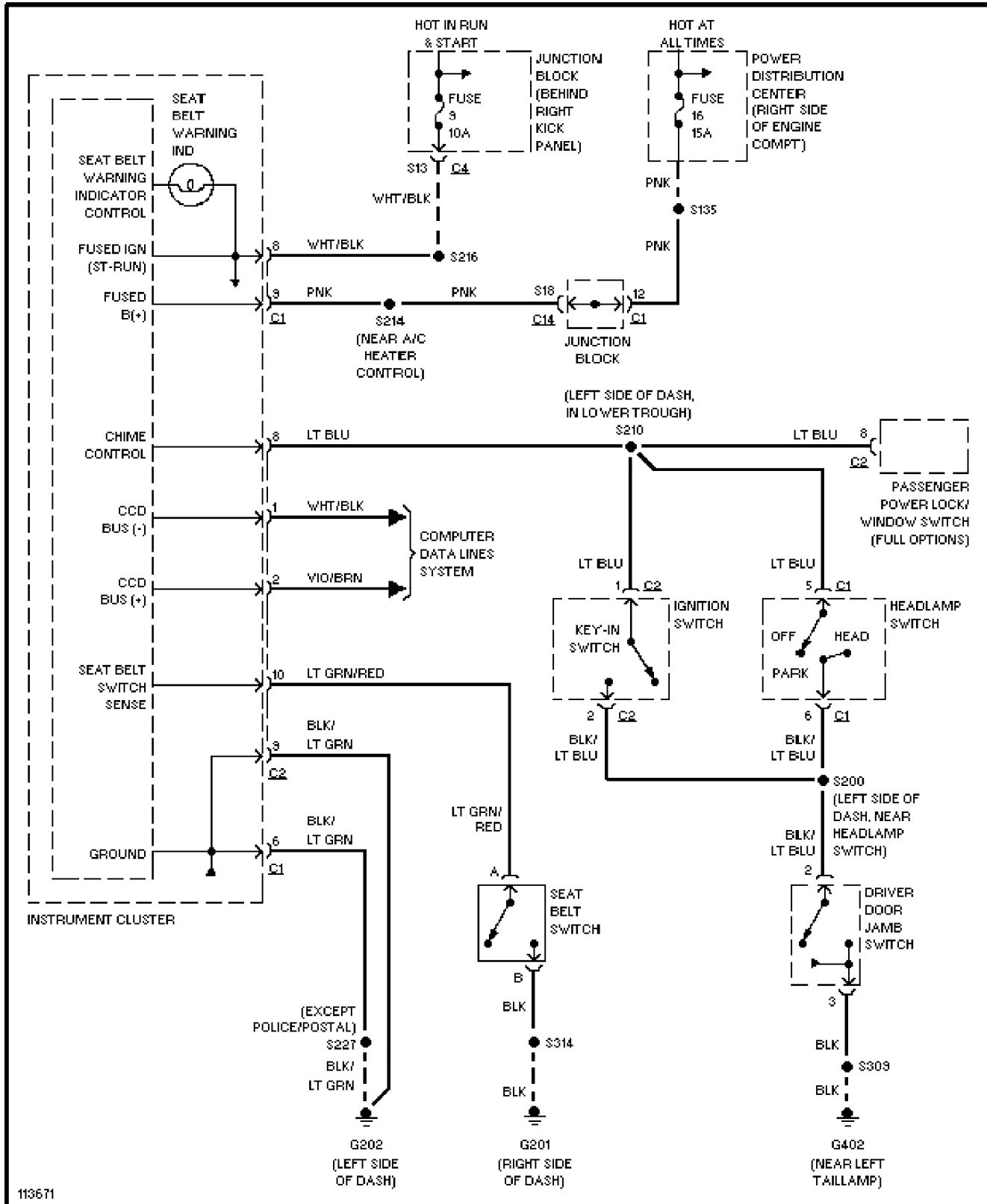
### 1999 Jeep Cherokee



# SYSTEM WIRING DIAGRAMS

## Warning System Circuits (p. 44)

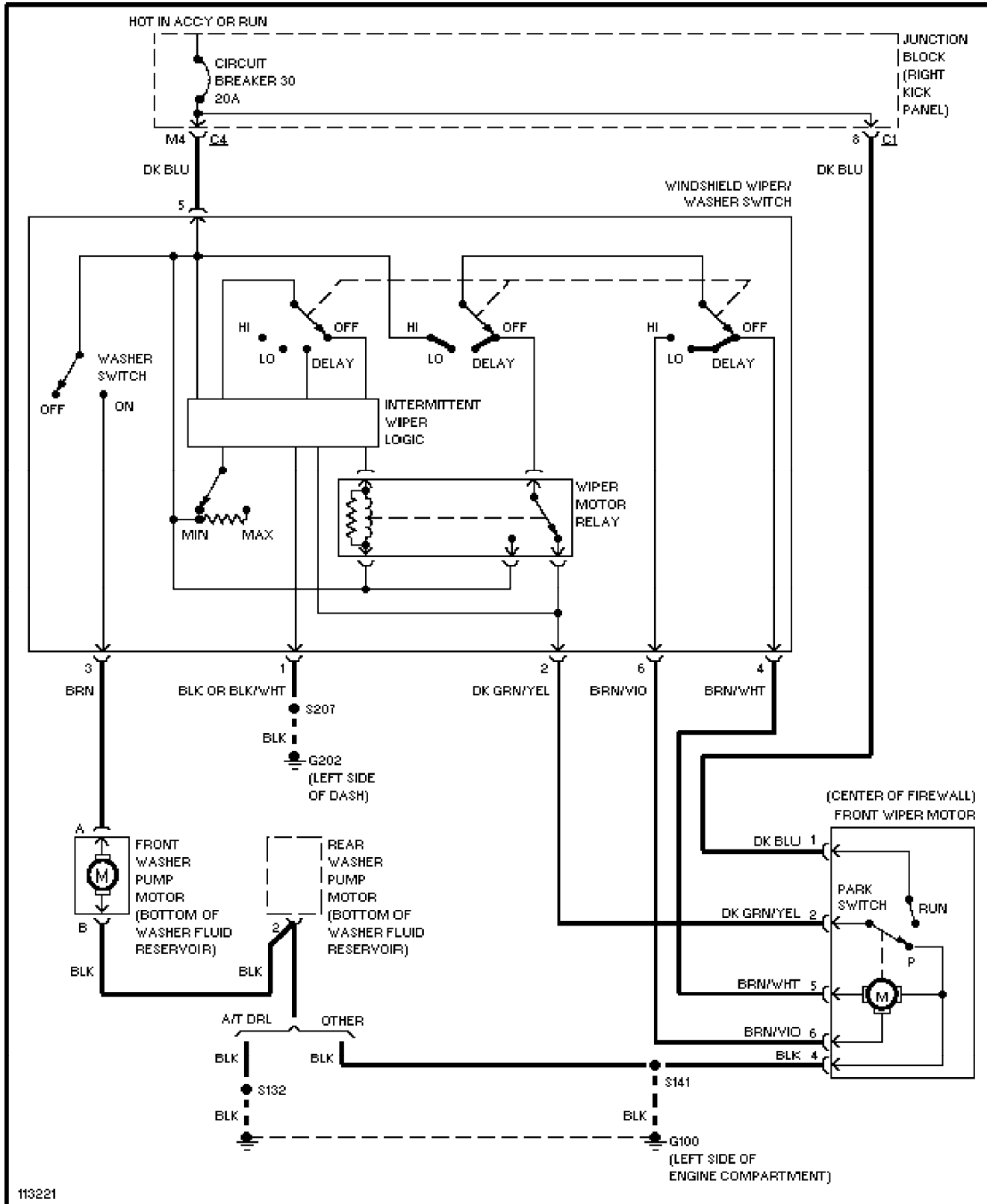
1999 Jeep Cherokee



# SYSTEM WIRING DIAGRAMS

## Front Wiper/Washer Circuit (p. 45)

1999 Jeep Cherokee



# SYSTEM WIRING DIAGRAMS

## Rear Wiper/Washer Circuit (p. 46)

1999 Jeep Cherokee

