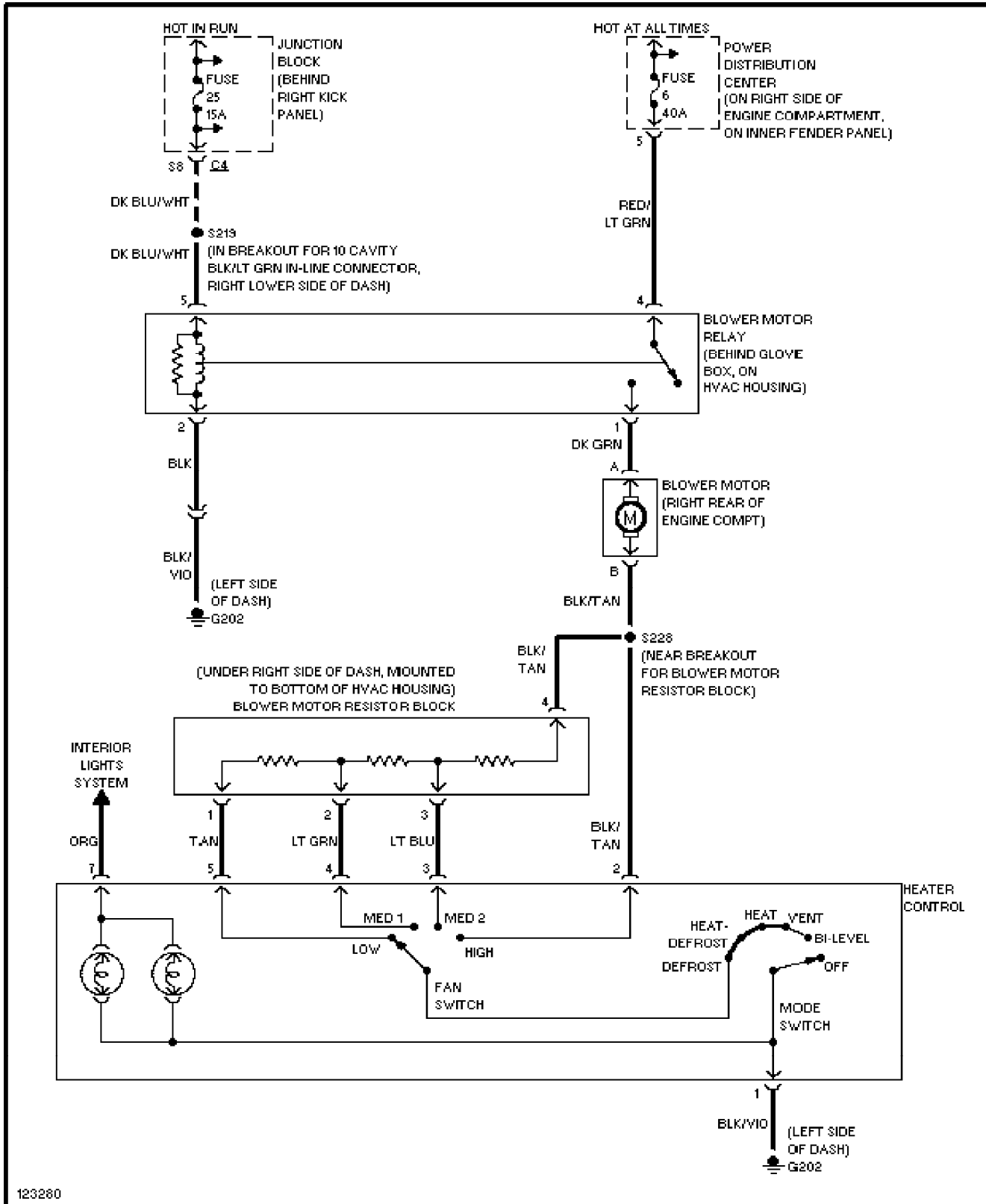


# SYSTEM WIRING DIAGRAMS

## Heater Circuit

2001 Jeep Cherokee

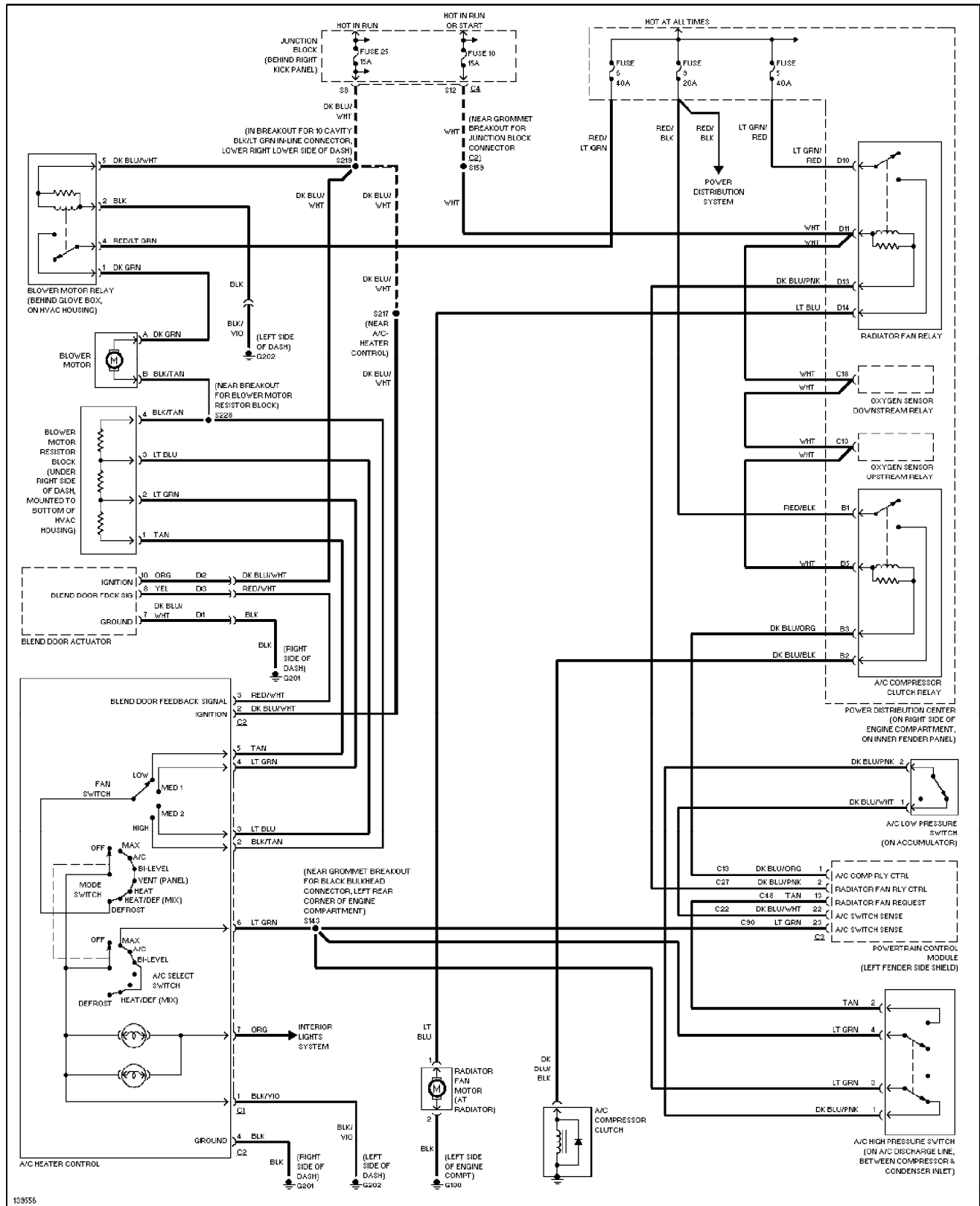
cdr@wp.pl



# SYSTEM WIRING DIAGRAMS

## Manual A/C Circuit (p. 2)

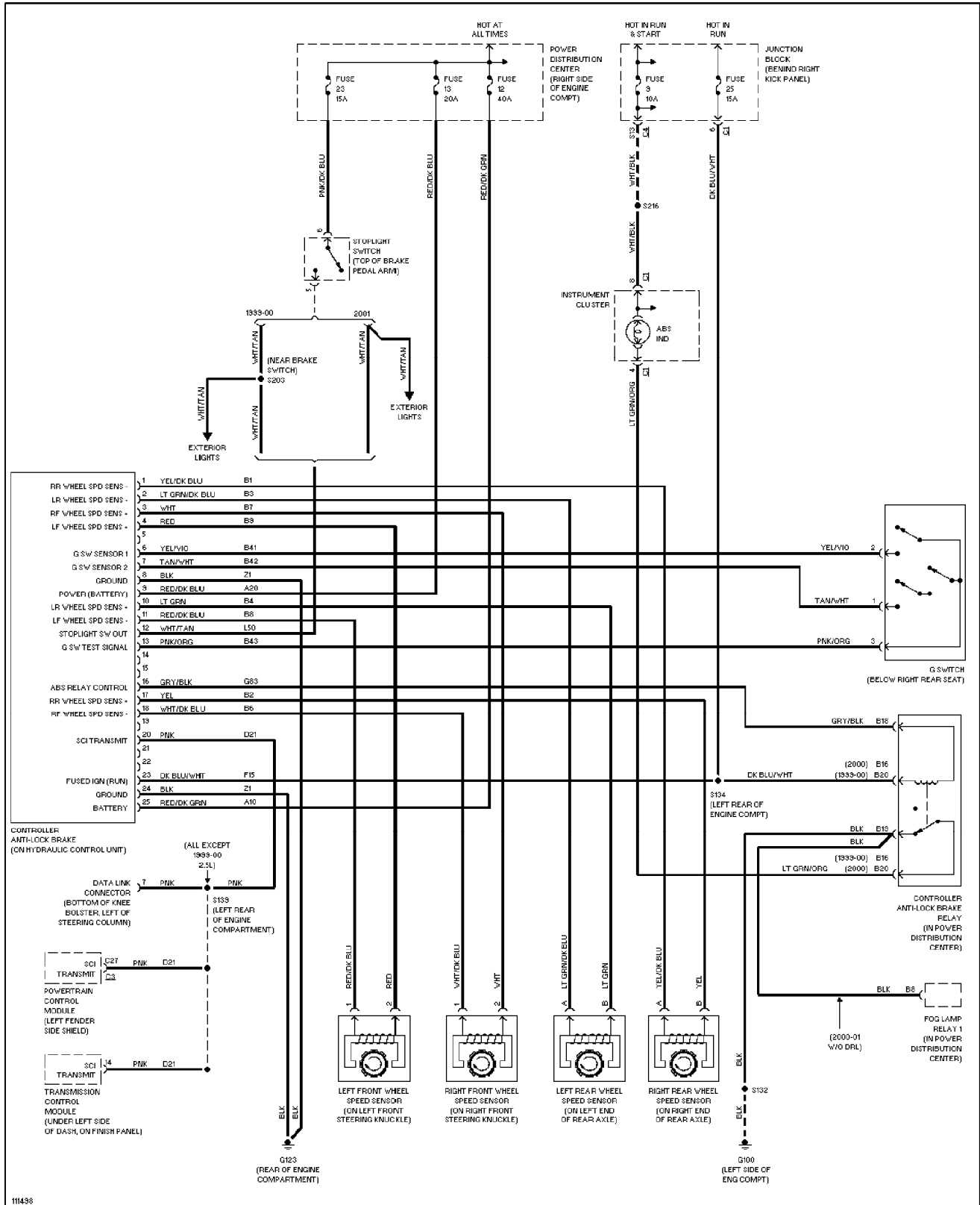
2001 Jeep Cherokee



# SYSTEM WIRING DIAGRAMS

## Anti-lock Brake Circuits (p. 3)

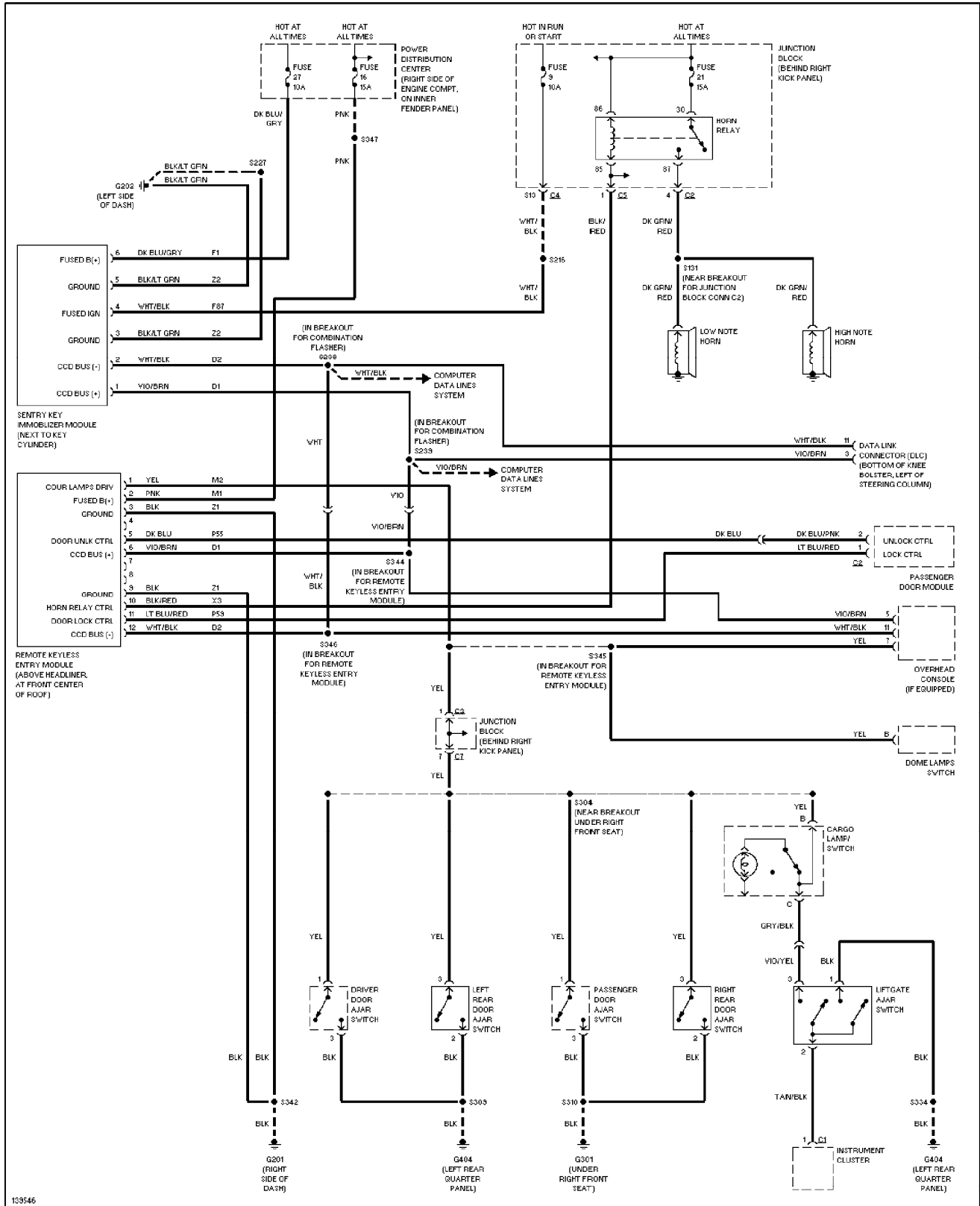
2001 Jeep Cherokee



# SYSTEM WIRING DIAGRAMS

## Anti-theft Circuit (p. 4)

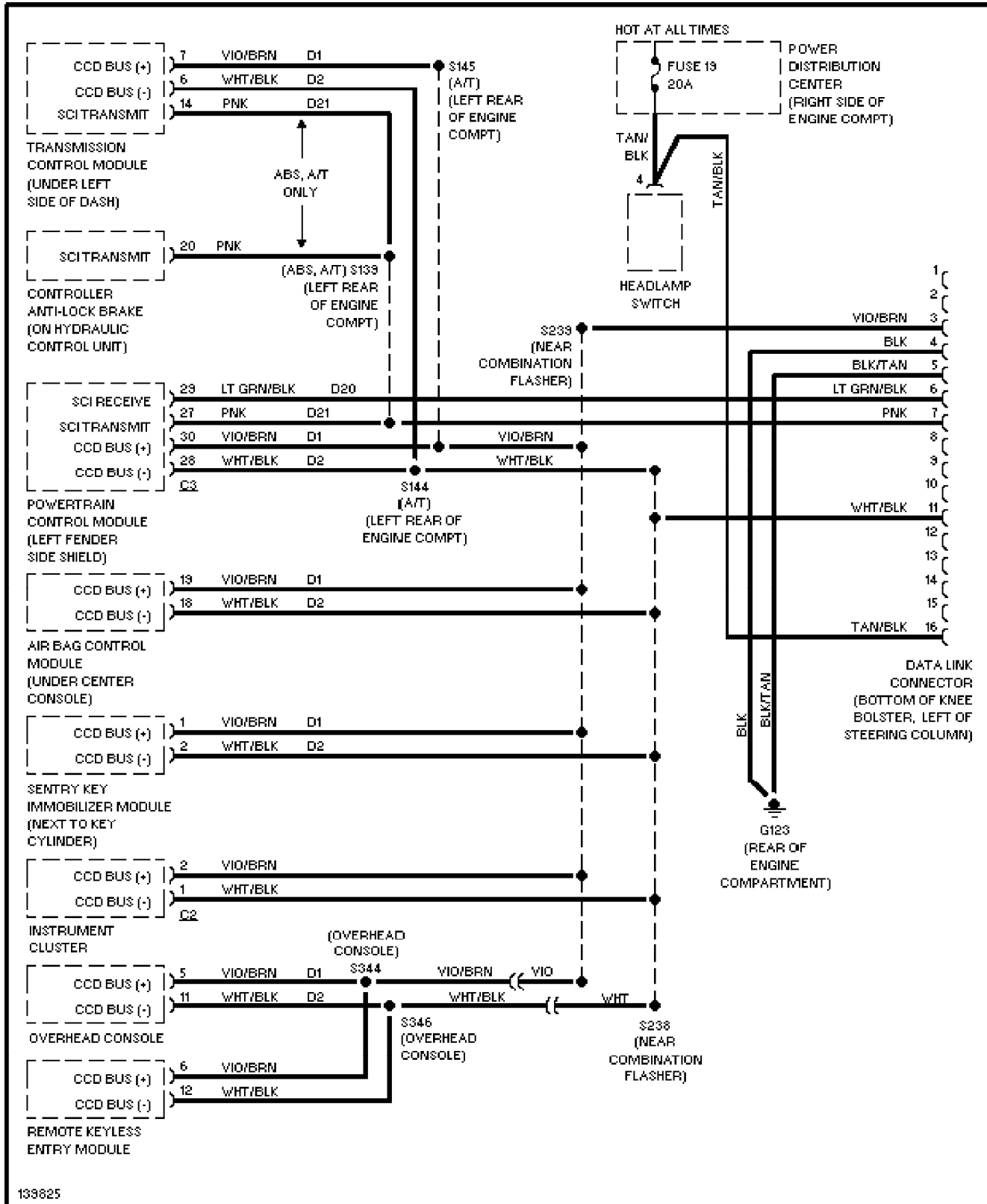
2001 Jeep Cherokee



# SYSTEM WIRING DIAGRAMS

## Computer Data Lines (p. 5)

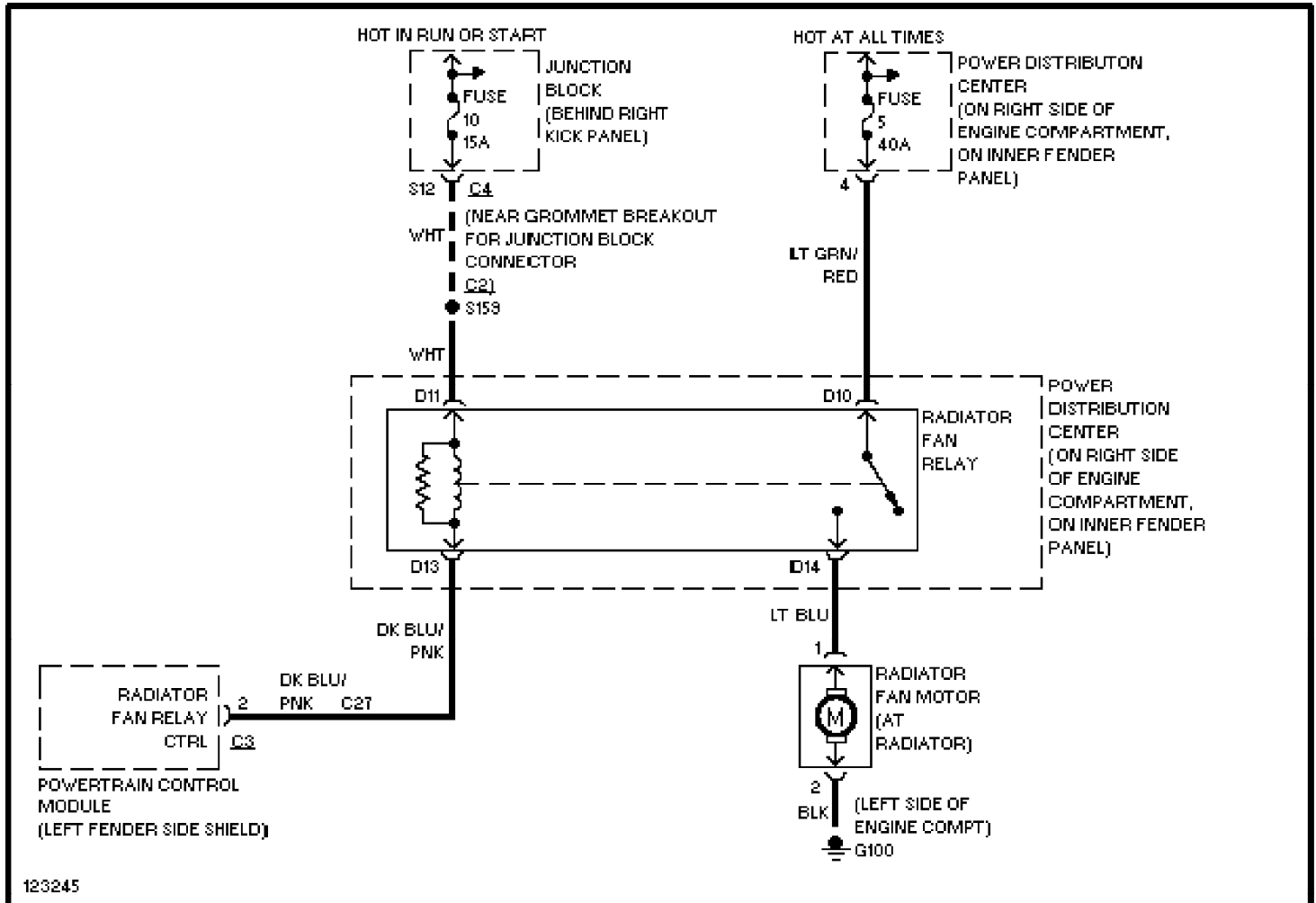
2001 Jeep Cherokee



# SYSTEM WIRING DIAGRAMS

## Cooling Fan Circuit (p. 6)

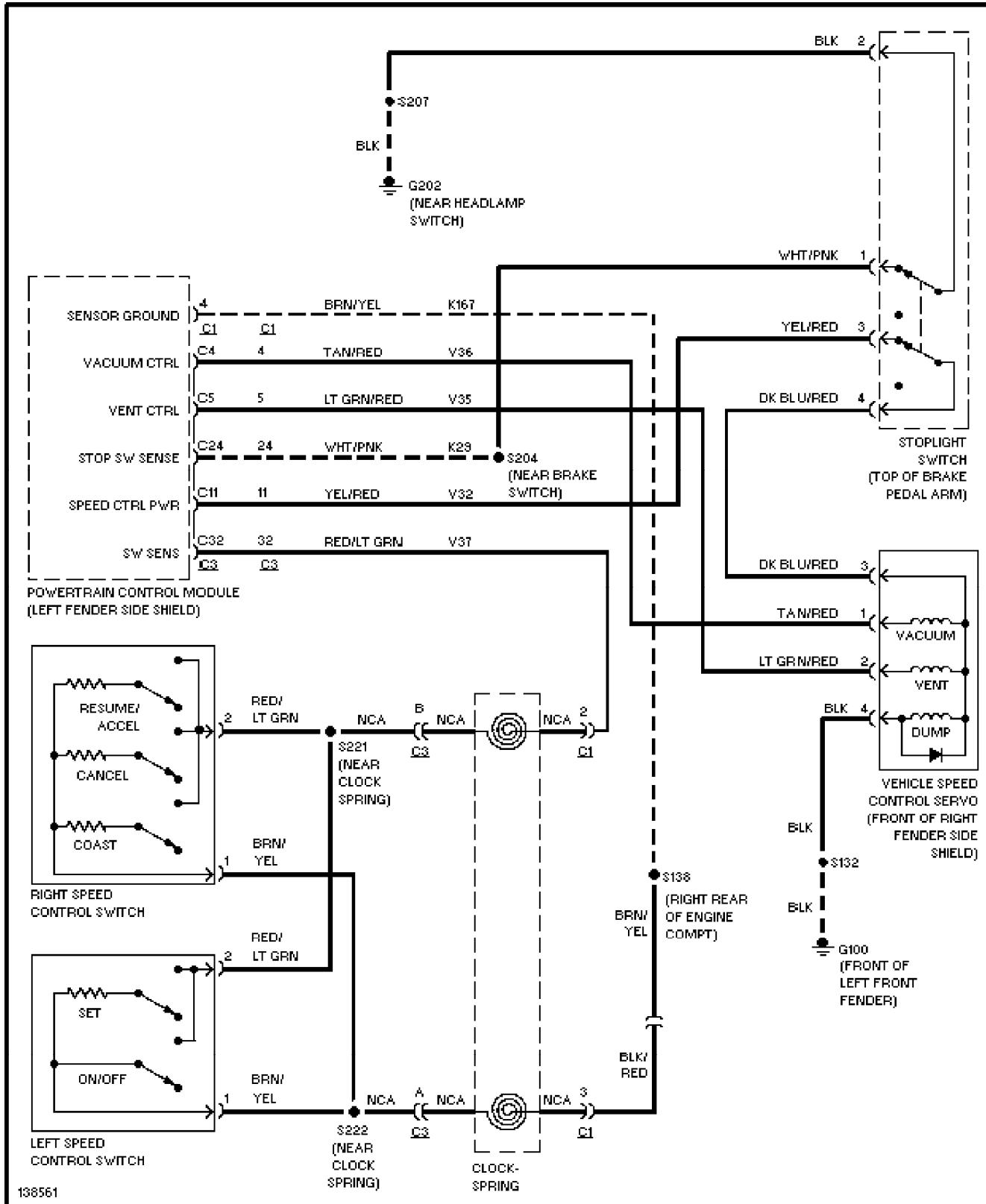
2001 Jeep Cherokee



# SYSTEM WIRING DIAGRAMS

## Cruise Control Circuit (p. 7)

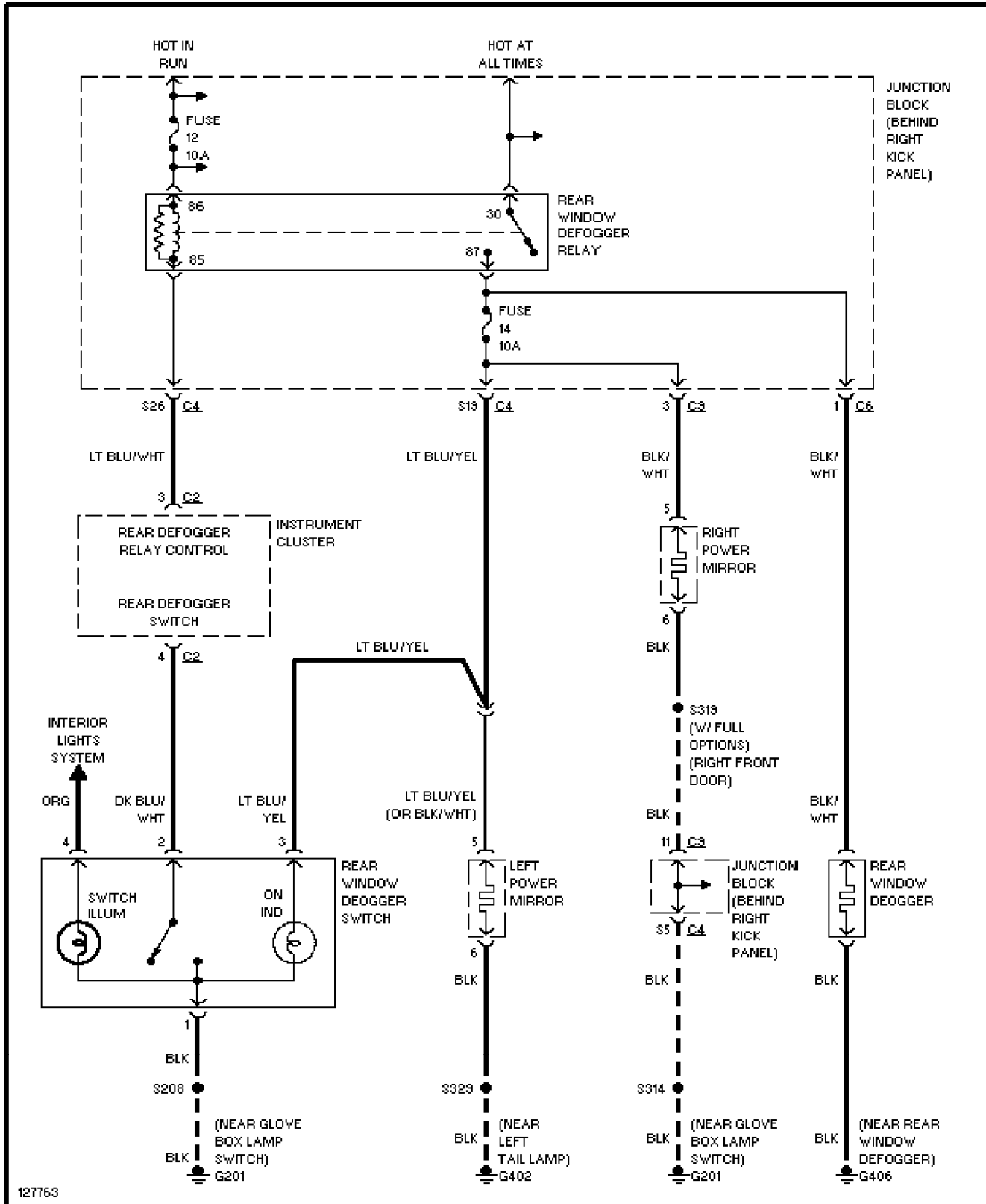
2001 Jeep Cherokee



# SYSTEM WIRING DIAGRAMS

## Defogger Circuit (p. 8)

2001 Jeep Cherokee

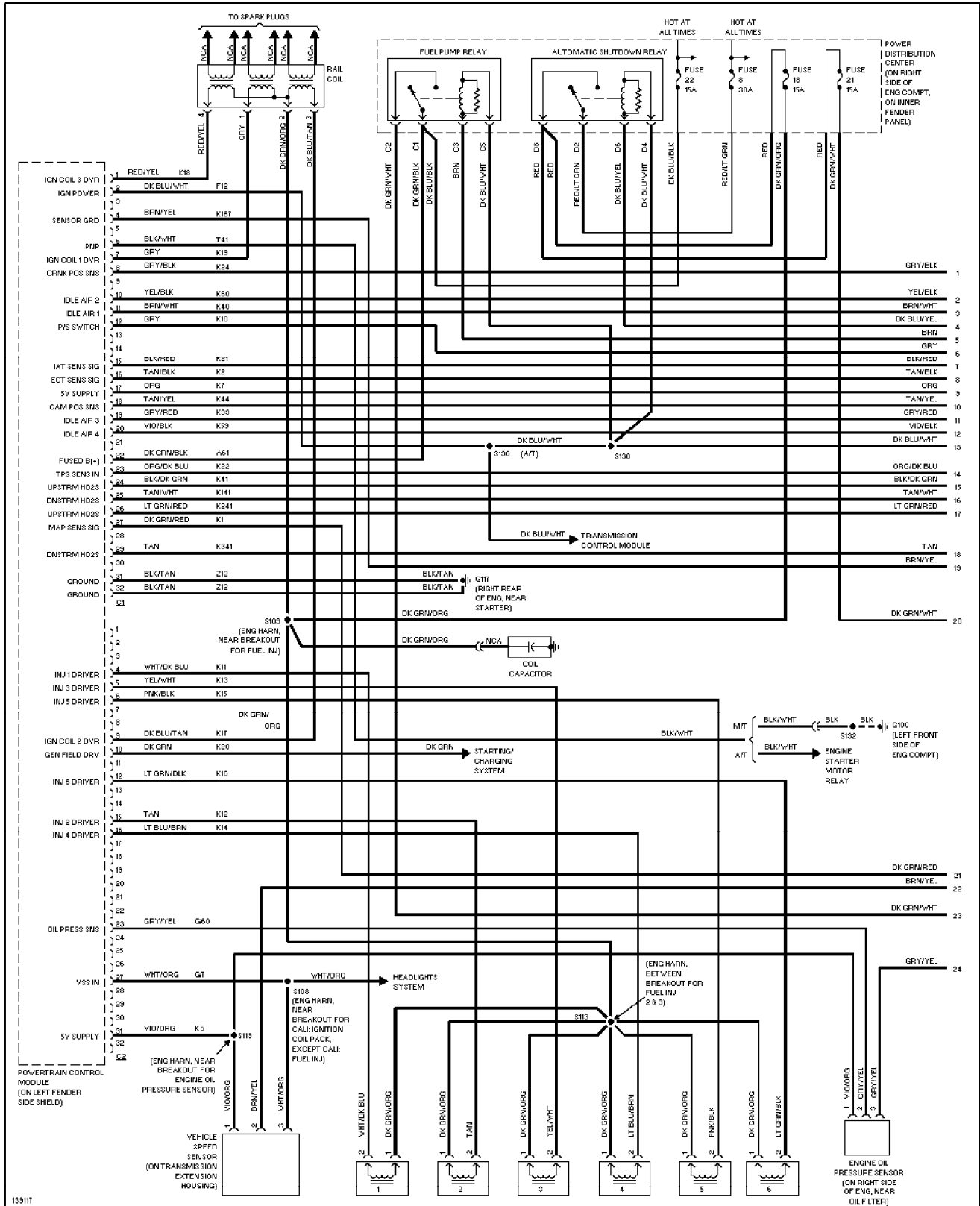




# SYSTEM WIRING DIAGRAMS

## 4.0L, Engine Performance Circuits (1 of 3) (p. 9)

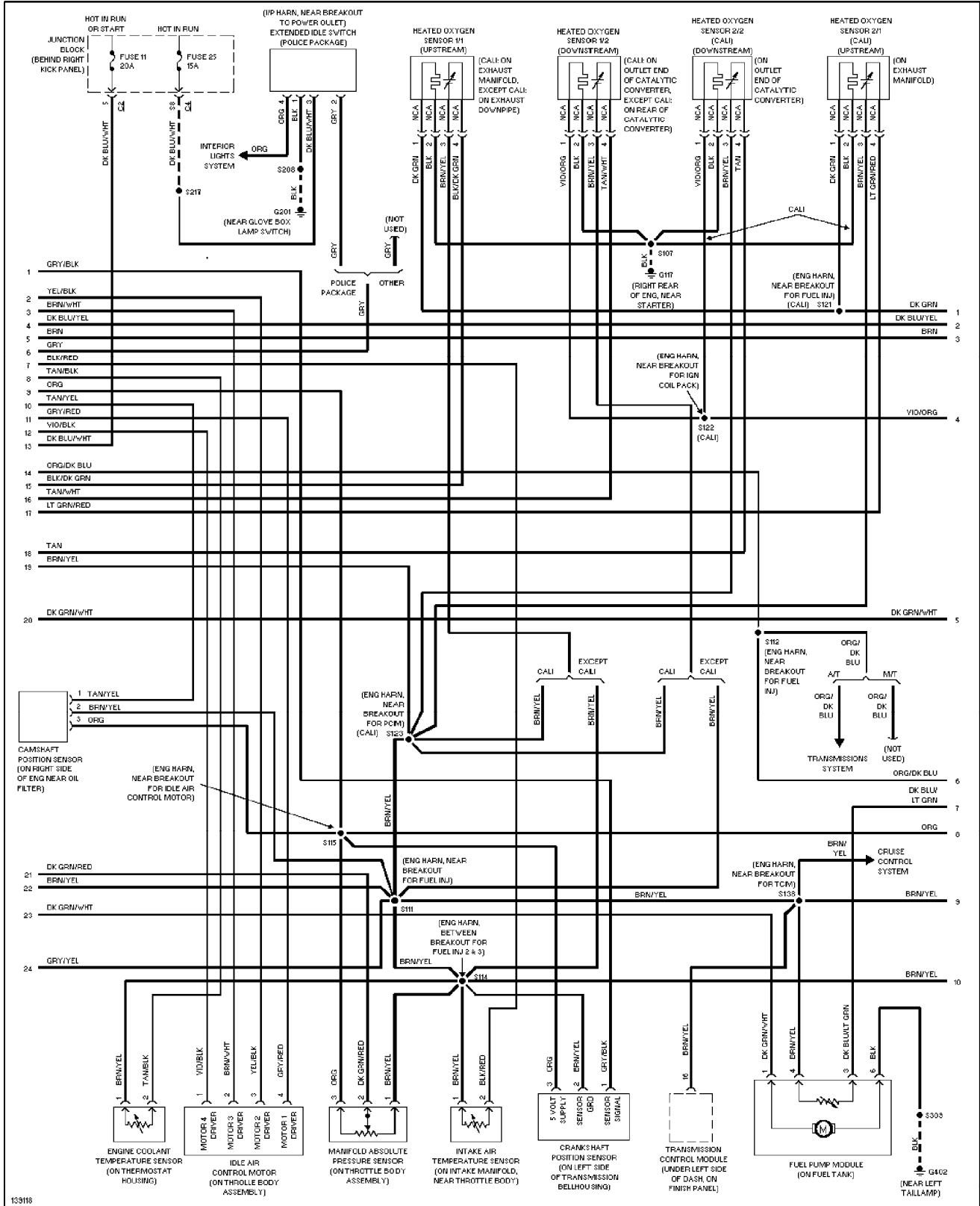
### 2001 Jeep Cherokee



# SYSTEM WIRING DIAGRAMS

## 4.0L, Engine Performance Circuits (2 of 3) (p. 10)

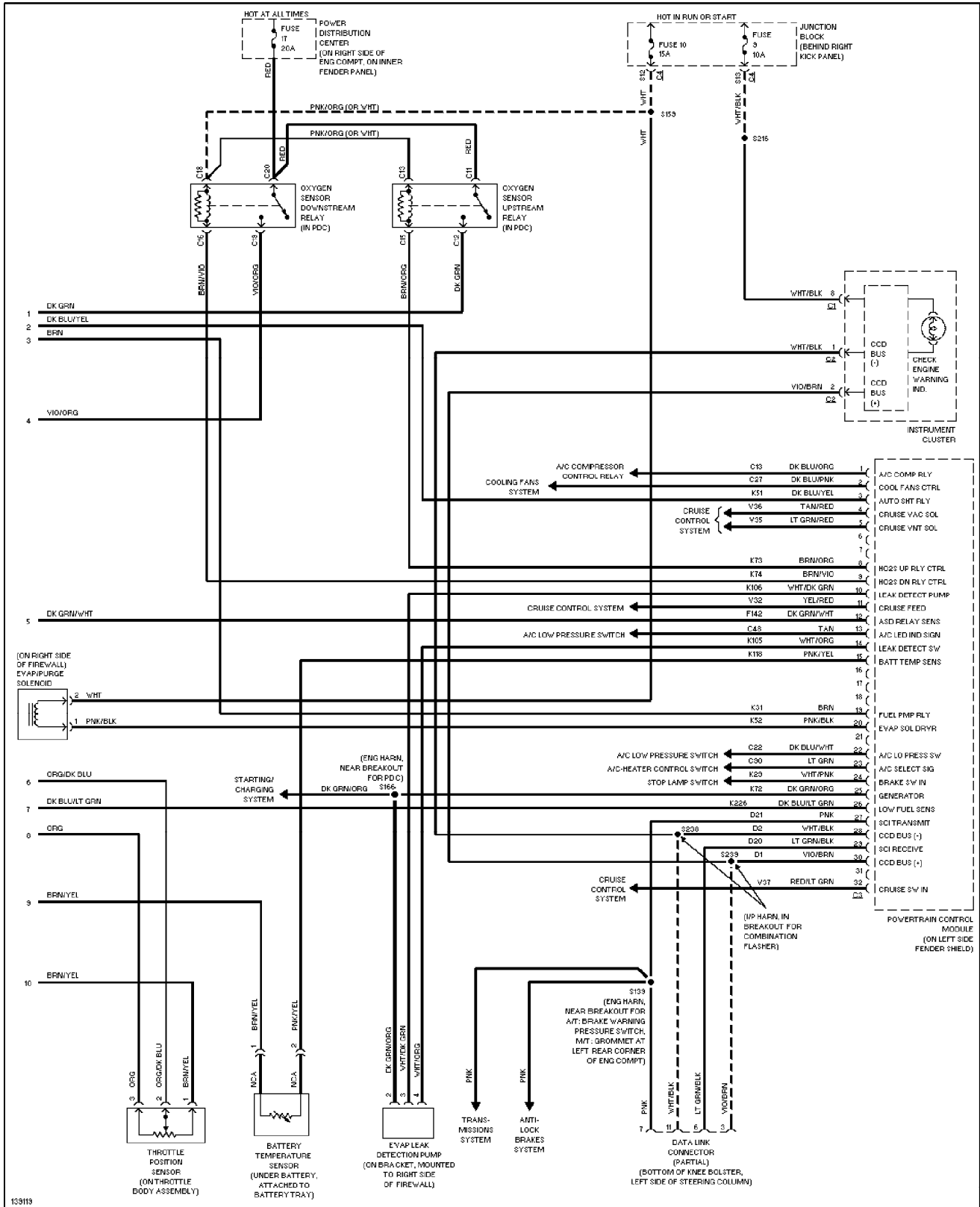
### 2001 Jeep Cherokee



# SYSTEM WIRING DIAGRAMS

## 4.0L, Engine Performance Circuits (3 of 3) (p. 11)

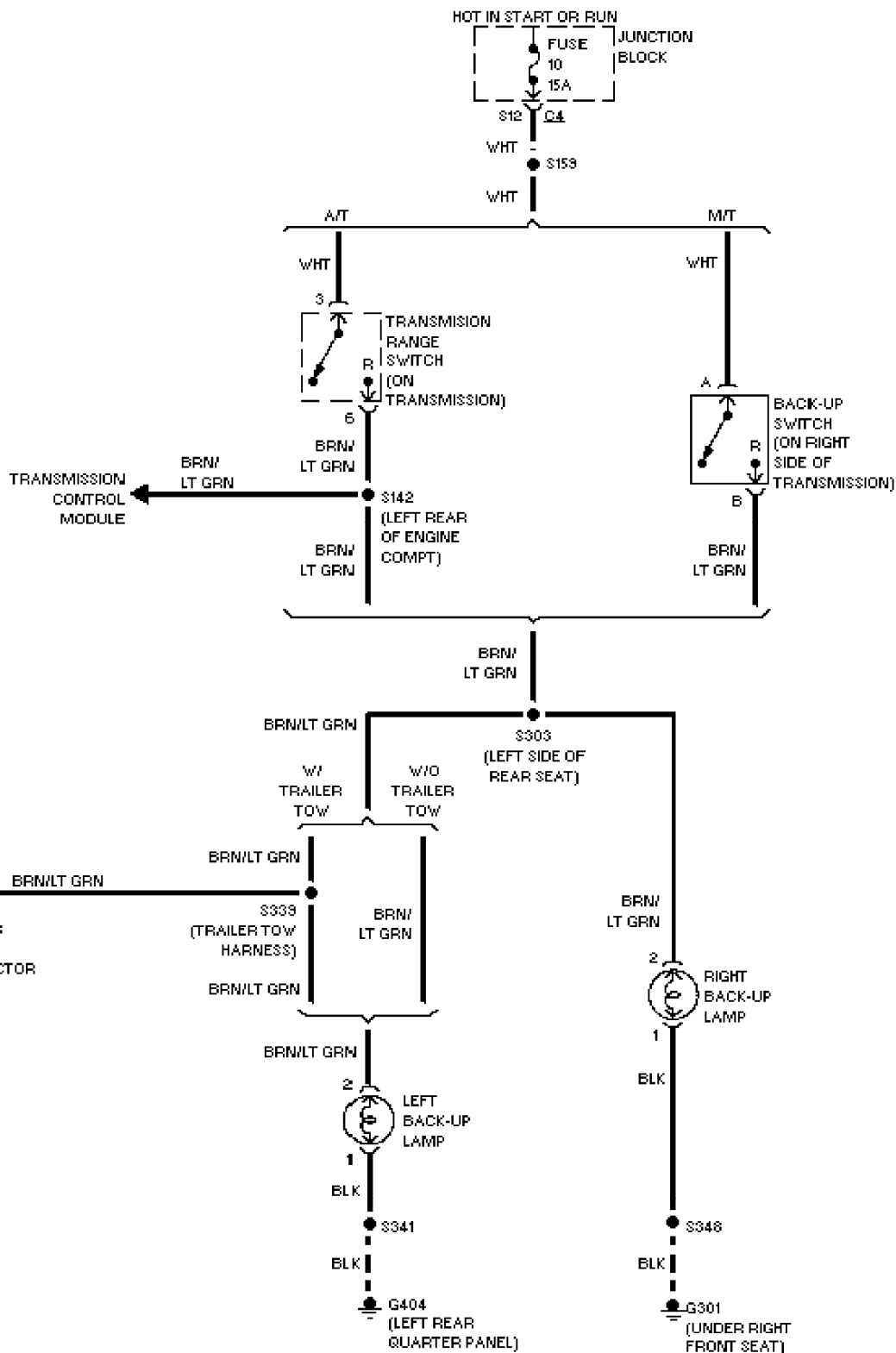
### 2001 Jeep Cherokee



# SYSTEM WIRING DIAGRAMS

## Back-up Lamps Circuit (p. 12)

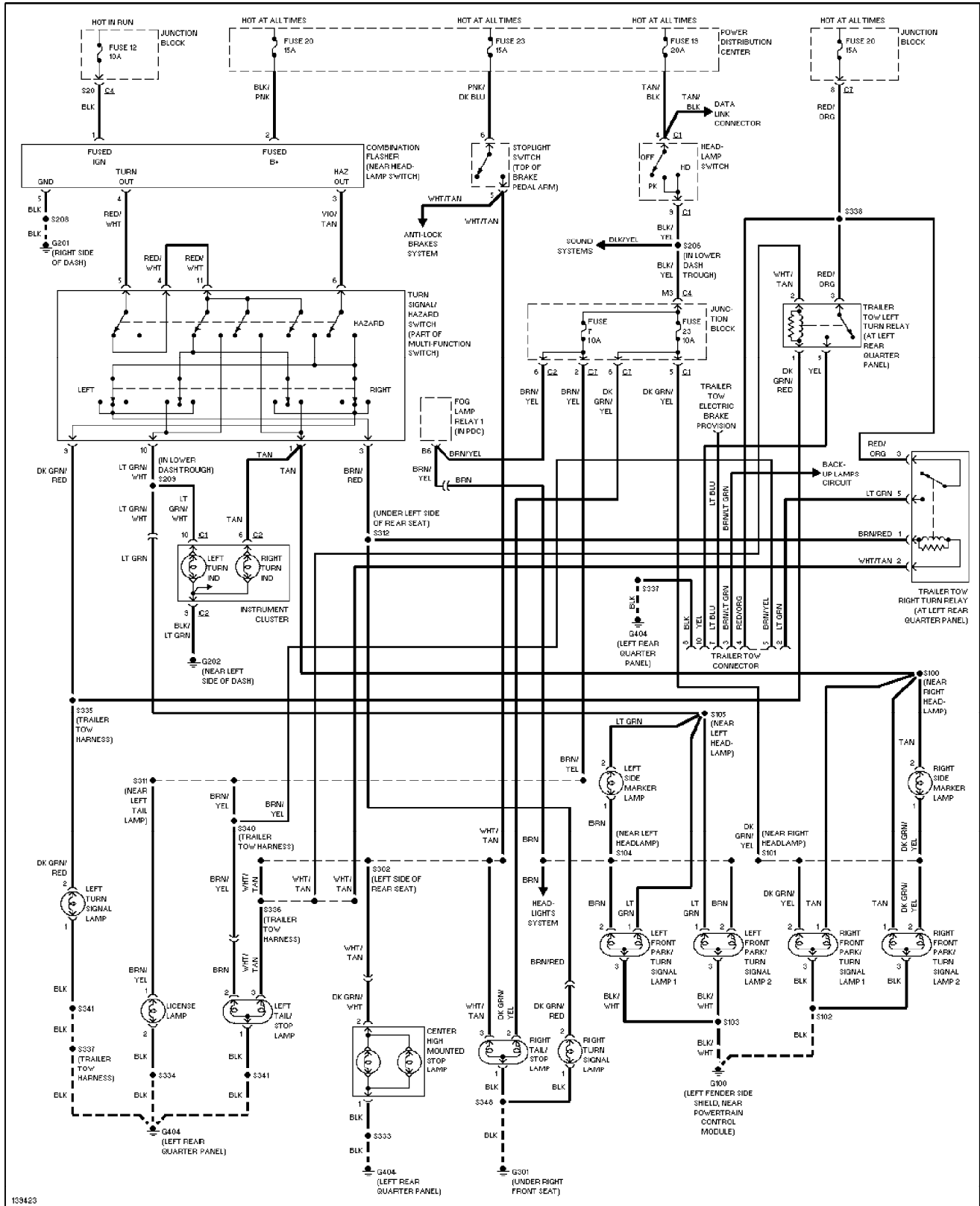
2001 Jeep Cherokee



# SYSTEM WIRING DIAGRAMS

## Exterior Lamps Circuit (p. 13)

2001 Jeep Cherokee

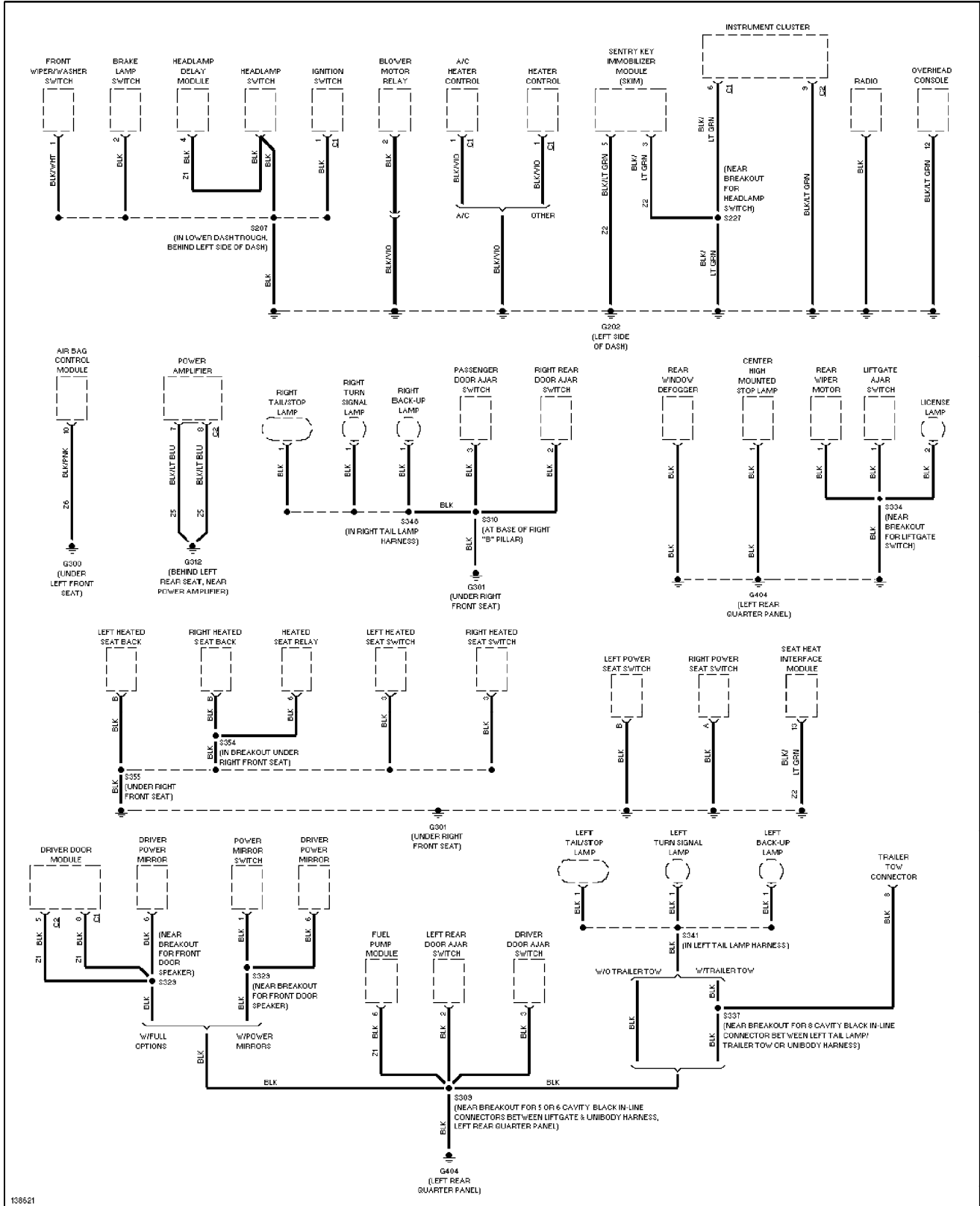




# SYSTEM WIRING DIAGRAMS

## Ground Distribution Circuit (2 of 2) (p. 15)

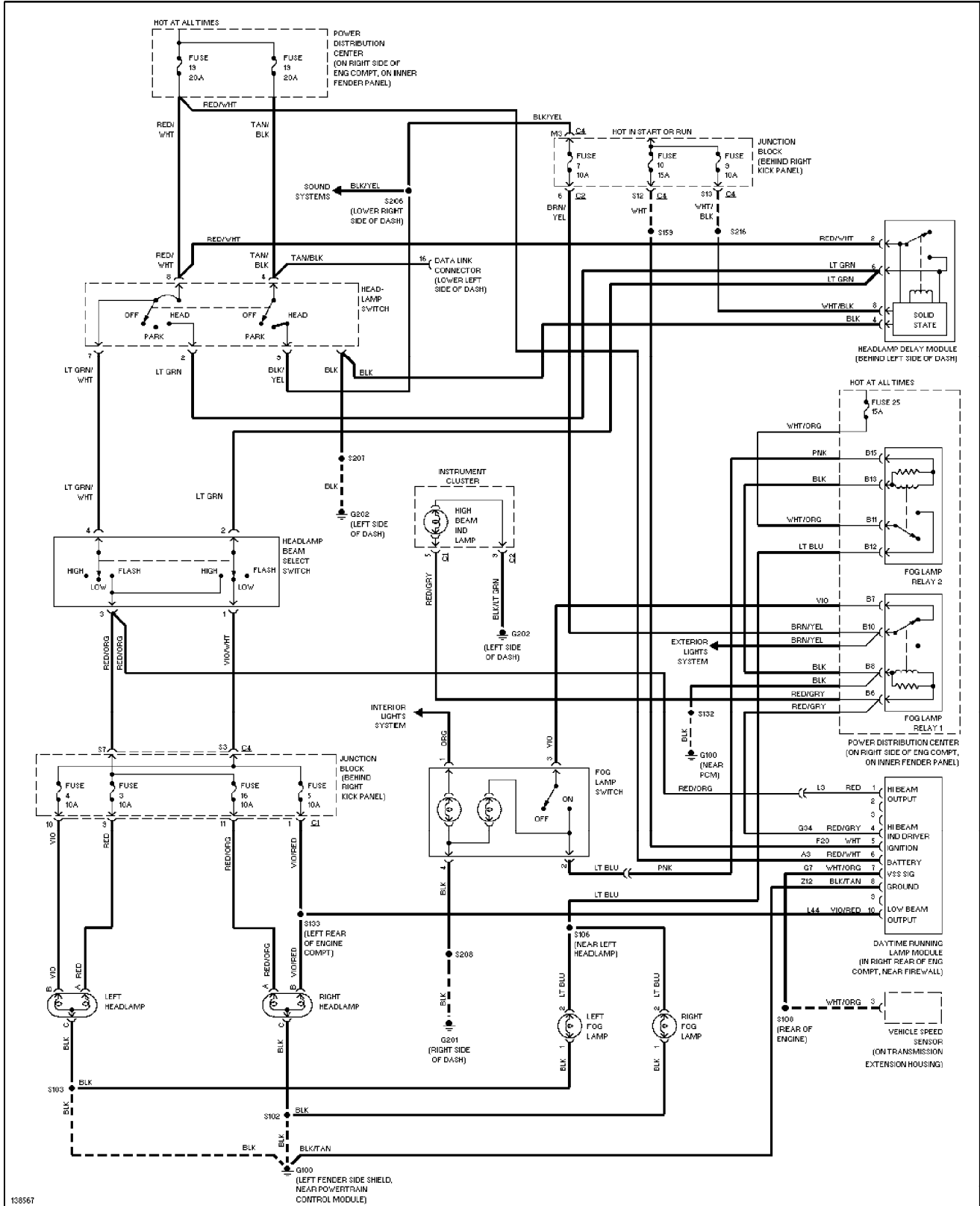
### 2001 Jeep Cherokee



# SYSTEM WIRING DIAGRAMS

## Headlight Circuit, W/ DRL (p. 16)

### 2001 Jeep Cherokee



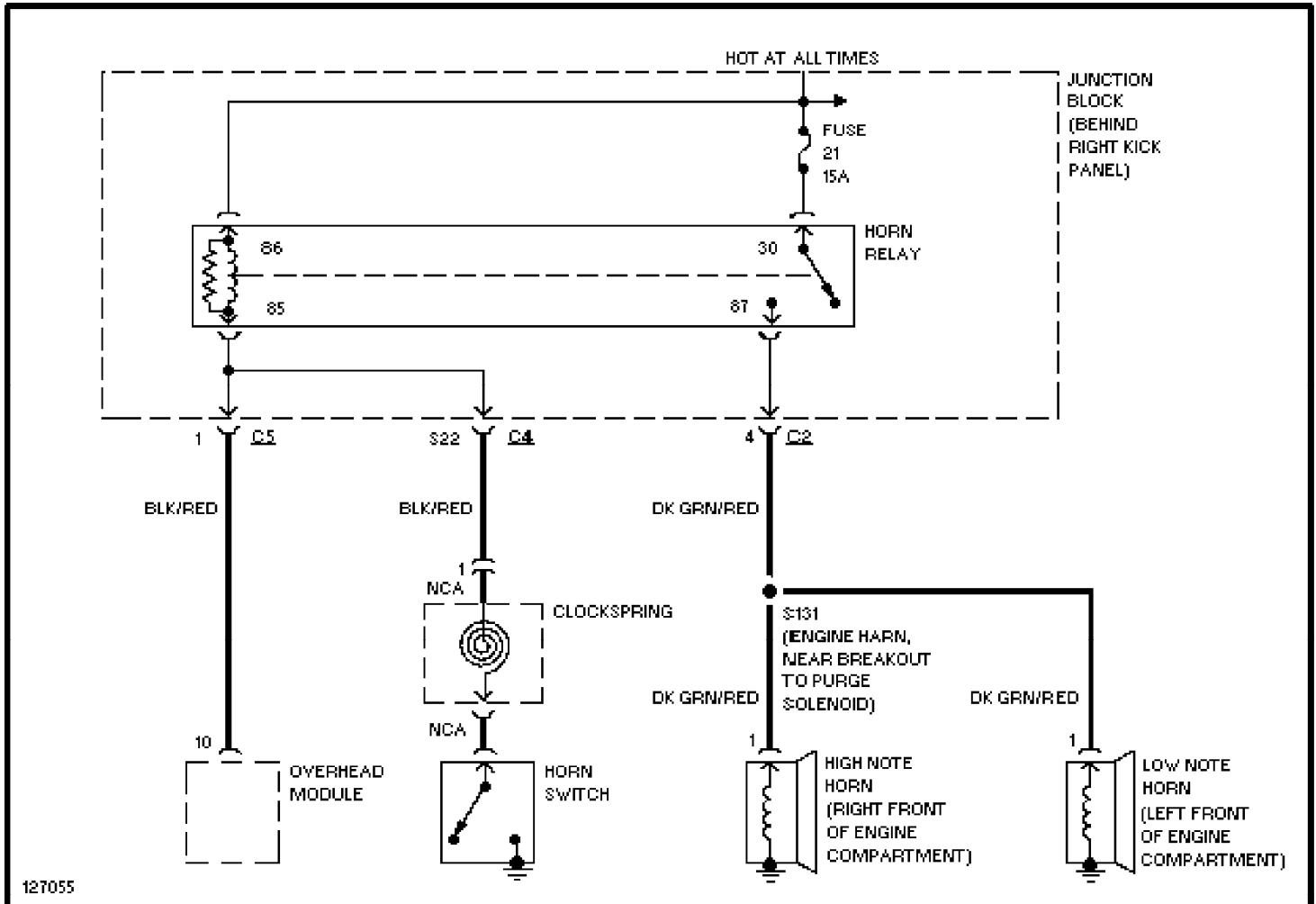




# SYSTEM WIRING DIAGRAMS

## Horn Circuit (p. 18)

2001 Jeep Cherokee

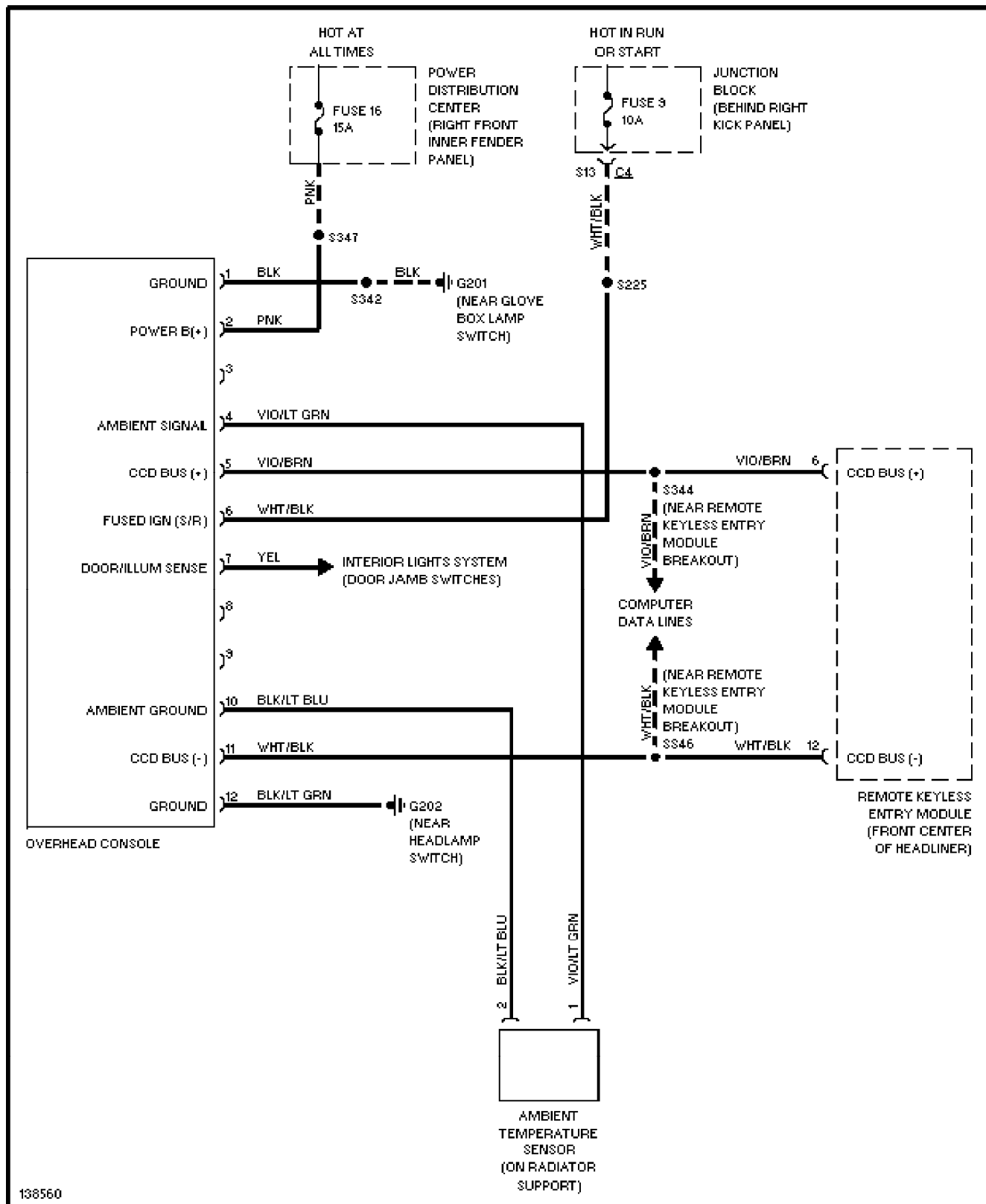




# SYSTEM WIRING DIAGRAMS

## Overhead Console Circuit (p. 20)

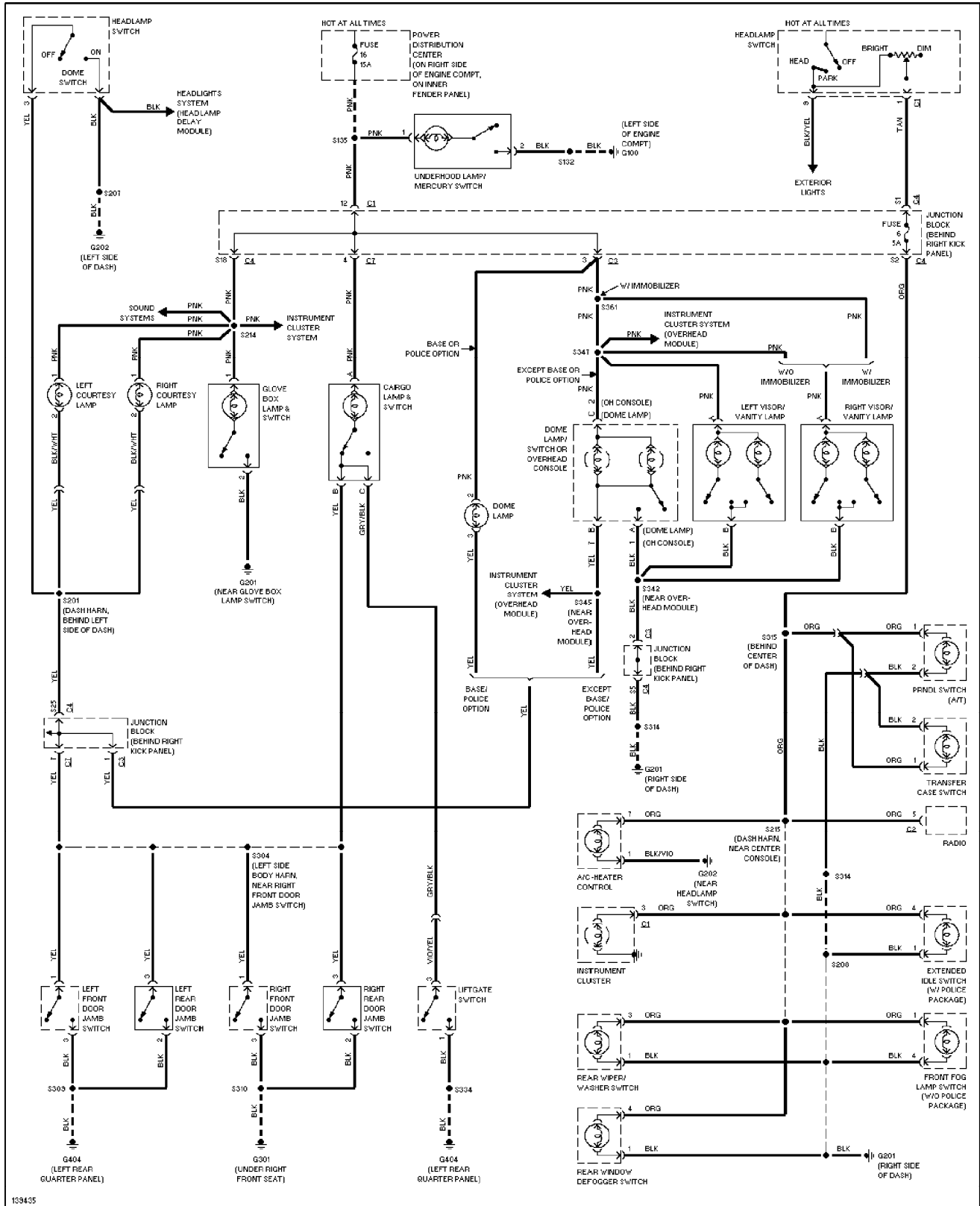
2001 Jeep Cherokee



# SYSTEM WIRING DIAGRAMS

## Interior Light Circuit (p. 21)

### 2001 Jeep Cherokee

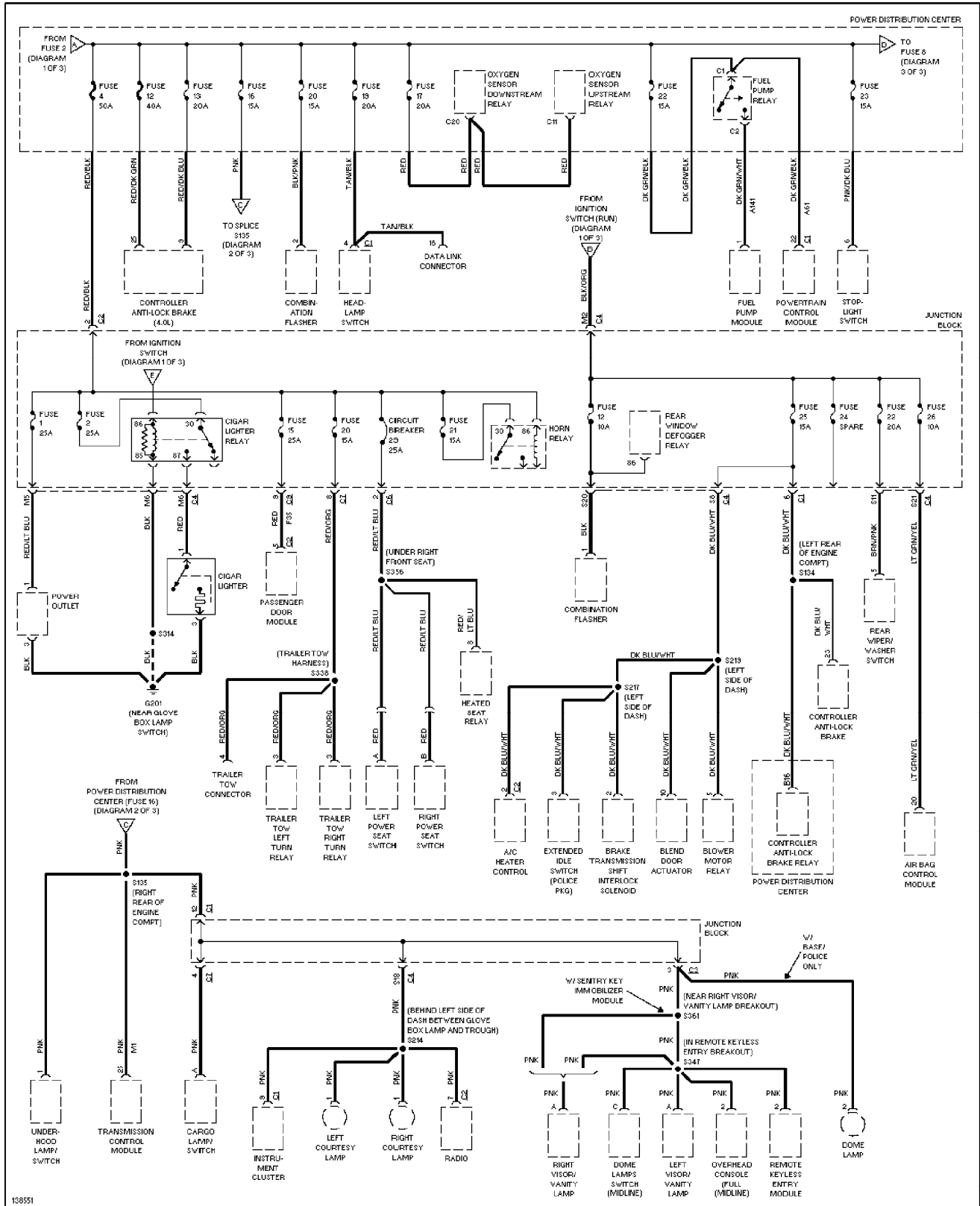




# SYSTEM WIRING DIAGRAMS

## Power Distribution Circuit (2 of 3) (p. 23)

### 2001 Jeep Cherokee



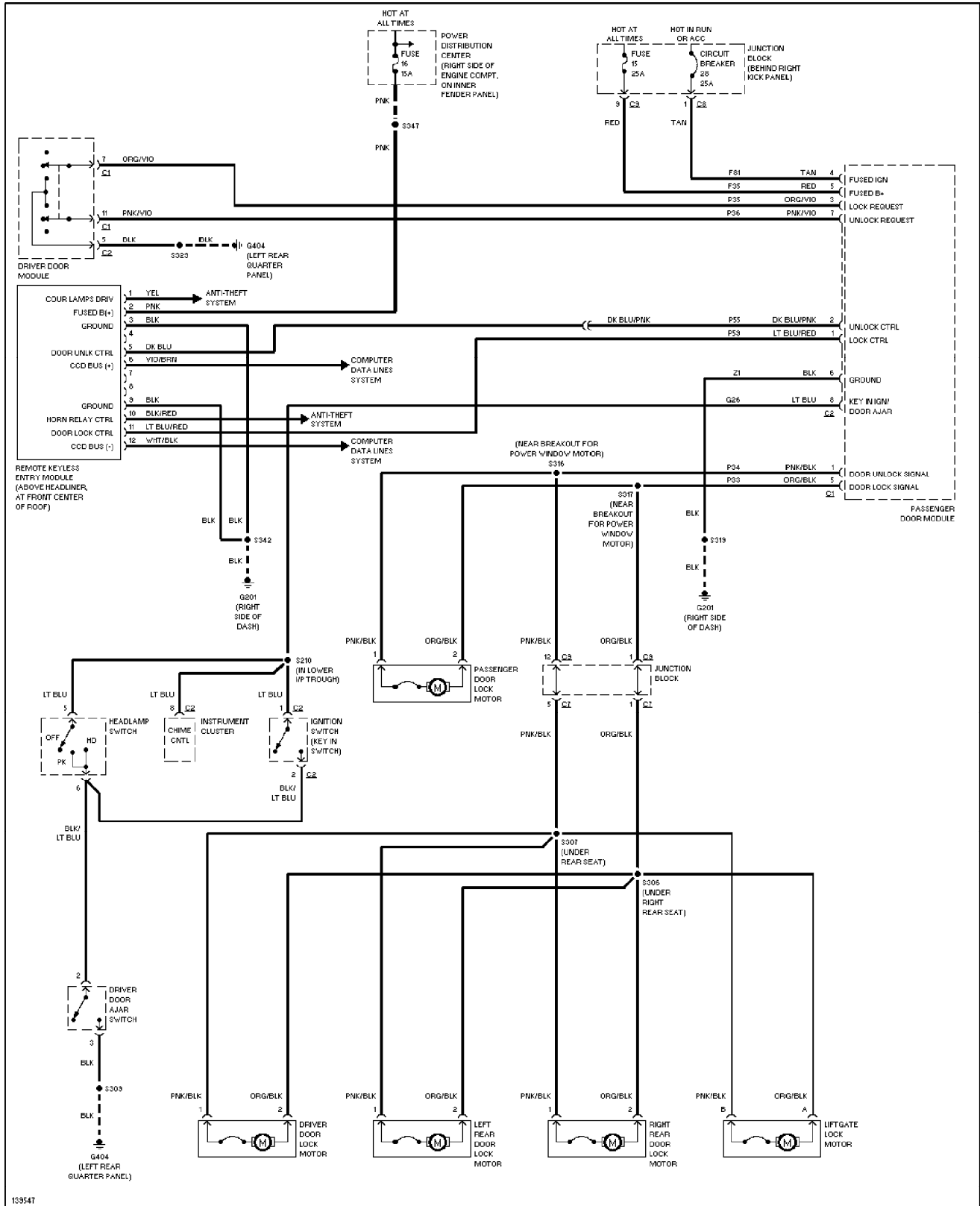




# SYSTEM WIRING DIAGRAMS

## Power Door Lock Circuit (p. 25)

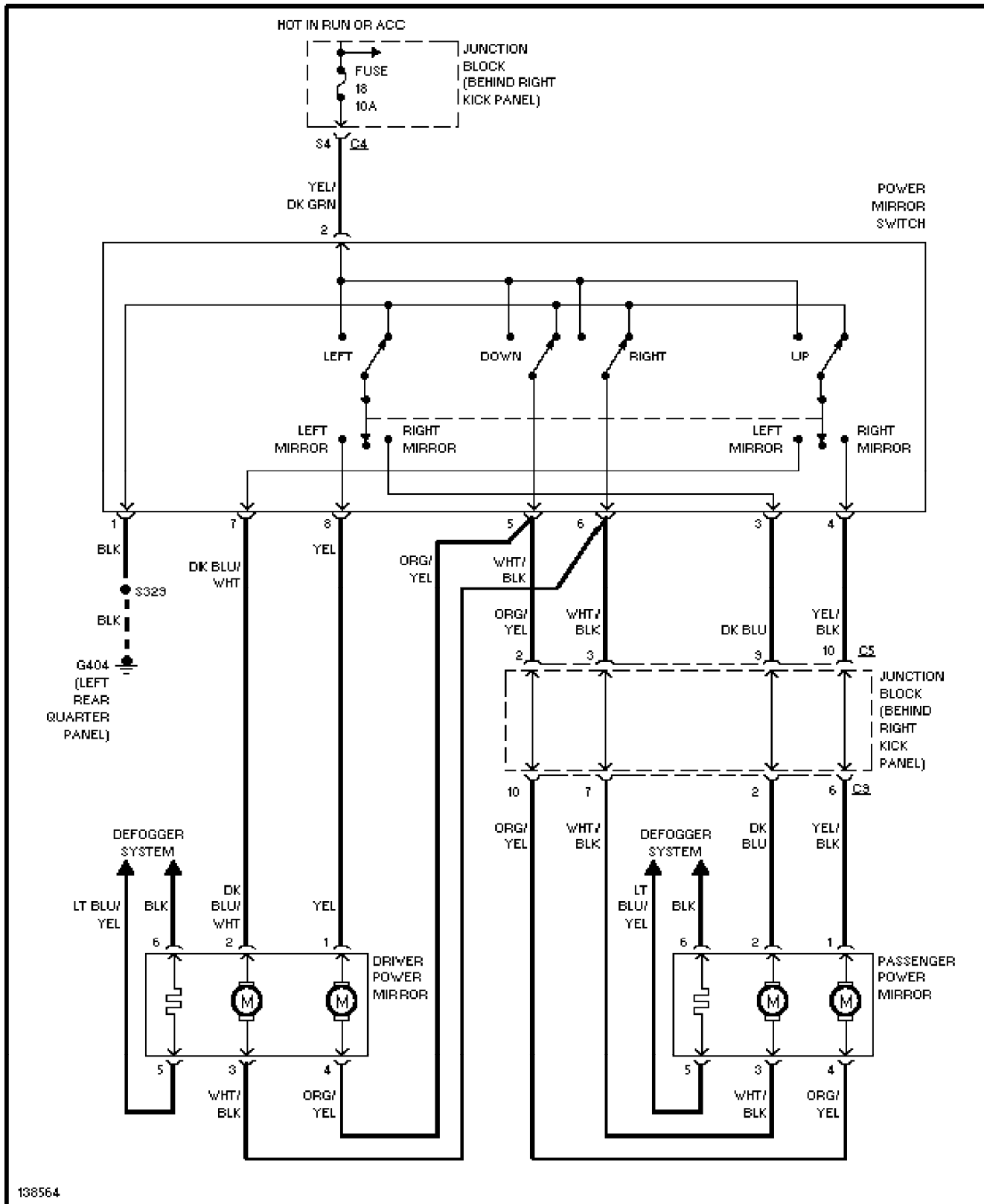
2001 Jeep Cherokee



# SYSTEM WIRING DIAGRAMS

## Power Mirror Circuit, Except Full Options (p. 26)

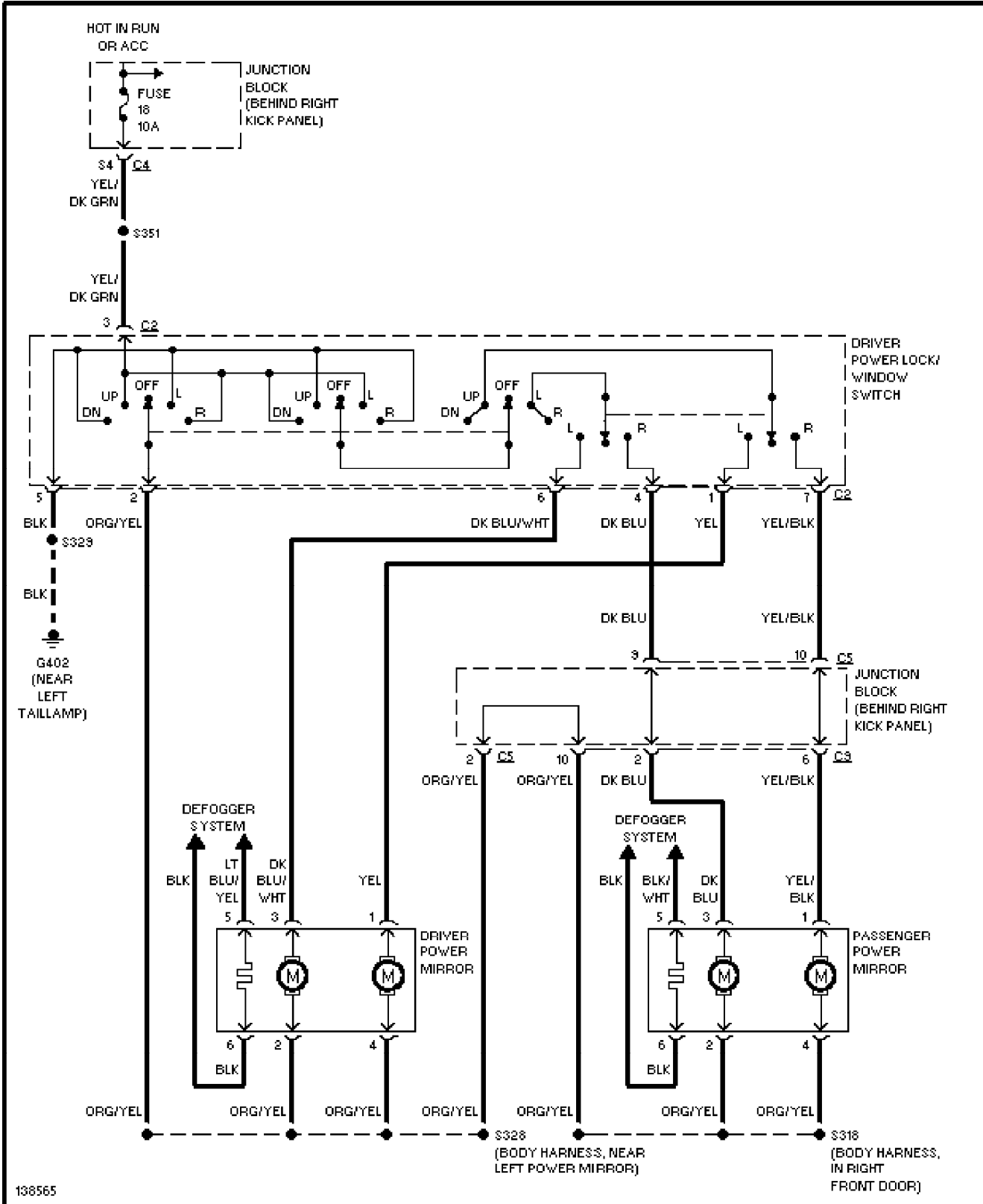
2001 Jeep Cherokee



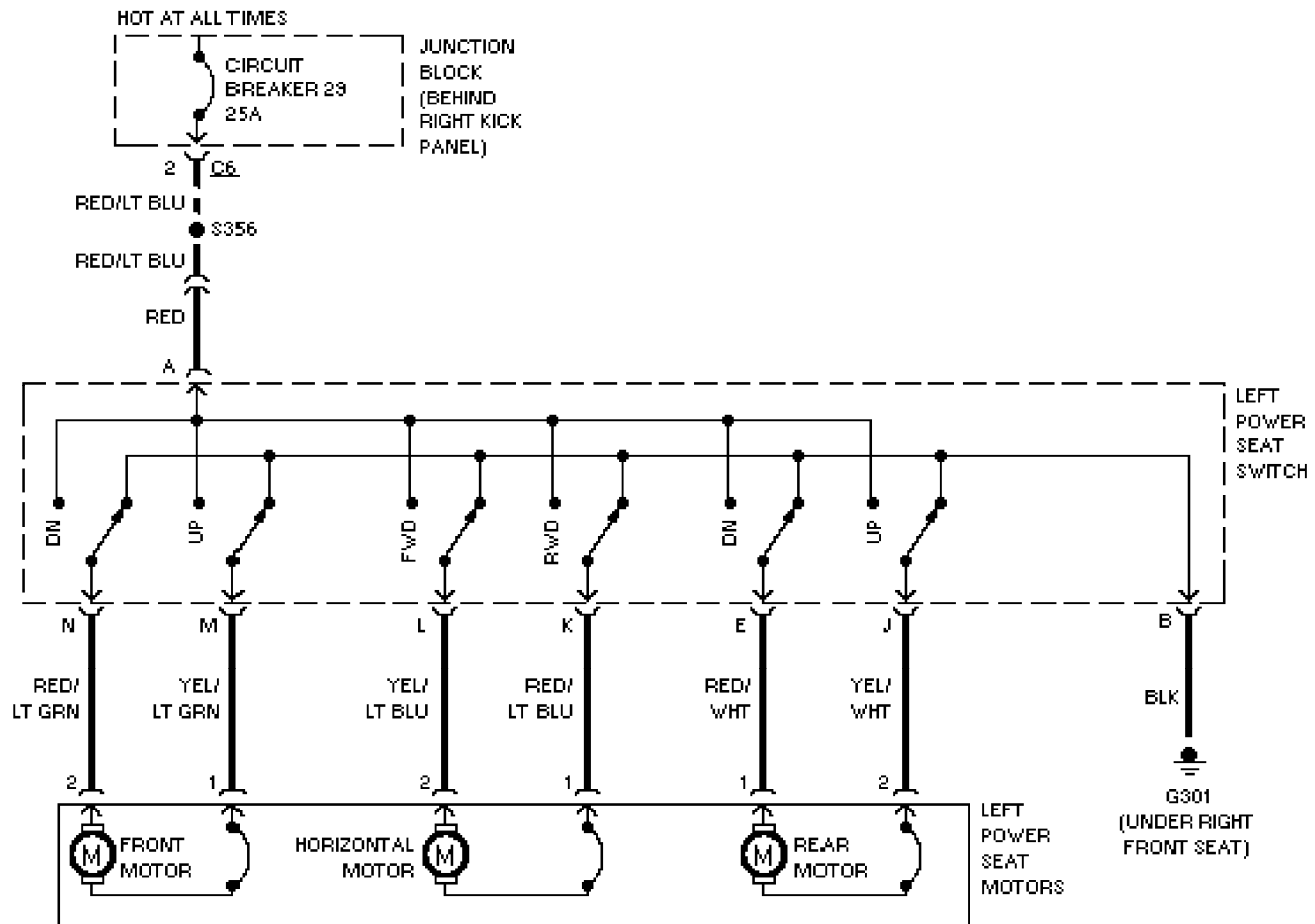
# SYSTEM WIRING DIAGRAMS

## Power Mirror Circuit, W/ Full Options (p. 27)

2001 Jeep Cherokee



**SYSTEM WIRING DIAGRAMS**  
**Driver Power Seat Circuit (p. 28)**  
 2001 Jeep Cherokee

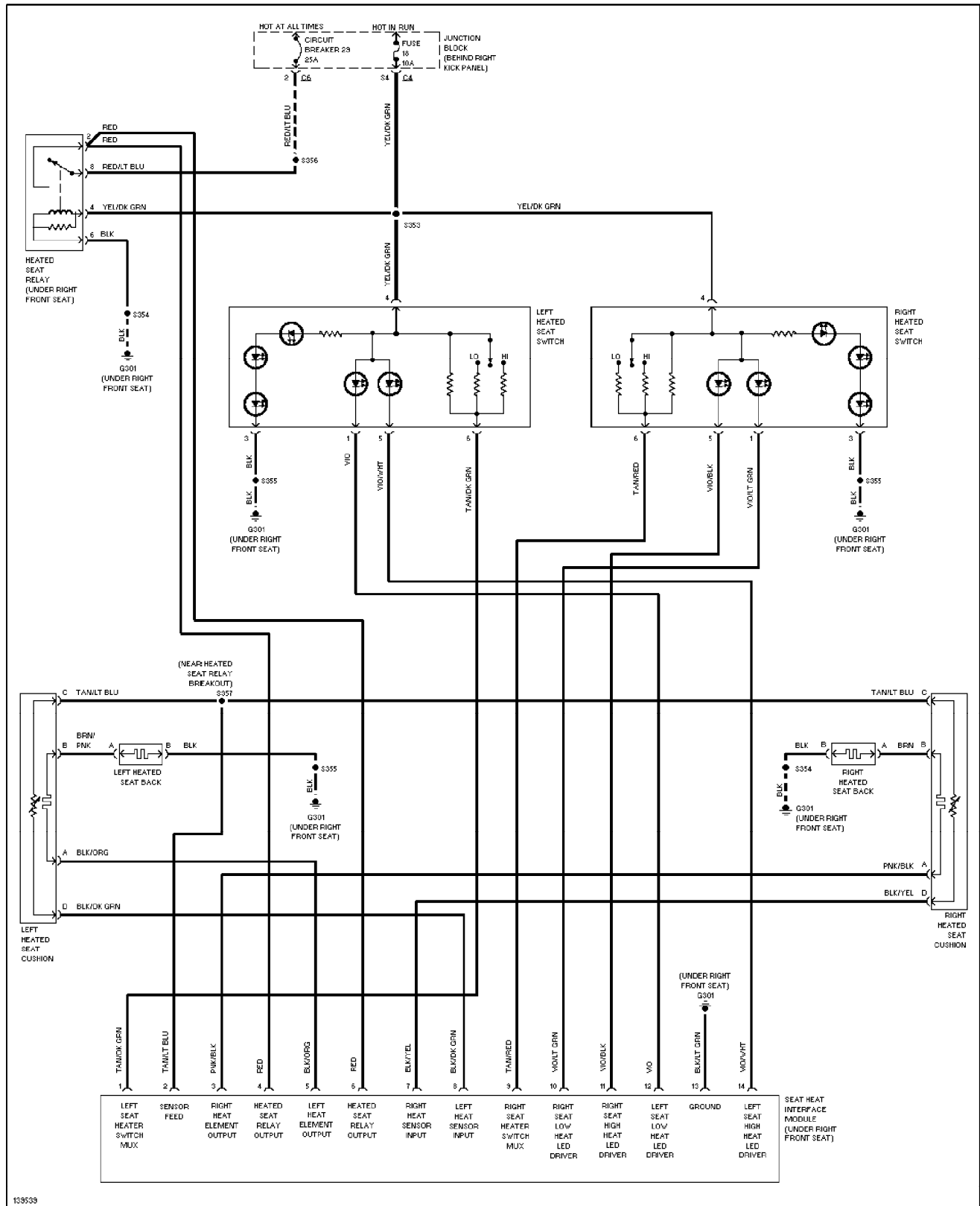


139540

# SYSTEM WIRING DIAGRAMS

## Heated Seats Circuit (p. 29)

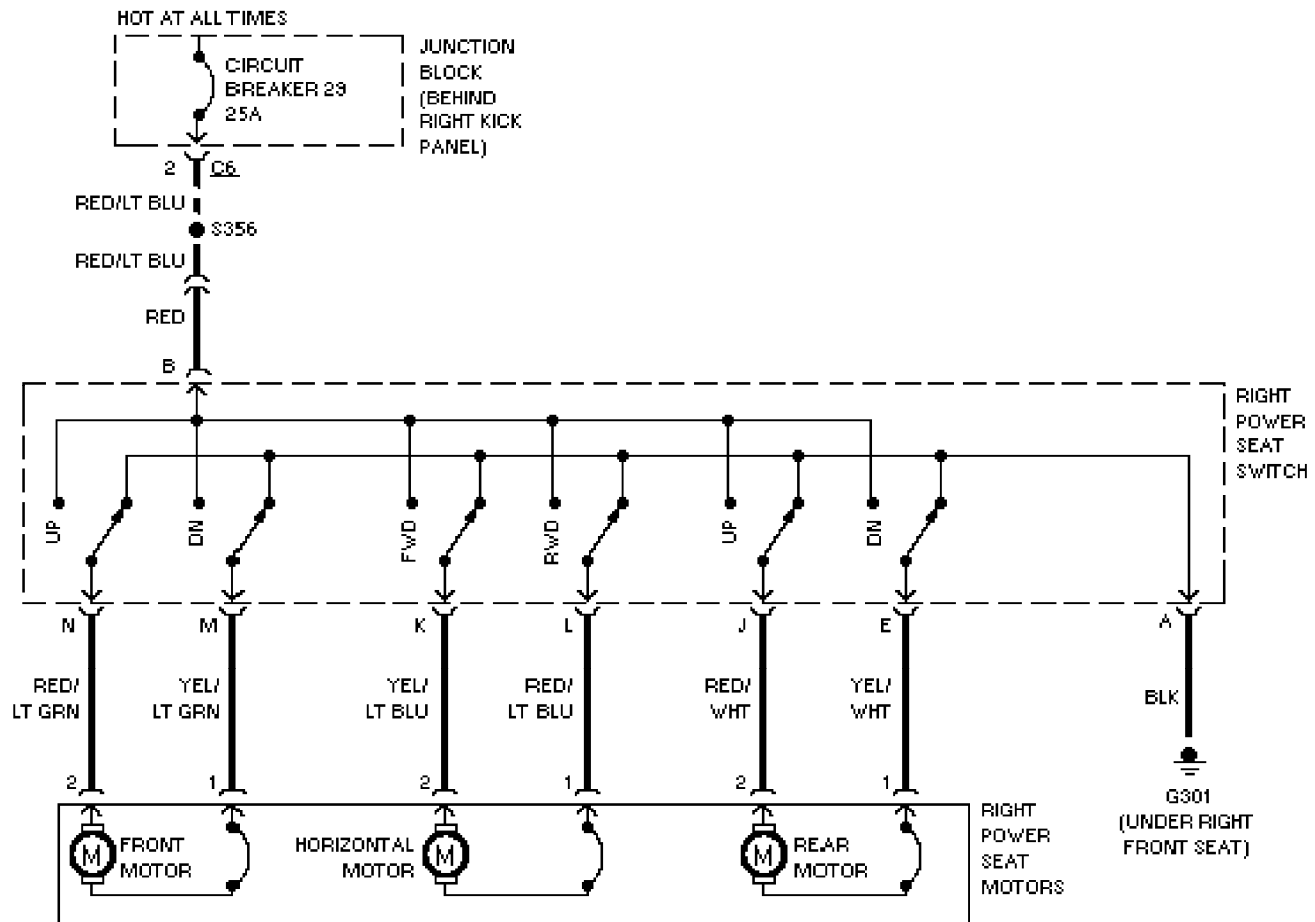
2001 Jeep Cherokee



# SYSTEM WIRING DIAGRAMS

## Passenger Power Seat Circuit (p. 30)

2001 Jeep Cherokee

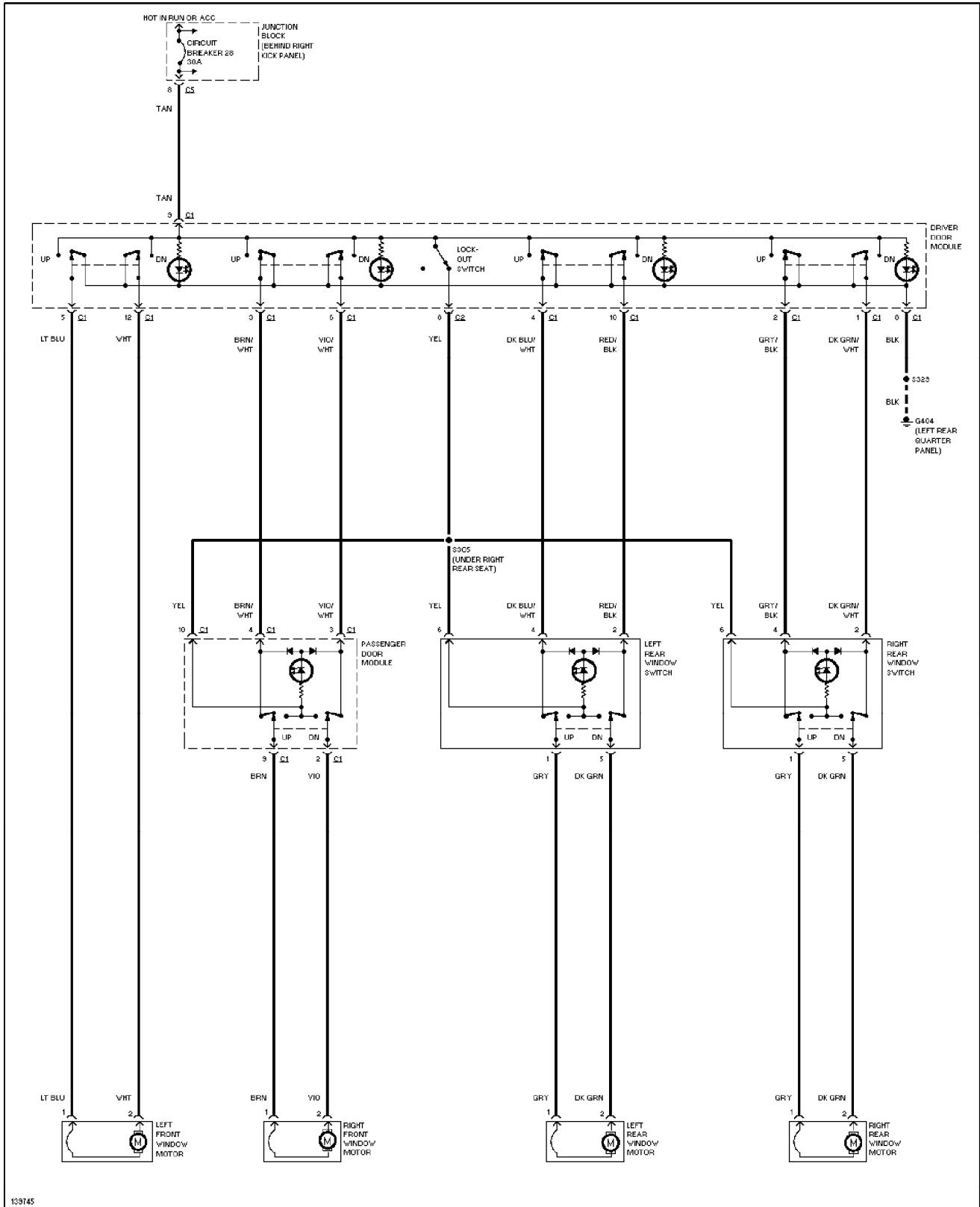


139541

# SYSTEM WIRING DIAGRAMS

## Power Window Circuit (p. 31)

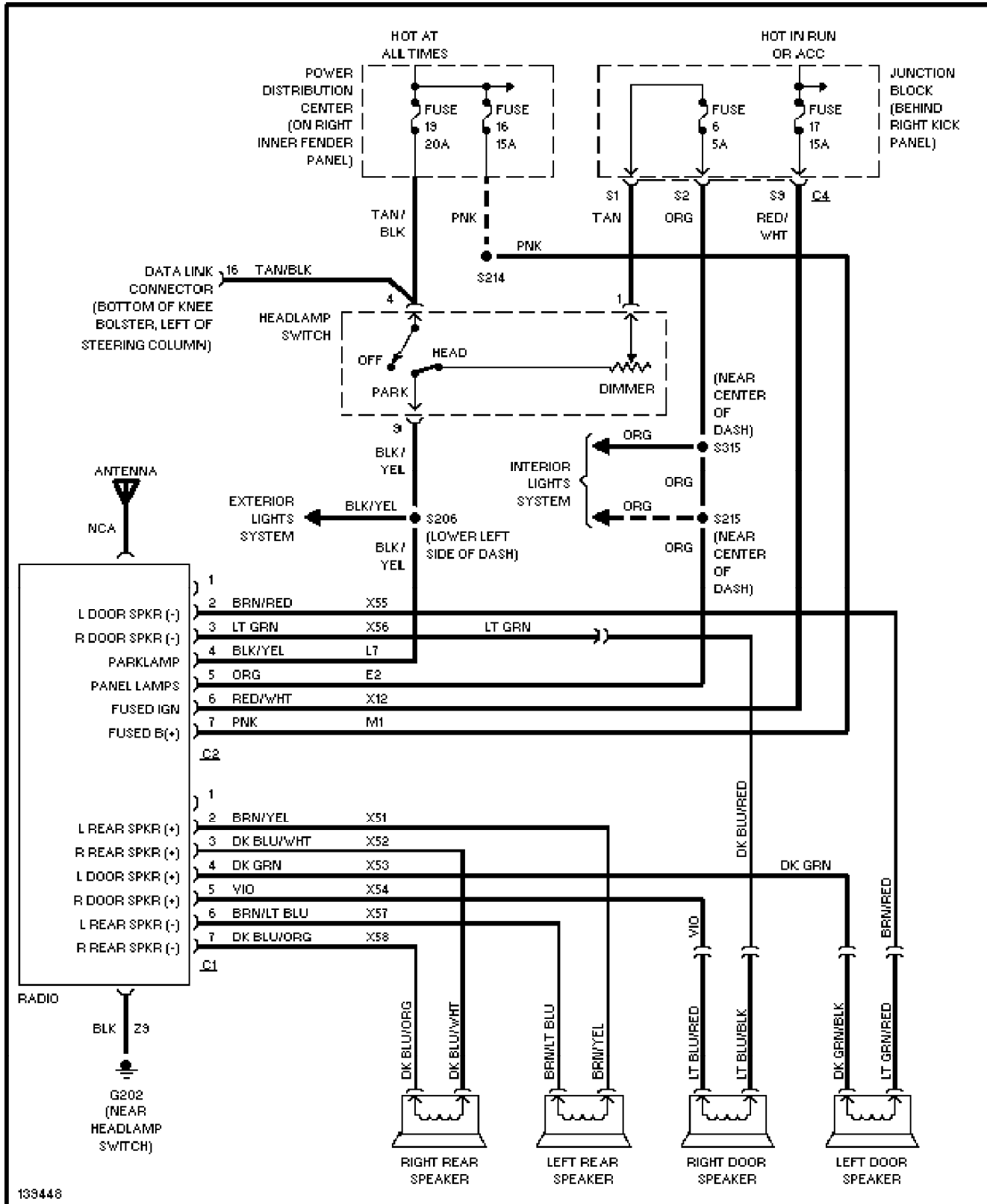
2001 Jeep Cherokee



# SYSTEM WIRING DIAGRAMS

## Base Radio (p. 32)

2001 Jeep Cherokee

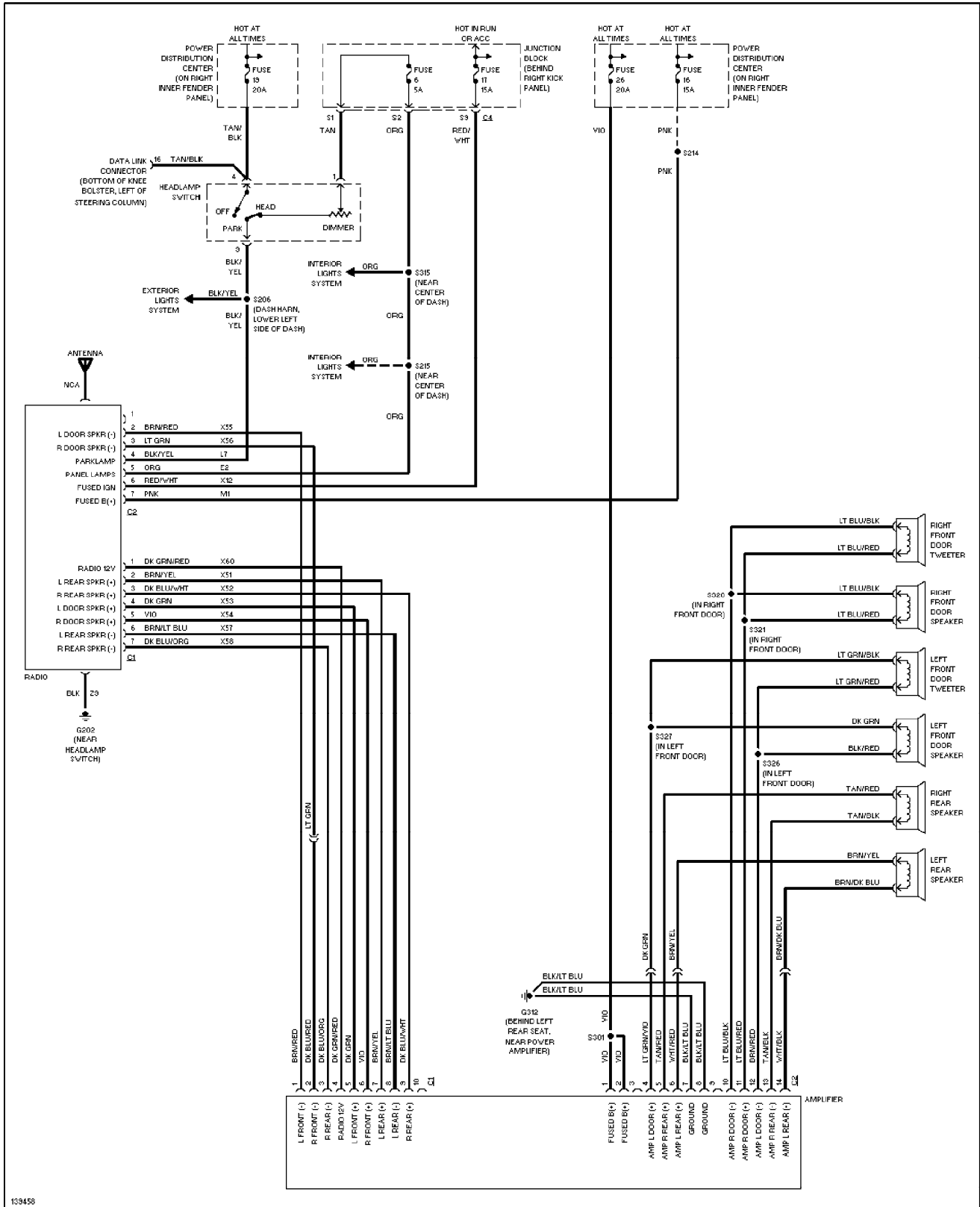




# SYSTEM WIRING DIAGRAMS

## Premium Sound Radio Circuit (p. 33)

2001 Jeep Cherokee

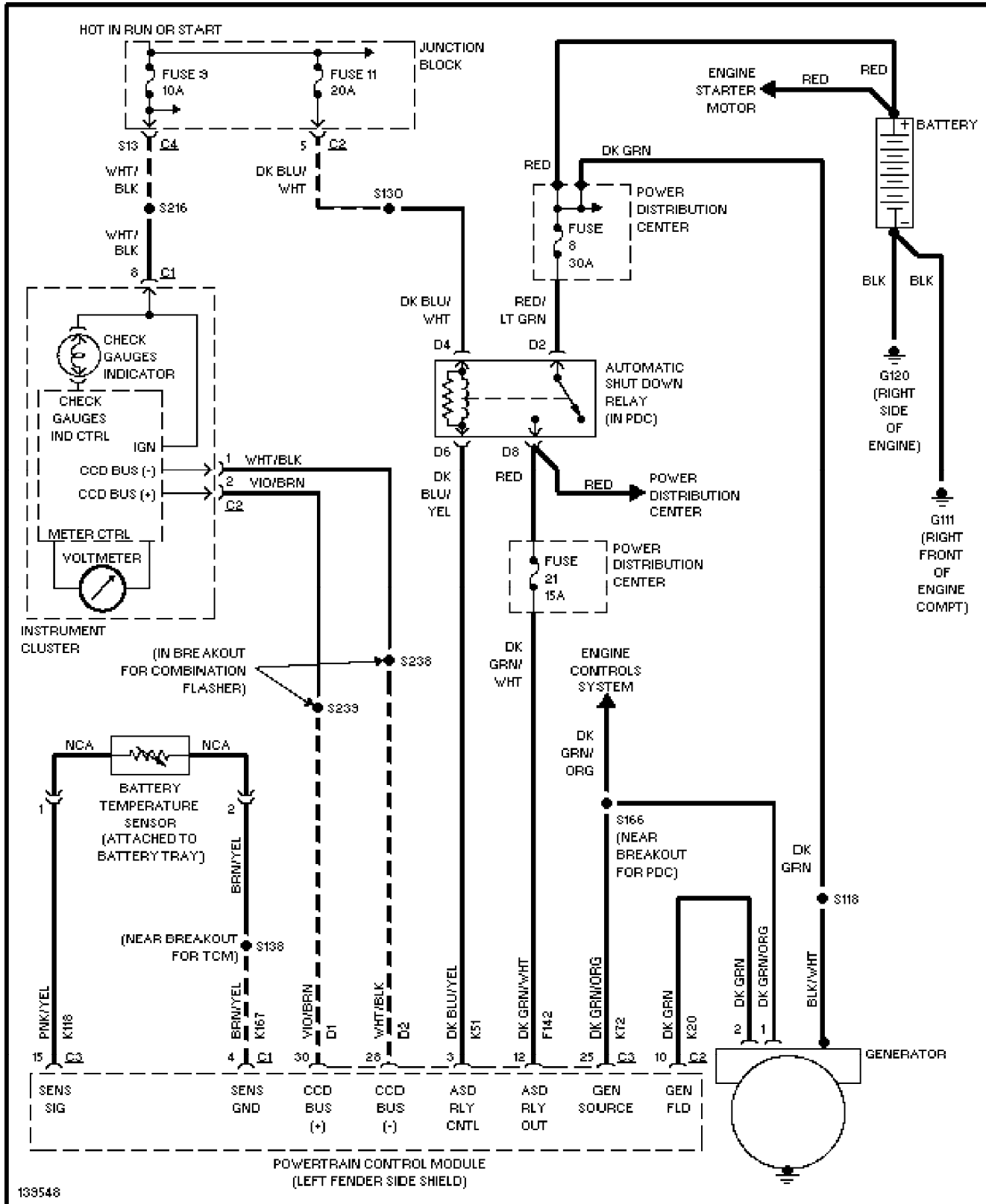




# SYSTEM WIRING DIAGRAMS

## Charging Circuit (p. 35)

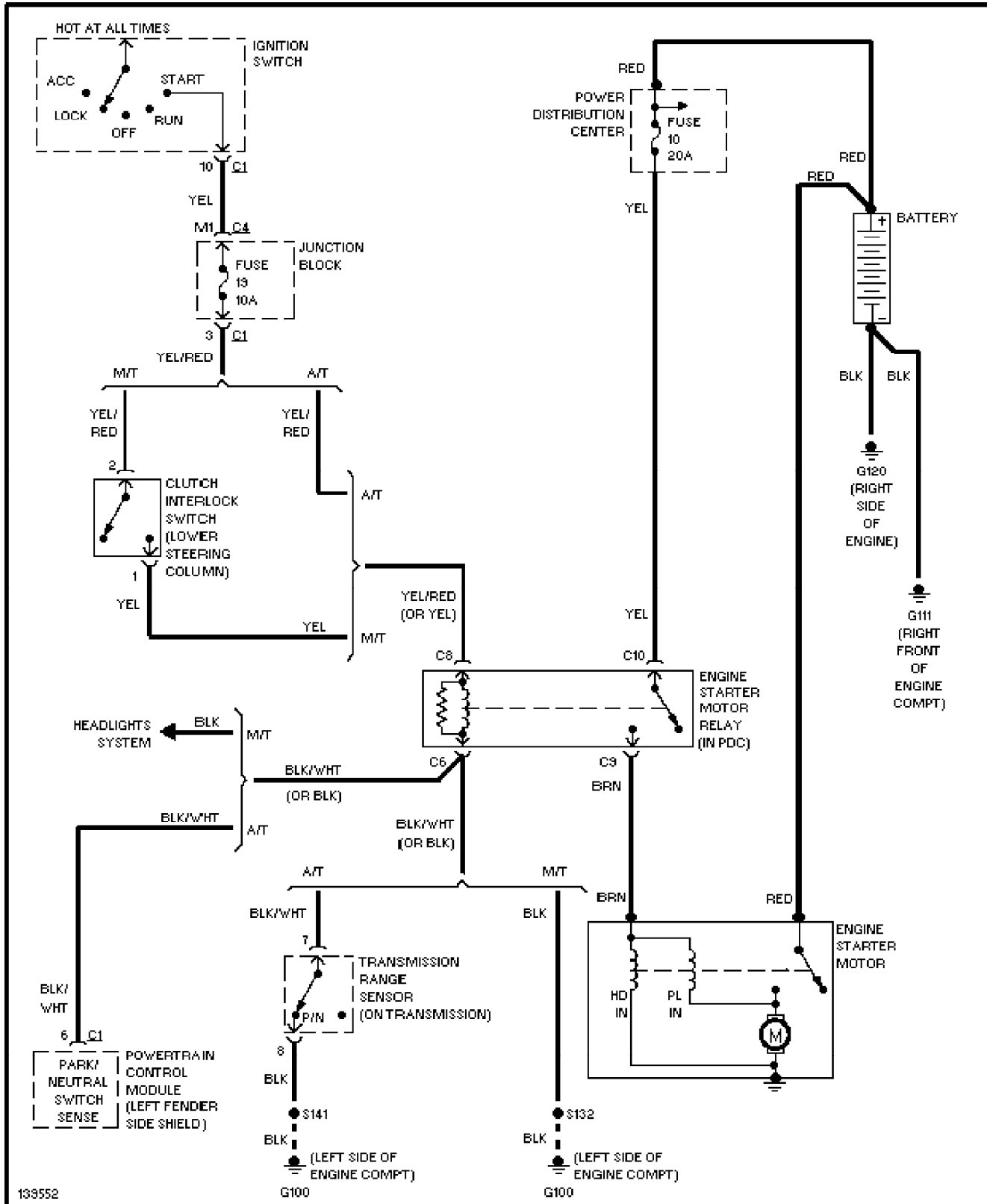
2001 Jeep Cherokee



# SYSTEM WIRING DIAGRAMS

## Starting Circuit (p. 36)

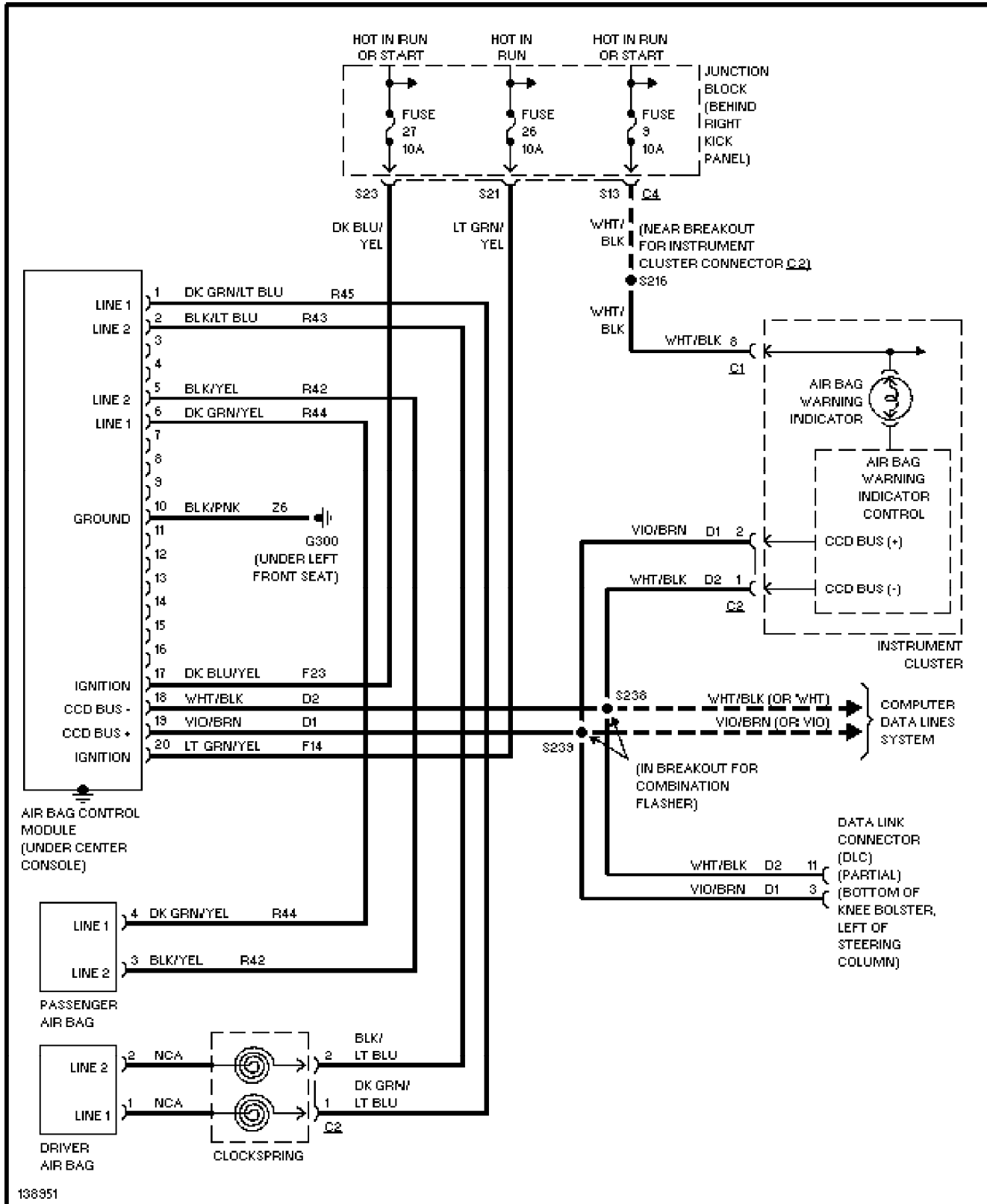
2001 Jeep Cherokee



# SYSTEM WIRING DIAGRAMS

## Supplemental Restraint Circuit (p. 37)

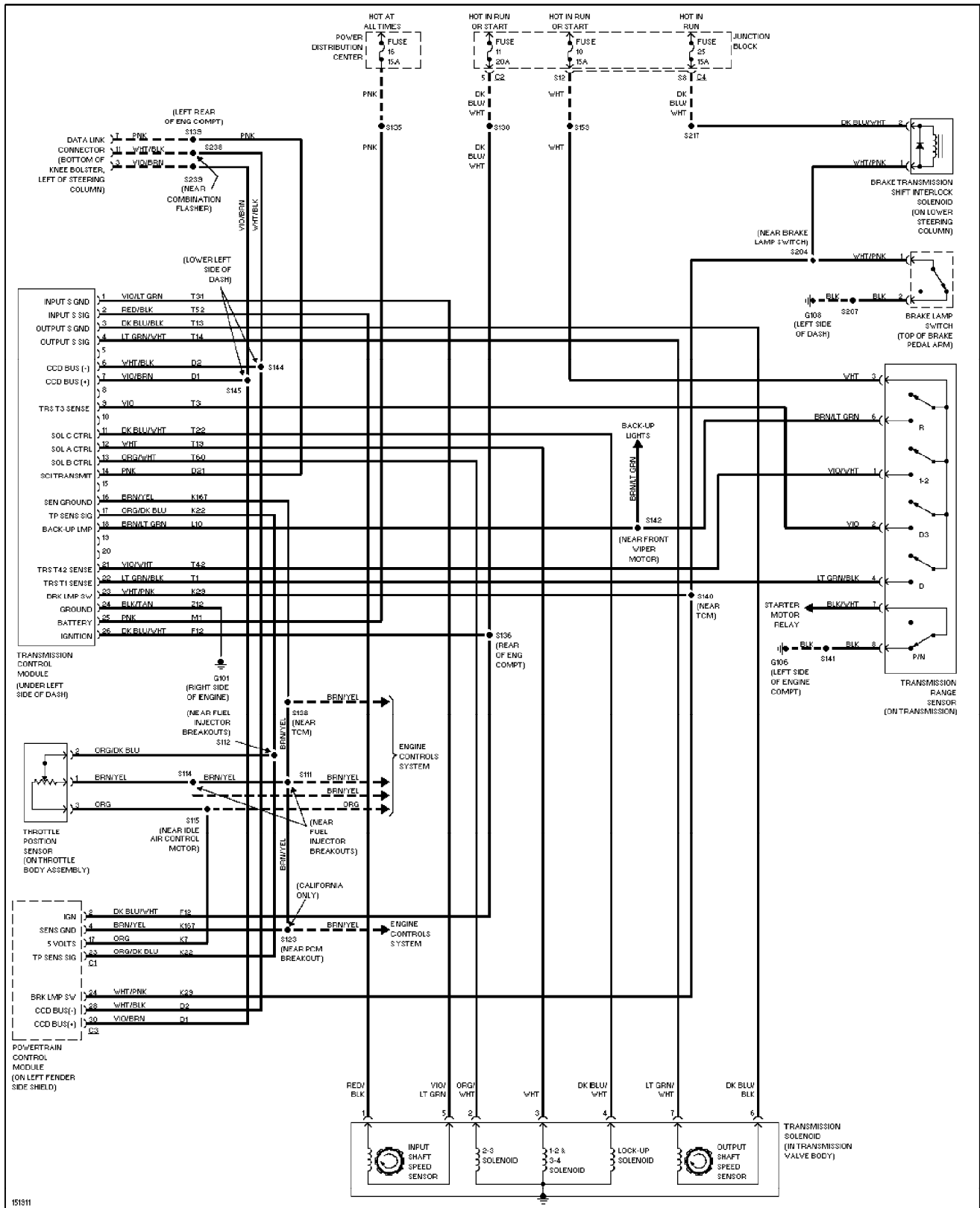
2001 Jeep Cherokee



# SYSTEM WIRING DIAGRAMS

## 4.0L, A/T Circuit (p. 38)

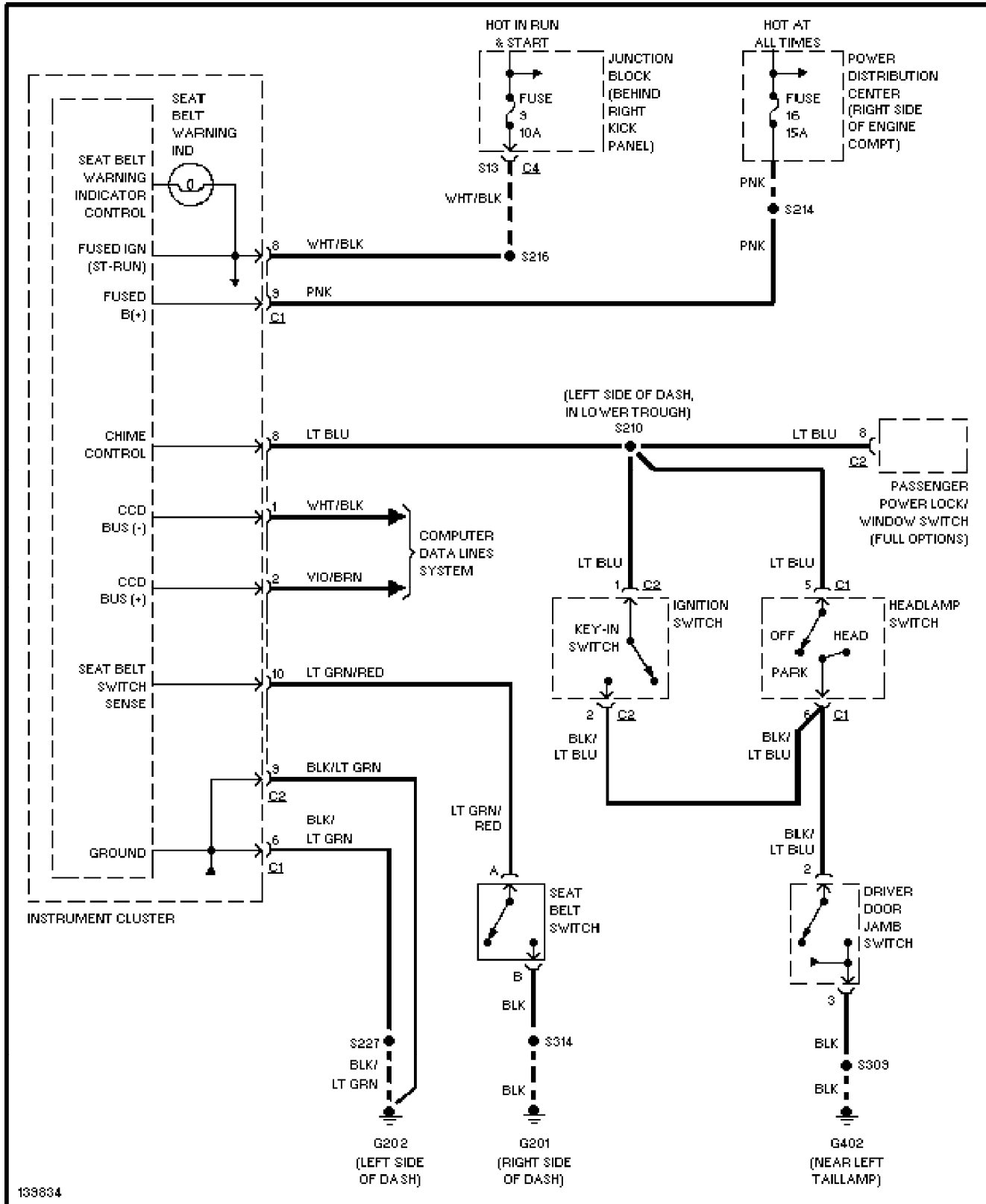
2001 Jeep Cherokee



# SYSTEM WIRING DIAGRAMS

## Warning System Circuits (p. 39)

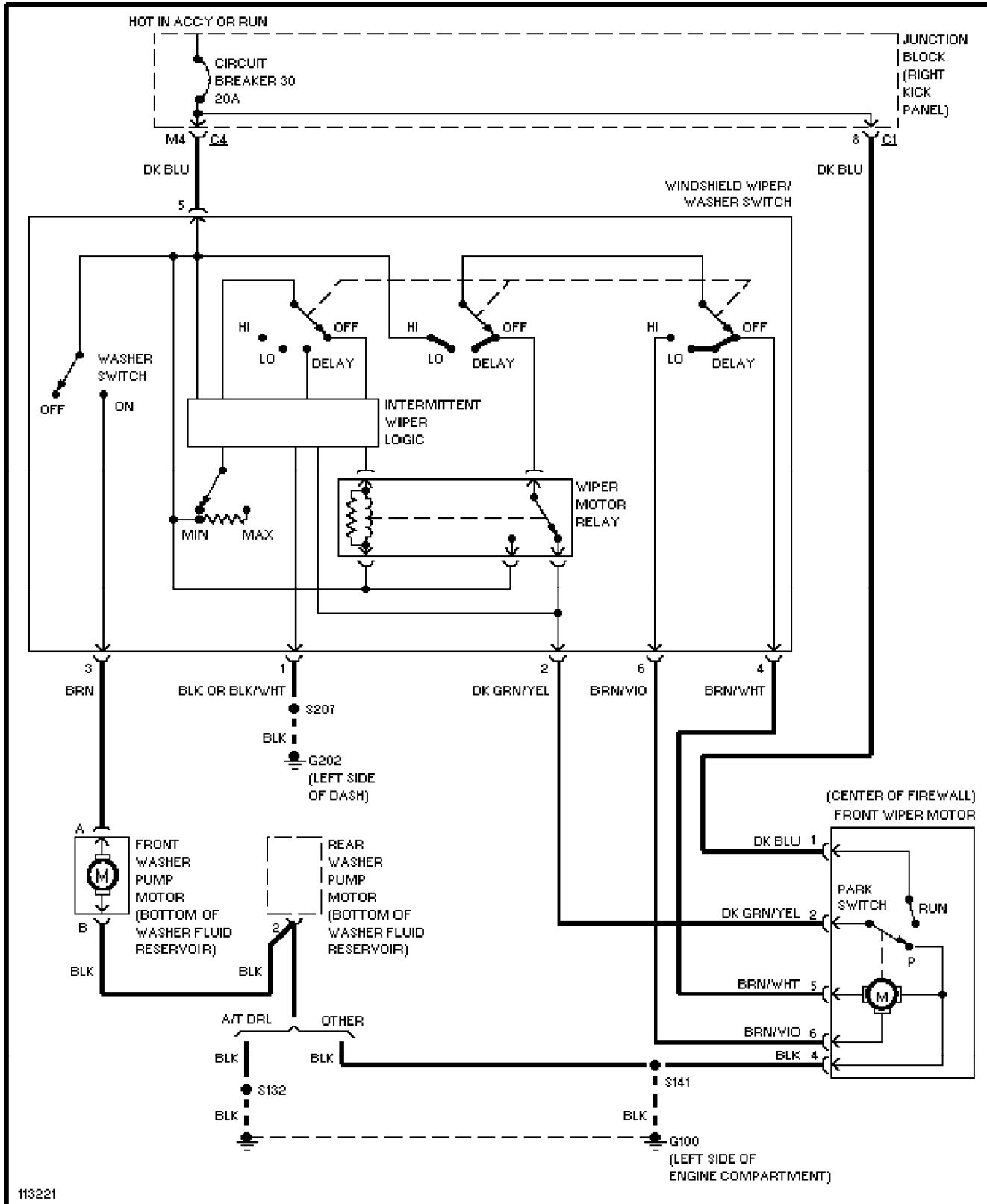
2001 Jeep Cherokee



# SYSTEM WIRING DIAGRAMS

## Front Wiper/Washer Circuit (p. 40)

2001 Jeep Cherokee





# SYSTEM WIRING DIAGRAMS

## Rear Wiper/Washer Circuit (p. 41)

2001 Jeep Cherokee

