

SECTION 20
BODY SERVICE

CONTENTS

20-1. FRONT DOOR	20-2
DESCRIPTION	20-2
REMOVAL	20-3
INSTALLATION	20-5
20-2. BACK DOOR (APPLICABLE TO METAL TOP VEHICLE)	20-8
20-3. CHASSIS DIMENSIONS	20-10

20-1. FRONT DOOR

DESCRIPTION

There are two types of the door for this model: full metal type and half metal type. The full metal type door is provided with a door window glass which slides up and down (closes and opens) as the door window regulator handle is turned, while the half metal type door is not.

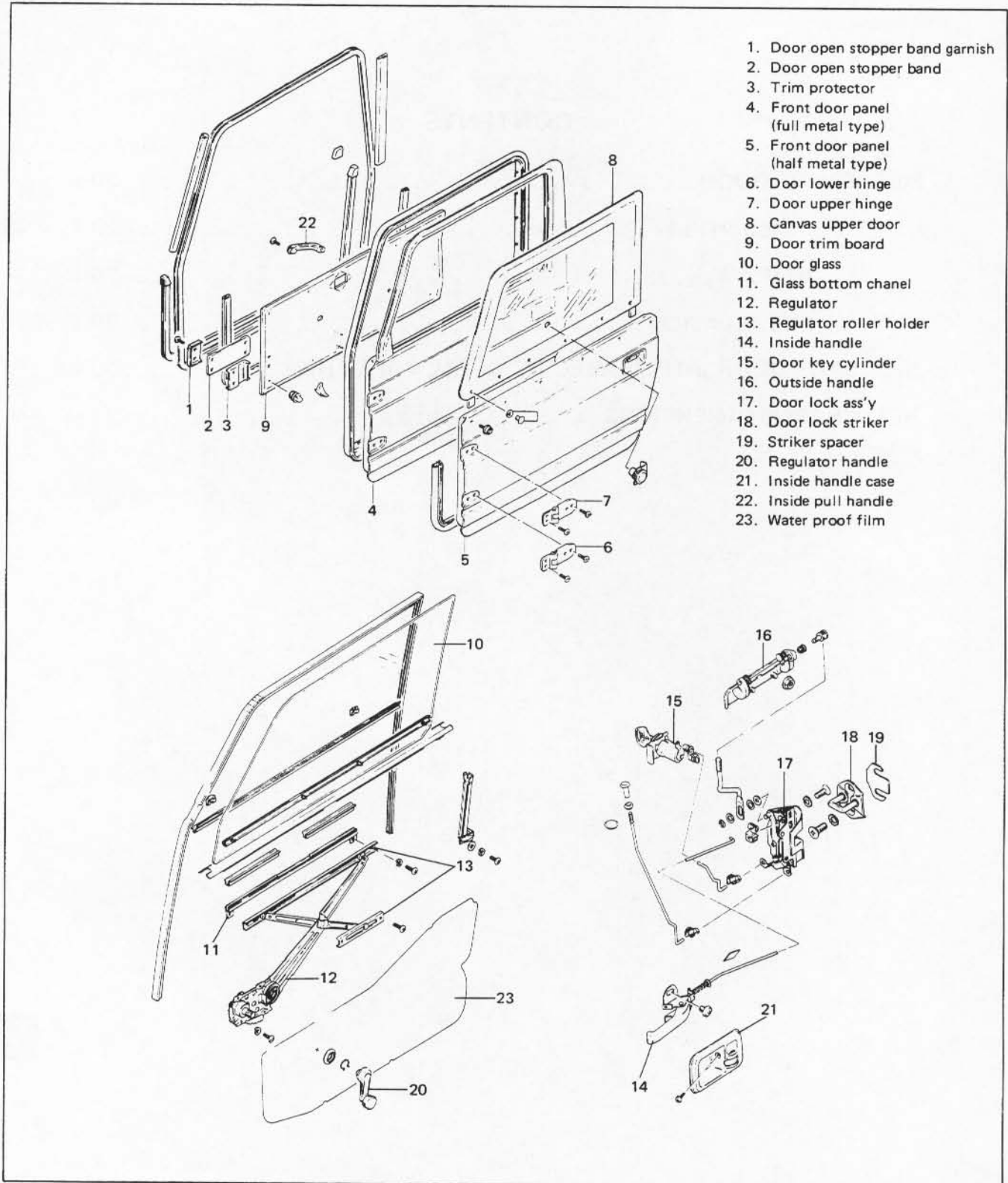


Fig. 20-1-1

REMOVAL

Door Window Glass

(Applicable to full metal type door)

1) Remove door window regulator handle.

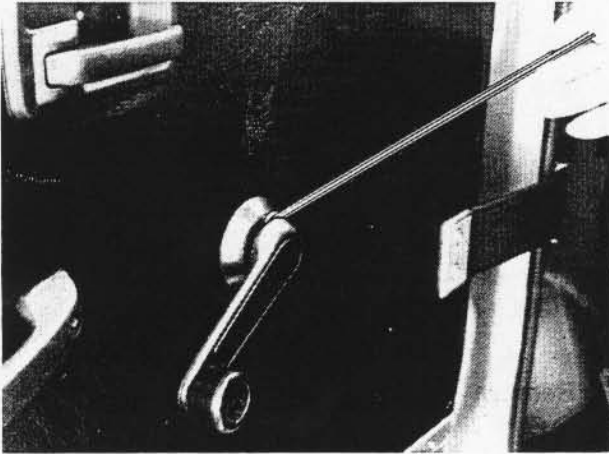


Fig. 20-1-2

2) Remove inside handle case.

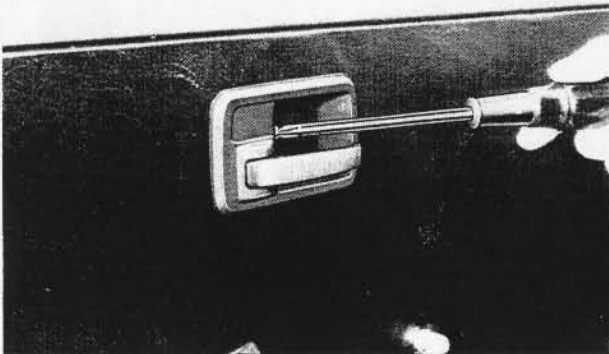


Fig. 20-1-3

3) Remove inside pull handle.

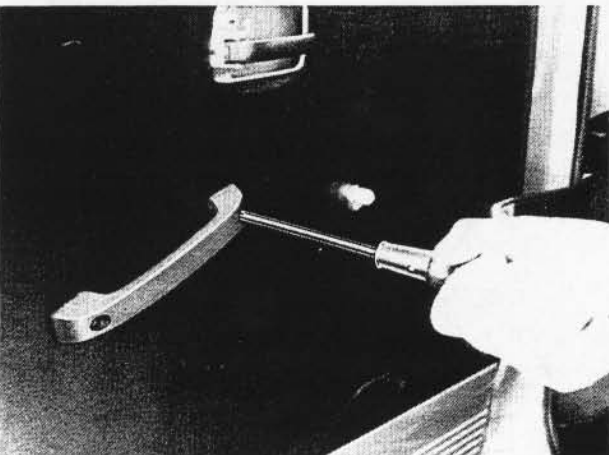


Fig. 20-1-4

4) Loosen two screws securing the stopper band, and take off the band.

5) Remove door trim board.



Fig. 20-1-5

6) Remove the door water proof film.

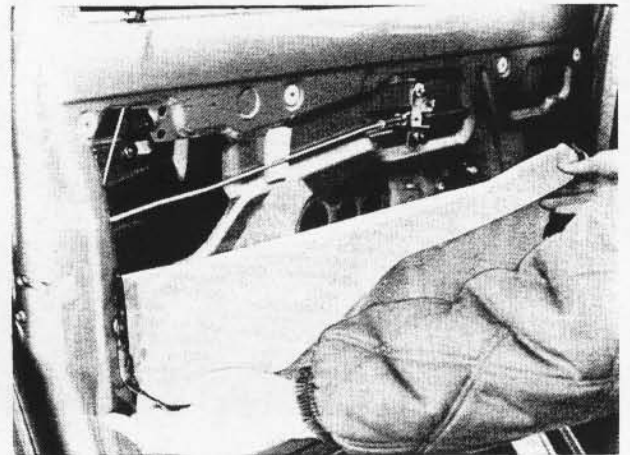


Fig. 20-1-6

7) Remove the glass inside and outside scrape.

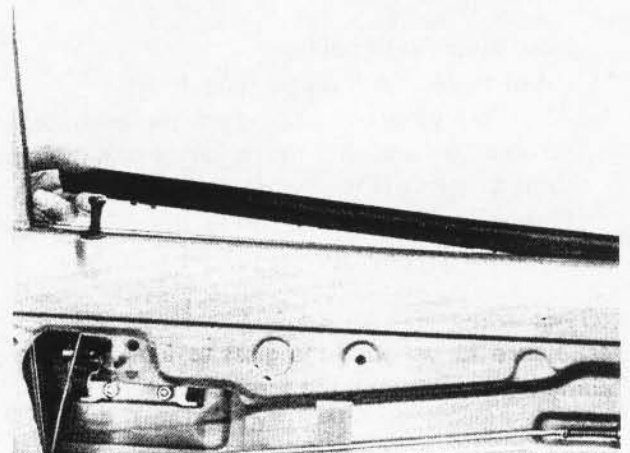


Fig. 20-1-7

8) Remove 2 screws securing the door window regulator roller holder (lower side).

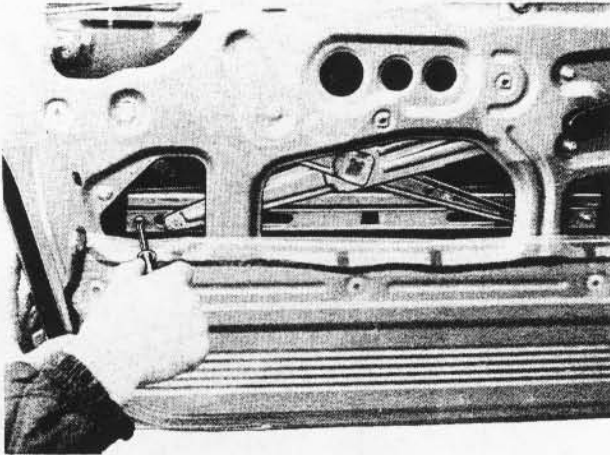


Fig. 20-1-8

9) Take out the glass.



Fig. 20-1-9

10) Detach glass from bottom channel.

Door Window Regulator

(Applicable to full metal type door)

After carrying out door glass removal steps 1) through 6) and 8), move on to the following steps to take off the door window regulator.

1) Remove 2 screws securing the door window regulator roller holder (upper side).

NOTE:

Make sure to support the glass to keep it from falling while removing the screws.

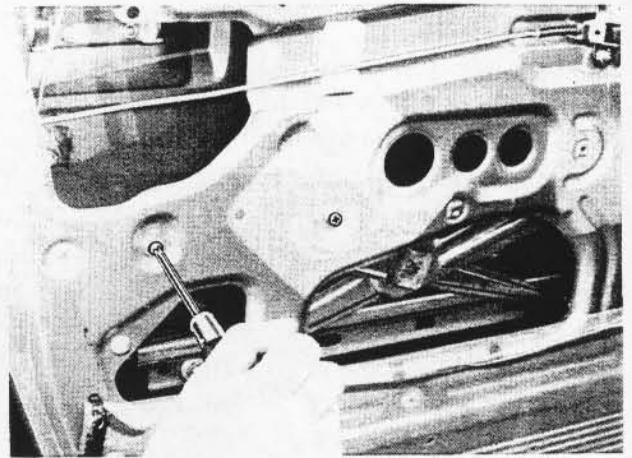


Fig. 20-1-10

2) Remove 4 screws securing the window regulator.

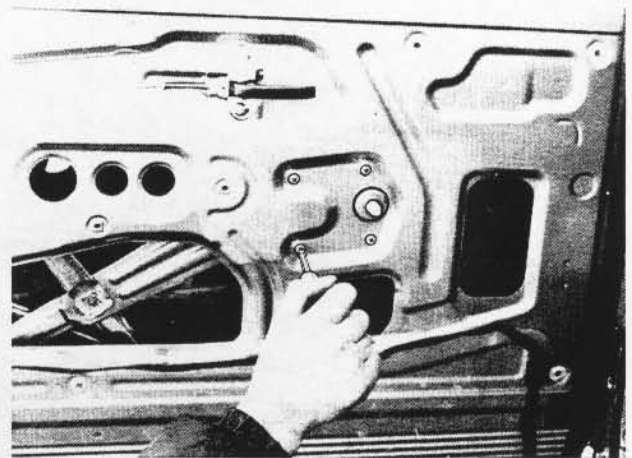


Fig. 20-1-11

3) Remove the window regulator.

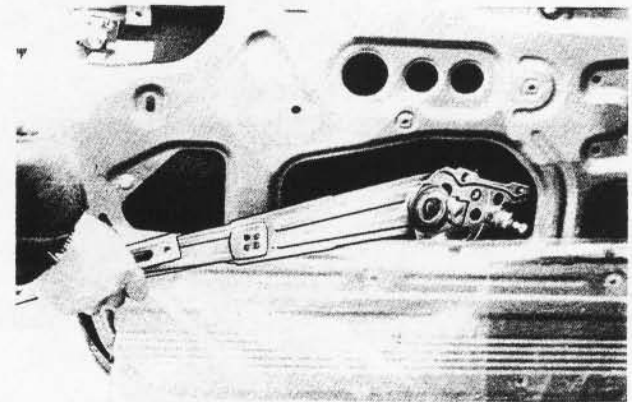


Fig. 20-1-12

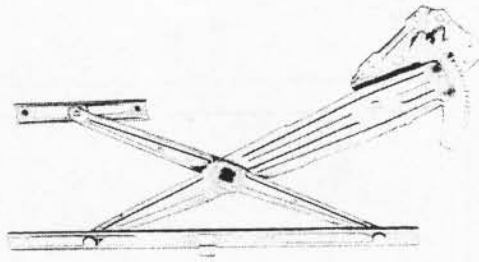
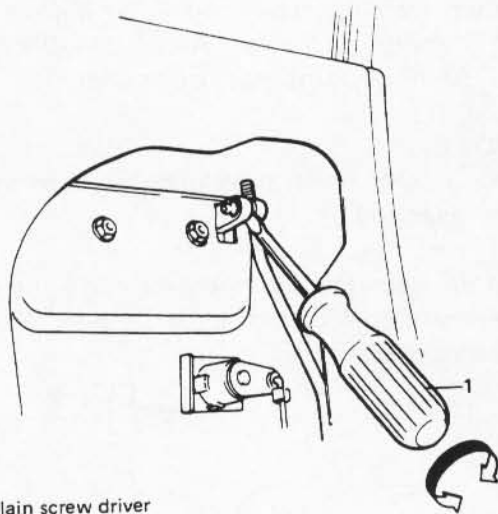


Fig. 20-1-13

Front Door Lock

After carrying out steps 1) through 6) of door glass removal, move on to the following step to take off the door lock.

After disconnecting each joint of control link, remove the door inside handle and door lock ass'y.



1. Plain screw driver

Fig. 20-1-14

INSTALLATION

**Door Window Glass or Regulator
(Applicable to full metal type door)**

Reverse the removal sequence to install the door window glass or regulator. However, be careful of the following points.

[Door window regulator]

When installing door window regulator to door panel, apply multi-purpose grease to the sliding parts.

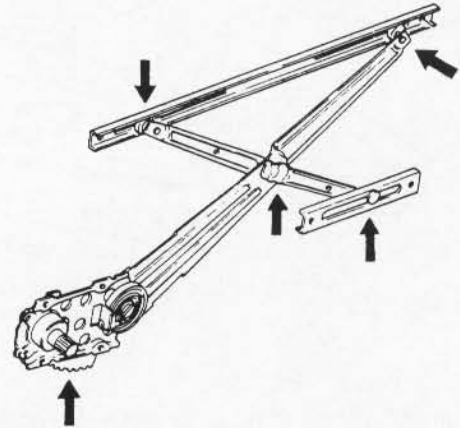


Fig. 20-1-15

[Door glass]

When fitting the glass bottom channel on the door glass, adjust the distance between the glass end ① and channel end ② to that indicated below.

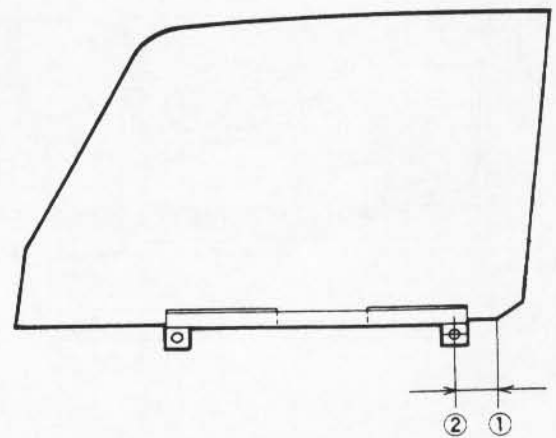


Fig. 20-1-16

42 mm (1.65 in.)

When it is hard to raise and lower the door glass, the glass may be slanting towards the door sash. If this is the case, loosen the screws fastening the door regulator roller holder, move the holder up and down so that the glass and sash are brought in parallel.

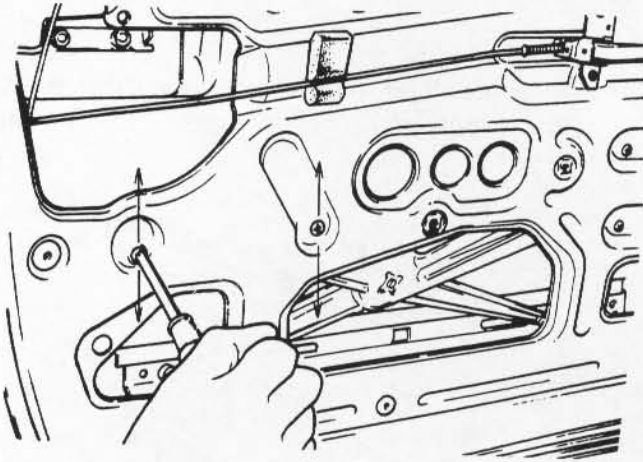


Fig. 20-1-17

[Water proof film]

A proof film that is broken a little may be mended with vinyl tape but should be replaced with polyethylene film as a rule. Apply bonding agent all around the circumference and stick on from the underside.

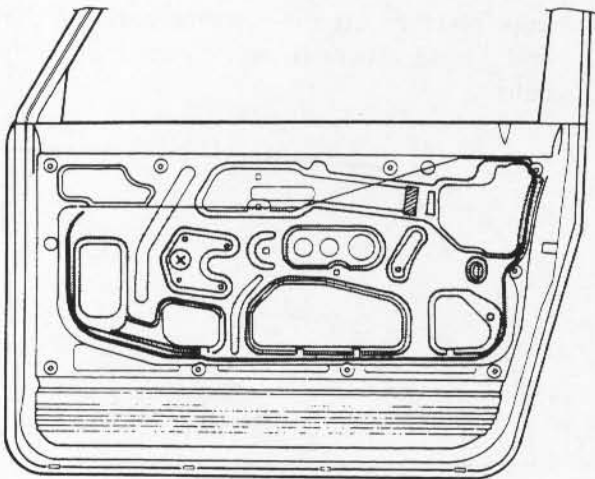


Fig. 20-1-18

[Regulator handle]

Install the handle at the angle as specified in below figure with the door window glass closed (raised all the way up).

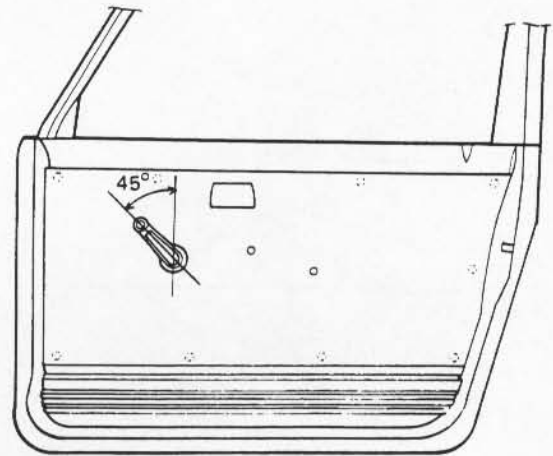


Fig. 20-1-19

Front Door Lock

Reverse the removal sequence to install the door lock. However, be careful of the following points.

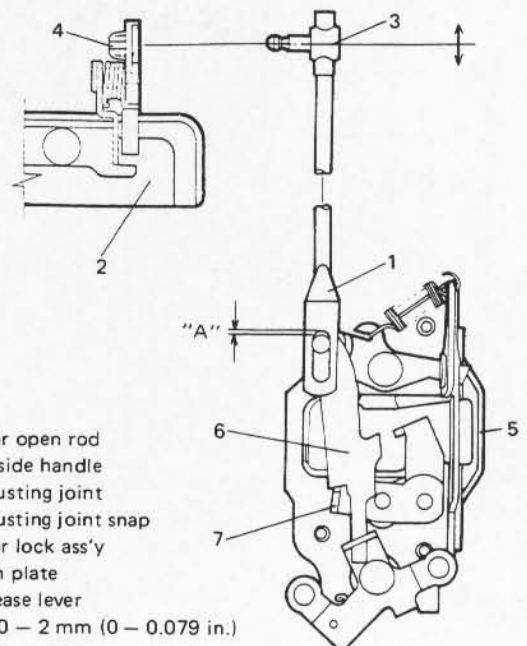
[Door outside open rod]

When installing open rod ① on outside handle ②, adjust clearance "A" to 0 – 2 mm (0 – 0.079 in) by turning adjusting joint ③.

NOTE:

Don't push down push plate ⑥ when installing the open rod.

After installing the open rod, give the outside handle a trial and check if its play felt then is appropriate.



1. Door open rod
2. Outside handle
3. Adjusting joint
4. Adjusting joint snap
5. Door lock ass'y
6. Push plate
7. Release lever

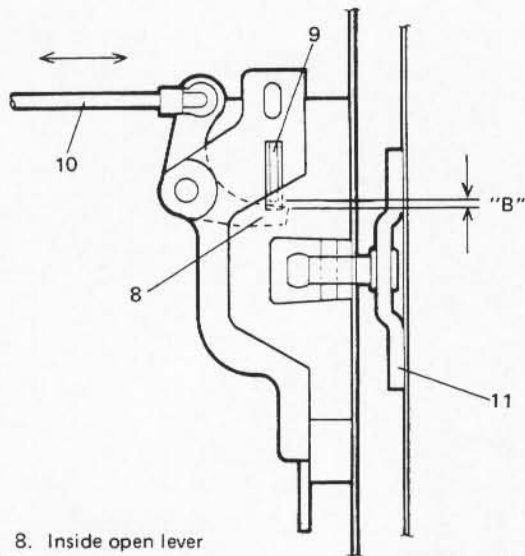
"A" : 0 – 2 mm (0 – 0.079 in.)

Fig. 20-1-20

[Door lock inside handle]

Fit the inside handle, adjusting the clearance between inside open lever ⑧ and outside open lever ⑨ of the door lock to 0 – 2 mm (0 – 0,079 in) by moving the inside handle remote control rod ⑩ in the arrow direction given in below figure.

After installation, give it a trial and check if its play felt then is appropriate.



- 8. Inside open lever
 - 9. Outside open lever
 - 10. Control rod
 - 11. Door lock striker
- "B" : 0 – 2 mm (0 – 0.079 in.)

Fig. 20-1-21

[Door lock rod pin]

Fix the lock rod with rod pin securely as illustrated below.

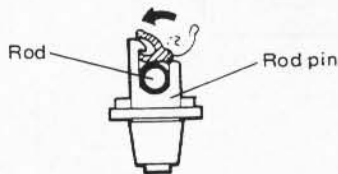


Fig. 20-1-22

[Door lock striker]

Increase or decrease striker spacers fitted in "A" position behind the striker to adjust dimensions to below values as shown in below figure.

After adjustment, check the difference in level between the door and body and adjust when there is difference by moving the door lock striker to right or left.

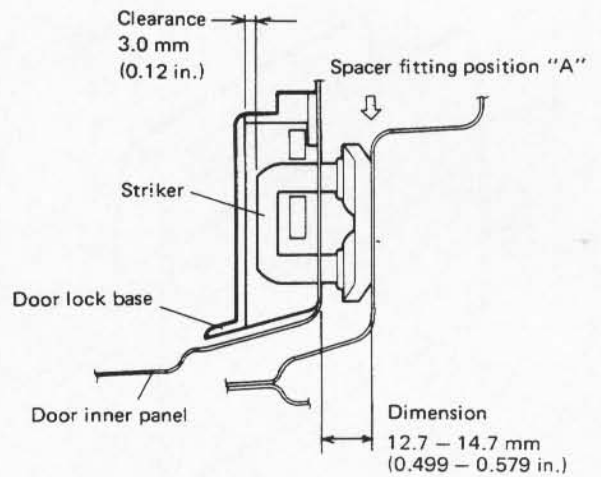


Fig. 20-1-23

Move the striker base up and down so that striker shaft aligns with the center of the groove of the door lock (the clearance between the shaft of door lock striker and lock base is 1.0 mm (0.04 in.)) in the vertical direction.

CAUTION:

- The striker should be placed vertically.
- Do not adjust the door lock.

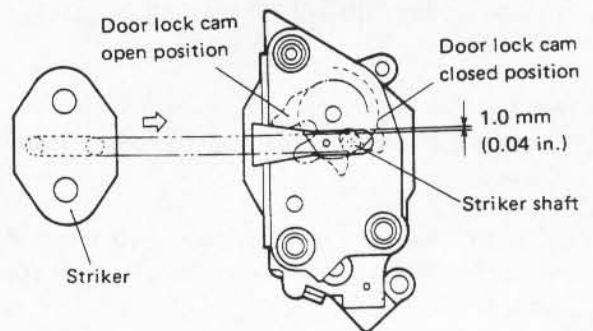


Fig. 20-1-24

20-2. BACK DOOR (APPLICABLE TO METAL TOP VEHICLE)

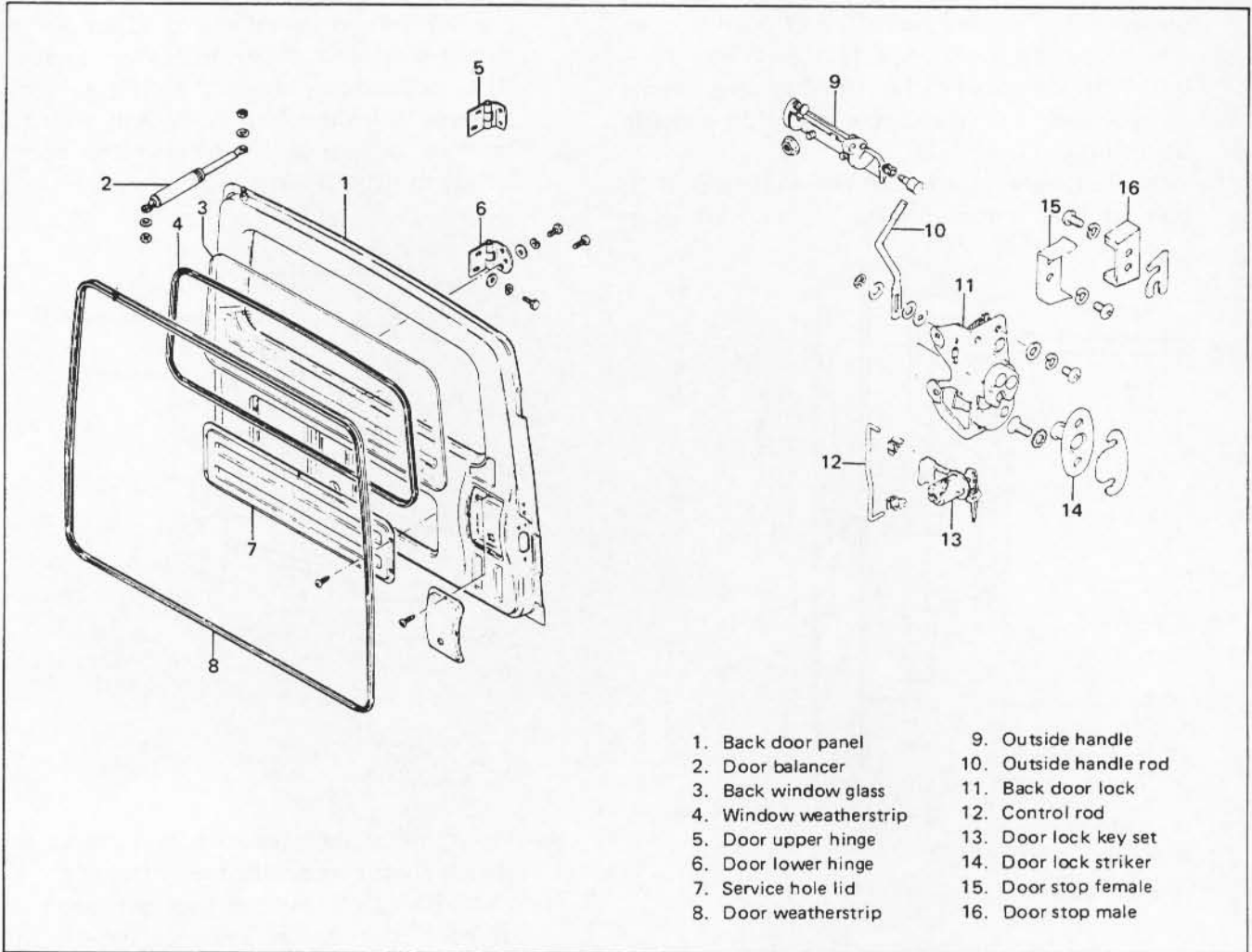


Fig. 20-2-1

DOOR LOCK AND STRICKER ADJUSTMENT Door Outside Open Rod

When installing open rod ② onto outside open handle ①, adjust clearances "A" to 0 – 2 mm (0 – 0.079 in) and "B" to 2 mm (0.079 in) as shown in Fig. 20-2-2 by turning adjusting joint ③.

NOTE:

Don't push down push plate ④ when installing the rod.

After installing the open rod, give the outside handle a trial and check if its play felt then is appropriate.

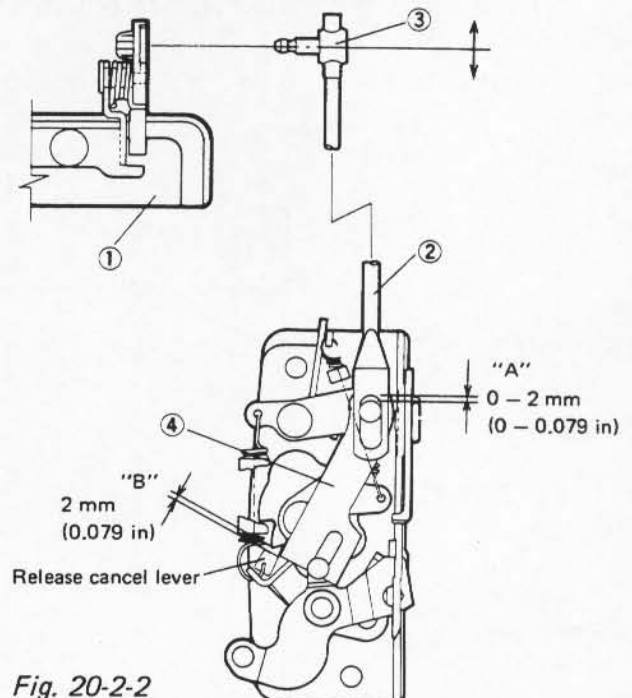


Fig. 20-2-2

Door Lock Stricker

After reinstalling the door lock striker or door lock which was once removed, adjust dimension "C" in Fig. 20-2-3 to 1.0 mm (0.04 in) by moving the striker up and down.

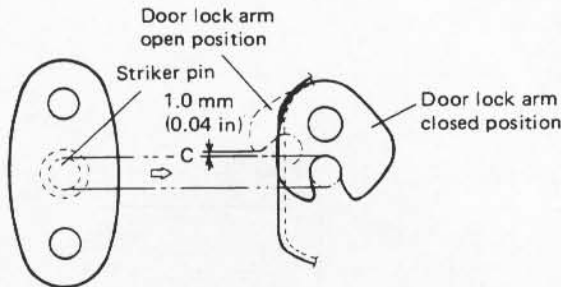


Fig. 20-2-3

To position the door lock striker correctly in the front and rear direction, adjust dimension "D" to 5.5 mm (0.22 in) as shown in Fig. 20-2-4 by increasing or decreasing spacers fitted in "E" position behind the striker.

After adjustment, check the difference in level between the door and body and adjust when there is a difference by moving the door lock striker to right or left.

CAUTION:
Do not adjust the door lock.

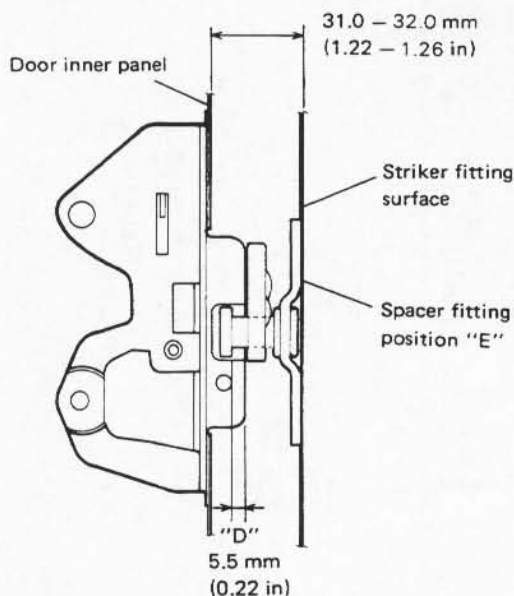


Fig. 20-2-4

Handling of Back Door Balancer

WARNING:

- Handle the balancer carefully. Do not scar or scratch the exposed surface of its piston rod, and never allow any paint or oil to stick to the surface.
- Do not disassemble the balancer because its cylinder is filled with high pressure gas.
- Do not put it into the fire.
- Do not store it where it gets hot.
- When discarding the removed back door balancer, envelop it, as illustrated, with a vinyl bag. Then, use a 2 to 3 mm (0.08 to 0.12 in) drill to make a hole, as shown, from above through the bag into the balancer and let gas out.

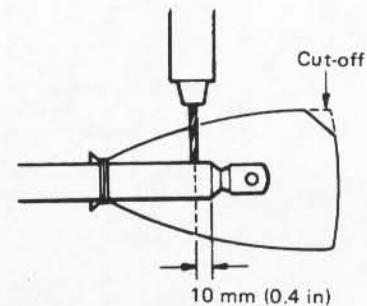


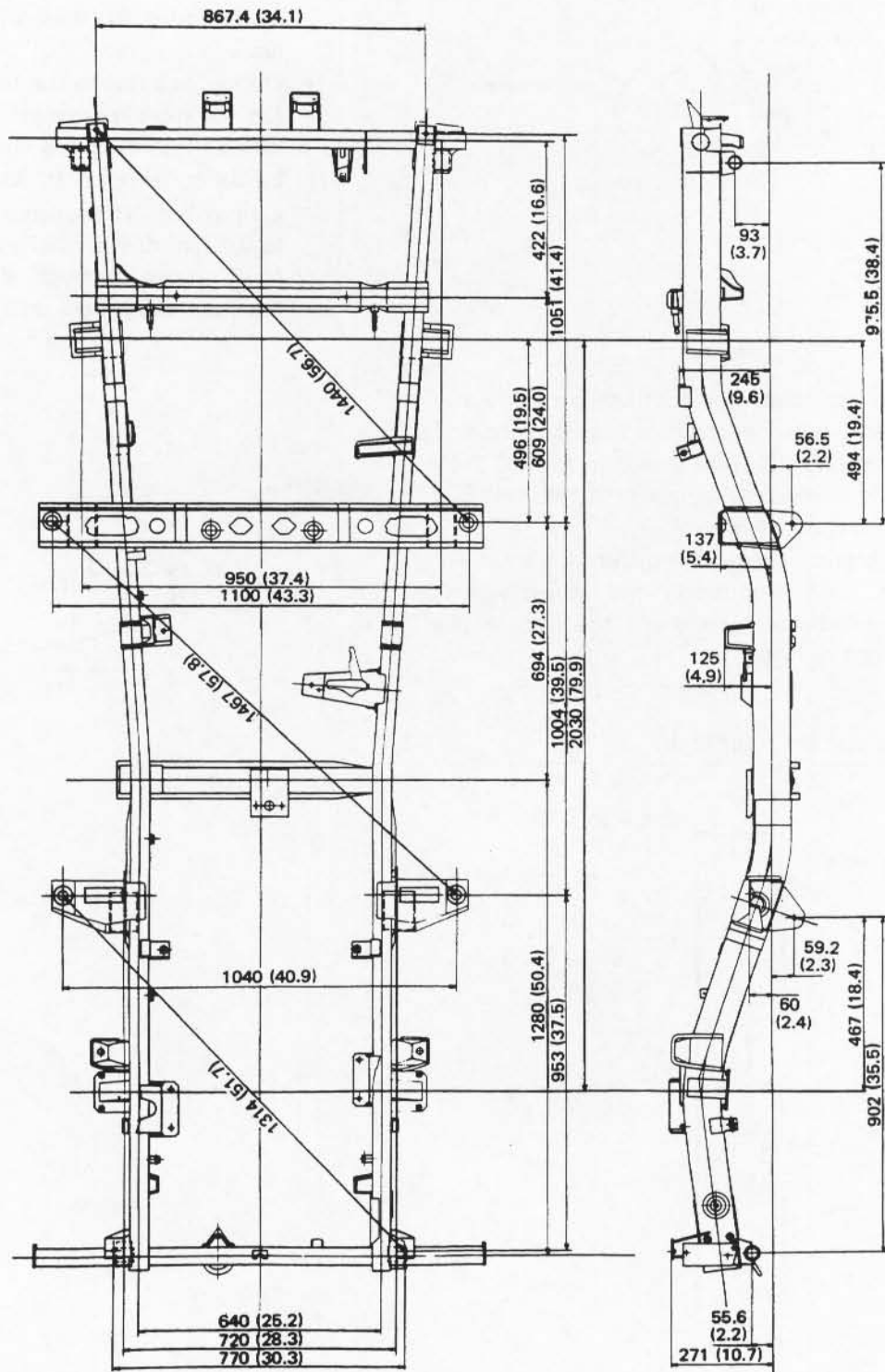
Fig. 20-2-5

20-3. CHASSIS DIMENSIONS

Unit: mm (in)

CANVAS TOP & METAL TOP MODELS

Dimension	Tolerance
$L < 100$ (3.94)	± 2 (0.079)
$100 \leq L < 1000$ (39.37)	± 3 (0.118)
$1000 \leq L$	± 4 (0.157)



LONG BODY MODEL

