

Area Application : Europe, Others(Saudi Arabia)

Model Name : LAND CRUISER, LAND CRUISER PRADO

Model Code : RZJ95, KDJ90, 95

Subject : ELECTRICAL WIRING DIAGRAM

This Service Bulletin is to inform you of the Electrical Wiring Diagram for the following systems due to the additions of the model equipped with 1KD-FTV engine and the engine immobiliser system for 3RZ-FE engine.

System	Location	
	LHD	RHD
Air Conditioner (Automatic 1KD-FTV)	49-4	47-4
Center Differential Lock (1KD-FTV w/VSC)	46-2	44-2
Charging (1KD-FTV)	41-3	39-3
Combination Meter (1KD-FTV)	48-2	46-2
Condenser Fan (Automatic 1KD-FTV)	49-2	47-2
Cruise Control (1KD-FTV)	42-10	40-10
ECT and A/T Indicator (1KD-FTV)	47-2	45-2
Engine Control (3RZ-FE w/Engine Immobiliser)	40-2	---
Engine Control (1KD-FTV)	42-2	40-2
Engine Immobiliser System (1KD-FTV)	42-12	40-12
Glow Plug (1KD-FTV)	42-1	40-1
Fuel Heater (1KD-FTV)	42-2	40-2
Illumination (1KD-FTV)	43-2	41-2
SRS (1KD-FTV)	44-2	42-2
Starting (1KD-FTV)	41-2	39-2
Viscous Heater (1KD-FTV)	46-3	44-3
VSC (1KD-FTV)	45-2	43-2

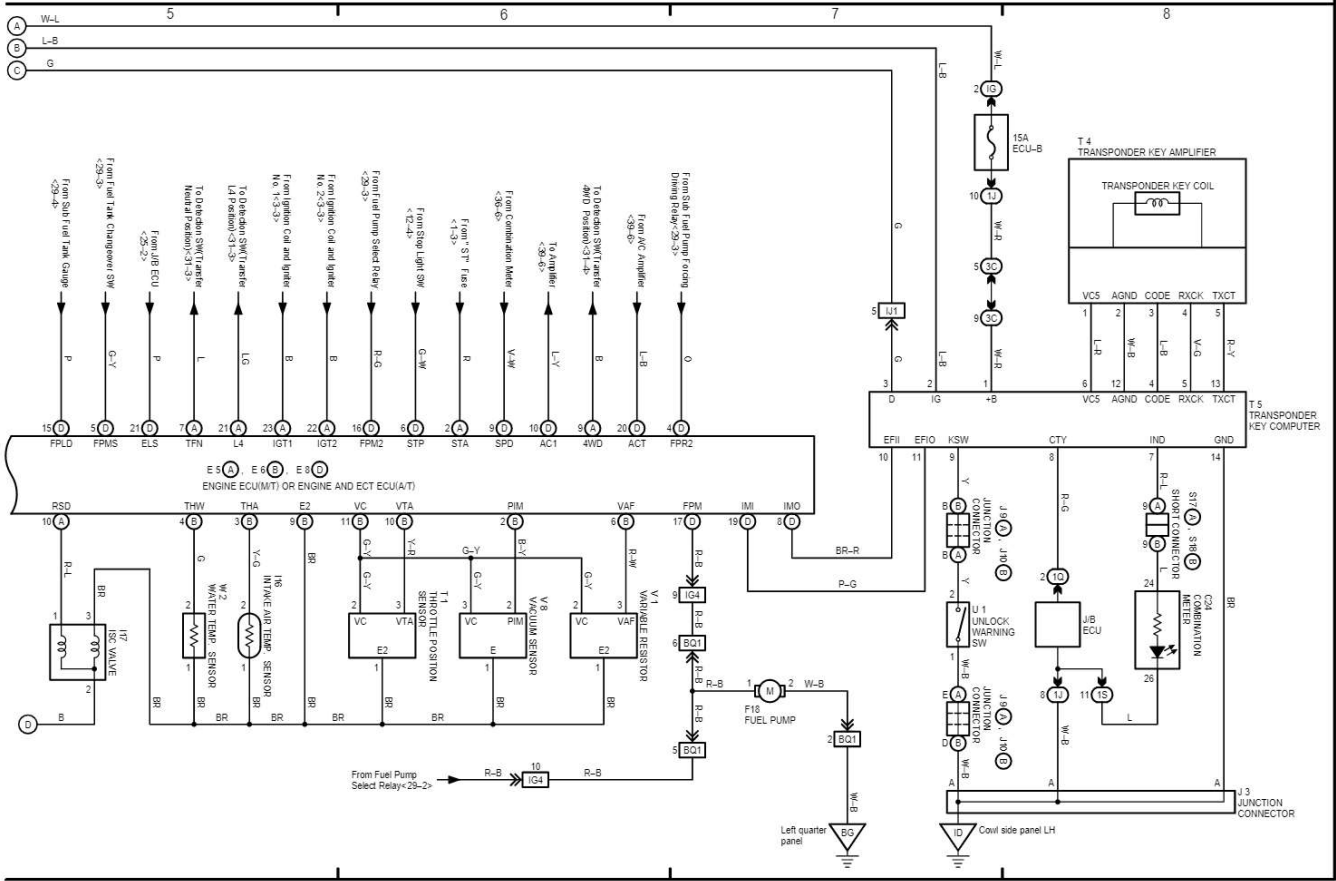
The attached pages will be applied to the following manuals.

Pub. No.	Publication Name
EWD269F	LAND CRUISER / LAND CRUISER PLADO Electrical Wiring Diagram
EWD340F	LAND CRUISER / LAND CRUISER PLADO Electrical Wiring Diagram Supplement
EWD376F	LAND CRUISER / LAND CRUISER PLADO Electrical Wiring Diagram Supplement

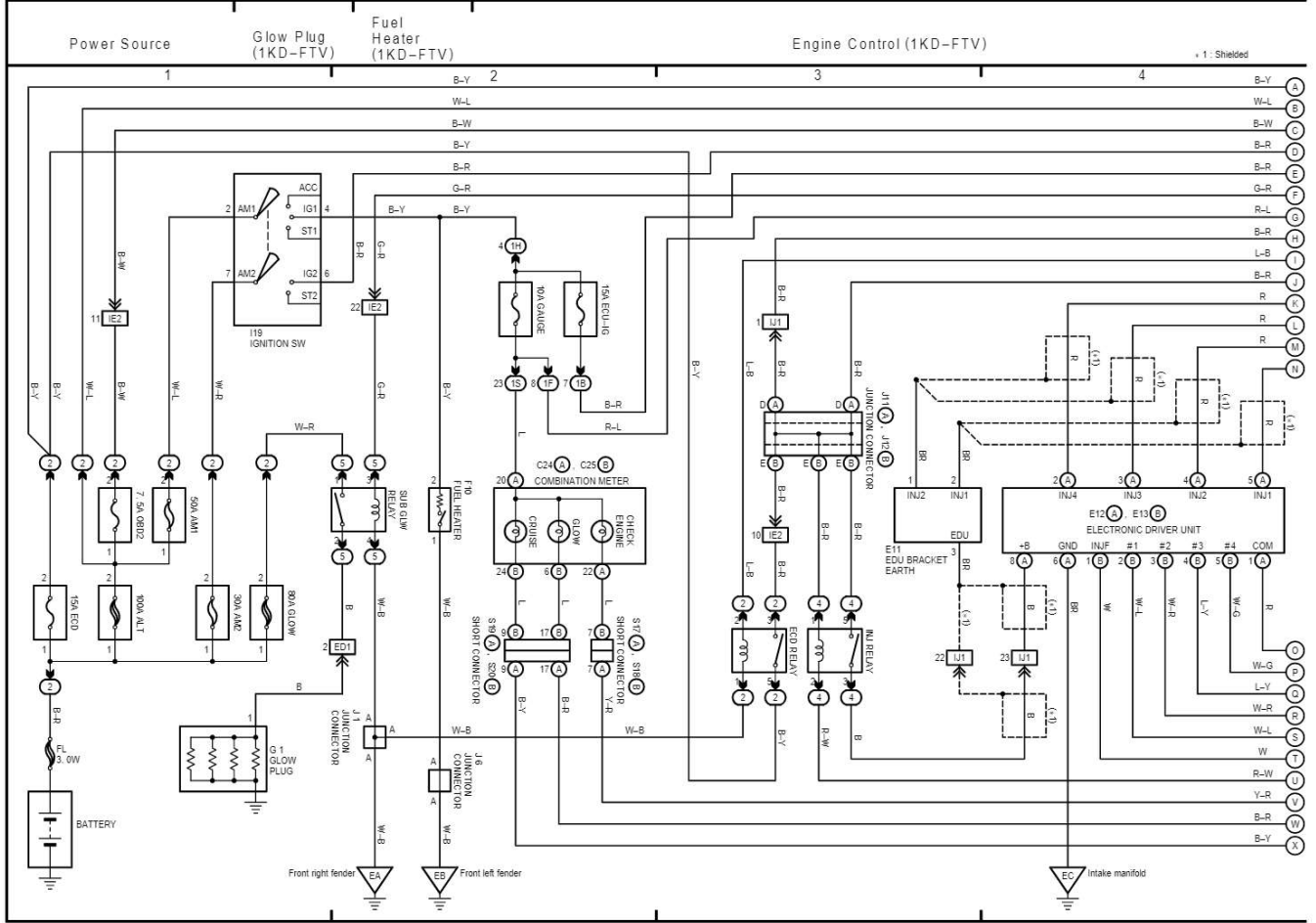
Production Effective :

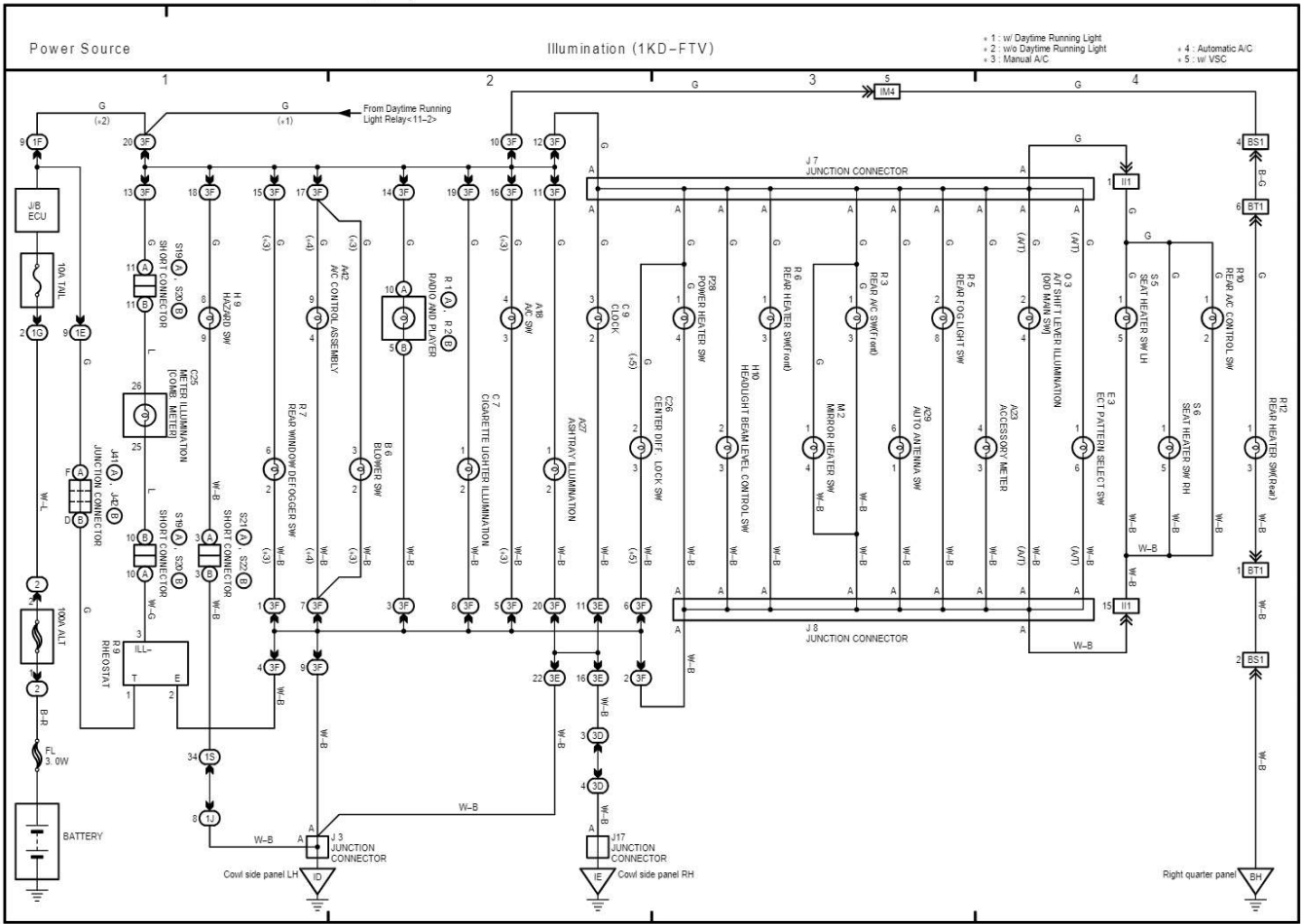
Frame No.	Production Date
---	From August, 2000

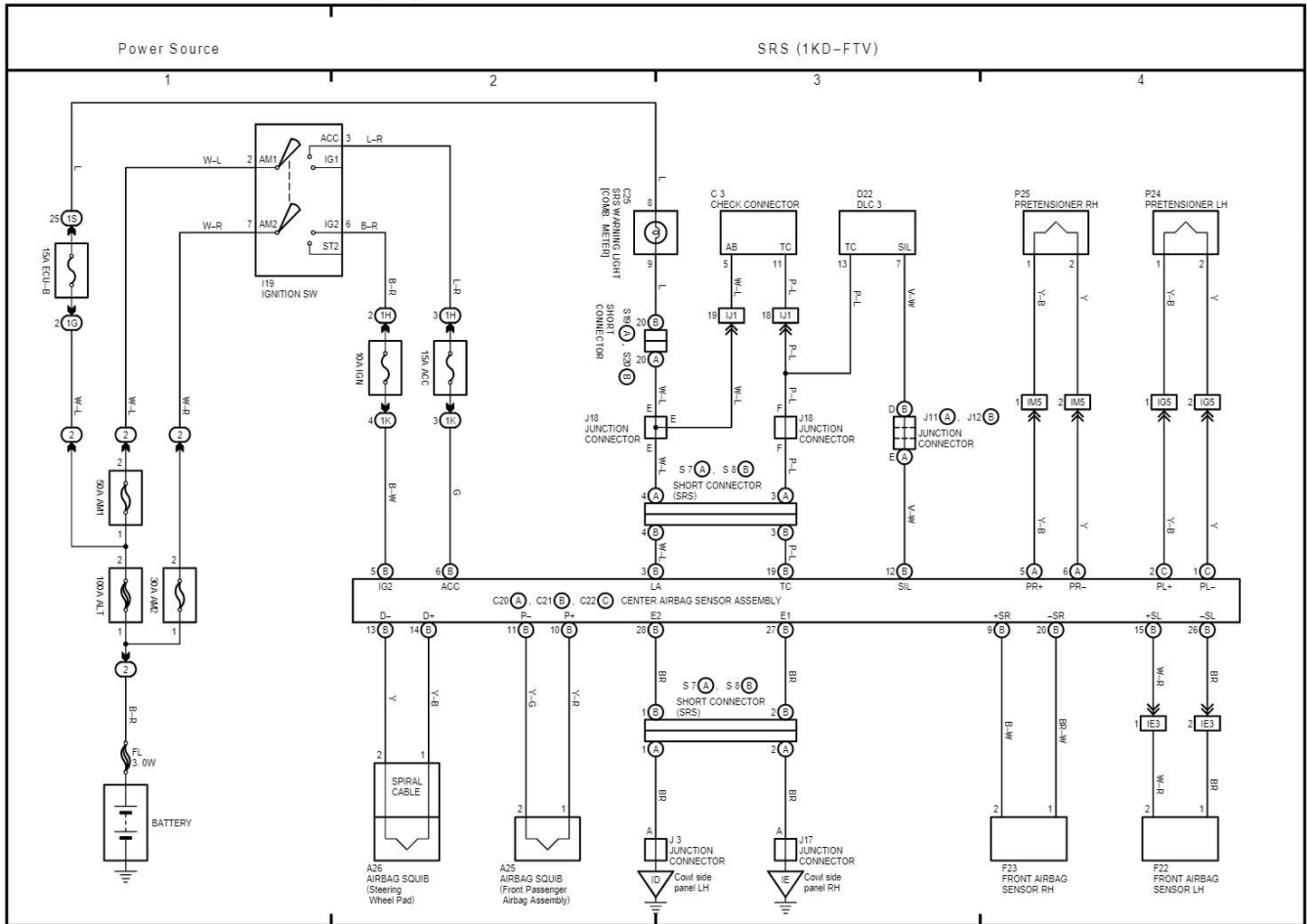
Engine Control (3RZ-FE w/ Engine Immobiliser)



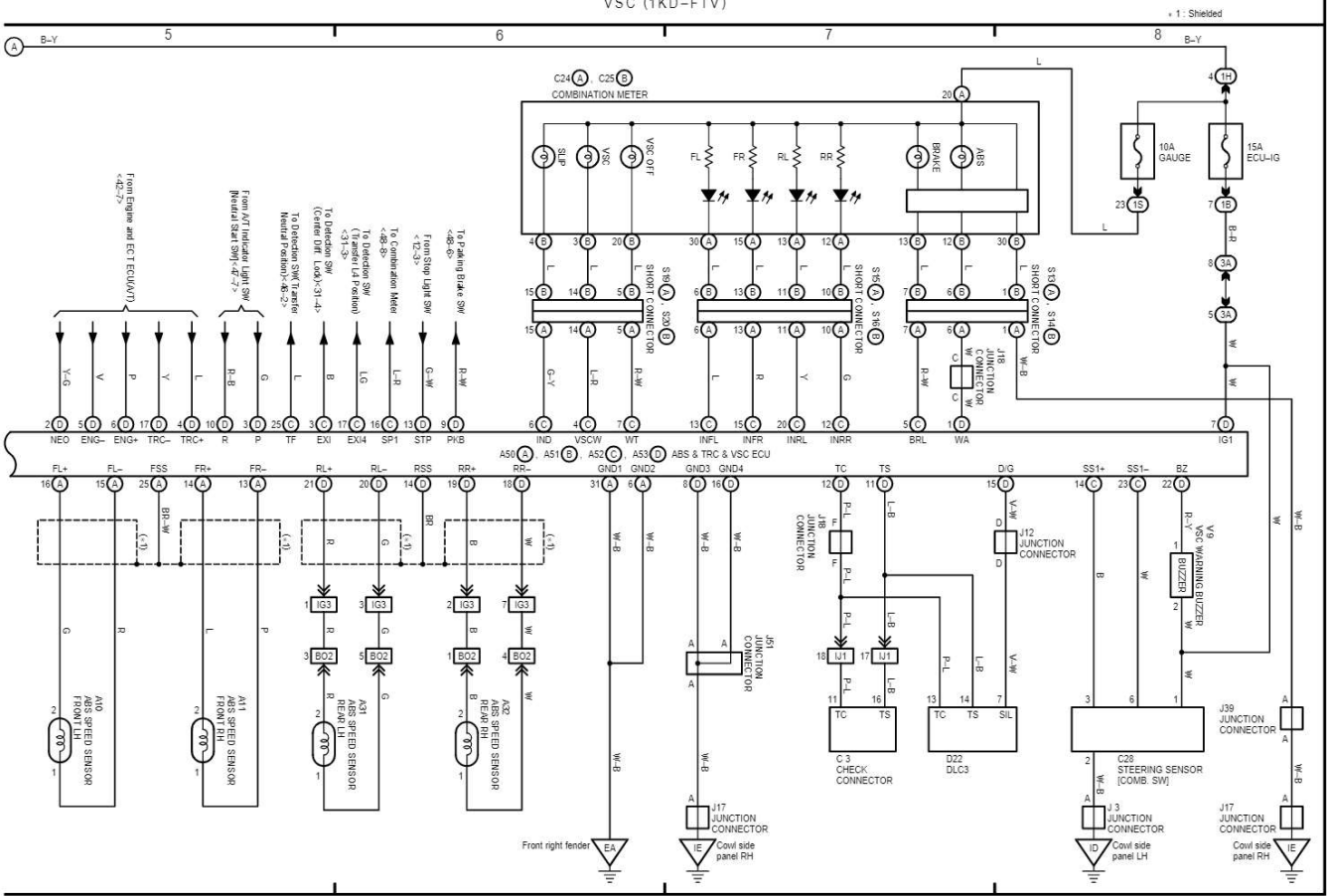
- 4 -





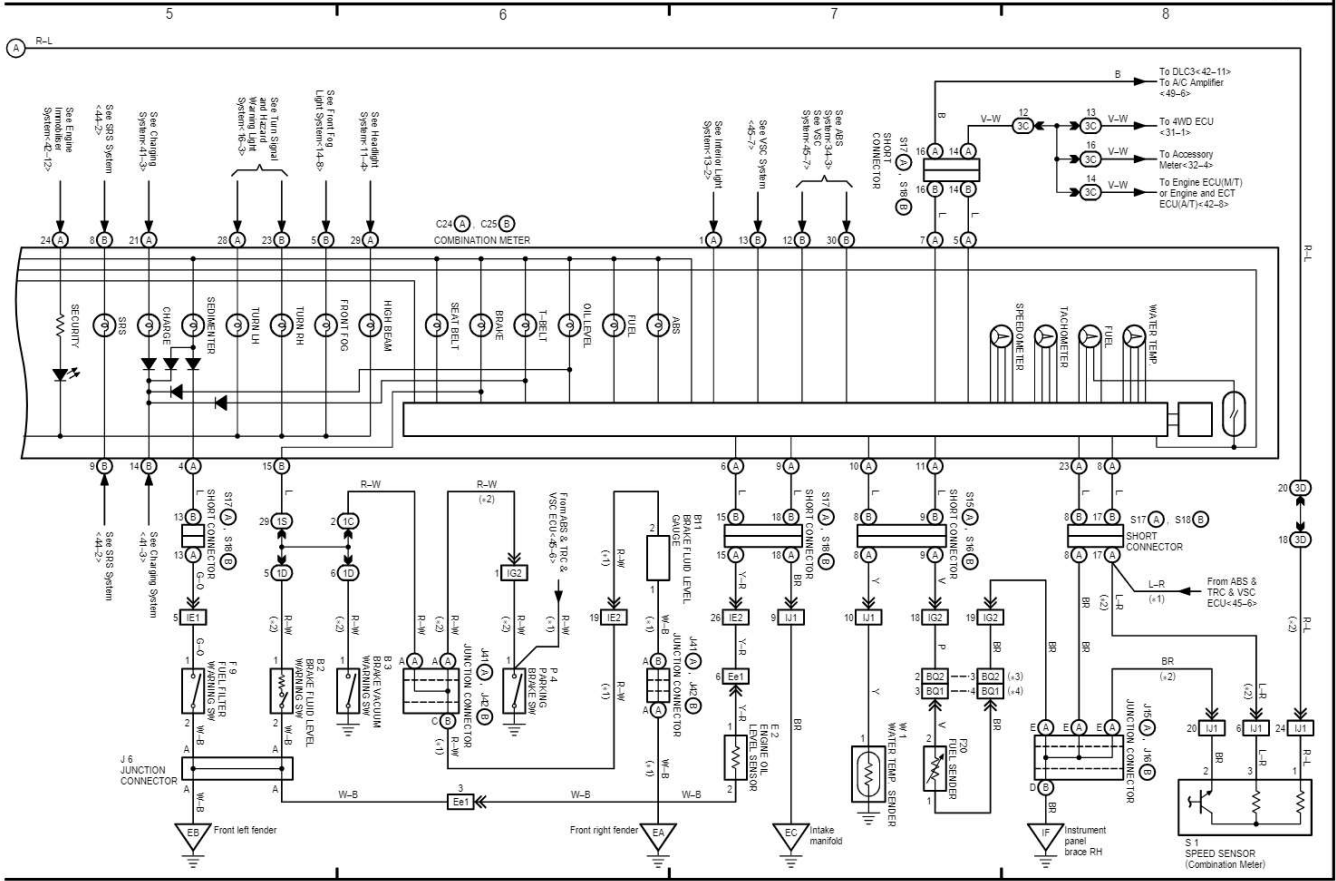


VSC (1KD-FTV)



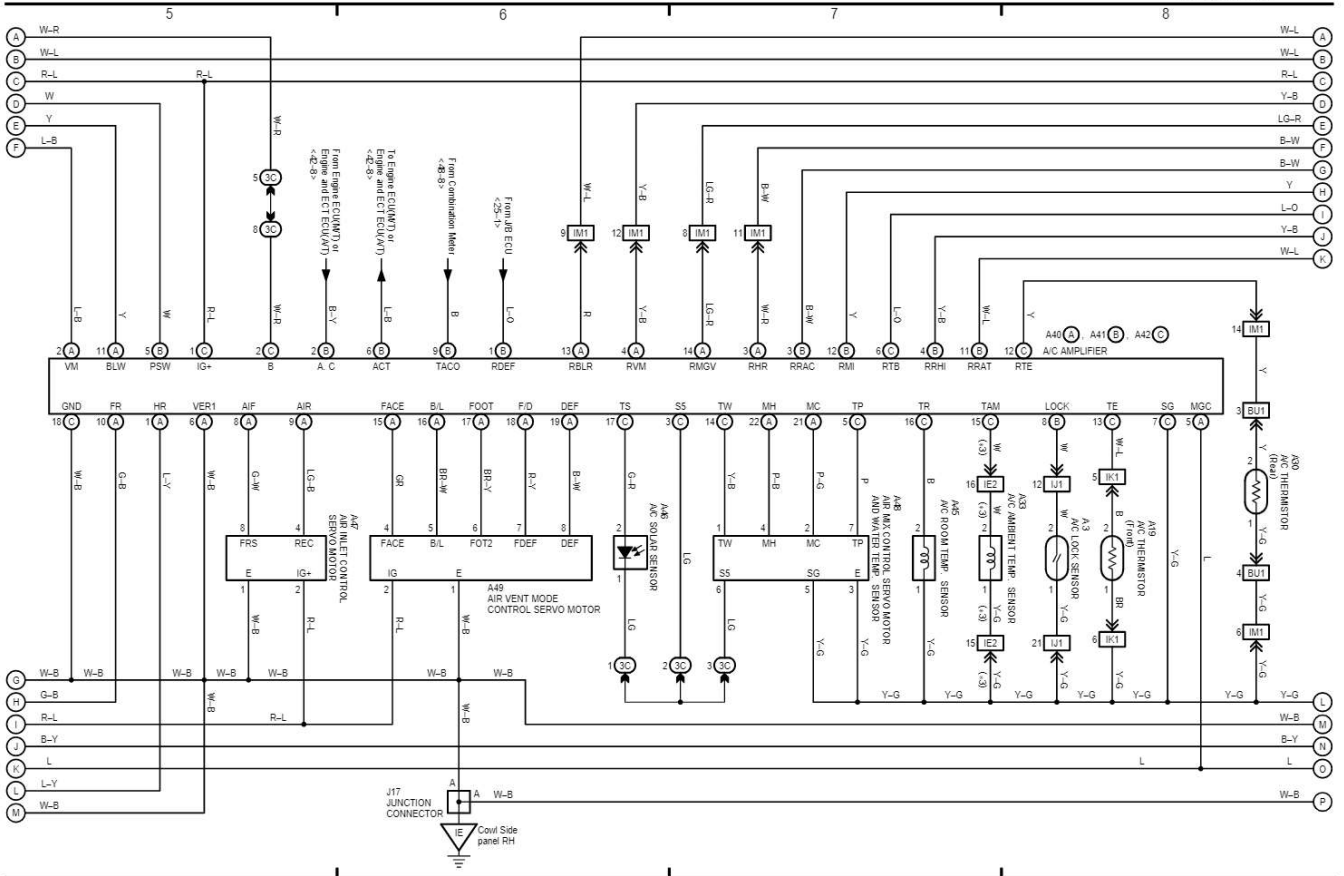
Combination Meter (1KD-FTV)

- . 1 : w VSC
- . 2 : w/o VSC
- . 3 : 3-Door
- . 4 : 5-Door

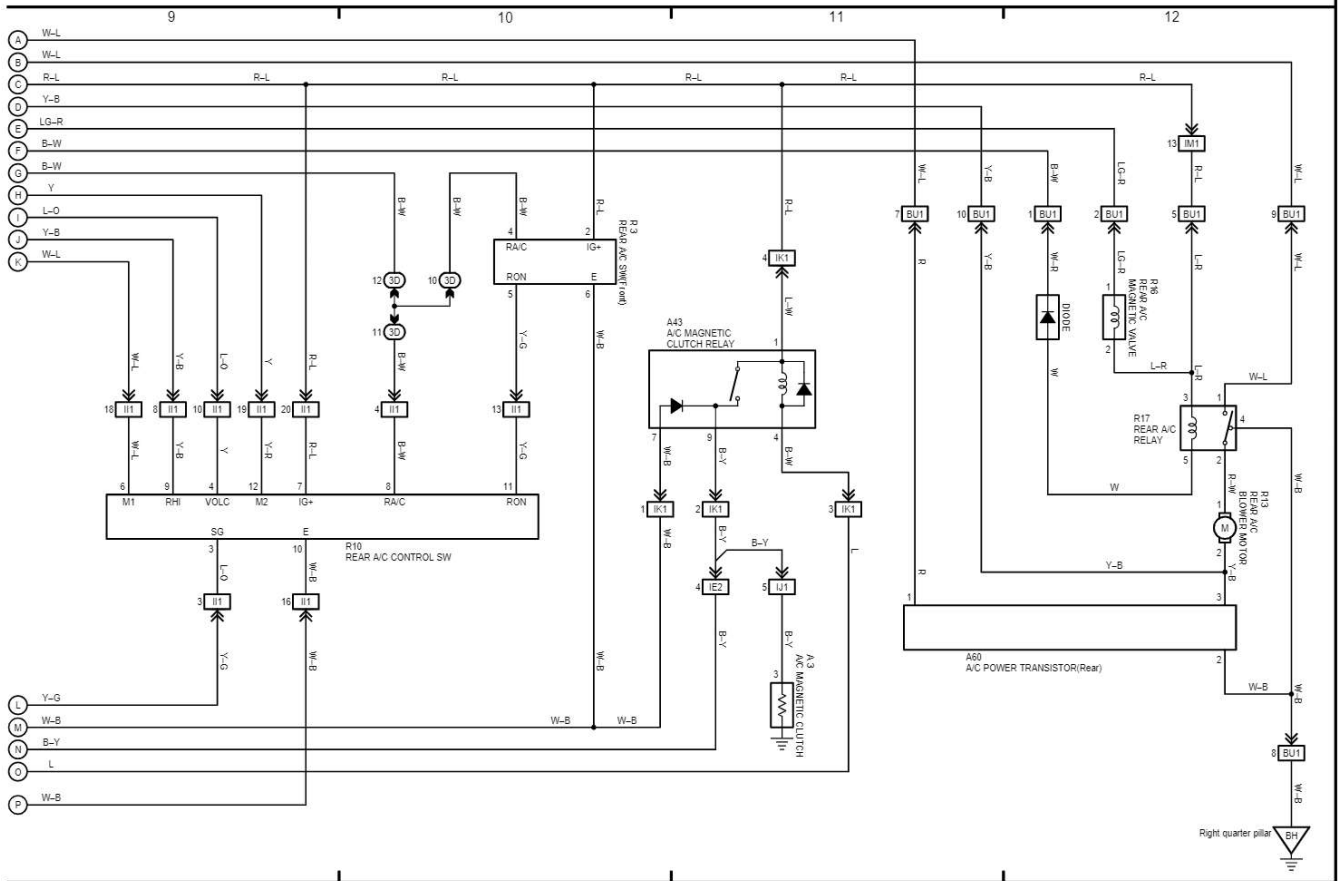


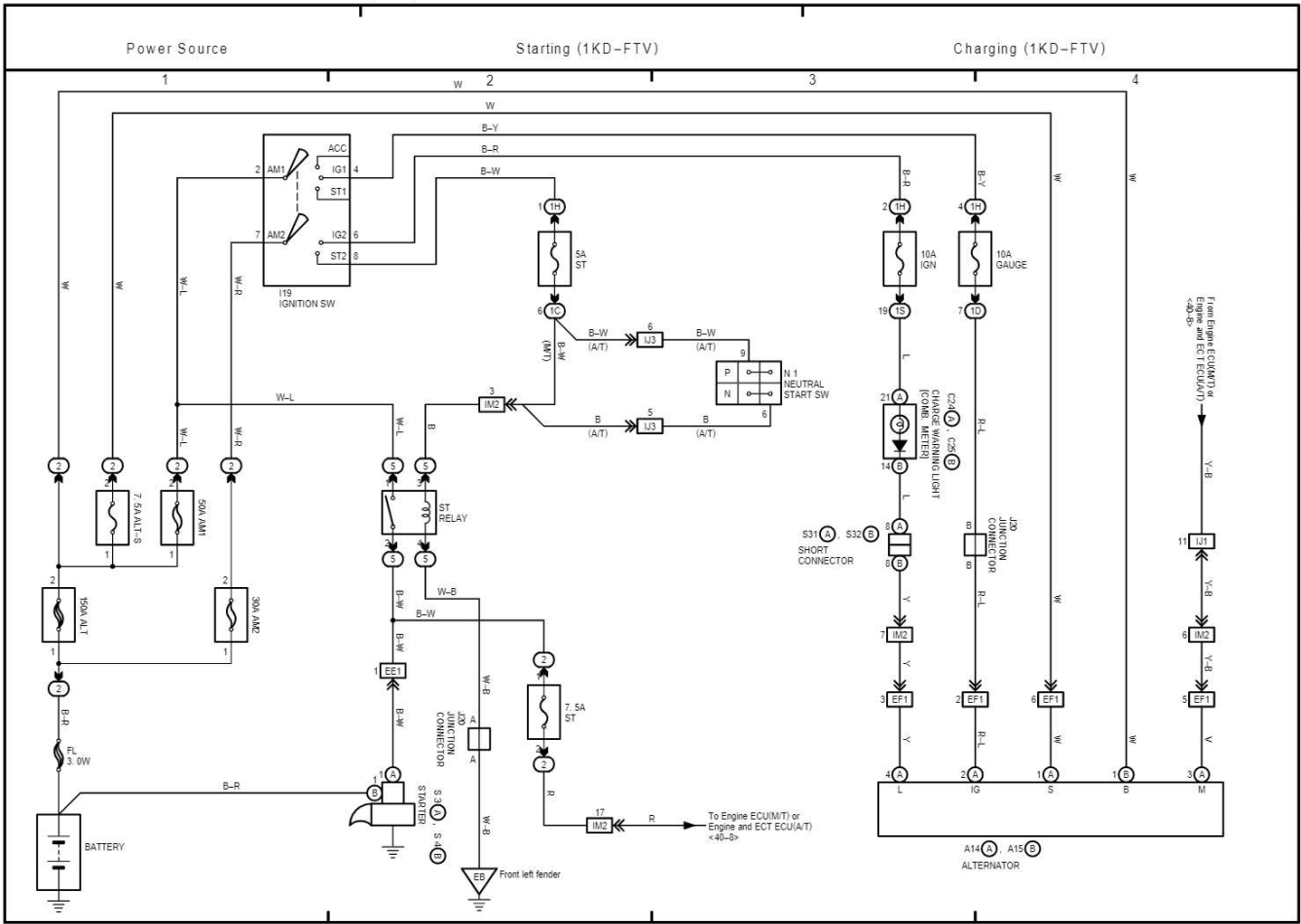
Air Conditioner (Automatic 1KD-FTV)

* 3: w/ ABS or w/ VSC

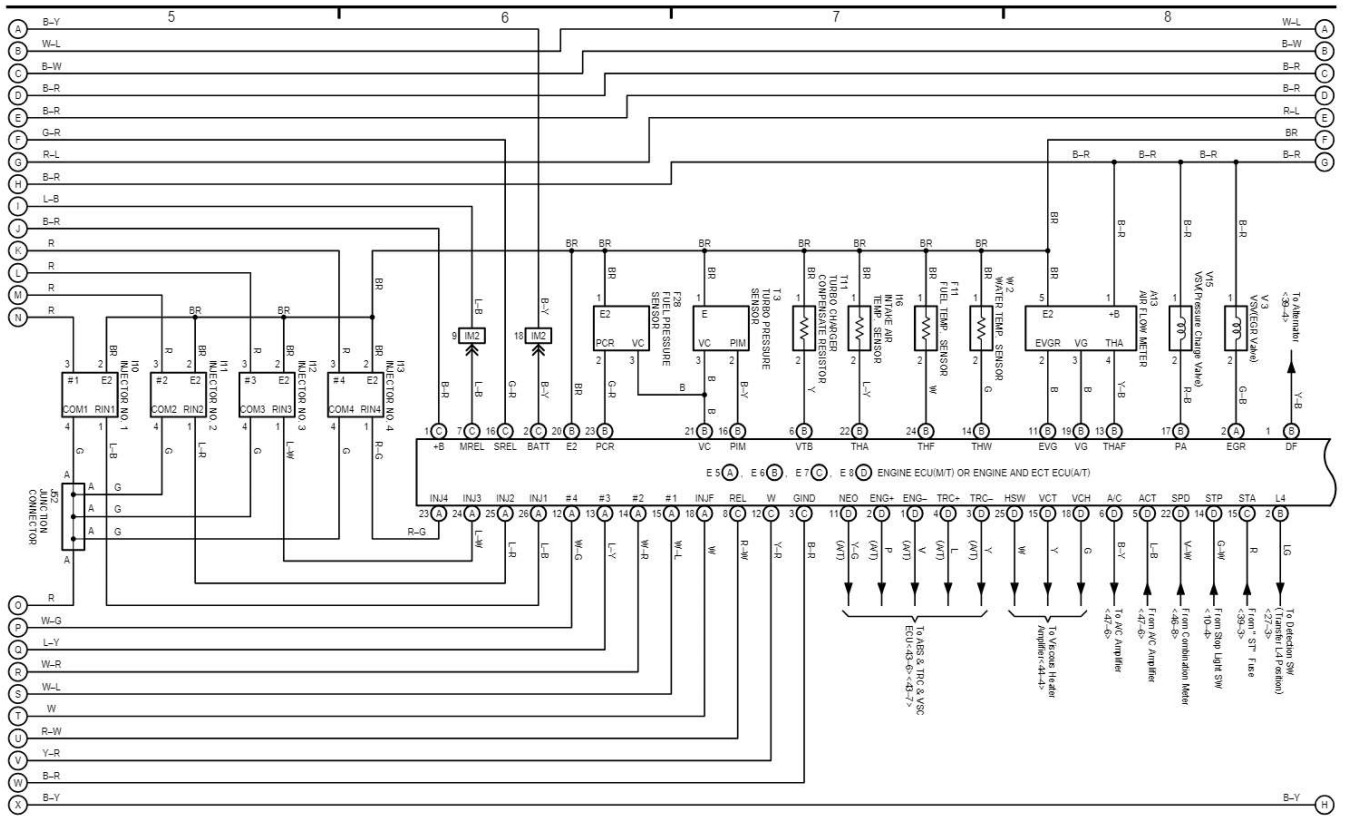


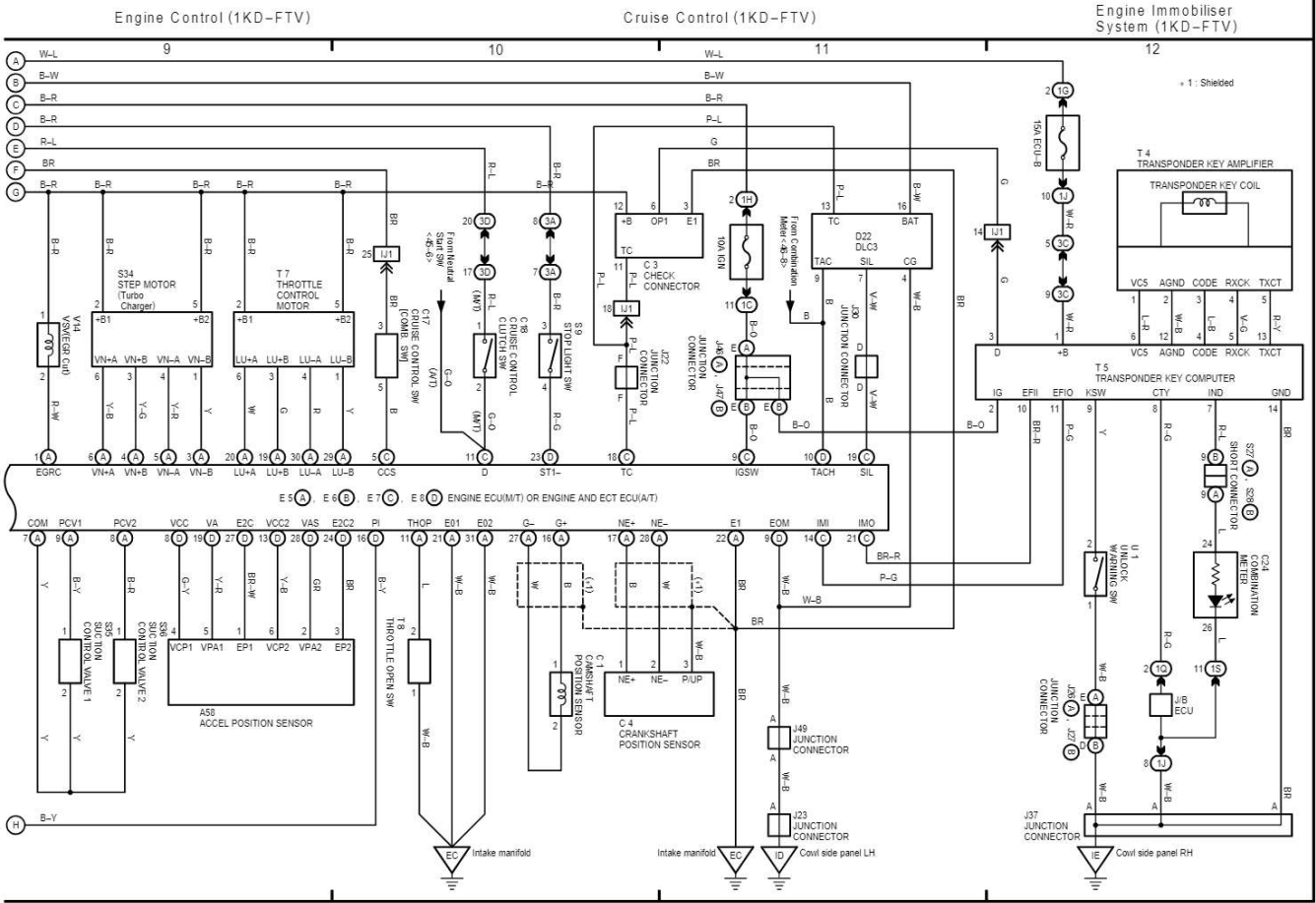
Air Conditioner (Automatic 1KD-FTV)





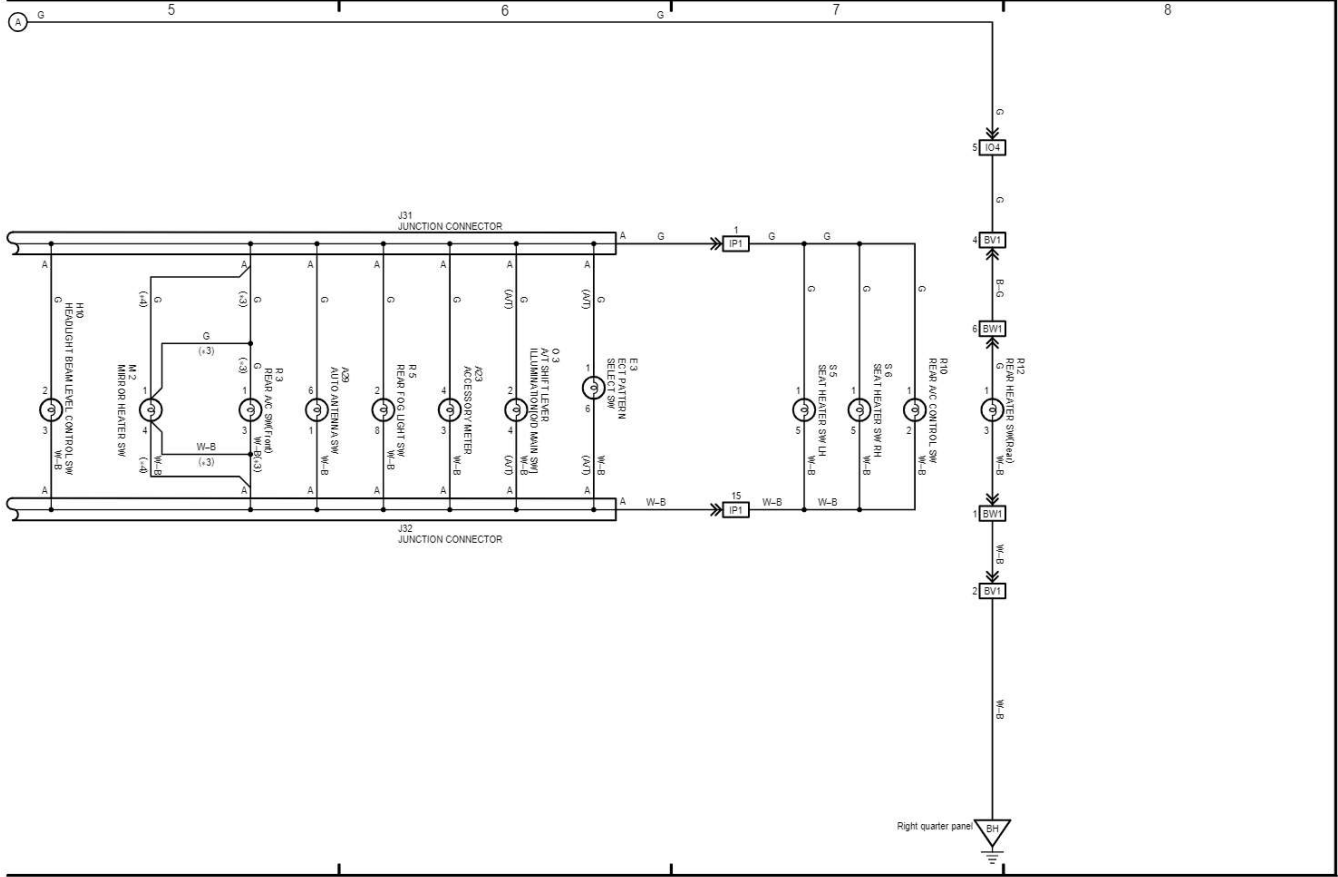
Engine Control (1KD-FTV)

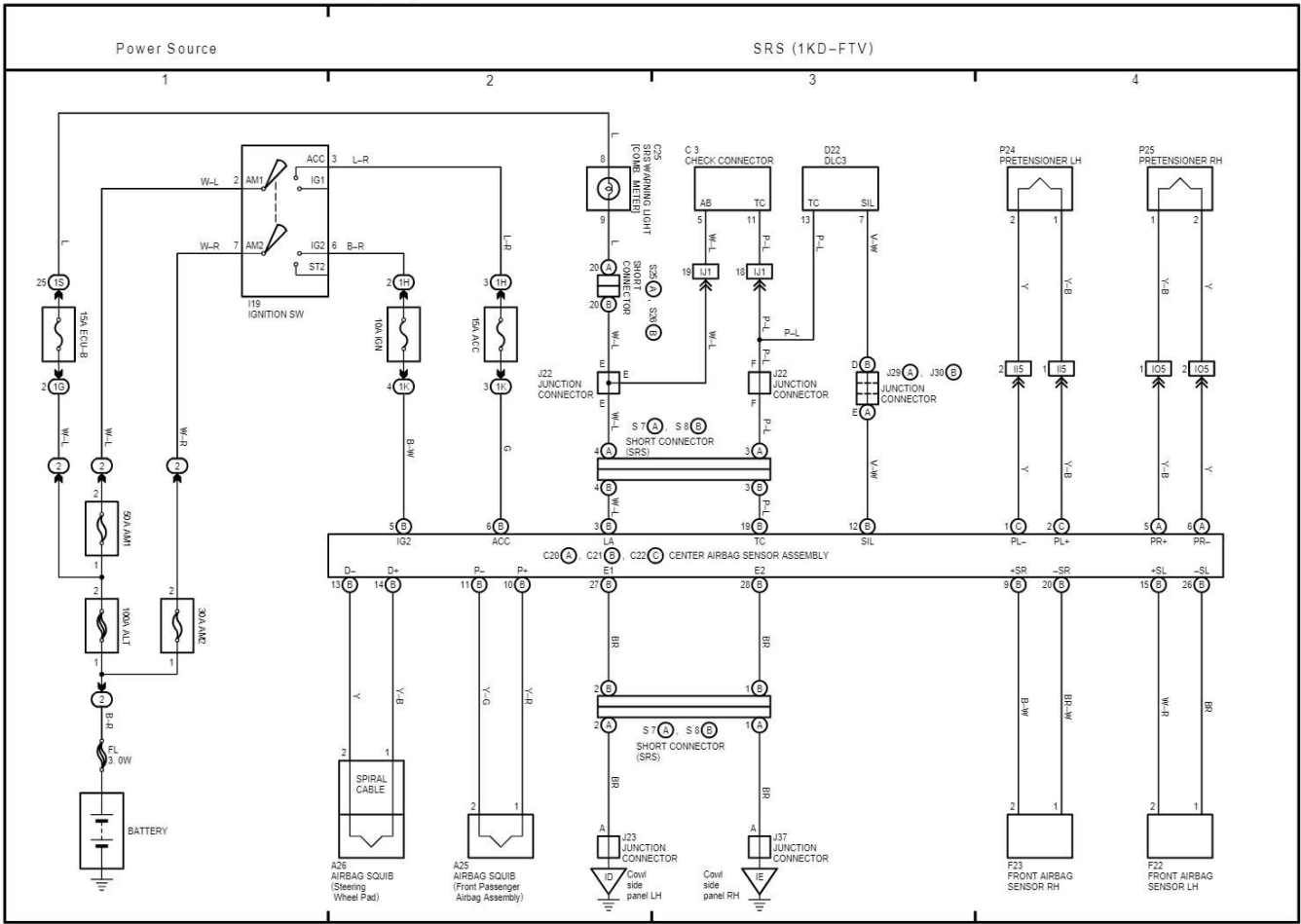


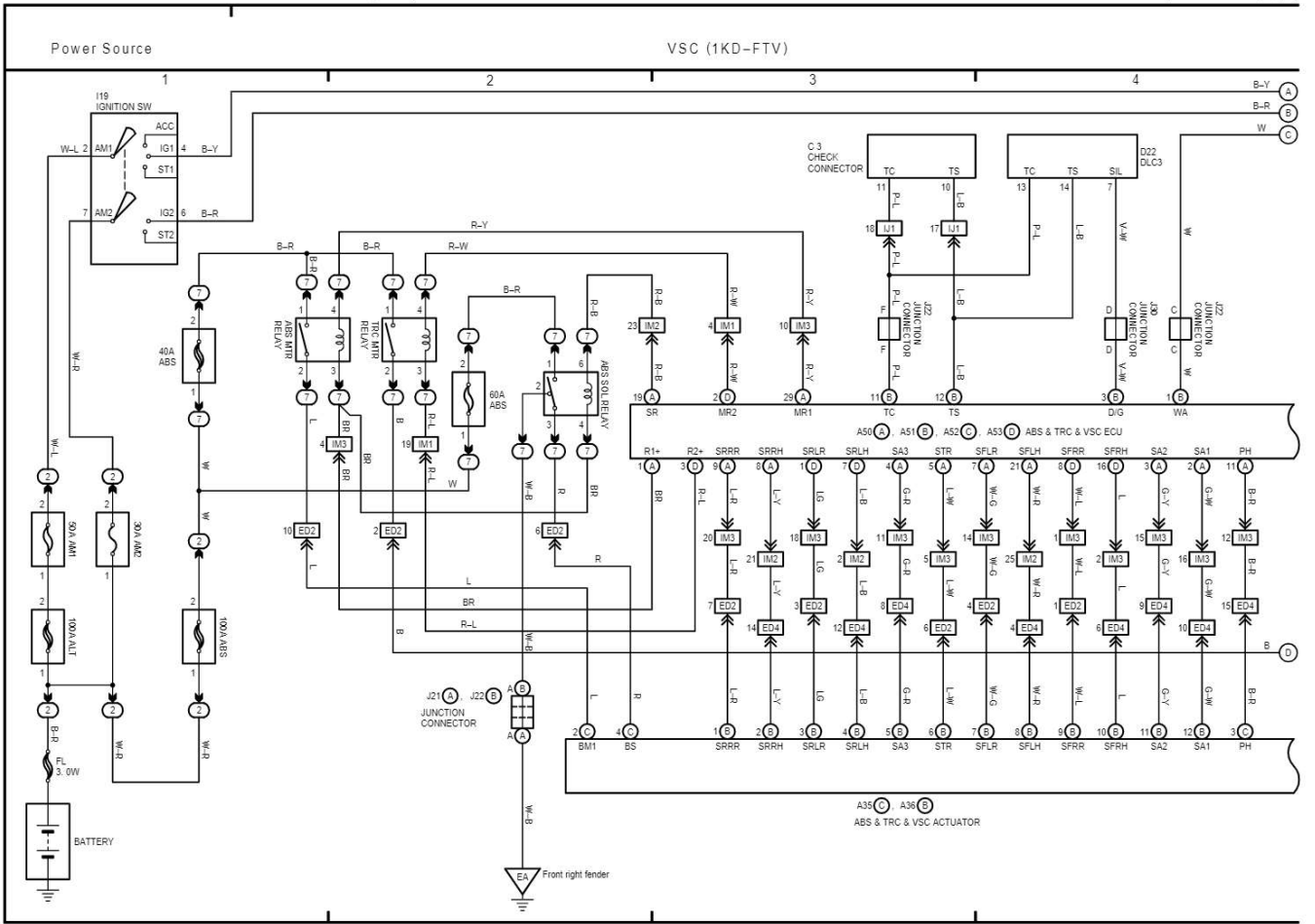


Illumination (1KD-FTV)

+ 3 : w/ Rear A/C
+ 4 : w/o Rear A/C

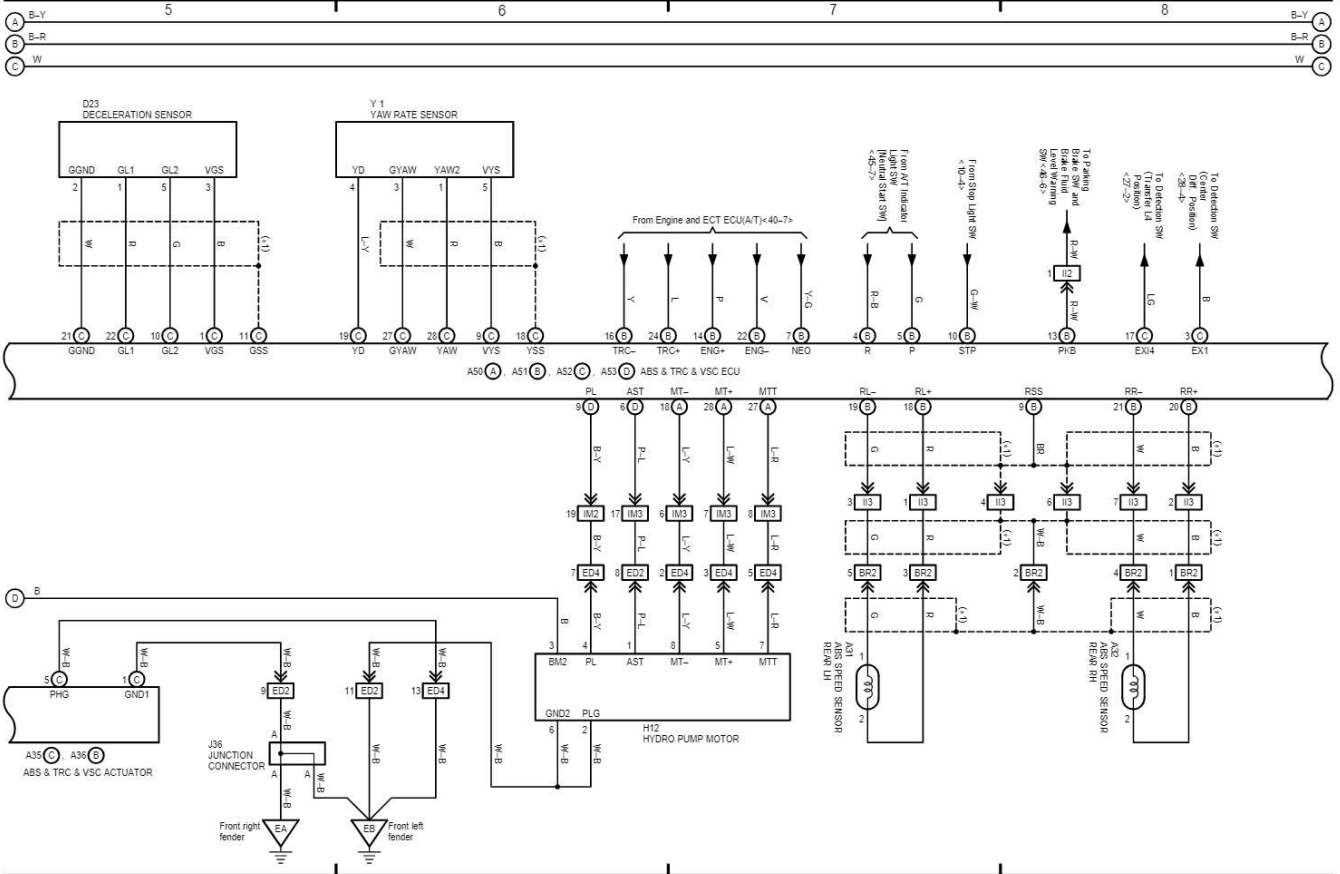






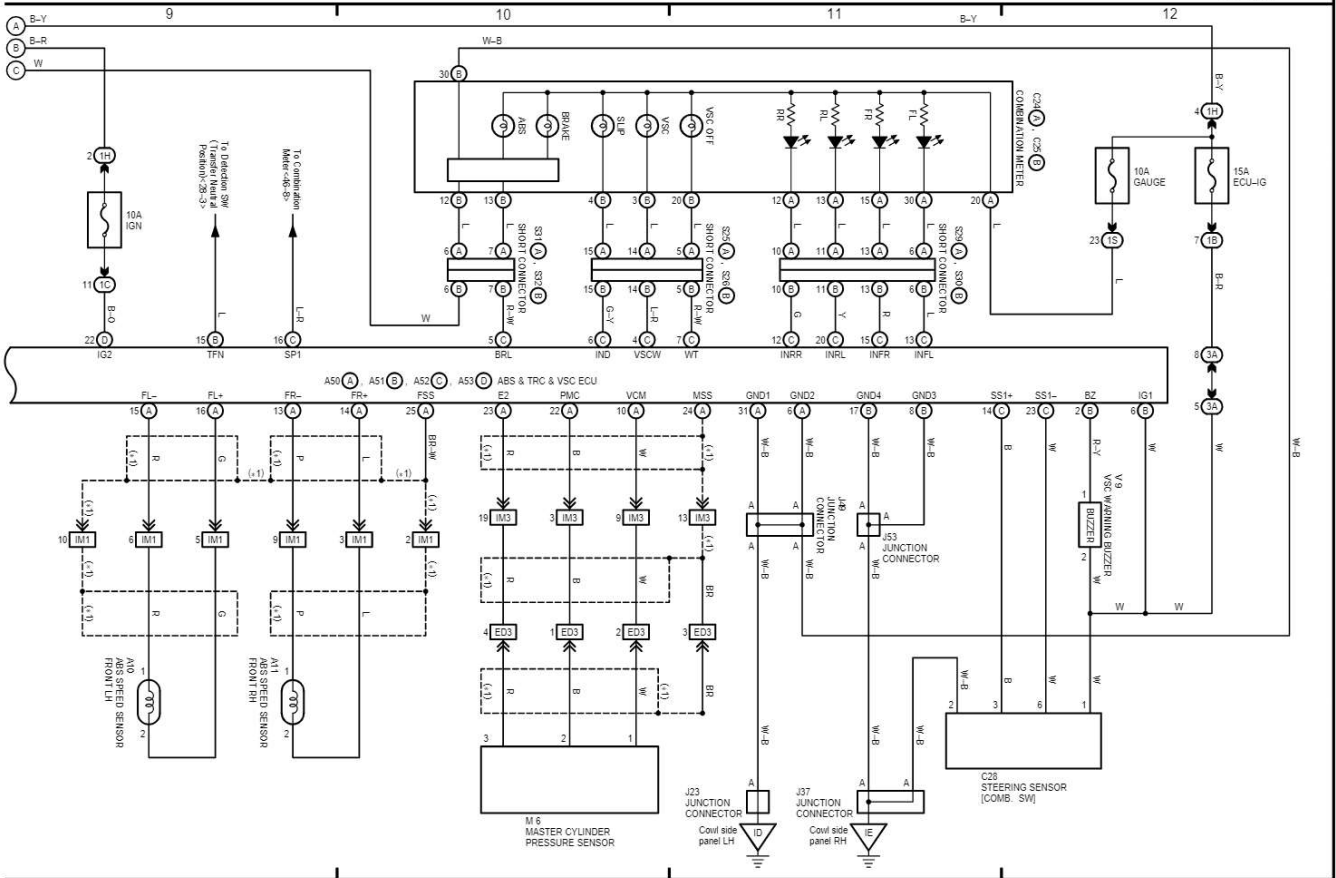
VSC (1KD-FTV)

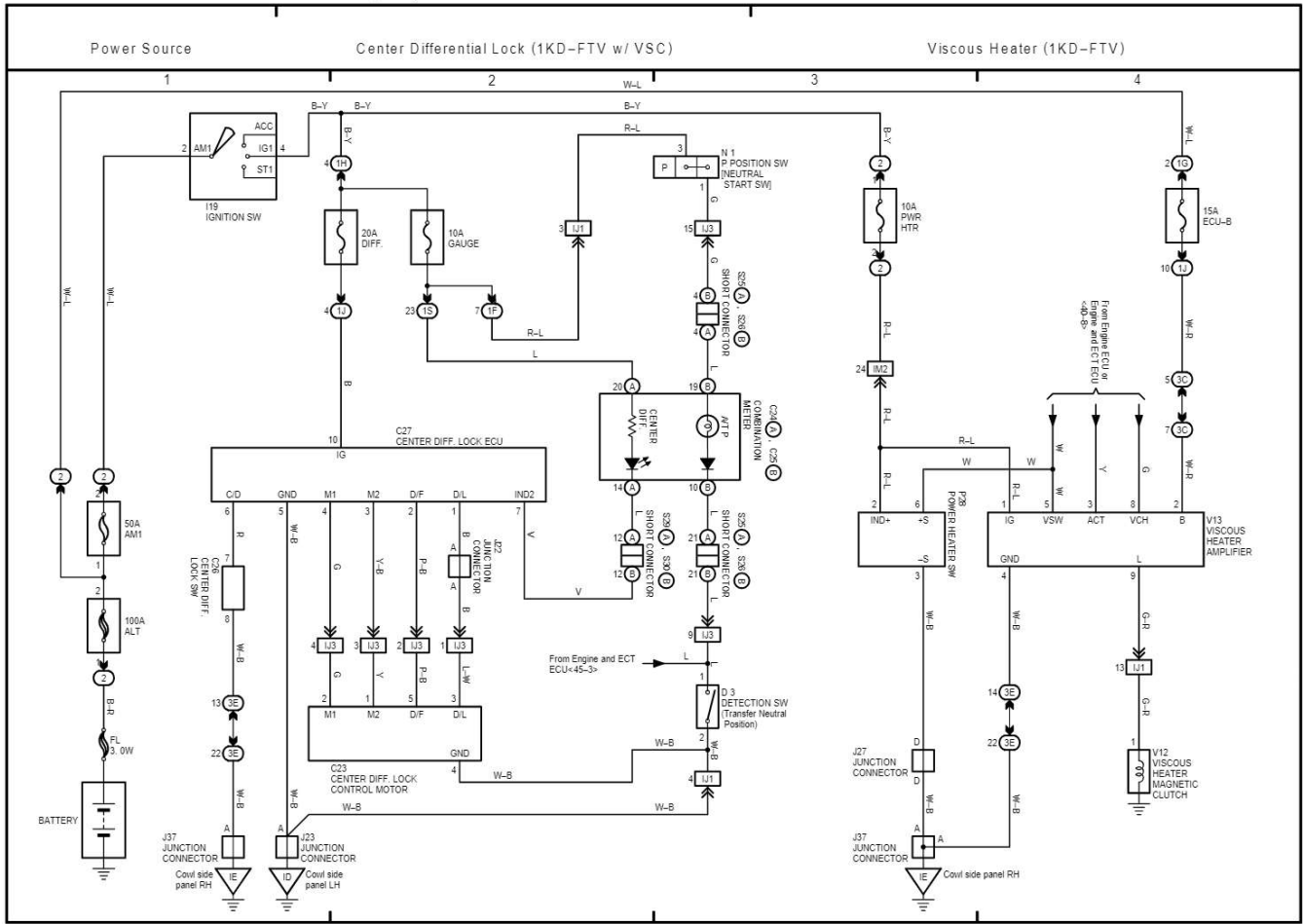
* 1: Shielded

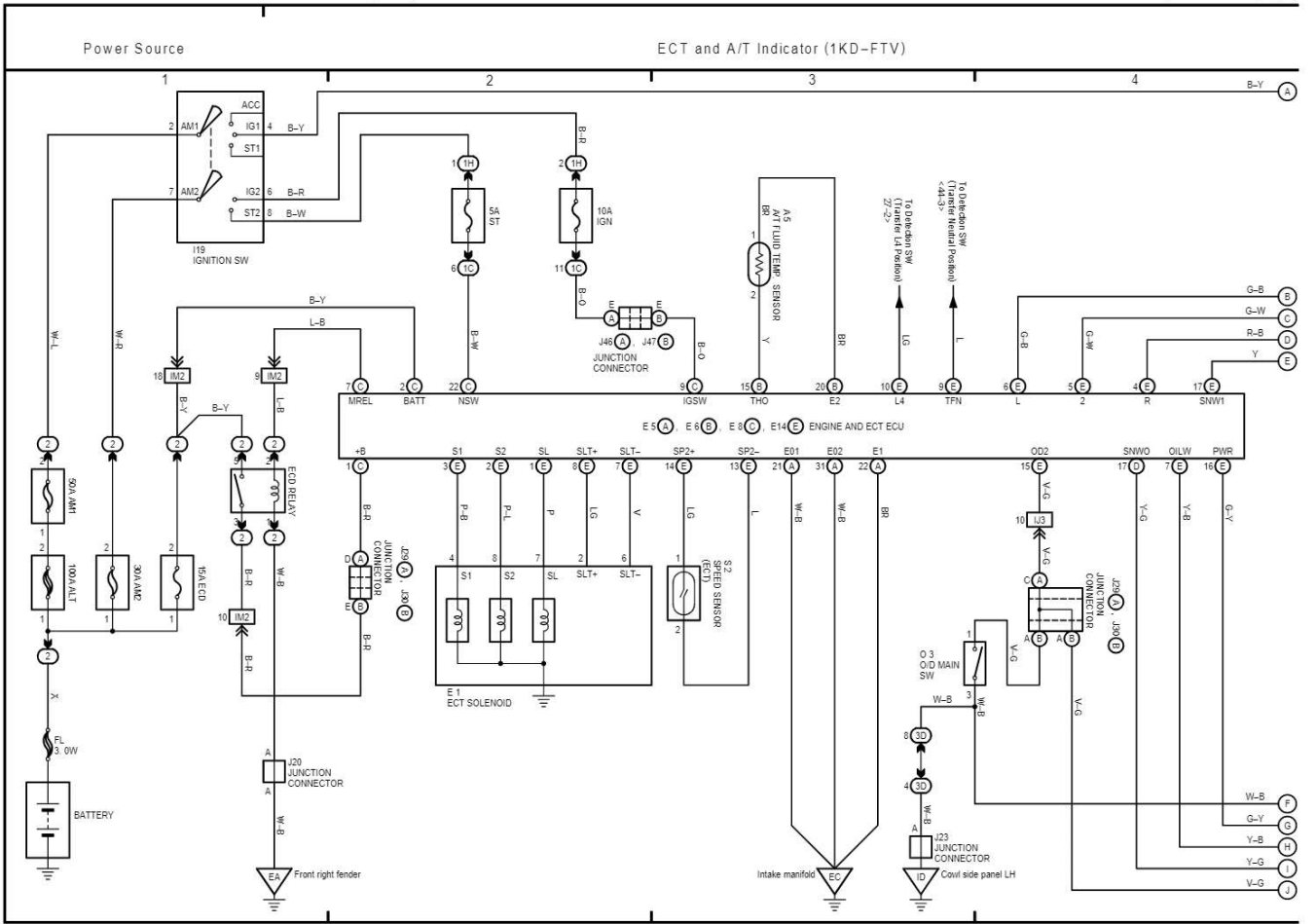


VSC (1KD-FTV)

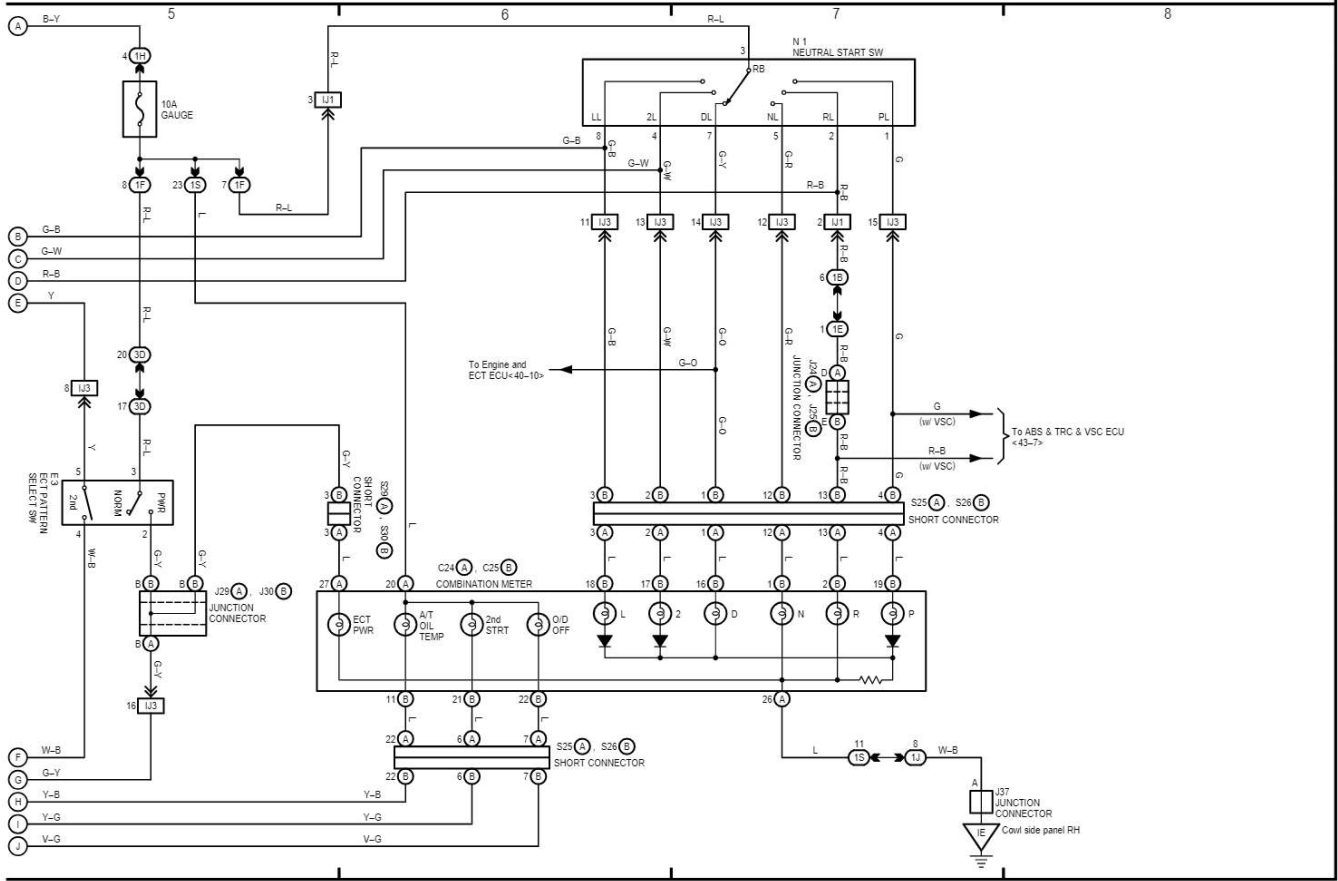
* 1 : Shielded

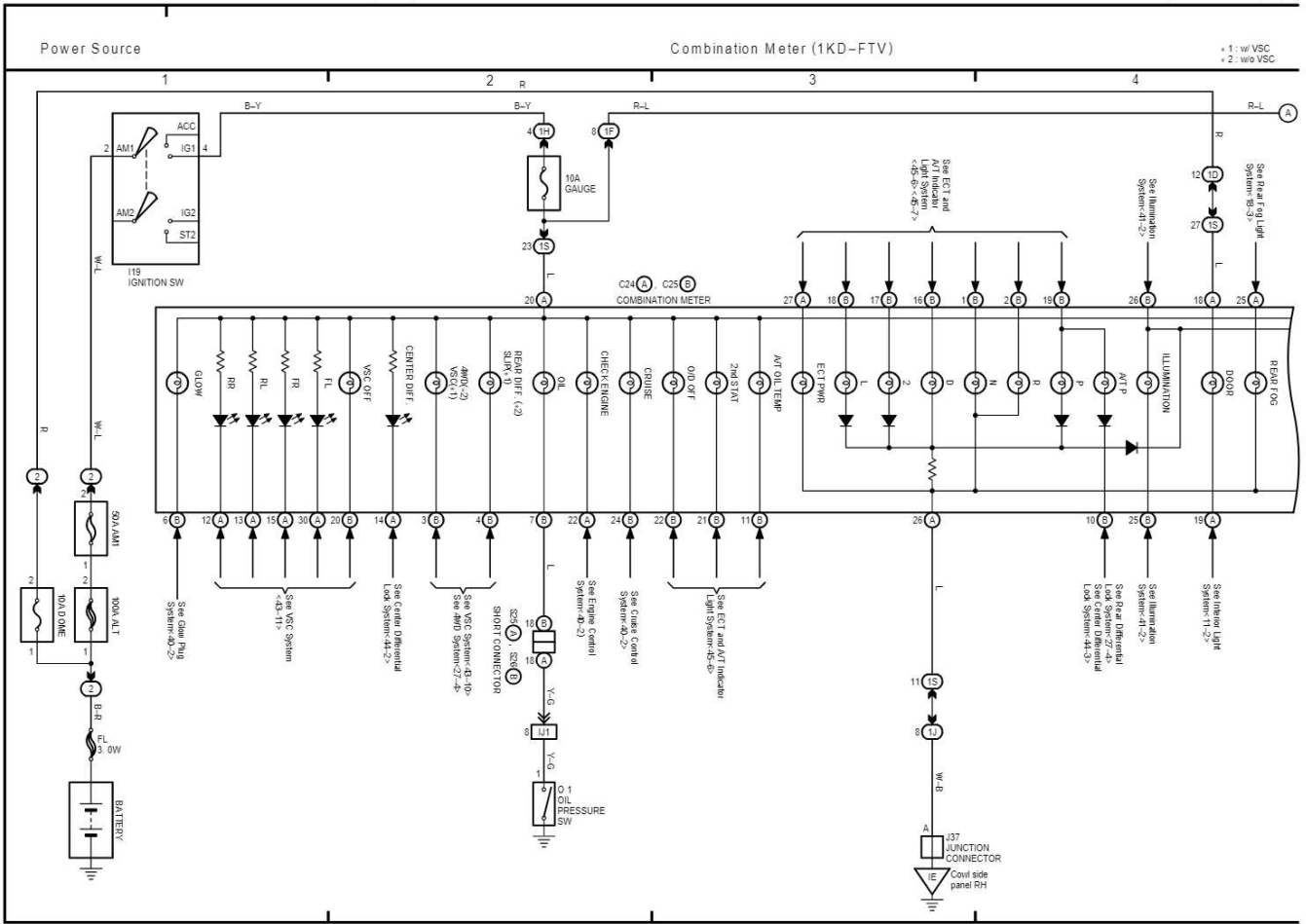






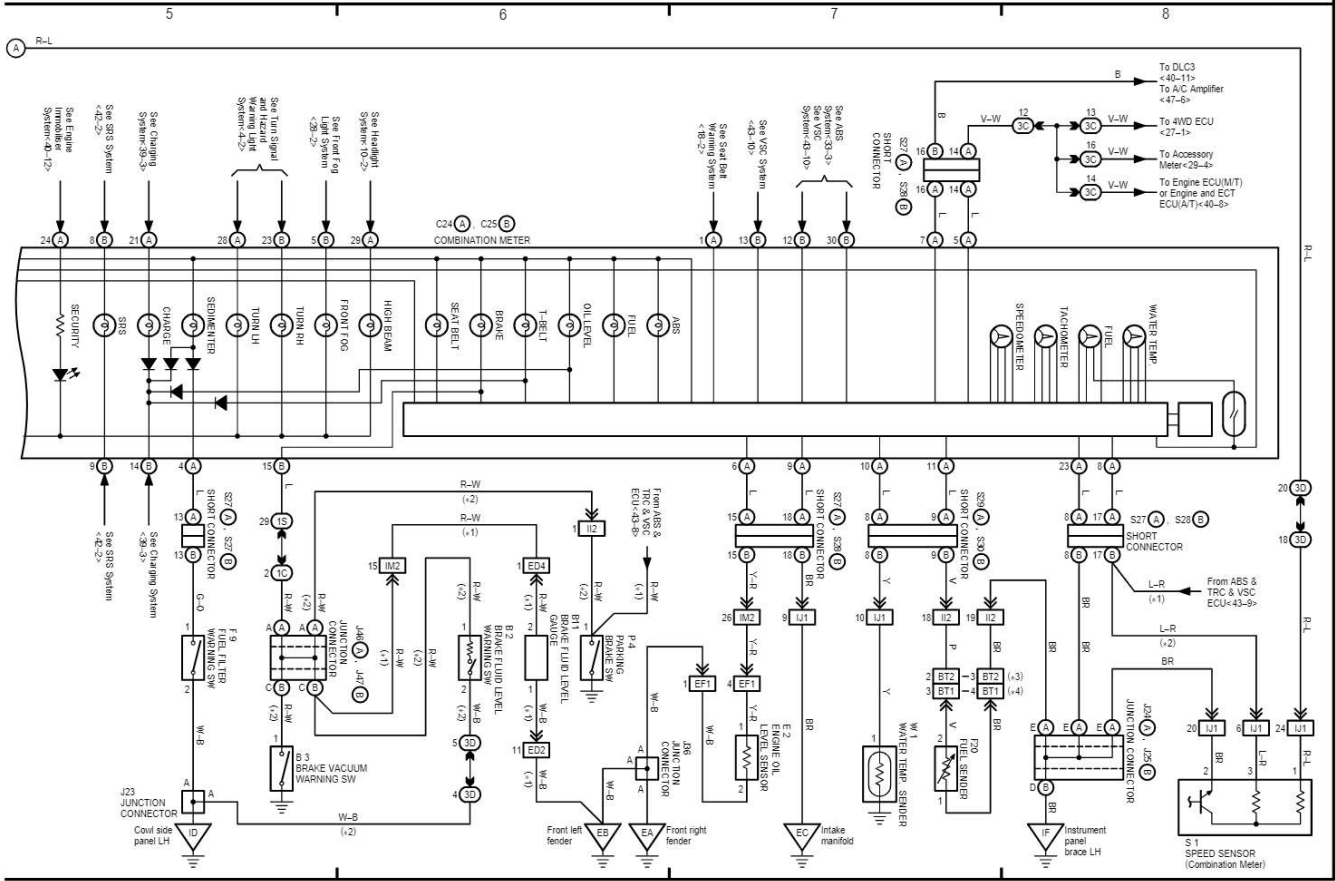
ECT and A/T Indicator (1KD-FTV)

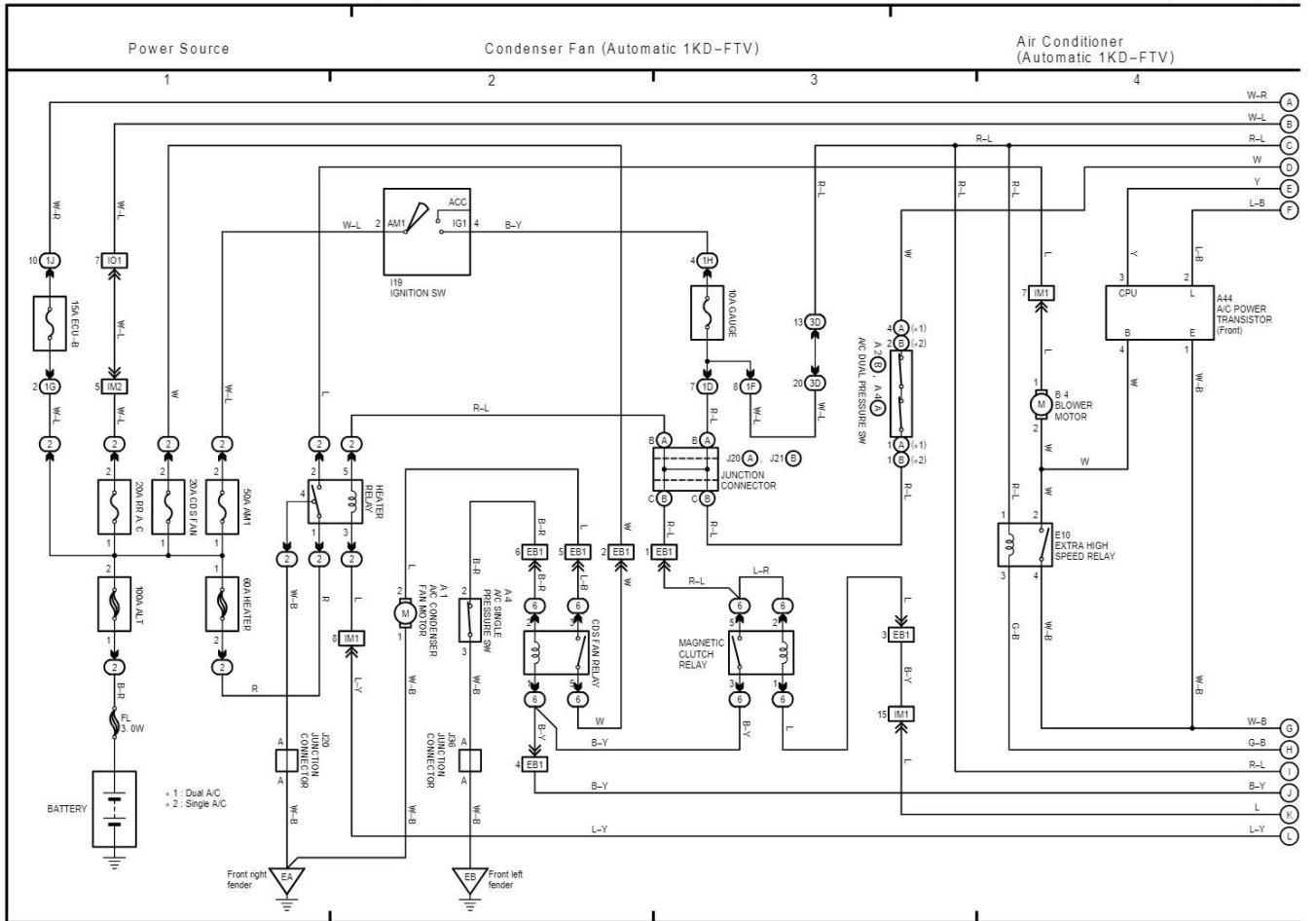




Combination Meter (1KD-FTV)

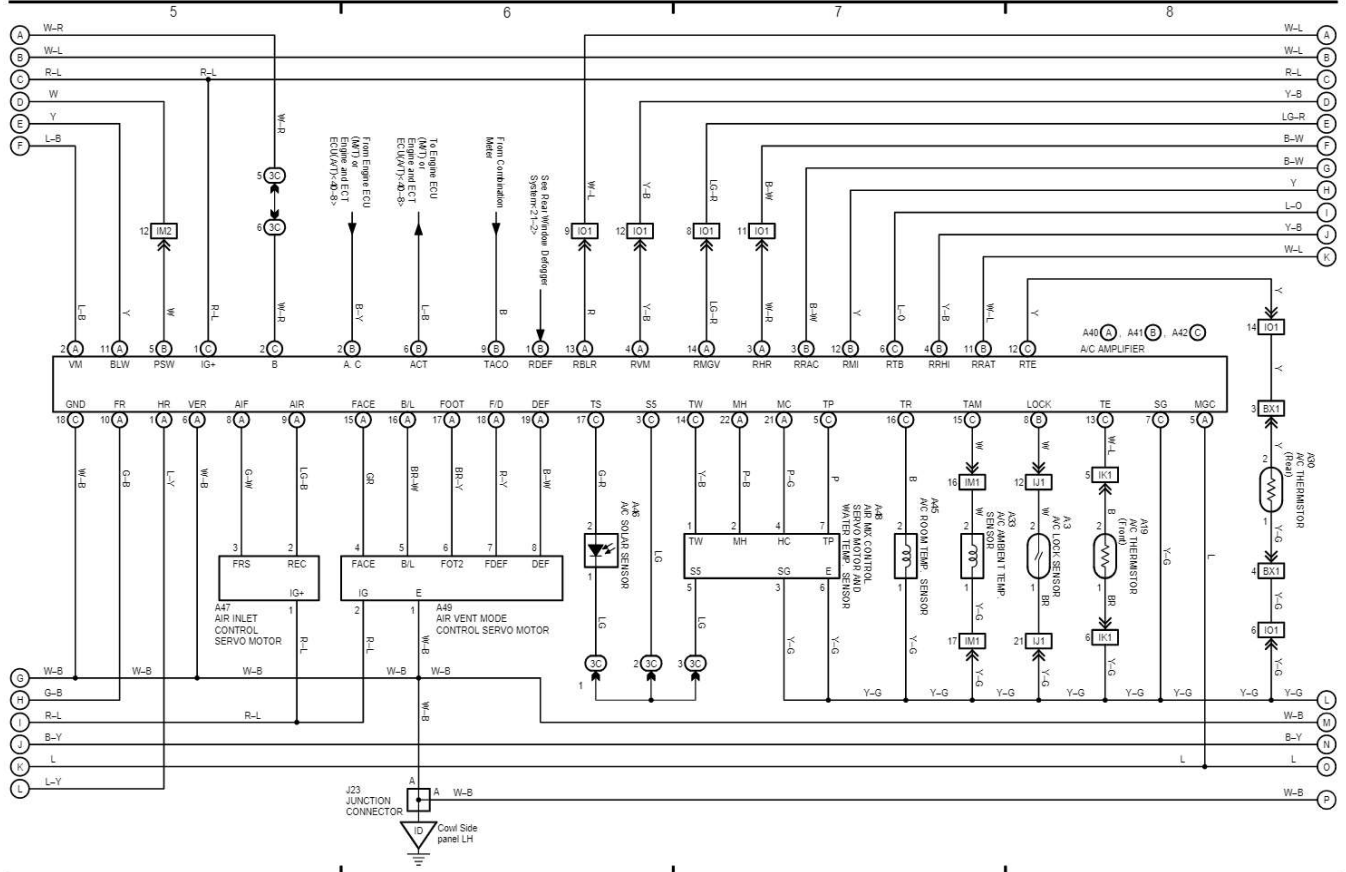
- . 1 : w VSC
- . 2 : w/o VSC
- . 3 : 3-Door
- . 4 : 5-Door



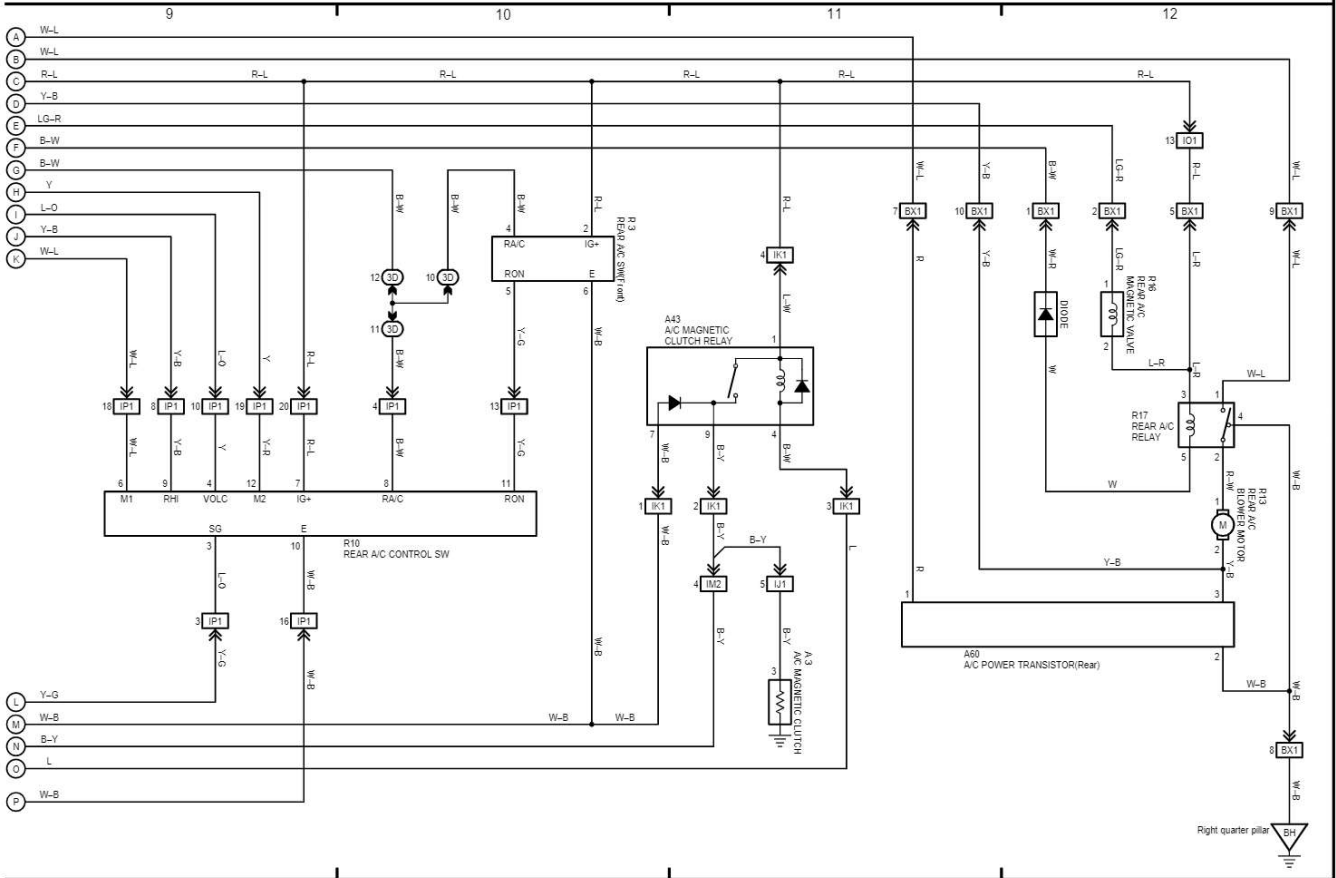


Air Conditioner (Automatic 1KD-FTV)

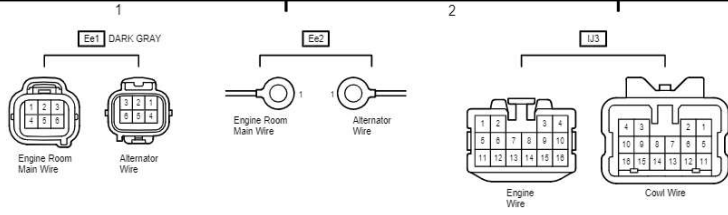
- 35 -



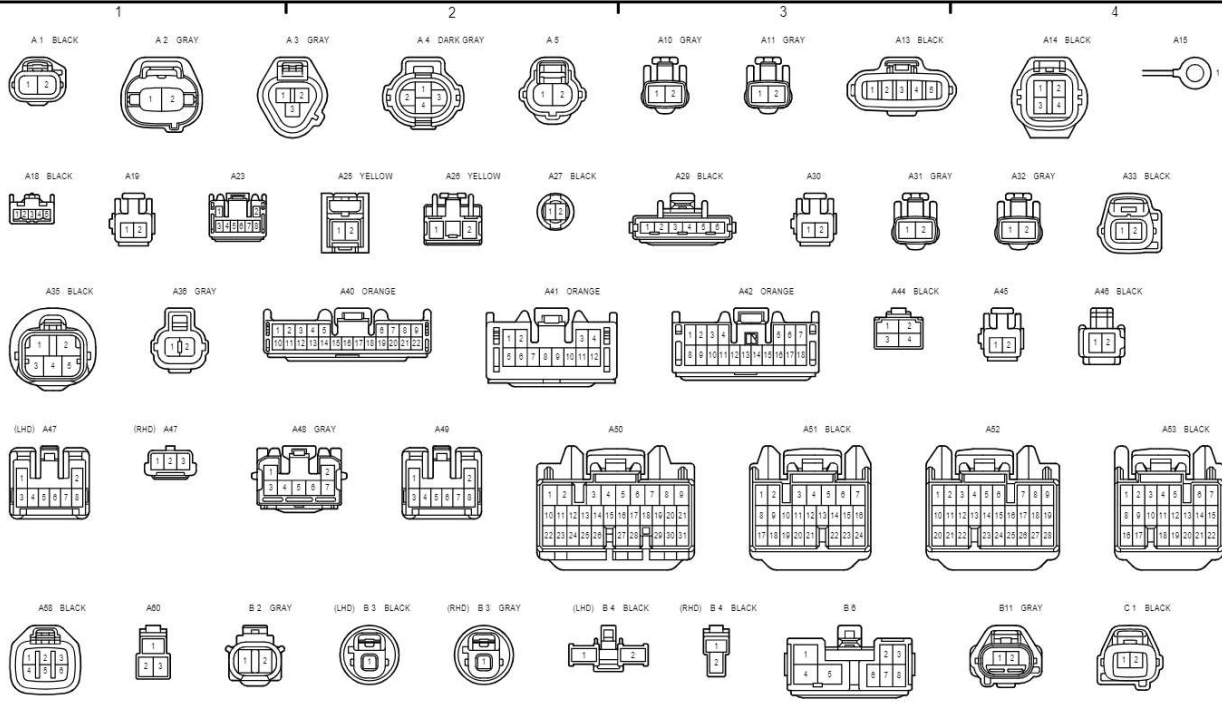
Air Conditioner (Automatic 1KD-FTV)



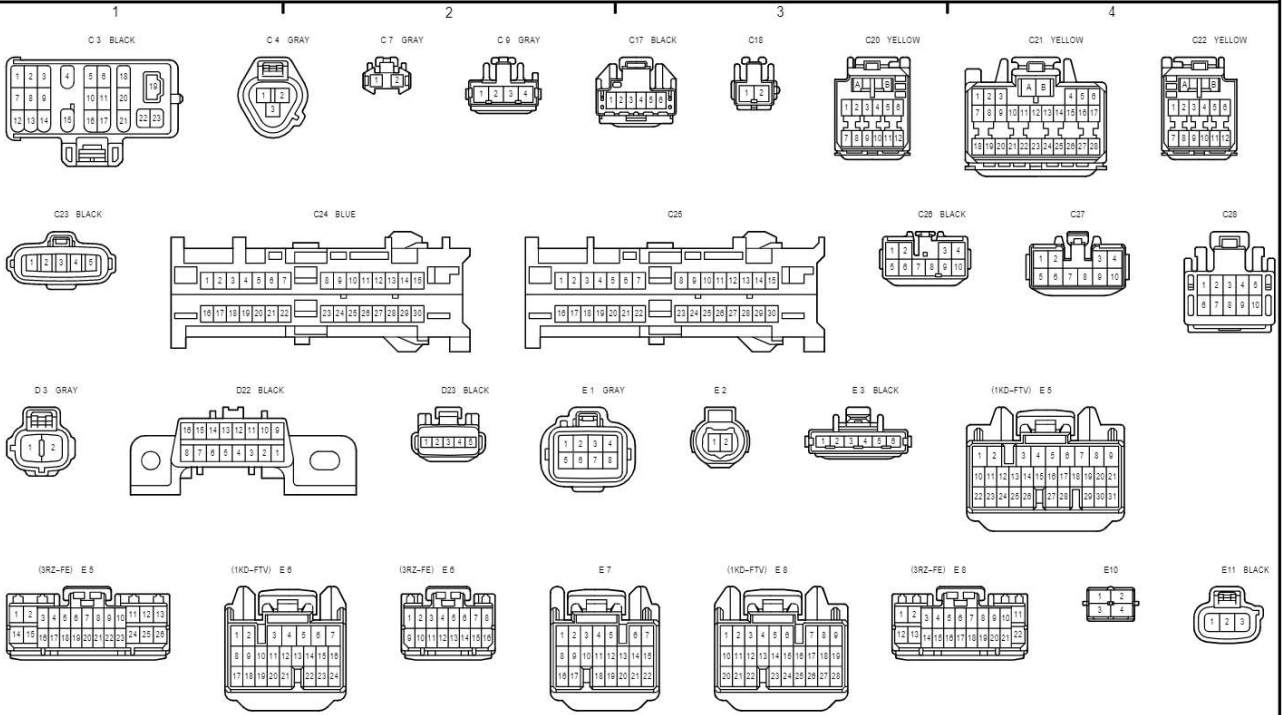
Connector Joining Wire Harness and Wire Harness



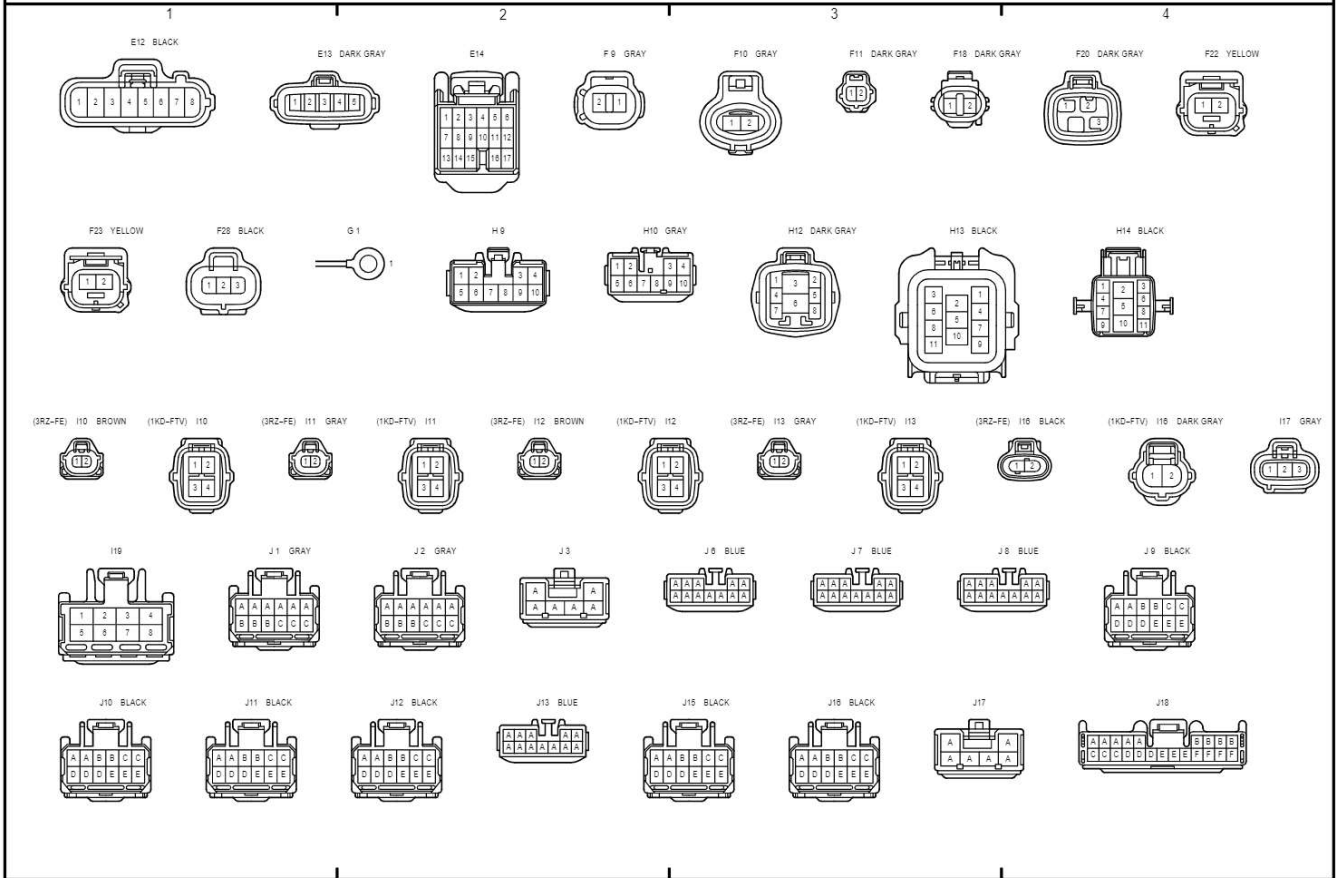
Connector List



Connector List



Connector List



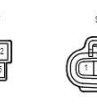
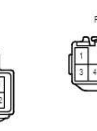
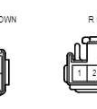
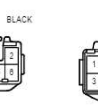
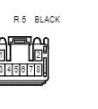
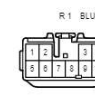
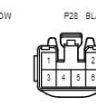
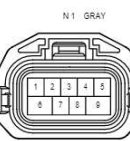
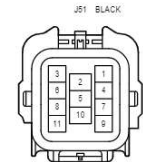
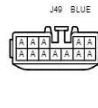
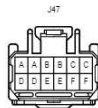
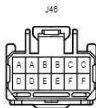
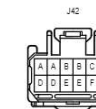
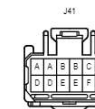
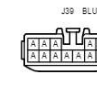
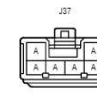
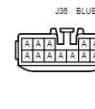
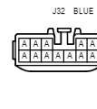
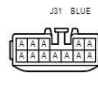
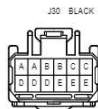
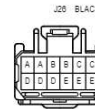
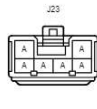
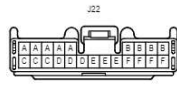
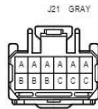
Connector List

1

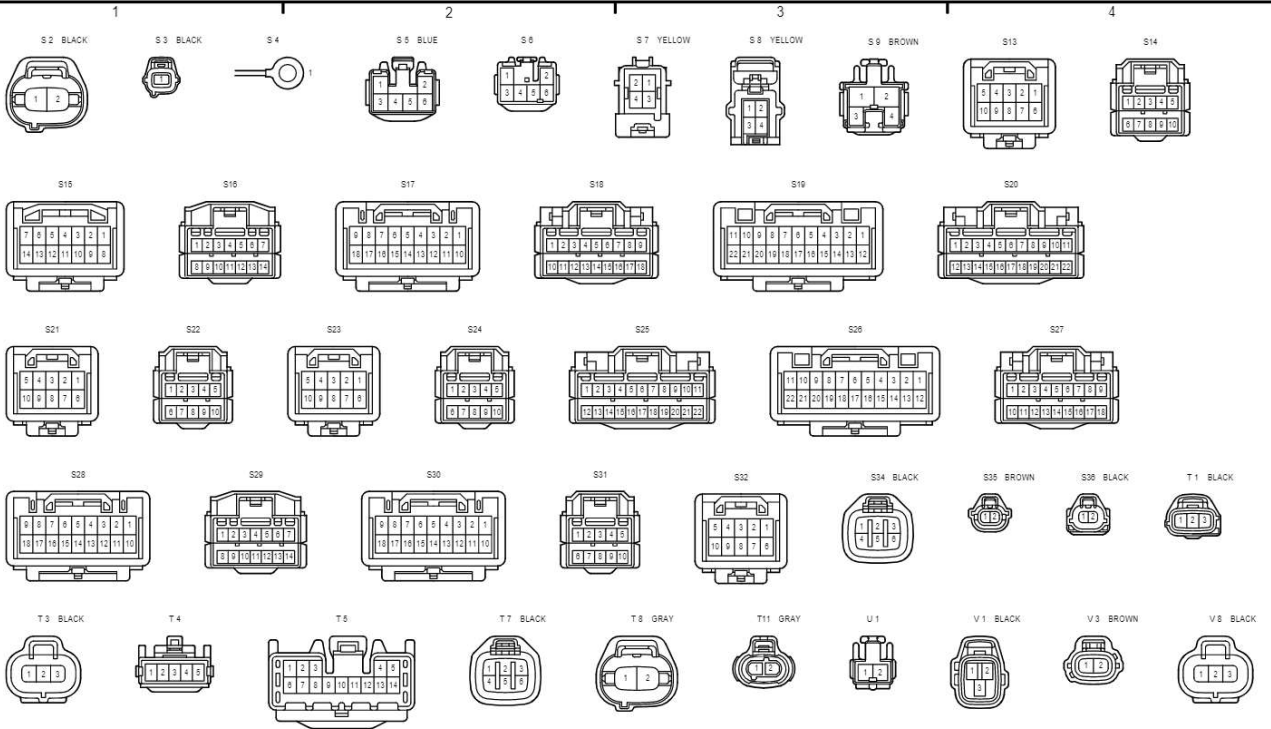
2

3

4



Connector List



Connector List

