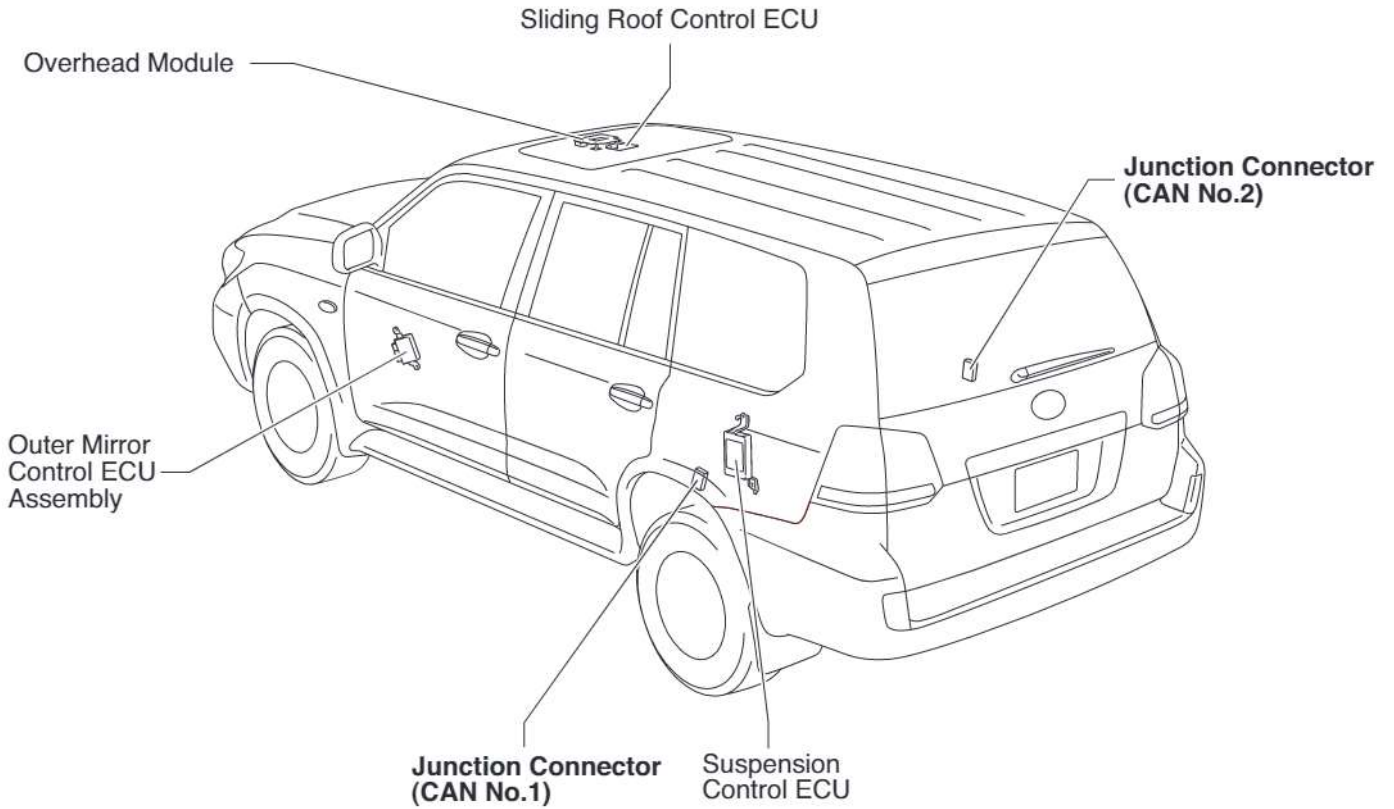
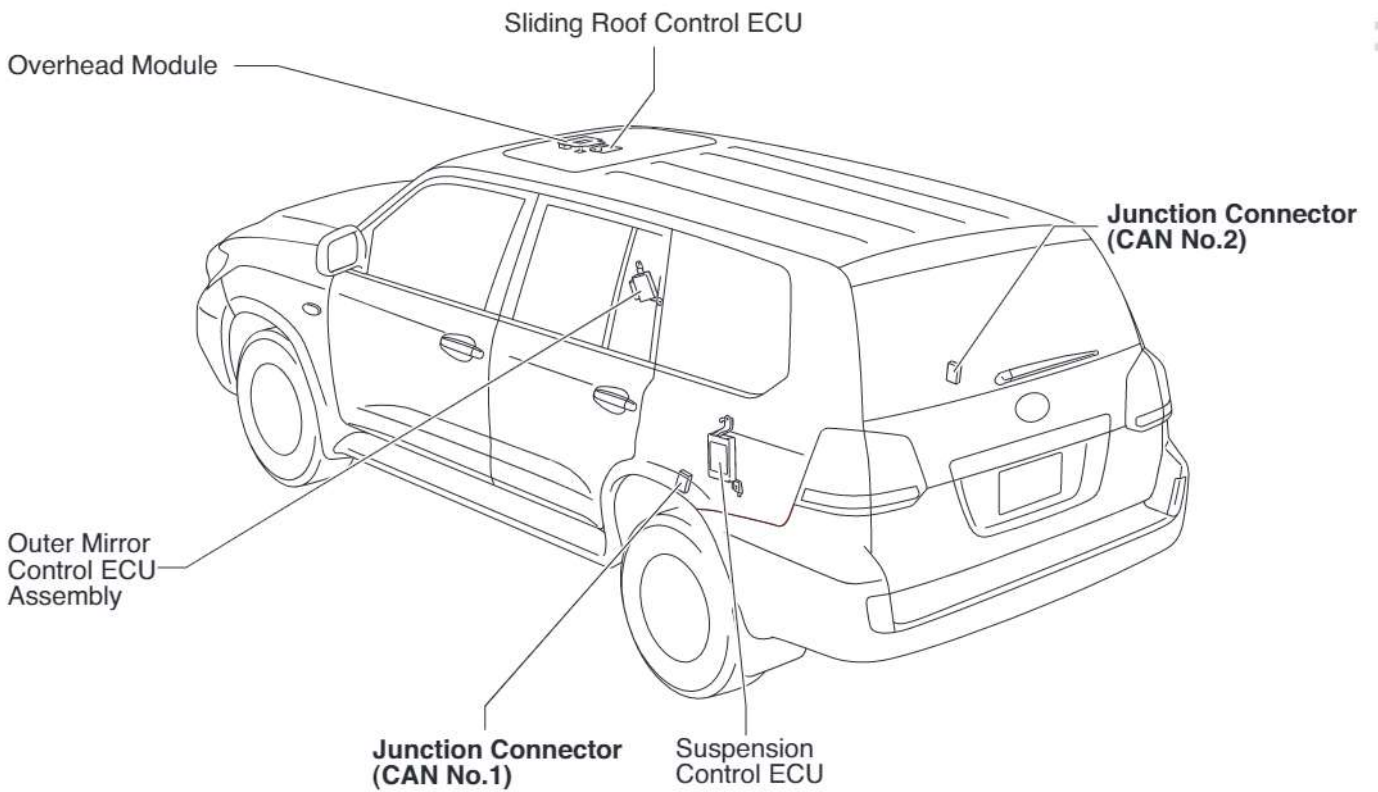


F RELAY LOCATIONS

[Body]
(LHD)

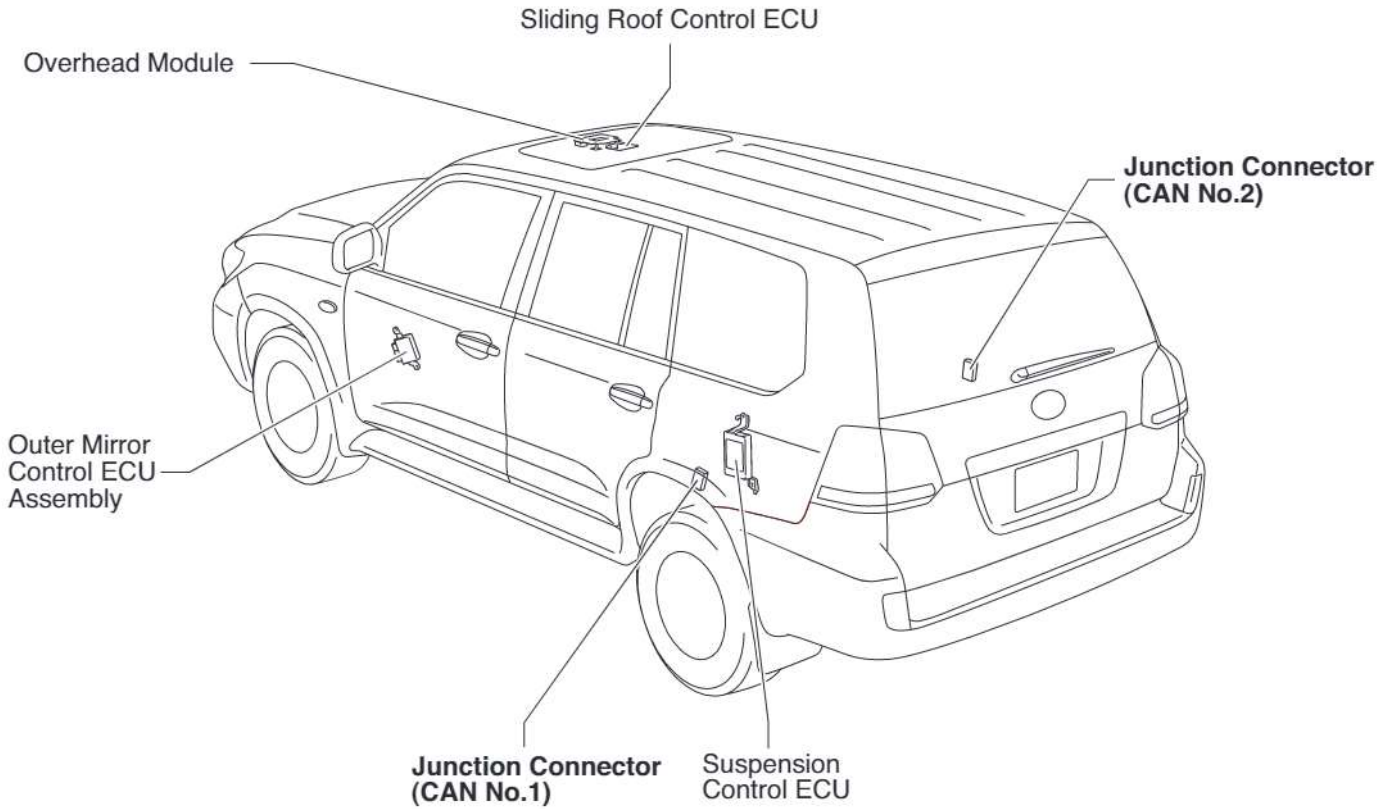


(RHD)

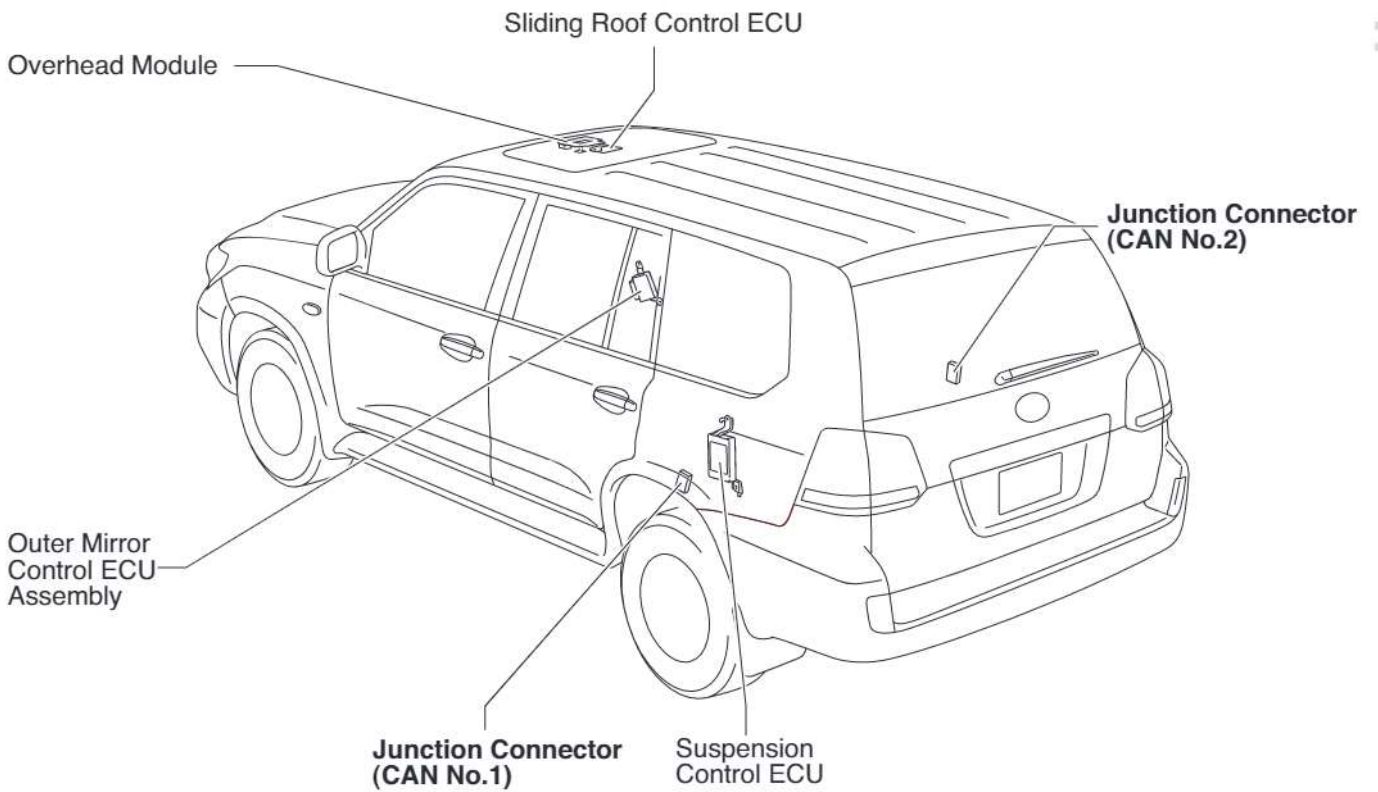


F RELAY LOCATIONS

[Body]
(LHD)

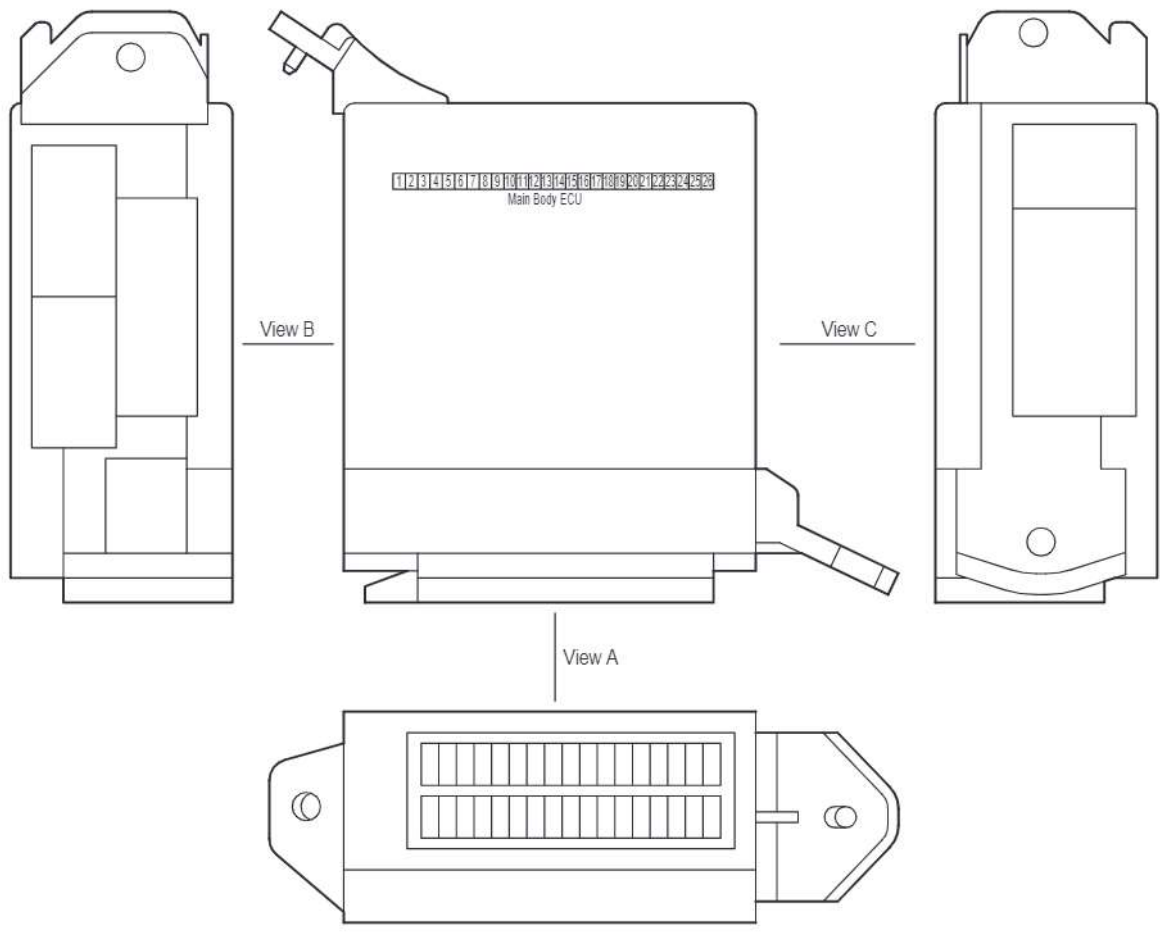


(RHD)



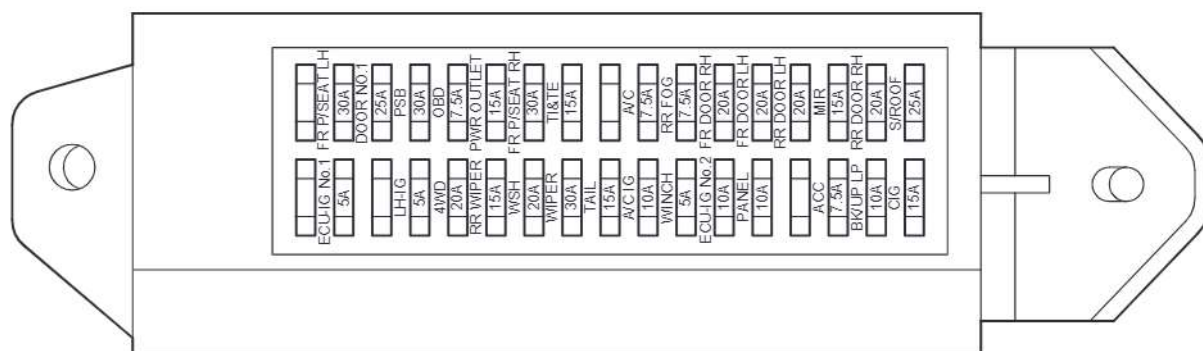
F RELAY LOCATIONS

 : Cowl Side J/B LH Assembly | Cowl Side Left (See Page 21)



cardiagn.com

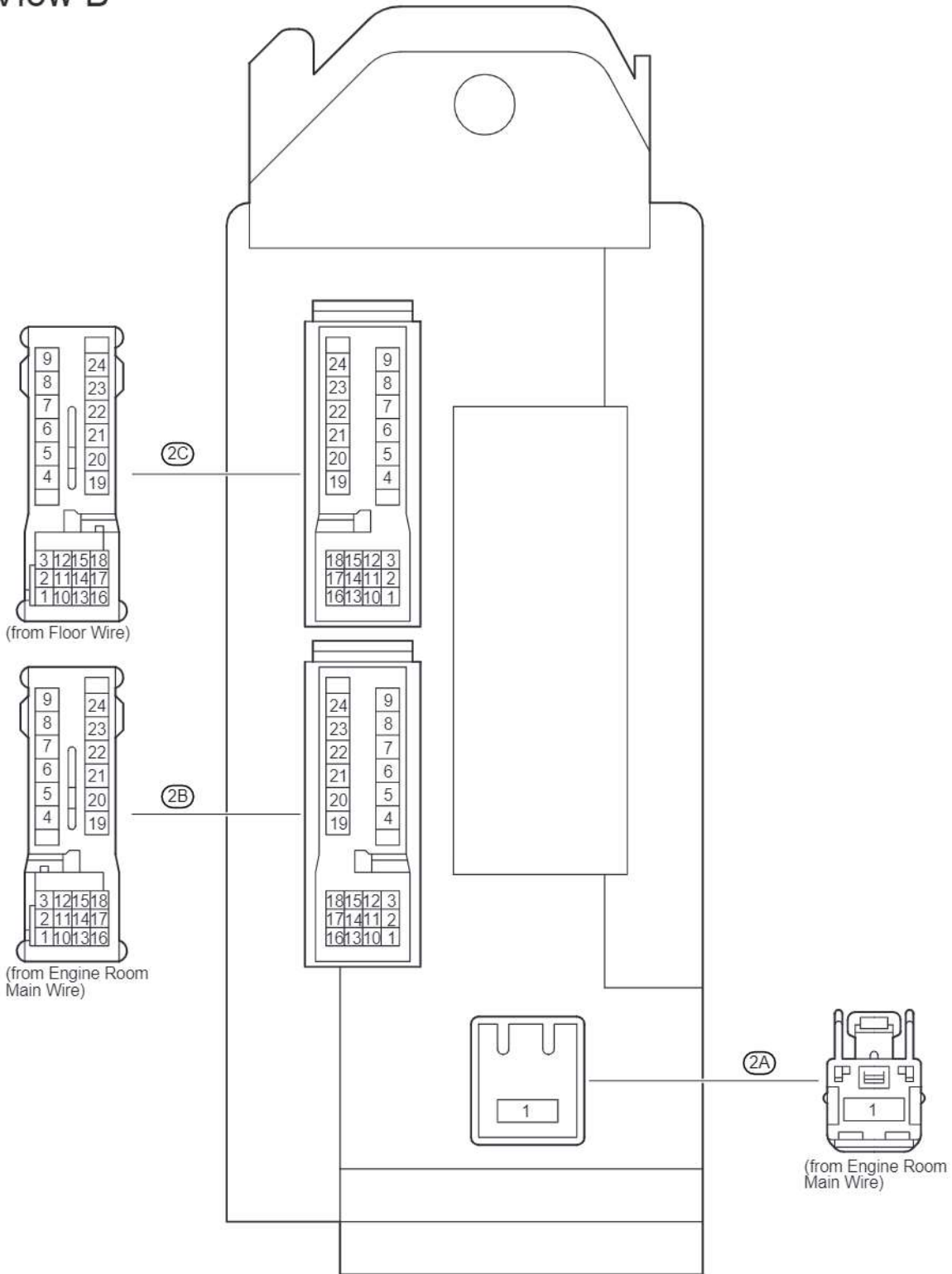
View A



F RELAY LOCATIONS

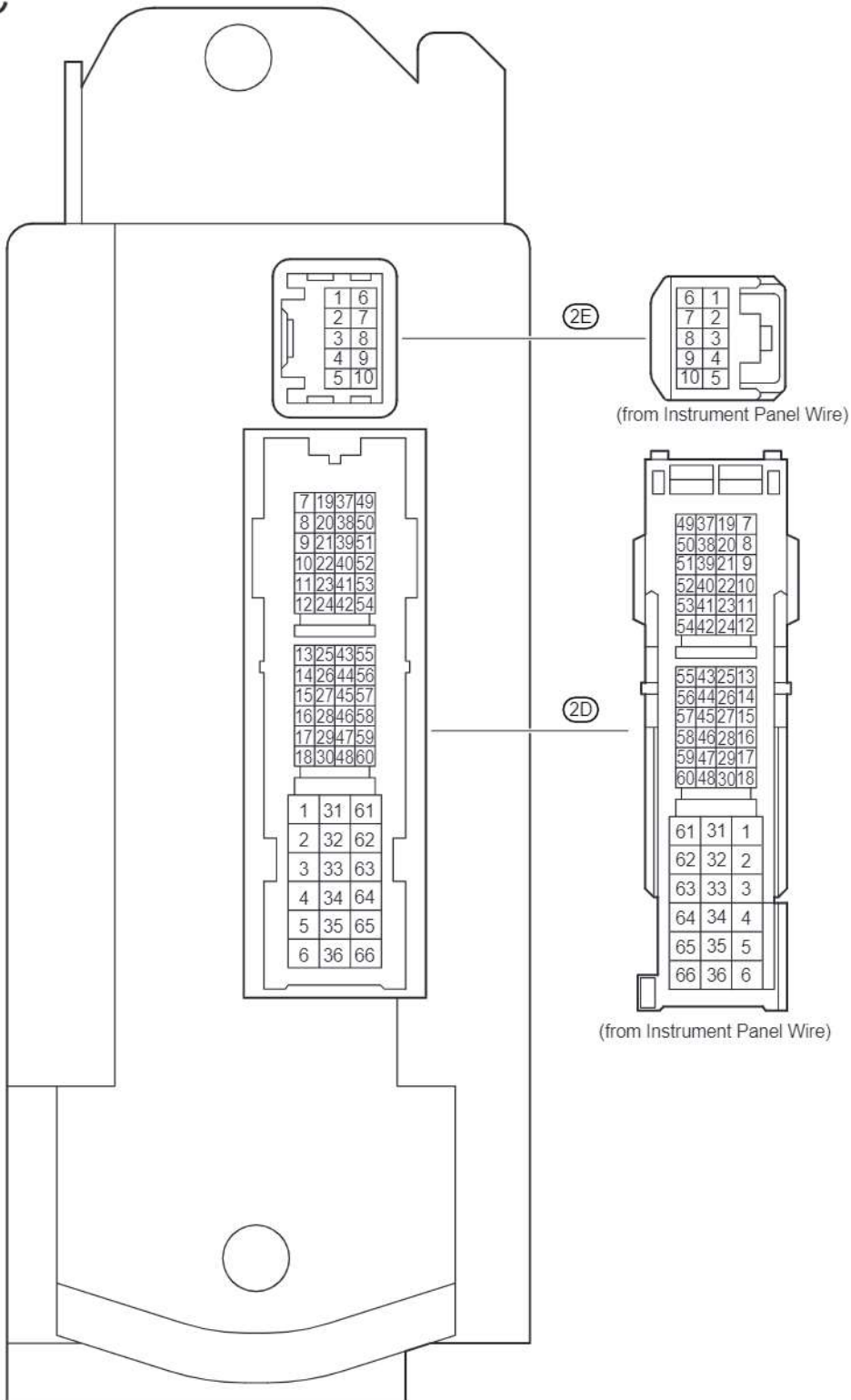
○ : Cowl Side J/B LH Assembly Cowl Side Left (See Page 21)

View B



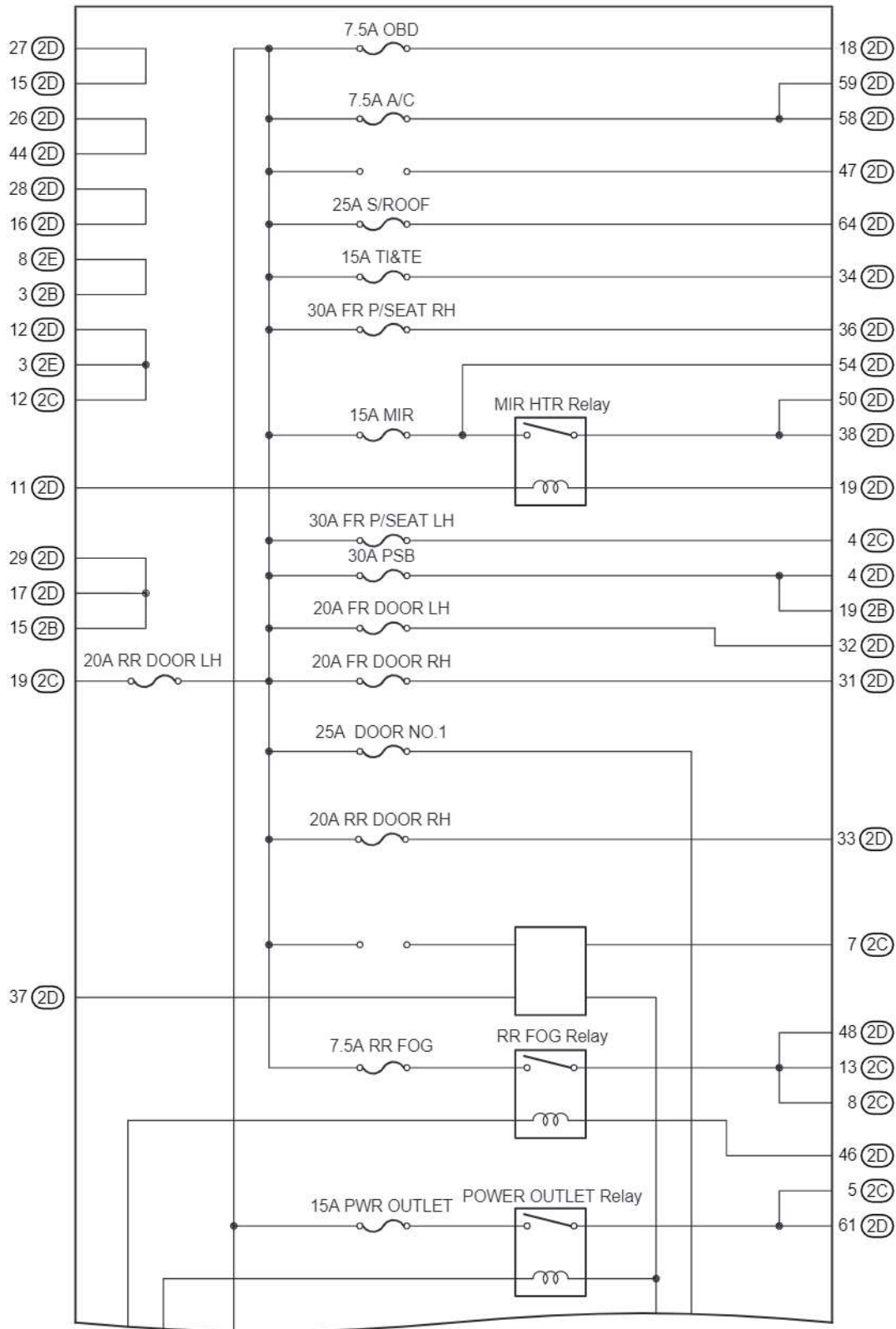
cardiagn.com

View C



F RELAY LOCATIONS

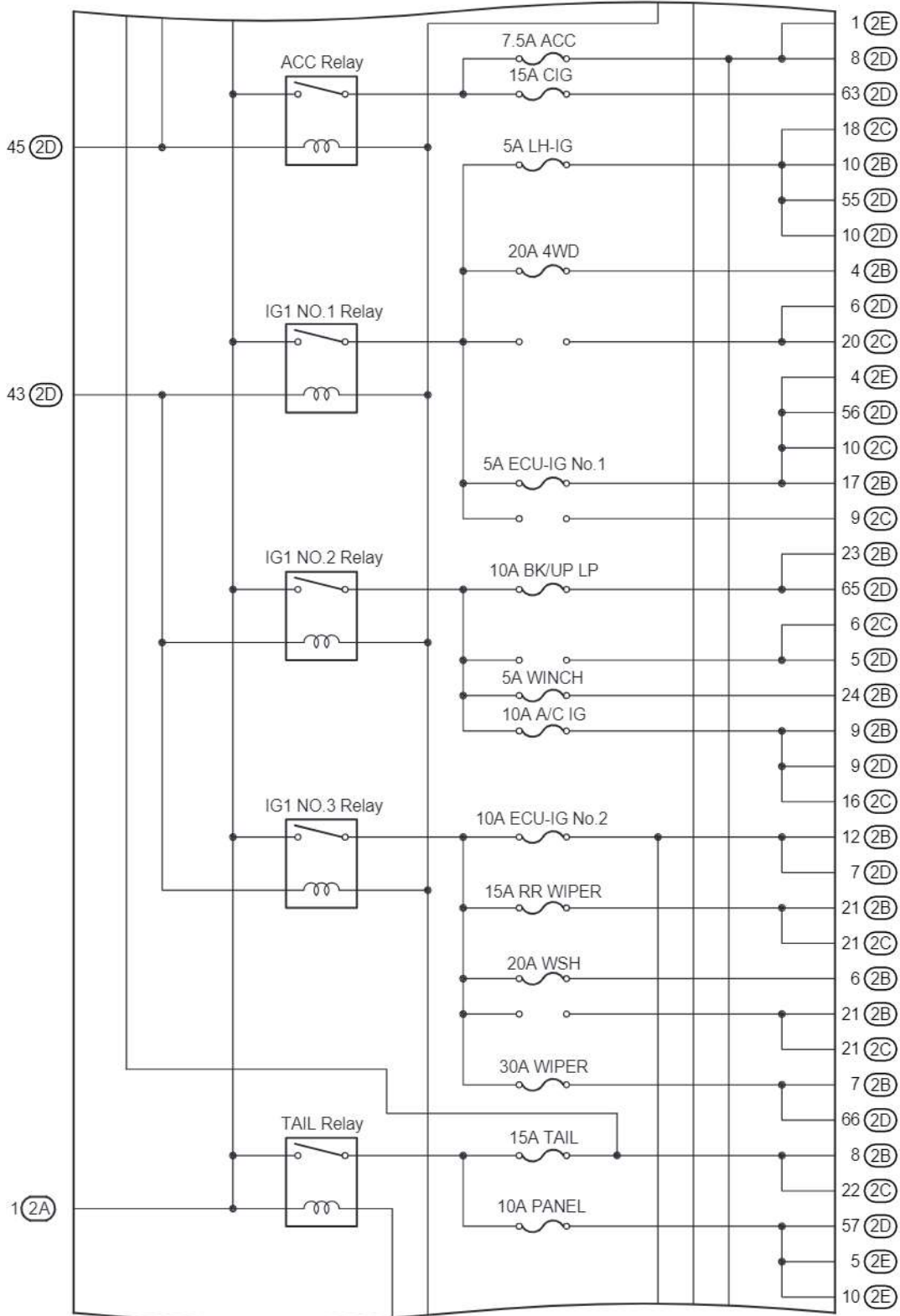
[Cowl Side J/B LH Assembly Inner Circuit]



(Cont. Next Page)

cardiagn.com

(Cont'd)

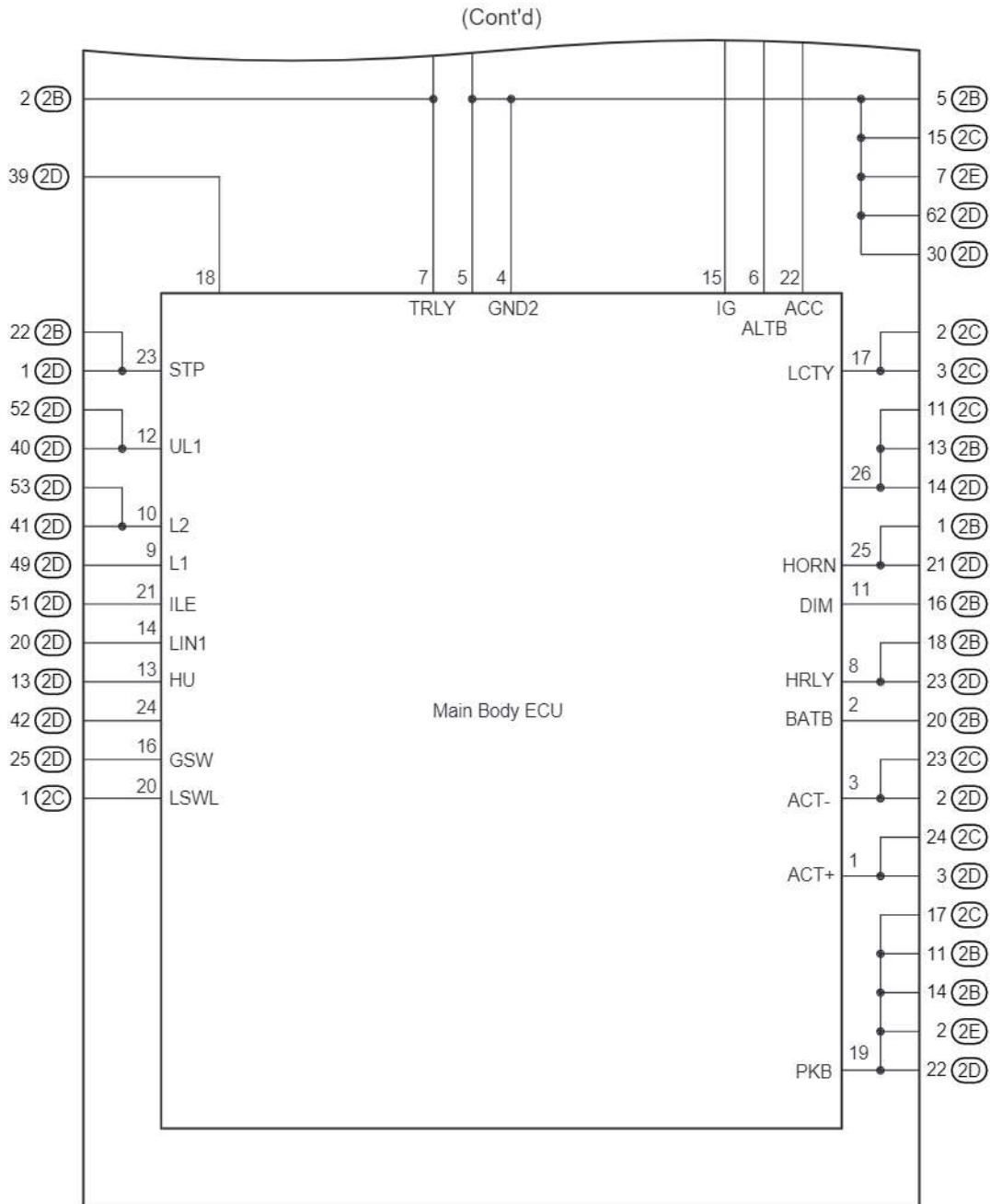


(Cont. Next Page)

cardiagn.com

F RELAY LOCATIONS

[Cowl Side J/B LH Assembly Inner Circuit]

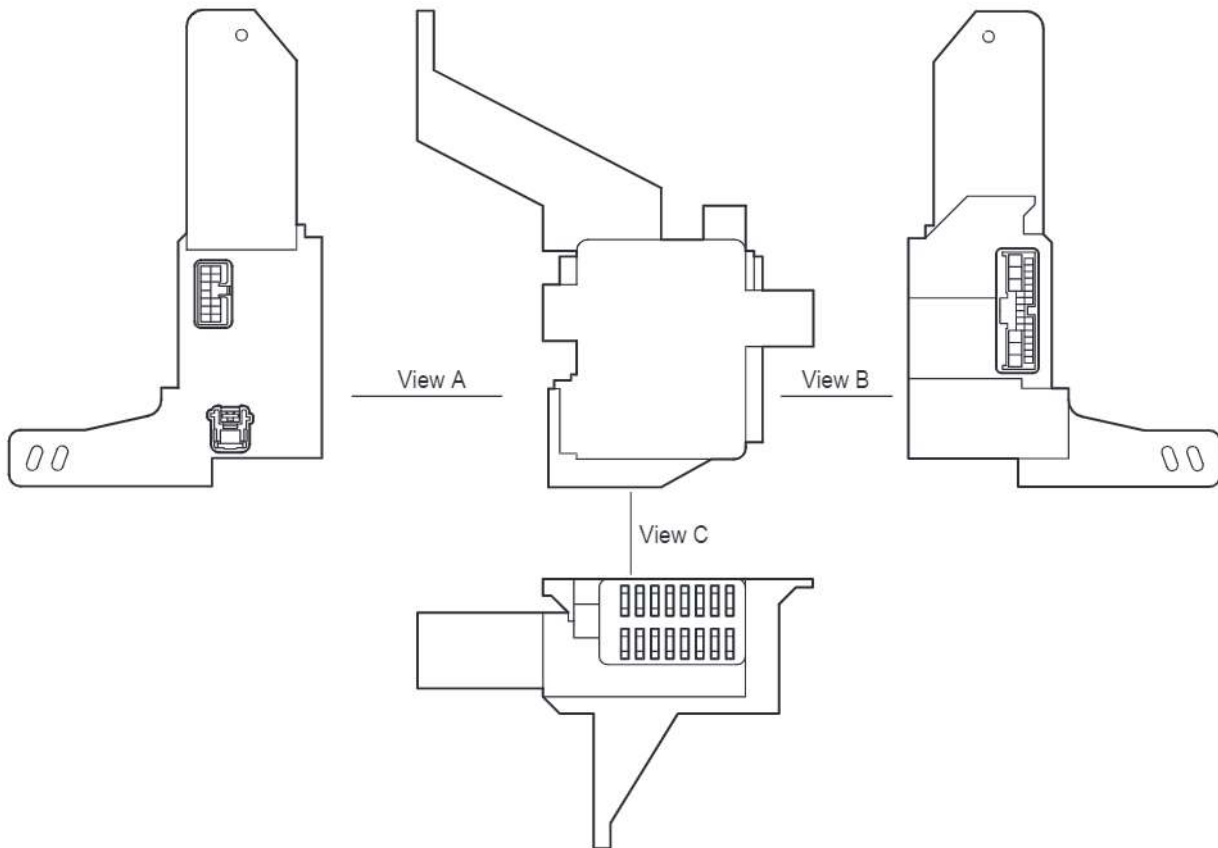


cardiagn.com

F RELAY LOCATIONS

 : Cowl Side J/B RH Assembly Cowl Side Right (See Page 21)

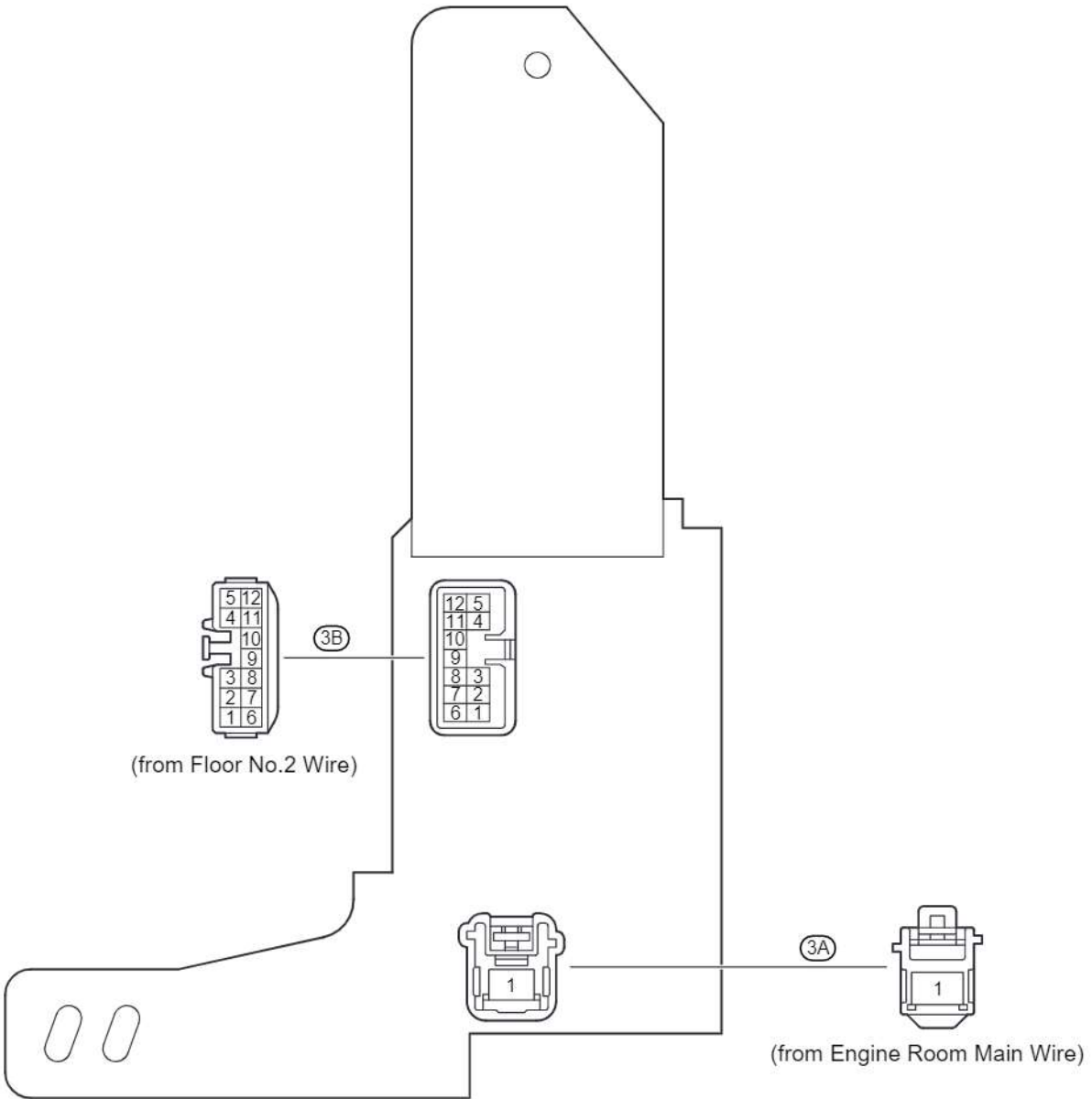
(LHD)



cardiagn.com

(LHD)

View A



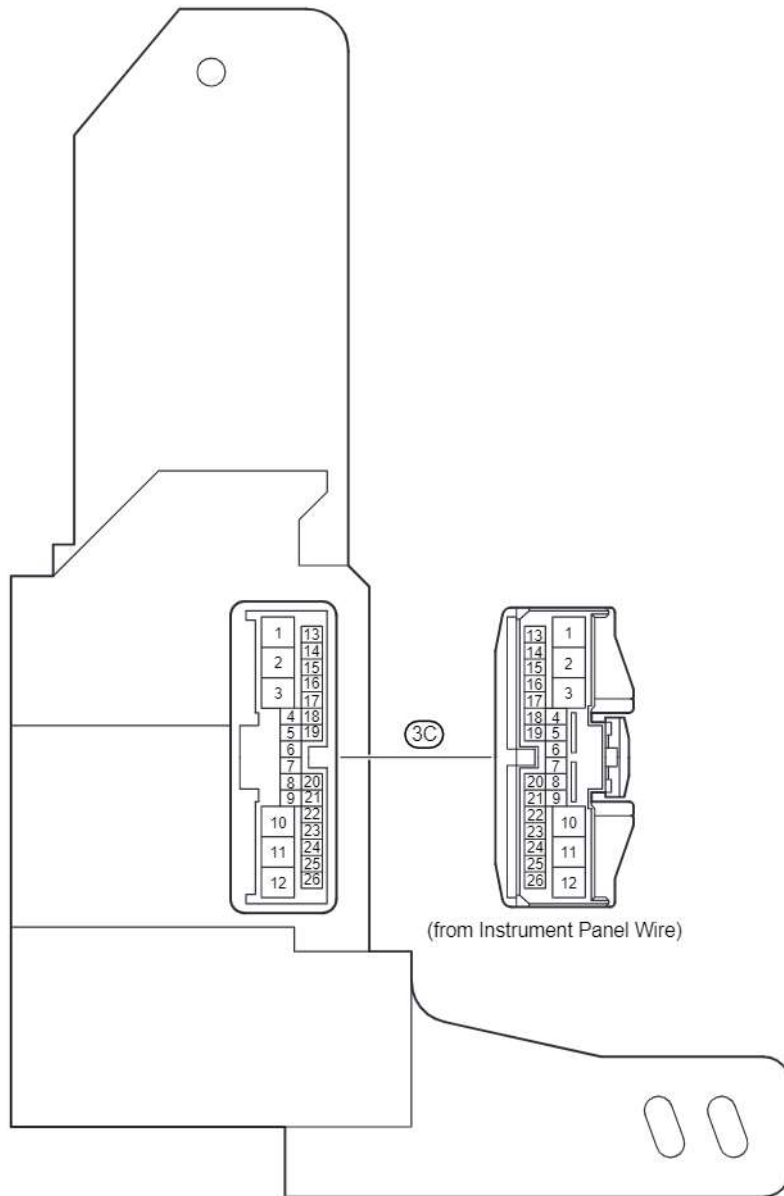
cardiagn.com

F RELAY LOCATIONS

 : Cowl Side J/B RH Assembly **Cowl Side Right (See Page 21)**

(LHD)

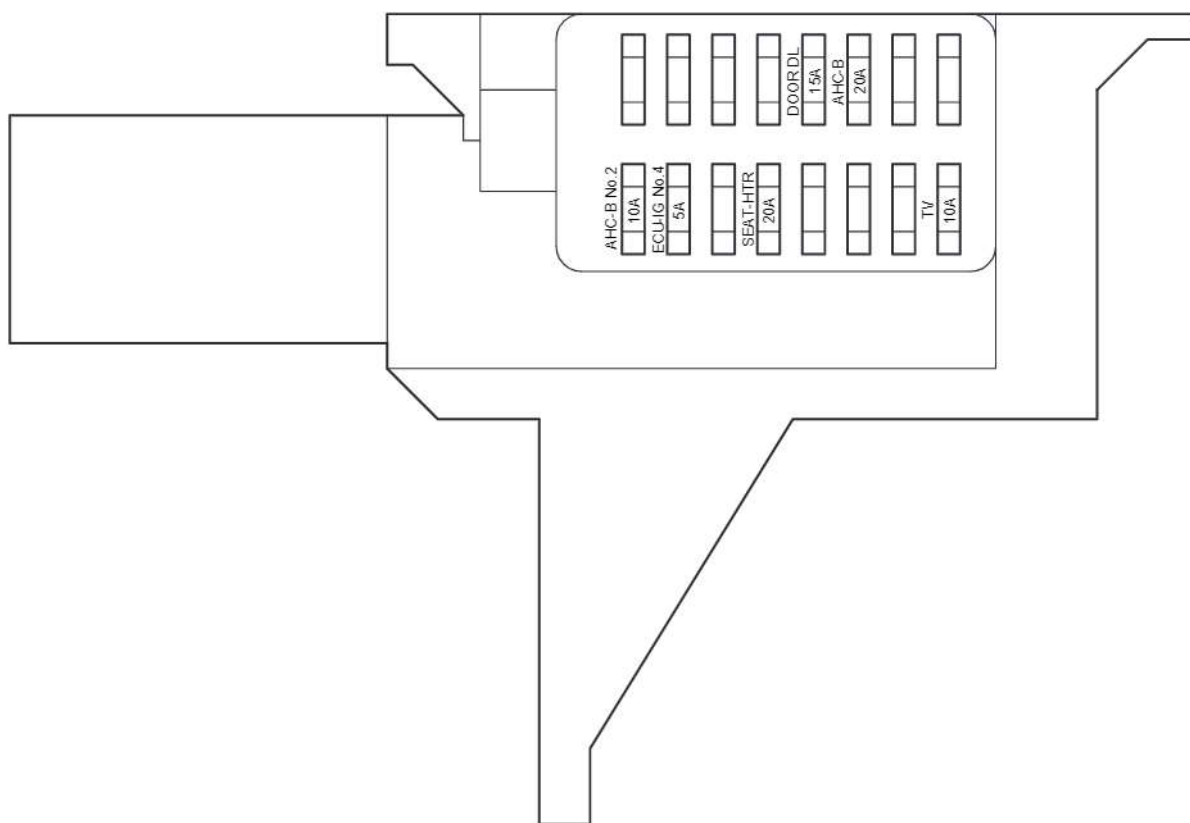
View B



cardiagn.com

(LHD)

View C

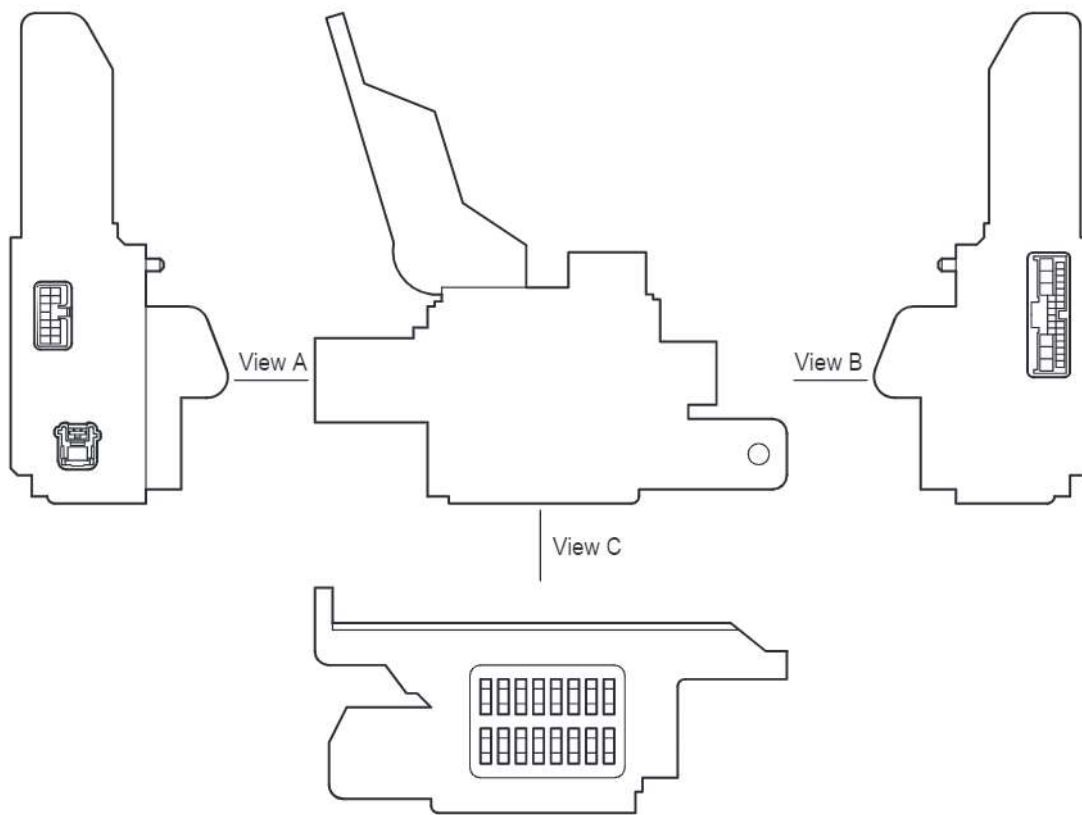


F RELAY LOCATIONS

 : Cowl Side J/B RH Assembly

Cowl Side Right (See Page 21)

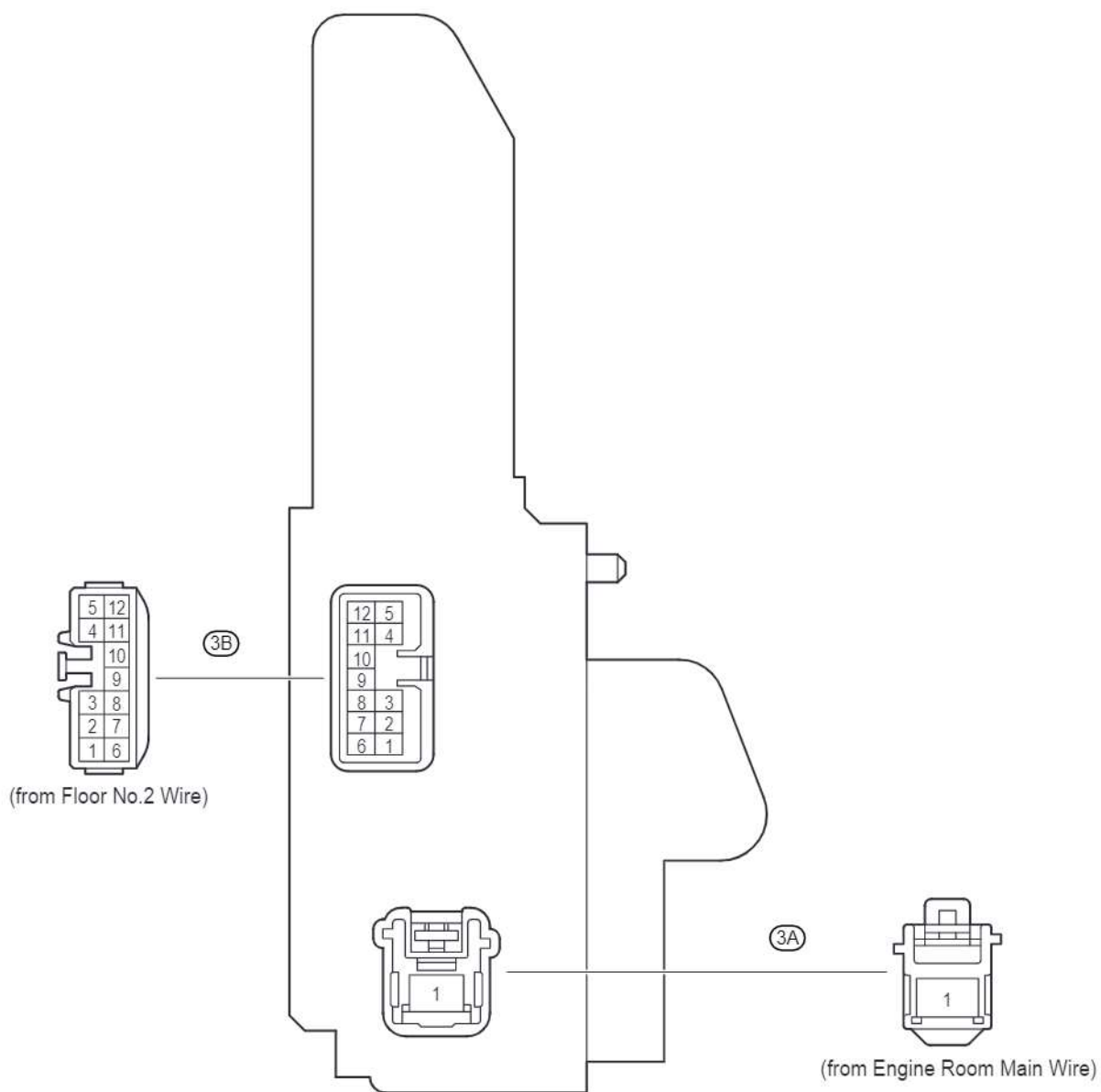
(RHD)



cardiagn.com

(RHD)

View A

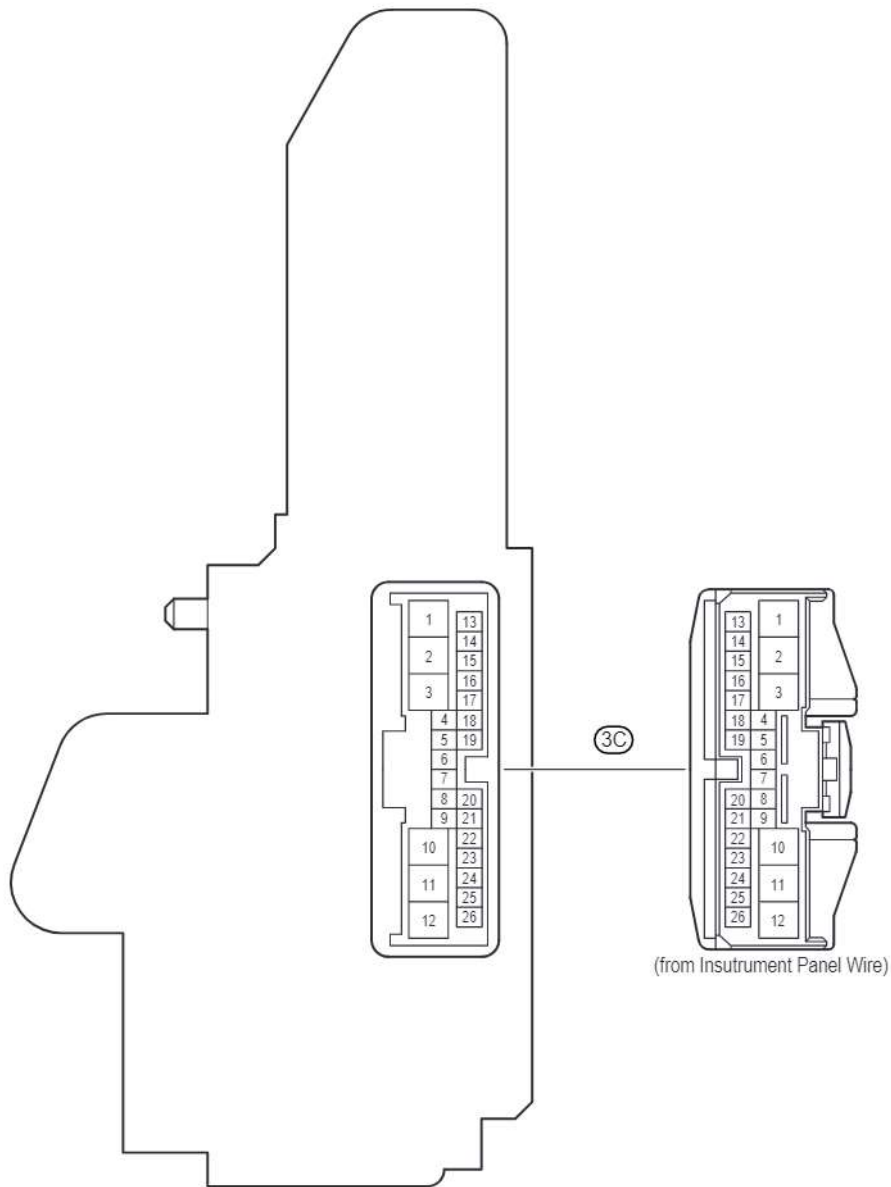


F RELAY LOCATIONS

○ : Cowl Side J/B RH Assembly Cowl Side Right (See Page 21)

(RHD)

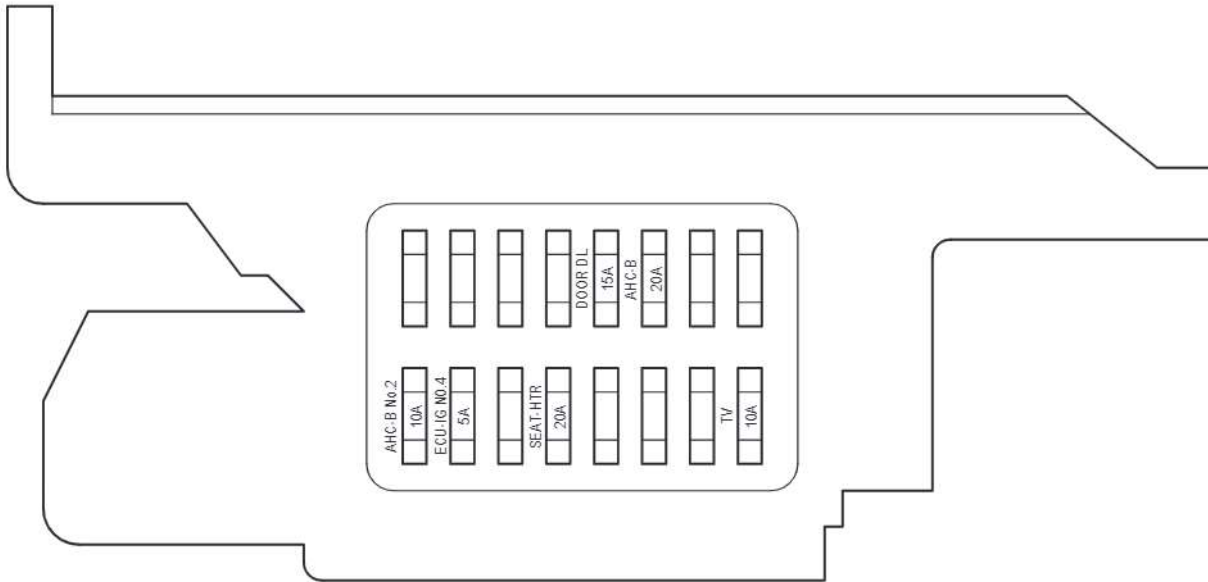
View B



cardiagn.com

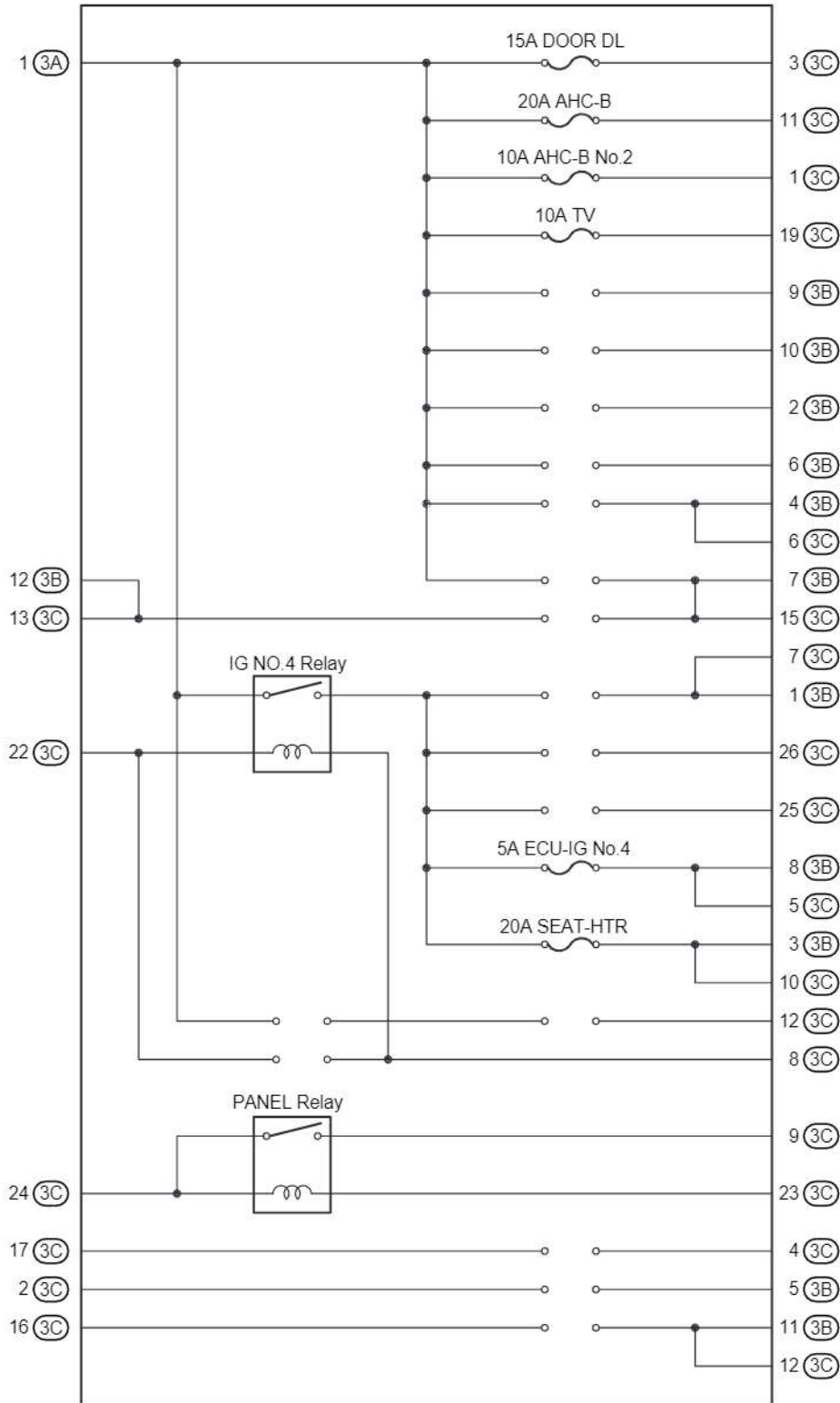
(RHD)

View C



F RELAY LOCATIONS

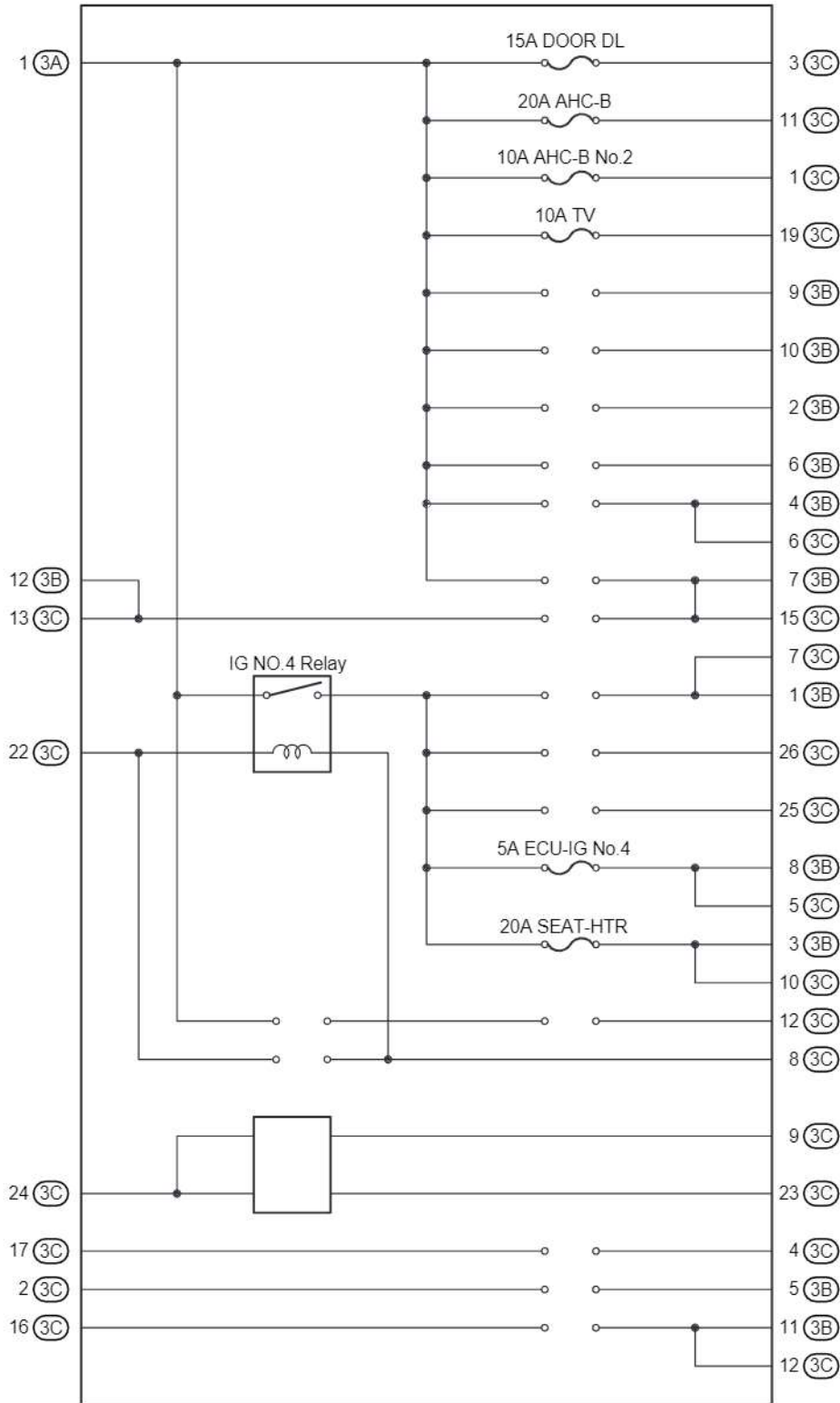
[Cowl Side J/B RH Assembly Inner Circuit]
(LHD)



cardiagn.com

F RELAY LOCATIONS

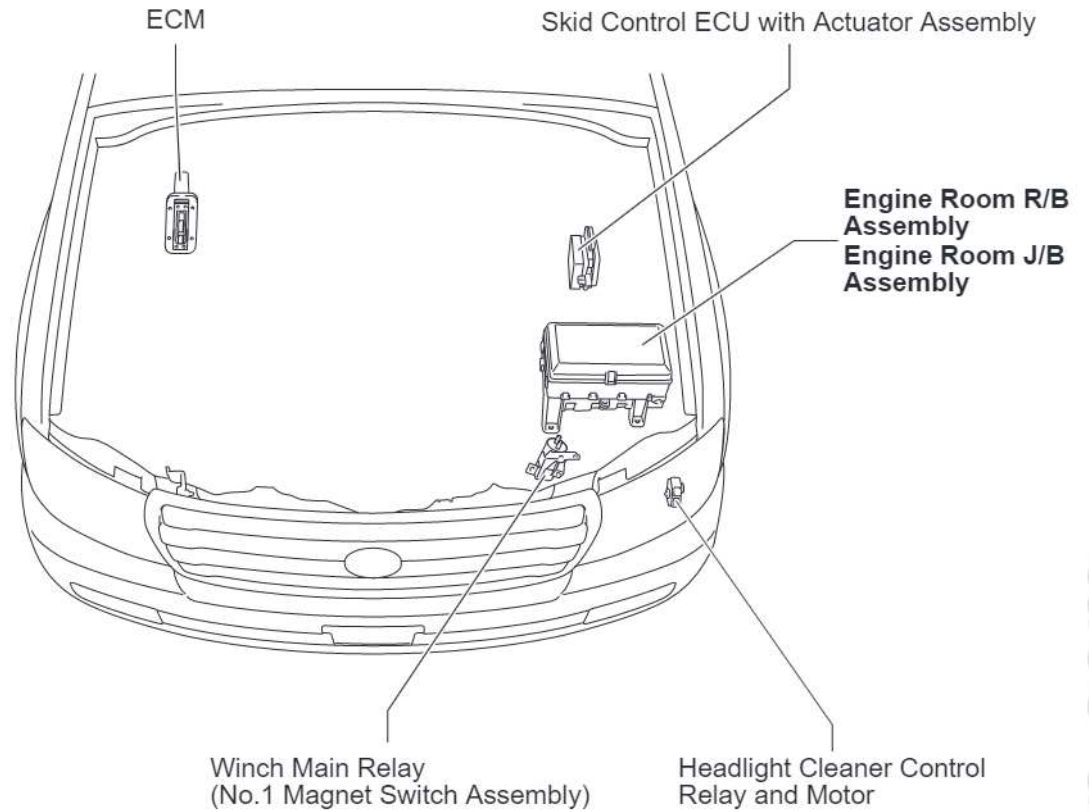
[Cowl Side J/B RH Assembly Inner Circuit] (RHD)



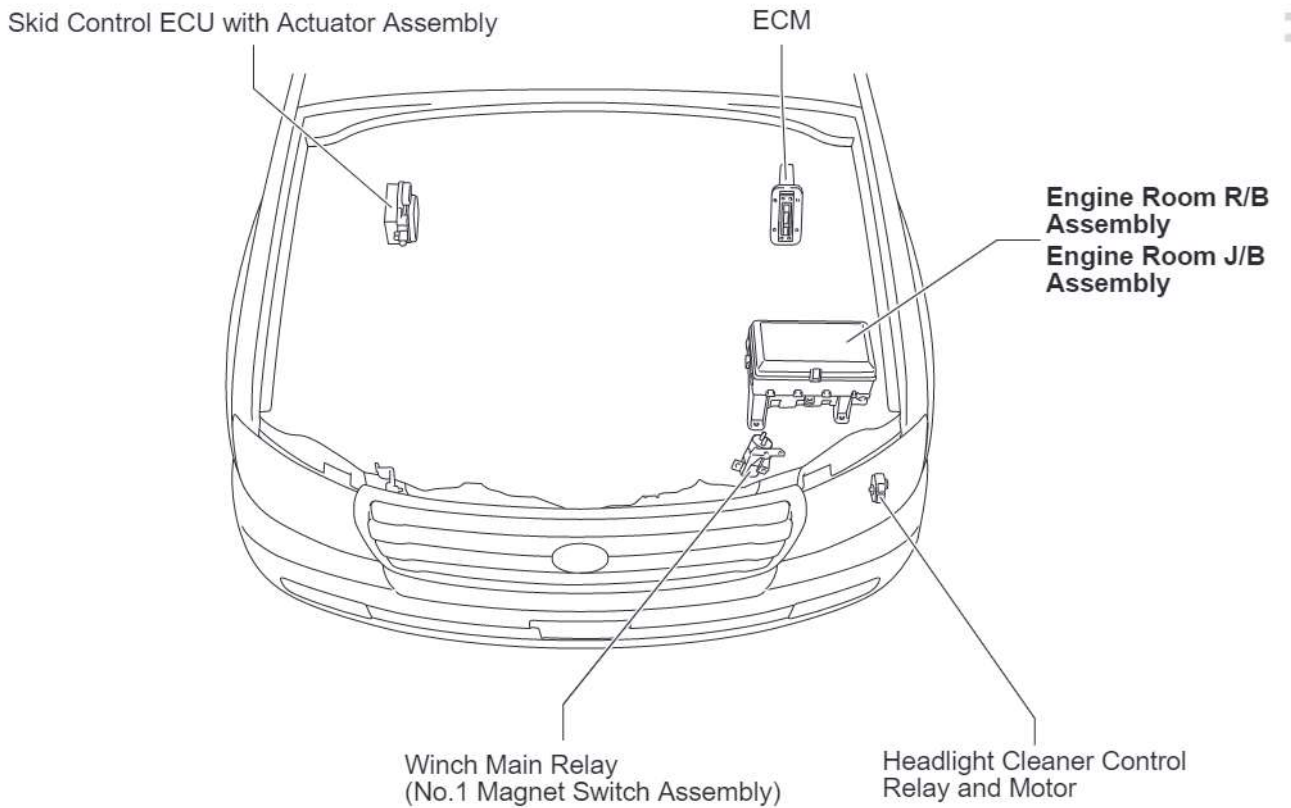
cardiagn.com

F RELAY LOCATIONS

[Engine Compartment] (LHD)

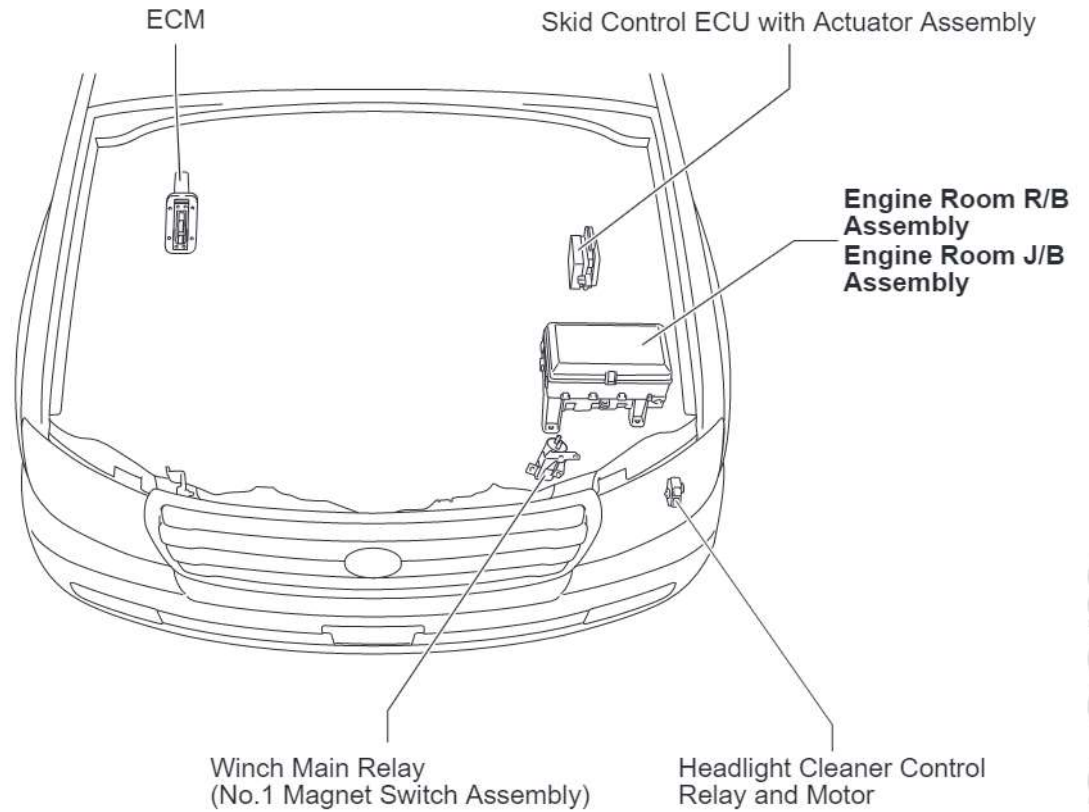


(RHD)

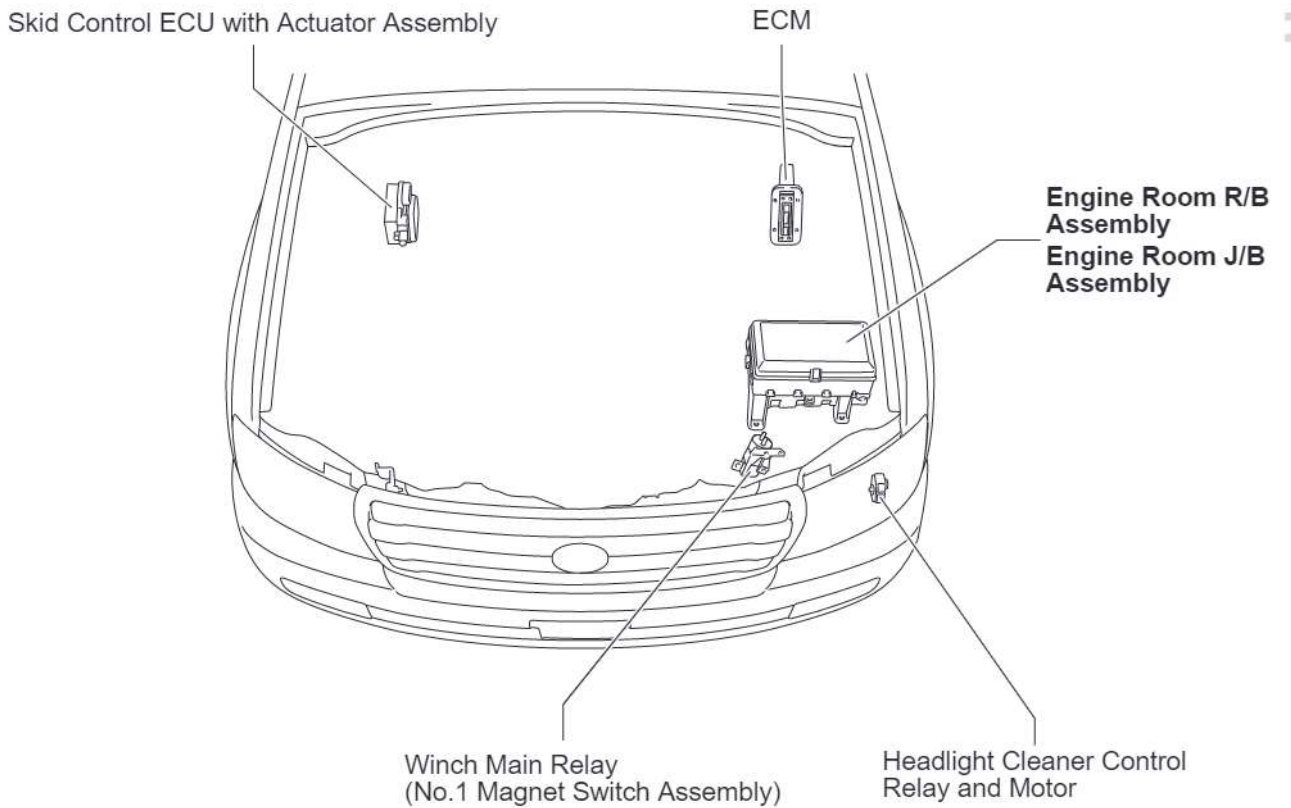


F RELAY LOCATIONS

[Engine Compartment] (LHD)



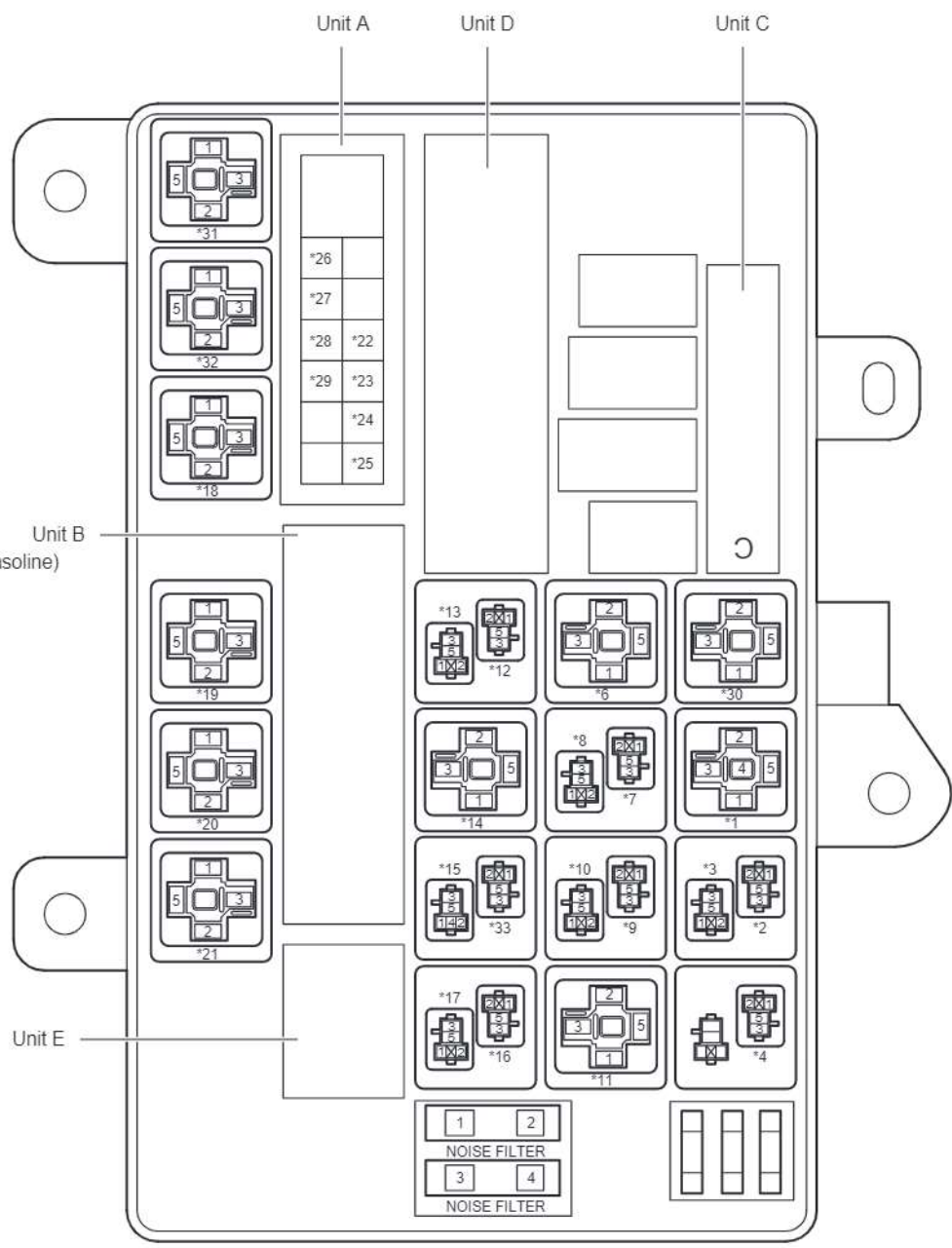
(RHD)



F RELAY LOCATIONS

<p>① : Engine Room R/B Assembly</p> <p>○ : Engine Room J/B Assembly</p>	<h2>Engine Compartment Left (See Page 20)</h2>
---	--

- * 1: DEFOG Relay
- * 2: EDU 2 Relay
- * 3: EDU 1 Relay
- * 4: IG1 NO.5 Relay
- * 6: RR A/C Relay
- * 7: ST Relay
- * 8: C/OPN Relay
(Gasoline)
SUB PUMP Relay
(Diesel)
- * 9: SECURITY HORN Relay
- * 10: FR FOG Relay
- * 11: PTC HTR1 Relay
- * 12: ST CUT Relay
- * 13: CDS FAN Relay
- * 14: PTC HTR2 Relay
- * 15: BRK LP Relay
- * 16: MG CLT Relay
- * 17: DEICER Relay
- * 18: PTC HTR3 Relay
- * 19: ST Relay
- * 20: HEAD HI Relay
- * 21: HEAD LO Relay
- * 22: 60A AHC
(for High Current)
- * 23: 50A HTR
(for High Current)
- * 24: 30A PBD
(for High Current)
- * 25: 150A LH-J/B
(for High Current)
- * 26: 180A ALT
(Except 1GR-FE)
140A ALT (1GR-FE)
(for High Current)
- * 27: 50A A/PUMP NO.1 (Gasoline)
80A GLOW1 (Diesel)
- * 28: 80A GLOW2
(for High Current)
- * 29: 40A MAIN
(for High Current)
- * 30: AHC Relay
- * 31: GLOW 1 Relay
- * 32: GLOW 2 Relay
- * 33: VSCS HTR Relay



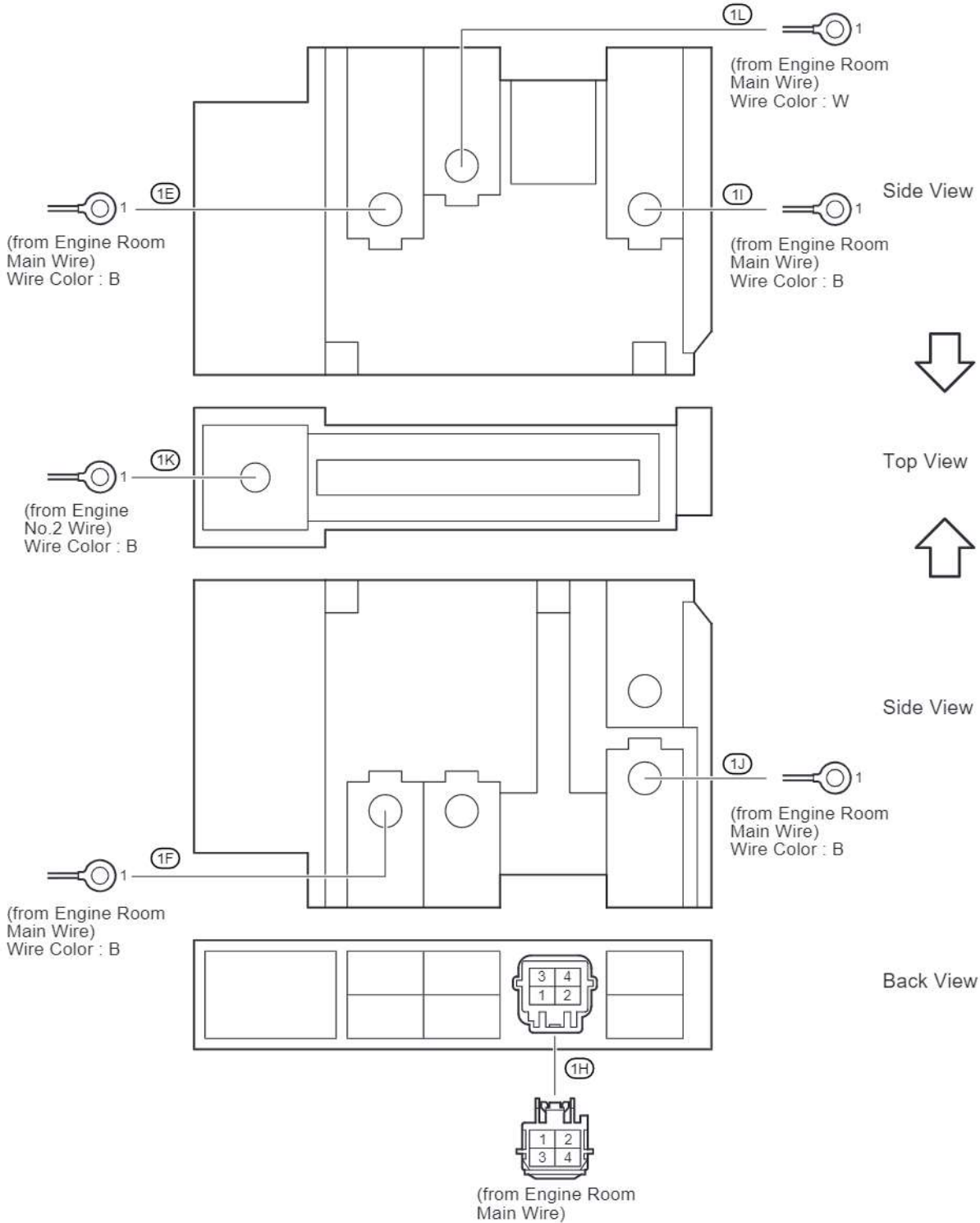
cardiagn.com

F RELAY LOCATIONS

① : Engine Room R/B Assembly	Engine Compartment Left (See Page 20)
○ : Engine Room J/B Assembly	

(Gasoline)

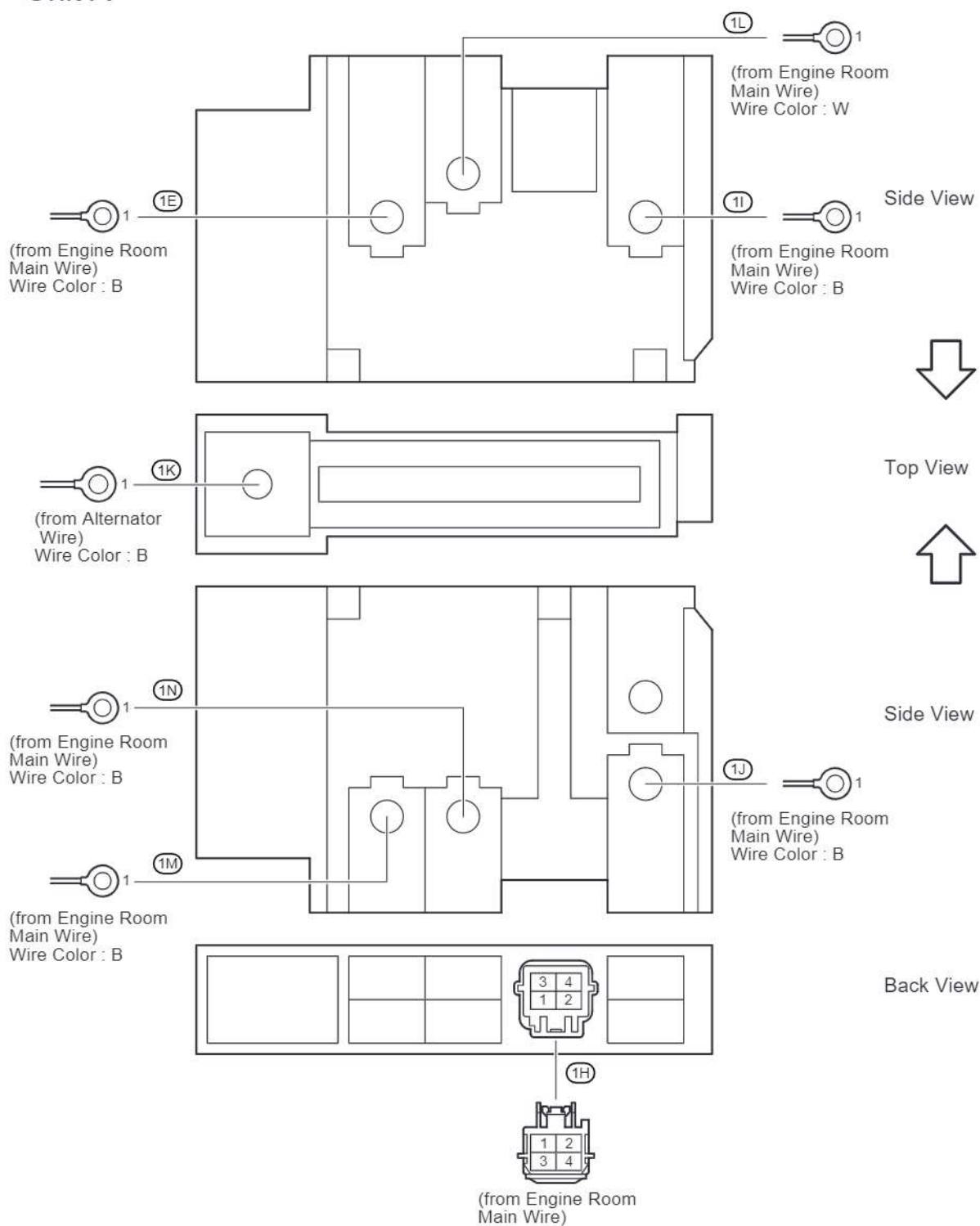
Unit A



cardiagn.com

(Diesel)

Unit A

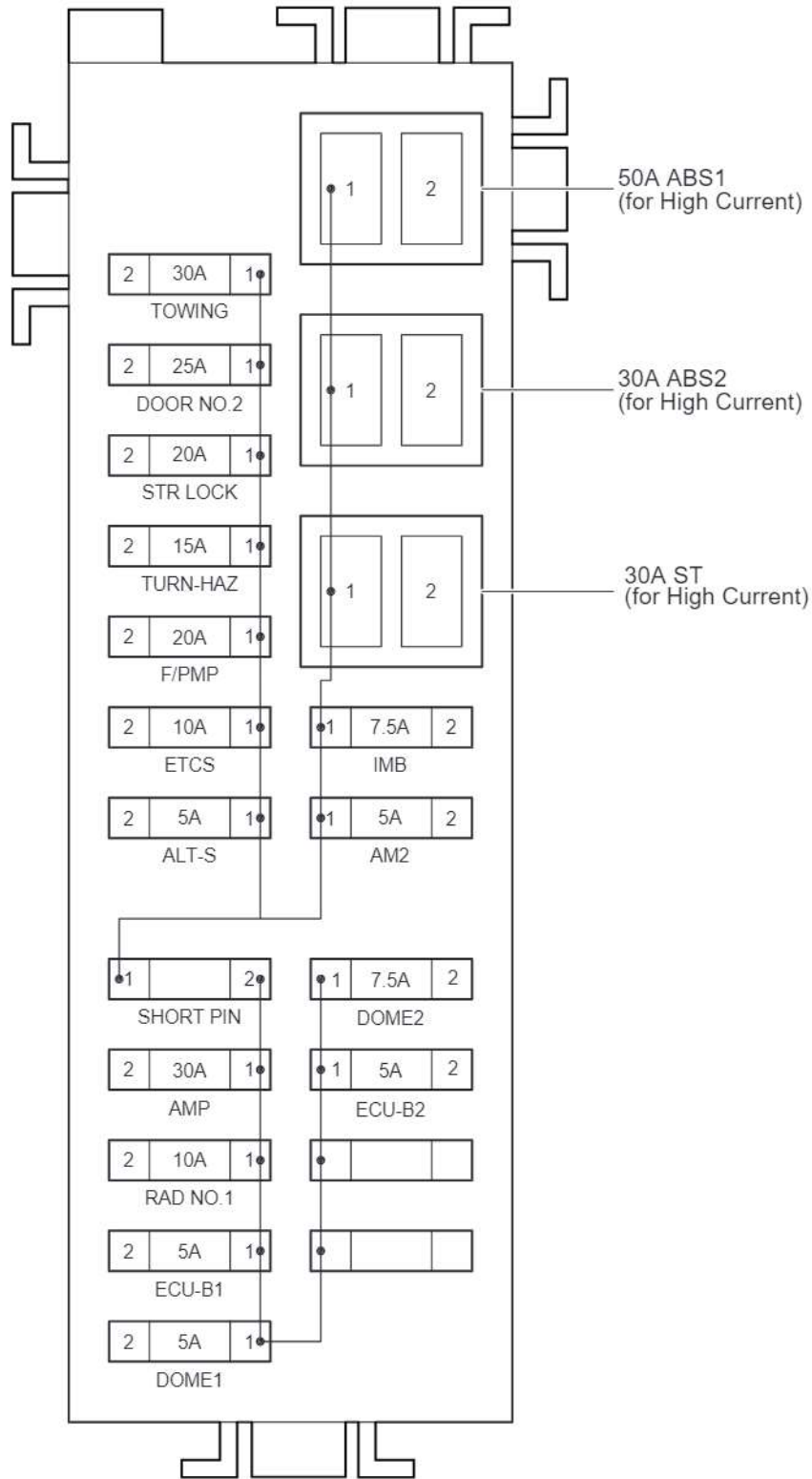


cardiagn.com

F RELAY LOCATIONS

<p>① : Engine Room R/B Assembly</p> <p>○ : Engine Room J/B Assembly</p>	<h2>Engine Compartment Left (See Page 20)</h2>
---	--

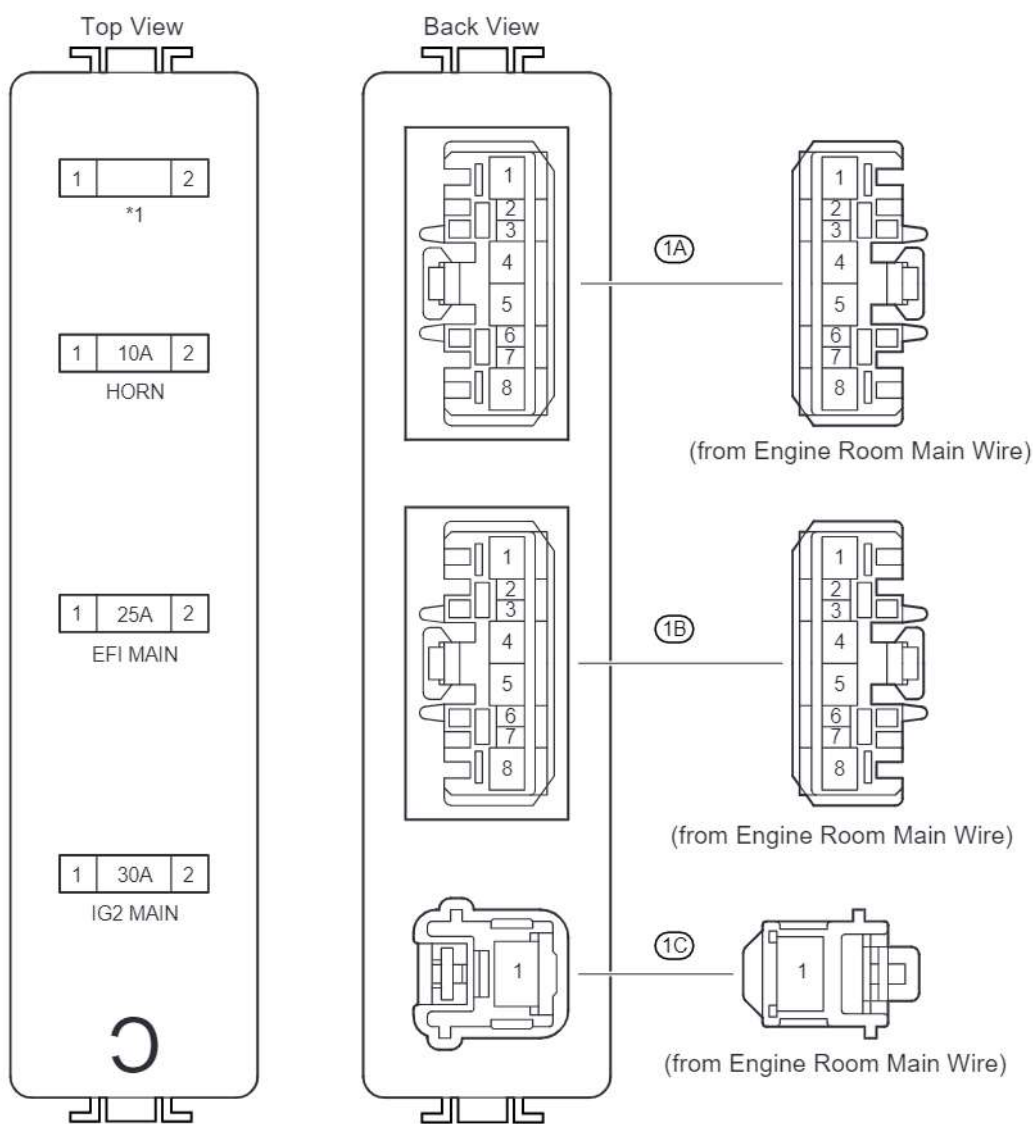
Unit B



cardiagn.com

Unit C

* 1:15A A/F (Gasoline)
 15A EFI MAIN2 (Diesel)

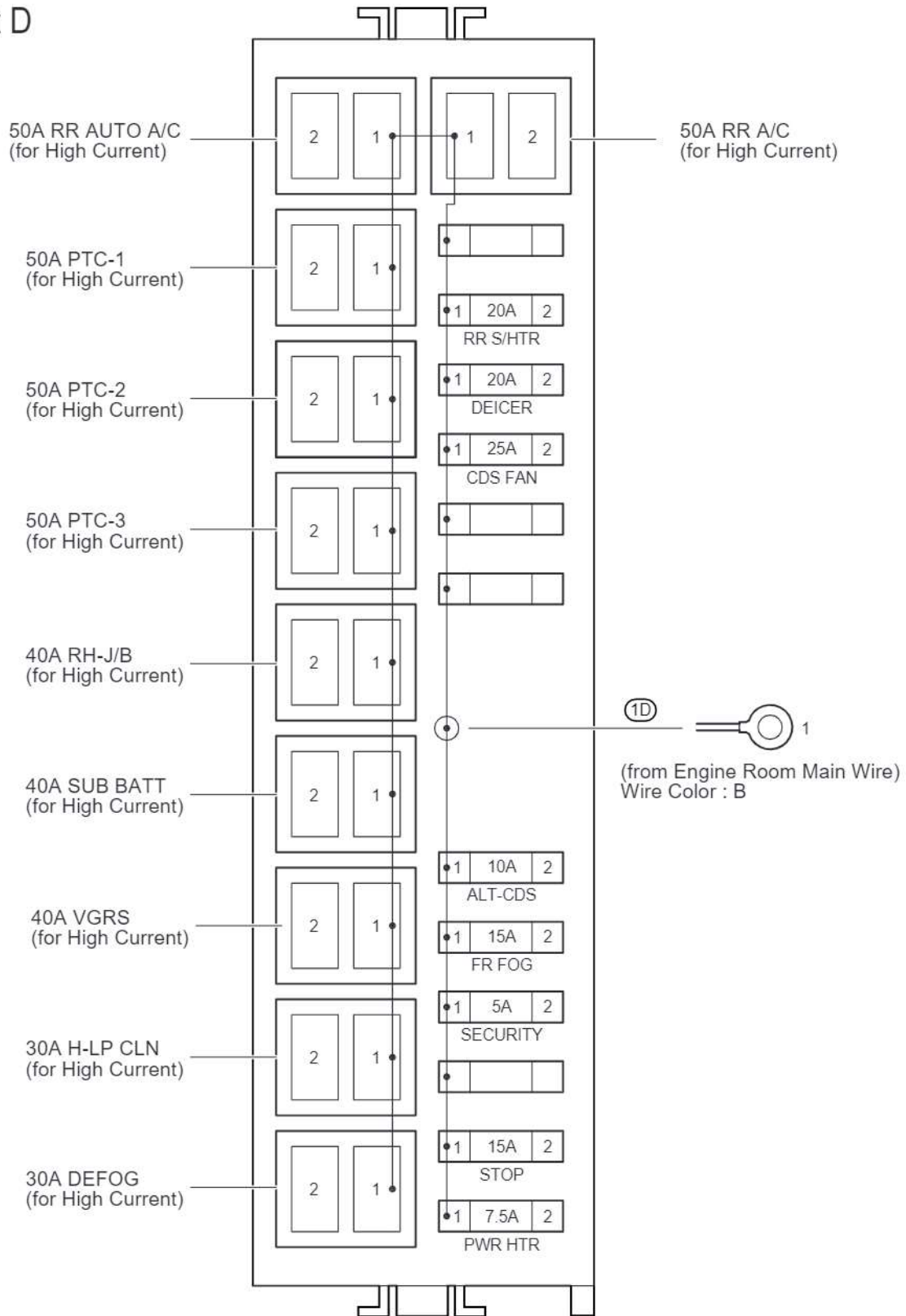


cardiagn.com

F RELAY LOCATIONS

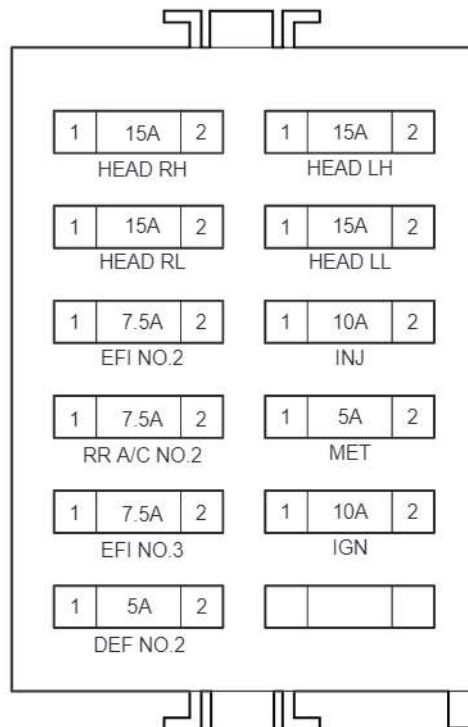
<p>① : Engine Room R/B Assembly</p> <p>○ : Engine Room J/B Assembly</p>	<h2>Engine Compartment Left (See Page 20)</h2>
---	--

Unit D



cardiagn.com

Unit E

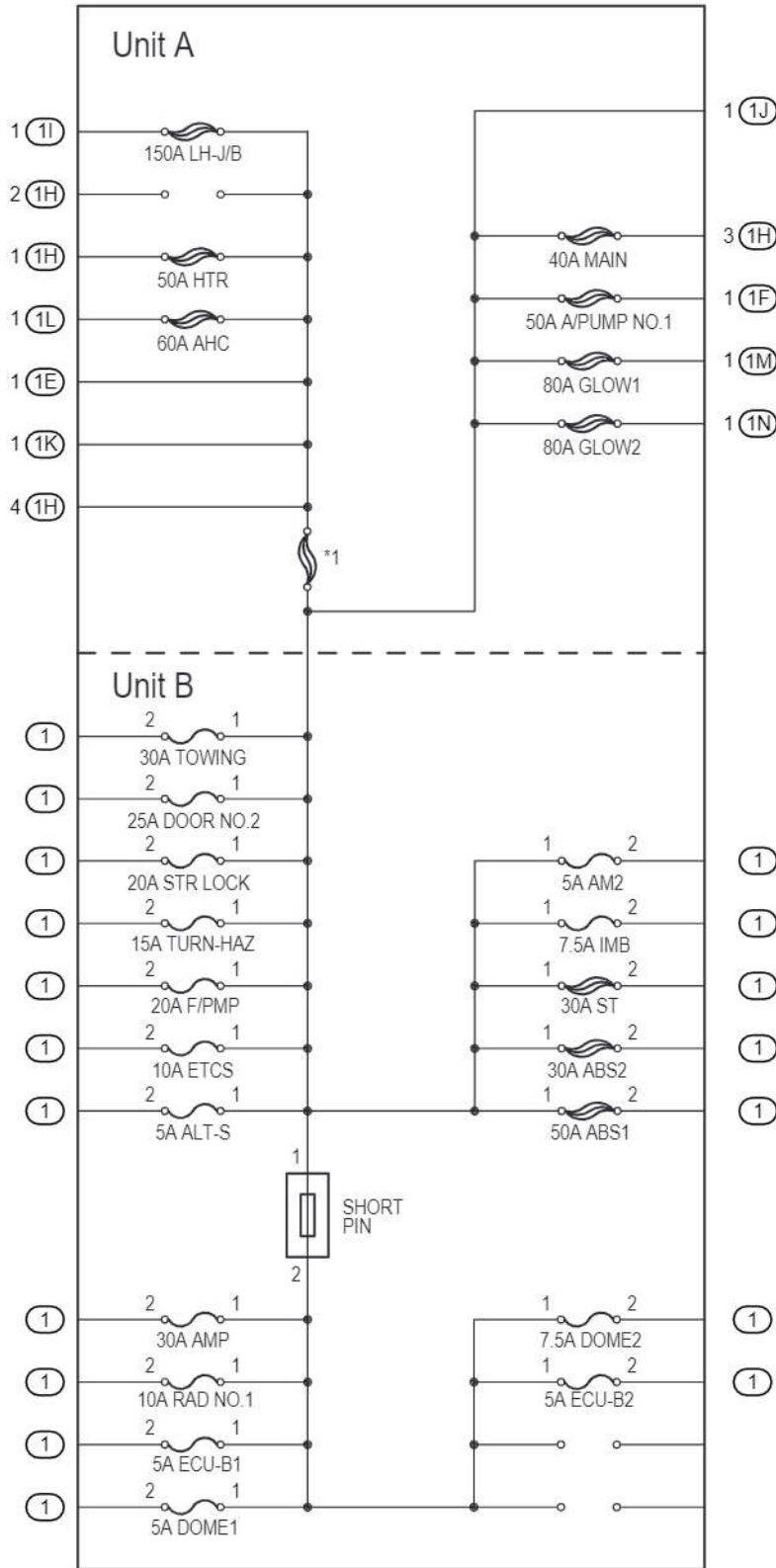


cardiagn.com

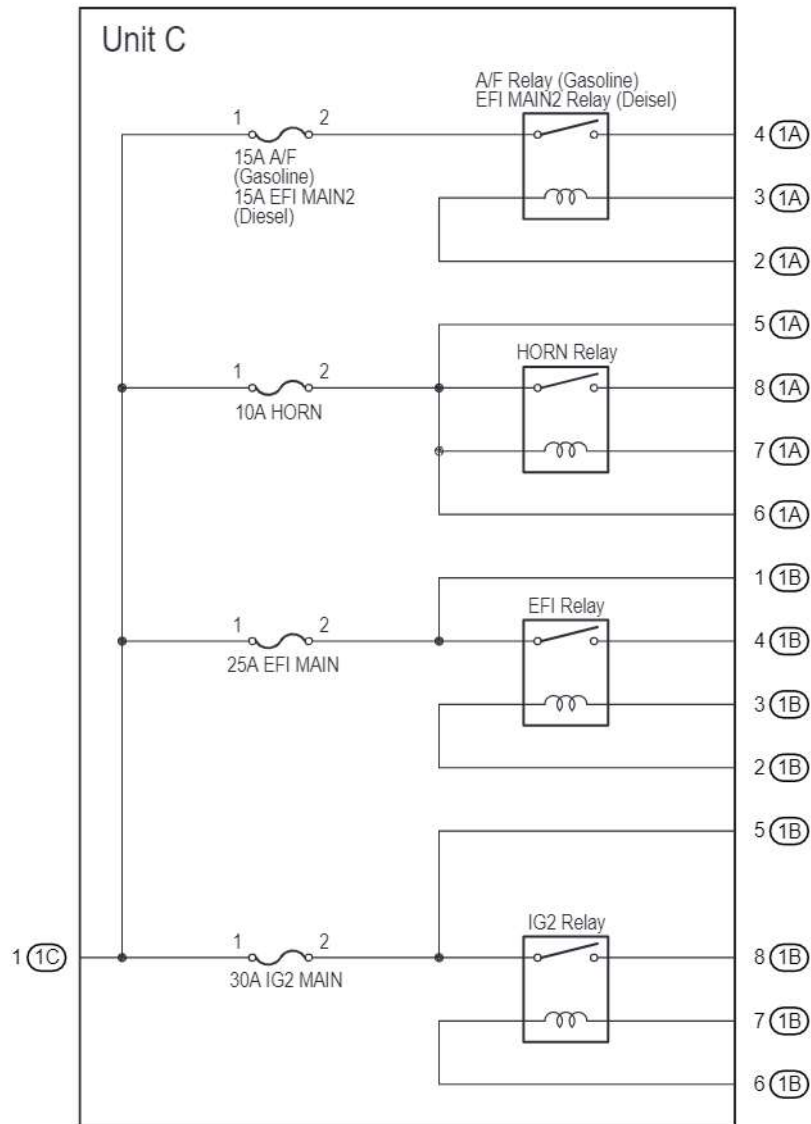
F RELAY LOCATIONS

[Engine Room R/B Assembly and Engine Room J/B Assembly Inner Circuit]

* 1:180A ALT
(Except 1GR-FE)
140A ALT (1GR-FE)
(for High Current)

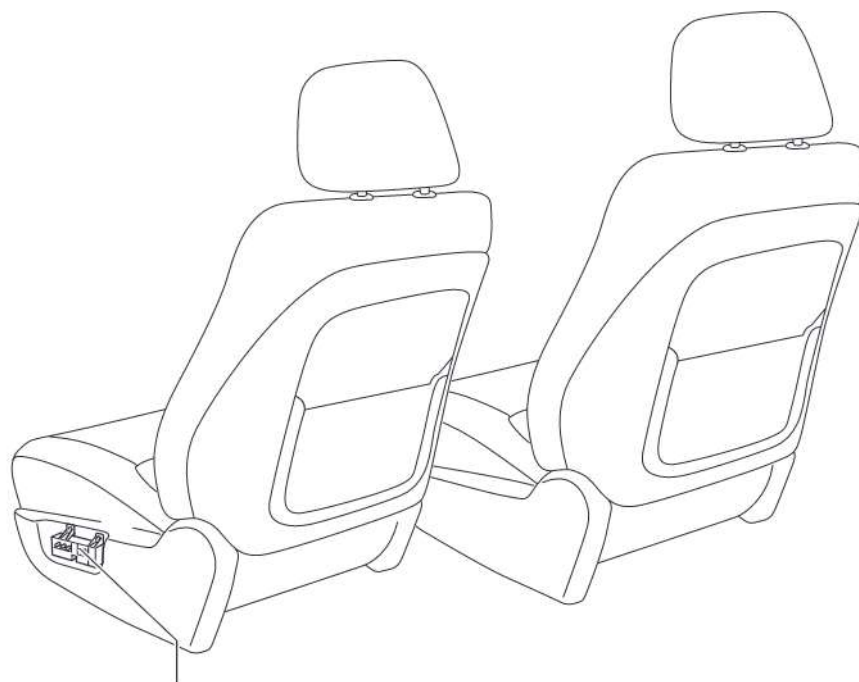


cardiagn.com



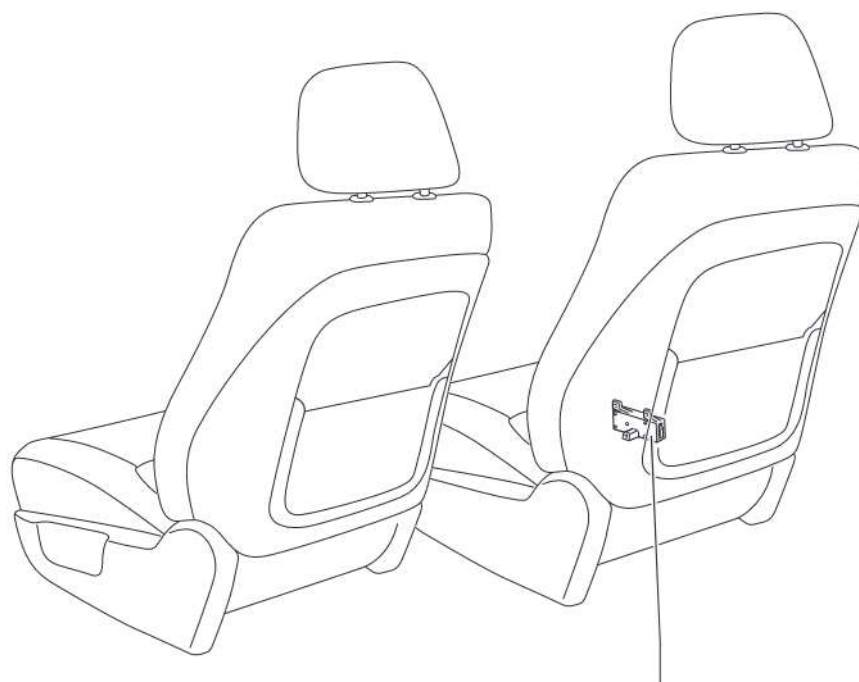
cardiagn.com

**[Seat]
(LHD)**



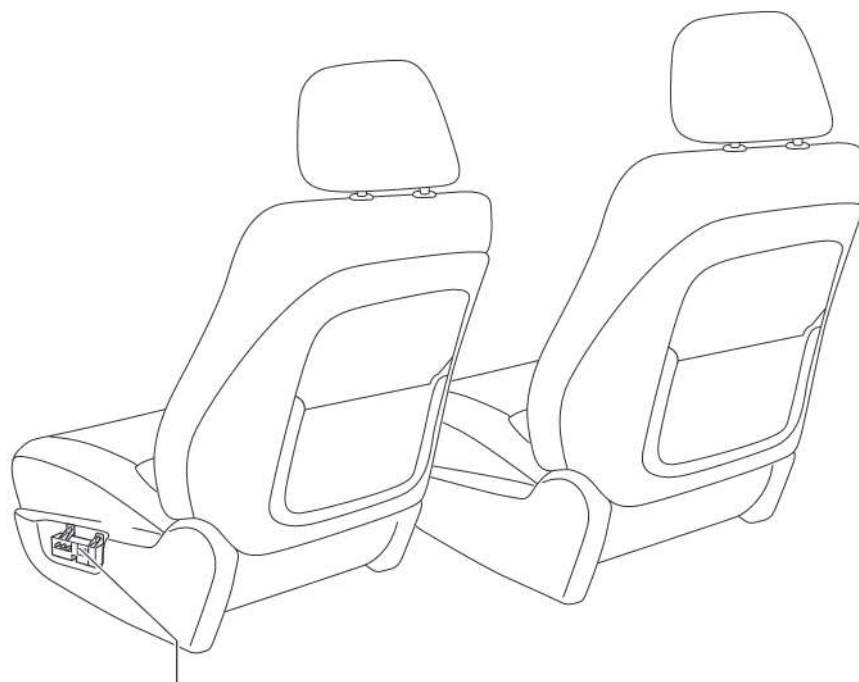
Front Position Control ECU and Switch Assembly LH

(RHD)



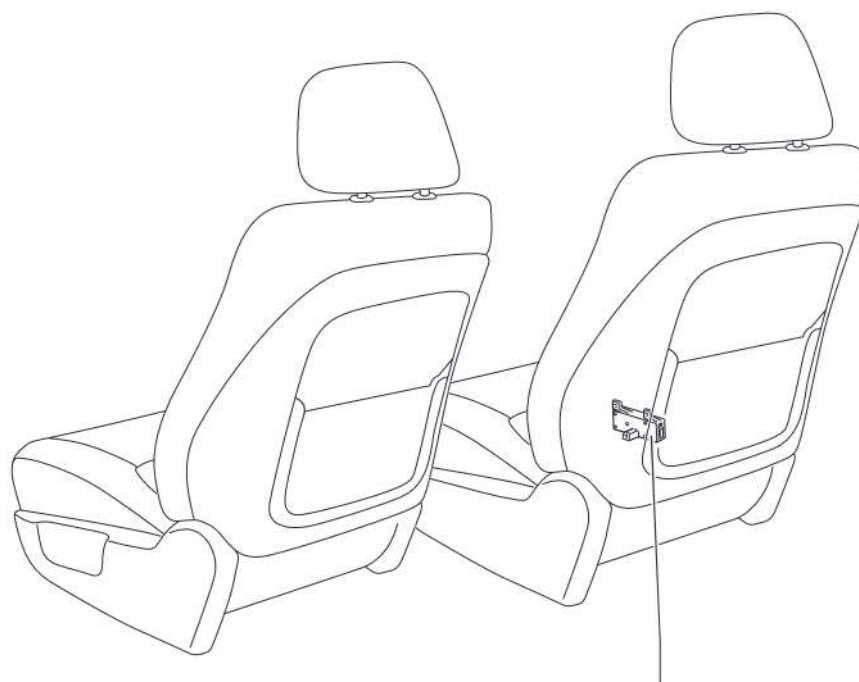
Front Position Control ECU and Switch Assembly RH

**[Seat]
(LHD)**



Front Position Control ECU and Switch Assembly LH

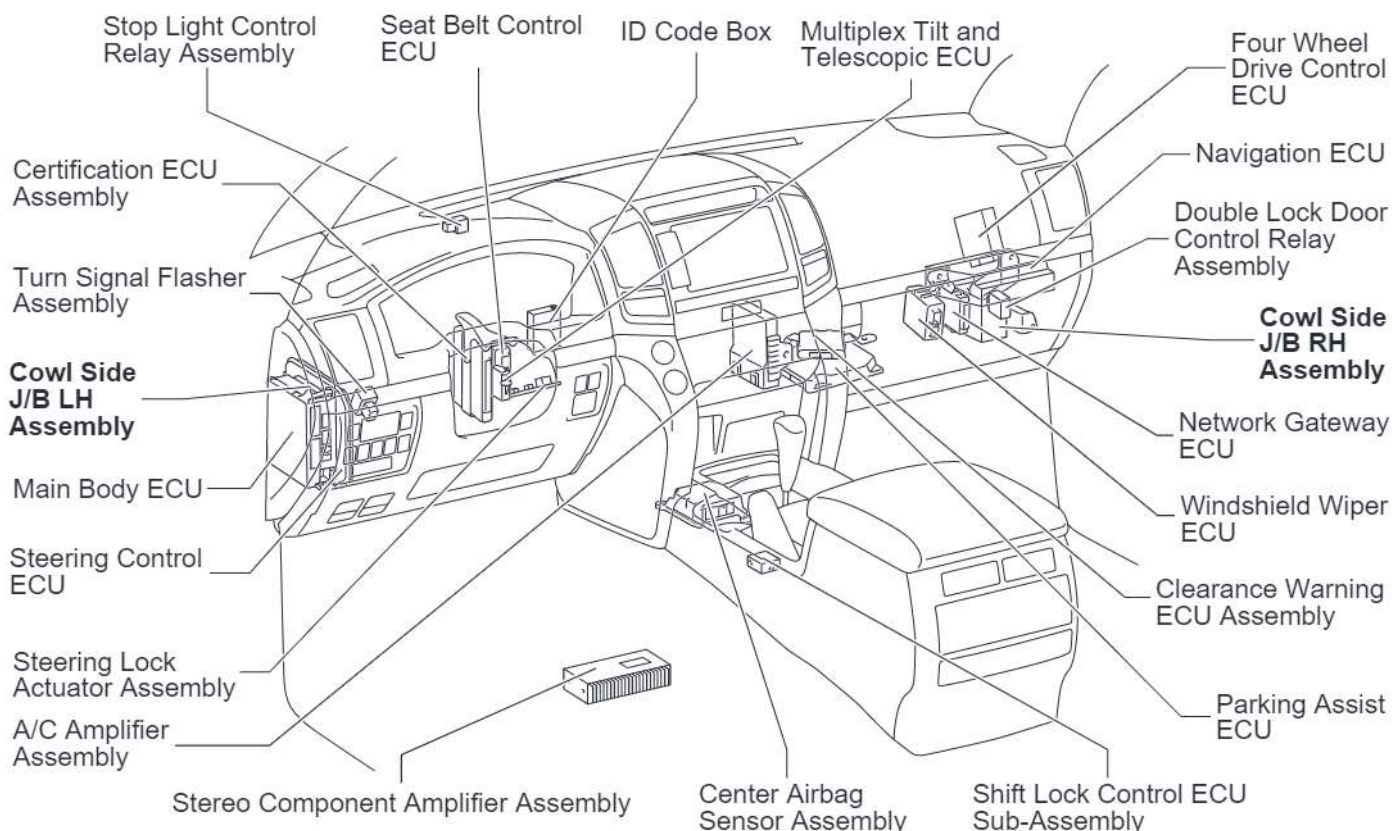
(RHD)



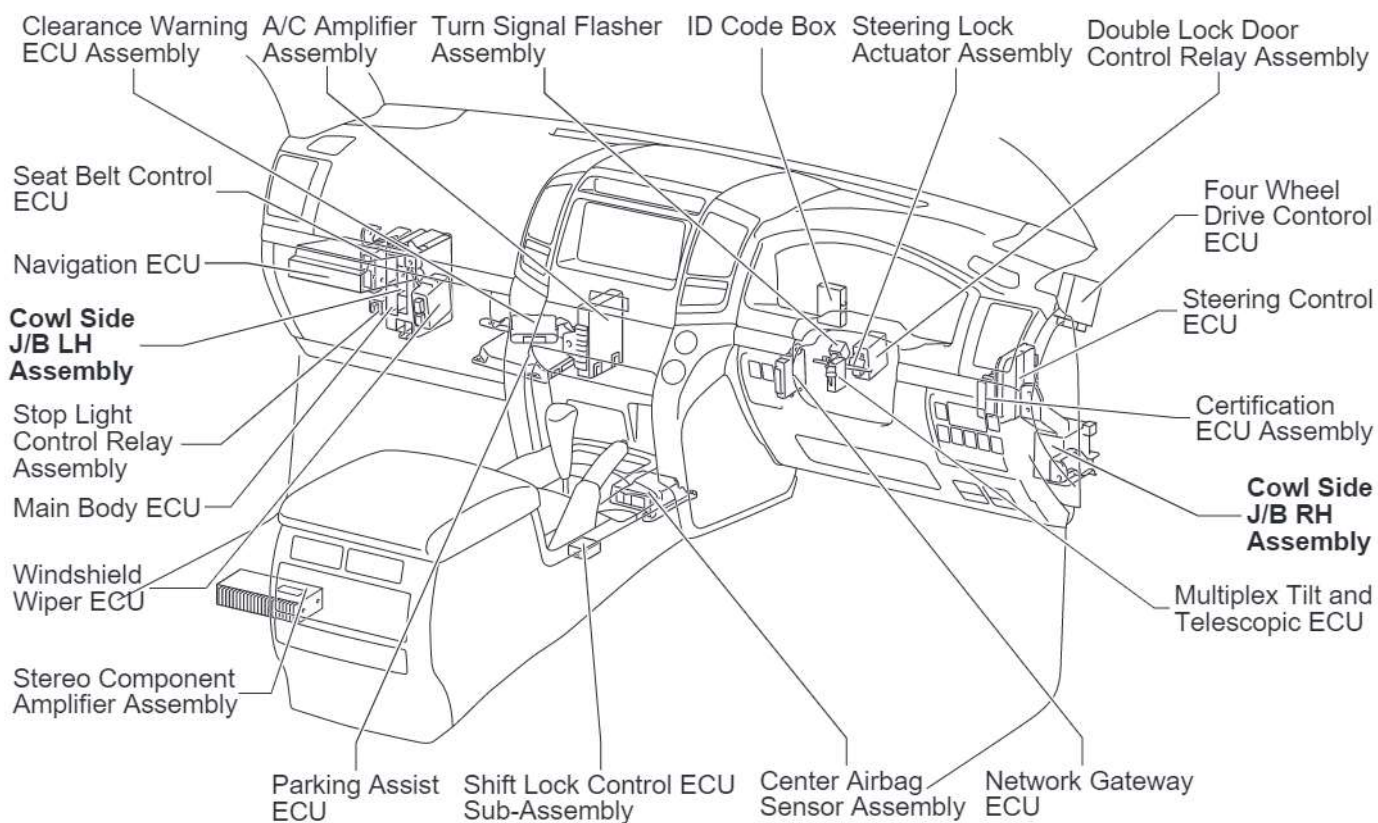
Front Position Control ECU and Switch Assembly RH

[Instrument Panel]

(LHD)

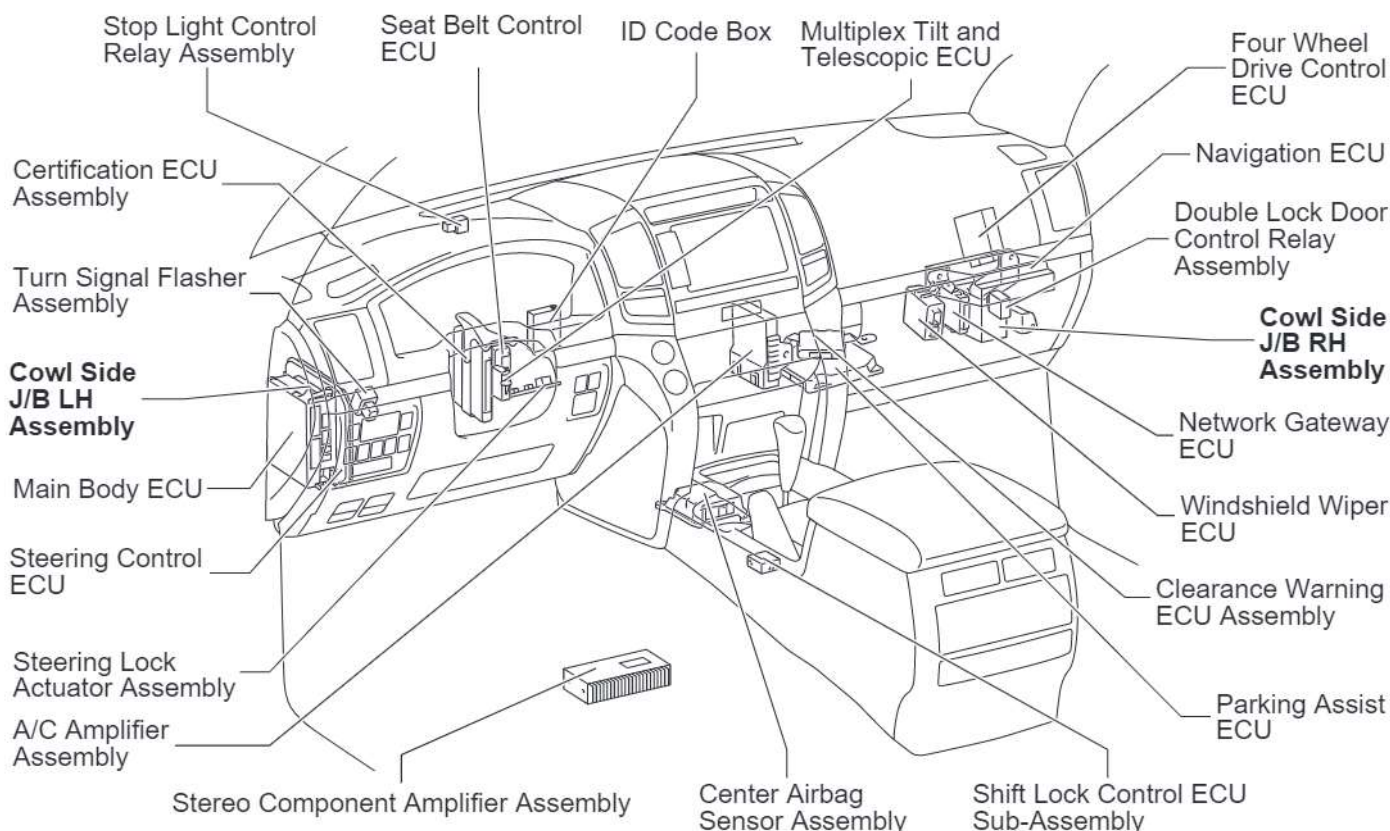


(RHD)

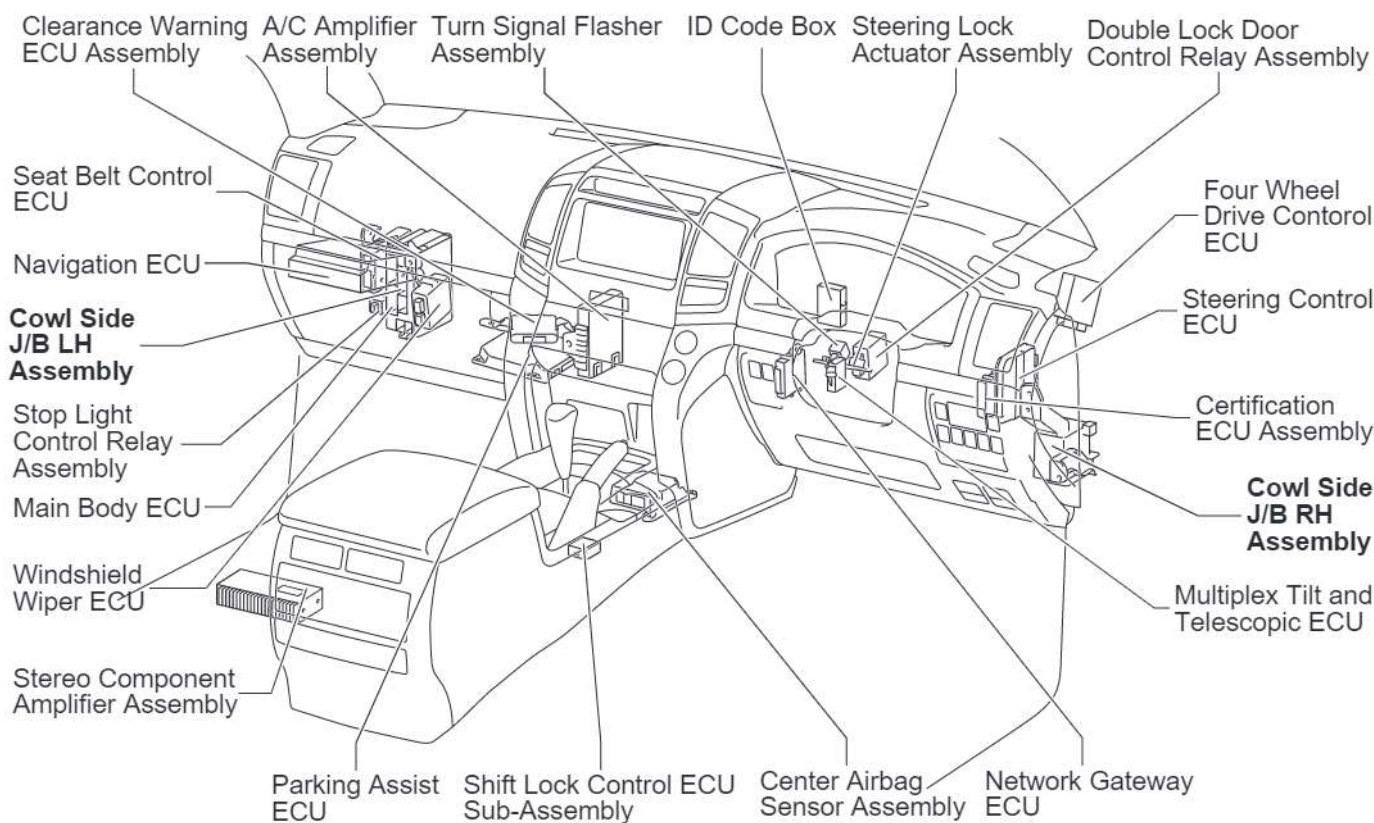


[Instrument Panel]

(LHD)



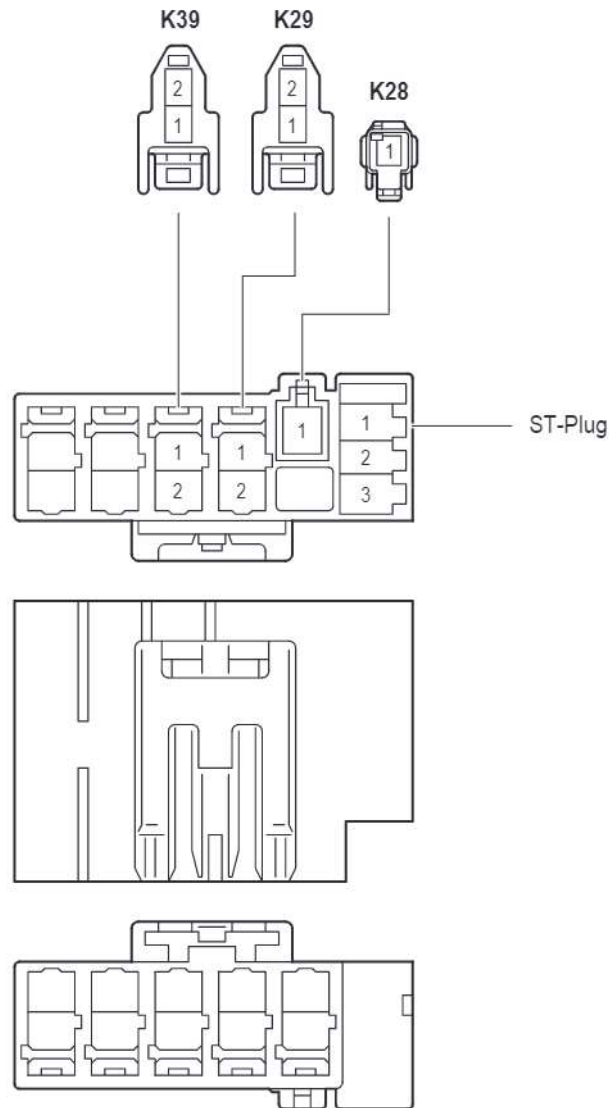
(RHD)



F RELAY LOCATIONS

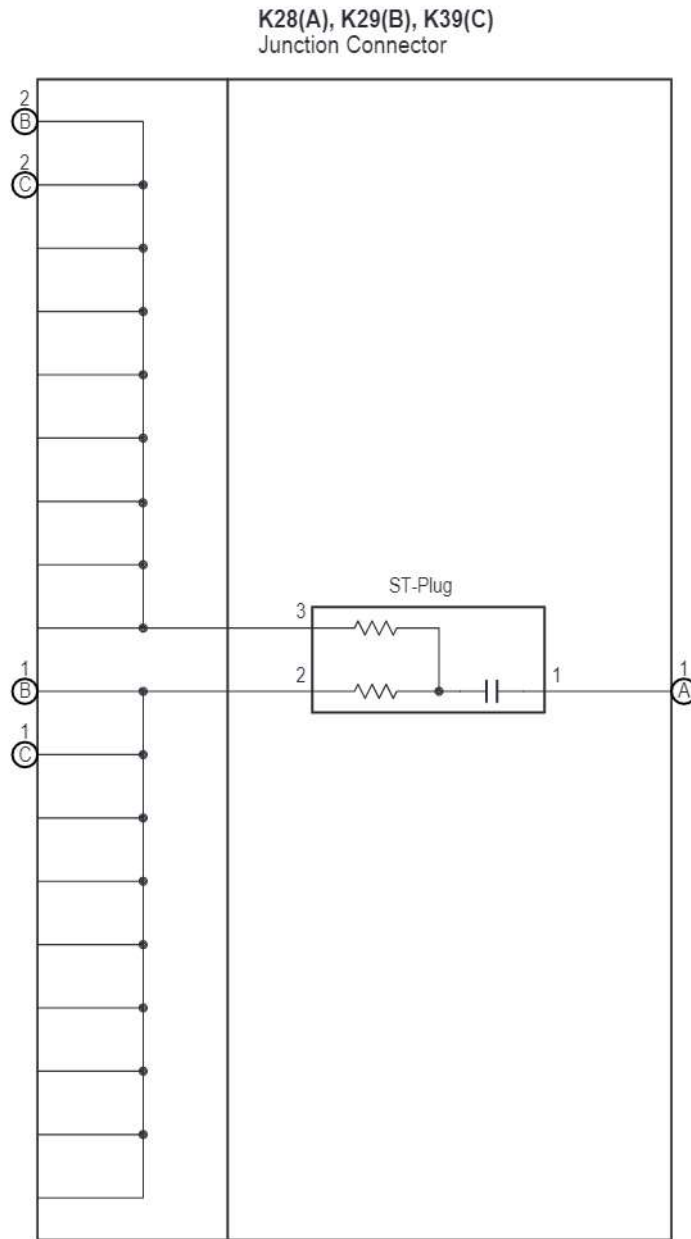
Junction Connector (CAN No.1)

Left Luggage Compartment (See Page 22)



cardiagn.com

[Junction Connector (CAN No.1) Inner Circuit]

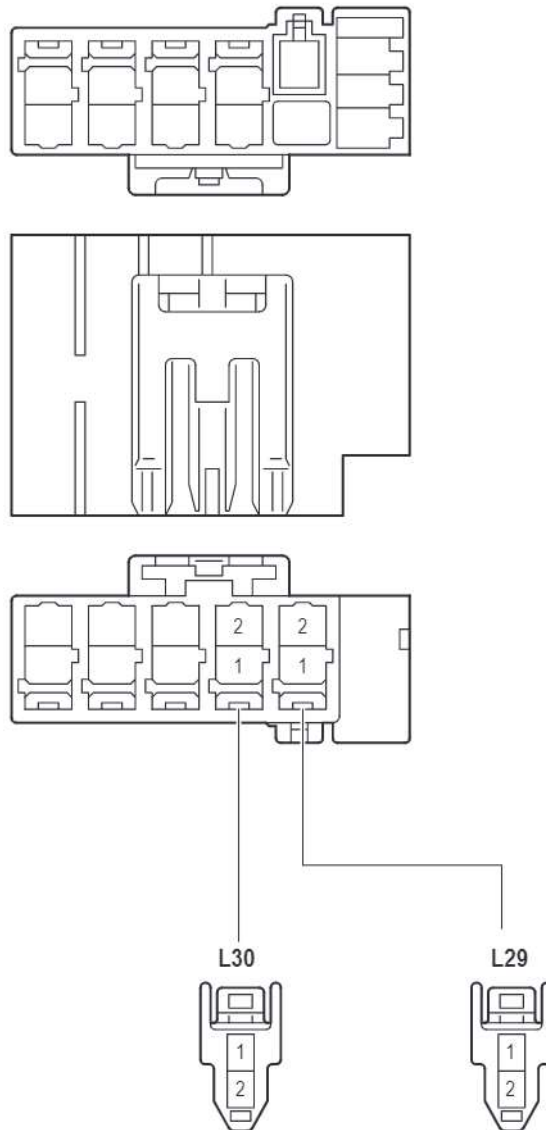


cardiagn.com

F RELAY LOCATIONS

Junction Connector (CAN No.2)

Right Luggage Compartment (See Page 22)



cardiagn.com

[Junction Connector (CAN No.2) Inner Circuit]