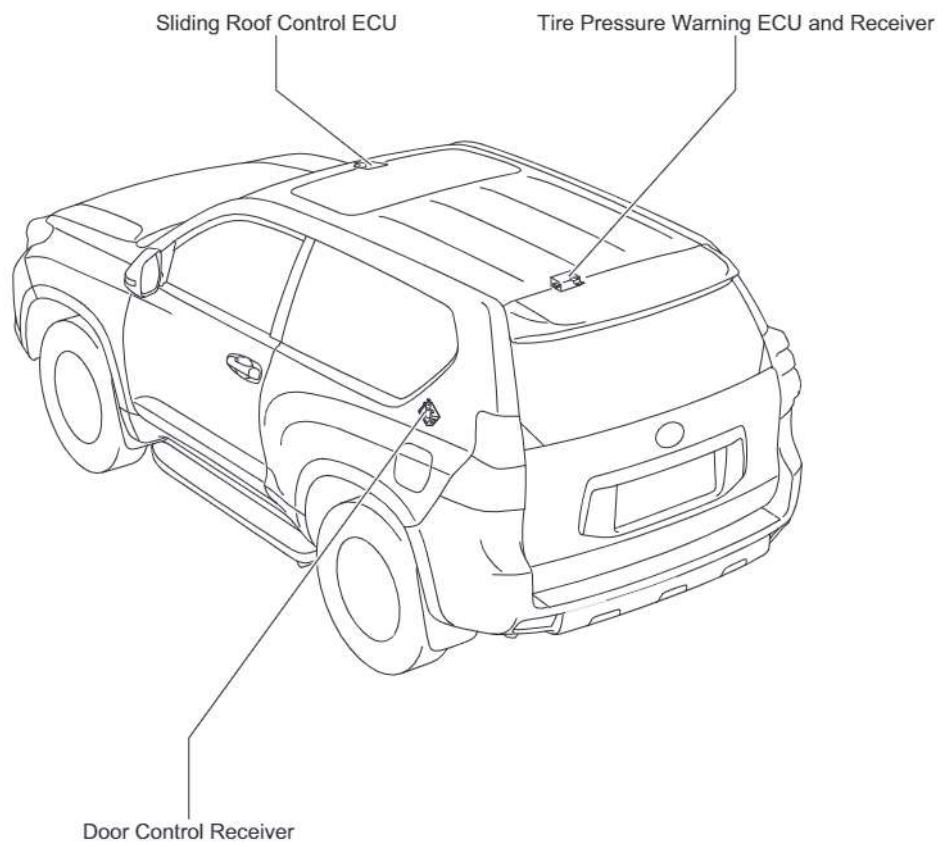
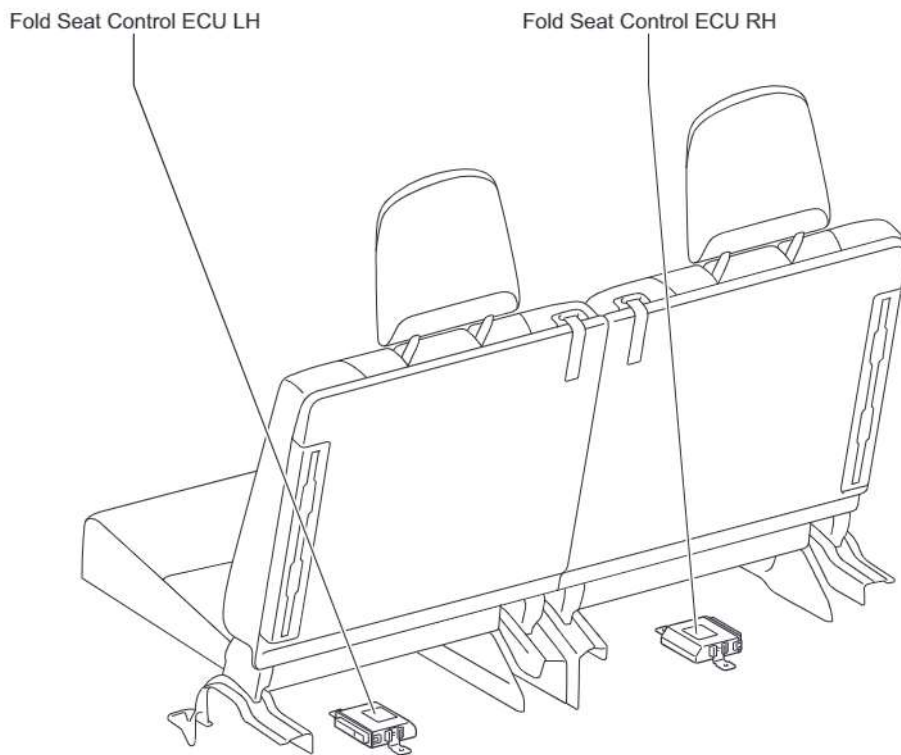


(3-Door)



cardiagn.com

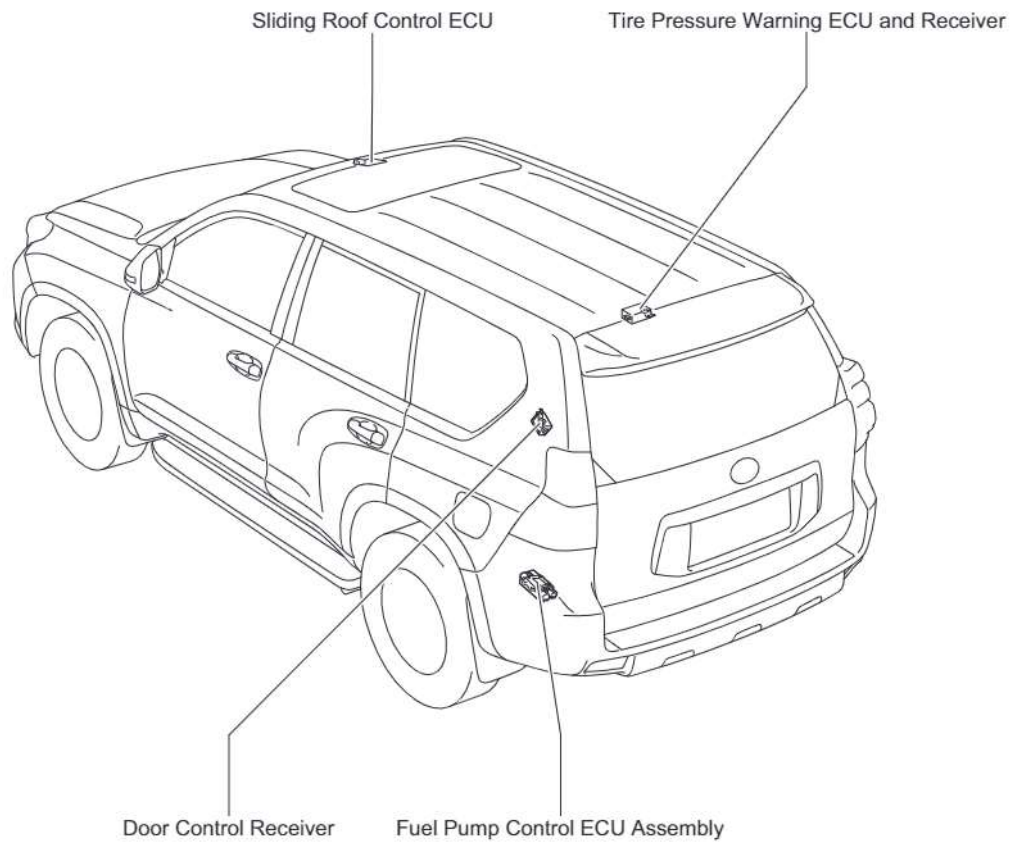
(Rear No. 2 Seat)



cardiagn.com

F RELAY LOCATIONS

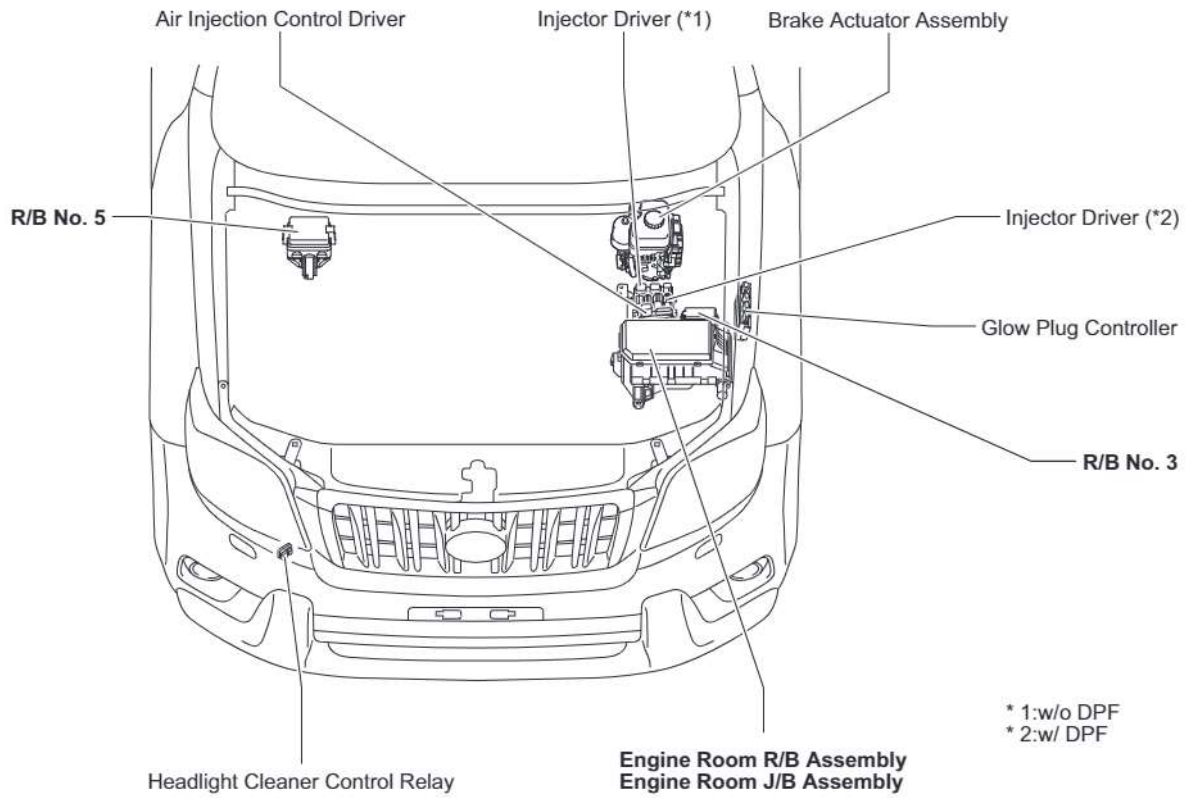
[Body]
(5-Door)



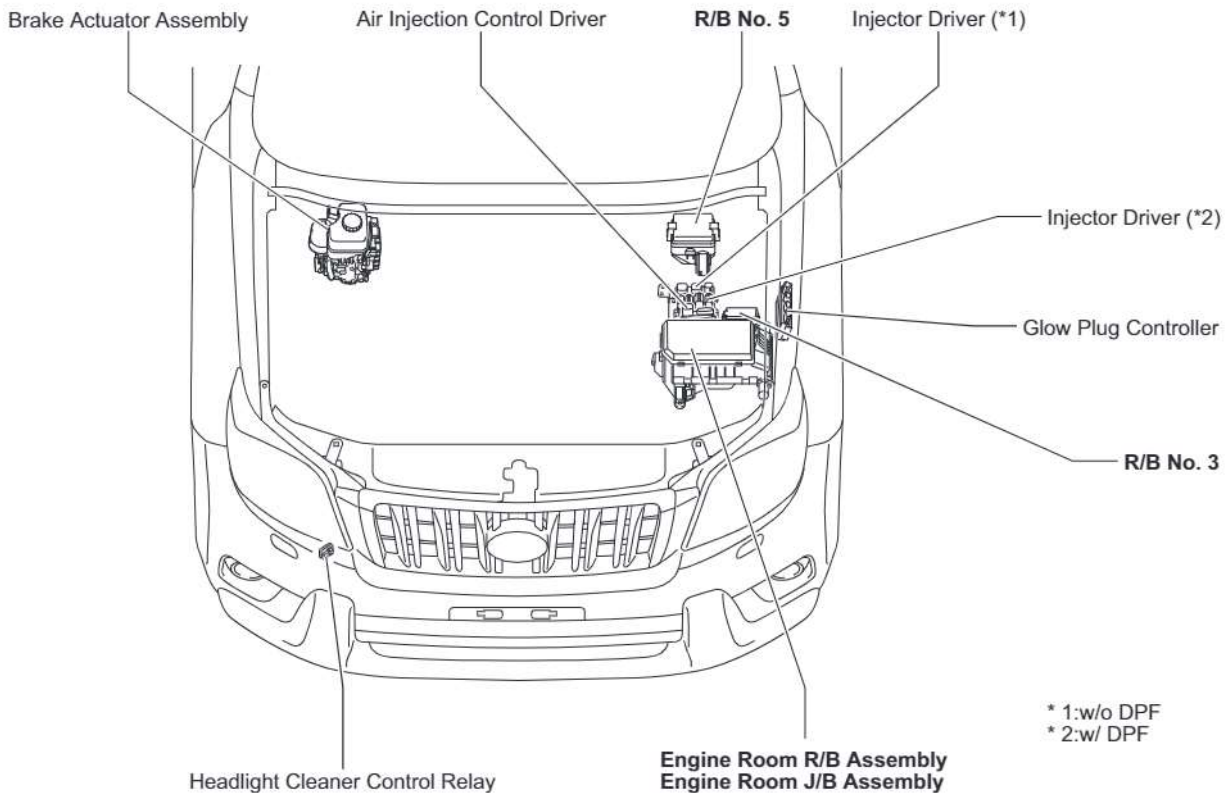
cardiagn.com

F RELAY LOCATIONS

[Engine Compartment] (LHD)

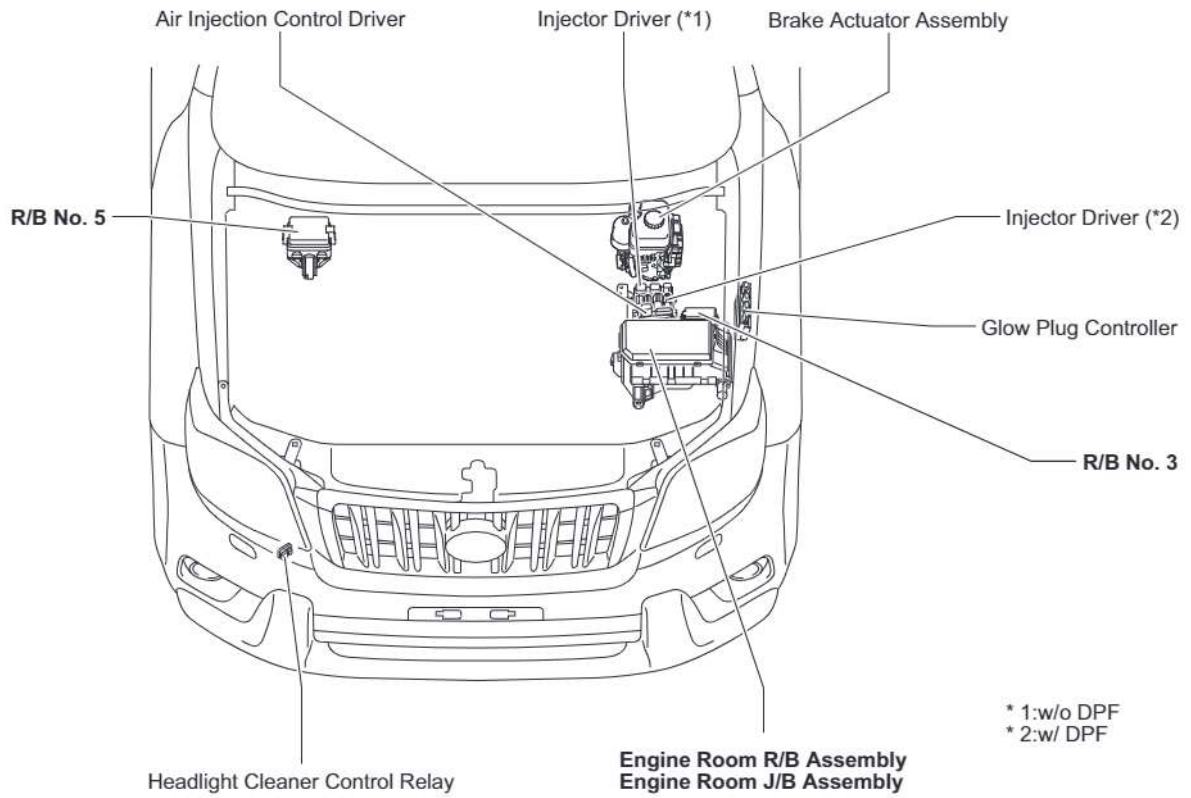


(RHD)

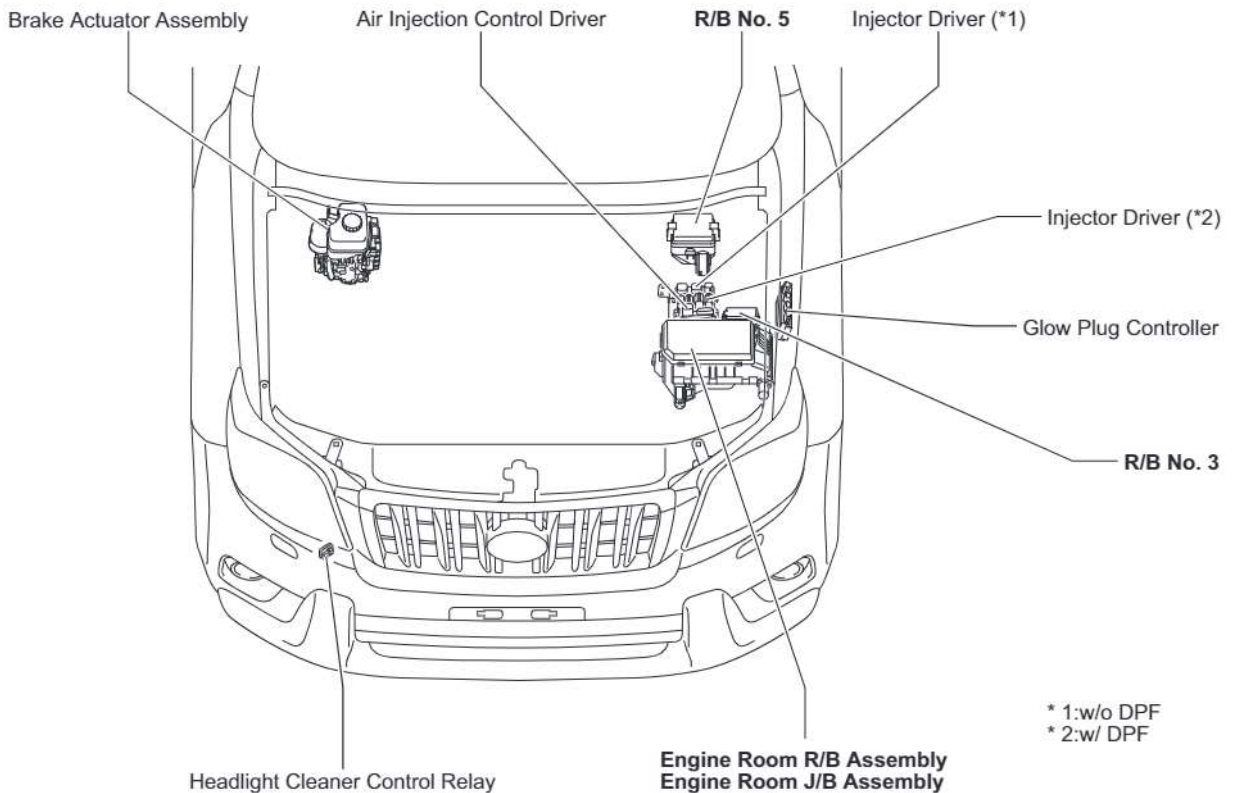


F RELAY LOCATIONS

[Engine Compartment] (LHD)



(RHD)



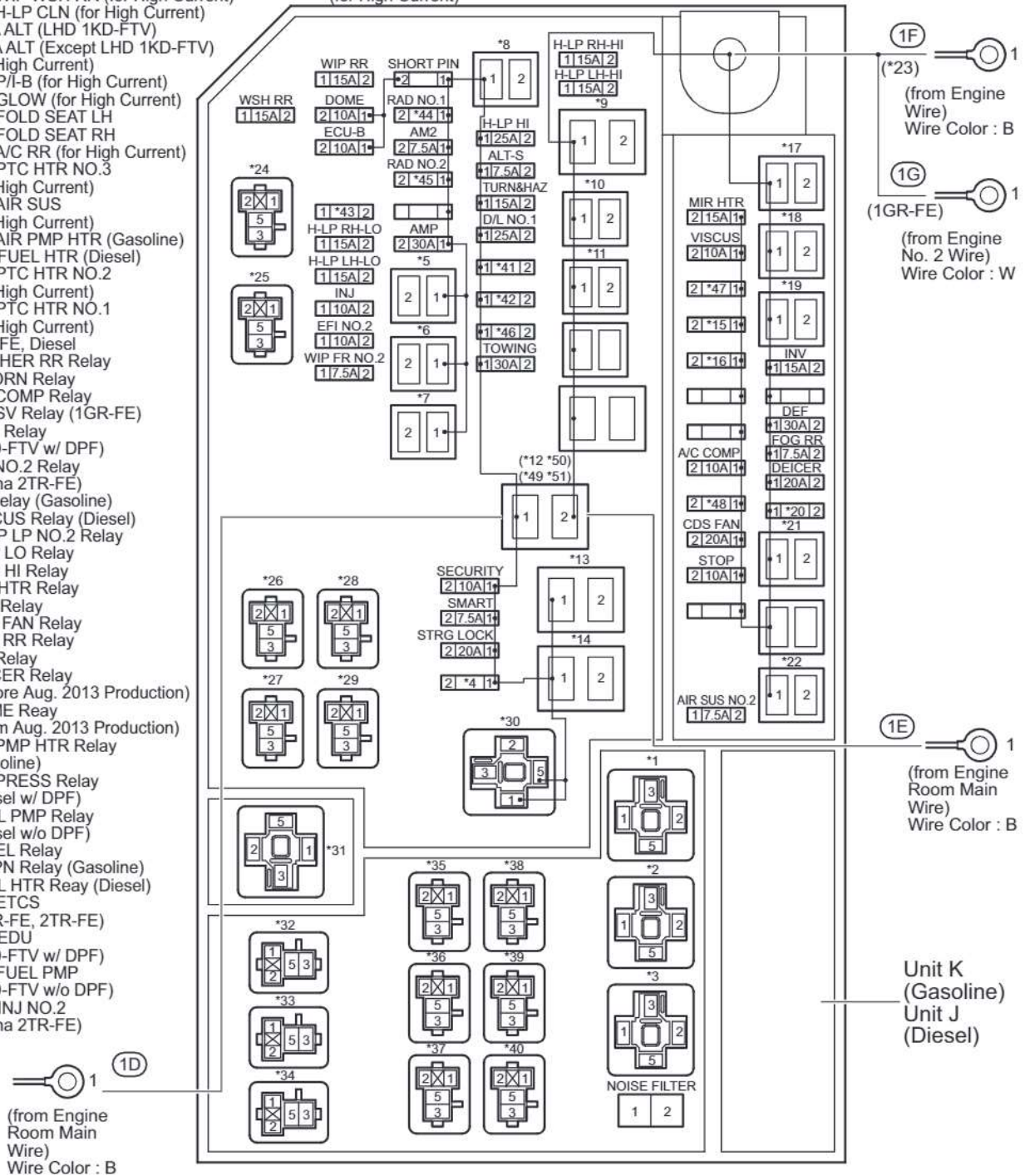
F RELAY LOCATIONS

① : Engine Room R/B Assembly	Front Fender Apron LH
○ : Engine Room J/B Assembly	

- * 1:ST Relay
- * 2:AIR SUS Relay
- * 3:GLOW Relay
- * 4:30A TOWING BRK
- * 5:50A ABS NO.1 (for High Current)
- * 6:30A ABS NO.2 (for High Current)
- * 7:50A AIR PMP (for High Current)
- * 8:30A ST (Gasoline)
40A ST (Diesel) (for High Current)
- * 9:50A HTR (for High Current)
- * 10:30A WIP WSH RR (for High Current)
- * 11:30A H-LP CLN (for High Current)
- * 12:140A ALT (LHD 1KD-FTV)
120A ALT (Except LHD 1KD-FTV) (for High Current)
- * 13:80A P/I-B (for High Current)
- * 14:80A GLOW (for High Current)
- * 15:30A FOLD SEAT LH
- * 16:30A FOLD SEAT RH
- * 17:40A A/C RR (for High Current)
- * 18:30A PTC HTR NO.3 (for High Current)
- * 19:50A AIR SUS (for High Current)
- * 20:10A AIR PMP HTR (Gasoline)
25A FUEL HTR (Diesel)
- * 21:30A PTC HTR NO.2 (for High Current)
- * 22:50A PTC HTR NO.1 (for High Current)
- * 23:2TR-FE, Diesel
- * 24:WASHER RR Relay
- * 25:S-HORN Relay
- * 26:A/C COMP Relay
- * 27:AI-VSV Relay (1GR-FE)
EDU Relay (1KD-FTV w/ DPF)
INJ NO.2 Relay (China 2TR-FE)
- * 28:ST Relay (Gasoline)
VISCUS Relay (Diesel)
- * 29:BKUP LP NO.2 Relay
- * 30:H-LP LO Relay
- * 31:H-LP HI Relay
- * 32:MIR HTR Relay
- * 33:DEF Relay
- * 34:CDS FAN Relay
- * 35:FOG RR Relay
- * 36:INV Relay
- * 37:DEICER Relay (Before Aug. 2013 Production)
DOME Reay (From Aug. 2013 Production)
- * 38:AIR PMP HTR Relay (Gasoline)
OIL PRESS Relay (Diesel w/ DPF)
FUEL PMP Relay (Diesel w/o DPF)
- * 39:PANEL Relay
- * 40:C/OPN Relay (Gasoline)
FUEL HTR Reay (Diesel)
- * 41:10A ETCS (1GR-FE, 2TR-FE)
20A EDU (1KD-FTV w/ DPF)
- * 42:15A FUEL PMP (1KD-FTV w/o DPF)
10A INJ NO.2 (China 2TR-FE)

- * 43:15A RAD NO.3 (From Aug. 2013 Production)
- * 44:15A (Before Aug. 2013 Production)
20A (From Aug. 2013 Production)
- * 45:10A (Before Aug. 2013 Production)
30A (From Aug. 2013 Production)
- * 46:10A DRL (From Aug. 2013 Production)
- * 47:20A S/HTR RR (From Aug. 2013 Production)
- * 48:10A STRG HTR (From Aug. 2013 Production)
- * 49:140A ALT (1GR-FE, 1KD-FTV)
120A ALT (2TR-FE, 5L-E) (for High Current)

- * 50:Before Aug. 2013 Production
- * 51:From Aug. 2013 Production

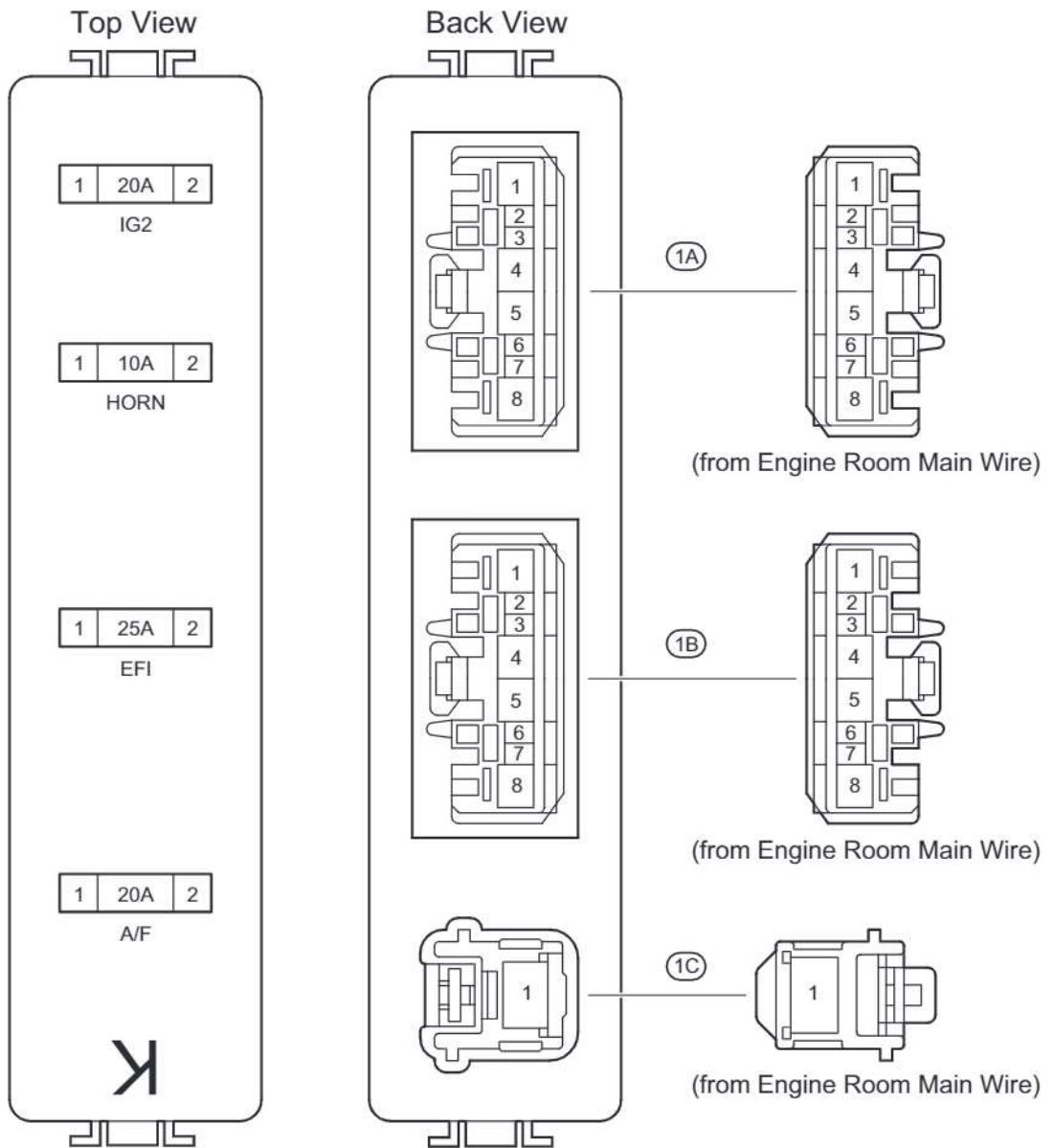


cardiagn.com

① : Engine Room R/B Assembly	Front Fender Apron LH
○ : Engine Room J/B Assembly	

(Gasoline)

Unit K



cardiagn.com

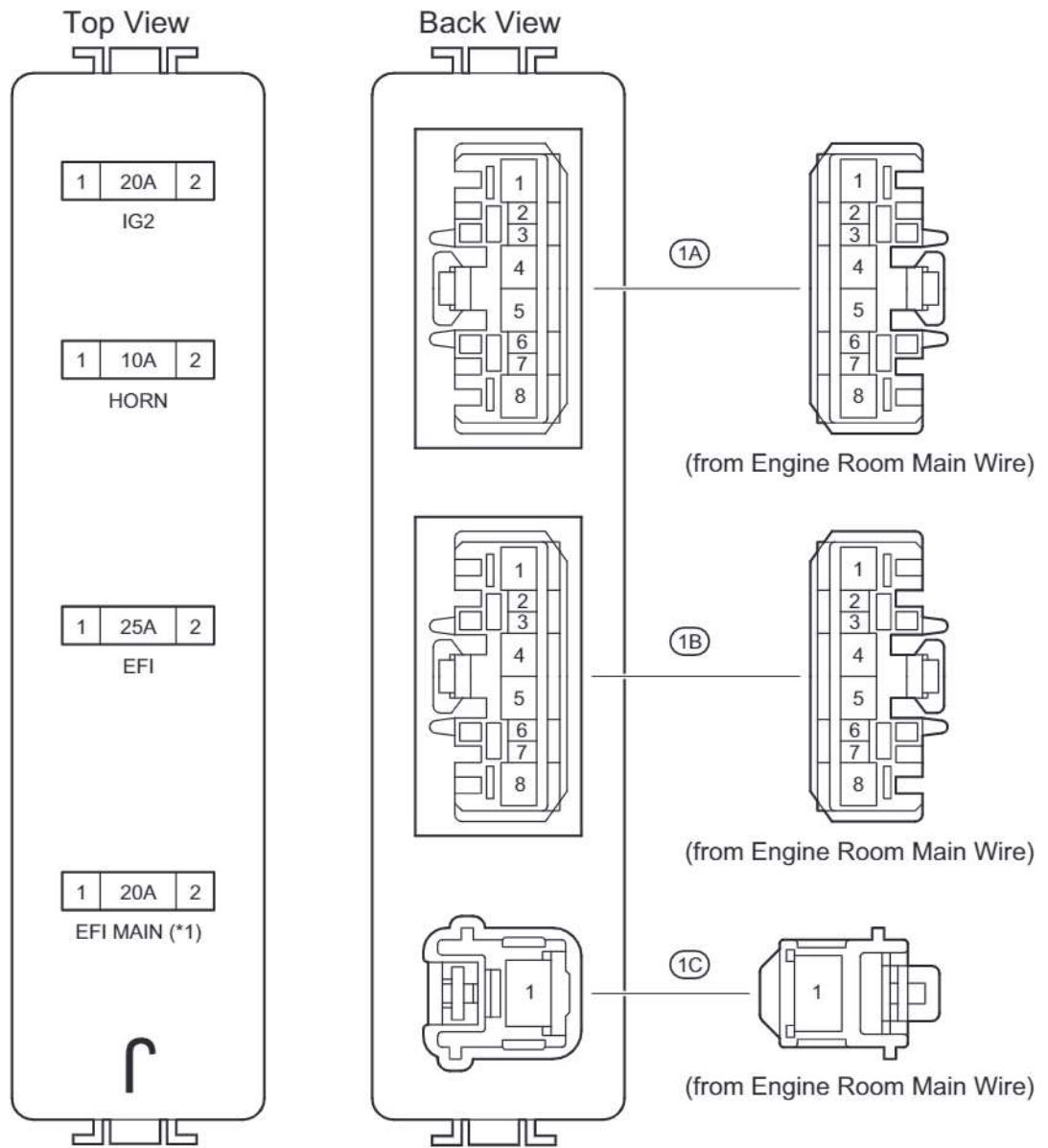
F RELAY LOCATIONS

① : Engine Room R/B Assembly	Front Fender Apron LH
○ : Engine Room J/B Assembly	

(Diesel)

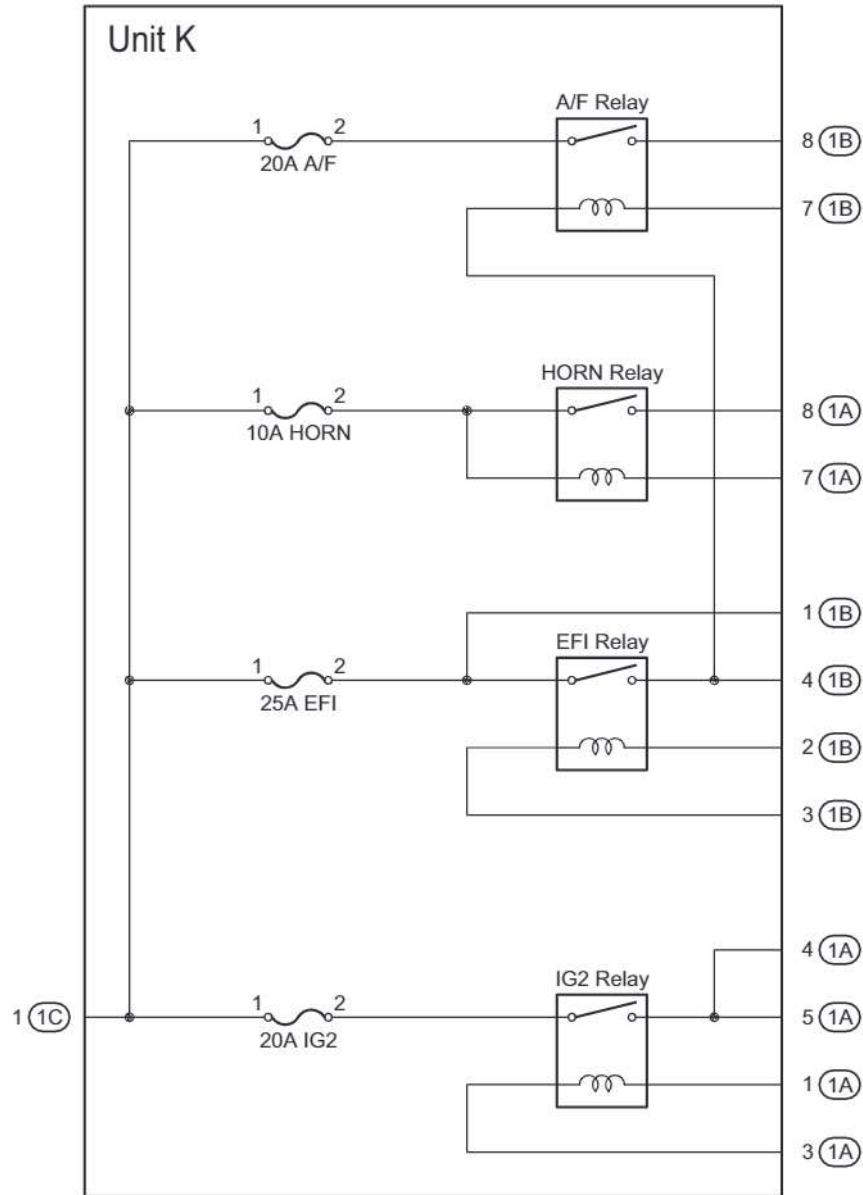
Unit J

* 1:w/ DPF



cardiagn.com

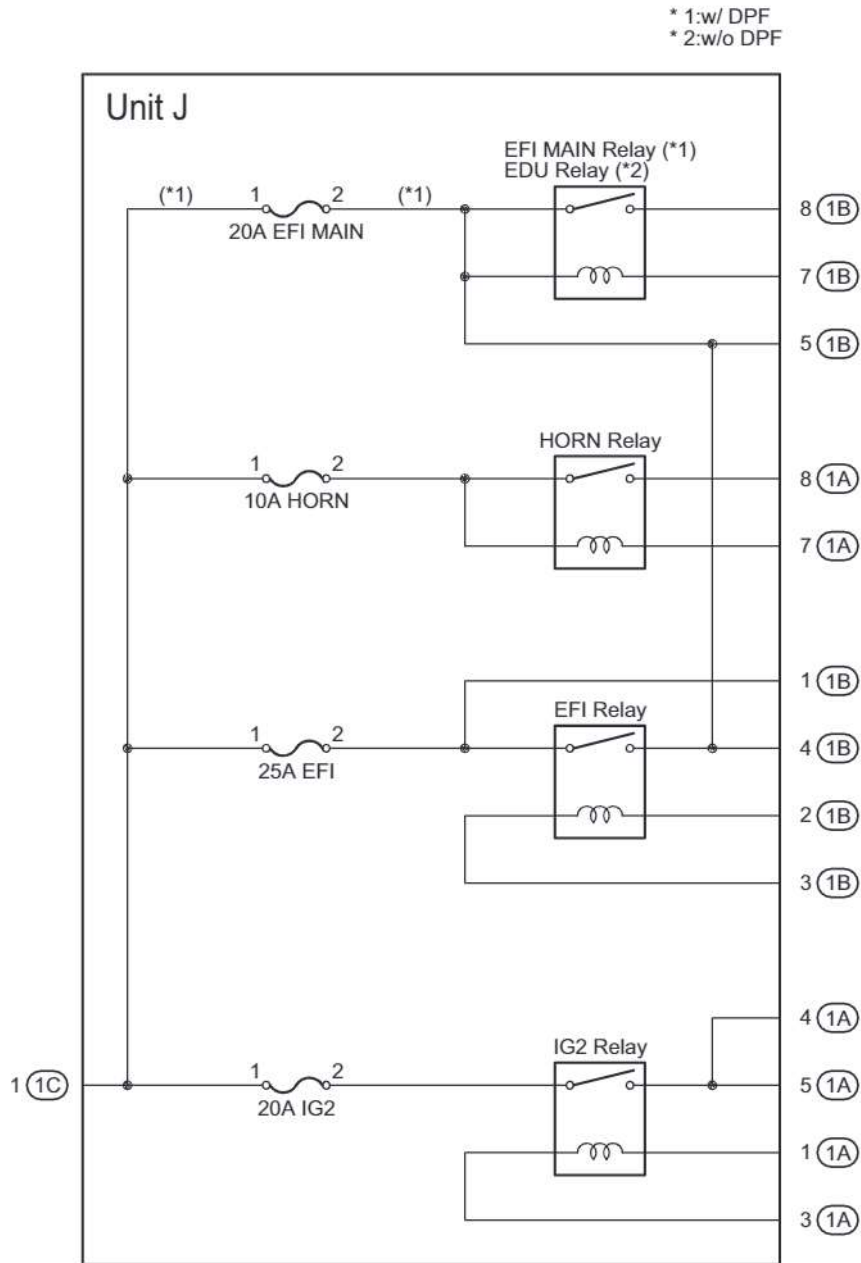
[Engine Room R/B Assembly and Engine Room J/B Assembly Inner Circuit]
(Gasoline)



cardiagn.com

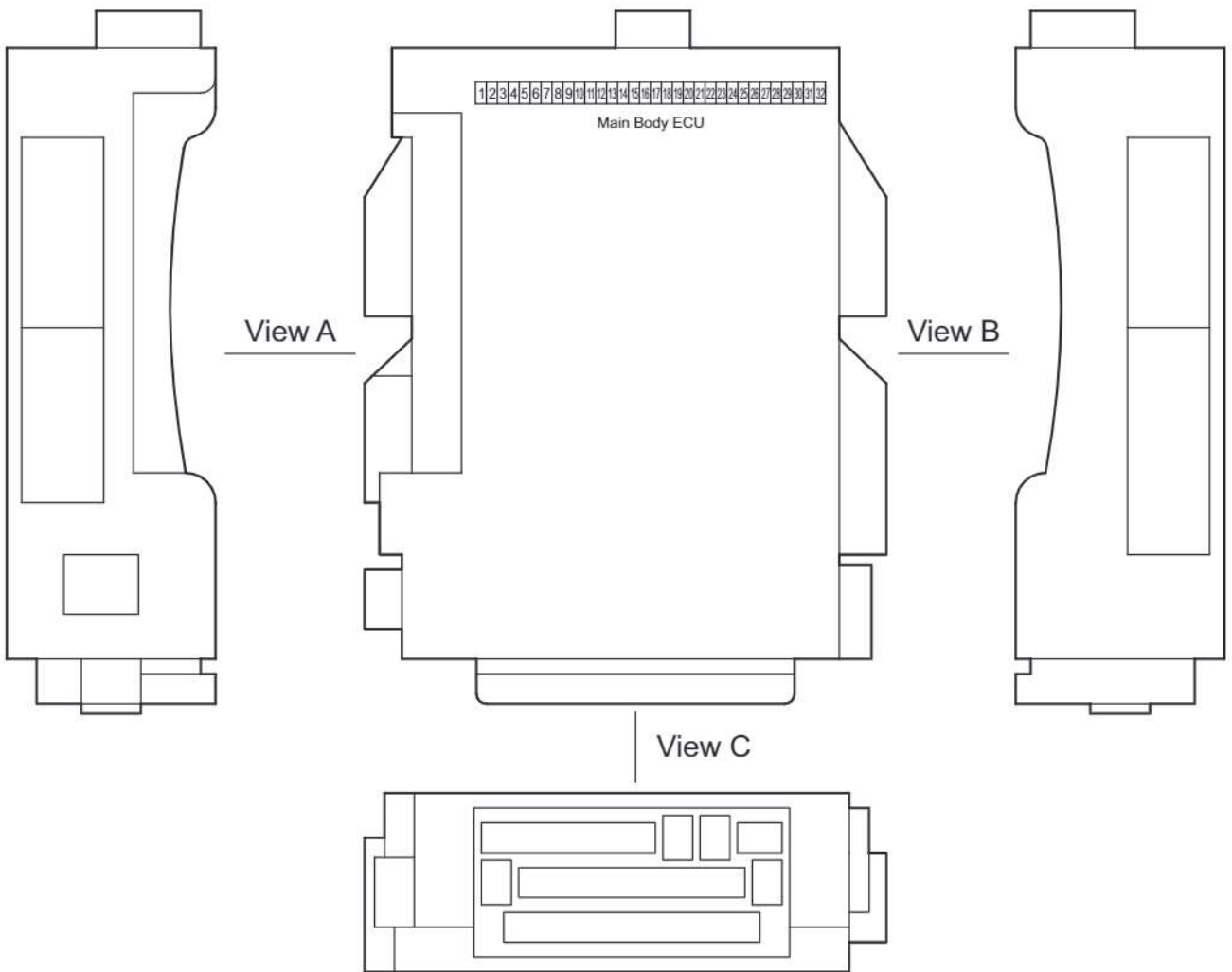
F RELAY LOCATIONS

[Engine Room R/B Assembly and Engine Room J/B Assembly Inner Circuit]
(Diesel)



cardiagn.com

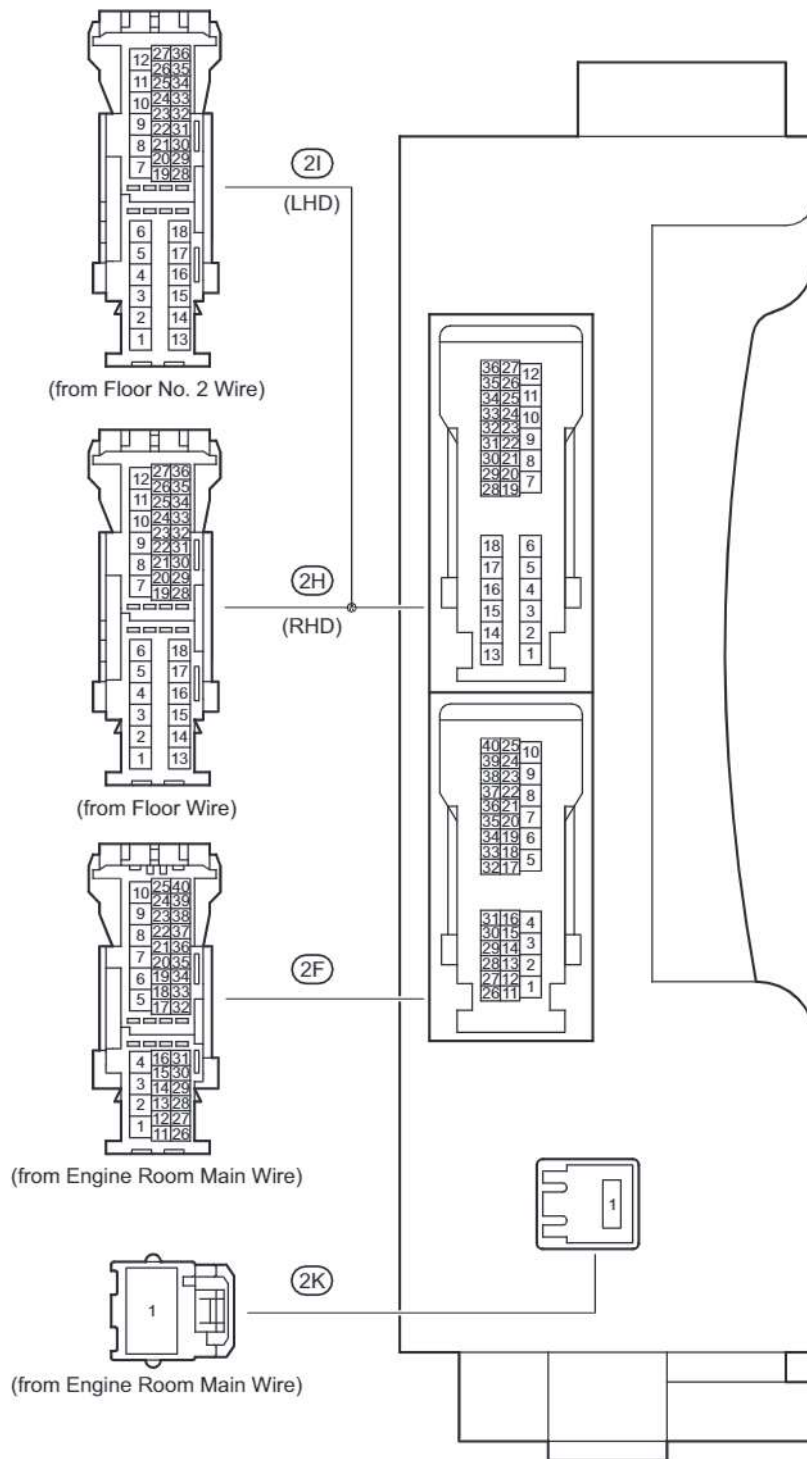
○ : Instrument Panel J/B Assembly	LHD : Cowl Side Panel LH
	RHD : Cowl Side Panel RH



cardiagn.com

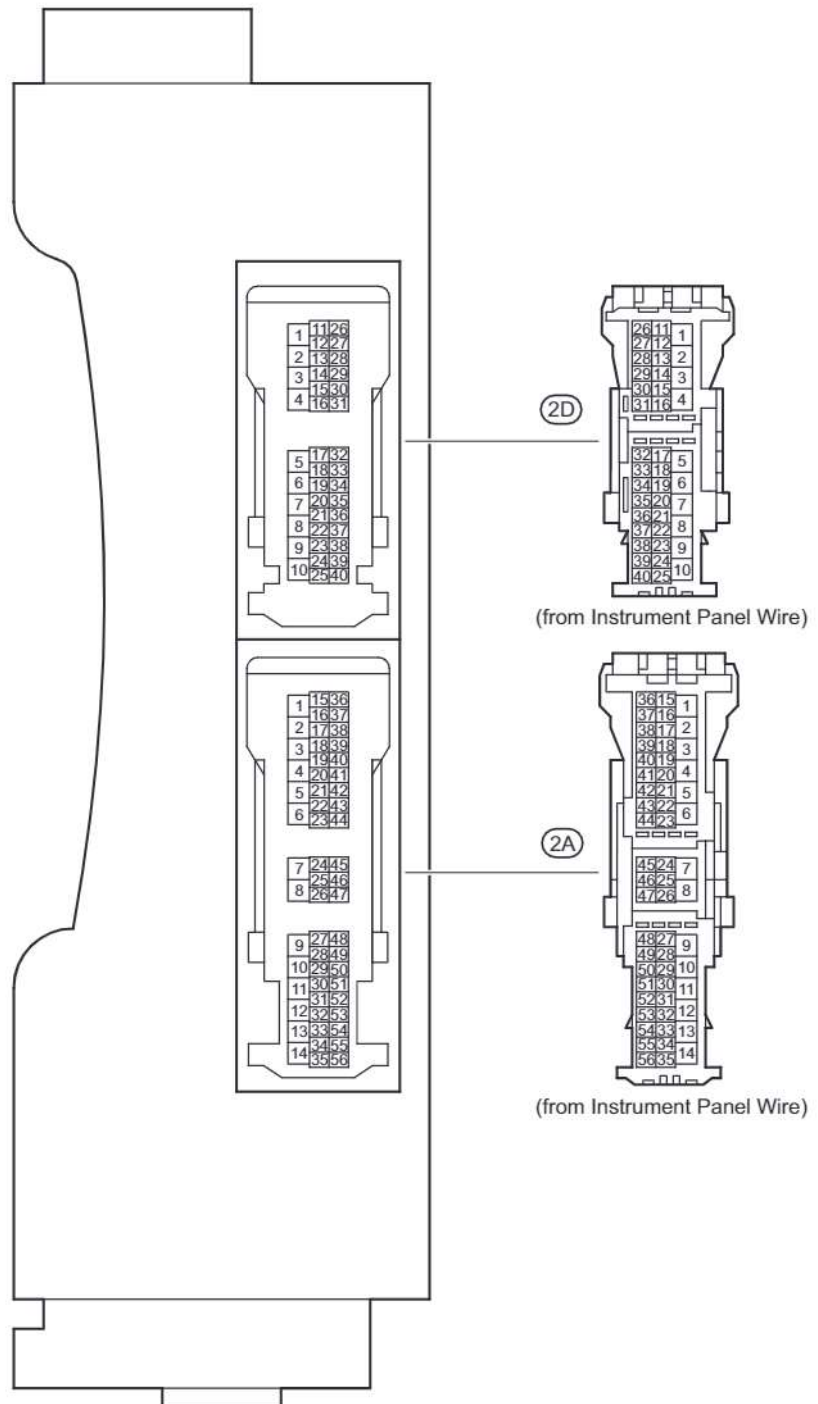
F RELAY LOCATIONS

View A



cardiagn.com

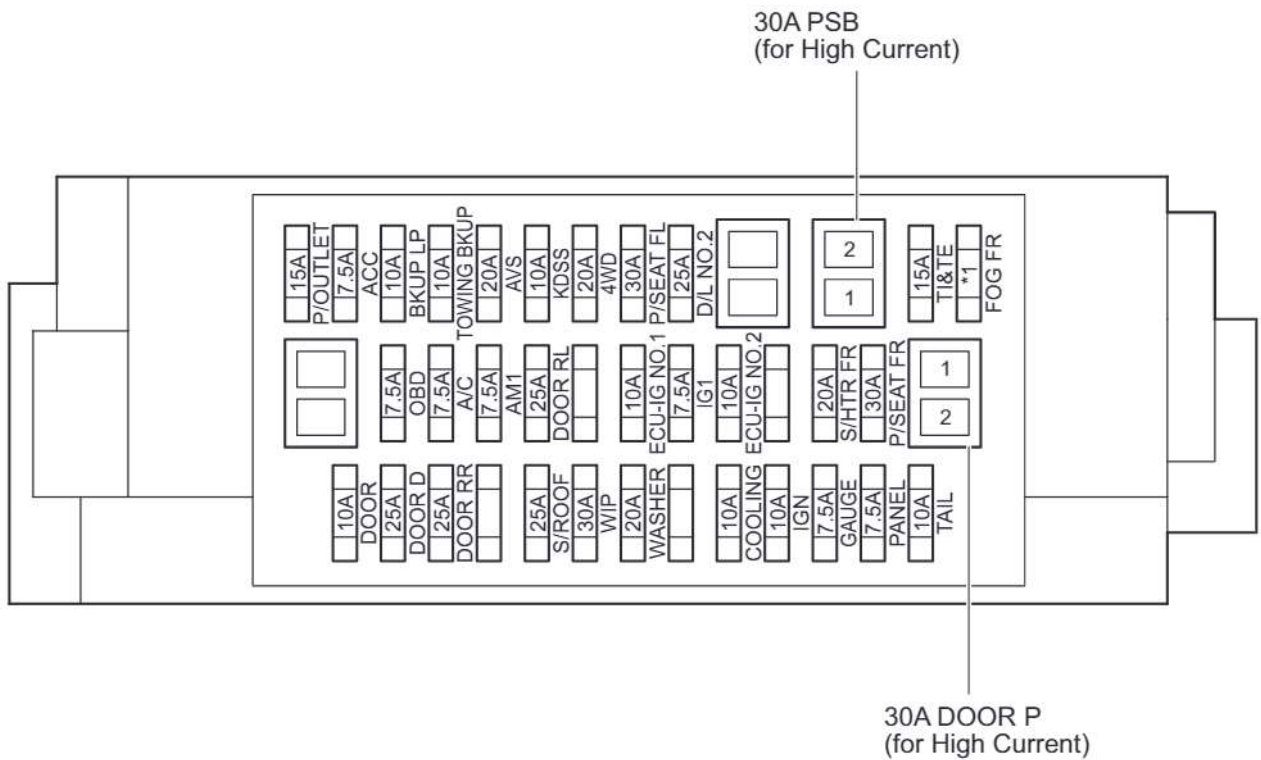
View B



F RELAY LOCATIONS

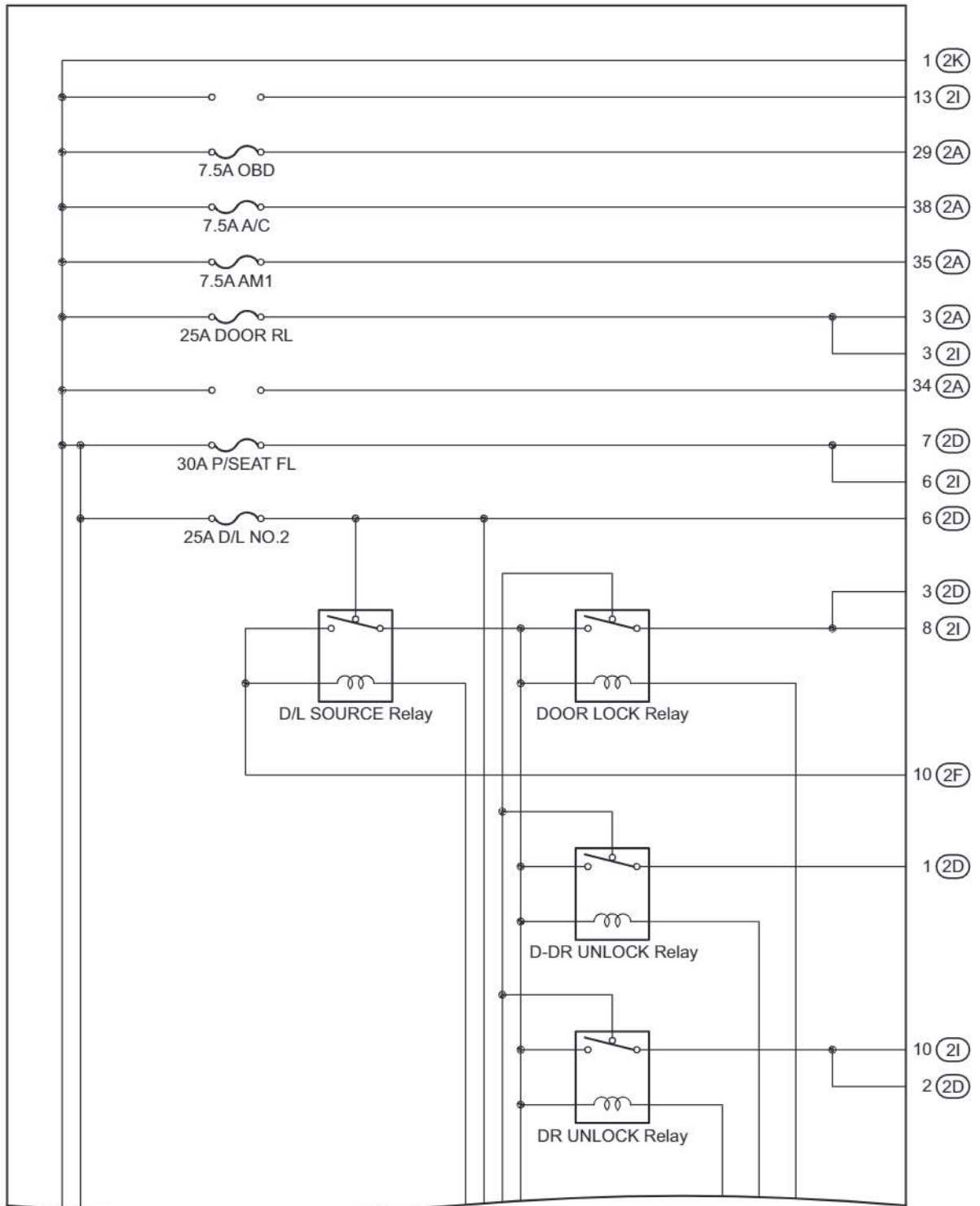
View C

* 1:15A (Before Aug. 2013 Production)
 10A (From Aug. 2013 Production)



cardiagn.com

[Instrument Panel J/B Assembly Inner Circuit]
(LHD)



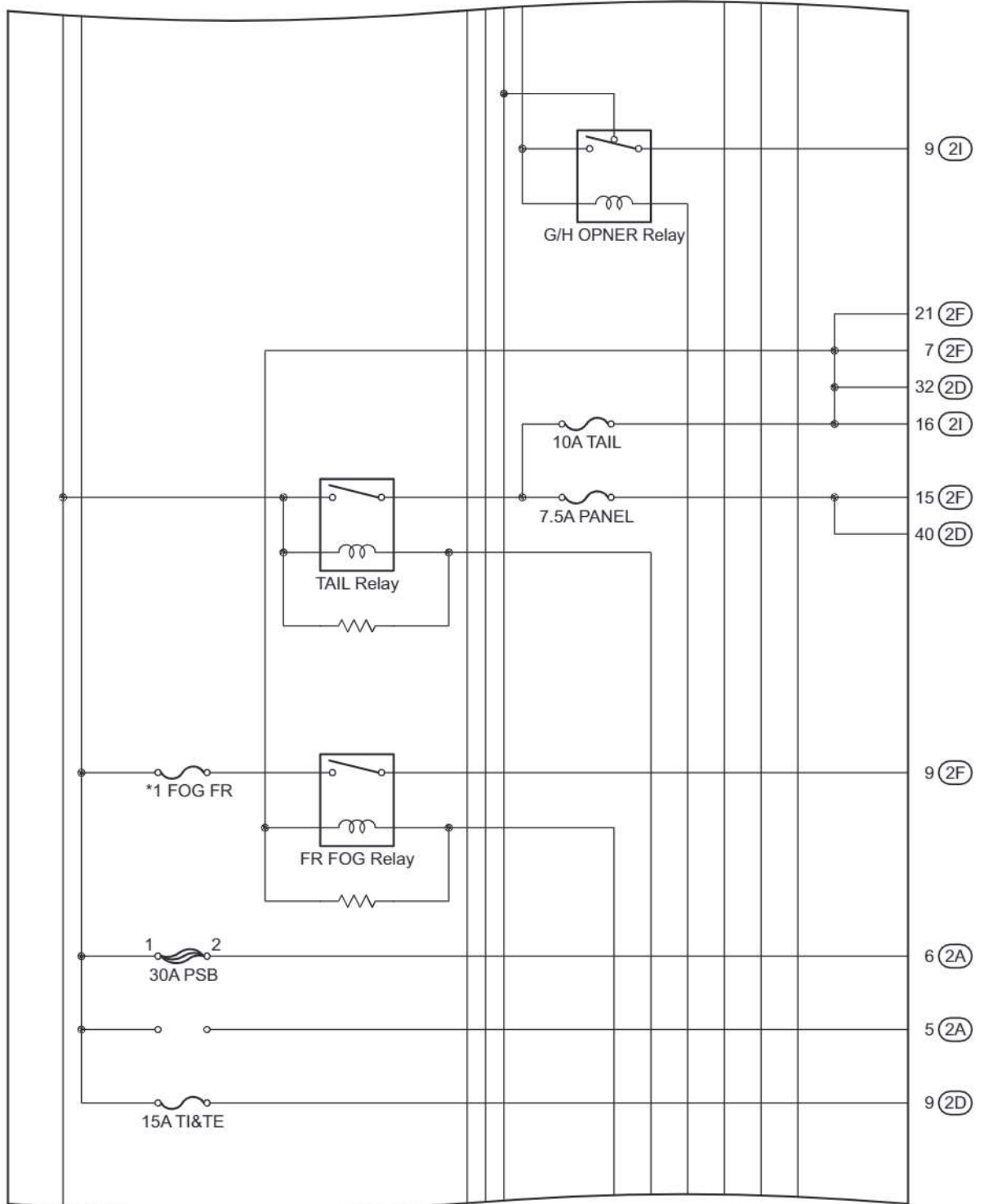
(Cont. Next Page)

cardiagn.com

F RELAY LOCATIONS

* 1:15A (Before Aug. 2013 Production)
10A (From Aug. 2013 Production)

(Cont'd)

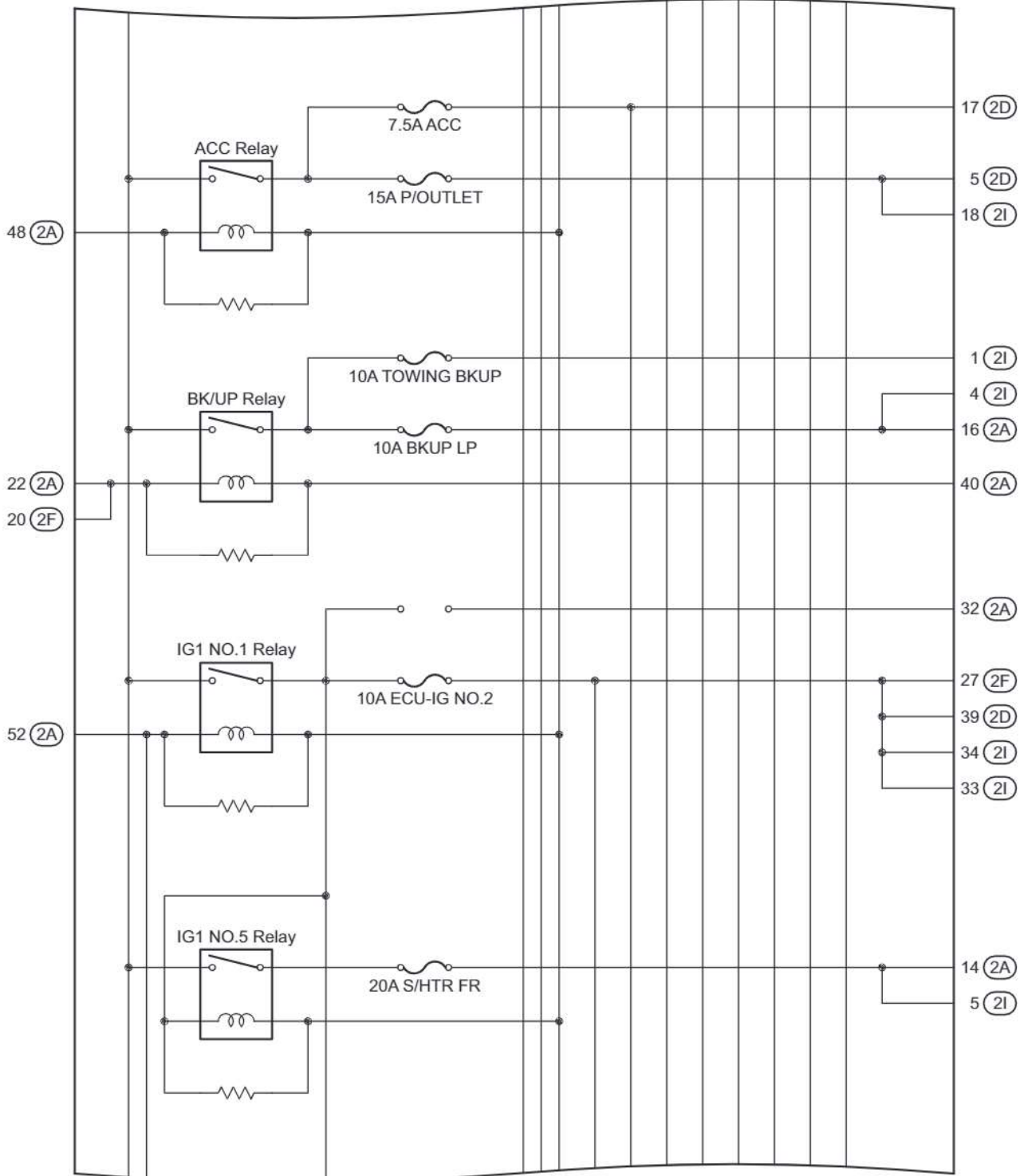


(Cont. Next Page)

cardiagn.com

[Instrument Panel J/B Assembly Inner Circuit]
(LHD)

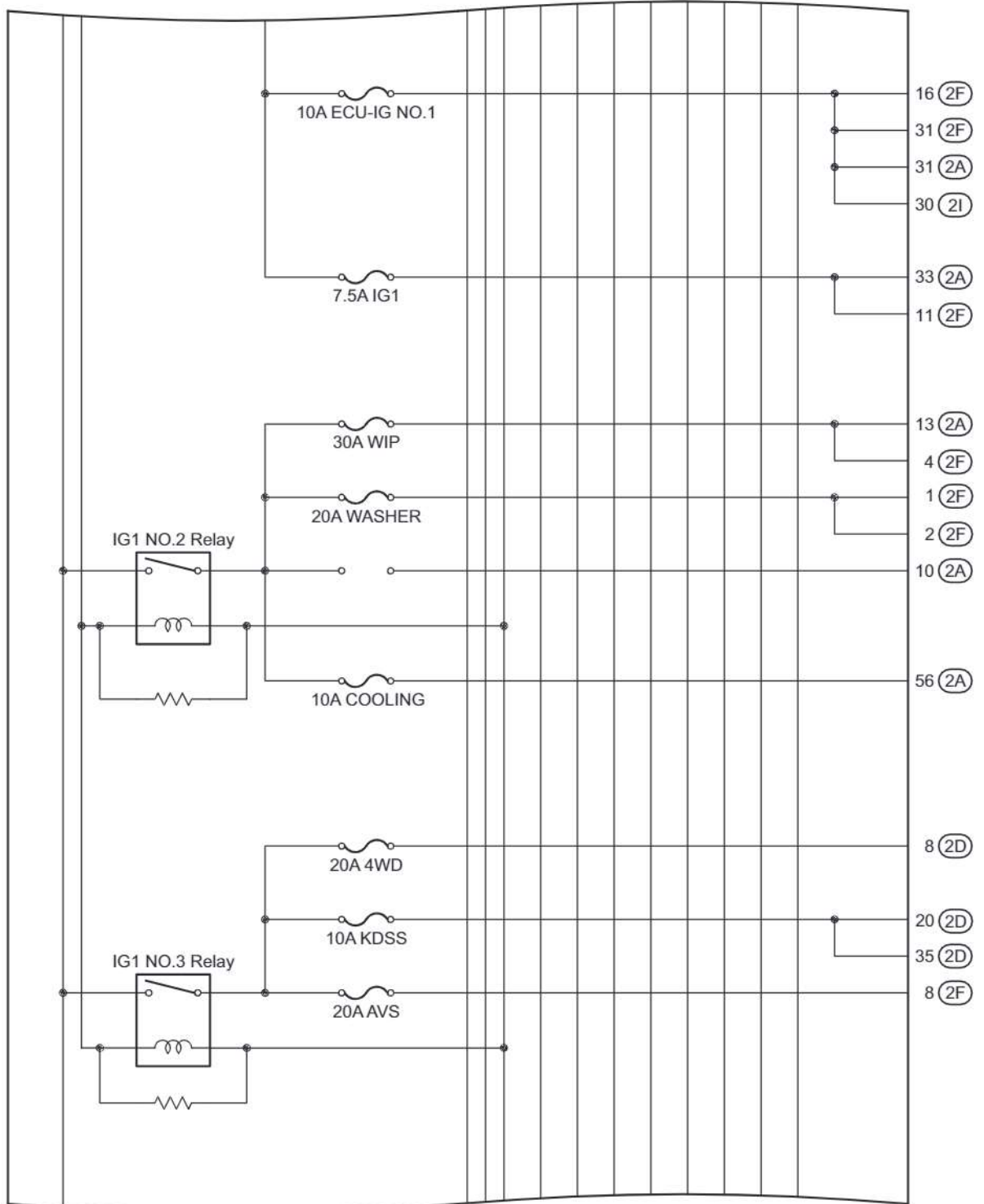
(Cont'd)



(Cont. Next Page)

F RELAY LOCATIONS

(Cont'd)

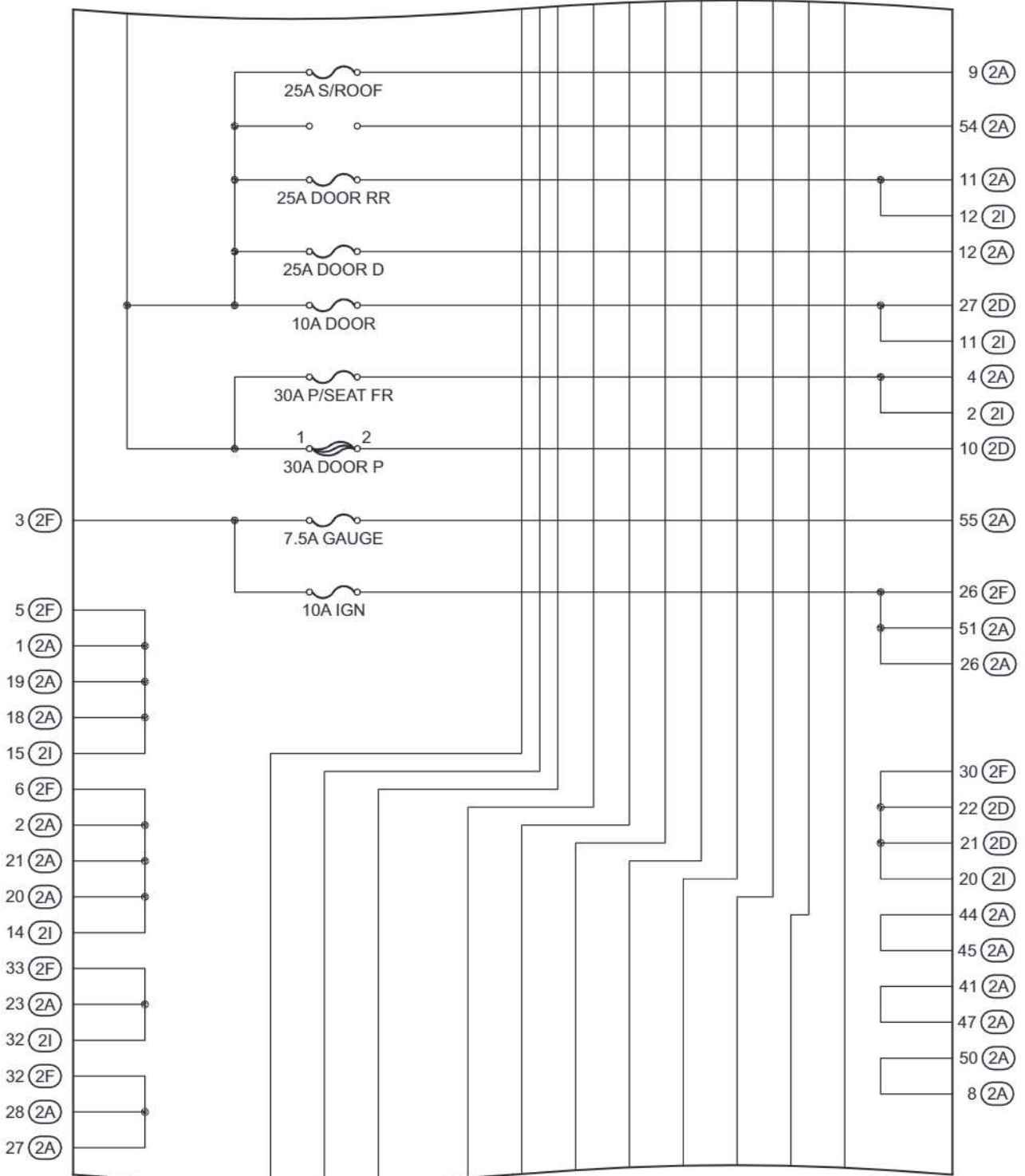


(Cont. Next Page)

cardiagn.com

[Instrument Panel J/B Assembly Inner Circuit] (LHD)

(Cont'd)



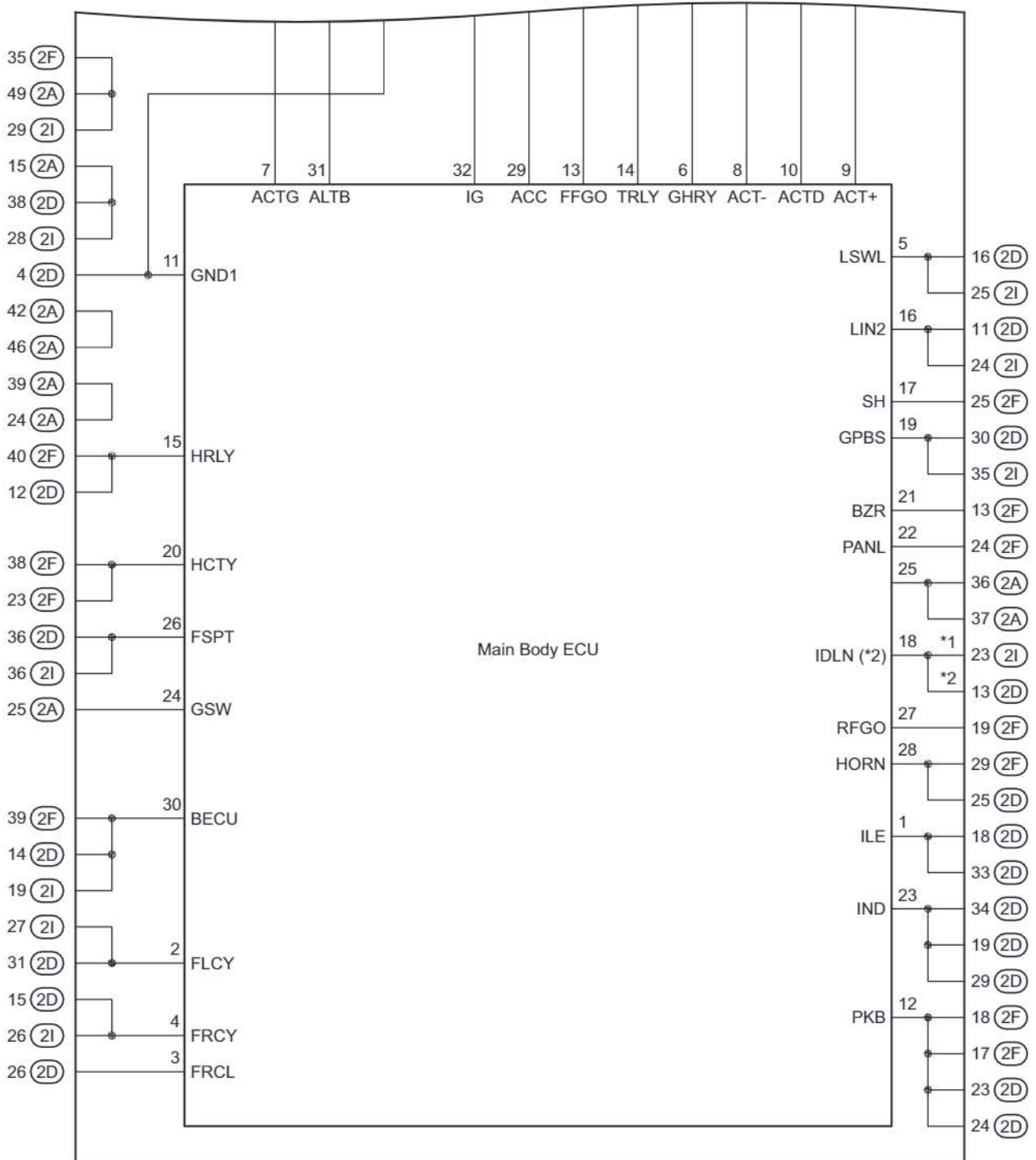
(Cont. Next Page)

cardiagn.com

F RELAY LOCATIONS

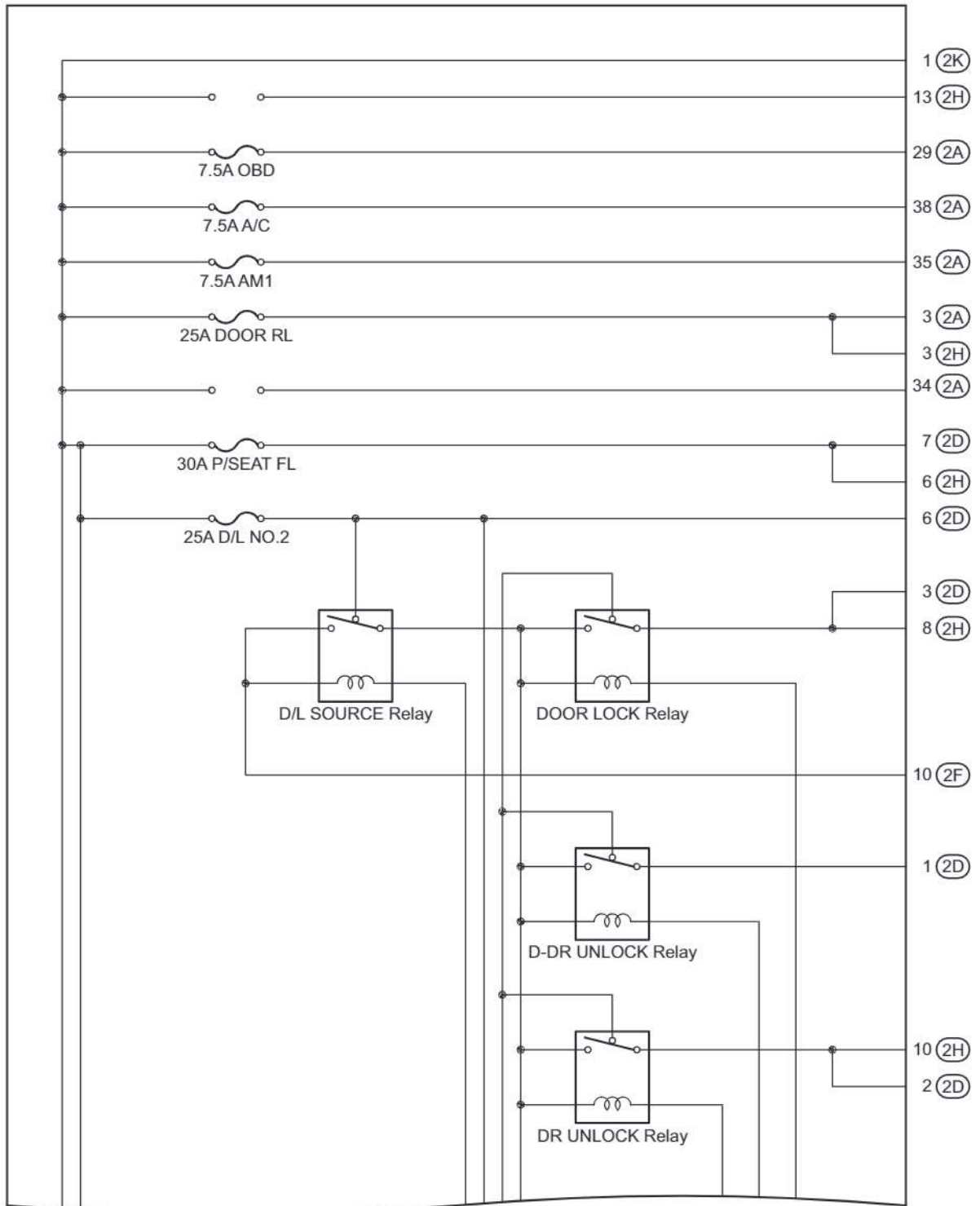
* 1: Before Aug. 2013 Production
 * 2: From Aug. 2013 Production

(Cont'd)



cardiagn.com

[Instrument Panel J/B Assembly Inner Circuit]
(RHD)



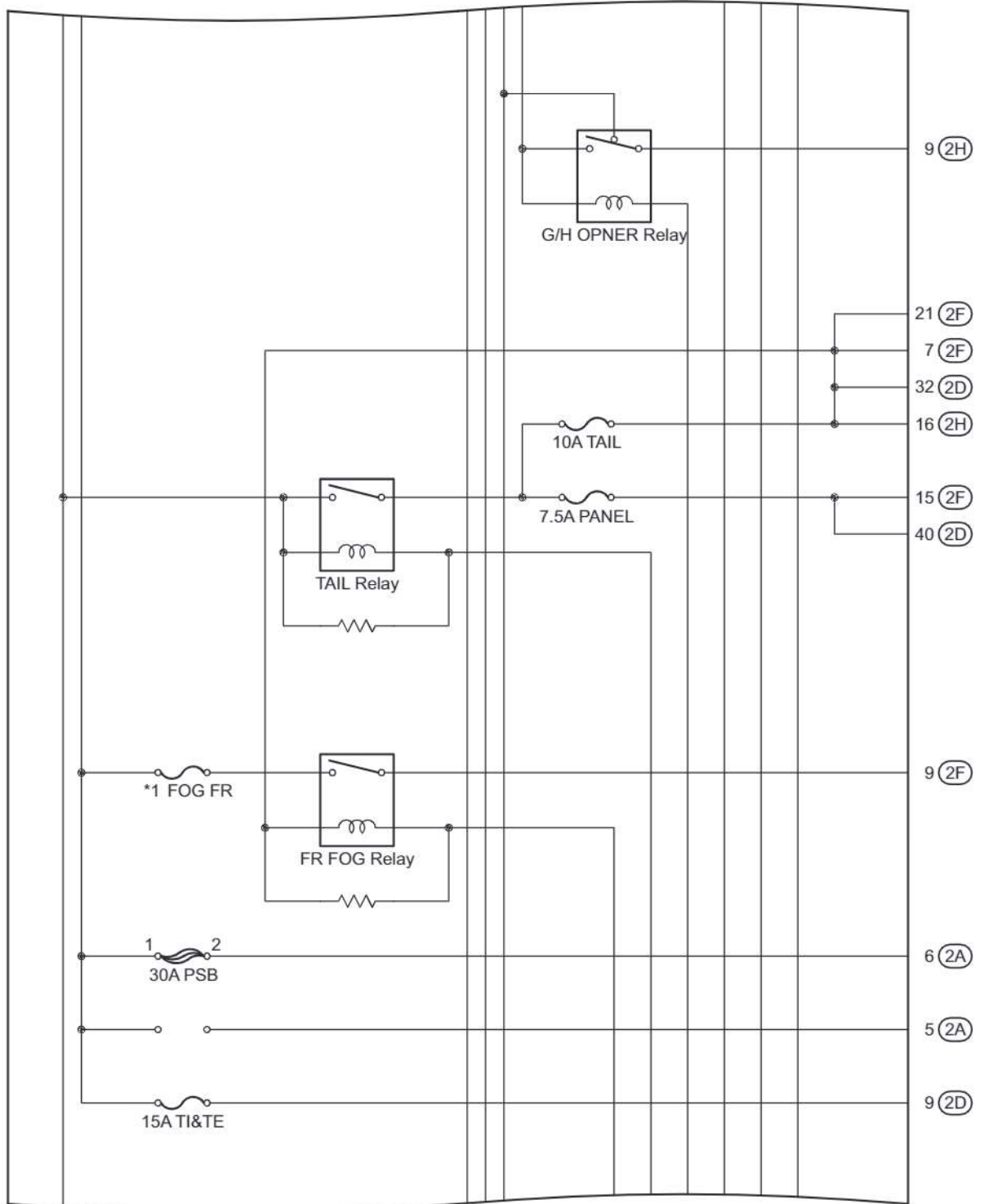
(Cont. Next Page)

cardiagn.com

F RELAY LOCATIONS

* 1:15A (Before Aug. 2013 Production)
 10A (From Aug. 2013 Production)

(Cont'd)

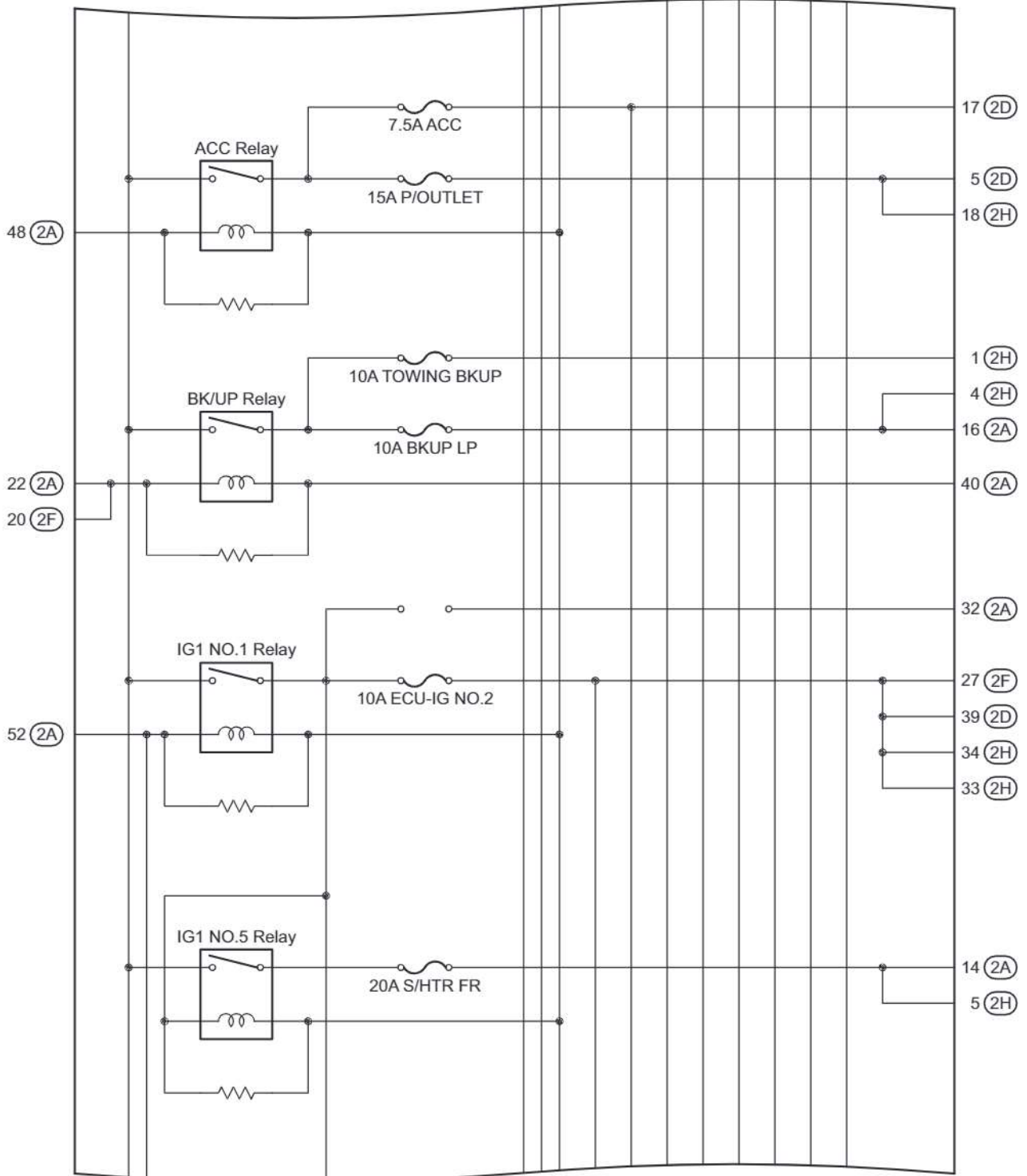


(Cont. Next Page)

cardiagn.com

[Instrument Panel J/B Assembly Inner Circuit]
(RHD)

(Cont'd)

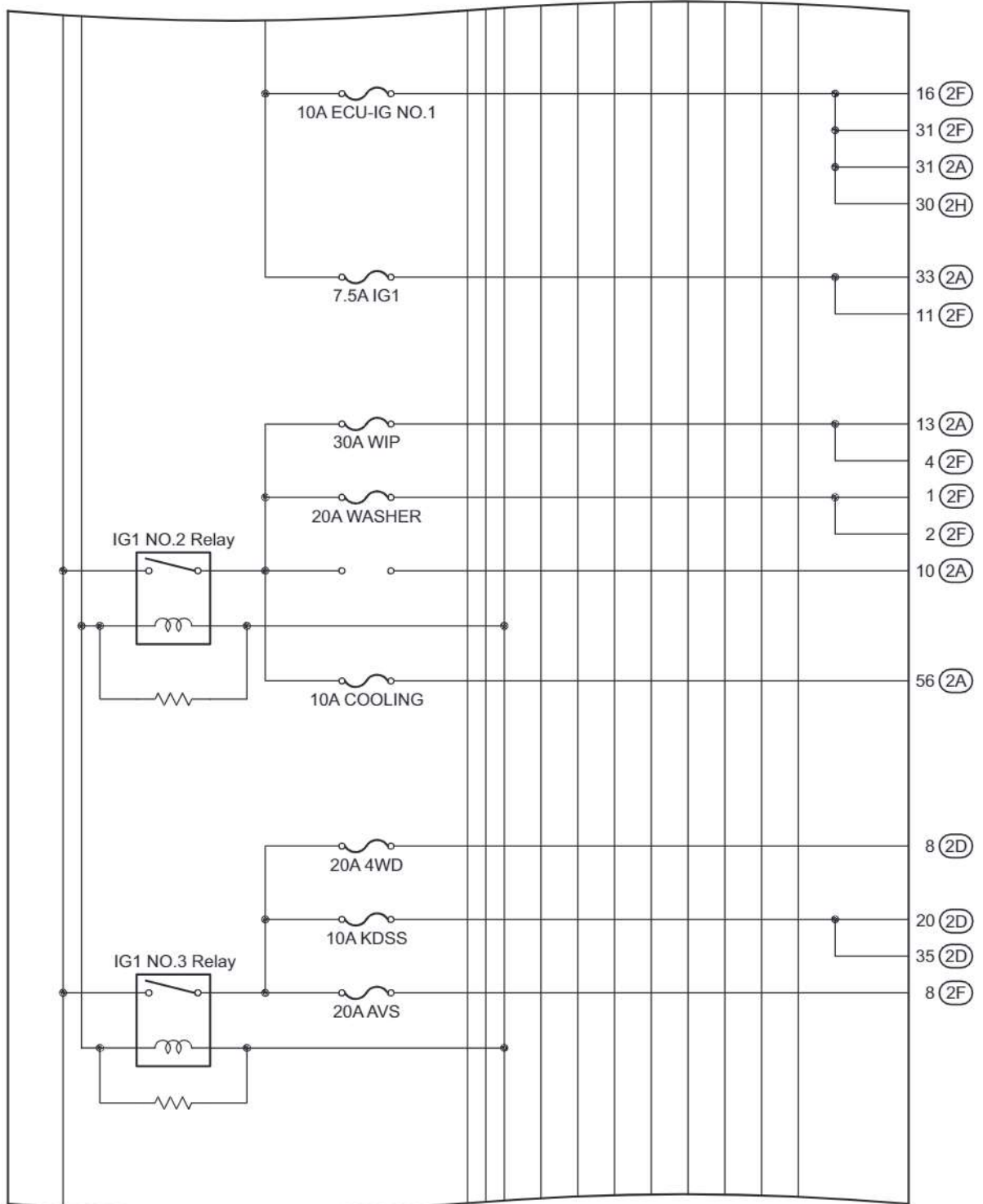


(Cont. Next Page)

cardiagn.com

F RELAY LOCATIONS

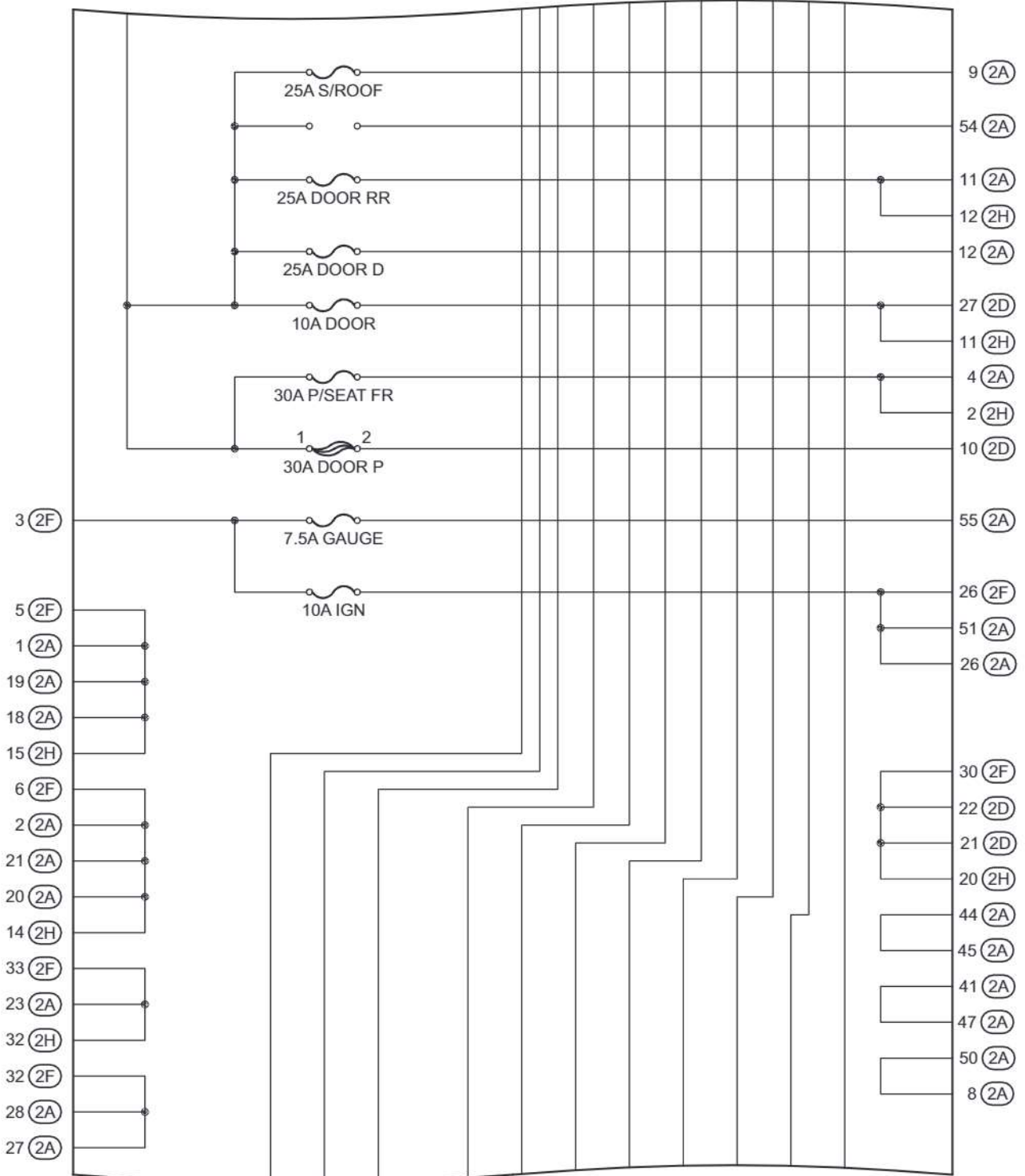
(Cont'd)



(Cont. Next Page)

[Instrument Panel J/B Assembly Inner Circuit]
(RHD)

(Cont'd)



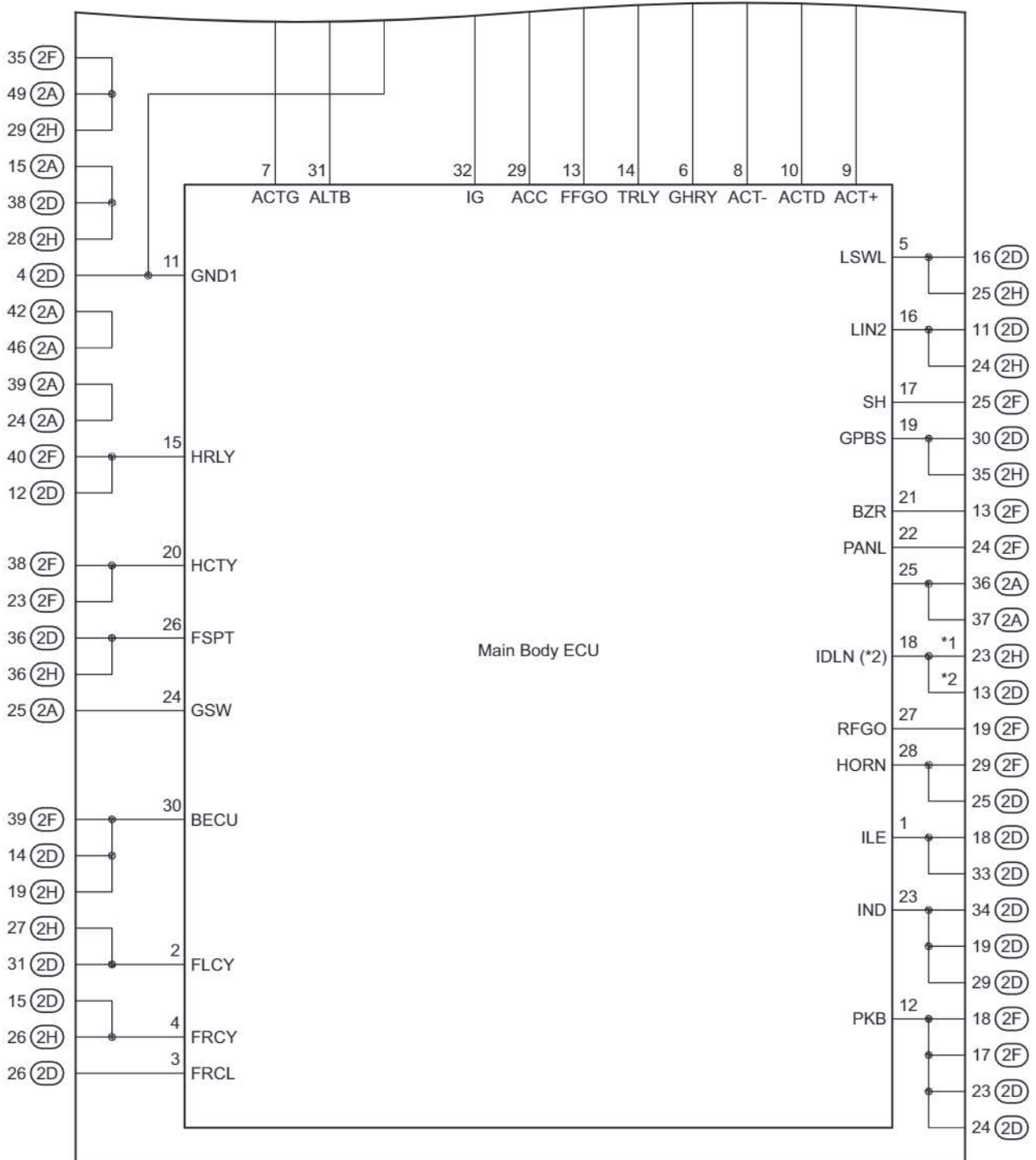
(Cont. Next Page)

cardiagn.com

F RELAY LOCATIONS

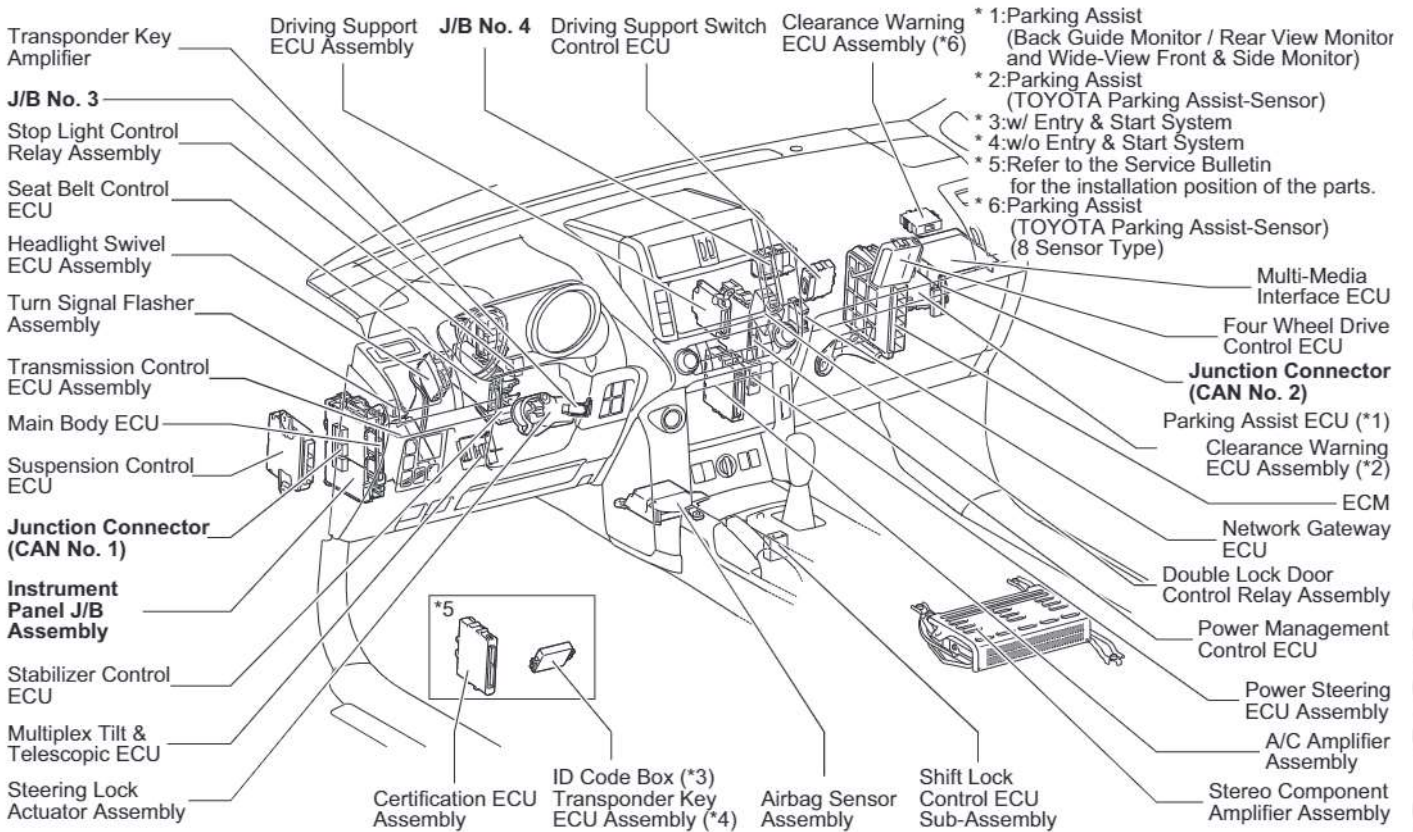
* 1: Before Aug. 2013 Production
 * 2: From Aug. 2013 Production

(Cont'd)

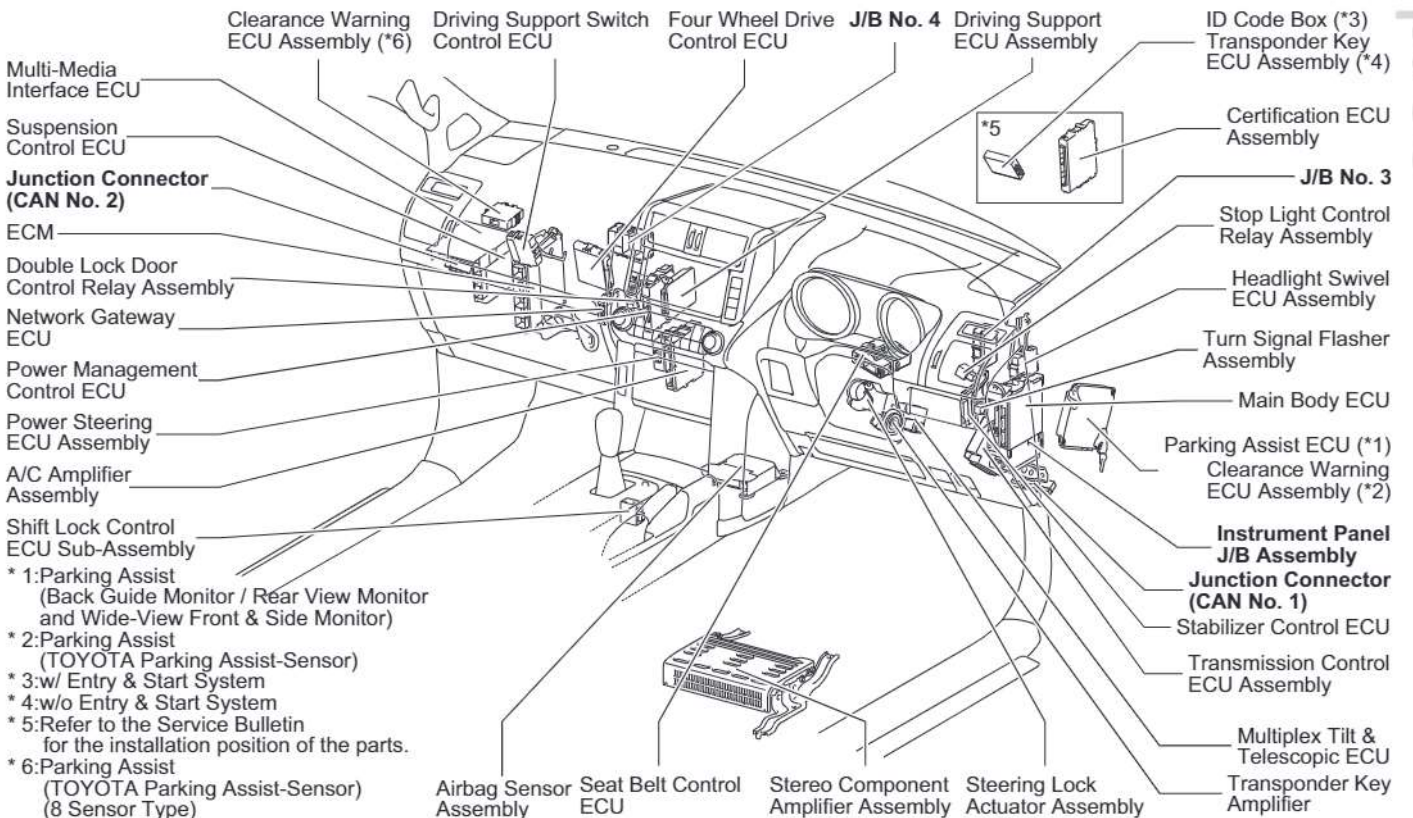


cardiagn.com

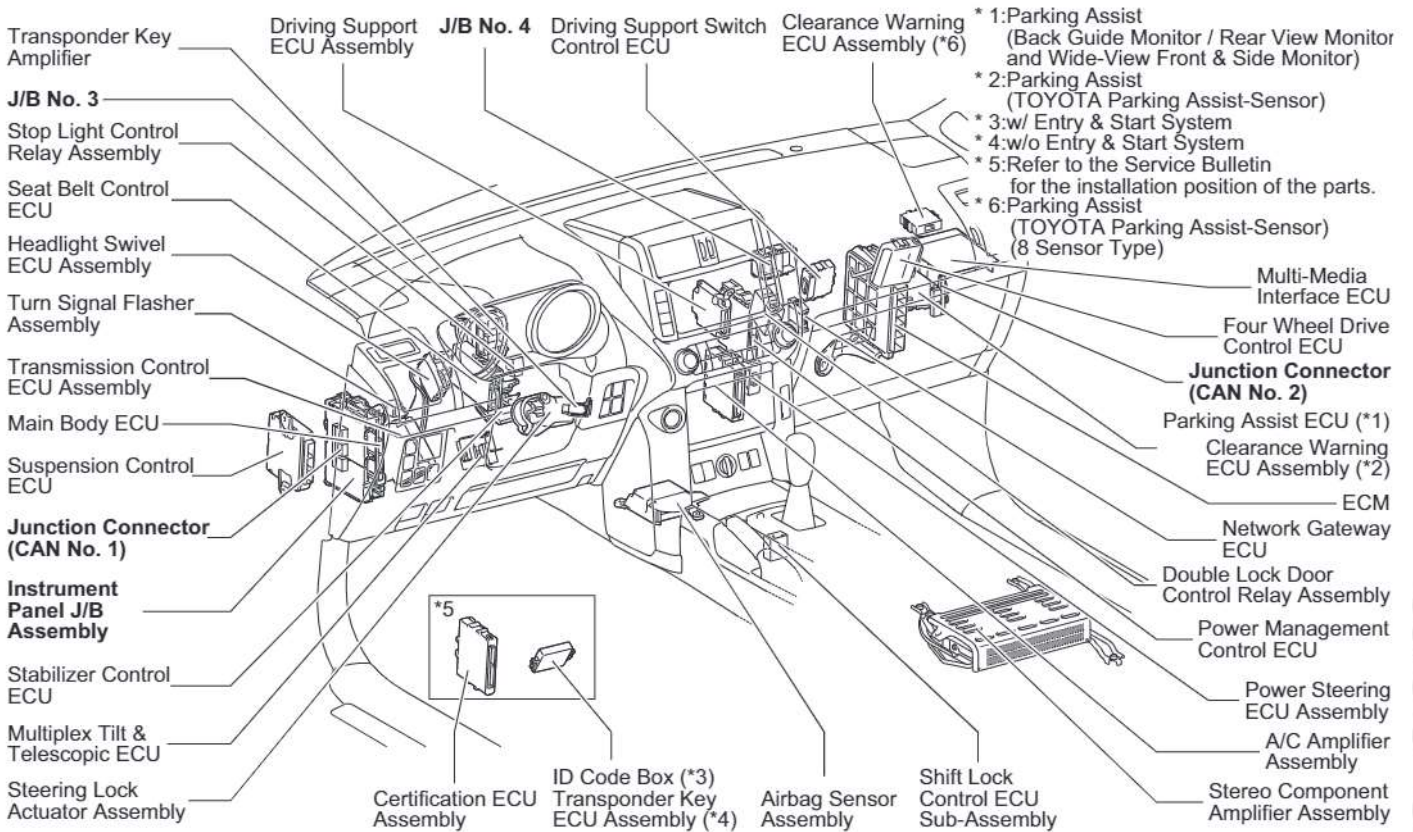
[Instrument Panel] (LHD)



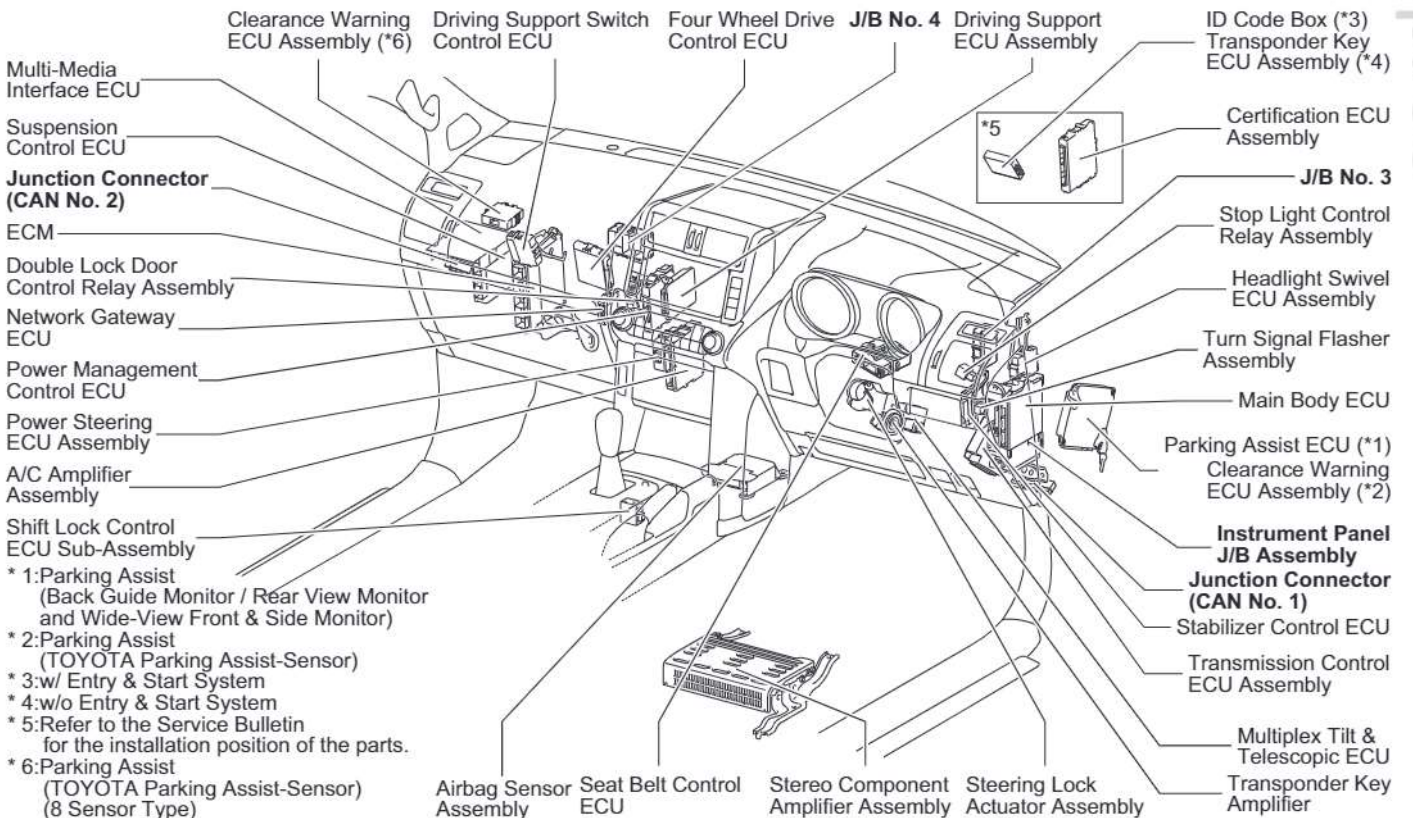
(RHD)



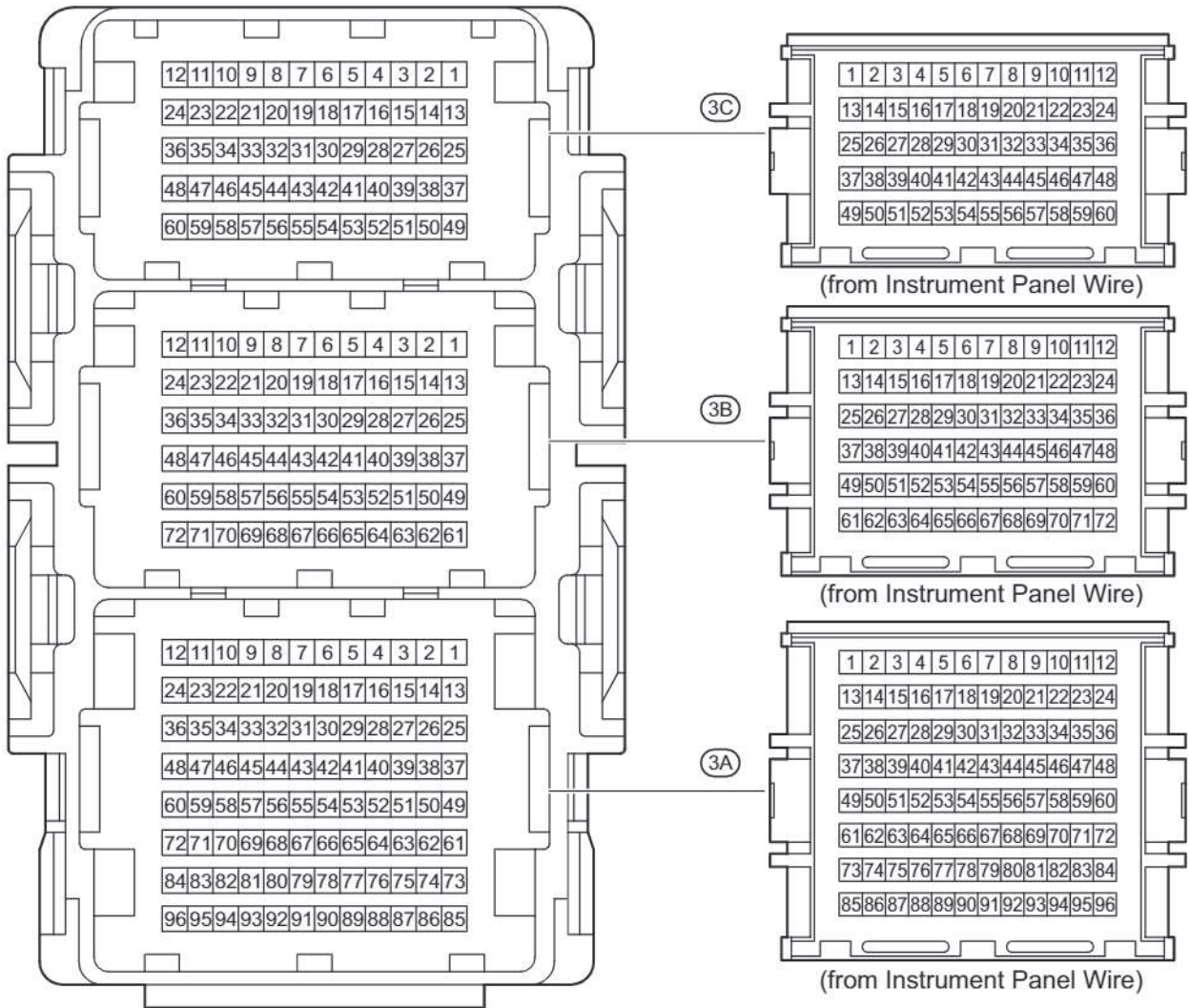
[Instrument Panel] (LHD)



(RHD)



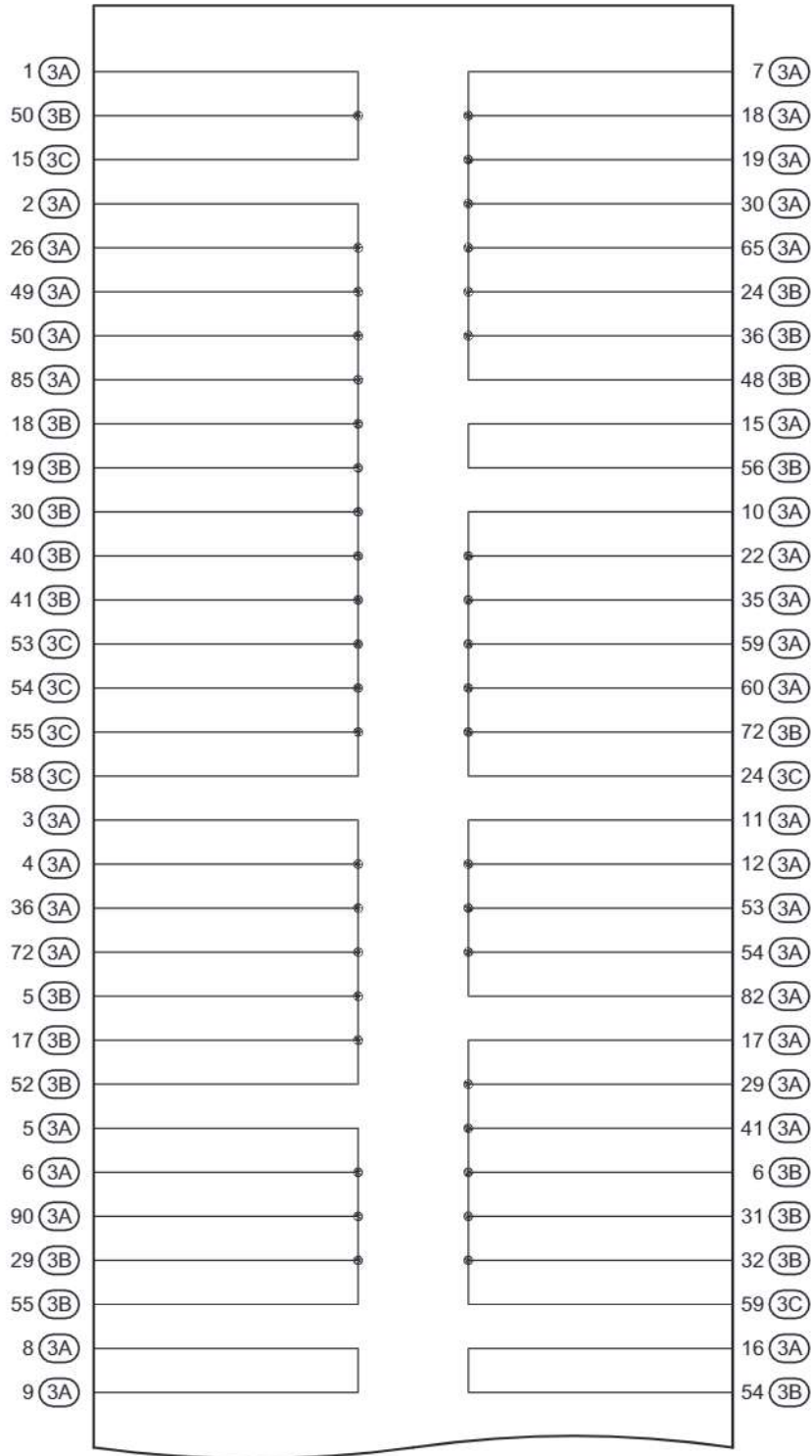
○ : J/B No.3 **Instrument Panel Reinforcement**



cardiagn.com

F RELAY LOCATIONS

[J/B No. 3 Inner Circuit]

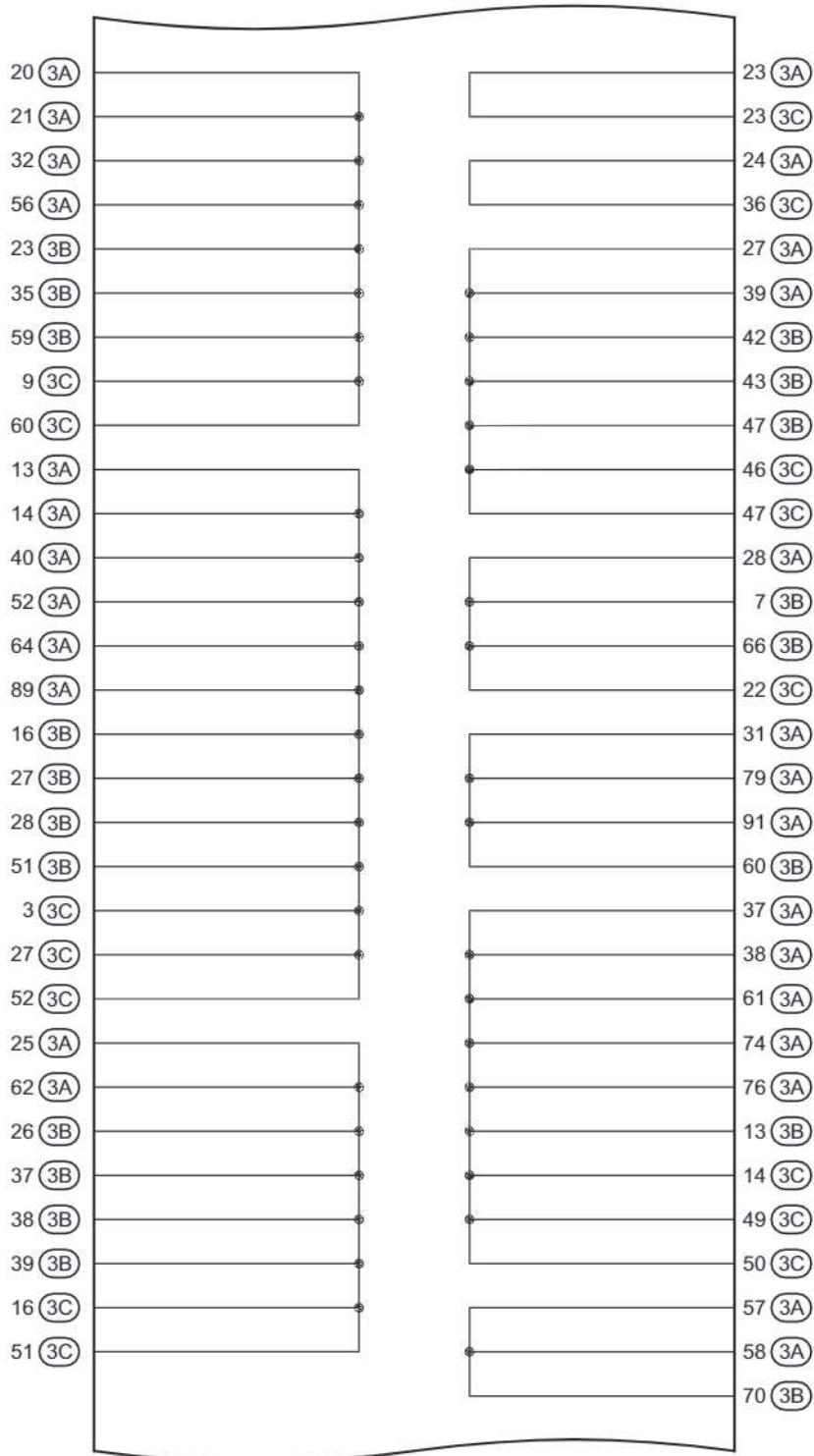


(Cont. Next Page)

cardiagn.com

[J/B No. 3 Inner Circuit]

(Cont'd)



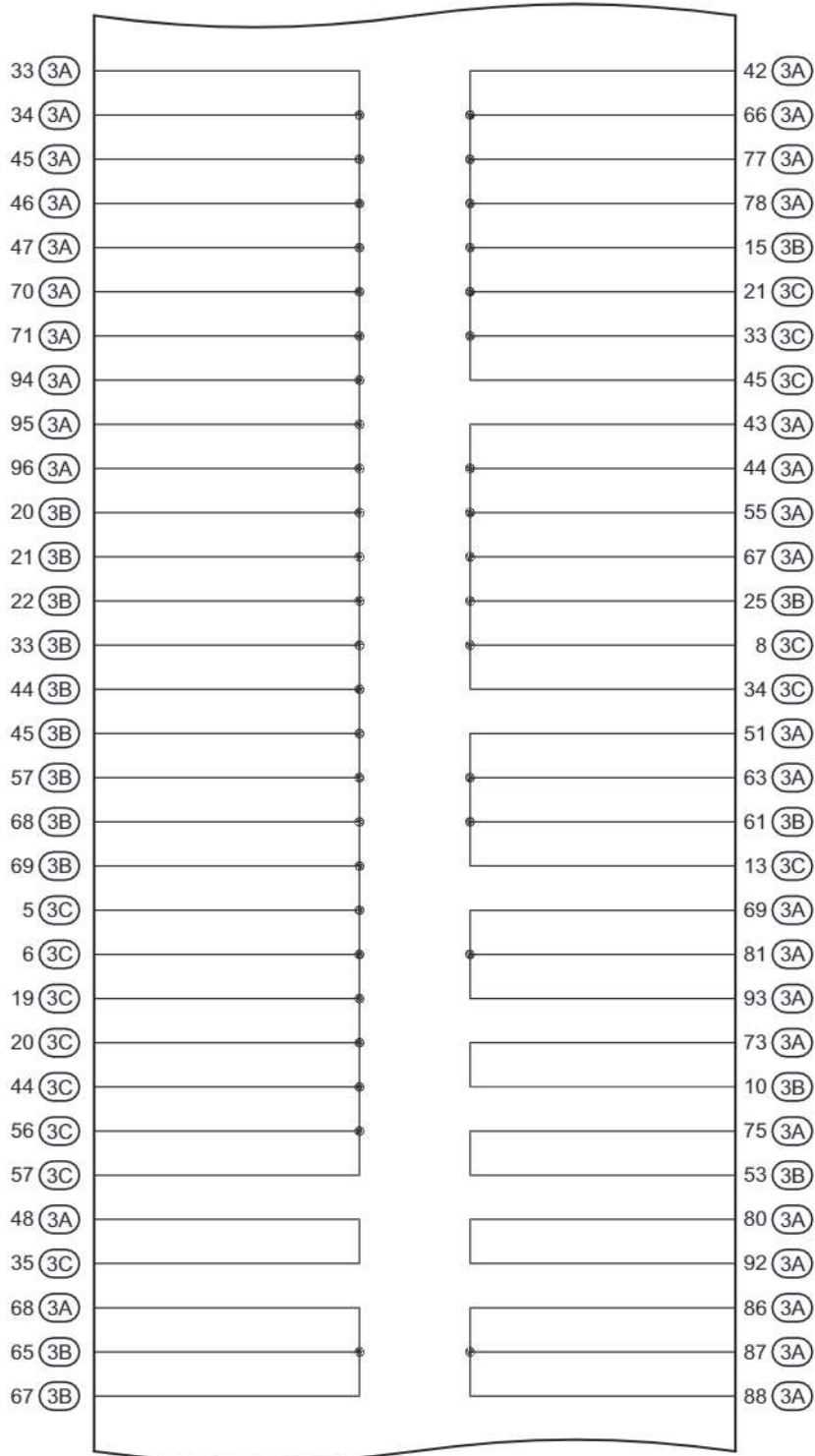
(Cont. Next Page)

cardiagn.com

F RELAY LOCATIONS

[J/B No. 3 Inner Circuit]

(Cont'd)

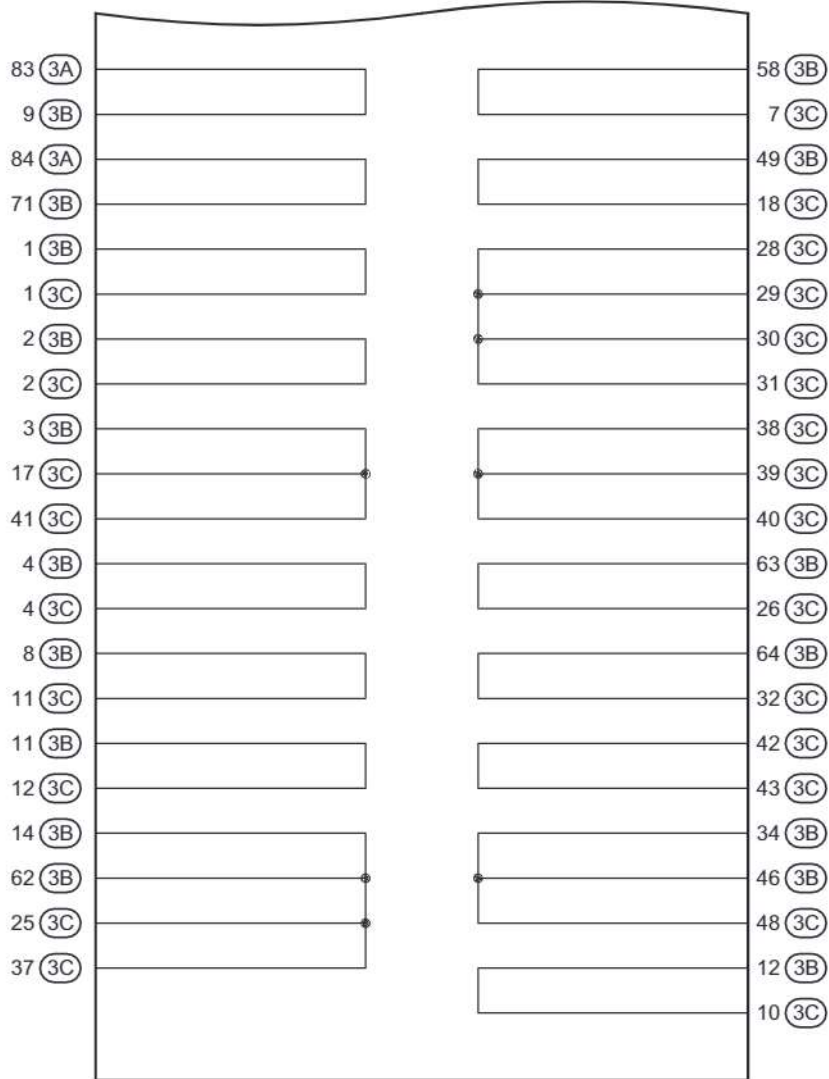


(Cont. Next Page)

cardiagn.com

[J/B No. 3 Inner Circuit]

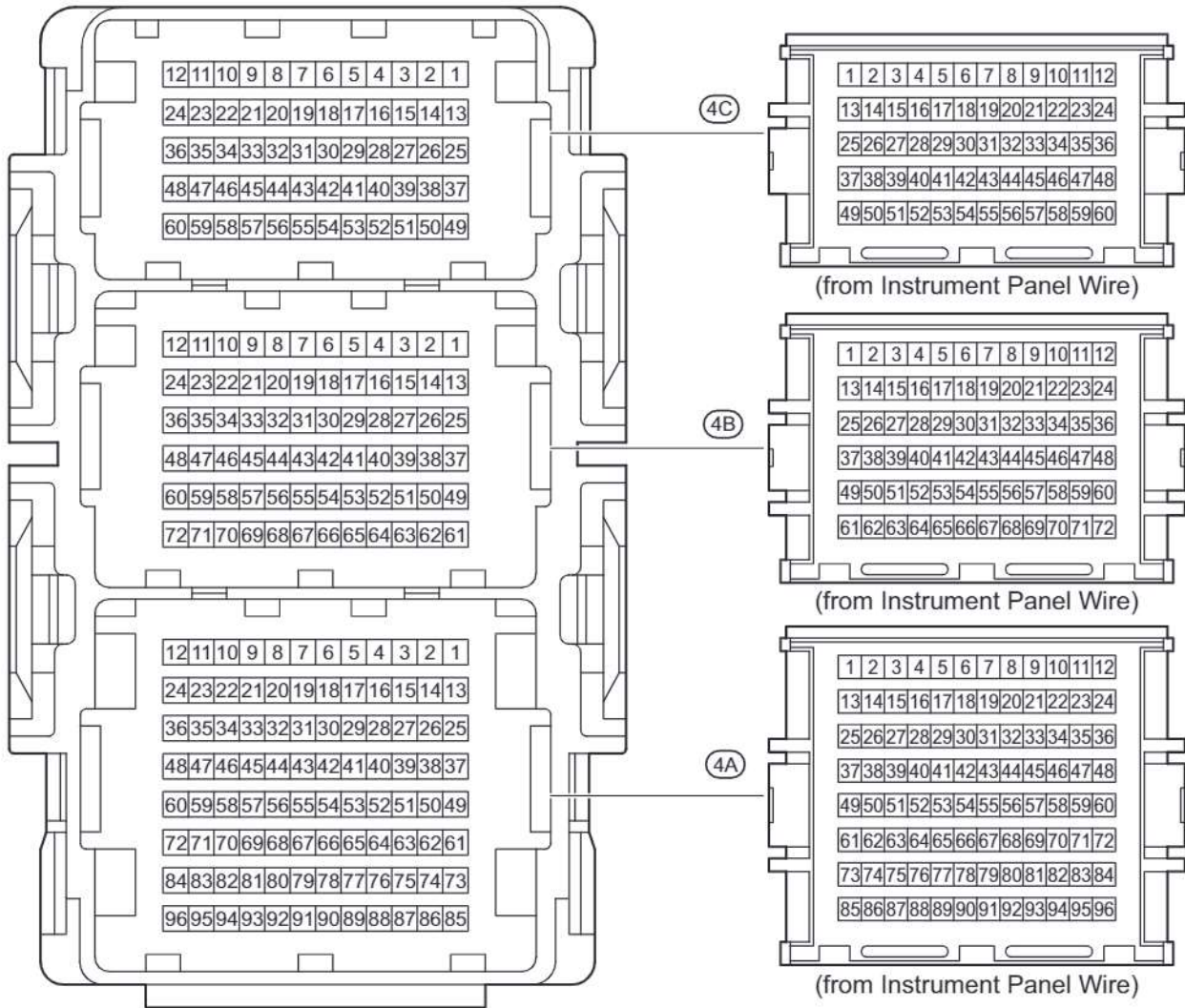
(Cont'd)



cardiagn.com

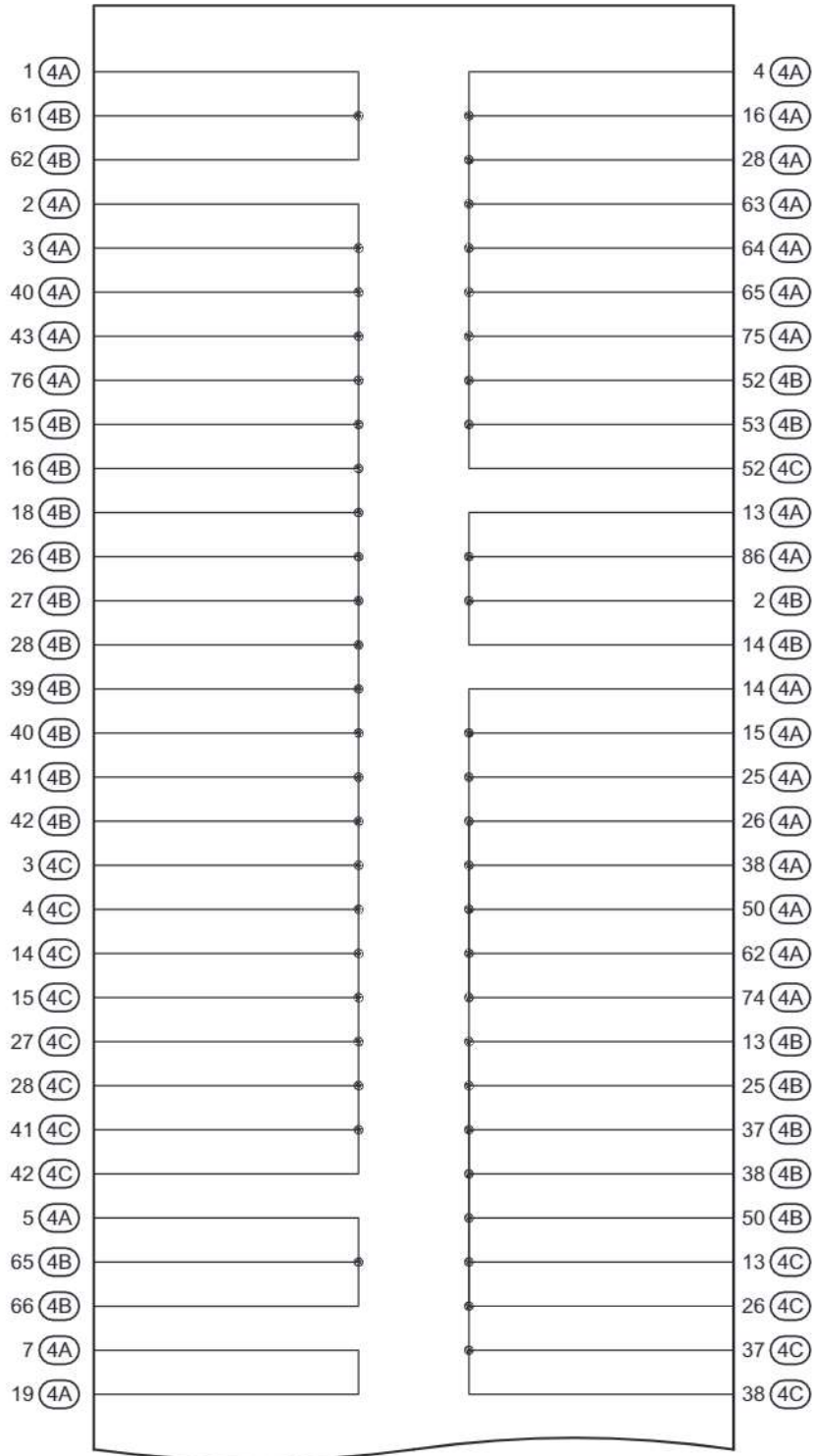
F RELAY LOCATIONS

 : J/B No.4	Instrument Panel Reinforcement
--	---------------------------------------



cardiagn.com

[J/B No. 4 Inner Circuit]



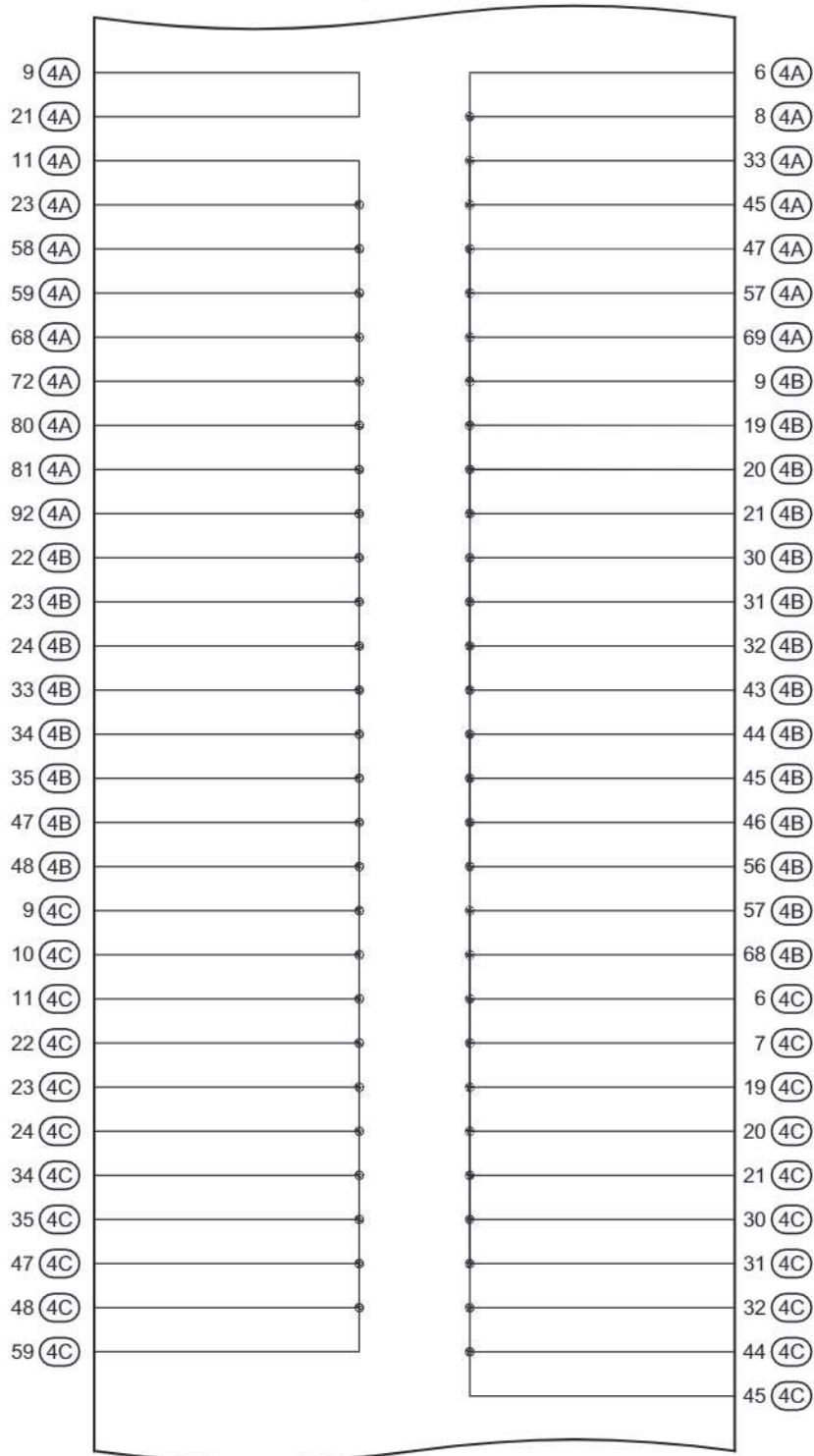
(Cont. Next Page)

cardiagn.com

F RELAY LOCATIONS

[J/B No. 4 Inner Circuit]

(Cont'd)

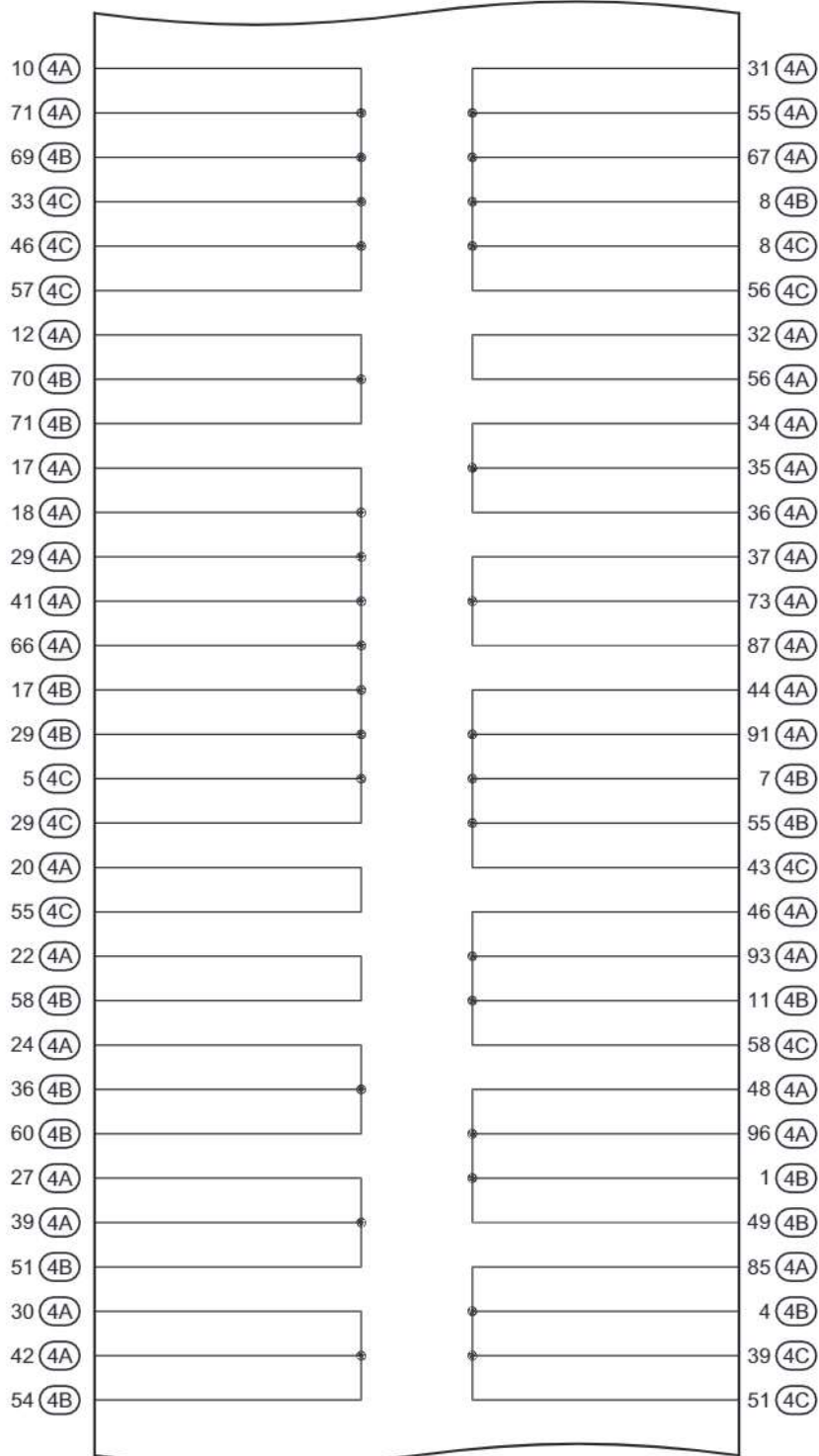


(Cont. Next Page)

cardiagn.com

[J/B No. 4 Inner Circuit]

(Cont'd)

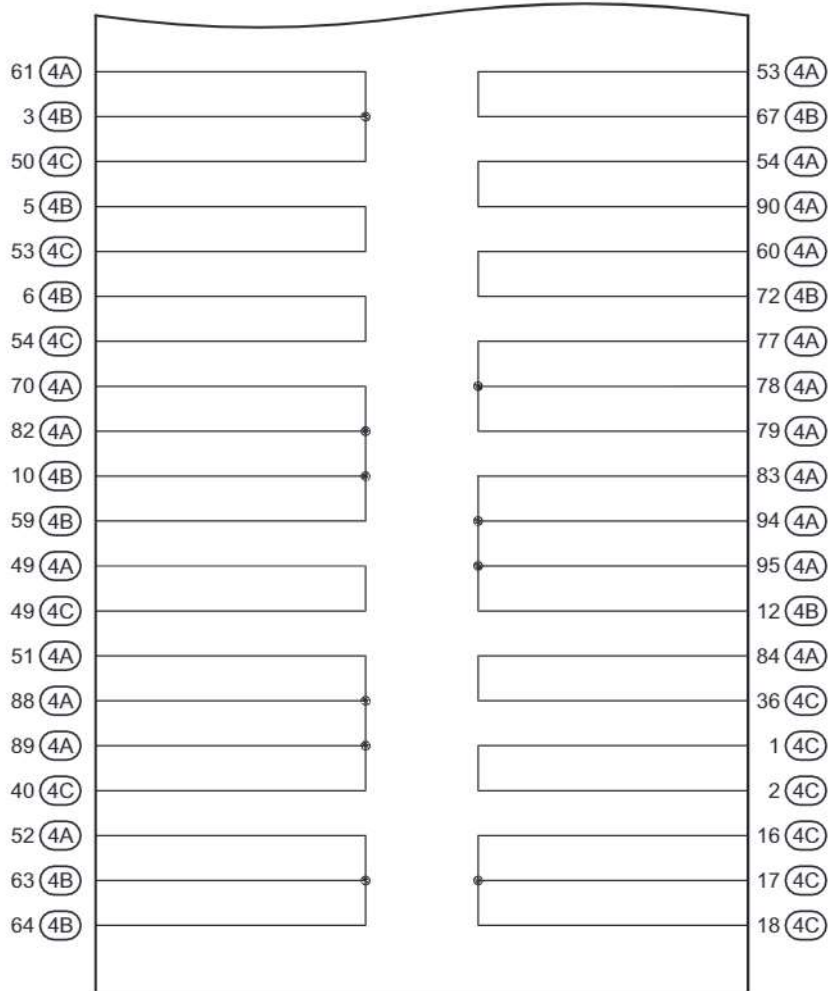


(Cont. Next Page)

F RELAY LOCATIONS

[J/B No. 4 Inner Circuit]

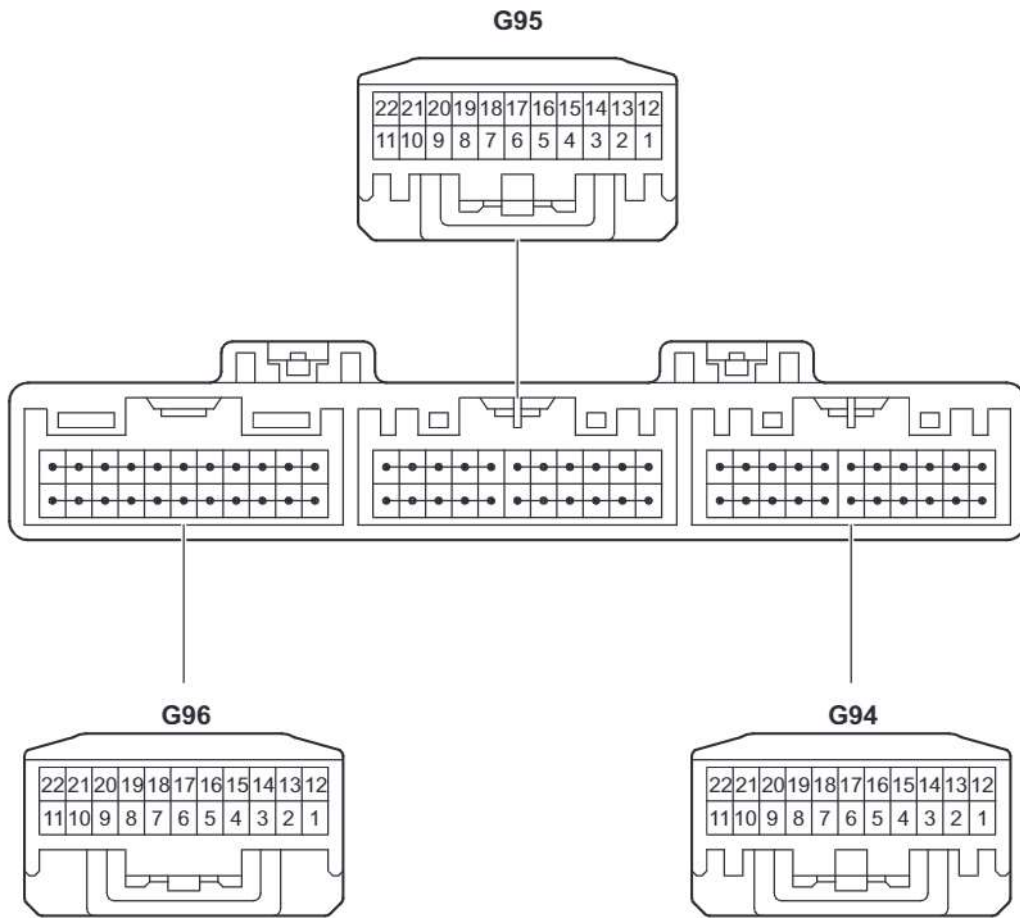
(Cont'd)



cardiagn.com

Junction Connector (CAN No.1)	Cowl Side Panel LH
-------------------------------	--------------------

(LHD)

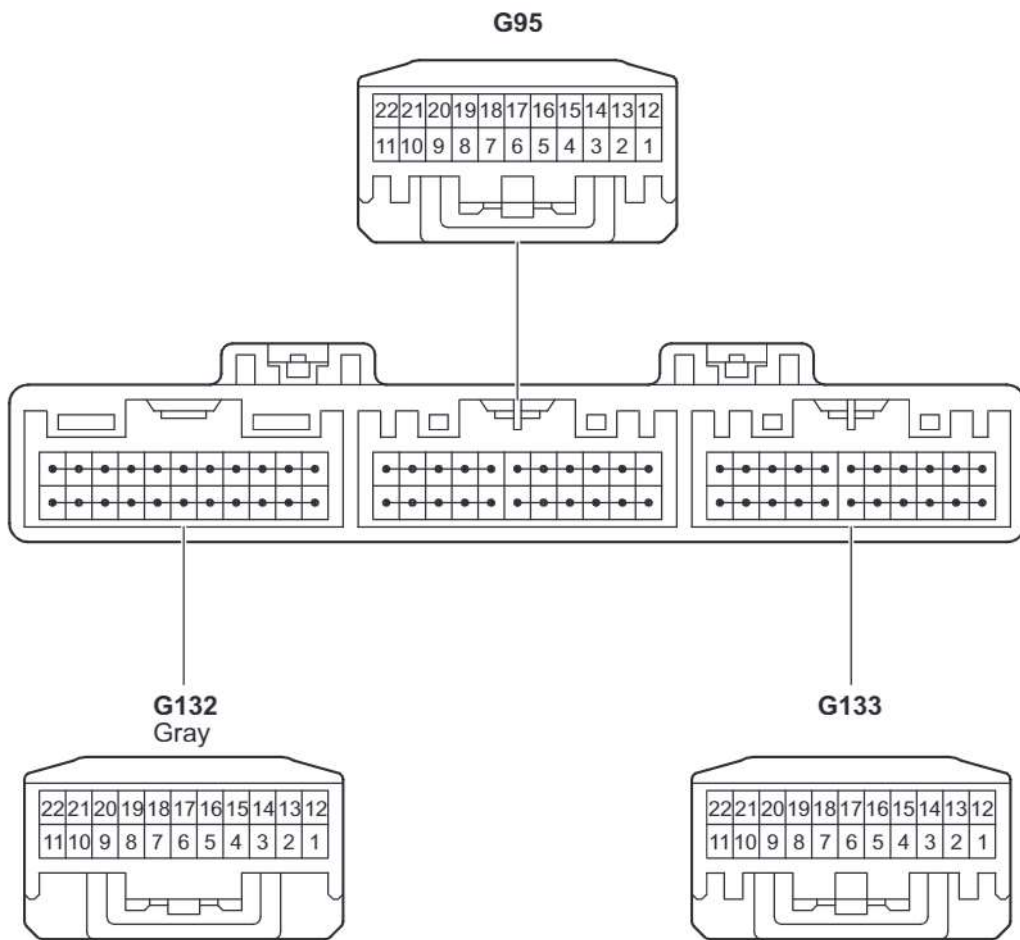


cardiagn.com

F RELAY LOCATIONS

Junction Connector (CAN No.1)	Cowl Side Panel RH
-------------------------------	--------------------

(RHD)

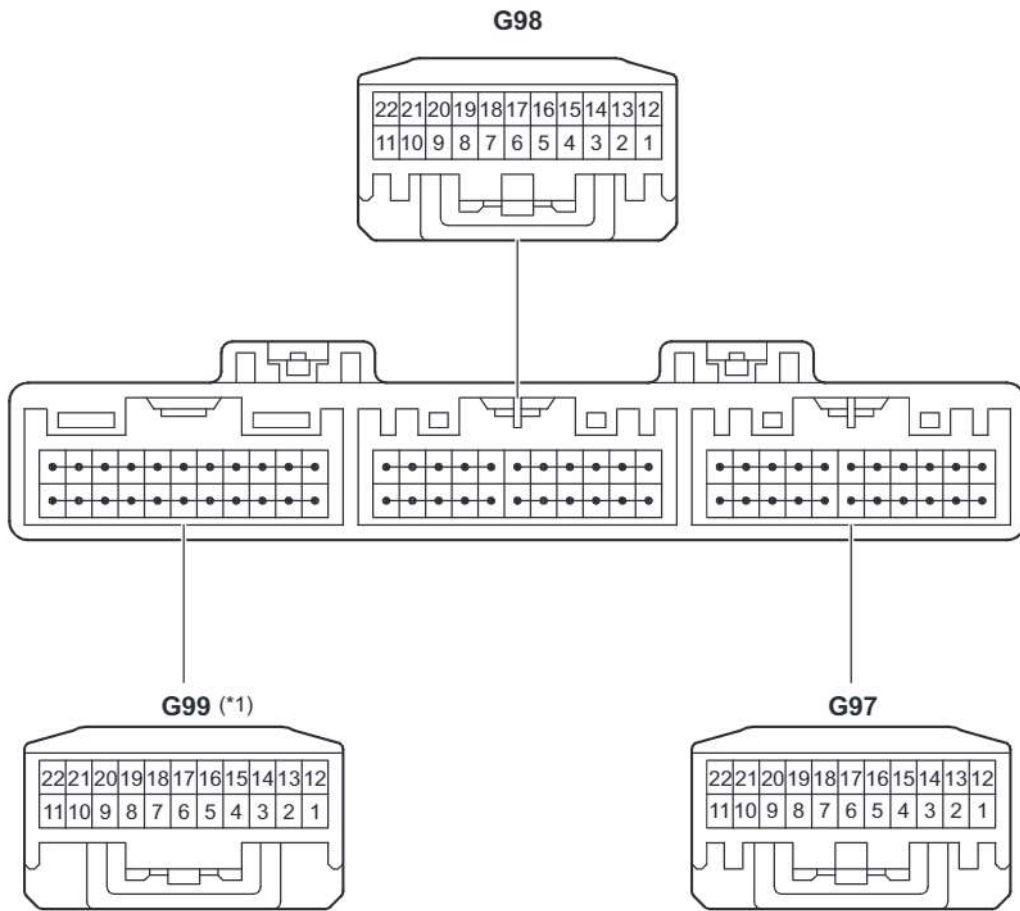


cardiagn.com

Junction Connector (CAN No.2)	Cowl Side Panel RH
-------------------------------	--------------------

(LHD)

* 1: Before Aug. 2013 Production



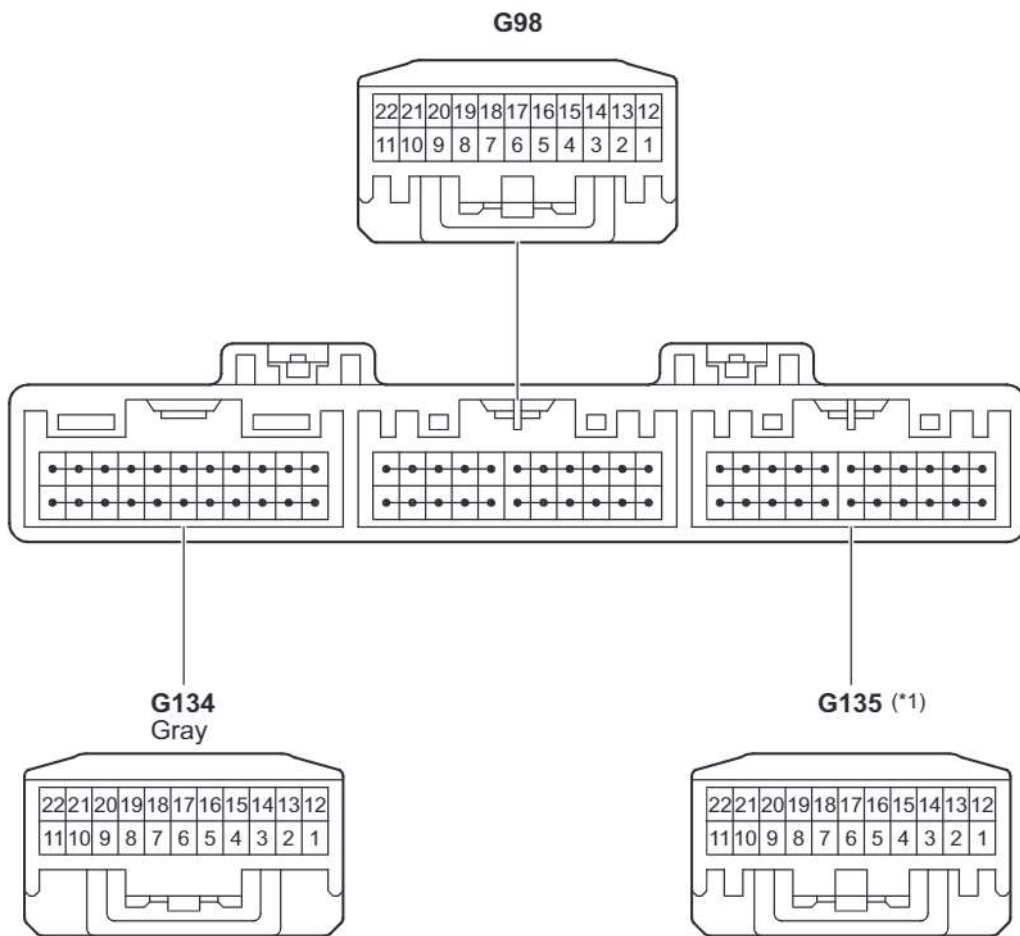
cardiagn.com

F RELAY LOCATIONS

Junction Connector (CAN No.2)	Cowl Side Panel LH
-------------------------------	--------------------

(RHD)

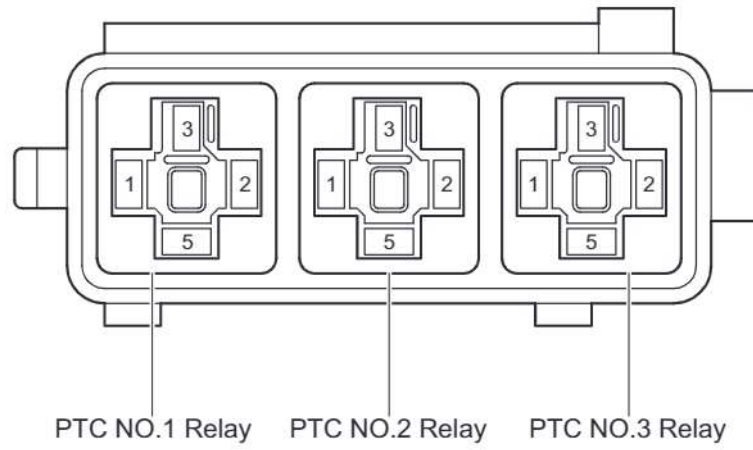
* 1: Before Aug. 2013 Production



cardiagn.com

③ : R/B No.3

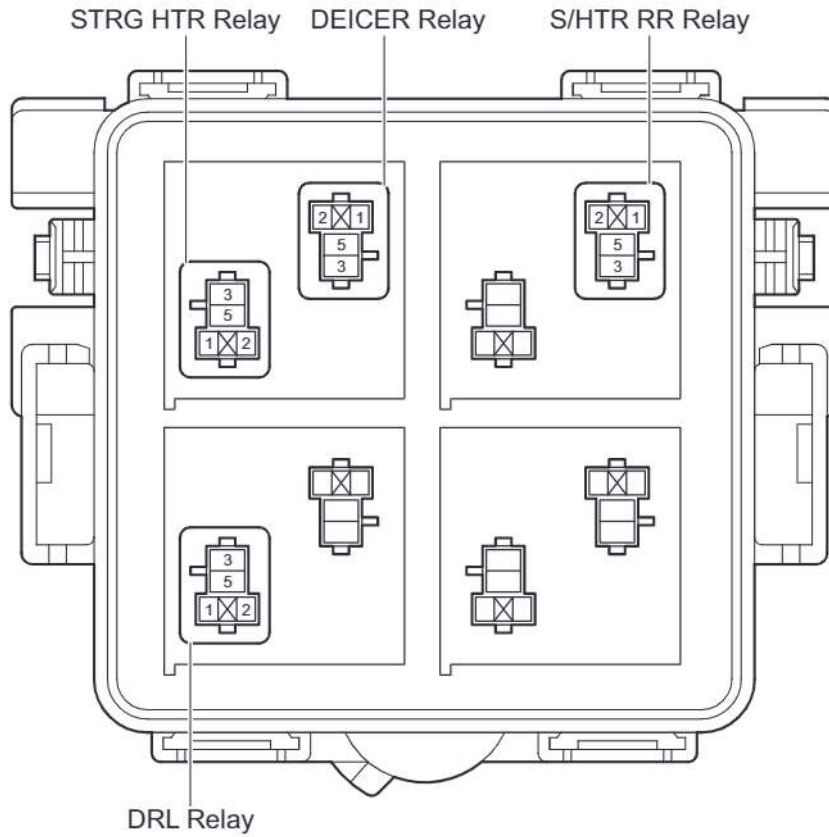
Front Fender Apron LH



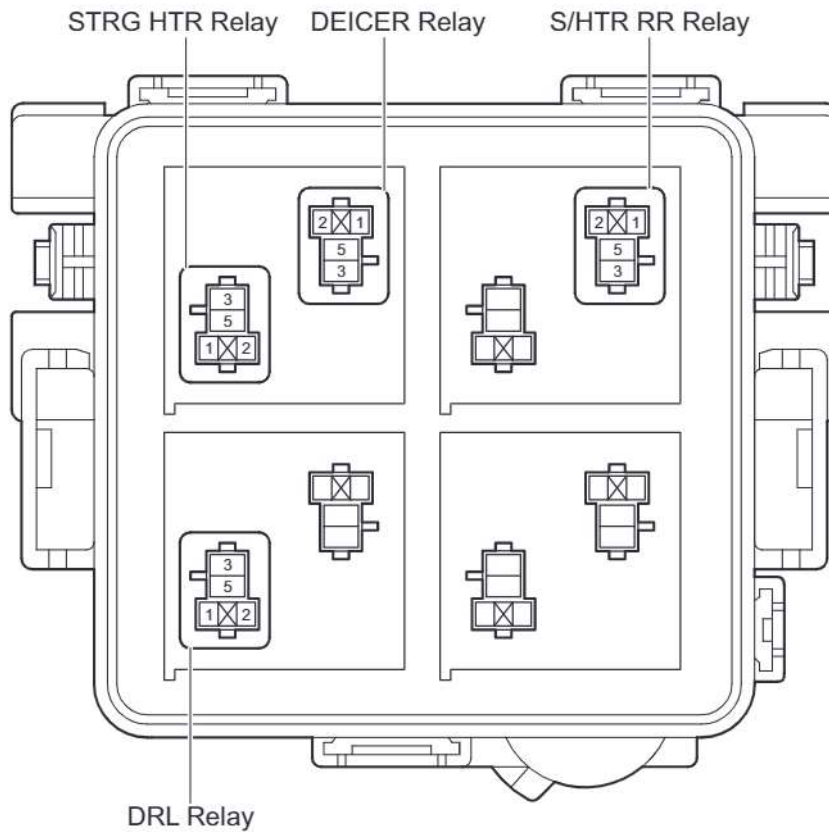
F RELAY LOCATIONS

⑤ : R/B No.5	LHD : Cowl Outer RH
	RHD : Cowl Outer LH

(LHD)



(RHD)

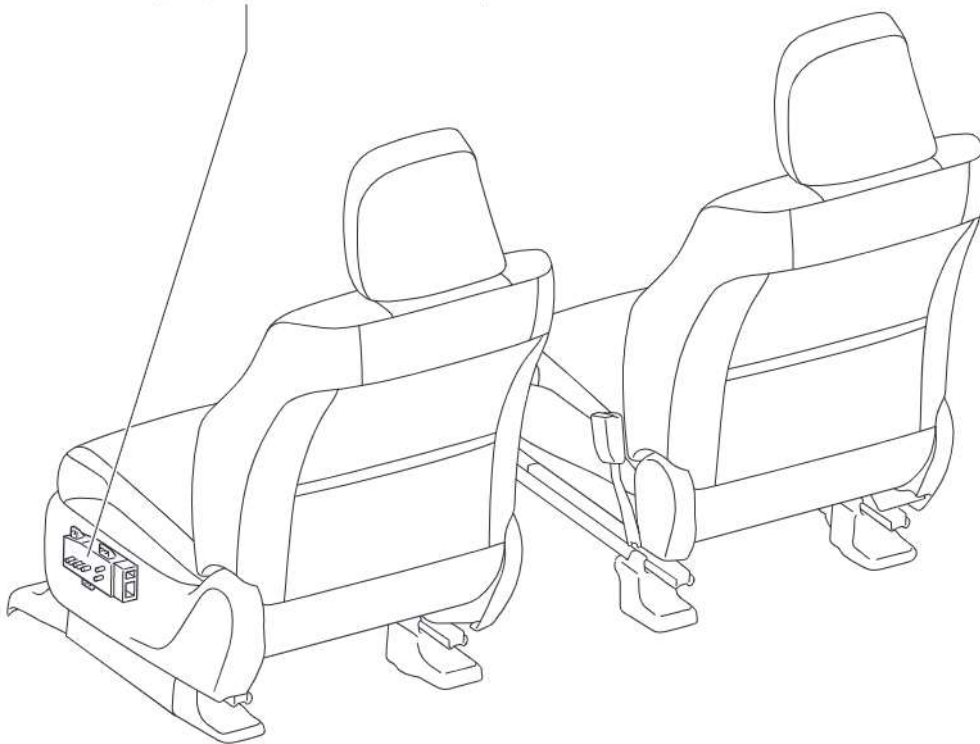


F RELAY LOCATIONS

[Seat]

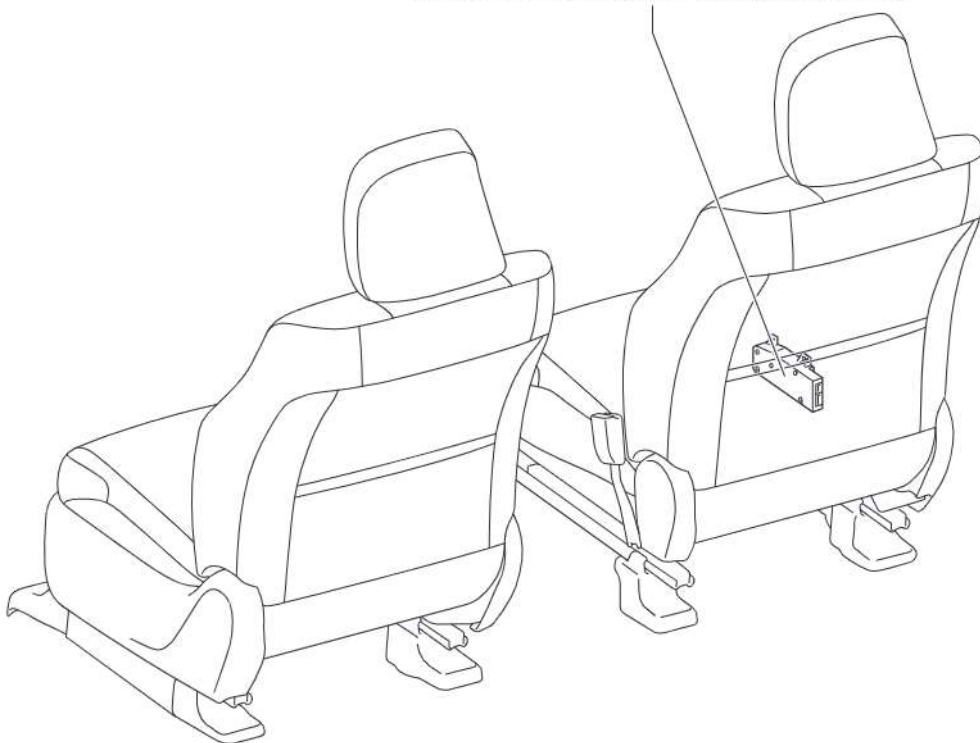
(LHD : Front Separate Seat)

Front Position Control ECU and
Switch Assembly LH (Front Power Seat Switch LH)



(RHD : Front Separate Seat)

Front Position Control ECU and
Switch Assembly RH (Front Power Seat Switch RH)

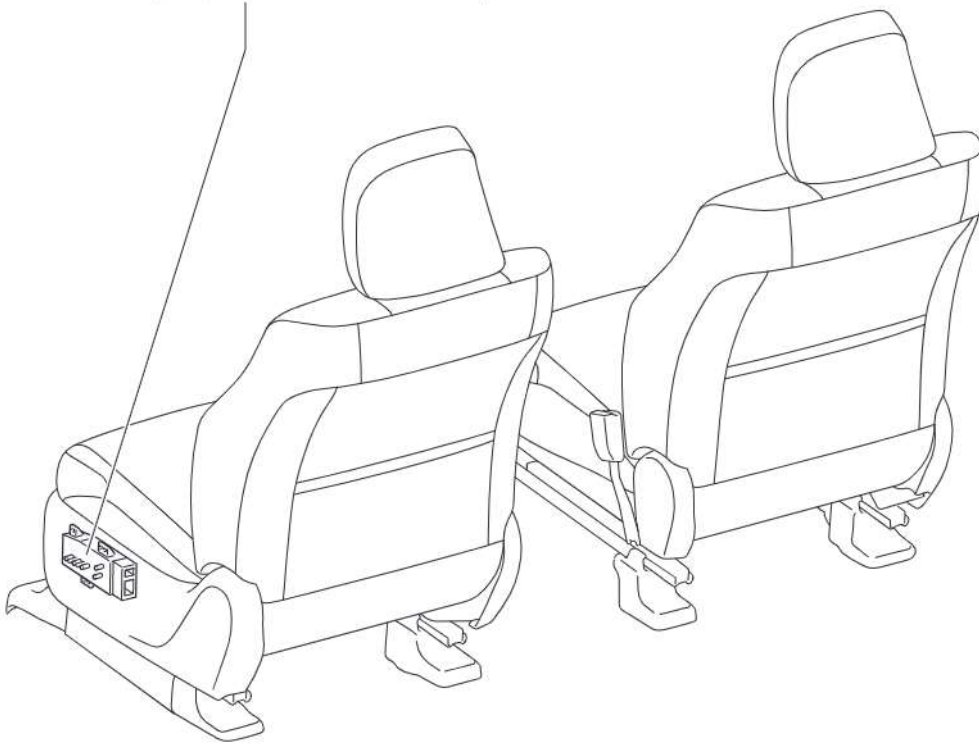


F RELAY LOCATIONS

[Seat]

(LHD : Front Separate Seat)

Front Position Control ECU and
Switch Assembly LH (Front Power Seat Switch LH)



(RHD : Front Separate Seat)

Front Position Control ECU and
Switch Assembly RH (Front Power Seat Switch RH)

