

---

INSTRUCTION BOOK

**THRULINE<sup>®</sup> RF POWER METER MODEL 4421  
AND  
THRULINE<sup>®</sup> DIRECTIONAL RF POWER SENSORS  
4020 SERIES, 4027A SERIES,  
4027F SERIES, AND 4028 SERIES**

**BIRD<sup>®</sup>**

**Electronic Corporation  
Cleveland (Solon) Ohio USA**

---

©Copyright 2004 by Bird Electronic Corporation  
Instruction Book Part Number 920-4421 Rev L

Thruline<sup>®</sup> is a Registered Trademark  
of Bird Electronic Corporation



## **Safety Precautions**

---

The following are general safety precautions that are not necessarily related to any specific part or procedure and do not necessarily appear elsewhere in this publication. These precautions must be thoroughly understood and apply to all phases of operation and maintenance.

### ***Keep Away From Live Circuits***

Operating personnel must at all times observe normal safety regulations. Do not replace components or make adjustments inside the equipment with high voltage turned on. To avoid casualties, always remove power.

### ***Shock Hazard***

Do not attempt to remove the RF transmission line while RF power is present.

### ***Do Not Service or Adjust Alone***

Under no circumstances should any person reach into an enclosure for the purpose of service or adjustment of equipment except in the presence of someone who is capable of rendering aid.

### ***Safety Earth Ground***

An uninterruptible earth safety ground must be supplied from the main power source to test instruments. Grounding one conductor of a two conductor power cable is not sufficient protection. Serious injury or death can occur if this grounding is not properly supplied.

### ***Chemical Hazard***

Dry cleaning solvents for cleaning parts may be potentially dangerous. Avoid inhalation of fumes or prolonged contact with skin.

### ***Resuscitation***

Personnel working with or near high voltages should be familiar with modern methods of resuscitation.

### **Safety Symbols**

#### **WARNING**


Warning notes call attention to a procedure which, if not correctly performed, could result in personal injury.

#### **CAUTION**

Caution notes call attention to a procedure which, if not correctly performed, could result in damage to the instrument.



The caution symbol appears on the equipment indicating there is important information in the instruction manual regarding that particular area. See pages 2, 6, 45, 47, and page 52 for specific cautions.

 **NOTE:** Calls attention to supplemental information.

### **Warning Statements**

The following safety warnings appear in the text where there is danger to operating and maintenance personnel and are repeated here for emphasis.

#### **WARNING**

Never attempt to connect or disconnect RF equipment from the transmission line while RF power is being applied.  
Leaking RF energy is a potential health hazard.

#### **WARNING**

The Bird 4421 contains no user-serviceable parts.  
Do not remove its cover.

#### **WARNING**

To avoid personal injury, disconnect the power cord from the ac line before performing any maintenance, including fuse replacement or changing the line voltage setting.

### **Caution Statements**

The following equipment cautions appear in the text whenever the equipment is in danger of damage and are repeated here for emphasis.

#### **CAUTION**

The interface module contains electrostatic discharge (ESD) sensitive components. Failure to observe ESD precautions can cause permanent damage.

**CAUTION**

Changing the sensor's connectors will invalidate calibration data, and may reduce the maximum power rating of the unit.

**CAUTION**

Be sure that the 115/230 voltage selector on the 4421's rear panel is set to the proper voltage before ac power is applied.

**CAUTION**

The Bird 4421 must be powered off when connecting or disconnecting the power sensor from the power meter.

**CAUTION**

Do not use the power sensor with a load VSWR greater than 2:1. Damage to the power meter, power sensor, or the RF power source could occur.

**CAUTION**

During remote operation, periodically monitor the bus service request line. Failure to detect a service request could result in equipment damage.

**CAUTION**

Due to the complexity of the Bird Power Sensor, field repairs beyond general maintenance should not be attempted. Removal or disturbance of the power sensor cover can result in cancellation of lifetime warranty.

**CAUTION**

Failure to install the properly rated fuse may result in equipment damage or nuisance failures.

**Safety Statements**



**USAGE**

ANY USE OF THIS INSTRUMENT IN A MANNER NOT SPECIFIED BY THE MANUFACTURER MAY IMPAIR THE INSTRUMENT'S SAFETY PROTECTION.

**USO**

EL USO DE ESTE INSTRUMENTO DE MANERA NO ESPECIFICADA POR EL FABRICANTE, PUEDE ANULAR LA PROTECCIÓN DE SEGURIDAD DEL INSTRUMENTO.

## BENUTZUNG

WIRD DAS GERÄT AUF ANDERE WEISE VERWENDET ALS VOM HERSTELLER BESCHRIEBEN, KANN DIE GERÄTESICHERHEIT BEEINTRÄCHTIGT WERDEN.

## UTILISATION

TOUTE UTILISATION DE CET INSTRUMENT QUI N'EST PAS EXPLICITEMENT PRÉVUE PAR LE FABRICANT PEUT ENDOMMAGER LE DISPOSITIF DE PROTECTION DE L'INSTRUMENT.

## IMPRIEGO

QUALORA QUESTO STRUMENTO VENISSE UTILIZZATO IN MODO DIVERSO DA COME SPECIFICATO DAL PRODUTTORE LA PROIZIONE DI SICUREZZA POTREBBE VENIRNE COMPROMESSA.



## SERVICE

SERVICING INSTRUCTIONS ARE FOR USE BY SERVICE-TRAINED PERSONNEL ONLY. TO AVOID DANGEROUS ELECTRIC SHOCK, DO NOT PERFORM ANY SERVICING UNLESS QUALIFIED TO DO SO.

## SERVICIO

LAS INSTRUCCIONES DE SERVICIO SON PARA USO EXCLUSIVO DEL PERSONAL DE SERVICIO CAPACITADO. PARA EVITAR EL PELIGRO DE DESCARGAS ELÉCTRICAS, NO REALICE NINGÚN SERVICIO A MENOS QUE ESTÉ CAPACITADO PARA HACERLO.

## WARTUNG

ANWEISUNGEN FÜR DIE WARTUNG DES GERÄTES GELTEN NUR FÜR GESCHULTES FACHPERSONAL.

ZUR VERMEIDUNG GEFÄHRLICHE, ELEKTRISCHE SCHOCKS, SIND WARTUNGSARBEITEN AUSSCHLIEßLICH VON QUALIFIZIERTEM SERVICEPERSONAL DURCHZUFÜHREN.

## ENTRETIEN

L'EMPLOI DES INSTRUCTIONS D'ENTRETIEN DOIT ÊTRE RÉSERVÉ AU PERSONNEL FORMÉ AUX OPÉRATIONS D'ENTRETIEN. POUR PRÉVENIR UN CHOC ÉLECTRIQUE DANGEREUX, NE PAS EFFECTUER D'ENTRETIEN SI L'ON N'A PAS ÉTÉ QUALIFIÉ POUR CE FAIRE.

## ASSISTENZA TECNICA

LE ISTRUZIONI RELATIVE ALL'ASSISTENZA SONO PREVISTE ESCLUSIVAMENTE PER IL PERSONALE OPPORTUNAMENTE ADDESTRATO. PER EVITARE PERICOLOSE SCOSSE ELETTRICHE NON EFFETTUARRE ALCUNA RIPARAZIONE A MENO CHE QUALIFICATI A FARLA.



UNITS ARE EQUIPPED WITH RECHARGEABLE BATTERIES. THESE ARE TO BE REPLACED BY AUTHORIZED SERVICE PERSONNEL ONLY!!!

LAS UNIDADES VIENEN EQUIPADAS CON BATERIAS RECARGABLES. ¡¡¡Y SOLAMENTE EL PERSONAL DE SERVICIO AUTORIZADO PUEDE REEMPLAZARLAS!!!

GERÄTE SIND MIT WIEDER AUFLADBAREN BATTERIEN BESTÜCKT. BATTERIEN SIND NUR VON QUALIFIZIERTEM SERVICE PERSONAL AUSZUWECHSELN!!!

CES DISPOSITIFS SONT ÉQUIPÉS DE BATTERIES RECHARGEABLES. SEUL LE PERSONNEL D'ENTRETIEN AUTORISÉ EST HABILITÉ À LES REMPLACER !

LE UNITÀ SONO DOTATE DI BATTERIE RICARICABILI, CHE DEVONO DA COME SPECIFICATO DAL PRODUTTORE LA PROTEZIONE DI SICUREZZA POTREBBE VENIRNE COMPROMESSA.



BE SURE THE 115/230V AC VOLTAGE SELECTOR IS SET TO THE PROPER LINE VOLTAGE, AND THE CORRECT AC LINE FUSE IS INSTALLED BEFORE AC POWER IS APPLIED.

S'ASSURER QUE LE SÉLECTEUR DE TENSION 115/230V C.A. EST BIEN RÉGLÉ POUR LA TENSION DU RÉSEAU ET QUE LE FUSIBLE DE LIGNE C.A. CORRECT EST EN PLACE AVANT DE METTRE SOUS TENSION C.A.

CERCIORRESE QUE EL SELECTOR DE VOLTAJE DE 115/230V CA ESTE COLOCADO A LA LINEA DE VOLTAJE APROPIADA Y QUE EL FUSIBLE ESTE INSTALADO A LA LINEA CA ANTES DE APLICAR LA CORRIENTE ALTERNA.

VOR EINSCHALTEN DER WECHSELSTROMZUFUHR SICHERSTELLEN, DASS DER 115/230V WECHSELSPANNUNGS-SELEKTOR AUF DIE VORSCHRIFTSMÄSSIGE LEITUNGSSPANNUNG EINGESTELLT UND DIE RICHTIGE WECHSELSTROM-HAUPTSICHERUNG EINGESETZT IST.

PRIMA DI EROGARE CORRENTE, ASSICURARSI CHE IL SELETTORE DI VOLTAGGIO 115/230 V.C.A. SIA REGOLATO CORRETTAMENTE E CHE IL FUSIBILE ADATTO ALLA LINEA DI ALIMENTAZIONE C.A. SIA INSTALLATO.

## About This Manual

This manual covers the Bird 4421 RF Power Meter, Bird 4020 Series Power Sensors, Bird 4027A Series Precision Power Sensors, and Bird 4027F Series Precision Filtered Power Sensors. Specific models include:

<b>Power Meter</b>	4421			
<b>4020 Series Sensors</b>	4021	4022	4024	4025
<b>4027A Series Sensors</b>	4027A250K	4027A400K	4027A800K	4027A2M
	4027A4M	4027A10M	4027A12M	4027A25M
	4027A35M	4027A60M	4027A100M	4027A150M
<b>4027F Series Sensors</b>	4027F2M	4027F10M	4027F60M	
<b>4028A Series Sensors</b>	4028A250K	4028A400K	4028A2M	4028A3M
	4028A4M	4028A10M	4028A25M	
<b>4028B Series Sensors</b>	4028B10M			

This instruction book is arranged so that essential safety information appears in the front of the book. Reading the Safety Precautions before operating the equipment is strongly advised.

The remainder of this manual is divided into Chapters and Sections. At the start of each chapter, a general overview describes its contents.

### **Operation**

First time users should read Chapter 1 – Introduction and Chapter 2 – Installation to get an overview of equipment capabilities and installation. Experienced operators can refer to Chapter 3 – Operating Instructions. All instructions necessary to manually operate the equipment appear in this chapter. If the power meter is equipped with a IEEE-488 GPIB Interface refer to Chapter 4 – IEEE-488 GPIB Interface. For the RS-232 Interface refer to Chapter 5 – RS-232 Interface.

### **Maintenance**

All personnel should be familiar with preventative maintenance found in Chapter 6 – Maintenance. If a failure should occur, the troubleshooting section will aid in isolating and repairing the failure. A list of replacement parts with part numbers is also in this chapter.



### ***Changes To This Manual***

We have made every effort to ensure this manual is accurate. If you should discover any errors, or if you have suggestions for improving this manual, please send your comments to our factory. This manual may be periodically updated. When inquiring about updates to this manual refer to the part number and revision level on the title page.

# Table of Contents

---

<b>Safety Precautions</b> . . . . .	<b>i</b>
<b>About This Manual</b> . . . . .	<b>vi</b>
<b>Introduction</b> . . . . .	<b>1</b>
Power Meter . . . . .	1
Items Supplied . . . . .	1
Optional Accessories . . . . .	1
Power Sensors . . . . .	2
4020 Series. . . . .	2
4027A Series . . . . .	2
4027F Series. . . . .	3
4028 Series. . . . .	3
Frequency and Power Ranges . . . . .	3
4020 Series. . . . .	3
4027A Series . . . . .	4
4027F Series. . . . .	4
4028 Series. . . . .	4
<b>Installation.</b> . . . . .	<b>5</b>
Interface Module . . . . .	5
Sensor Connection . . . . .	6
RF Line Connection . . . . .	6
Handle Operation . . . . .	6
115/230V AC Power Selection . . . . .	7
Setting AC Voltage . . . . .	7
AC Line Connectors . . . . .	7
<b>Operating Instructions</b> . . . . .	<b>9</b>
Push Button Functions . . . . .	9
Error Codes . . . . .	10
Audible Warning . . . . .	10
<b>IEEE-488 GPIB Interface</b> . . . . .	<b>11</b>
Description . . . . .	12
Cable Connector. . . . .	12

Interface Capabilities . . . . .	13
Indicators . . . . .	13
Setup . . . . .	14
Dip Switch . . . . .	14
Talker-Only Mode . . . . .	14
Command Syntax . . . . .	15
General Bus Commands . . . . .	16
Device Dependent Commands . . . . .	19
<b>RS-232 Interface . . . . .</b>	<b>27</b>
Description . . . . .	27
Cable Connector . . . . .	27
Indicators . . . . .	27
Setup . . . . .	28
DIP Switch . . . . .	28
Auto Baud . . . . .	28
Talker-Only Mode . . . . .	29
Command Syntax . . . . .	29
General Bus Commands . . . . .	30
Device Dependent Commands . . . . .	32
<b>Maintenance . . . . .</b>	<b>39</b>
Troubleshooting . . . . .	39
Functional Test . . . . .	41
Push Button Test . . . . .	41
Repair . . . . .	42
Fuse . . . . .	42
Customer Service . . . . .	43
Specifications . . . . .	44
Replacement Parts . . . . .	52
Available Connectors . . . . .	52



## Power Meter

The Bird 4421 RF Power Meter is one component of a complete RF power measurement system. An RF power sensor such as a Bird 4021 is also required. The system can be controlled with the front panel buttons, or remotely with the optional interfaces.

### Items Supplied

- Bird 4421 RF Power Meter
- AC Power Cord
- Sensor Cable
- Instruction Manual

### Optional Accessories

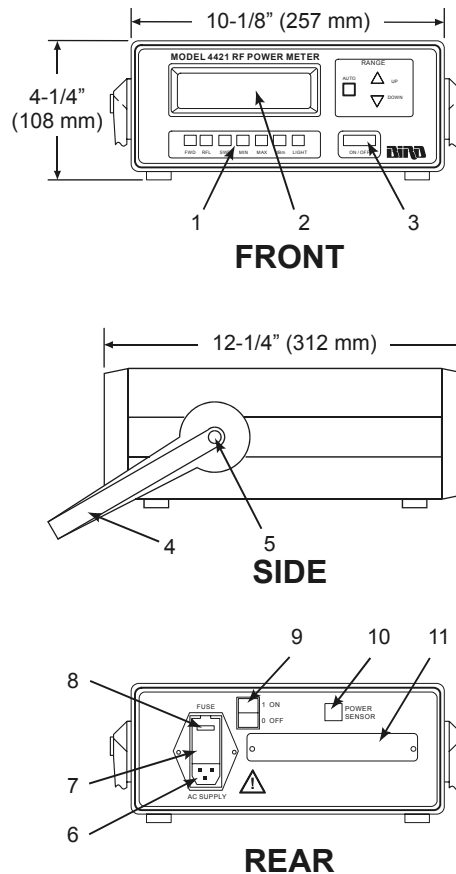
**Panel Mount Kit (P/N 4421-250):** Allows the Bird 4421 to be installed in a standard 19" panel for rack mount applications.

**IEEE-488 GPIB Bus Interface Module (P/N 4421-488):** Allows the 4421 to be remotely controlled over an IEEE-488 general purpose interface bus (GPIB). A GPIB controller, usually a computer, can then give commands and read data.

**RS-232 Bus Interface Module (P/N 4421-232):** Allows the 4421 to be remotely controlled over an RS-232 interface. A computer or terminal can then give commands and read data.

**Null Modem Kit (P/N 4380-250):** Contains the hardware necessary to allow the 4421 to be remotely controlled by controllers with different wiring arrangements. Requires an RS-232 interface module.

Figure 1  
Bird 4421 Meter  
Outline Drawing



1. Operating Push Buttons
2. LCD
3. ON/OFF Push Button
4. Handle
5. Central Button
6. AC Line Module
7. Access Door
8. Voltage Selector
9. Master ON/OFF Switch
10. Power Sensor Socket
11. Interface Module Access

## Power Sensors

Power sensors are available with a variety of connectors; see “Available Connectors” on page 52 for a complete list. Since the accuracy is critically dependent on the connectors used at calibration, do not remove or change the connectors.



### CAUTION

Changing the sensor’s connectors will invalidate calibration data, and may reduce the maximum power rating of the unit.

#### 4020 Series

Bird 4020 Series Power Sensors are designed for lab or field use and are accurate to within  $\pm 3\%(1\sigma)$  of reading.

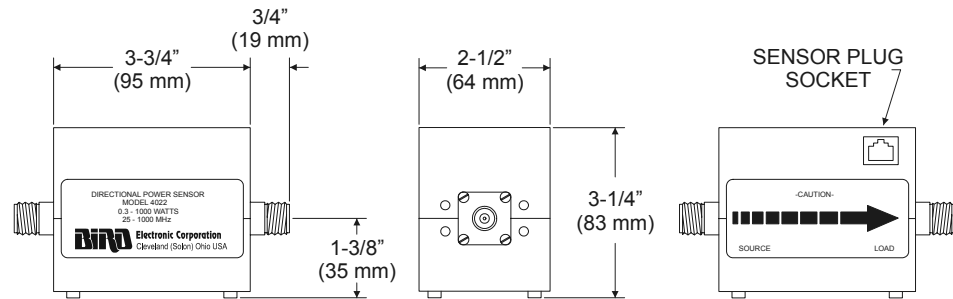
#### 4027A Series

Bird 4027A Series Power Sensors are designed for use in semiconductor processing and calibration applications. Stringent calibration provides long-term unit-to-unit repeatability, allowing consistent amounts of RF energy to be applied to the etch process over many etch cycles. 4027A Sensors are accurate to  $\pm 1\%(1\sigma)$  at specified calibration frequencies and power levels.

**4027F Series**

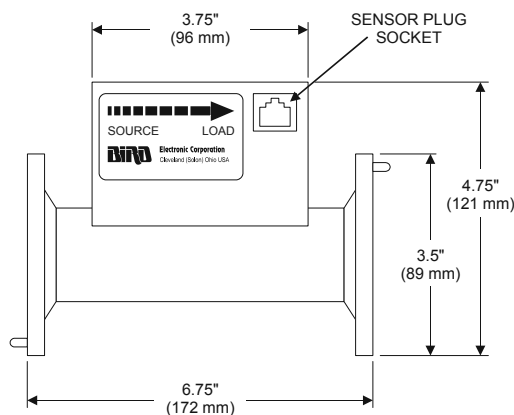
Bird 4027F Series Power Sensors are similar to the 4027A series. However, additional filtering allows the 4027F to ignore harmonics of the signal being measured. The 4027F is also less sensitive to AM components of the signal. 4027F Sensors are accurate to  $\pm 1\%(2\sigma)$  at specified calibration frequencies and power levels.

Figure 2  
Power Sensor  
Outline Drawing,  
4020, 4027A, 4027F,  
and 4028A Series

**4028 Series**

Bird 4028 Series Power Sensors are high power sensors otherwise similar to the 4027A series. 4028A sensors are based on a 7/8" line, while 4028B sensors use a 1-5/8" line. 4028 Sensors are accurate to  $\pm 2\%(2\sigma)$  at specified calibration frequencies and power levels.

Figure 3  
Power Sensor  
Outline Drawing  
4028B Series only



## Frequency and Power Ranges

**4020 Series**

Model	Frequency Range	RF Power Range
4021	1.8 – 32 MHz	300 mW – 1 kW
4022	25 – 1000 MHz	300 mW – 1 kW
4024	1.5 – 32 MHz	3 W – 10 kW
4025	100 kHz – 2.5 MHz	3 W – 10 kW

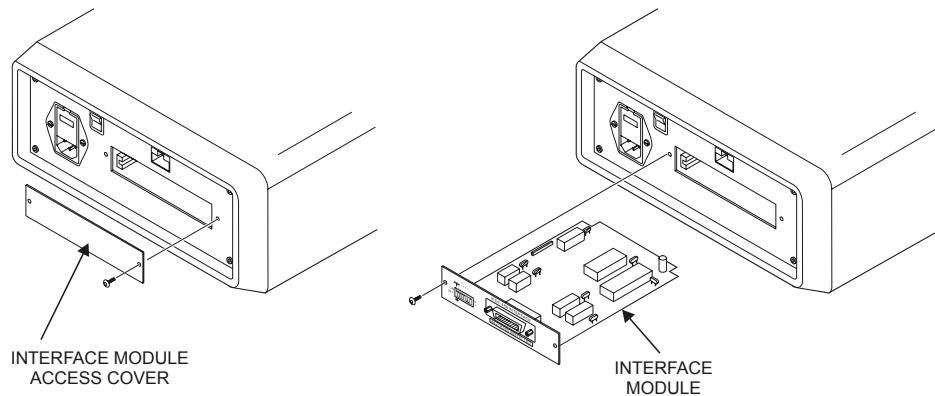
<b>4027A Series</b>	4027A250K	250 – 400 kHz	3 W – 10 kW	
	4027A400K	400 – 550 kHz	3 W – 10 kW	
	4027A800K	800 – 950 kHz	3 W – 10 kW	
	4027A2M	1.5 – 2.5 MHz	3 W – 10 kW	
	4027A4M	3 – 5 MHz	3 W – 10 kW	
	4027A10M	10 – 15 MHz	3 W – 10 kW	
	4027A12M	10 – 15 MHz	300 mW – 1 kW	
	4027A25M	25 – 30 MHz	3 W – 9 kW	
	4027A35M	35 – 45 MHz	3 W – 7.5 kW	
	4027A60M	45 – 65 MHz	3 W – 6 kW	
	4027A100M	95 – 105 MHz	3 W – 5 kW	
	4027A150M	150 – 170 MHz	3 W – 4 kW	
	<b>4027F Series</b>	4027F2M	1.8 – 2.2 MHz	100 W – 10 kW
		4027F10M	12 – 15 MHz	100 W – 10 kW
4027F60M		57 – 63 MHz	100 W – 3 kW	
<b>4028 Series</b>	4028A250K	250 – 400 kHz	1 kW – 20 kW	
	4028A400K	400 – 550 kHz	1 kW – 20 kW	
	4028A2M	1.5 – 2.5 MHz	1 kW – 25 kW	
	4028A3M	2.5 – 3.5 MHz	1 kW – 25 kW	
	4028A4M	3.5 – 4.5 MHz	1 kW – 25 kW	
	4028A10M	10 – 15 MHz	1 kW – 25 kW	
	4028A25M	25 – 30 MHz	1 kW – 25 kW	
	4028B10M	10 – 15 MHz	1 kW – 25 kW	



This chapter provides information on preparing the Bird 4421 for use.

### Interface Module

*Figure 4  
Interface Module  
Installation*



#### CAUTION

The interface module contains electrostatic discharge (ESD) sensitive components. Failure to observe ESD precautions can cause permanent damage.

To use the Bird 4421 remotely, the optional interface module must be installed (see Figure 4):

1. Unscrew and remove the interface access cover on the power meter's rear panel.
2. Remove the interface module from its conductive bag.
3. Align the module edges with the side guides in the meter and slide the interface module into the access slot.
4. Press on the front edge of the module until it seats fully.
5. Screw the module into place with the access cover screws.
6. Connect the power meter to a suitable controller using the cable supplied with the interface module.

## Sensor Connection



### CAUTION

Changing the sensor's connectors will invalidate calibration data, and may reduce the maximum power rating of the unit.

### CAUTION

The Bird 4421 must be powered off when connecting or disconnecting the power sensor from the power meter.

1. Turn OFF the ON/OFF rocker switch on the meter's *rear* panel.
2. Align the latch on the cable with the notch of the "Power Sensor" socket on the power meter's rear panel.
3. Insert the cable until it clicks into place.
4. Connect the other end of the sensor cable to the sensor.

## RF Line Connection

### WARNING

Never attempt to connect or disconnect RF equipment from the transmission line while RF power is being applied. Leaking RF energy is a potential health hazard.

### CAUTION

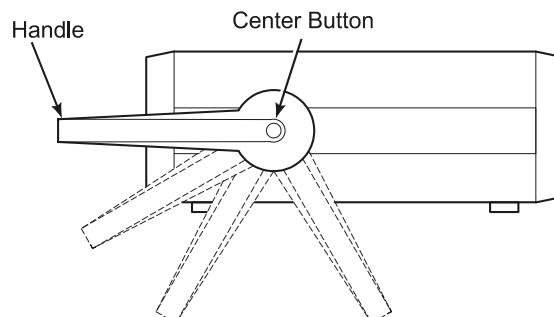
Do not use the power sensor with a load VSWR greater than 2:1. Damage to the power meter, power sensor, or the RF power source could occur.

Connect the end of the power sensor labeled "SOURCE" to the RF source. Connect the end labeled "LOAD" to the load or antenna. Reversing these connections will cause measurement errors.

## Handle Operation

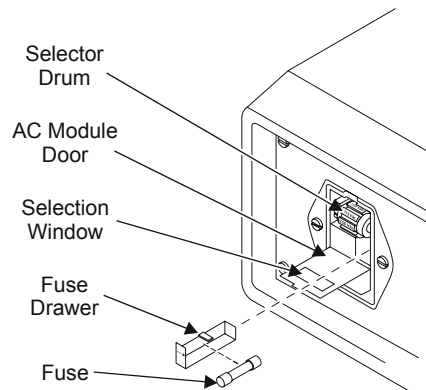
The handle on the Bird 4421 can be set to four different positions (see Figure 5). To adjust the handle, press the center buttons on both sides. Releasing the buttons will lock the handle into position.

Figure 5  
Handle Positions



## 115/230V AC Power Selection

Figure 6  
Voltage Selection



### WARNING

To avoid personal injury, disconnect the power cord from the ac line before performing any maintenance, including fuse replacement or changing the line voltage setting.

### CAUTION

Be sure that the 115/230 voltage selector on the 4421's rear panel is set to the proper voltage before ac power is applied.

### CAUTION

Failure to install the properly rated fuse may result in equipment damage or nuisance failures.

### Setting AC Voltage

The 4421 is factory set for 115 Vac input voltage. To change the voltage setting:

1. Open the ac module door and remove the fuse drawer and the voltage selector drum.
2. Install the new fuse and replace the fuse drawer.

AC Line Voltage	Fuse Rating
115 Vac	T250 mA, 5x20 mm Time Lag Fuse
230 Vac	T125 mA, 5x20 mm Time Lag Fuse

3. Rotate the voltage selector drum to the desired voltage:
  - For 115 Vac, position the drum so that the second line on the drum will be visible through the window.
  - For 230 Vac, position the drum so that the third line on the drum will be visible through the window.
4. Replace the voltage selector drum and close the ac module door.

### AC Line Connectors

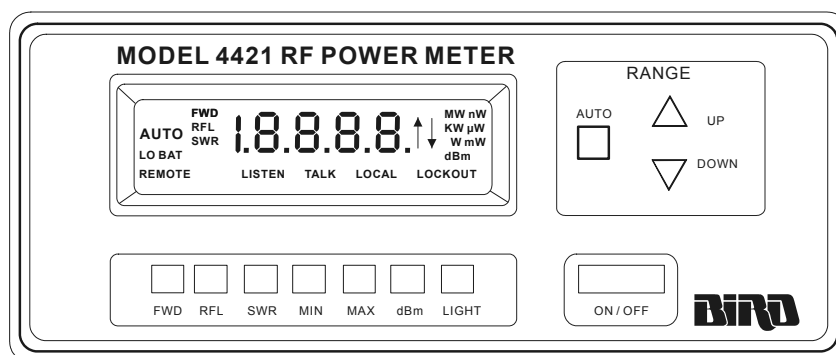
To make the ac line cord compatible with European style sockets, users must install the appropriate connector on the power cord.



This chapter describes operator controls and indicators on the Bird 4421 RF Power Meter. If your power meter is equipped for remote operation using a GPIB or RS-232 controller, refer to the instructions in Chapter 4 or Chapter 5 respectively.

### Push Button Functions

Figure 7  
Push Buttons



Push Button	Description
FWD, RFL	Press to measure forward (reflected) RF power. FWD (RFL) indicator and current unit of measure turn on.
SWR	Press to measure standing wave ratio. SWR indicator turns on. Value displayed will be between 1.0 and 199.9
MIN, MAX	Used after pressing FWD, RFL, SWR, or dBm. Displays the minimum (maximum) measured value of the previous function as long as MIN (MAX) is held down.
dBm	Used after pressing FWD or RFL. dBm indicator turns on. Power is displayed in dBm units.  Used after pressing SWR. Return loss is displayed.
LIGHT	Press to turn on or turn off the display's backlight. If left on, the light automatically shuts off after 30 minutes.
AUTO	Press to automatically set the scale. AUTO turns on.
UP, DOWN	Press to select the next higher (lower) scale. If the scale is too high for the power sensor, an error will be displayed.  Used while AUTO indicator is on. Stops automatic scaling. AUTO indicator turns off.
ON/OFF	Press to turn the power meter on or off.

## Error Codes

The Bird 4421 displays error codes when the RF power is either below the selected range (underrange) or above the selected range (overrange). Figure 8 displays the error codes and Figure 9 lists the function limits.

Figure 8  
Error Codes

Symbol	Explanation
□□	Value greater than overrange limit of function
□□	Value less than underrange limit of function

Figure 9  
Function Limits

Function	Limit	Error
FWD, RFL	Power > 199.9% of full scale or 120% of top range	Overrange
FWD dBm, RFL dBm	Power > 120% of full scale Power < 3% of low range	Overrange Underrange
SWR	FWD < 20% of low range FWD – RFL = 0	Underrange Overrange
Return Loss	FWD < 20% of low range RFL < 20% of low range Return Loss > 40 dB	Underrange Underrange Underrange

## Audible Warning

If the RF power level exceeds 120% of the power sensor's maximum power capability, the power meter will sound a warning buzzer.

This chapter discusses setup of the IEEE-488 interface module and describes the IEEE commands that apply to the Bird 4421. Operators should understand IEEE standard 488-1978 and have basic computer programming skills before attempting to write any programs.

**CAUTION**

During remote operation, periodically monitor the bus service request line. Failure to detect a service request could result in equipment damage.

## Description

The Bird 4421 IEEE-488 interface module is a plug-in board that can be factory or field installed. An eight-position DIP switch is used to set operational conditions and interface addresses. The current bus status is displayed on the bottom line of the display.

**Cable Connector** The interface module uses a standard IEEE-488 cable connector. Pin assignments are listed in Figure 10.

*Figure 10  
IEEE-488 Pin  
Assignments*

Pin	Designation	Type
1	D101	Data
2	D102	Data
3	D103	Data
4	D104	Data
5	EOI	Management
6	DAV	Handshake
7	NRFD	Handshake
8	NDAC	Handshake
9	IFC	Management
10	SRQ	Management
11	ATN	Management
12	SHIELD	Ground
13	D105	Data
14	D106	Data
15	D107	Data
16	D108	Data
17	REN	Management
18	GROUND	Ground
19	GROUND	Ground
20	GROUND	Ground
21	GROUND	Ground
22	GROUND	Ground
23	GROUND	Ground
24	GROUND, LOGIC	Ground



**Interface Capabilities**

The interface module's capability function codes are listed in Figure 11.

Figure 11  
IEEE-488  
Interface Module  
Capabilities

Code	Name	Description
SH1	Source Handshake	Can handshake data or command bytes when the unit is acting as a source.
AH1	Acceptor	Can handshake the bus when it is acting as the acceptor of data or commands.
T5	Talker	Can send data over the bus to other devices. This capability exists only after the instrument has been addressed to talk, or after a reading in talk-only mode.
L4	Listener	Can receive device-dependent data over the bus. This capability exists only after the unit has been addressed to listen.
SR1	Service Request	Can request service from the controller.
RL1	Remote-Local	Can be placed in remote or local mode.
PP0	Parallel Poll	Does not have parallel polling capability.
DC1	Device Clear	Can be reset to factory settings.
DT1	Device Trigger	Can have its readings triggered.
C0	Controller	Does not have controller capability.
E1	Bus Driver Type	Has open-collector bus drivers.
TE0	Extended Talker	Does not have extended talker capability.
LE0	Extended Listener	Does not have extended listener capability.

**Indicators**

The bottom line of the power meter's display shows indicators describing the status of the Bird 4421 when used with the IEEE interface. These are:

**REMOTE:** When REMOTE is displayed, the power meter is being controlled through the interface. Measurements, units of measure, and certain other parameters may be changed from a remote location.

**LISTEN:** When LISTEN is displayed, the power meter is receiving data.

**TALK:** When TALK is displayed, the power meter is transmitting data. This is always shown when the unit is in "talker-only" mode.

**LOCAL LOCKOUT:** When LOCAL LOCKOUT is displayed, the push buttons are disabled and the power meter's functions are being remotely controlled.

## Setup

**Dip Switch** After installing the interface module, set the interface to ADDR (Addressable) by turning DIP switch 1 ON. This makes the 4421 respond to controller commands.

**NOTE:** A DIP switch is on when pressed in at the top, and off when pressed at the bottom.

Set the primary address using the DIP switches. The primary address is factory set to 6, but can be set to any value between 1 and 31 (0 is reserved for the controller) To set the primary address, turn OFF switches 4 – 8 so that the sum of the bits turned off equals the desired primary address. In Figure 12 below, the address is set to 6 (the off switches have values of 4 and 2).

Figure 12  
IEEE Interface Default  
DIP Switch Settings



**NOTE:** The primary address is used by the controller to refer to specific devices on the bus. When programming the controller, the address in the program must be the same as the address set on the interface module. Each device on the bus must have a different primary address.

**Talker-Only Mode** The Bird 4421 can be set up for manual operation while automatically sending data to an output device (Talker-Only Mode). To do so, turn DIP switch 1 OFF and cycle the power. TALK will be displayed.

In Talker-Only mode, pressing a button on the meter triggers a measurement. When the measurement is complete, the information is sent to the bus and LISTEN turns on momentarily. A listen-only device on the bus, such as a printer, can read the value. The power meter is then ready to accept another button press.

## Command Syntax

The Bird 4421 accepts two types of commands. General bus commands are commands, such as Device Clear (DCL), that apply to any IEEE interfaced device. Device-dependent commands are specific to the 4421.

If an invalid command is sent to the unit, an error condition is placed in the serial poll byte and the offending command is not executed.

A group of device-dependent commands can be sent as a single string as long as like command categories are not repeated, for example: "PNFCFDT3TRG". This string sets up the 4421 to send no prefixes, read forward dBm, make one reading on "TRG", and triggers a measurement.

☞ NOTE: Commands can be entered in either upper or lower case.

☞ NOTE: Only the last command entered of each category will be executed. As a command string is processed by the 4421, each category of command is stored in a separate location. Two commands of the same category will be stored in the same location, so that the second will overwrite and erase the first one.

## General Bus Commands

The general bus commands supported by the IEEE-488 interface module are listed in Figure 13. The syntax for executing general commands varies among controllers; check the documentation supplied with your controller for the proper command structure.

Figure 13  
IEEE-488  
General Bus  
Commands

Command	Effect on Bird 4421
REN	Goes into remote mode when next addressed
GTL	Cancels remote mode, restores local operation
LLO	Locks out local operation
IFC	Goes into talker and listener-idle status
DCL	Returns to default conditions
SDC	Returns to default conditions
GET	Triggers reading in T2 and T3 modes
SPE, SPD	Puts the status byte on the bus

---

### Remote ENable (REN)

---

**Function** Enables remote operation.

**Remarks** The unit must be addressed to listen after setting REN true.  
The REMOTE indicator turns on when this command is received.

---

### Go To Local (GTL)

---

**Function** Returns device to local operation.

**Remarks** Issuing a GTL command while the device is in Local Lockout mode does not clear the lockout condition.  
The REMOTE indicator turns off.  
The LISTEN indicator remains on.

---

### Local LOckout (LLO)

---

**Function** Disables local operation of all devices on the bus.

**Remarks** REN must be true to use LLO.  
LLO is cleared by setting REN false.

---

**InterFace Clear (IFC)**


---

- Function** Terminates all bus activity and passes control to the system controller.
- Remarks** All devices are set to talker and listener idle states.  
REN is set to false.  
REMOTE, TALK, LISTEN, and LOCAL LOCKOUT modes are cancelled, and their indicators are turned off.

---

**Device CLear (DCL)**


---

- Function** Resets the status of all devices to an initialized state.
- Remarks** Does not change the current interface mode.  
The 4421 returns to the factory default condition listed in Figure 14.

*Figure 14  
IEEE-488 Default  
Conditions*

Default Condition	Related Command
Forward Carrier Wave	FC
Auto Range ON	RYY
Two Terminators (CR LF)	YT
Prefixes YES	PY
Trigger One Shot on Talk Address	T1
All SRQ's OFF	M00
Send EOI with last byte of message	KY

---

**Selective Device Clear (SDC)**


---

- Function** Resets the status of a selected device to an initialized state.
- Remarks** Only the device addressed will be cleared.  
The 4421 returns to the factory default condition.

---

**Group Execute Trigger (GET)**


---

- Function** Initiates a measurement for all devices set to trigger on GET.
- Remarks** The 4421 must be already set to trigger on GET.  
Used to synchronize measurements of multiple instruments.

---

**Serial Polling Enable/Disable (SPE/SPD)**


---

**Function** Enables or disables the serial polling sequence.

**CAUTION**

During remote operation, periodically monitor the bus service request line. Failure to detect a service request could result in equipment damage.

**Remarks** The SPE command puts all devices in serial poll mode waiting to be addressed. The SPD command clears the SRQ bit (bit 6) and ends the polling sequence.

When addressed a device sends its status byte to the controller. A value of 1 for a bit means that the device condition that bit refers to is true. A value of 0 means that the condition is false.

The 4421 does not use all bits of the status byte. Figure 15 lists the bits used, along with a description and how to reset them.

*Figure 15  
IEEE Status  
Byte Description*

Bit	Name	Condition
6	SRQ	Set if a service request is generated by the 4421. If an SRQ has been received by the controller and this bit is cleared, other instruments on the bus should be checked to determine where the SRQ occurred.  Cleared by a serial poll of the 4421.
3	Measurement Complete	Set when the power meter has completed a reading.  Cleared by requesting a reading over the bus.
2	Reading Underflow	Set when the RF power is underrange and a reading has been completed.  Cleared by requesting a reading over the bus.
1	Reading Overflow	Set when the RF power is overrange and a reading has been completed.  Cleared by requesting a reading over the bus.
0	Error	Set if an illegal device-dependent command (IDDC) or illegal device-dependent command option (IDDCO) was received, or if the power meter fails the self test.  Cleared by reading the U1 status word. The U1 word contains details on the error, see "Status" on page 24.

## Device Dependent Commands

The device-dependent commands used by the 4421 Power Meter are listed in Figure 16, organized by category.


 NOTE: The programming card also has a complete command list.

Figure 16  
IEEE-488  
Device Dependent  
Command  
Summary

Category	Command	Description
Measurement	FC	Forward carrier wave
	FD	Forward dBm
	RC	Reflected carrier wave
	RD	Reflected dBm
	SW	Standing wave ratio
	RL	Return loss
	MN	Minimum value
	MX	Maximum value
Range	RYY	Auto range on
	R00 to R17	Manual ranges
	RNN	Auto range off, stay at present range
Terminators	YT	Two terminators: CR, LF
	YO	One terminator: CR
	YN	No terminator
Prefixes	PY	Prefix YES
	PN	Prefix NO
Triggers	T0	Continuous on TALK
	T1	One shot on TALK
	T2	Continuous on GET
	T3	One shot on GET
	T4	Continuous on measurement command
	T5	One shot on measurement command
Serial Polling	M00	Do not generate SRQ
	M01	Generate SRQ on error
	M02	Generate SRQ on measurement overrange
	M04	Generate SRQ on measurement underrange
	M08	Generate SRQ on operation complete
Status	U0	Send back current machine state
	U1	Send back error conditions
	U2	Send back revision levels
Self-Test	J0	Run self-test
EOI Response	KY	Send EOI on last byte
	KN	Do not send EOI on last byte
Writable Store	WXXXXXX	Place XXXXXX in RAM

---

**Forward Carrier Wave** (FC)  
**Forward dBm** (FD)  
**Reflected Carrier Wave** (RC)  
**Reflected dBm** (RD)

---

**Function** Selects forward or reflected RF power measurement mode.

**Remarks** Measurement results are returned in Watts or dBm.

---

**Standing Wave Ratio** (SW)  
**Return Loss** (RL)

---

**Function** Selects SWR or return loss match measurement mode.

**Remarks** Measurement results are returned in VSWR or dB.

---

**MiNimum Value** (MN)  
**MaXimum Value** (MX)

---

**Function** Selects minimum or maximum measurement mode.

**Remarks** Another measurement must be selected before selecting min or max.  
Returns the minimum (or maximum) value of the previous measurement type.



---

**Range (Rxx)**


---

**Function** Selects a measurement range listed in Figure 17.

**Remarks** If the selected range is outside the range of the connected power sensor, the command is ignored.

*Figure 17  
Measurement  
Ranges*

Command	Power Range
RYY	Turn auto range on
RNN	Turn auto range off. Keep present range
R17	18.0 – 199.9 MW
R16	1.80 – 19.99 MW
R15	0.180 – 1.999 MW
R14	18.0 – 199.9 kW
R13	1.80 – 19.99 kW
R12	0.180 – 1.999 kW
R11	18.0 – 199.9 W
R10	1.80 – 19.99 W
R09	0.180 – 1.999 W
R08	18.0 – 199.9 mW
R07	1.80 – 19.99 mW
R06	0.180 – 1.999 mW
R05	18.0 – 199.9 $\mu$ W
R04	1.80 – 19.99 $\mu$ W
R03	0.180 – 1.999 $\mu$ W
R02	18.0 – 199.9 nW
R01	1.80 – 19.99 nW
R00	0.180 – 1.999 nW

---

**Terminators (Yx)**


---

**Function** Selects the characters that follow the end of a data string. Set x to:

- “T” for two terminators; a carriage return(CR) and a line feed(LF).
- “O” for one terminator; a carriage return(CR).
- “N” for no terminator; message can be terminated by EOI.

**Remarks** Many controllers use the terminator sequence to recognize the end of an input string. Using incorrect terminators can lock the bus.

**Prefixes (Px)**

**Function** Turns the prefix mode on or off. Set x to:

- “Y” to enable prefixes.
- “N” to disable prefixes.

**Remarks** Prefixes are sent over the bus with the measurement, and indicate the status of the current measurement (see Figure 18 for examples):

- “FC”, “FD”, “RC”, “RD”, “SW”, “RL”, “MN”, “MX” indicates the measurement type.
- “U” indicates underflow; the value sent is “.000”.
- “O” indicates overflow; the value sent is “199.9”.
- “N” indicates normal; the value sent is a normal on-scale reading.
- “4421” indicates the Bird model number.

*Figure 18  
Prefix Examples*

<b>Data String</b>	<b>Description</b>
NFC.0.123W(CR) (LF)	Normal (N) forward carrier wave (FC), prefixes on
OFC 199.9W(CR) (LF)	Overflowed (O) forward carrier wave (FC), prefixes on
199.9W(CR) (LF)	Overflowed forward carrier wave, prefixes off
URD .000W(CR) (LF)	Underflowed (U) reflected dBm (RD), prefixes on

---

**Triggers (Tx)**


---

- Function** Selects the condition which will trigger a reading (see Figure 19).
- Remarks** Failure to trigger device before requesting a reading will lock the bus. T1 halts the bus until a reading is available. T0 and T1 do not set the measurement complete SRQ. T2, T3, T4, and T5 set a SRQ when the measurement is complete. Fastest reading rate is 2.4 readings/second; slowest is 1 reading/sec.

Figure 19  
Trigger Conditions

Command	Trigger Condition
T0	Continuous on talk
T1	One shot on talk
T2	Continuous on GET
T3	One shot on GET
T4	Continuous on measurement command (FC,FD, RC, RD, SW, RL, MN, MX)
T5	One shot on measurement command (FC, FD, RC, RD, SW, RL, MN, MX)

---

**SRQ Mask (Mxx)**


---

- Function** Selectively masks status bits to prevent unwanted service requests. Set xx to the sum of the binary values of the desired SRQ trigger bits. For example, M12 would set the SRQ for both operation complete and underrange (values 8 and 4). Set xx to "00" to never generate an SRQ.
- Remarks** If a status bit is masked (bit set to 0), SRQs won't be generated for that condition.

Figure 20  
SRQ Mask Bits

Binary Value	Bit Number	Message
1	0 (LSB)	Error (IDDC, IDDCO, self-test fail)
2	1	Measurement overrange
4	2	Measurement underrange
8	3	Operation complete
	4	Not Used
	5	Not Used
	6	Can't mask
	7 (MSB)	Not Used

Status (Ux)

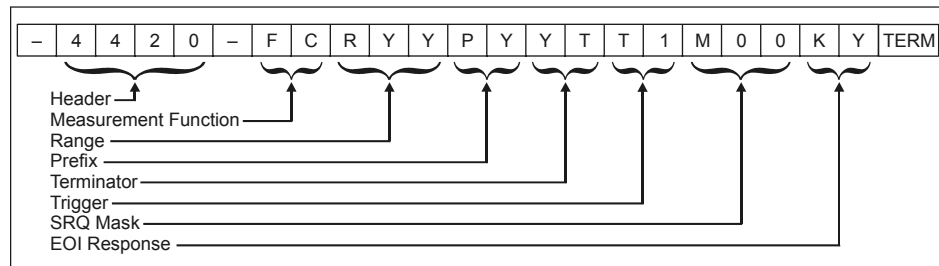
**Function** Reads a status word and returns the information as a string. Set x to:

- “0” for machine status.
- “1” for error status.
- “2” for revision history.

**Remarks** After sending the status command, a status word is sent the next time the unit is addressed to talk. To ensure the correct status is transmitted, the status word should be requested as soon as possible after the command is sent.

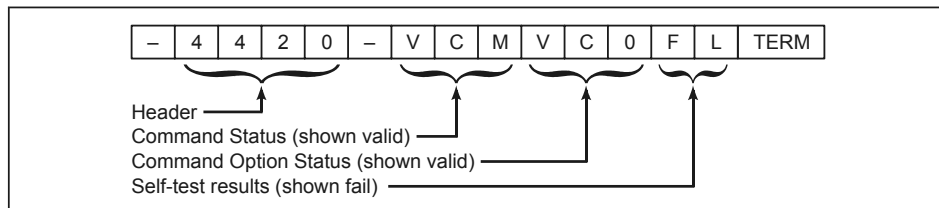
**Machine Status Word (U0):** The format of the machine status word is shown in Figure 21. The default values are also shown.

Figure 21  
Machine Status  
Word Format



**Error Status Word (U1):** The format of the error status word and the possible error messages are shown in Figure 22. When an error occurs, an error is also flagged in the status (serial poll) byte, and a SRQ may be generated (See “SRQ Mask” on page 23). All flags will revert to their non-error states after the U1 command is sent.

Figure 22  
Error Status  
Word Format

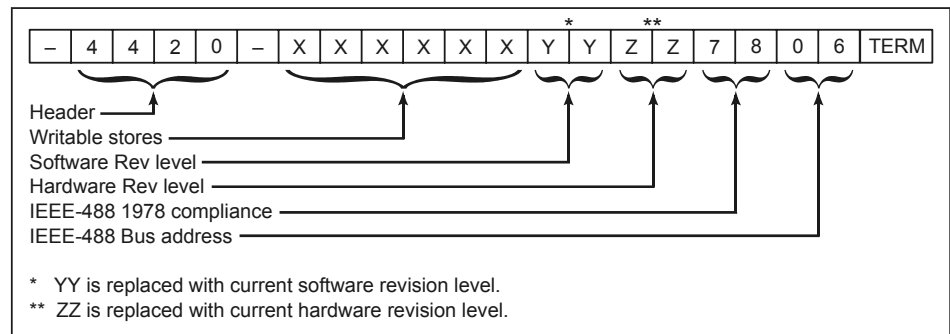


Status	Meaning	Description
ICM	Invalid Command	Set when an illegal device-dependent command (IDDC) such as V2 is received. (V is illegal)
VCM	Valid Command	Set when no IDDC is received.
ICO	Invalid Command Option	Set when an illegal device-dependent command option (IDDCO) such as T6 is received. (6 is illegal)

VCO	Valid Command Option	Set when no IDDCO is received.
PS	Self-Test Pass	Set when a self-test has been initiated by the J0 command and the test result is acceptable.
FL	Self-Test Fail	Set when the self-test has failed. (This is the default condition.)

**Revision History Word (U2):** The format of the revision history word is shown in Figure 23.

Figure 23  
Revision History  
Word Format



## Self Test (J0)

**Function** Initiates a hardware and software test.

**Remarks** Results are stored in the U1 status word (see “Status” on page 24). “J0” must be sent each time before reading the result.

## End Or Identify (Kx)

**Function** Enables or disables the End or Identify (EOI) signal. Set x to:

- “Y” to enable.
- “N” to disable.

**Remarks** Disabling EOI can cause some controllers to lock unless another terminator is used.

When enabled, EOI is only asserted at the end of a multiple byte string.

---

**Writable Store**    (Wxxxxxx)

---

**Function**    Storage for six bytes of ASCII data.

**Remarks**    Data stored is lost when the 4421 is turned off.  
Data is sent back as part of the U2 status word.

This chapter discusses setup of the RS-232 interface module and describes the RS-232 commands that apply to the Bird 4421. Operators should understand EIA Standard RS-232-C and have basic computer programming skills before writing any programs.

## Description

The Bird 4421 RS-232 interface module is a plug-in board that can be factory or field installed. An eight-position DIP switch is used to set operational conditions such as baud rate, parity, and stop bits. The current bus status is displayed on the bottom line of the display.

### Cable Connector

The interface module uses a standard 25-pin RS-232 connector. Pin assignments are listed in Figure 24. If the controller uses a different wiring arrangement, do not attempt to rewire the interface module's connector. A null modem kit should be used for rewiring instead.

Figure 24  
RS-232 Pin  
Assignments

Pin	Designation	Notes
1	Protection Ground	Chassis Ground
2	Transmit Data	
3	Receive Data	
4	Request to Send	(Output) Set true after module power up
5	Clear to Send	(Input) Set by input device. When true, it enables the module to transmit. When false, it disables transmission.
6	Data Set Ready	(Input) Set internally true by module
7	Signal Ground	Return path for data and control signals
8	Receive Signal DET	(Input) Set true by module
20	Data Terminal Ready	(Output) Set true after module power up

### Indicators

The bottom line of the power meter's display shows indicators describing the status of the Bird 4421 when used with the RS-232 interface. These are:

**TALK:** When TALK is displayed, the power meter is transmitting data. This is always shown when the unit is in "talker-only" mode.

**LISTEN:** When LISTEN is displayed, the power meter is receiving data.

## Setup

**DIP Switch** After installing the interface module, set the DIP switches according to application needs and the requirements of the controller. Available settings and factory defaults are listed in Figure 25.


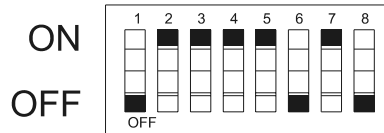
 **NOTE:** A DIP switch is on when pressed in at the top, and off when pressed at the bottom.

Figure 25  
RS-232 Interface  
Default DIP Switch  
Settings



Switch	Function	Description			
1	Stop Bit	ON	1 Stop Bit		
		OFF	2 Stop Bits*		
2	Command Mode	ON	ENT command needed before sending reading to controller*		
		OFF	Trigger automatically sends reading Reading also sent when front panel push button pressed		
3	Word Length	ON	8 Data Bits*		
		OFF	7 Data Bits		
4,5	Parity	(4)	(5)		
		ON	ON	No Parity*	
		ON	OFF	Odd Parity	
		OFF	ON	Even Parity	
		OFF	OFF	Mark Parity	
6,7,8	Baud Rate	(6)	(7)	(8)	
		ON	ON	ON	Auto Baud <sup>†</sup>
		ON	ON	OFF	110
		ON	OFF	ON	300
		ON	OFF	OFF	600
		OFF	ON	ON	1200
		OFF	ON	OFF	2400*
		OFF	OFF	ON	4800
		OFF	OFF	OFF	9600

\* Factory setting

<sup>†</sup> For more information see "Auto Baud"

**Auto Baud** Auto Baud is used to automatically determine the correct transmission rate. After setting DIP switches 1 through 5, follow the steps below to use auto baud:

1. Set DIP switches 6, 7, and 8 to ON.
2. Connect a controller to the power meter.
3. Turn the power meter on.



4. Send the character U (hexadecimal 55) from the controller to the power meter.
5. Wait 1 second.
6. If the power meter's front panel displays LISTEN, the baud rate has been determined. If not, repeat steps 4 and 5.

If, after 30 seconds, the module cannot absolutely determine a baud rate, it will choose a rate based on data acquired during the test.

☞ NOTE: Auto Baud is the only automatically chosen setting. Other items such as parity and stop bits must be manually selected.

**Talker-Only Mode** The Bird 4421 can be set up for manual operation while automatically sending data to an output device (Talker-Only Mode). To do so, turn DIP switch 2 OFF and cycle the power. TALK will be displayed.

In Talker-Only mode, pressing a button on the meter triggers a measurement. When the measurement is complete, the information is sent to the bus.

## Command Syntax

The Bird 4421 accepts two types of commands. General bus commands are commands, such as Initialize (INT), that apply to any RS-232 interfaced device. Device-dependent commands are specific to the 4421.

If an invalid command is sent to the unit, an error condition is placed in the serial poll byte and the offending command is not executed.

A group of device-dependent commands can be sent as a single string as long as like command categories are not repeated. For example: "PNFCFDT3TRG". This string sets up the 4421 to send no prefixes, read forward dBm, make one reading on "TRG", and triggers a measurement.

☞ NOTE: Commands can be entered in either upper or lower case.

☞ NOTE: Only the last command entered of each category will be executed. As a command string is processed by the 4421, each category of command is stored in a separate location. Two commands of the same category will be stored in the same location, so that the second will overwrite and erase the first one.

## General Bus Commands

The general bus commands supported by the RS-232 interface module are listed in Figure 26.

Figure 26  
RS-232  
General Bus  
Commands

Command	Effect on Bird 4421
INT	Returns to default conditions
ENT	Sends a reading to the controller
TRG	Triggers reading in T3 mode
B1 to B7	Selects a baud rate
XO/XF	Enables/disables software handshake

---

### INiTialize (INT)

---

**Function** Resets the Bird 4421 and returns it to the factory defaults.

**Remarks** If INT is linked with any other command within a string, it must be separated from that command by a space.

---

### ENTer (ENT)

---

**Function** Makes the power meter transmit a reading to the controller.

**Remarks** A measurement must have already been triggered, placing a reading in the output buffer.

To send a reading whenever a measurement is triggered, set DIP switch 2 to OFF. The ENT command will not need to be sent.

---

### TRiGger (TRG)

---

**Function** Initiates a measurement if the power meter is in trigger mode (T3).

---

**Baud Select (Bx)**


---

**Function** Selects a baud rate listed in Figure 27.

**Remarks** When the meter recognizes a valid Bx command, its baud rate is immediately changed. (The controller is assumed to be transmitting at the new rate; otherwise sending commands would not be possible.)  
This command overrides the DIP switch setting.

*Figure 27  
Baud Rates*

Command	Baud Rate
B1	110
B2	300
B3	600
B4	1200
B5	2400
B6	4800
B7	9600

---

**Xmission Flow Control (XO/XF)**


---

**Function** Enables or disables the XON/XOFF flow control.

- XO enables flow control.
- XF disables flow control.

**Remarks** When data is being sent from the power meter to the computer and flow control is enabled, data transmission will be suspended when the XOFF character (hexadecimal 13) is sent by the computer. Transmission will resume when XON (hex 11) is sent by the computer.  
When data is being sent from the computer to the power meter, XOFF will be sent to the computer when the input buffer fills up. XON will be sent to the computer when the buffer has emptied.

## Device Dependent Commands

The device-dependent commands used by the 4421 Power Meter are listed in Figure 28, organized by category.


 NOTE: The programming card also has a complete command list.

Figure 28  
RS-232 Device  
Dependent  
Command  
Summary

Category	Command	Description
Measurement	FC	Forward carrier wave
	FD	Forward dBm
	RC	Reflected carrier wave
	RD	Reflected dBm
	SW	Standing wave ratio
	RL	Return loss
	MN	Minimum value
	MX	Maximum value
Range	RYY	Auto range on
	R00 to R17	Manual ranges
	RNN	Auto range off, stay at present range
Terminators	YT	Two terminators: CR, LF
	YO	One terminator: CR
	YN	No terminator
Prefixes	PY	Prefix YES
	PN	Prefix NO
Triggers	T0	Continuous on ENT
	T1	One shot on ENT
	T3	One shot on TRG
	T5	One shot on measurement command
Status	U0	Send back current machine state
	U1	Send back error conditions
	U2	Send back revision levels
Self-Test	J0	Run self-test
Writable Store	WXXXXXX	Place XXXXXX in RAM

---

**Forward Carrier Wave** (FC)  
**Forward dBm** (FD)  
**Reflected Carrier Wave** (RC)  
**Reflected dBm** (RD)

---

**Function** Selects forward or reflected RF power measurement mode.

**Remarks** Measurement results are returned in Watts or dBm.

---

**Standing Wave Ratio** (SW)  
**Return Loss** (RL)

---

**Function** Selects SWR or return loss match measurement mode.

**Remarks** Measurement results are returned in VSWR or dB.

---

**Minimum Value** (MN)  
**Maximum Value** (MX)

---

**Function** Selects minimum or maximum measurement mode.

**Remarks** Another measurement must be selected before selecting min or max.  
Returns the minimum (or maximum) value of the previous measurement type.

---

**Range (Rxx)**


---

**Function** Selects a measurement range listed in Figure 29.

**Remarks** If the selected range is outside the range of the connected power sensor, the command is ignored.

*Figure 29  
Measurement  
Ranges*

Command	Power Range
RYY	Turn auto range on
RNN	Turn auto range off. Keep present range
R17	18.0 – 199.9 MW
R16	1.80 – 19.99 MW
R15	0.180 – 1.999 MW
R14	18.0 – 199.9 kW
R13	1.80 – 19.99 kW
R12	0.180 – 1.999 kW
R11	18.0 – 199.9 W
R10	1.80 – 19.99 W
R09	0.180 – 1.999 W
R08	18.0 – 199.9 mW
R07	1.80 – 19.99 mW
R06	0.180 – 1.999 mW
R05	18.0 – 199.9 $\mu$ W
R04	1.80 – 19.99 $\mu$ W
R03	0.180 – 1.999 $\mu$ W
R02	18.0 – 199.9 nW
R01	1.80 – 19.99 nW
R00	0.180 – 1.999 nW

---

**Terminators (Yx)**


---

**Function** Selects the characters that follow the end of a data string. Set x to:

- “T” for two terminators; a carriage return(CR) and a line feed(LF).
- “O” for one terminator; a carriage return(CR).
- “N” for no terminator.

**Remarks** Many controllers use the terminator sequence to recognize the end of an input string. Using incorrect terminators can lock the bus.

---

**Prefixes (Px)**


---

**Function** Turns the prefix mode on or off. Set x to:

- “Y” to enable prefixes.
- “N” to disable prefixes.

**Remarks** Prefixes are sent over the bus with the measurement, and indicate the status of the current measurement (see Figure 30 for examples):

- “FC”, “FD”, “RC”, “RD”, “SW”, “RL”, “MN”, “MX” indicates the measurement type.
- “U” indicates underflow; the value sent is “.000”.
- “O” indicates overflow; the value sent is “199.9”.
- “N” indicates normal; the value sent is a normal on-scale reading.
- “4421” indicates the Bird model number.

*Figure 30  
Prefix Examples*

Data String	Description
NFC.0.123W(CR) (LF)	Normal (N) forward carrier wave (FC), prefixes on
OFC 199.9W(CR) (LF)	Overflowed (O) forward carrier wave (FC), prefixes on
199.9W(CR) (LF)	Overflowed forward carrier wave, prefixes off
URD .000W(CR) (LF)	Underflowed (U) reflected dBm (RD), prefixes on

---

**Triggers (Tx)**


---

**Function** Selects the condition which will trigger a reading (see Figure 31).

**Remarks** Failure to trigger device before requesting a reading will lock the bus. Fastest reading rate is 2.4 readings/second; slowest is 1 reading/sec.

*Figure 31  
Trigger Conditions*

Command	Trigger Condition
T0	Continuous on ENT
T1	One shot on ENT
T3	One shot on TRG
T5	One shot on measurement command (FC, FD, RC, RD, SW, RL, MN, MX)

Status (Ux)

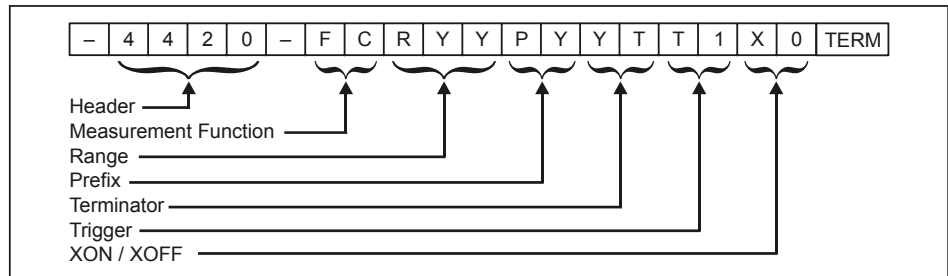
**Function** Reads a status word and returns the information as a string. Set x to:

- “0” for machine status.
- “1” for error status.
- “2” for revision history.

**Remarks** After sending the status command, a status word is sent the next time the unit is addressed to talk. To ensure the correct status is transmitted, the status word should be requested as soon as possible after the command is sent.

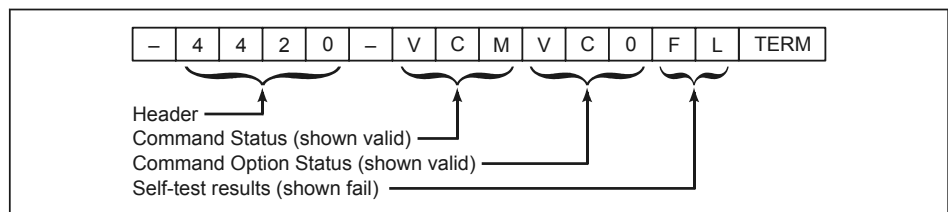
**Machine Status Word (U0):** The format of the machine status word is shown in Figure 32. The default values are also shown.

Figure 32  
Machine Status  
Word Format



**Error Status Word (U1):** The format of the error status word and the possible error messages are shown in Figure 33. All flags will revert to their non-error states after the U1 command is sent.

Figure 33  
Error Status  
Word Format



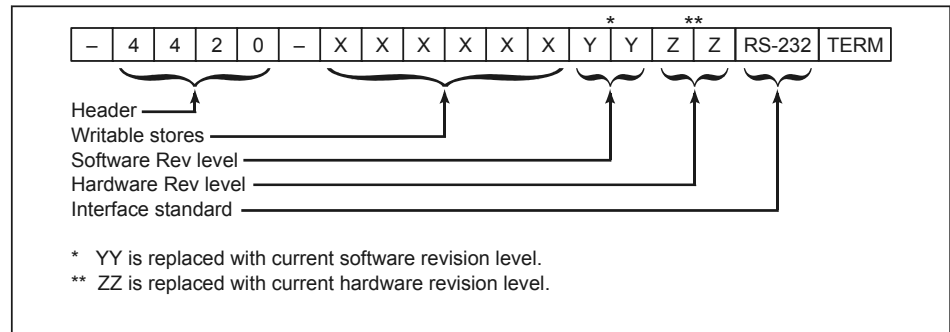
Status	Meaning	Description
ICM	Invalid Command	Set when an illegal device-dependent command (IDDC) such as V2 is received. (V is illegal)
VCM	Valid Command	Set when no IDDC is received.
ICO	Invalid Command Option	Set when an illegal device-dependent command option (IDDCO) such as T6 is received. (6 is illegal)
VCO	Valid Command Option	Set when no IDDCO is received.



PS	Self-test Pass	Set when a self-test has been initiated by the J0 command and the test result is acceptable.
FL	Self-test Fail	Set when the self-test has failed. (This is the default condition.)

**Revision History Word (U2):** The format of the revision history word is shown in Figure 34.

Figure 34  
Revision History  
Word Format




---

## Self Test (J0)

---

- Function** Initiates a hardware and software test.
- Remarks** Results are stored in the U1 status word (see “Status” on page 36). “J0” must be sent each time before reading the result.

---

## Writable Store (Wxxxxxx)

---

- Function** Storage for six bytes of ASCII data.
- Remarks** Data stored is lost when the 4421 is turned off. Data is sent back as part of the U2 status word.



**WARNING**

To avoid personal injury, disconnect the power cord from the ac line before performing any maintenance, including fuse replacement or changing the line voltage setting.

**WARNING**

Never attempt to connect or disconnect RF equipment from the transmission line while RF power is being applied. Leaking RF energy is a potential health hazard.

**WARNING**

The Bird 4421 contains no user-serviceable parts. Do not remove its cover.

The Bird 4421 Power Meter requires only simple, routine maintenance.

- Wipe off dust and dirt regularly.
- Check the connectors and cables for damage.
- Clean the connector contacts with alcohol or dry cleaning solvent.

**Troubleshooting**

Since the power meter and power sensor can only work together, the first step is to determine which is malfunctioning. Connect the power sensor to the meter and perform the functional test on page 41. If the power meter is malfunctioning, refer to the troubleshooting table below. If the power sensor is malfunctioning, return it for service.

**CAUTION**

Due to the complexity of the Bird Power Sensor, field repairs beyond general maintenance should not be attempted. Removal or disturbance of the power sensor cover can result in cancellation of lifetime warranty.

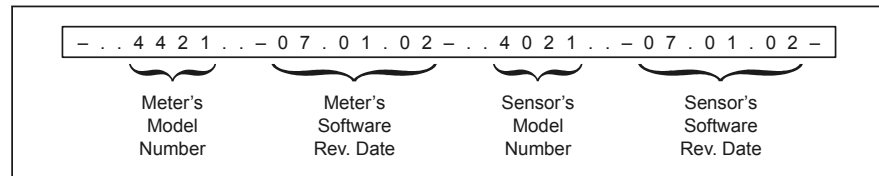
This manual cannot list all malfunctions that may occur, or corrective actions. If a malfunction is not listed or is not corrected by the listed corrective actions, contact a qualified service center.

PROBLEM	POSSIBLE CAUSE	CORRECTION
Power meter has no power	Have the batteries been charged?	Recharge the batteries
	Is the ac power cord connected to the ac line?	Connect ac power
	Is the voltage selector drum set to the wrong line voltage?	Change the selector setting (see "Setting AC Voltage" on page 7)
	Is the ON/OFF rocker switch on the rear panel set to OFF?	Set the switch to ON
	Has the fuse blown?	Check fuse rating and replace fuse (see "Fuse" on page 42)
Dash moves across the display	Is the ac power cord defective?	Replace ac power cord
	Is the sensor cable connected to both the power meter and power sensor?	Connect sensor cable
	Is the sensor cable defective?	Replace sensor cable
Display blank or not updating	Have the batteries been charged?	NO: Recharge battery YES: Return meter for service
Power meter turns off while on battery power	Is "LO BAT" displayed?	YES: Recharge battery NO: Return meter for service
Push buttons do not respond	Test the push buttons (see "Push Button Test" on page 41). Are they defective?	Return meter for service.
Every segment on the display is lit		Return meter for service
IEEE-488 Interface Module does not respond to the interface link	Are the address in the interface program and the address setting on the DIP switches on the interface module the same?	Change the program or DIP switch setting so that the addresses are the same (see "Dip Switch" on page 14)
	Send the "J0" self test command, then check the status. Does the power meter fail the self test?	Replace interface module
	Is the IEEE cable defective?	Replace IEEE interface cable
RS-232 Interface Module does not respond to the interface link. Fails J0 self-test command.	Are the DIP switches set correctly?	Set DIP switches
	Is the RS-232 cable defective?	Replace RS-232 interface cable
With the RS-232 module installed, the power meter displays "TALK" but does not operate as expected.	Is DIP switch 2 set correctly?	For "talk/listen" operation, set this switch to ON. For "talk always" set this switch to OFF.
	Is DIP switch 1 set correctly?	Set DIP switch 1 as indicated in Figure 25

**Functional Test** This test determines whether the power meter or the sensor is malfunctioning.

1. Turn the power meter off. The ON/OFF switch on the *rear* panel should be OFF and the ac power cable should be connected.
2. Turn ON the ON/OFF switch on the *rear* panel of the meter.
3. While holding down the FWD and SWR push buttons, press the ON/OFF button on the *front* panel of the power meter. Immediately release all three.
4. The power meter's model number and revision date should scroll across the display. If a dash “-” is displayed instead, then the meter is malfunctioning.
5. The power sensor's model number and revision date should scroll across the display. If a dash is displayed after the power meter data, then the power sensor is malfunctioning.

Figure 35  
Test Display,  
No Malfunction



**Push Button Test** This test checks that the push buttons and display are functioning properly. If a push button is malfunctioning, return the power meter.

1. Disconnect the power sensor.
2. Turn the power meter ON.
3. After the power up display disappears, three dashes “- - -” should scroll across the display.
4. “AUTO” and “FWD” should be displayed, and a reading of “.000 W”.
5. Press RFL. “FWD” should change to “RFL” on the display. The reading should remain the same.
6. Press SWR. “RFL” should change to “SWR”. “.000 W” should change to “□□” (underrange error).
7. Hold down MIN. “□□” should change to “□□” (overrange error).
8. Release MIN. “□□” should change to “□□”.
9. Hold down MAX. “□□” should change to “.000”.
10. Release MAX. “.000” should change to “□□”.
11. Press dBm. “SWR” should change to “dBm”.
12. Press dBm. “dBm” should change to “SWR”.
13. Press FWD. “SWR” should change to “FWD” and “□□” to “.000 W”.

14. Press LIGHT. The back-light should turn on.
15. Press LIGHT. The back-light should turn off.
16. Press ▲ (up). The power meter should change ranges each time it is pressed until it reaches “.000 KW”.
17. Press ▼ (down). The power meter should change ranges each time it is pressed until it reaches “.000 W”.
18. Turn the power meter OFF.

## Repair

### WARNING

To avoid personal injury, disconnect the power cord from the ac line before performing any maintenance, including fuse replacement or changing the line voltage setting.

### CAUTION

Be sure that the 115/230 voltage selector on the 4421's rear panel is set to the proper voltage before ac power is applied.

### CAUTION

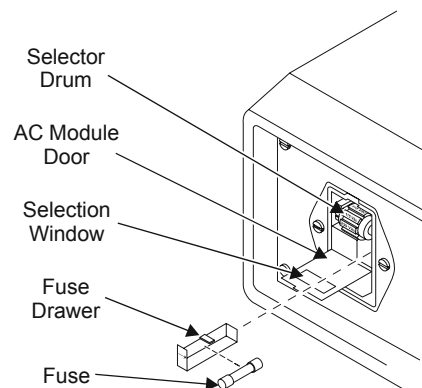
Failure to install the properly rated fuse may result in equipment damage or nuisance failures.

**Fuse** To replace the power meter fuse:

- Open the ac module door on the power meter rear panel.
- Remove the fuse drawer and fuse.
- Install the new fuse and replace the fuse drawer in the ac module.

AC Line Voltage	Fuse Rating
115 Vac	T250 mA, 5x20 mm Time Lag Fuse
230 Vac	T125 mA, 5x20 mm Time Lag Fuse

Figure 36  
AC Line Fuse



## Customer Service

If you need to return the unit for any reason, contact the Bird Service Center for a return authorization. All instruments returned must be shipped prepaid and to the attention of Bird Service Center.

### **Bird Service Center**

30303 Aurora Road

Cleveland (Solon), Ohio 44139-2794

Phone: (440) 519-2298

Fax: (440) 519-2326

E-mail: *bsc@bird-technologies.com*

For the location of the sales office nearest you, give us a call or visit our Web site at:

*<http://www.bird-electronic.com>*

## Specifications

### Bird 4421 RF Power Meter

<b>Frequency Range</b>	Sensor dependent
<b>Power Range</b>	Sensor dependent
<b>VSWR Display</b>	1.0 – 199.9 max
<b>Return Loss Display</b>	0 to 40 dB max
<b>Display Accuracy</b>	± 1 on least significant digit
<b>AC Power</b>	115/230 Vac @ 50/60 Hz
<b>Batteries</b>	8 C-size Nickel Cadmium rechargeable 1.2 volt cells, 15 W max (NEDA Type 10014)
<b>Battery Life</b>	Approximately 8 hours continuous usage
<b>Battery Charger</b>	Built-in battery charger. Drained batteries require approximately 28 hours to recharge.
<b>Display</b>	LCD, 4½ digit display. Indicates mode, measurement units, battery condition, remote status, and signal increase/decrease. Self contained backlight.
<b>Optional Interfaces</b>	IEEE-488 GPIB RS-232
<b>Fuse Rating</b>	IEC (5 x 20 mm) Time Lag Type T
115 Vac	0.25 A
230 Vac	0.125 A
<b>CE</b>	CE Compliant. Refer to Declaration of Conformity for specific standards.
<b>Humidity</b>	95% max. (noncondensing)
<b>Altitude</b>	Up to 10,000 feet (3,000 m)
<b>Temperature Range</b>	
Operating	0 to 50 °C (32 to 122 °F)
Storage	-20 to +50 °C (-4 to +122 °F)
<b>Dimensions</b>	15.5”L x 12.25”W x 4.25”H (393 x 311 x 108 mm)
<b>Weight, Nominal</b>	9.5 lbs. (4.3 kg)



**CAUTION**

Changing the sensor's connectors will invalidate calibration data, and may reduce the maximum power rating of the unit.

**Specifications Common to all Sensors**

<b>Impedance, Nominal</b>	50 ohms
<b>Max. Allowable Terminating VSWR</b>	2.00:1
<b>Calibration Technique</b>	Frequency-specific calibration factors stored in nonvolatile memory in each sensor. Sensor output corrected for frequency and temperature within specified ranges.
<b>Calibration Cycle, Nominal</b>	1 year
<b>Accuracy, Reflected</b>	Calculated from FWD accuracy and FWD power $\text{RFL Accuracy} = \text{FWD Accuracy} + \frac{\text{FWD Power}}{10^{\text{Directivity}/10}}$
<b>Accuracy, VSWR</b>	Calculated from FWD and RFL power $\text{VSWR} = \left(1 + \sqrt{\frac{P_R}{P_F}}\right) / \left(1 - \sqrt{\frac{P_R}{P_F}}\right)$
<b>Sampling Rate, Nominal</b>	2 readings/second
<b>Operating Power</b>	Supplied by power meter via sensor cable
<b>Connectors</b>	
4028B10M	1-5/8" EIA Flanged
4028A Series	7-16 DIN, LC, HN, or 7/8"
All other models	Customer specified from QC list, appropriate for frequency and power.
<b>CE</b>	CE Compliant. Refer to Declaration of Conformity for specific standards.
<b>Humidity, Max.</b>	95% (noncondensing)
<b>Altitude, Max.</b>	10,000 feet (3,000 m)
<b>Temperature Range</b>	
Operating	0 to 50 °C (32 to 122 °F)
Storage	-20 to +70 °C (-4 to +158 °F)
<b>Dimensions</b>	
4028B10M	6.75"L x 3.5"W x 4.75"H (175 x 89 x 121 mm)
4028A Series	4.7"L x 3.2"W x 3.8"H (120 x 82 x 97mm)
All other models	5.2"L x 2.5"W x 3.25"H (137 x 64 x 83 mm)
<b>Weight, Nominal</b>	
4028B10M	5 lb. 2 oz. (2.33 kg)
4028A2M, 3M, 4M, 10M, and 25M	3 lb. 5 oz. (1.5 kg)
All other models	1 lb. 13 oz. (0.8 kg)

## Bird 4020 Series RF Power Sensors

<b>RF Power Range</b>	
4021, 4022	300 mW – 1 kW
4024, 4025	3 W – 10 kW
<b>Frequency Range</b>	
4021	1.8 – 32 MHz
4022	25 MHz – 1 GHz
4024	1.5 – 32 MHz
4025	100 kHz – 2.5 MHz
<b>Accuracy, Fwd, Best Case*</b>	± 3% (1 $\sigma$ )
<b>VSWR, Max.</b>	
4021, 4024, 4025	1.05:1
4022	1.05:1, 25 – 512 MHz 1.10:1, 512 MHz – 1 GHz
<b>Insertion Loss, Max.</b>	
4021, 4024, 4025	0.05 dB
4022	0.05 dB, 25 – 512 MHz 0.13 dB, 512 MHz – 1 GHz
<b>Directivity, Min.</b>	
4021, 4022	30 dB
4024	28 dB, 1.5 – 2.5 and 25 – 32 MHz 30 dB, 2.5 – 25 MHz
4025	28 dB, 100 – 125 kHz 30 dB, 125 – 2500 kHz

\* For rated accuracy, no more than 1% AM; Harmonics –50 dBc or less  
Derate accuracy by 3.0% (1 $\sigma$ ) below 15 °C and above 35 °C

**CAUTION**

Changing the sensor's connectors will invalidate calibration data, and may reduce the maximum power rating of the unit.

**Bird 4027A Series RF Power Sensors**

<b>Frequency Range</b>			
4027A250K	250 – 400 kHz	4027A12M	10 – 15 MHz
4027A400K	400 – 550 kHz	4027A25M	25 – 30 MHz
4027A800K	800 – 950 kHz	4027A35M	35 – 45 MHz
4027A2M	1.5 – 2.5 MHz	4027A60M	45 – 65 MHz
4027A4M	3 – 5 MHz	4027A100M	95 – 105 MHz
4027A10M	10 – 15 MHz	4027A150M	150 – 170 MHz
<b>RF Power Range</b>			
4027A12M	300 mW – 1 kW	4027A100M	3 W – 5 kW
4027A25M	3 W – 9 kW	4027A150M	3 W – 4 kW
4027A35M	3 W – 7.5 kW	All other models	3 W – 10 kW
4027A60M	3 W – 6 kW		
<b>Accuracy, Fwd, Best Case</b> <sup>*</sup> ± 1.0% (1σ)			
<b>Calibration Frequencies, Typical (MHz)</b> <sup>†</sup>			
4027A250K	0.25, 0.40	4027A12M	10.0, 13.56, 15.0
4027A400K	0.40	4027A25M	25.76, 27.12, 28.48
4027A800K	0.90	4027A35M	40.68
4027A2M	1.8, 2.0, 2.17	4027A60M	55.0, 60.0
4027A4M	4.0, 5.0	4027A100M	95.0, 100.0
4027A10M	10.0, 13.56, 15.0	4027A150M	162.0
<b>Calibration Power, Typical</b>			
4027A12M	700 W		
All other models	1.7 kW		
<b>VSWR, Max.</b>	1.05:1		
<b>Insertion Loss, Max.</b>	0.05 dB (with female “N” connectors)		
<b>Directivity, Min.</b>			
4027A12M	30 dB		
All other models	28 dB		

\* For rated accuracy, no more than 1% AM; Harmonics –50 dBc or less  
 Derate accuracy by 1% (1σ) outside cal. power or cal. frequency  
 Derate accuracy by 1% (1σ) below 15 °C and above 35 °C

† Other calibration frequencies available upon request

## Bird 4027F Series RF Power Sensors

<b>Frequency Range</b>	
4027F2M	1.8 – 2.2 MHz
4027F10M	12 – 15 MHz
4027F60M	57 – 63 MHz
<b>RF Power Range</b>	
4027F2M, 4027F10M	0.1 – 10 kW
4027F60M	0.1 – 3 kW
<b>Accuracy, Fwd, Best Case</b>	± 1.0% (2σ)
<b>Calibration Frequencies, Typical*</b>	
4027F2M	1.8, 2.0, 2.17 MHz
4027F10M	12.0, 12.5, 13.56, 14.0, 15.0 MHz
4027F60M	57.0, 58.5, 60.0, 61.5, 63.0 MHz
<b>Calibration Power, Typical</b>	1.7 kW
<b>Harmonic Rejection, Min.</b>	
4027F2M	26 dB @ 3.6 – 3.8 MHz, 30 dB @ > 3.8 MHz
4027F10M	30 dB @ > 25 MHz
4027F60M	30 dB @ > 114 MHz
<b>Low Frequency Rejection, Min.</b>	
4027F10M	30 dB @ < 1 MHz
4027F60M	30 dB @ < 15 MHz
<b>Max Error Induced by 10% AM</b>	
4027F2M, 4027F10M	0.2% @ < 5 kW, 1.0% @ 5 – 10 kW
4027F60M	0.2% @ < 1.5 kW, 1.0% @ 1.5 – 3 kW
<b>VSWR, Max.</b>	1.05:1
<b>Insertion Loss, Max.</b>	0.05 dB (with female “N” connectors)
<b>Directivity, Min.</b>	28 dB

\* Other calibration frequencies available upon request

<b>Uncertainty Budget, 4027F Series *</b>		<b>4027F2M</b>	<b>4027F10M</b>	<b>4027F60M</b>
Frequency Error...	at cal freq	± 0.1%	± 0.1%	± 0.1%
	not at cal freq	± 0.5%	± 1.5%	± 0.5%
Power Linearity...	at cal power	± 0.1%	± 0.1%	± 0.1%
	not at cal power	± 1.0%	± 0.5%	± 1.0%
Temperature Uncert...	within 20 to 30°C	± 0.65%	± 0.6%	± 0.5%
	outside 20 to 30°C	± 3.2%	-3.0, +0.75%	± 2.9%
Calibration Uncertainty		± 0.6%	± 0.6%	± 0.6%
Resolution Uncert...	at cal power	± 0.06%	± 0.06%	± 0.06%
	not at cal power <sup>†</sup>	± 0.34%	± 0.34%	± 0.34%
Other sources of error		± 0.4%	± 0.5%	± 0.6%
Best Case RSS Uncertainty		± 1.0%	± 1.0%	± 1.0%

\* All values  $2\sigma$

† Resolution uncertainty is error due to limited display digits. Actual uncertainty can be calculated as

$$\pm (1 \text{ in least significant digit}) / \text{Reading}$$

For a 3.5-digit display, worst case is at 300W. Least significant digit is one watt, uncertainty is ± 1W out of 300 or 0.34%. For a 4.5-digit display, least significant digit is 0.1W, so the uncertainty is 0.034%

## Bird 4028A and 4028B Series RF Power Sensors

<b>Frequency Range</b>	
4028A250K	250 – 400 kHz
4028A400K	400 – 550 kHz
4028A2M	1.5 – 2.5 MHz
4028A3M	2.5 – 3.5 MHz
4028A4M	3.5 – 4.5 MHz
4028A10M, 4028B10M	10 – 15 MHz
4028A25M	25 – 30 MHz
<b>RF Power Range</b>	
4028A250K, 4028A400K	1 kW – 20 kW
All other models	1 kW – 25 kW
<b>Accuracy, Fwd, Best Case*</b>	$\pm 2.0\%$ ( $2\sigma$ )
<b>Calibration Frequencies, Typical (MHz)<sup>†</sup></b>	
4028A250K	0.25, 0.40
4028A400K	0.40
4028A2M	1.8, 2.0, 2.17
4028A3M	2.5, 3.2, 3.5
4028A4M	3.5, 4.0
4028A10M, 4028B10M	10.0, 13.56, 15.0
4028A25M	25.76, 27.12, 28.48
<b>Calibration Power, Typical</b>	3.5 kW
<b>VSWR, Max.</b>	1.05:1
<b>Insertion Loss, Max.</b>	0.05 dB (with female 7-16 DIN connectors)
<b>Directivity, Min.</b>	28 dB

\* For rated accuracy, no more than 1% AM; Harmonics –50 dBc or less  
Derate accuracy by 2% ( $2\sigma$ ) outside cal. power or cal. frequency  
Derate accuracy by 2% ( $2\sigma$ ) below 15 °C and above 35 °C

† Other calibration frequencies available upon request

**IEEE-488 Interface Module**

<b>Logic Levels</b>	Meets all IEEE Standard 488-1978 specifications
<b>Modes of Operation</b>	Switch and bus selectable
Talk Only	Allows the 4421 to send to the bus keyboard-initiated measurements only
Addressable	Allows the 4422 to be addressed as talker or listener under the command of an IEEE-488 bus controller
<b>Connector</b>	Standard IEEE-488 bus type
<b>Humidity, Max</b>	95% (non-condensing)
<b>Altitude, Max</b>	10,000 feet (3,000 m)
<b>Temperature Range</b>	
Operating	0 to 50° C (32 to 122° F)
Storage	-20 to +50° C (-4 to +122° F)
<b>Dimensions</b>	6.5”L x 4.5” W (165 x 115 mm)
<b>Weight, Nominal</b>	0.5 lbs (0.23 kg)

**RS-232 Interface Module**

<b>Logic Levels</b>	Meets all EIA Standard RS-232-C specifications
<b>Modes of Operation</b>	Switch and bus selectable
Talk Always	Allows the 4421 to send to the bus keyboard-initiated measurements only
Addressable	Allows the 4421 to be commanded by an RS-232 interface controller
<b>Connector</b>	RS-232 Interface Type
<b>Humidity, Max</b>	95% (non-condensing)
<b>Altitude, Max</b>	10,000 feet (3,000 m)
<b>Temperature Range</b>	
Operating	0 to 50° C (32 to 122° F)
Storage	-20 to +50° C (-4 to +122° F)
<b>Dimensions</b>	6.5”L x 4.5” W (165 x 115 mm)
<b>Weight</b>	0.5 lbs (0.23 kg) nominal

## Replacement Parts

Description	Qty	Part Number
Fuse, IEC (5 x 20 mm) Time Lag Type T 115 Vac, 0.25 A 230 Vac, 0.125 A	1	5A2257-10 5A2257-7
Cord, AC Power 115 Vac 230 Vac Harmonized	1	5-1286 5A2416
Cable, Sensor	1	4421-038
IEEE-488 Bus Interface Module	1	4421-489-2
Cable, IEEE-488 2 m 1 m	1	5-1317-2 5-1317-1
RS-232 Bus Interface Module	1	4421-233-1
Cable, RS-232 10 ft. 5 ft.	1	5-1662-2 5-1662-1
Null Modem Kit (RS-232 only)	1	4380-250
Panel Mount Kit	1	4421-250

## Available Connectors



**CAUTION**  
Changing the sensor's connectors will invalidate calibration data,  
and may reduce the maximum power rating of the unit.

Connector	P/N	Connector	P/N	Connector	P/N
BNC-Female	4240-125	LT-Female	4240-018	Mini UHF-Female	4240-346
BNC-Male	4240-132	LT-Male	4240-012	UHF-Female	4240-050
C-Female	4240-100	N-Female	4240-062	UHF-Male	4240-179
C-Male	4240-110	N-Male	4240-063	1-5/8" EIA Fixed	4240-096
HN-Female	4240-268	SC-Female	4240-090	1-5/8" EIA Swivel	4240-208
HN-Male	4240-278	SMA-Female	4240-336	7/8" EIA	4240-002
LC-Female	4240-031	SMA-Male	4240-334	TNC-Female	4240-156
LC-Male	4240-025	7/16 Jack, IEC Type 169-4	4240-344	TNC-Male	4240-160
Open Term. # 10-32 Nut	4240-080	7/16 Plug, IEC Type 169-4	4240-363		



## Limited Warranty

All products manufactured by Seller are warranted to be free from defects in material and workmanship for a period of one (1) year, unless otherwise specified, from date of shipment and to conform to applicable specifications, drawings, blueprints and/or samples. Seller's sole obligation under these warranties shall be to issue credit, repair or replace any item or part thereof which is proved to be other than as warranted; no allowance shall be made for any labor charges of Buyer for replacement of parts, adjustment or repairs, or any other work, unless such charges are authorized in advance by Seller.

If Seller's products are claimed to be defective in material or workmanship or not to conform to specifications, drawings, blueprints and/or samples, Seller shall, upon prompt notice thereof, either examine the products where they are located or issue shipping instructions for return to Seller (transportation-charges prepaid by Buyer). In the event any of our products are proved to be other than as warranted, transportation costs (cheapest way) to and from Seller's plant, will be borne by Seller and reimbursement or credit will be made for amounts so expended by Buyer. Every such claim for breach of these warranties shall be deemed to be waived by Buyer unless made in writing within ten (10) days from the date of discovery of the defect.

The above warranties shall not extend to any products or parts thereof which have been subjected to any misuse or neglect, damaged by accident, rendered defective by reason of improper installation or by the performance of repairs or alterations outside of our plant, and shall not apply to any goods or parts thereof furnished by Buyer or acquired from others at Buyer's request and/or to Buyer's specifications. Routine (regularly required) calibration is not covered under this limited warranty. In addition, Seller's warranties do not extend to the failure of tubes, transistors, fuses and batteries, or to other equipment and parts manufactured by others except to the extent of the original manufacturer's warranty to Seller.

The obligations under the foregoing warranties are limited to the precise terms thereof. These warranties provide exclusive remedies, expressly in lieu of all other remedies including claims for special or consequential damages. SELLER NEITHER MAKES NOR ASSUMES ANY OTHER WARRANTY WHATSOEVER, WHETHER EXPRESS, STATUTORY, OR IMPLIED, INCLUDING WARRANTIES OF MERCHANTABILITY AND FITNESS, AND NO PERSON IS AUTHORIZED TO ASSUME FOR SELLER ANY OBLIGATION OR LIABILITY NOT STRICTLY IN ACCORDANCE WITH THE FOREGOING.

## **Special Lifetime Warranty - Series 4020, Series 4027A, Series 4027F, and Series 4028 Power Sensor Head**

In addition to its standard warranty, the Bird Electronic Corporation warrants its Series 4020, Series 4027A, Series 4027F, and Series 4028 Thruline® Power Sensor Heads for lifetime to original purchaser. This extended warranty is against burnout. For the warranty to apply, the Sensor Head must be used with the correct Bird Electronic Corporation Display Unit, the maximum power rating of the Sensor must not be exceeded, the Sensor RF circuit must be properly terminated and the Sensor not subjected to physical abuse.

Bird Electronic Corporation, at its option, will repair or replace the defective Sensor at its world Headquarters at 30303 Aurora Road, Solon, Ohio 44139.

The customer is responsible to pay transportation charges to return the defective sensor to Bird.

# DECLARATION OF CONFORMITY

Manufacturer: Bird Electronic Corporation  
30303 Aurora Road  
Cleveland, Ohio 44139-2794

Product: Power Meter and Directional Power Sensors

Models: 4421 4021 4022 4024 4025  
4027A2M 4027A4M 4027A10M 4027A12M 4027A25M  
4027A35M 4027A60M 4027A100M 4027A150M 4027A250K  
4027A400K 4027A800K 4027F2M 4027F10M 4027F60M

The undersigned hereby declares, on behalf of Bird Electronic Corporation of Cleveland, Ohio, that the above referenced products, to which this declaration relates, are in conformance with the provisions of the following standards.

- European Standard EN 61326-1:1997 - Electronic Equipment for Measurement, Control and Laboratory Use - EMC Requirements

These standards are in accordance with EMC Directive (89/336/EEC).

- European Standard EN 61010-1:1993 - Safety Requirements for Electrical Equipment for Measurement, Control, and Laboratory Use: Including Amendment 2: 1995

This standard is in accordance with Low Voltage Directive (73/23/EEC), 1973 Including Amendment (93/68/EEC), 1993

The technical documentation supporting compliance with these directives is maintained at Bird Electronic Corporation, 30303 Aurora Road, Cleveland, Ohio 44139.



Bob Gardiner  
Director of Quality  
Bird Electronic Corporation