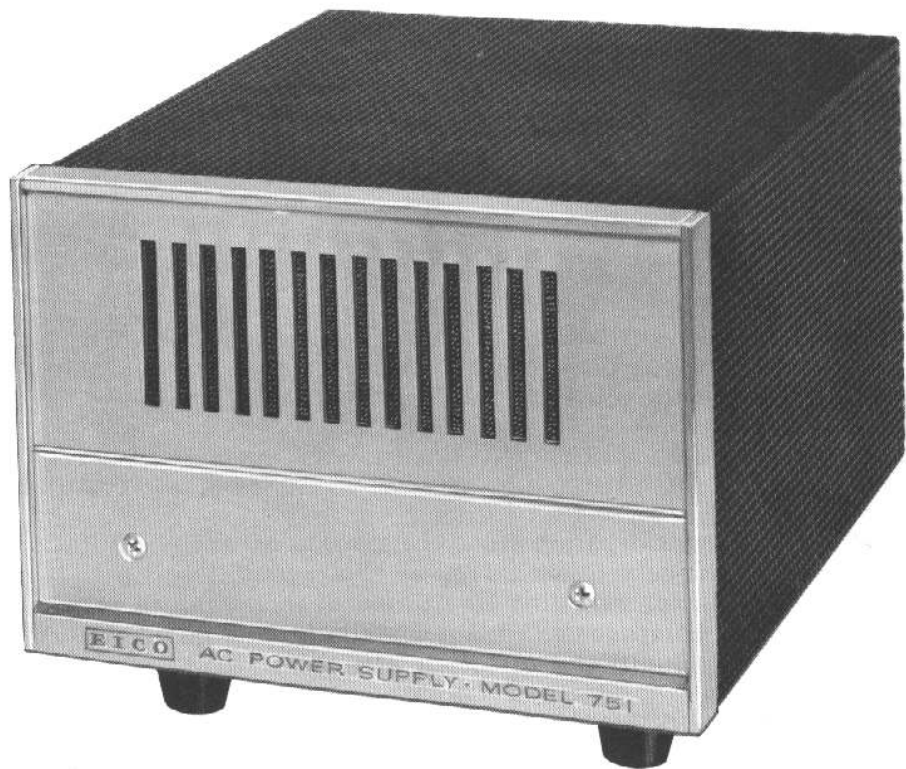


# EICO

## 751/AC Power Supply



OPERATING MANUAL

**EVERYTHING 4 LESS**

**ENJOY YOUR BOOKS**

**PLEASE VISIT OUR STORE FOR EVEN MORE GREAT STUFF!**

**[WWW.EVERYTHING4LESSSTORE.COM](http://WWW.EVERYTHING4LESSSTORE.COM)**

**COPYRIGHT NOTICE**

**ALL MATERIALS INCLUDING CD/DVD AND PDF FILES ARE COPYRIGHTED**

**[WWW.EVERYTHING4LESSSTORE.COM](http://WWW.EVERYTHING4LESSSTORE.COM) VON WALTHOUR PRODUCTIONS AND MAY NOT BE REPRODUCED, COPIED OR RESOLD UNDER ANY CIRCUMSTANCES. YOU MAY HOWEVER MAKE A COPY FOR YOUR OWN PERSONAL BACKUP. MATERIALS ARE FOR PERSONAL USE ONLY.**

**IF YOU PURCHASED THIS FROM ANYWHERE BUT FROM US PLEASE NOTIFY US IMMEDIATELY SO THAT WE MAY CHECK IF YOU PURCHASED FROM AN AUTHORIZED RESELLER SO WE CAN LET YOU KNOW IF YOU NEED TO RETURN FOR FULL REFUND FROM AN UNAUTHORIZED SELLER.**

**THANKS AGAIN AND PLEASE TAKE THE TIME TO VISIT OUR STORE.**

**ATTENTION! EVERYTHING ON SALE NOW!!**



**HOT SALE!**

## GENERAL DESCRIPTION

The EICO Model 751 provides all necessary operating voltages for the EICO Model 753 SSB/AM/CW Tri-Band Transceiver (200 watts SSB PEP and CW, 100 watts AM). It may also be used to operate other EICO equipment for which this supply shall be specified, or compatible equipment of different manufacture with appropriate alterations in the manner of connection.

The Model 751 is to be operated from a nominal 117 VAC, 50/60 cps power source. An octal power plug and cable at the rear is the means of connecting all the specified output voltages to the transceiver. The cable wiring permits the power supply to be turned on and off at the transceiver.

The Model 751 also functions as a speaker console with its built-in 3 x 5 inch oval, 3.2 ohms speaker. A separate audio cable patch cord, with molded RCA type phono plugs, is provided for connecting this speaker to the speaker output of the transceiver.

The Model 751 is designed integrally with the EICO Model 753 and other EICO equipment for which this supply shall be specified. Importantly, the supply regulation is tailored to the requirements of EICO transceivers. Furthermore, a great deal more filtering is incorporated that is not found in other supplies. This additional filtering is absolutely required for proper operation of the EICO transceivers. For these reasons there is no acceptable substitute, to our knowledge, for the EICO 751 power supply in operation of EICO transceivers, and EICO can accept no responsibility for sub-standard performance quality resulting from the use of other supplies.

## SPECIFICATIONS

### OUTPUT VOLTAGES

HV (High Voltage): 750 volts DC at 300ma (50% duty cycle), 200ma continuous

LV (Low Voltage): 280 volts DC at 170ma

BIAS: -100 volts DC at 5ma

FILAMENT: 12.6 volts AC at 4 amps

INPUT VOLTAGE: 117 volts AC, 50/60 cps

SIZE (HWD): 5-1/2" x 8" x 11-1/4"

WEIGHT: 25 lbs.

## UNPACKING

This equipment has been thoroughly tested and inspected before packing. If you find visible damage upon unpacking, notify the dealer at once. If the unit was shipped, you must file a claim with the carrier, since only you can recover for shipping damages. Your dealer and EICO will cooperate.

## VENTILATION

In all installations, consideration should be given to adequate ventilation in placing the unit. Free air circulation through the cabinet should not be obstructed at any time. If heat removal by convective air movement is prevented or curtailed by cabinet obstruction, an excessive temperature rise will occur which can damage components. In any installation, avoid placing the unit in a warm location (near a radiator or heating unit) or in a hot air stream.

## TRANSMITTER BIAS ADJUSTMENT

After connection of the Model 751 power supply both to a proper power source and to the transceiver being operated, the transmitter bias must be set properly to obtain optimum transceiver performance. The procedure for transmitter bias adjustment is given in the transceiver operating manual. The transmitter bias should be checked regularly and whenever driver or final amplifier tubes in the transmitter are replaced.

## CABINET REMOVAL

To remove the power supply from the cabinet, first disconnect it from the power source and from the transceiver. Then remove two #6 sheet metal screws at the bottom and four #6 sheet metal

screws at the rear. The unit can be removed from the front of the cabinet.

**WARNING**

LETHAL HIGH VOLTAGES ARE PRESENT WITHIN THIS EQUIPMENT. BE VERY CAREFUL TO AVOID CONTACT WITH THESE HIGH VOLTAGES IF FOR ANY REASON THE EQUIPMENT IS OPERATED OUTSIDE OF ITS CABINET.

**PARTS LIST**

<u>PRICE EACH</u>	<u>SYM. #</u>	<u>STOCK#</u>	<u>DESCRIPTION</u>	<u>PRICE EACH</u>	<u>STOCK#</u>	<u>DESCRIPTION</u>
<b>CAPACITORS</b>						
1.90	C1, 2, 3, 4	23029	elec., 50uF/450V	.01	41090	screw, 4-40 x 5/16" (4)
3.35	C5	24012	elec., 40-20-20-20uF/ 450V	.01	41059	screw, 6-32 x 1-1/8" (2)
1.06	C6	23015	elec., 50uF/150V	.01	42002	washer, lock, #6 (24)
<b>DIODES</b>						
3.76	CR1, 2, 3, 4	93024	rectifier, 1200 PIV, 750ma	.01	42003	washer, fibre, #6 (4)
1.00	CR5, 6	93005	rectifier, 380 PIV 200ma	.01	42007	washer, lock, #4 (4)
<b>JACKS &amp; SOCKETS</b>						
.44	J1	97013	socket, 8-pin	.01	42008	washer, lock, #8 (6)
.10	J2	50013	jack, RCA phono type	.03	42019	washer, rubber 1/2" (1)
<b>CHOKES</b>						
8.80	L1	34008	choke, 12-2hy, swinging	.01	42046	washer, #8 (4)
4.84	L2	34009	choke, 8hy	.02	43000	ground lug, #6 (2)
.75	R1, 2	14352	15KΩ, 20W, 10%	.08	46008	feet, rubber (4)
.34	R3, 4	14316	240Ω, 10W, 10%	.05	46019	feet, rubber (2)
.69	R5	14303	25KΩ, 10W, 10%	.02	50015	insulator for phono jack (1) (50013)
.18	R6	10853	10KΩ, 1W, 10%	5.22	55014	speaker, 3.2Ω, 3"x5" (1) oval
.08	R7	10410	100KΩ, 1/2W, 10%	.73	57006	line cord (1)
<b>TRANSFORMER</b>						
27.72	T1	30081	transformer, power	.08	58408	cable, audio 18"
<b>TERMINAL STRIPS</b>						
.10	TB1	54007	3 post, 2 right, w/gnd.	.05	41152	screw, oval, P. H., (2) 8-32 x 3/8
.10	TB2, 5, 6, 7	54003	2 post	.31	55200	grill, fibre, 3" x 6" (1)
.10	TB3	54005	2 post right, w/ground	.05	58045	wire, hookup, red, 25" 1/32 wall
.10	TB4, 10	54004	2 post, w/ground	.05	58300	spaghetti 6"
.10	TB8	54023	2 post left, w/ground	.68	58462	cable, 8 conductor 4 ft.
.10	TB9	54001	1 post right	12.50	80179	panel (1)
<b>MISCELLANEOUS COMPONENTS &amp; HARDWARE</b>						
.01	40000	nut, #6-32 hex (24)	.25	81215	bracket (1)	
.01	40007	nut, #4-40 x 1/4 hex (2)	6.00	81452	chassis (1)	
.07	40016	nut, 1/2-24 (1)	.12	82102	strain relief (line cord) (1)	
.06	40051	nut, #8-32 hex (6)	.26	82107	strain relief (cable) (1)	
.01	41086	screw, 6-32 x 5/16" (20)	1.98	86545	cable, audio, black, 3 ft. (1) two RCA phono plugs molded	
.01	41002	screw, #6 P.K. (6)	11.00	88136	cabinet (1)	
.01	41007	screw, 6-32 x 3/4" (2)	.38	89655	hood for 8-pin socket (1) 97013	
			.20	91001	fuse, 5 Amp (1)	
			1.00	97805	fuseholder (1)	
			.10	89627	glue capsule (1)	
			.50	66167	Operating Manual (1)	
			1.50	66402	Assembly Manual (1)	

To order replacement parts, specify description and part number. Remittance must be made with order, and include \$1.00 for mailing and handling with each order (\$1.50 for each transformer if order includes 1 or more output or power transformers). Prices subject to change without notice.

**EVERYTHING 4 LESS**



**ENJOY YOUR BOOKS**



**PLEASE VISIT OUR STORE FOR EVEN MORE GREAT STUFF!**

**[WWW.EVERYTHING4LESSSTORE.COM](http://WWW.EVERYTHING4LESSSTORE.COM)**

**COPYRIGHT NOTICE**

**ALL MATERIALS INCLUDING CD/DVD AND PDF FILES ARE COPYRIGHTED**

**[WWW.EVERYTHING4LESSSTORE.COM](http://WWW.EVERYTHING4LESSSTORE.COM) VON WALTHOUR PRODUCTIONS AND MAY NOT BE REPRODUCED, COPIED OR RESOLD UNDER ANY CIRCUMSTANCES. YOU MAY HOWEVER MAKE A COPY FOR YOUR OWN PERSONAL BACKUP. MATERIALS ARE FOR PERSONAL USE ONLY.**

**IF YOU PURCHASED THIS FROM ANYWHERE BUT FROM US PLEASE NOTIFY US IMMEDIATELY SO THAT WE MAY CHECK IF YOU PURCHASED FROM AN AUTHORIZED RESELLER SO WE CAN LET YOU KNOW IF YOU NEED TO RETURN FOR FULL REFUND FROM AN UNAUTHORIZED SELLER.**

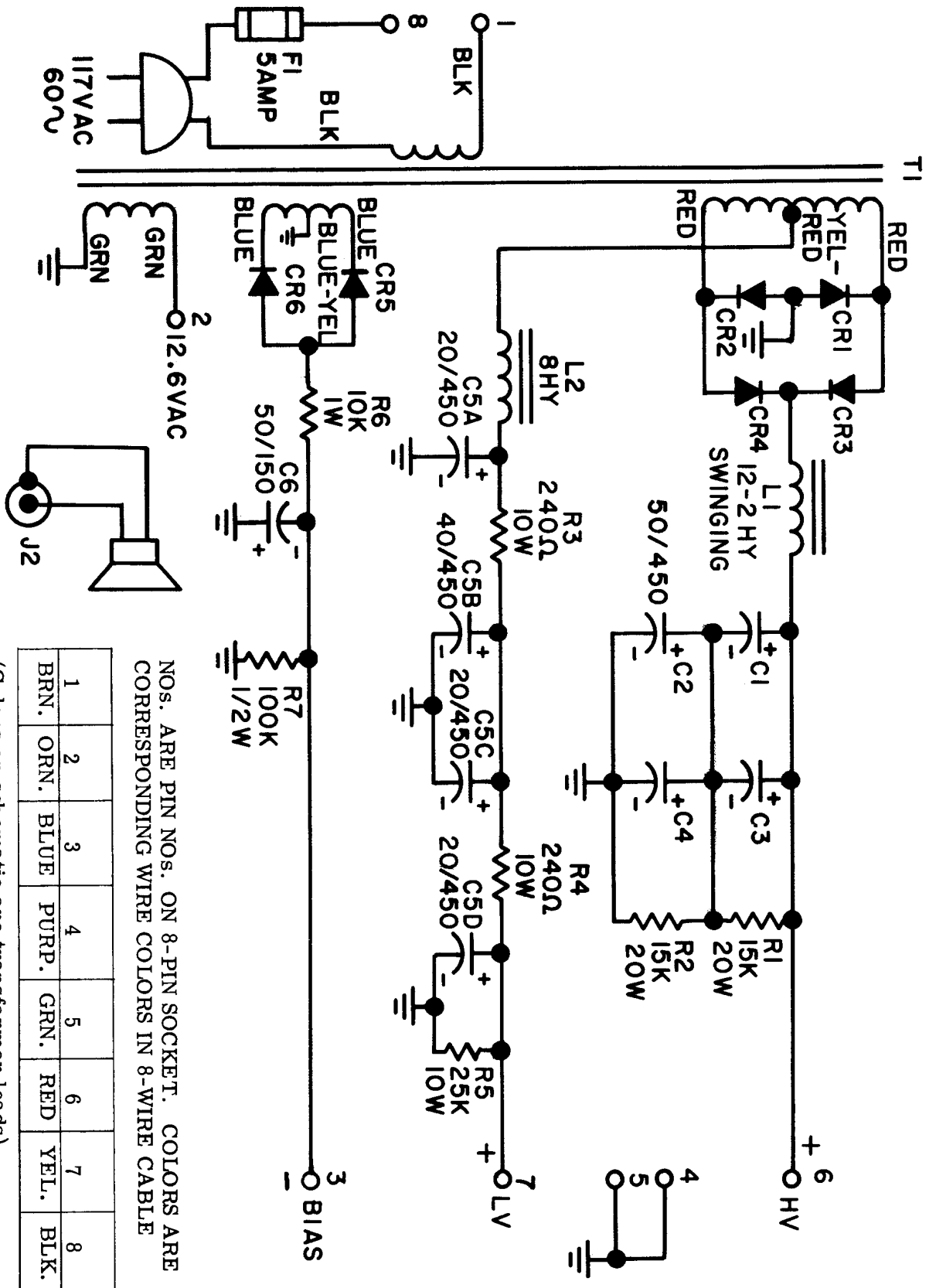
**THANKS AGAIN AND PLEASE TAKE THE TIME TO VISIT OUR STORE.**

**ATTENTION! EVERYTHING ON SALE NOW!!**



**HOT SALE!**

**THIS PAGE COPYRIGHT VON WALTHOUR PRODUCTIONS  
[WWW.EVERYTHING4LESSSTORE.COM](http://WWW.EVERYTHING4LESSSTORE.COM)**



NOS. ARE PIN NOS. ON 8-PIN SOCKET. COLORS ARE CORRESPONDING WIRE COLORS IN 8-WIRE CABLE

1	2	3	4	5	6	7	8
BRN.	ORN.	BLUE	PURP.	GRN.	RED	YEL.	BLK.

(Colors on schematic are transformer leads)

### 751 SCHEMATIC DIAGRAM