

CHANGE/ERRATA INFORMATION

ISSUE NO: 1 11/94

This change/errata contains information necessary to ensure the accuracy of the following manual. Enter the corrections in the manual if either one of the following conditions exist:

1. The revision letter stamped on the indicated PCA is equal to or higher than that given with each change.
2. No revision letter is indicated at the beginning of the change or errata.

MANUAL

Title: 2280 Series Service
Part Number: 753111
Print Date: February 1985
Rev. & Date: 2, 1/90

C/E PAGE EFFECTIVITY

Page No.	Print Date
1 - 2	11/94

ERRATA #1

On page 6-5, Table 6-1, delete the entire entry for MP45.

On page 6-16, Figure 6-1, replace MP45 with A1.

ERRATA #2

On page 6-30, Table 6-8, change the following:

CHANGE: J3-5,11/CONN,PWB EDGE,REC,0.100 CTR, 44 POS/520148/00779/1-5308843-5/4
 TO: J3-5,10-12/CONN,PWB EDGE,REC,0.100 CTR, 44 POS/520148/00779/1-5308843-5/7/1
 CHANGE: J6-8/CONN,PWB EDGE,REC,0.100 CTR, 72 POS/520155/00779/1-530843-9/3
 TO: J1,6-8/CONN,PWB EDGE,REC,0.100 CTR, 72 POS/520155/00779/1-530843-9/9/2

NOTE 1 = There are 2 J10's.
 NOTE 2 = There are 6 J1's.

ERRATA #3

On page 211-1, under **DESCRIPTION**,

CHANGE: ...circuit board assembly that plugs into connector J4...
 TO: ...circuit board assembly that plugs into connector J8..

CHANGE #1 - 39584

Rev. -F, A1 Display PCA (2280A-4006T)

On page 6-18, Table 6-2,

CHANGE: XDS1/SOCKET, 1 ROW,PWB,0.100CTR,20 POS/485045/89536/485045/4
 TO: XDS1/SOCKET, 1 ROW,PWB,0.100CTR,20 POS/875930/89536/875930/4

CHANGE #2 - 43861

Rev. -C, Option -341 RS-232-C Interface Assy (2280A-4041T)

On page 341-2, Figure 341-1, delete the RAM DATA BUFFER, add it inside the MICRO PROCESSOR and change MICRO PROCESSOR 8039 to 8040 as shown in Figure A.

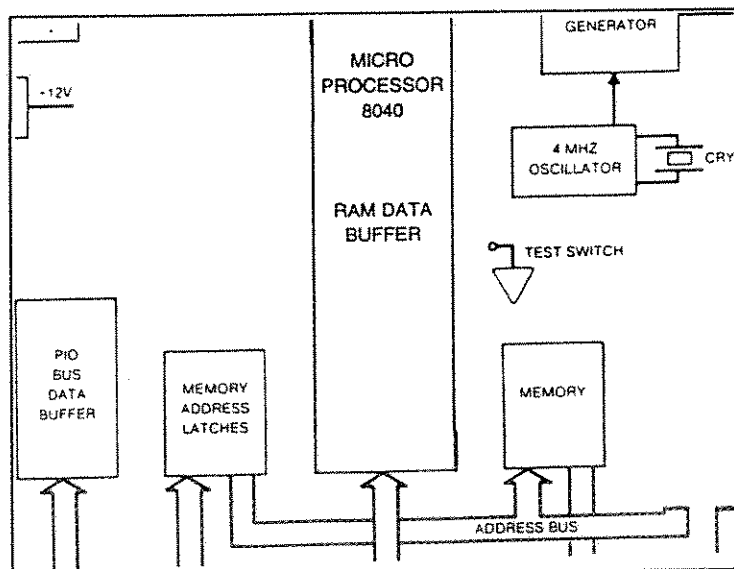


Figure A.

On page 341-3, under CONTROLLER,

CHANGE: ...It consists primarily of microprocessor, ROM memory for storage of the microprocessor's program, RAM memory for buffering of transmit and receive characters, a crystal to derive the microprocessor's clock, and a latch to store part of the address for the ROM and RAM.

TO: ...It consists primarily of microprocessor, ROM memory for storage of the microprocessor's program, **a crystal to derive the microprocessor's clock, and a latch to store part of the address for the ROM.**

On page 341-4, under CONTROLLER, replace the paragraph with:

Microprocessor (U5) is driven by an internally generated clock derived from a 6MHz crystal (Y2). The microprocessor executes a program stored in a ROM (U17). The lower bits for the ROM address are latched in an eight bit latch (U28) that is gated by the address latch enable (ALE) signal from the microprocessor. The upper four ROM address bits are provided directly on microprocessor port 2, bits 0-3. Gating provided for the PIO Bus and to communicate with the UART. RS-232 transmit and receive characters are stored in RAM located inside the microprocessor.

On page 341-12, Table 341-8,

CHANGE: U5/IC,NMOS,8 BIT MICROCOMPUTER/504563/89536/504563/1
TO: U5/IC,NMOS,8 BIT MICROCOMPUTER/887323/89536/887323/1

Delete the entire entries for U18, U19 and XU18, 19.

CHANGE #3 - 45396

Rev. -T, A3 Printer Interface PCA (2280A-4016)

On page 6-22, Table 6-4, change the following:

FROM: Q2/TRANSISTOR, SI,BV=45V, 30W,TO-220/325761/09214/D44C5/1
TO: Q2/FET, POWER, N-CHANNEL/586107/89536/586107/1

FROM: R3/RES,CC,560,+5%,1W/266361/89536/266361/1
TO: R3/RES,CC,10k,+5%, $\frac{1}{4}$ W/348839/89536/348839/1

On page 7-4, change R3 value from 560 to 10k.

CHANGE #4 - 46445

Rev. -G, A4 Controller PCA(2280A-4064)

On page 6-24, Table 6-5,

CHANGE: Z3/RES,NET,SIP,10 PIN, 9 RES, 4.7k, +-2%/484063/80031/95081002CL/1
TO: Z3/RES,NET,SIP,10 PIN, 9 RES, 2.0k+-2%/446880/89536/446880/1

On page 7-5, Figure 7-4, change Z3 value from 4.7k to 2.0K.

CHANGE #5 - 47038

Rev. -F, Transducer Excitation PCA(2280A-4064)

On page 164-13, Table 164-4,

ADD: C26, 27/CAP,AL,47UF,+75-20%, 25V/655191/89536/655191/2

On page 164-15, Figure 164-5, add C26 and C27 as shown in Figure B.

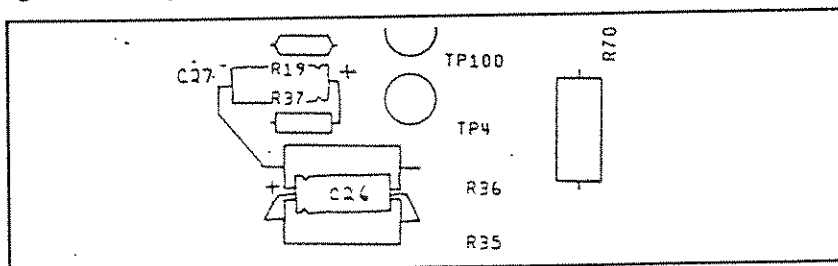


Figure B.

CHANGE #6 - 47161

Rev. -F, High Performance A/D Converter PCA (2280A-4061T)

On page 161-30, Table 161-9,

CHANGE: U26/IC,2K X 8 EPROM (PROGRAMMED)/655555/89536/655555/1/1
 TO: U26/IC,4K X 8 EPROM (PROGRAMMED)/655555/89536/655555/1/1

On page 161-F2, Figure 161-7, change the location of jumper W2 to 2732 as shown in Figure C.

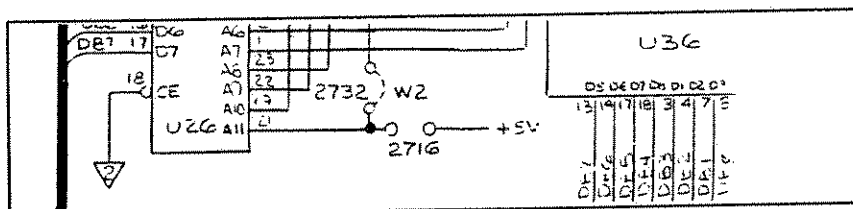


Figure C.