

**FLUKE**

**MODEL 8502A  
DIGITAL MULTIMETER**

**OPERATING AND SERVICE  
MANUAL**

## Table of Contents

SECTION	TITLE	PAGE
<b>1</b>	<b>INTRODUCTION AND SPECIFICATIONS . . . . .</b>	<b>1-1</b>
1-1.	INTRODUCTION . . . . .	1-1
1-3.	DESCRIPTION . . . . .	1-1
1-5.	Modular Construction . . . . .	1-1
1-7.	Microprocessor Control . . . . .	1-1
1-9.	Recirculating Remainder A/D Conversion . . . . .	1-1
1-11.	Options and Accessories . . . . .	1-2
1-13.	SPECIFICATIONS . . . . .	1-2
<b>2</b>	<b>OPERATING INSTRUCTIONS . . . . .</b>	<b>2-1</b>
2-1.	INTRODUCTION . . . . .	2-1
2-3.	SHIPPING INFORMATION . . . . .	2-1
2-6.	INSTALLATION . . . . .	2-1
2-9.	OPERATING FEATURES . . . . .	2-1
2-11.	OPERATING NOTES . . . . .	2-1
2-12.	Input Power . . . . .	2-1
2-15.	Display . . . . .	2-4
2-25.	Input Terminals . . . . .	2-5
2-32.	Front Panel Controls . . . . .	2-6
2-34.	Function . . . . .	2-6
2-36.	Range . . . . .	2-6
2-38.	Modifiers . . . . .	2-6
2-51.	Memory . . . . .	2-7
2-74.	Systems Use of the 8502A . . . . .	2-8
2-76.	OPERATING DIRECTIONS . . . . .	2-8
2-77.	Initial Settings . . . . .	2-8
2-80.	Front Panel Control Usage . . . . .	2-9
2-82.	Measurement Instructions . . . . .	2-18
2-99.	APPLICATIONS . . . . .	2-19
<b>3</b>	<b>THEORY OF OPERATION . . . . .</b>	<b>3-1</b>
3-1.	INTRODUCTION . . . . .	3-1
3-3.	BLOCK DIAGRAM DESCRIPTION . . . . .	3-1

TABLE OF CONTENTS, *continued*

SECTION	TITLE	PAGE
3-4.	Bus Structure . . . . .	3-1
3-10.	Controller . . . . .	3-2
3-20.	Front Panel . . . . .	3-6
3-22.	DC Signal Conditioner . . . . .	3-6
3-24.	Active Filter . . . . .	3-6
3-26.	Fast R <sup>2</sup> A/D Converter . . . . .	3-7
3-31.	<b>CIRCUIT ANALYSIS</b> . . . . .	<b>3-8</b>
3-32.	Introduction . . . . .	3-8
3-34.	Controller . . . . .	3-8
3-54.	Front Panel . . . . .	3-12
3-57.	DC Signal Conditioner . . . . .	3-12
3-61.	Filter/External References . . . . .	3-12
3-65.	Fast R <sup>2</sup> A/D Converter . . . . .	3-16
<b>4</b>	<b>MAINTENANCE</b> . . . . .	<b>4-1</b>
4-1.	INTRODUCTION . . . . .	4-1
4-3.	SERVICE INFORMATION . . . . .	4-1
4-6.	GENERAL MAINTENANCE . . . . .	4-1
4-7.	Line Voltage Selection . . . . .	4-1
4-9.	Fuse Replacement . . . . .	4-1
4-11.	Module Installation and Removal . . . . .	4-2
4-13.	Module Disassembly . . . . .	4-3
4-16.	Front Panel PCB Removal and LED Replacement . . . . .	4-3
4-18.	Power Supply Removal . . . . .	4-3
4-20.	Power Supply Interconnect PCB Removal . . . . .	4-3
4-22.	Motherboard PCB Removal . . . . .	4-4
4-24.	Cleaning Instructions . . . . .	4-4
4-26.	<b>PERFORMANCE TEST</b> . . . . .	<b>4-4</b>
4-27.	Introduction . . . . .	4-4
4-31.	DC Performance Test . . . . .	4-4
4-40.	<b>CALIBRATION ADJUSTMENTS</b> . . . . .	<b>4-6</b>
4-41.	Introduction . . . . .	4-6
4-43.	Initial Procedure . . . . .	4-7
4-45.	Power Supply . . . . .	4-7
4-47.	DC Calibration Procedure . . . . .	4-7
4-55.	A/D Zero Adjustment . . . . .	4-8
4-57.	A/D Calibrator Settings . . . . .	4-8
4-59.	A/D Ladder Adjustments . . . . .	4-8
4-61.	Linearity Verification . . . . .	4-9
4-69.	<b>TROUBLESHOOTING</b> . . . . .	<b>4-10</b>
4-73.	Troubleshooting Notes . . . . .	4-11
<b>5</b>	<b>LIST OF REPLACEABLE PARTS</b> . . . . .	<b>5-1</b>
5-1.	INTRODUCTION . . . . .	5-2
5-4.	HOW TO OBTAIN PARTS . . . . .	5-2
5-7.	USE OF CODE EFFECTIVITY LIST . . . . .	5-2
<b>6</b>	<b>OPTION AND ACCESSORY INFORMATION</b> . . . . .	<b>6-1</b>
<b>7</b>	<b>GENERAL INFORMATION</b> . . . . .	<b>7-1</b>
<b>7A</b>	<b>MANUAL CHANGE INFORMATION</b> . . . . .	<b>7A-1</b>
<b>8</b>	<b>SCHEMATIC DIAGRAMS</b> . . . . .	<b>8-1</b>

## List of Illustrations

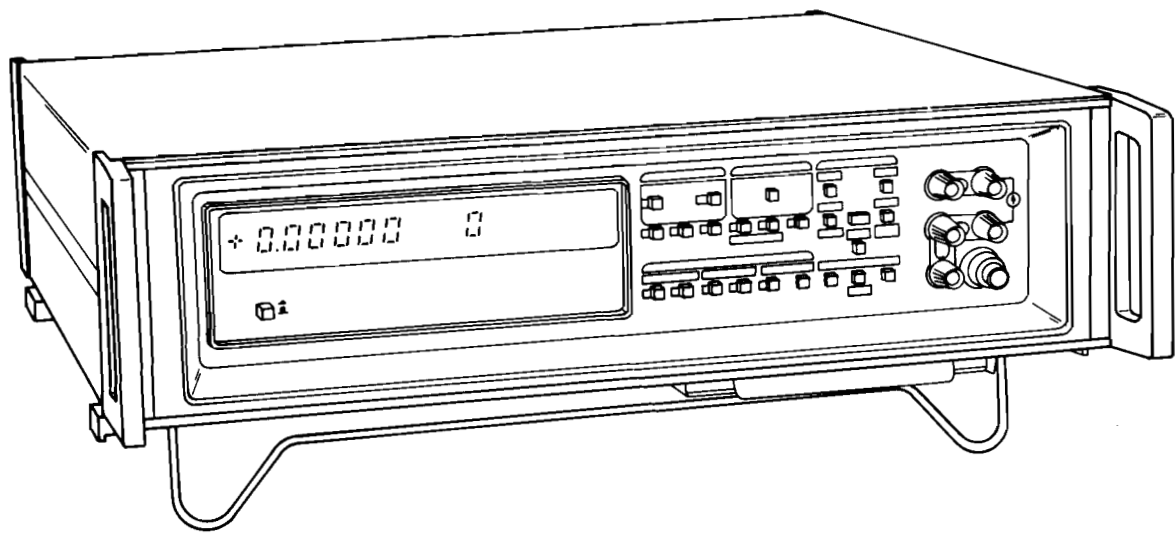
FIGURE	TITLE	PAGE
Frontispiece . . . . .		vi
2-1.	8502A Controls and Indicators . . . . .	2-2
2-2.	Front Panel Terminal Interconnections . . . . .	2-5
2-3.	Guard Connections . . . . .	2-5
2-4.	Function and Range . . . . .	2-9
2-5.	Modifiers . . . . .	2-10
2-6.	Memory . . . . .	2-12
2-7.	Numerics . . . . .	2-16
3-1.	8502A Block Diagram . . . . .	3-1
3-2.	8502A Analog Signal Flow . . . . .	3-2
3-3.	Background Software Process . . . . .	3-3
3-4.	Foreground Software Process . . . . .	3-4
3-5.	Controller Block Diagram . . . . .	3-5
3-6.	DC Signal Conditioner Block Diagram . . . . .	3-6
3-7.	Active Filter Block Diagram . . . . .	3-6
3-8.	R <sup>2</sup> A/D Converter Block Diagram . . . . .	3-7
3-9.	Timing Circuits . . . . .	3-9
3-10.	Reset Logic . . . . .	3-9
3-11.	Status Latch . . . . .	3-10

LIST OF ILLUSTRATIONS, *continued*

FIGURE	TITLE	PAGE
3-12.	Wait Logic . . . . .	3-10
3-13.	Internal Interrupts and INT Control . . . . .	3-11
3-14.	ACK Logic . . . . .	3-11
3-15.	Front Panel . . . . .	3-13
3-16.	DC Signal Conditioner . . . . .	3-14
3-17.	Filter/External Reference . . . . .	3-15
3-18.	Fast R <sup>2</sup> A/D Converter (Analog) . . . . .	3-17
4-1.	Connections For Low Range DC Voltage Tests . . . . .	4-4
4-2.	Connections For High Range DC Voltage Tests . . . . .	4-5
4-3.	DC External Reference Test . . . . .	4-6
4-4.	Power Supply Adjustments . . . . .	4-7
4-5.	Power Supply Troubleshooting . . . . .	4-17
4-6.	Controller Troubleshooting . . . . .	4-18
4-7.	Front Panel Troubleshooting . . . . .	4-19
4-8.	DC Signal Conditioner Troubleshooting . . . . .	4-20
4-9.	Active Filter Troubleshooting . . . . .	4-21
4-10.	R <sup>2</sup> A/D Converter Troubleshooting . . . . .	4-22

## List of Tables

TABLE	TITLE	PAGE
Frontispiece	Model 8502A Digital Multimeter . . . . .	<i>vi</i>
1-1.	8502A Options . . . . .	1-2
1-2.	8502A Accessories . . . . .	1-2
1-3.	Specifications . . . . .	1-3
2-1.	8502A Controls and Indicators . . . . .	2-2
2-2.	Error Codes . . . . .	2-4
2-3.	Applications . . . . .	2-19
3-1.	Mnemonic Definitions . . . . .	3-8
4-1.	Test Equipment . . . . .	4-2
4-2.	Low Range DC Voltage Tests . . . . .	4-5
4-3.	Autoranging . . . . .	4-6
4-4.	Power Supply Verifications . . . . .	4-7
4-5.	Linearity Checks . . . . .	4-9
4-6.	Faulty Module Isolation . . . . .	4-12



Model 8502A Digital Multimeter

## Section 1

# Introduction & Specifications

### 1-1. INTRODUCTION

1-2. This manual comprises eight modular sections. You will find herein up-to-date information for installing, operating and maintaining the Fluke Model 8502A Digital Multimeter. Generally, complete descriptions and instructions are provided for the 8502A mainframe, modules necessary for DC Volts and DC Ratio measurement, and for any optional modules (AC Converter, Ohms Converter, etc.) that you may have ordered with your 8502A. Specifically, each section contains:

1. Section 1 – General description, specifications.
2. Section 2 – Operating instruction, capabilities.
3. Section 3 – Theory of operation, including simplified schematic and functional block diagrams.
4. Section 4 – Maintenance, adjustments and troubleshooting.
5. Section 5 – List of replaceable parts, with parts locators.
6. Section 6 – Option and accessory information, including complete information on any option ordered with the 8502A. As the need arises to broaden your 8502A's capabilities, the most recent information will be included with any options you order.
7. Section 7 – General information (list of abbreviations, federal supply codes, Service Centers, and Sales Representatives).
8. Section 8 – Schematic diagrams.

### 1-3. DESCRIPTION

1-4. The Model 8502A Digital Multimeter is a 6 1/2 digit instrument employing microprocessor control and a bus structure. Memory programming either from the front panel or through a remote interface permits a number of operations to be performed on the measured input before it is displayed. The standard configuration allows for measurement of dc volts in 5 ranges. Four ranges are available for ac volts when either optional ac converter is installed. Resistance can be measured in 8 ranges. Current can be measured in 5 ranges.

### 1-5. Modular Construction

1-6. Considerable versatility is realized through the 8502A's unique construction. All active components are contained in modules which plug into a mainframe motherboard. This module-motherboard mating, combined with bus architecture and microprocessor control, yields both ease of option selection and reduced downtime.

### 1-7. Microprocessor Control

1-8. All modules function under direct control of a microprocessor based controller. Each module is addressed by the controller as a memory location. External reference values and offsets can be applied separately, stored in memory, and automatically used as factors in all subsequent readings. Digital filtering utilizes averaged samples for each reading.

### 1-9. Recirculating Remainder A/D Conversion

1-10. The 8502A adapts Fluke's patented recirculating remainder ( $R^2$ ) A/D conversion technique to microprocessor control. This combination provides fast, accurate, linear measurements and long-term stability.



## 1-11. Options and Accessories

1-12. Remote interfaces, AC converters, a current converter and an ohms converter are among the numerous options and accessories available for the 8502A. Refer to Tables 1-1 and 1-2 for complete listings. AC conversion can be accomplished with either an ac averaging module (-01) or a true RMS module (-09A). Any one of three remote interface modules (-05, -06, -07) may be installed at one time; the isolator module (-08A) must then be installed to maintain guarding of analog and high quality busses during remote operations. Maximum interfacing with digital systems is thus realized. Calibration downtime is reduced through the use of a calibration memory module (-04); correction factors may be entered from the front panel, providing automatic correction for further measurements.

Table 1-1. 8502A Options

Option No.	Name	Notes
01	AC/DC Converter (Averaging)	1, 3
02	Ohms Converter	
03	Current Shunts	3
04	Calibration Memory	
05	IEEE Standard 488-1975 Interface	2
06	Bit Serial Asynchronous Interface	2
07	Parallel Interface	2
08A	Isolator	4
09A	AC/DC Converter (True RMS)	1, 3
16	Front-Rear Switchable Input	5
17	Rear Input	
1)	Options 01 and 09A cannot be installed simultaneously.	
2)	Only one of Options 05, 06, and 07 can be installed at any time.	
3)	For the AC portion of Option 03 to operate, either Option 01 or 09A must be installed.	
4)	Option 08A must be installed for remote operations.	
5)	Option 16 must be factory installed.	

Analog inputs from a remote position are permitted when Rear Input (Option-17) is installed. Selectable front or rear analog inputs are available with Option -16.

## 1-13. SPECIFICATIONS

1-14. Mainframe specifications with DC Volts and DC Ratio measurement capability are presented in Table 1-3. Optional function specifications are supplied with the respective option modules and included in Section 6. The table of specifications presented here is divided into three parts:

1. General Specifications.
2. Accuracy.
3. Instrument Operating Characteristics.

Table 1-2. 8502A Accessories

Model or Part No.	Name
M04-205-600	Rack Ear Mounting Assembly
M00-260-610	18-inch Rack Slides
M00-280-610	24-inch Rack Slides
80F-5	High Voltage Probe
80F-15	High Voltage Probe
81RF	High Frequency Probe
82RF	High Frequency Probe
KDM1	Keyboard Display Module w/Cable
Y8001	IEEE Std. Cable, 1 Meter Length
Y8002	IEEE Std. Cable, 2 Meter Length
Y8003	IEEE Std. Cable, 4 Meter Length
MIS-7011K*	Extender Assembly
MIS-7190K*	Static Controller
MIS-7191K*	Test Module
MIS-7013K*	Bus Interconnect and Monitor
*For use during service or repair	

Table 1-3. Specifications

GENERAL SPECIFICATIONS						
<b>DIMENSIONS</b>				<b>TEMPERATURE RANGE</b>		
	<b>H</b>	<b>L</b>	<b>W</b>	<b>Operating</b>	0°C to 50°C	
<b>cm</b>	10.8	x 42.5	x 43.2	<b>Non Operating</b>	-40°C to 70°C*	
<b>Inches</b>	4.25	x 16.75	x 17	<i>*0°C to 50°C operating and non-operating with calibration memory option (-04) installed.</i>		
<b>WEIGHT</b>				<b>HUMIDITY RANGE</b>		
	<b>Basic</b>	<b>Fully Loaded</b>		<b>(Operating to Full Accuracy)</b>		
<b>kg</b>	9.1	10.92		0°C to 18°C	80% RH	
<b>Lbs</b>	20	24		18°C to 40°C	75% RH	
<b>OPERATING POWER</b>				40°C to 50°C		
<b>Basic Instrument</b>	12 watts	115V ac or 230V ac ±10%		<b>OVERLOAD</b>		
<b>Fully Loaded</b>	24 watts	50-60 Hz		<b>LO to Guard</b>	127V max	
<b>WARM-UP</b>				<b>Guard to Chassis</b>	1000V max	
2 hours to rated accuracy				<b>HI Sense to HI Source</b>	127V max	
<b>SHOCK AND VIBRATION</b>				<b>LO Sense to LO Source</b>	127V max	
Meets requirements of MIL-T-28800 for Class 5 style E equipment.				<b>HI Sense to LO Sense</b>	1000V max	
				<b>HI Source to LO Source</b>	280V max	
ACCURACY						
<i>Note</i>						
<i>The stated accuracies are valid under the following environmental conditions.</i>						
<i>Temperature: 18°C to 28°C (Except 24 hour: 22°C to 24°C)</i>						
<i>Humidity: ≤75%</i>						
<i>Line Regulation: 90V to 110V, 103.5V to 126.5V, or 207V to 253V @ 45 to 66 Hz</i>						
DC Volts	Normal Resolution (5 1/2 digits)					
	Range	Full Scale	Resolution	Accuracy ± (% of Input + Number of Digits)		
				24 Hours	90 Days	1 Year
100 mV	312 mV	1 µV	0.002 + 4	0.003 + 5	0.005 + 8	
1 V	2.5 V	10 µV	0.001 + 1	0.002 + 1	0.004 + 1	
10 V	20 V	100 µV	0.001 or 1*	0.001 + 1	0.002 + 1	
100 V	160 V	1 mV	0.001 + 1	0.002 + 1	0.004 + 1	
1000 V	1200 V	10 mV	0.001 + 1	0.002 + 1	0.004 + 1	
<i>*Whichever is greater.</i>						

Table 1-3. Specifications (cont)

ACCURACY (Continued)												
DC Volts (Continued)	High Resolution ( HI RES or CAL – 6 1/2 digits)											
	Range	Full Scale	Resolution	Accuracy ± (% of Input + Number of Digits)								
				24 Hours	90 Days	1 Year						
	1 V	2.5 V	1 µV	0.001 + 6	0.002 + 8	0.004 + 9						
	10 V	20 V	10 µV	0.0006 or 6*	0.001 + 8	0.002 + 9						
	100 V	160 V	100 µV	0.001 + 6	0.002 + 8	0.004 + 9						
	1000 V	1200 V	1 mV	0.001 + 6	0.002 + 8	0.004 + 9						
	*Whichever is greater.											
DC Ratio	<table border="1"> <thead> <tr> <th>Ext. Ref. Voltage</th> <th>Accuracy</th> </tr> </thead> <tbody> <tr> <td>+20V to +40V</td> <td>±(A + B + 10 ppm)</td> </tr> <tr> <td>+V<sub>min</sub> * to +20V</td> <td>±(A + B + <math>\frac{200 \text{ ppm}}{ V_{xref} }</math>)</td> </tr> </tbody> </table>		Ext. Ref. Voltage	Accuracy	+20V to +40V	±(A + B + 10 ppm)	+V <sub>min</sub> * to +20V	±(A + B + $\frac{200 \text{ ppm}}{ V_{xref} }$ )	<p>A = 10V dc Range Accuracy                      B = Input Signal Function and Range Accuracy                      V<sub>min</sub> = Minimum Allowable External Reference Voltage                       V<sub>xref</sub>  = Absolute Value of External Reference Voltage</p> <p>*The formula for determining V<sub>min</sub> is included in Instrument Operating Characteristics</p> <p><b>Example Calculations for External Reference Accuracy:</b> (90 days, 5½ digits)</p> <p>1. Input = + 90.000V, Ext. Ref. Input = 30.000V (+ 15V to Ext. Ref. HI, -15V to Ext. Ref. LO)                      A = .001% + 1 Digit      B = .001% + 1 Digit                      Ratio Accuracy = ±(A + B + 10 ppm) = ±(.001% + 1 Digit + .001% + 1 Digit + .001% = ±(.003% + 2 Digits)                      Reading may be between 3.0003 and 2.9997</p> <p>2. Input = 1.20000V,      Ext. Ref. Input = .12000 (V<sub>min</sub> for 1V Range)                      A = .001% + 1 Digit,      B = .001% + 1 Digit,      <math>\frac{200 \text{ ppm}}{V_{xref}} = \frac{.02\%}{.12} = .1667\%</math></p> <p>Ratio Accuracy = ±.001% + 1 Digit + .001% + 1 Digit + .1667% = ±(.1687% + 2 Digits)                      Reading may be between .998313 and 1.001686.</p>			
	Ext. Ref. Voltage	Accuracy										
+20V to +40V	±(A + B + 10 ppm)											
+V <sub>min</sub> * to +20V	±(A + B + $\frac{200 \text{ ppm}}{ V_{xref} }$ )											
<b>INSTRUMENT OPERATING CHARACTERISTICS</b>												
DC Volts	TEMPERATURE COEFFICIENT (0°C to 18°C and 28°C to 50°C)			INPUT IMPEDANCE								
	Range	Temperature Coefficient		Range	Input Impedance							
	100 mV	± (3 ppm/reading + 0.5 digit)/°C		100 mV	> 10,000 MΩ							
	1V	± (3 ppm/reading + 0.1 digit)/°C		1V	> 10,000 MΩ							
	10 V	± (2 ppm/reading + 0.05 digit)/°C*		10 V	> 10,000 MΩ							
	100 V	± (3 ppm/reading + 0.1 digit)/°C*		100 V	10 MΩ							
	1000 V	± (3 ppm/reading + 0.05 digit)/°C*		1000 V	10 MΩ							
	*For High Resolution Multiply Digits by 10.			Guard to Chassis	∞							
INPUT BIAS CURRENT												
	Bias Current	At time of Cal < ± 5 pA	30 Days (23°C ± 1°C) < ± 50 pA	Temperature Coefficient ± 3 pA/°C								

Table 1-3. Specifications (Cont)

INSTRUMENT OPERATING CHARACTERISTICS (Continued)					
DC Volts (Continued)	RESPONSE TIME				
	Digitizing Time			Analog Settling Time Within Voltmeter	
	Reading Rate*	Digitizing Time	Filter Mode	Step Input to 0.01% of Change	Step Input to 0.001% of Change
	50 Hz line 4 Samples/Rdg	22 ms	Filter, Fast	40 ms	50 ms
	32 Samples/Rdg	162 ms	Bypass	2 ms	20 ms
	128 Samples/Rdg	642 ms	Bypass	2 ms	20 ms
	60 Hz line 4 Samples/Rdg	18 ms	Filter, Slow	400 ms	500 ms
	32 Samples/Rdg	136 ms	Bypass	2 ms	20 ms
	128 Samples/Rdg	546 ms	Bypass	2 ms	20 ms
	*Number of samples per reading is programmable from 1 (2 <sup>0</sup> ) to 131,072 (2 <sup>17</sup> ) in 18 binary steps.				
ZERO STABILITY			OVERLOAD		
Better than 5 μV for 90 days after a one hr. warm-up. Front Panel pushbutton auto zero is provided. The zero correction is stored in memory until power is interrupted or the 8502A is RESET. If calibration memory Option -04 is installed, the zero correction is retained.			±1200V DC, 1200V peak to 60 Hz, or 1400V peak above 60 Hz may be applied continuously to any dc range without permanent damage. Maximum common mode rate of voltage rise is 1000V/μsec.		
NOISE REJECTION					
Normal Mode				Common Mode	
Line/Filter Frequency	4 Samples/Rdg	32 Samples/Rdg	128 Samples/Rdg	True	Effective
50 Hz Fast Filter	60 dB	70 dB	75 dB	100 dB at 60 Hz for 1 KΩ unbalance	Sum of Common Mode Rejection and Normal Mode Rejection
50 Hz Slow Filter	85 dB	90 dB	95 dB		
60 Hz Fast Filter	60 dB	70 dB	75 dB		
60 Hz Slow Filter	90 dB	95 dB	100 dB		

**128 SAMPLES/READING**

Typical Performance with 60 Hz Line  
(Combined digital and analog filtering)

Cusps shown are at multiples of 60 Hz line frequency.  
Similar cusps (not shown) occur every 7½ Hz.

----- Slow Filter  
 ——— Fast Filter

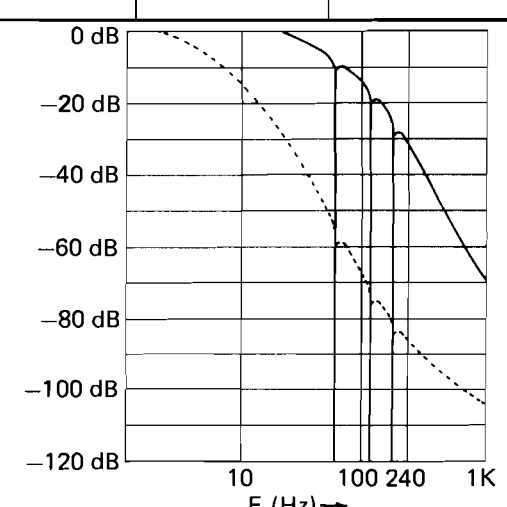


Table 1-3. Specifications (Cont)

INSTRUMENT OPERATING CHARACTERISTICS (Continued)				
DC Ratio	<b>INPUT IMPEDANCE</b>		<b>SOURCE IMPEDANCE</b>	
	Ext Ref HI or LO > 10,000 M $\Omega$ relative to Ohms Guard* or Sense LO		Resistive Unbalance (Ext Ref HI to LO) < 4 k $\Omega$ Total Resistance Sense LO from either HI or LO < 20 k $\Omega$	
	<b>BIAS CURRENT</b>		<b>OVERLOAD (Ext Ref HI or LO)</b>	
	Ext Ref HI or LO relative to Ohms Guard* or Sense LO < 5 nA		$\pm 180$ volts peak, 127V rms (relative to Ohms Guard* or Sense LO) X (360V peak HI to LO)	
	* Ohms Guard available through rear input (-16 or -17 Option)			
	<b>NOISE REJECTION</b>			
	<b>Normal Mode</b>		<b>Common Mode, All Inputs Driven</b>	
	<b>Sense Input</b> —Same as dc volts		<b>Sense Input</b> —Same as dc volts	
	<b>Ext Ref Input</b> —dc, line frequency and 2x line frequency > 100 dB		<b>Ext Ref Input</b> —Line frequency and 2x line frequency, 75 dB	
	<b>RESPONSE TIME</b>			
<b>Settling Time</b> Sense Input Fast Filter < 50 ms to 0.001% of change Sense Input Slow Filter < 500 ms to 0.001% of change		<b>Sense Input</b>		
		<b>Line Volt</b>	<b>Approx. Rdg. Rate</b>	<b>Digitizing Time</b>
<b>Digitizing Time</b> <i>NOTE</i> <i>The Sense Input is measured prior to measuring Ext Ref HI and LO.</i>		60 Hz	4½ rdg/s 1½ rdg/s	136 ms 536 ms
		50 Hz	3½ rdg/s 1¼ rdg/s	162 ms 642 ms
<b>Ext Ref Input</b> —Each input HI and LO 90 ms at 60 Hz line frequency 107 ms at 50 Hz line frequency		60 Hz	4 samples/rdg	18 ms
<b>Ext Ref Calibration</b> —12 ms		50 Hz	4 samples/rdg	22 ms
<b>EXT REF VOLTAGE RANGE</b>				
Maximum Ext Ref Voltage = $\pm 40$ V between Ext Ref HI and LO terminals, providing neither terminal is greater than $\pm 20$ V relative to the Sense LO or Ohms Guard terminals.				
Minimum Ext Ref Voltage = $\pm 0.0001$ V, or $\frac{V_{\text{input}}}{10^9}$ (whichever is greater)				
<b>MAXIMUM DISPLAY</b> — Ratio, Scaling or Offset Mode = $\pm 1.00000 \times 10^9$ in all Ranges				

## Section 2

# Operating Instructions

### 2-1. INTRODUCTION

2-2. Installation and operation of the 8502A Digital Multimeter are explained in this section. The 8502A's full capabilities may be realized by thoroughly reading and understanding these operating instructions. Explanations and applications are provided for all standard functions and operations. Read them. Should any difficulties arise, contact your nearest Fluke Sales Representative (list in Section 7), or the John Fluke Mfg. Co., Inc. (P.O. Box C9090, Everett, Wa., 98206; tel. (206) 342-6300).

### 2-3. SHIPPING INFORMATION

2-4. The 8502A is packaged and shipped in a foam-packed container. Upon receipt of the instrument, a thorough inspection should be made to reveal any possible shipping damage. Special instructions for inspection and claims are included with the shipping container.

2-5. If reshipment is necessary, the original container should be used. If the original container is not available, a new container can be obtained from John Fluke Mfg. Co., Inc. Please reference the instrument model number when requesting a new shipping container.

### 2-6. INSTALLATION

2-7. Non-marring feet and a tilt-down bail are installed on the instrument for field or bench use. A rack-mounting kit and rack slides are available for use with standard 19-inch equipment racks. Information regarding installation or rack-mounting accessories is contained in Section 6.

2-8. The 8502A operates from either 115V ac  $\pm 10\%$  or 230V ac  $\pm 10\%$ , 50 or 60 Hz (10% tolerance translates to high and low limits of: 103.5 to 126.5V ac, 207 to 253V ac).

### WARNING

**TO AVOID ELECTRICAL SHOCK, PROPERLY GROUND THE CHASSIS. A GROUND CONNECTION IS PROVIDED IN THE THREE-PRONG POWER CONNECTOR; IF PROPER GROUND IN YOUR POWER SYSTEM IS IN DOUBT, MAKE A SEPARATE GROUND CONNECTION TO THE REAR PANEL CHASSIS BINDING POST. OTHERWISE, THE POSSIBILITY OF ELECTRICAL SHOCK MAY EXIST IF HIGH VOLTAGE IS MEASURED WITH THE LEADS REVERSED (INPUT HI GROUNDED).**

### 2-9. OPERATING FEATURES

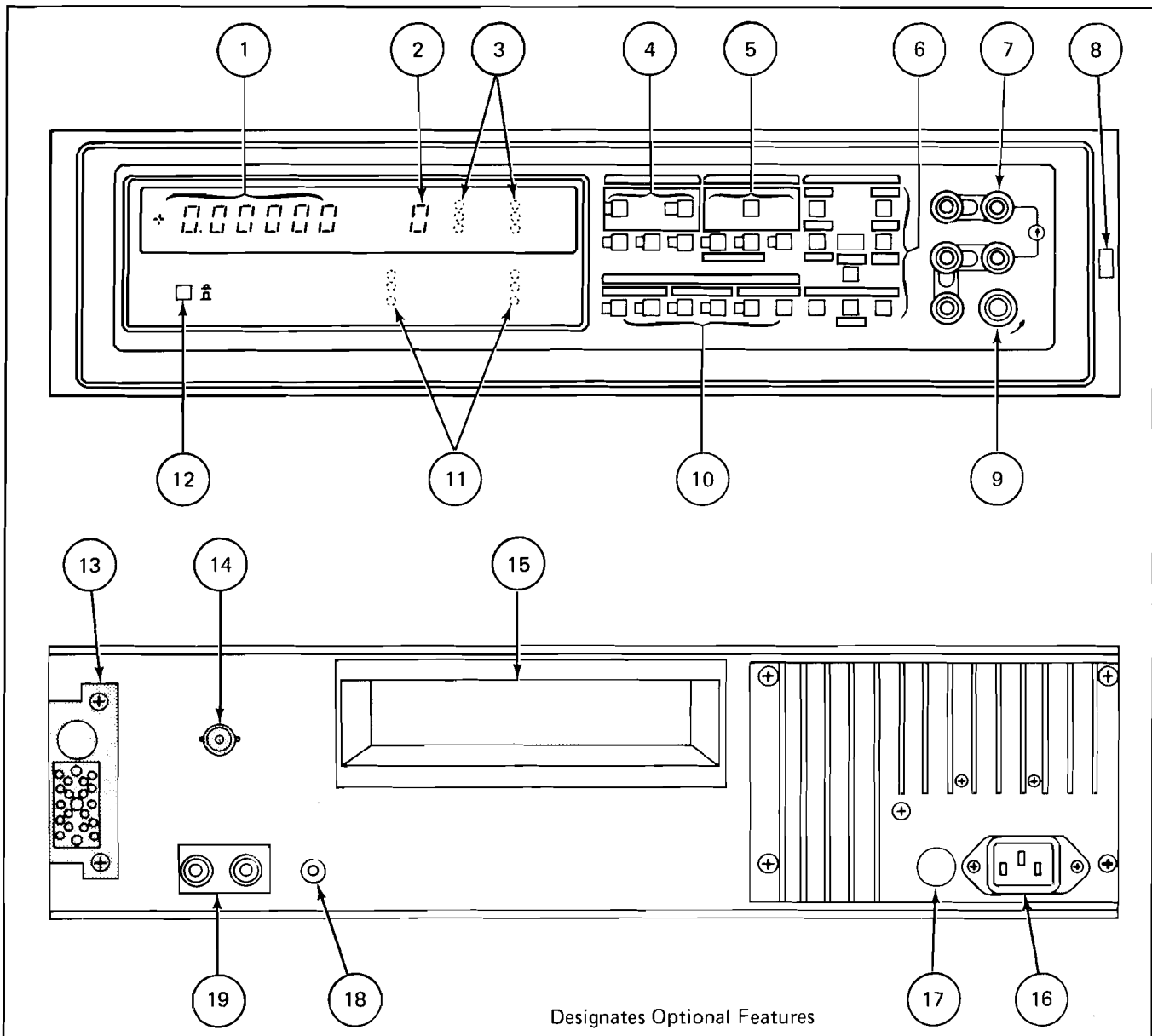
2-10. Display, control, and terminal locations on the 8502A can be found in Figure 2-1. Table 2-1, will then detail respective functions. In addition, a convenient set of condensed operating instructions is provided under the instrument's front right side. Just pull out the tab.

### 2-11. OPERATING NOTES

#### 2-12. Input Power

2-13. A binding post on the rear panel has been provided as an earth ground connection. Power supply switching (115V or 230V ac) is explained in Section 4. With the exception of slower reading rates and filter time outs, operation at 50 Hz is identical to that at 60 Hz.

2-14. The line fuse (.5A MDL Slow Blow) is located on the rear panel, near the heatsink. The current protection fuse (1.5A AGC) is located in the lower right-hand corner of the front panel.



Designates Optional Features

Figure 2-1. 8502A Controls and Indicators

Table 2-1. 8502A Controls and Indicators

REF. NO.	NAME	FUNCTION
1	Digit Display	Displays 5 1/2 digits with polarity and properly positioned decimal point. When instrument is in Hi Res mode, the exponent display will be used as an extra digit (for 6 1/2 digits).
2	Exponent Display	Displays polarity and value of exponent for engineering notation.
3	Range and Function Indicators	LED's illuminate to identify function and autoranging selection.
4	FUNCTION Controls	Push to select volts (VDC, VAC), current (A DC, A AC), or OHMS. Serve as dual function controls for numeric entries.

Table 2-1. 8502A Controls and Indicators (cont)

REF. NO.	NAME	FUNCTION
5	RANGE Controls	Manually shift range up or down. Enter high resolution mode. Select auto or manual ranging. Recall (HI, LO) peak or limit. Store (HI, LO) limit values. Serve as dual function controls for numeric entries.
6	MEMORY Controls	Toggle into/out of LIMITS, PEAK, CAL, OFFSET or SCALING. RECALL Memory values. Manual TRIGGER. STORE applied values, numerics. ENTER or clear (CE) numerics.
7	INPUT Terminals	SENSE INPUT HI and LO for volts, ohms. INPUT SOURCE HI and LO for amps, ohms. Guard Current protection fuse. GUARD.
8	(REAR INPUT IN)	Optional (-16)
9	Current Fuse	Use AGC 1.5A
10	MODIFIER Controls	RESET RESUME REMOTE EXT REF FILTER SAMPLE Numerics
11	Status Display	LED's light for: Slow filter Sample (flashes at reading rate) SCALING selected REMOTE selected OFFSET selected PEAK selected LED's flash if CAL or EXT REF selected
12	Power Switch	Push on/Push off
13	(Rear Input Connector and Fuse)	Optional connections for remote input and external reference terminals (-16, -17).
14	(External Trigger Input)	Optional (-08A)
15	(Interface Connectors and Switches)	Optional remote interface module accessible in this area (-05, -06, -07)
16	Power Connector	Three-prong connector accepting line cord with ground wire.
17	Line Fuse	Use MDL .5A (slow blow).
18	Chassis Ground	Binding post for ground interconnections.
19	External Reference Terminals	Apply external reference voltage. (40V max between HI and LO).



**2-15. Display**

**2-16. DESCRIPTION**

2-17. The 8502A's display consists of a digit readout, exponent, and LED annunciators for indication of instrument function and status. Specifically, these features provide:

1. 5 1/2 or 6 1/2 digit display with polarity, automatic reading and decimal placement.
2. Exponent display with polarity for readings in engineering notation. Serves as an extra digit of resolution in Hi Res and Cal modes.
3. Function and autoranging indicators light for function selected and for autoranging.
4. Status indicators give a constant illumination to signify selection of REMOTE, OFFSET, PEAK, SCALING, slow FILTER. Dual function LED's will flash to indicate selection of CAL or EXT REF. SAMPLE LED will flash at the reading rate selected (with more than 128 samples per reading, the LED will flash at the same rate to denote a reading in progress).
5. Power ON LED.

**2-18. WARNING INFORMATION**

2-19. The digit and exponent displays will provide warning indications and error codes.

1. "HHHHHH" will flash at the reading rate if the input voltage exceeds the full scale value for the range selected. Full scale values are included with the specifications in Section 1.
2. "H" will flash in the exponent display should an input voltage greater than 40V occur when in the Scaling, External Reference or Offset modes.
3. These flashing indications will not be seen when in the Cal mode.

*NOTE*

*Flashing indicators in the digit or exponent display are a warning only; they have no effect on instrument operation.*

4. Error codes will be provided in the digit and exponent displays when appropriate. Consult Table 2-2 for applicable meanings.

*NOTE*

*Error codes will not be displayed in Cal mode. Random readings will then be the only indication of an invalid function or faulty module.*

**Table 2-2. Error Codes**

CODES	FAULT
Error	System error — if this error message appears prior to the introductory messages at power initialization or reset, the problem is with the calibration memory module.
Error 0	VDC/Ohm Zero Error — either a VDC/Ohm Zero was attempted in a range other than 100 mV or 10 ohms, or an overrange was entered.
Error 1	Store during overload condition attempted.
Error 2	Filter module error — the module is faulty or not installed.
Error 3	DC Signal Conditioner error — the module is faulty or not installed.
Error 4	Ohms or Current error — excessive voltage applied to the selected module, shorting links not properly connected, or the selected module is faulty.
Error 5	R <sup>2</sup> A/D error — the recirculating remainder analog to digital converter module is faulty or not installed.
Error 6	Numeric display overflow error.
Error 7	External Reference error — the magnitude of one of the external reference inputs is greater than 20V dc.
Error 8	Controller error — the module is faulty or not installed.
Error 9	Function Selection error — the function module selected, other than dc volts, is faulty or not installed.
Error C	Invalid switch sequence during Recall or Store operations.

**2-20. SPECIAL CONSIDERATIONS**

**2-21. Cal**

2-22. Use of the Cal mode will significantly change normal display indications. As noted above, no warning indications will be displayed. Further, the exponent display will now serve as an extra digit of resolution (yielding 6 1/2 digit resolution).

**2-23. Hi Res**

2-24. The exponent display will be used as an extra digit of resolution in the High Resolution mode (not used in the 100 mV or 100 uA ranges). No exponent will be displayed.

Although not visible in Hi Res, the exponent remains in effect; care should be exercised when interpreting readings. To avoid confusion, remember that an exponent in the exponent display will always have its own polarity sign; a high resolution digit will not.

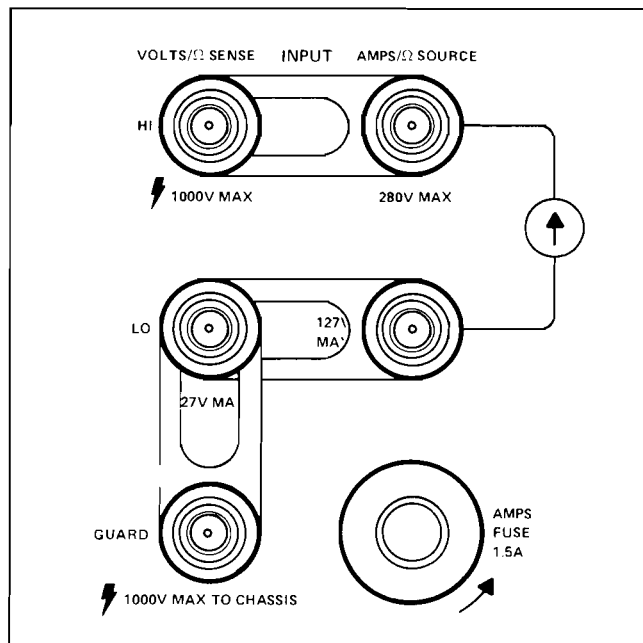
**2-25. Input Terminals**

**2-26. TERMINAL INTERCONNECTIONS**

2-27. For dc voltage measurements, both INPUT HI terminals may be left strapped together, The INPUT LO terminals may likewise remain strapped. For most measurements, it is sufficient to strap GUARD to INPUT LO. Refer to Figure 2-2, for recommended input terminal strapping.

**CAUTION**

The guard terminal should not be left disconnected. Instrument damage can occur if common mode voltage exceeds the LO to GUARD maximum voltage rating (127V).

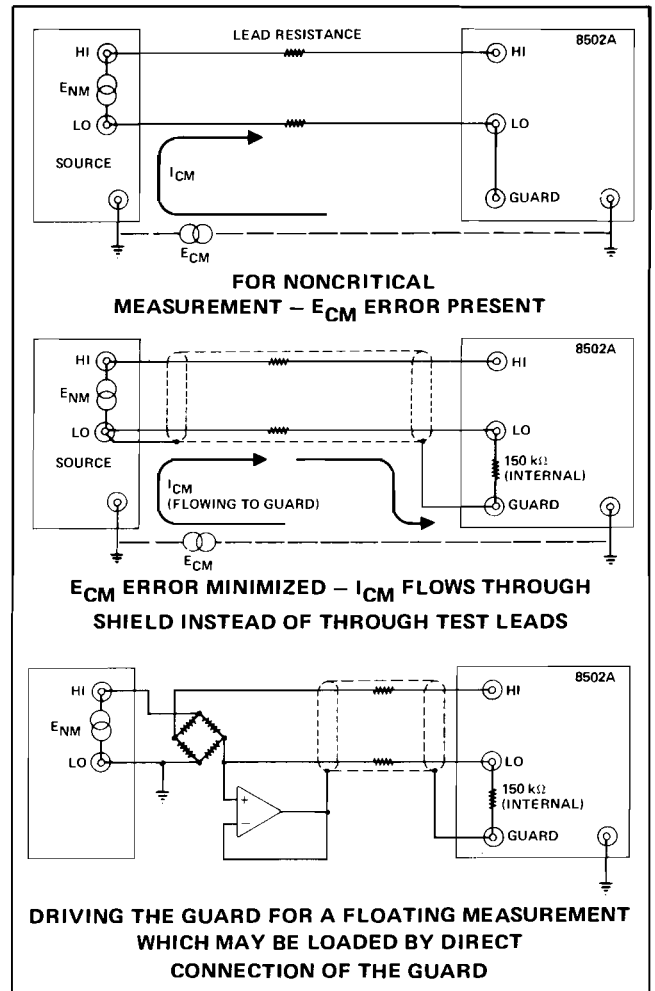


**Figure 2-2. Front Panel Terminal Interconnections**

**2-28. GUARDING**

2-29. Common mode voltages, resulting from currents and voltage drops between two points otherwise electrically common, may produce significant errors. Proper use of a floating, guarded voltmeter will minimize these errors and allow representative reading of normal mode voltages (actual source voltage and noise).

2-30. Correct use of the 8502A's guard terminal will both protect the instrument and provide more accurate readings. Since the LO to GUARD maximum voltage rating is 127V, the guard terminal should always be connected either to the INPUT LO terminal or to a point in the source circuit to be measured. For accurate readings, connect the guard to minimize common mode currents flowing through any resistance which helps determine the voltage being measured. See Figure 2-3, for suggested guard connections.



**Figure 2-3. Guard Connections**

2-31. Generally, guarding should be used in the following situations:

1. When long signal leads are used.
2. When signal source impedance is high.
3. When making measurements near high-level radiated noise, particularly at the power line frequency.
4. When making floating measurements.

**NOTE**

*Errors due to thermal EMF's should be considered when making low level, high resolution measurements. Thermal EMF's (voltages produced by temperature differences between contacts of two dissimilar metals or by temperature gradients along a length of material) may cause differences in potential of several microvolts. Since the 8502A utilizes gold-plated input terminals, the use of low EMF, shielded cables with gold-plated spade lugs will minimize thermal EMF errors.*

**2-32. Front Panel Controls**

2-33. Most front panel controls are momentary contact switches. If held in continuously, such switches will be read only one time. In addition, some of these switches will hold a particular reading in the 8502A's display for as long as they are held depressed. Front panel switches may have 1, 2, or 3 functions; switch sequencing will determine which function is in effect for multi-function switches. Refer to "OPERATING DIRECTIONS" later in this section for detailed front panel control procedures.

**2-34. Function**

2-35. The DC volts function is standard with this instrument; optional modules must be included for all other functions. Complete information for any options included with your 8502A can be found in Section 6 of this manual. If a function is selected for which the appropriate module is not installed, "Error 9" will appear in the display.

**2-36. Range**

2-37. DC volts can be measured on five successive ranges from 100 mV to 1000V. Respective resolutions vary from 1  $\mu$ V to 1 mV. Input impedance on the 100V and 1000V ranges is 10 Mohms. On the lower three ranges it is greater than 10,000 Mohms. Overrange capabilities, DC voltage accuracies, and overload protection conditions are detailed in Section 1 of this manual.

**2-38. Modifiers****2-39. FILTER**

2-40. The 8502A has five filter modes.

1. F – slow filter, no time out – FILTER LED on.
2. F0 – fast filter, no time out.
3. F1 – filter bypass.
4. F2 – slow filter, with time out (550 msec, settling time) – FILTER LED on.

5. F3 – fast filter, with time out (50 msec, settling time).

("Fast" and "slow" refer to the respective filter's settling time.)

2-41. The slow filter will provide better line frequency rejection; the fast filter discriminates against higher frequency and harmonically related line noise. Time outs are always inserted before the first reading is taken in a newly selected function or range. With F2 or F3 selected, time outs will always be inserted before each subsequent reading in that function or range.

**2-42. SAMPLE**

2-43. Samples taken in the 8502A can be synchronous or asynchronous to the line frequency. Line frequency noise rejection can be increased by averaging more samples per displayed reading (refer to NOISE REJECTION specifications in Table 1-3 of this manual.) Provision is therefore made to change the number of samples taken for each reading (display update). Setting the samples per reading will yield a specific reading time. Additional time per reading will be necessary whenever memory operations (Offset, Scaling, etc.) are involved. Ohms measurements will also require more time due to the multiple readings involved.

2-44. For example, if rate 7 is selected, 128 samples will be taken and averaged per reading. With no memory operations involved, digitizing time for a dc volts reading will therefore take 533 ms. Sample rate designations (such as 7) are actually the number of samples per reading expressed as exponents of 2; rate 7 =  $2^7 = 128$  samples per reading.

**2-45. EXTERNAL REFERENCE**

2-46. An external reference dc voltage can be used to divide the inputs in any function. A true ratio measurement is then computed by the Controller.

$$\text{Reading} = \frac{\text{Input}}{\text{dc Ext. Ref. Input}}$$

2-47. A pair of external reference terminals will be found either separately on the rear panel or together in the optional rear input connector.

1. The applied external reference voltage may be a maximum of  $\pm 20$ V at either external reference HI or LO or 40V between HI and LO, with respect to SENSE LO (or to Ohms Guard in the rear input connector).

2. The minimum voltage applicable to the external reference terminals is the greater of either  $\pm 100 \mu\text{V}$ , or a value found with the following formula:

$$V_{\min} = \frac{\pm |V_{\text{in}}|}{10^9}$$

3. The resistance between either EXT REF terminal and INPUT LO should be less than 20 Kohms. Normally, EXT REF LO will be tied to INPUT LO.

#### 2-48. REMOTE

2-49. If an optional remote interface is installed, the REMOTE switch may be used to toggle into or out of remote control. With the IEEE (Option -05) Interface installed, only toggling out of remote control is permitted from the front panel. When in remote control, only the remote switch and the power switch will have any effect on the instrument's operation. A reset caused by power interruption will return the instrument to local control.

2-50. Remote control does not affect analog inputs on the High Quality Bus. With Rear Input (Option -17) or Switchable Front - Rear Inputs (Option -16), separate Sense Hi and Lo, Source Hi and Lo, Guard, Ohms Guard, and External Reference connections must be made remotely.

#### 2-51. Memory

2-52. The 8502A provides considerable versatility in measurement manipulations through both front panel and remote programming. Displayed numbers are computed from measured data according to the following general equation, where:

- y = the displayed number
- m = the scaling factor or external reference
- x = the actual input (averaged samples)
- b = the offset factor (subtracted)

Thus:

$$\left[ y = \frac{x}{m} - b \right]$$

- 2-53. Either displayed values or numeric sequences may be stored as memory factors.

#### NOTE

*Storing a value in memory does not select a mathematical operation. The operation must be selected separately before or after the value is stored.*

#### 2-54. LIMITS

2-55. Any currently displayed value may be stored as a limit value. With such values stored as references, the 8502A (toggled into the Limits mode) will yield a display of:

1. HI if the reading is greater than the high limit.
2. PASS if the reading is less than or equal to the high limit and greater than or equal to the low limit.
3. LO if the reading is less than the low limit.

#### NOTE

*HI, LO, and PASS describe the normally displayed reading, with all math operations completed, relative to the limit values.*

2-56. Only one set of limits may be stored at a time. A function change will exit the Limits mode but retain stored values.

#### 2-57. PEAK

2-58. Highest and lowest values displayed in any series of measurements may be stored when in the Peak mode. Toggle in and out of this mode by depressing the PEAK switch. Peak values will be retained after the mode is deactivated but lost should the instrument be reset or the mode reselected.

#### 2-59. CALIBRATION MODE

2-60. The CAL switch will be found on the front panel behind a small plastic cover which pulls out and hinges down. Sliding the switch down places the 8502A in the Calibration mode. This mode is designed primarily to be used with the Calibration Memory (Option -04). When this module is installed and the instrument is in the Calibration mode, correction factors can be stored at the decade point for each range and function. Refer to Section 6 of this manual for complete Calibration Memory procedures.

2-61. If the Calibration Memory is installed, inadvertent use of the STORE switch will store the last reading as a calibration factor and erase calibration factors for the function and range in use at the time. To correct this possible mistake without a calibration standard, disconnect the input, short the input terminals, and press STORE again.

2-62. Whether or not the Calibration Memory module is installed, entry into the Calibration mode (CAL LED flashes) necessitates consideration of the following alterations to the 8502A's display:

1. The exponent is replaced with an extra digit of resolution.
2. Error codes are disabled. Only spurious readings will now denote selection of an invalid function.
3. The overrange indication is disabled.

**NOTE**

*When changing from one function to another, or upon entering the Cal mode, memory modes will be deactivated. Stored values will be retained. Use of RESET or interruption of power to the 8502A will erase memory entries.*

2-63. **OFFSET**

2-64. The Offset mode can be used to automatically subtract a number from the measured input and display the result. The subtracted offset number may be:

1. Any currently displayed value.
2. A programmed numeric entry (ranging from  $+10^9$  to  $-10^9$ ).

2-65. The displayed reading in Offset mode will exhibit no increase in digit resolution. Only one offset factor at a time can be stored. A function change will deactivate Offset mode; the stored value will be retained. A flashing H will appear in the exponent display should more than 40V appear between the input terminals when in Offset mode.

2-66. **SCALING**

2-67. The Scaling mode may be used to automatically divide a measured input by a programmed number or by an applied value. This feature essentially provides the ability to program an external reference without standard external reference limitations in range. In fact, scaling values may range from  $+10^9$  to  $+10^{-9}$  and from  $-10^9$  to  $-10^{-9}$ . A scaling factor of 0 is not allowed. Scaled readings will contain 3 significant digits if the original reading had 3 or less significant digits. For more than 3 significant digits in the original reading, the scaled reading will display the same number of significant digits. Only one scaling factor may be stored at a time. A function change will deactivate the Scaling mode but retain the stored factor.

**NOTE**

*If the 8502A is in both Scaling and Offset, the scaling factor will be applied first; the scaled displayed values will then be offset.*

2-68. **ZEROING**

2-69. There are two methods of zeroing the 8502A. Either method may be used in the 100 mV range or the 10 ohm range.

2-70. **VDC/Ohms Zero**

2-71. Correction for internal dc drift can be made by applying a good quality, low thermal short between HI and LO terminals (not between test leads). If necessary, repeat this operation once the instrument has warmed up. Only dc volts zero factors may be recalled.

2-72. **Zeroing with OFFSET**

2-73. After zeroing for internal drift, separate dc volts and 2-wire ohms measurement corrections can be made by shorting the test leads and storing the reading as an offset factor.

**2-74. Systems Use of the 8502A**

2-75. The availability of optional interface modules makes the 8502A adaptable to a large variety of digital systems. Operating and programming instructions related to remote operation are included with the appropriate optional module. Overall information on remote interfacing can be found in Fluke Application Bulletin –25 “System Use of the Fluke Model 8500A”, Specific information about the IEEE interface (–05 Option) may be found in Fluke Application Bulletin –36. Application Bulletin –37 “Unique Measurements Using the 8500 Series Digital Voltmeter” will also be useful for both local and systems use of the 8502A.

**2-76. OPERATING DIRECTIONS****2-77. Initial Settings**

2-78. Upon applying power to the 8502A, the display will read:

“HI – 2.0.Y”

(“Y” will be the number of the software version employed in your instrument.) Then:

“CXXXXX”

(“X” will be identifying numbers for installed options.)

The instrument will now assume the following status:

1. V DC function
2. 1000V range
3. Slow reading rate (7)
4. Fast filter (F0)

5. Offset – off and zeroed  
 Scaling – off and set to 1  
 Peaks – off and set to 0  
 Ext Ref – off  
 Trigger – Auto  
 VDC/Ohms Aero – zeroed  
 Remote – out, in local.

## 2-80. Front Panel Control Usage

2-81. Figures 2-4, 2-5, 2-6, and 2-7 will describe 8502A front panel control usage. When initially setting these controls, use the following grouping sequence:

- 2-79. Allow a 1 hour warm-up to insure rated accuracy.      FUNCTION → RANGE → MODIFIERS → MEMORY

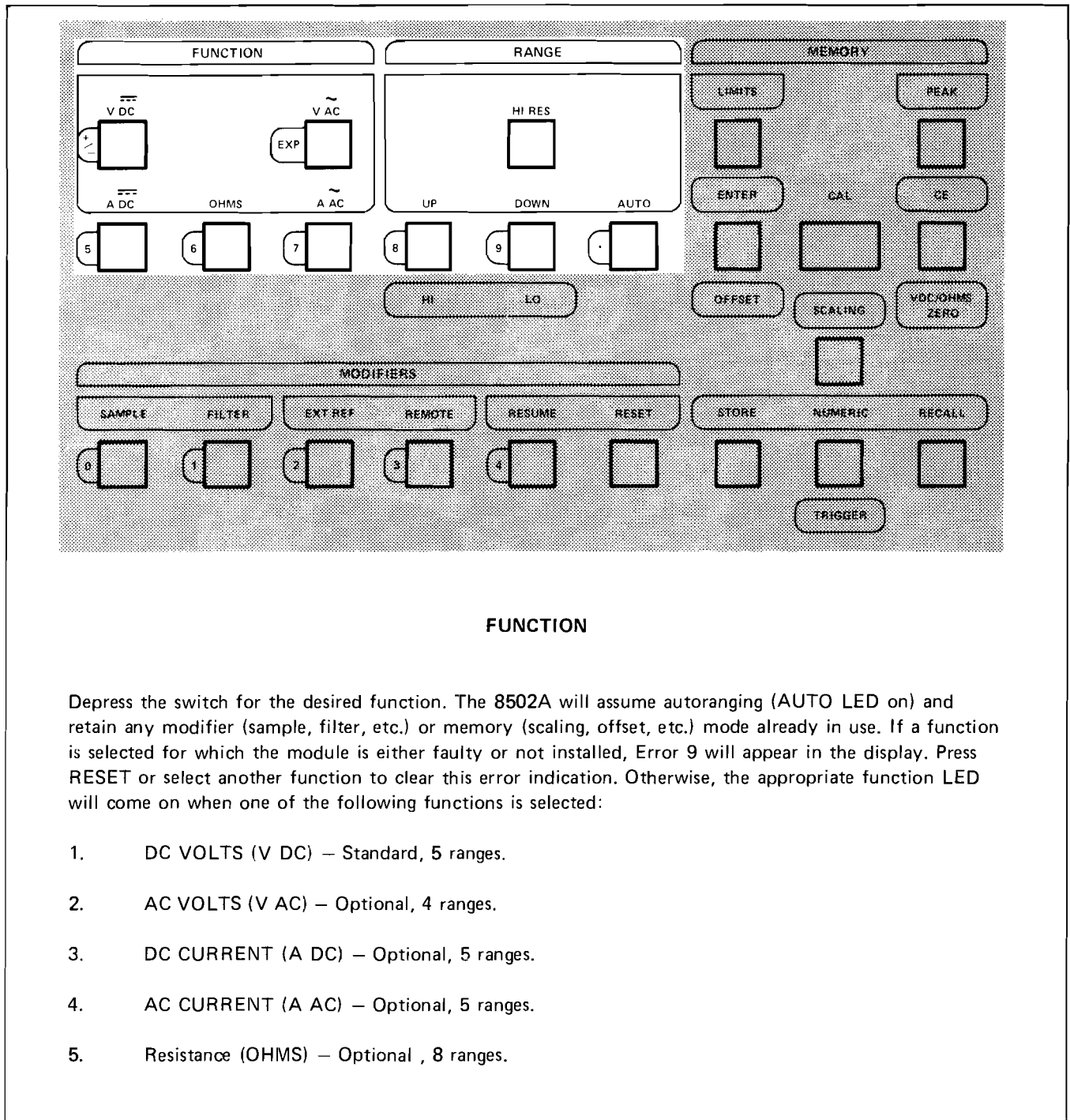


Figure 2-4. Function and Range

### RANGE

Range switching in the 8502A can be either manual or automatic.

UP

Advances 8502A to the next higher range with each application. UP will have no effect at the top of the range. If the 8502A is in autoranging, application of UP will both shift to manual range and change the range.

DOWN

Steps 8502A to the next lower range each time it is depressed. DOWN will have no effect at the bottom of the range.

AUTO

Toggles the 8502A into/out of the Autoranging mode.

HIGH RESOLUTION

Depress the HI RES switch to enter this mode (not available in 100 mV DC or 100 mA range). Depress it a second time to exit the mode. Don't forget that, although the exponent is not displayed, it does remain in effect.

Figure 2-4. Function and Range (cont)

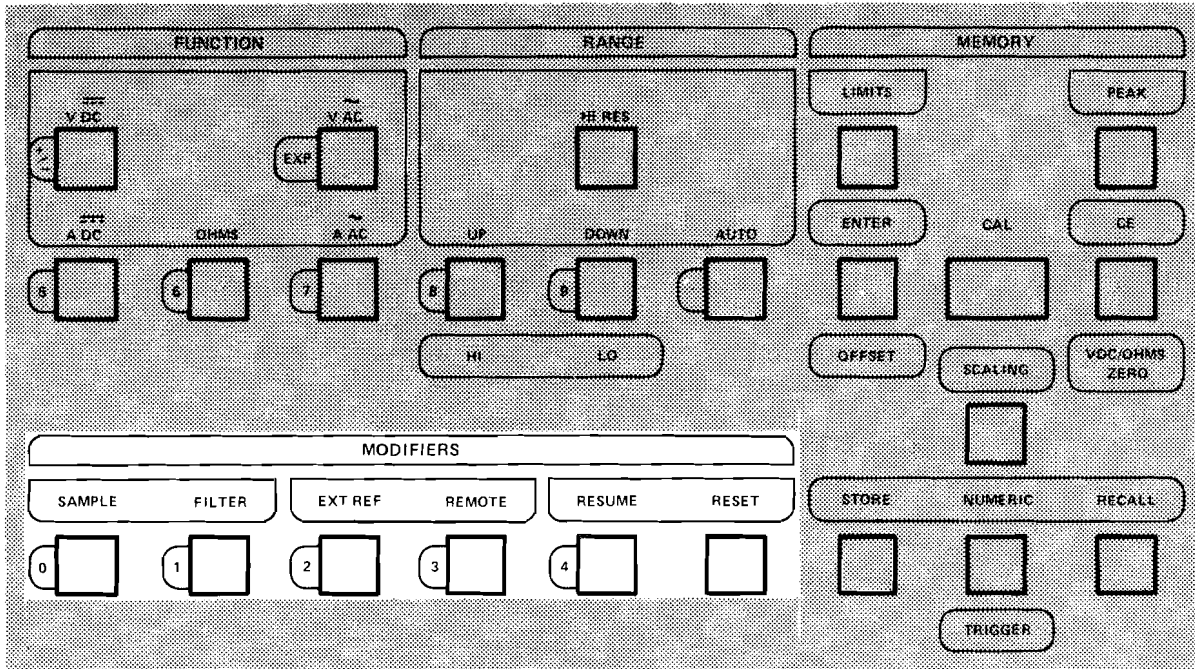


Figure 2-5. Modifiers

□ SAMPLE □

1. Press SAMPLE to toggle between samples/reading rates 5 and 7.
2. Alternately, any rate between 0 and 17 may be programmed from the front panel. Press:  
STORE → NUMERIC → SAMPLE → (rate number) → ENTER  
The new rate will go into effect as soon as ENTER is pressed.
3. To display the samples/reading rate, press:  
RECALL → SAMPLE  
The rate will be displayed as long as SAMPLE is held depressed.
4. The SAMPLE LED will flash at the samples/reading rate selected. With more than 128 samples/reading (rate 7) there will be no distinguishable rate difference from the LED's indications at rate 7.

□ FILTER □

1. Press FILTER to toggle between filter modes F and F0. The FILTER LED will come on for F (slow filter).
2. Use the following switches to select filter modes F, F0, F1, F2, or F3:  
STORE → NUMERIC → FILTER → (-, 0, 1, 2, or 3) → ENTER
3. Display the filter mode in effect by pressing:  
RECALL → FILTER  
The mode will be displayed as long as FILTER is held depressed.
4. If modes F1 or F3 are in effect, subsequent use of FILTER will toggle the 8502A back to mode F. If mode F2 is in effect, pressing FILTER will toggle back to mode F0.

□ EXTERNAL REFERENCE □

1. Press EXT REF to enter the External Reference mode (EXT REF LED will flash). The external reference voltage applied at the rear panel terminals will be displayed as long as EXT REF is held depressed. Release of the switch enters the 8502A into the External Reference mode.
2. For proper external reference operation; the resistance between SENSE LO on the front panel and external reference HI or LO on the rear panel must be less than 20 Kohms. Apply a direct connection between these two points to insure correct operation.

□ REMOTE □

1. Use REMOTE to toggle between local and remote operation with either the RS 232 (Option -06) or the Parallel (Option -07) Interface installed.
2. Use REMOTE to toggle into local only if in remote with the IEEE (Option -05) installed.

Figure 2-5. Modifiers (cont)



RESUME

Use RESUME to exit Manual or External Triggering modes.

RESET

Use RESET to put the 8502A back to the power on status:

1. V DC function.
2. 1000V range.
3. F0 filter.
4. 7 sample.
5. No other modifiers or memory modes in effect.
6. Memory entries lost. (Calibration Memory (Option -04) entries will not be lost.)

Figure 2-5. Modifiers (cont)

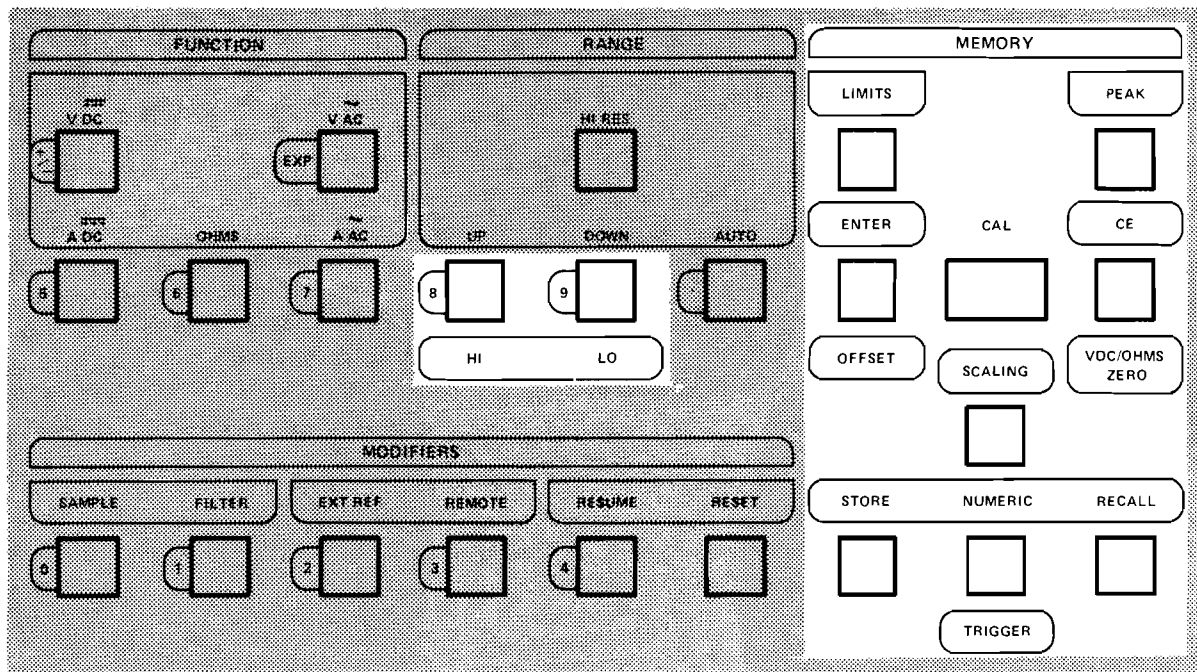


Figure 2-6. Memory

### DISPLAY INDICATIONS WHEN PROGRAMMING THE 8502A

The display will respond to memory programming as in the following example:

PRESS	DISPLAY RESPONDS
STORE	"?"
NUMERIC	YES?
OFFSET	Go
(numbers)	1, 2, 3 . . .
ENTER	Return to normal display.

#### LIMITS

1. Select the Limit mode by depressing the LIMIT switch. A display of HI, LO, or PASS will indicate that the mode has been entered. Depress LIMIT a second time to exit the mode.
2. To store any displayed value as a limit value; use the following sequence:

STORE → HI

STORE → LO

The value being entered will be displayed as long as HI or LO are held depressed. Release of either switch will enter the value as the respective limit. LIMIT must be separately depressed before or after entering values to enter the Limit mode.

3. To enter numeric values as limit values, press:

STORE → NUMERIC →  $\begin{matrix} \text{HI} \\ \text{or} \\ \text{LO} \end{matrix}$  → (value numbers) → ENTER

LIMIT must be depressed to enter the mode.

4. To display the stored limits, press:

$\begin{matrix} \text{HI} \\ \text{or} \\ \text{LO} \end{matrix}$  → RECALL → or → LIMIT

The respective value will be displayed as long as LIMIT is held depressed.

#### PEAK

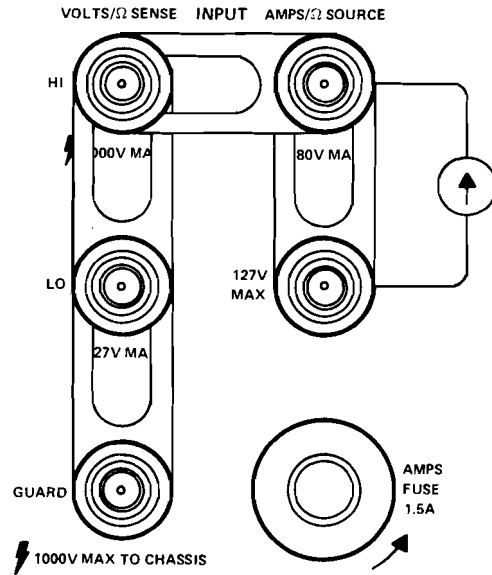
1. Press PEAK to toggle into or out of the Peak mode (PEAK LED will come on).
2. To display the readings recorded in this mode, use the following sequence:

RECALL →  $\begin{matrix} \text{HI} \\ \text{or} \\ \text{LO} \end{matrix}$  → PEAK

Figure 2-6. Memory (cont)

VDC/OHM ZERO

1. Correct for internal drift by shorting the input terminals as illustrated. Use a good quality, low thermal short. The instrument must be in the 100 mV or 10 ohm range.



Now use the switches:

STORE → VDC/OHM ZERO

The value will be displayed as long as VDC/OHM ZERO is held depressed. The display will be zeroed once VDC/OHM ZERO is released.

2. To display the stored zero correction (for dc volts only), press:

RECALL → VDC/OHM ZERO

The value will be displayed as long as VDC/OHM ZERO is held depressed.

OFFSET

1. Enter the Offset mode by pressing OFFSET (OFFSET LED will come on). Exit this mode by again depressing OFFSET.
2. Store any currently displayed value with the following procedure:  
STORE → OFFSET
3. To enter a programmed numeric value as an offset, use the following procedure:  
STORE → NUMERIC → OFFSET → (numbers) → ENTER
4. To use OFFSET as a zeroing feature, first perform VDC/OHM ZERO. Then, short test leads used in dc volts or 2-wire ohms measurements. Press:

STORE → OFFSET

The value will be displayed as long as OFFSET is held depressed. Push OFFSET a second time to enter Offset mode.

Figure 2-6. Memory (cont)

□ SCALING □

1. Press SCALING to enter this mode (SCALING LED will come on). Pressing the switch a second time will exit the mode.
2. Store any currently displayed value as a scaling factor by pressing:  
STORE → SCALING  
Read the value as long as SCALING is held depressed. Enter the mode by again depressing SCALING.
3. Enter a programmed numeric as a scaling factor by pressing:  
STORE → NUMERIC → SCALING → (numbers) → ENTER  
Press SCALING to enter the mode.
4. Display a stored scaling factor by pressing:  
RECALL → SCALING

□ CAL □

1. Enter the Cal mode by sliding the CAL switch down (the CAL LED will flash). This switch will be found behind a small plastic cover which pulls out and hinges down. Use a small screwdriver or equivalent to slide the switch.
2. To enter calibration factors for each range and function, the optional Calibration Memory must be installed. Refer to Section 6 for applicable operating instructions.

□ TRIGGER □

1. Press TRIGGER to activate both manual triggering mode and external triggering operation (–08A Option installed). The 8502A will now accept either:
  - a. A manually triggered reading with each subsequent depression of TRIGGER, or
  - b. An external trigger applied through the rear panel connector (part of Option –08A).

Manual triggering from the front panel will take precedence if a simultaneous external trigger is received.
2. Exit manual/external triggering by pressing RESUME.
3. When you press a switch it is acted upon immediately, and the reading is aborted. Thus, if the instrument is in manual trigger and a switch is pressed during the reading, the 8502A will halt. It will then be necessary to press TRIGGER again to take the reading.

□ CE □

Use this switch to clear a numeric entry prior to entry into memory.

Figure 2-6. Memory (cont)

ENTER

Use this switch to enter a numeric into memory.

STORE

Use to initiate a numeric entry sequence.

RECALL

Use to initiate recall and display of stored values.

**CORRECTING ENTRY ERRORS**

There are a number of methods to correct memory entry errors. Choices include staying in the entry sequence, exiting the sequence and retaining memory, or exiting the sequence and losing memory.

1. Stay in sequence: CE – erases only numbers before entry.
2. Exit sequence, retain memory: Generate any invalid switch sequence that will result in “Error C”.
3. Exit sequence, lose memory: RESET or power interruption causes 8502A to assume V DC 1000V, F0, sample 7, blank memory (optional Calibration Memory not affected).

Figure 2-6. Memory (cont)

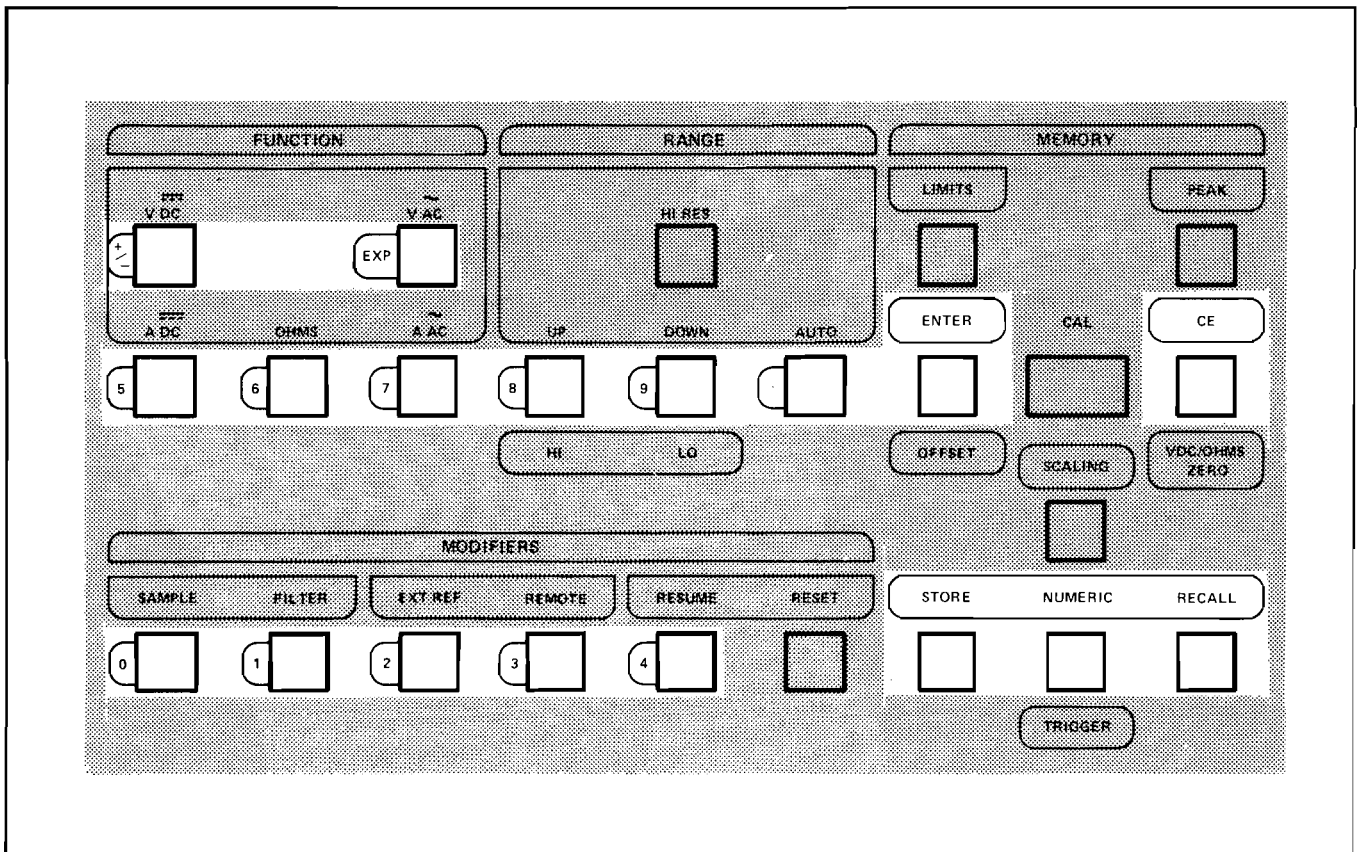


Figure 2-7. Numerics

□ STORE □

Use the numeric sequence whenever entering a value (as in Offset) or a particular mode (as in Filter) into the 8502A's memory. Use the following procedural steps:

1. Initiate the numeric entry. Press:

STORE	(“?” appears in display)
NUMERIC	(YES? appears in display)

2. Select the desired use for the numeric entry. Press:

OFFSET	(Go appears in display)
(SCALING FILTER, SAMPLE, HI or LO for LIMITS).	

3. Select the desired numbers. Numbers will appear in the display from left to right as they are entered.

**NOTE:** Press CE if an error is made during the following number, polarity and exponent entry steps. The 8502A will then display Go. Start entries again from this point.

- a. For Filter, enter the mode number (–, 0, 1, 2, or 3).
  - b. For Sample, enter the exponent of 2 for samples averaged in each reading (0 through 17).
  - c. For Offset, enter the number(s) for the offset factor.
  - d. For Scaling, enter the number(s) for the scaling factor.
  - e. For Limits (HI, LO), enter the numeric values desired.
4. To change the polarity of the numeric entry, press:
- +/-
5. To add an exponent to the numeric entry, press:
- EXP
6. To change polarity for the exponent, now press:
- +/-
7. To finalize storing of the entry and exit the numeric sequence, press:
- ENTER
8. The value is now stored. For Filter or Sample entries, the value is now also in effect. For Offset, Scaling or Limits, the value will not become effective until the appropriate mode is selected.

Figure 2-7. Numerics (cont)

**2-82. Measurement Instructions**

## 2-83. DC VOLTAGE (V DC)

2-84. Use the following procedure when measuring dc volts:

1. Select the VDC function.
2. The 8502A will go to autoranging. If desired, select manual ranging and one of the five available ranges (1000V, 100V, 10V, 1V, or 100 mV).
3. Perform DC Zero, if needed (100 mV range only).
4. Select desired modifiers and memory operations.
5. Connect the dc voltage to the HI and LO SENSE INPUT terminals.
6. A dc voltage reading should now appear in the display.

## 2-85. DC ZERO

2-86. For dc zeroing, use the following steps:

1. Select the V DC function and either autoranging or the 100 mV manual range.
2. Place a good quality, low thermal short across the HI and LO INPUT terminals.
3. Depress the STORE switch. "?" will appear in the display.
4. Depress the VDC/OHMS ZERO switch; value applied to input terminals will now be displayed as long as the switch is held depressed.
5. Release of the switch will activate V DC/Ohms Zero mode, applying the value read in step 4 as a zero reference for subsequent readings.

## 2-87. AC VOLTAGE (V AC)

2-88. Use the following procedure when measuring ac volts:

1. An AC Converter module must be installed (Option -01, or -09A).
2. Select the VAC function.
3. The 8502A will go to autoranging; manual ranging can be selected if necessary. There are four available ranges: 1000V, 100V, 10V, 1V.

4. Perform DC ZERO, if necessary. No additional zero procedure is needed for ac voltage.
5. Select desired modifiers and memory operations.
6. The slow filter (FILTER LED illuminated) must be selected for full accuracy below 400 Hz.
7. Connect the ac voltage to the HI and LO SENSE INPUT terminals.
8. The ac voltage should be read in the display.

## 2-89. AC VOLTAGE ON A DC LEVEL (V DC and V AC)

2-90. Use the following procedure when measuring ac and dc voltage:

1. The RMS AC Converter module must be installed.
2. Depress both V DC and V AC switches simultaneously.
3. The 8502A will go to autoranging; manual ranging can be selected if necessary. There are four available ranges: 1000V, 100V, 10V or 1V.
4. Select desired modifiers and memory operations.
5. Connect the unknown voltage to the HI and LO SENSE INPUT terminals. The reading displayed will be the rms value of the two voltages combined.

## 2-91. DC CURRENT (A DC)

2-92. Use the following procedure when measuring dc current:

1. The Current Shunts module must be installed.
2. Select the A DC function.
3. The 8502A will go to autoranging; manual ranging can also be utilized to select one of five available ranges (100 uA, 1 mA, 10 mA, 100 mA, or 1A).

4. Select desired modifiers and memory operations.

5. Connect dc current to HI and LO INPUT SOURCE terminals.

## 2-93. AC CURRENT (A AC)

2-94. Use the following procedure when measuring ac current:

1. The Current Shunts module must be installed.

2. Select the A AC function.
3. Follow steps 3-5 listed for DC Current measurements.

2-95. OHMS

2-96. Use the following procedure for resistance measurements:

1. The Ohms Converter module must be installed.
2. Select the OHMS function.
3. The 8502A will go to autoranging; manual ranging can be selected if necessary. There are eight resistance ranges available: 100M, 10M, 1M, 100K, 10K, 1K, 100 and 10 ohms.
4. If necessary, perform the ohms zero procedure described below (10 ohm range only).
5. Select desired modifiers and memory operations.
6. Connect the unknown resistance to the HI and LO INPUT terminals (see Section 6 for 2-wire and 4-wire connection methods).

2-97. OHMS ZERO

2-98. For ohms zeroing, use the following steps:

1. The Ohms Converter module must be installed.

2. Select the Ohms function.
3. Select the 10 ohms range.
4. Short input terminals as described in zeroing instructions.
5. Depress the STORE switch; “?” will appear in the display.
6. Depress the V DC/OHMS ZERO switch; the value of residual resistance will be displayed for as long as the switch is held depressed.
7. Release of the zero switch will activate the Ohms Zero mode.

**2-99. APPLICATIONS**

2-100. The applications presented in Table 2-3 presuppose an initial power on or reset instrument status, i.e.,

1. V DC function.
2. 1000V range.
3. Sample – 7.
4. Filter – F0.
5. No stored values (excepting the Calibration Memory).

**Table 2-3. Applications**

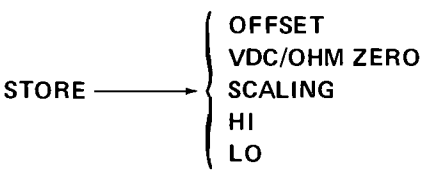
<b>STORING A DISPLAYED VALUE</b>	
STORE	
<b>APPLICATION 1</b>	
<b>REQUIREMENT:</b>	Monitor the stability of a power supply in terms of its deviation in volts from a present output of +5.03V.
<b>METHOD:</b>	<p>Store the present output as an offset. Press:</p> <p style="text-align: center;">STORE → OFFSET → OFFSET</p> <p>Initial use of OFFSET places the displayed value into memory (value will be viewed as long as switch is held depressed). The second use of OFFSET places the instrument in Offset mode. The display will now read only the deviation from +5.03V.</p>



Table 2-3. Applications (cont)

APPLICATION 2																															
REQUIREMENT:	Monitor the stability of a power supply as a decimal ratio to its present reading of -20.08V. DC zeroing appears to be necessary.																														
METHOD:	<p>Perform V DC Zeroing for internal drift. Apply low thermal short between INPUT HI and LO (at the terminals). Press:</p> <p>STORE → VDC/OHMS ZERO</p> <p>The value stored will be displayed as long as VDC/OHMS ZERO is held depressed. Release of the switch will activate the Zero mode. Revise terminal interconnections for dc volts measurements. Connect the dc voltage.</p> <p>Apply power supply reading of -20.08V as a scaling factor. Press:</p> <p>STORE → SCALING → SCALING</p> <p>Initial use of SCALING places the displayed value (which is seen as long as the switch is held depressed) into memory. The second use of SCALING places the 8502A into Scaling mode.</p> <p>Display will now yield the ratio of subsequent readings to the scaling factor, e.g., an input of 22.08V yields a ratio of:</p> $\frac{22.088}{20.08} = 1:1$																														
STORING A NUMERIC ENTRY																															
STORE → NUMERIC →	<table style="border-left: 1px solid black; border-right: 1px solid black; border-collapse: collapse;"> <tr> <td style="padding: 5px;">OFFSET</td> <td style="padding: 5px;"></td> <td style="padding: 5px;"></td> <td style="padding: 5px;"></td> <td style="padding: 5px;"></td> </tr> <tr> <td style="padding: 5px;">SCALING</td> <td style="padding: 5px;">→</td> <td style="padding: 5px;">(value: number)</td> <td style="padding: 5px;">→</td> <td style="padding: 5px;">ENTER</td> </tr> <tr> <td style="padding: 5px;">HI</td> <td style="padding: 5px;"></td> <td style="padding: 5px;"></td> <td style="padding: 5px;"></td> <td style="padding: 5px;"></td> </tr> <tr> <td style="padding: 5px;">LO</td> <td style="padding: 5px;"></td> <td style="padding: 5px;"></td> <td style="padding: 5px;"></td> <td style="padding: 5px;"></td> </tr> <tr> <td style="padding: 5px;">FILTER</td> <td style="padding: 5px;">→</td> <td style="padding: 5px;">(-, 0, 1, 2, 3)</td> <td style="padding: 5px;">→</td> <td style="padding: 5px;">ENTER</td> </tr> <tr> <td style="padding: 5px;">SAMPLE</td> <td style="padding: 5px;">→</td> <td style="padding: 5px;">(0 thru 17)</td> <td style="padding: 5px;">→</td> <td style="padding: 5px;">ENTER</td> </tr> </table>	OFFSET					SCALING	→	(value: number)	→	ENTER	HI					LO					FILTER	→	(-, 0, 1, 2, 3)	→	ENTER	SAMPLE	→	(0 thru 17)	→	ENTER
OFFSET																															
SCALING	→	(value: number)	→	ENTER																											
HI																															
LO																															
FILTER	→	(-, 0, 1, 2, 3)	→	ENTER																											
SAMPLE	→	(0 thru 17)	→	ENTER																											
APPLICATION 3																															
REQUIREMENT:	Determine which of a group of power supplies have a tolerance of 15V ± 100 mV.																														
METHOD:	<p>Set high and low limits. Press:</p> <p>STORE → NUMERIC → HI → 1 → 5 → . → 1 → ENTER</p> <p>STORE → NUMERIC → LO → 1 → 4 → . → 9 → ENTER</p> <p>Select LIMITS. The 8502A will now display "HI", "LO", or "PASS" for each power supply.</p>																														

Table 2-3. Applications (cont)

<b>APPLICATION 4</b>	
<b>REQUIREMENT:</b>	For a group of 20V power supplies, determine the deviation in volts.
<b>METHOD:</b>	<p>Offset the displayed reading by 20. Press:</p> <p>STORE → NUMERIC → OFFSET → 2 → 0 → ENTER</p> <p>Select OFFSET. Any value displayed now will equal the deviation from 20V.</p>
<b>APPLICATION 5</b>	
<b>REQUIREMENT:</b>	Display the input error voltage for an operational amplifier by measuring the dc output error. Gain = $2.6847 \times 10^4$ .
<b>METHOD:</b>	<p>Divide the measured dc output error by a scaling factor (the op amp gain). Press:</p> <p>STORE → NUMERIC → SCALING → 2 → . → 6 → 8 → 4</p> <p>7 → EXP → 4 → ENTER</p> <p>Select SCALING. The 8502A will now divide the measured input by the gain of the op amp and display the input error voltage.</p>
<b>APPLICATION 6</b>	
<b>REQUIREMENT:</b>	Make a series of measurements in a noisy environment. Speed of measurement is not important. Display only the deviation in volts.
<b>METHOD:</b>	<p>Allow for extra settling between readings. Press:</p> <p>STORE → NUMERIC → FILTER → 3 → ENTER</p> <p>Increase digital filtering (average more samples per reading). Press:</p> <p>STORE → NUMERIC → SAMPLE → 9 → ENTER</p> <p>Offset by the nominal output (e.g., 15V). Press:</p> <p>STORE → NUMERIC → OFFSET → 1 → 5 → ENTER</p> <p>Select OFFSET</p>

Table 2-3. Applications (cont)

RECALLING	
RECALL →	<div style="display: flex; align-items: center;"> <div style="font-size: 3em; margin-right: 10px;">{</div> <div style="text-align: left;">           OFFSET            VDC/OHMS ZERO            EXT REF            SAMPLE RATE            SCALING            FILTER            PEAK            HI }            LO }         </div> <div style="margin-left: 10px;">→</div> <div style="font-size: 3em; margin-left: 10px;">{</div> <div style="text-align: left; margin-left: 5px;">           PEAK            LIMIT         </div> <div style="font-size: 3em; margin-left: 10px;">}</div> </div>
APPLICATION 7	
<b>REQUIREMENT:</b>	Determine the highest and lowest readings encountered in measuring a group of 28V power supplies.
<b>METHOD:</b>	<p>Press PEAK to record measurement extremes. When required measurements are complete, use the following sequence to recall high and low values. Press:</p> <p style="text-align: center;">RECALL → LO → PEAK</p> <p style="text-align: center;">RECALL → HI → PEAK</p> <p style="text-align: center;">(Hold PEAK in to read the recorded values.)</p>

## Section 3

# Theory of Operation

### 3-1. INTRODUCTION

3-2. This section of the manual describes the theory of operation for the 8502A mainframe, which includes the modules necessary for DC Volts and DC Ratio measurements. Block Diagram descriptions give an overview of the operation of the modules and an explanation of the bus structure. Circuit Analyses give a more detailed description of the circuitry. Optional modules are described in Sect. 6.

### 3-3. BLOCK DIAGRAM DESCRIPTION

### 3-4. Bus Structure

3-5. The 8502A is constructed with a bus architecture similar to a computer. Figure 3-1 is an overall block diagram of the instrument with optional modules drawn in dashed lines. Figure 3-2 is a block diagram illustrating signal flow. A microprocessor-based controller module controls information flow on the three buses. The controller sets up

each of the analog modules for a measurement by addressing the modules as memory locations. An unguarded digital interbus is used to connect the controller to the front panel and to digital option modules such as the calibration memory and a remote I/O (input/output) interface.

3-6. The unguarded digital bus consists of the following lines:

1. Address/Control (IC) lines –7.
2. Bidirectional data (ID) lines –8.
3. Real time (RT) lines –7.
4. Handshake lines (INT–interrupt, ACK–acknowledge, INA–interrupt acknowledge).
5. Power Supply lines.

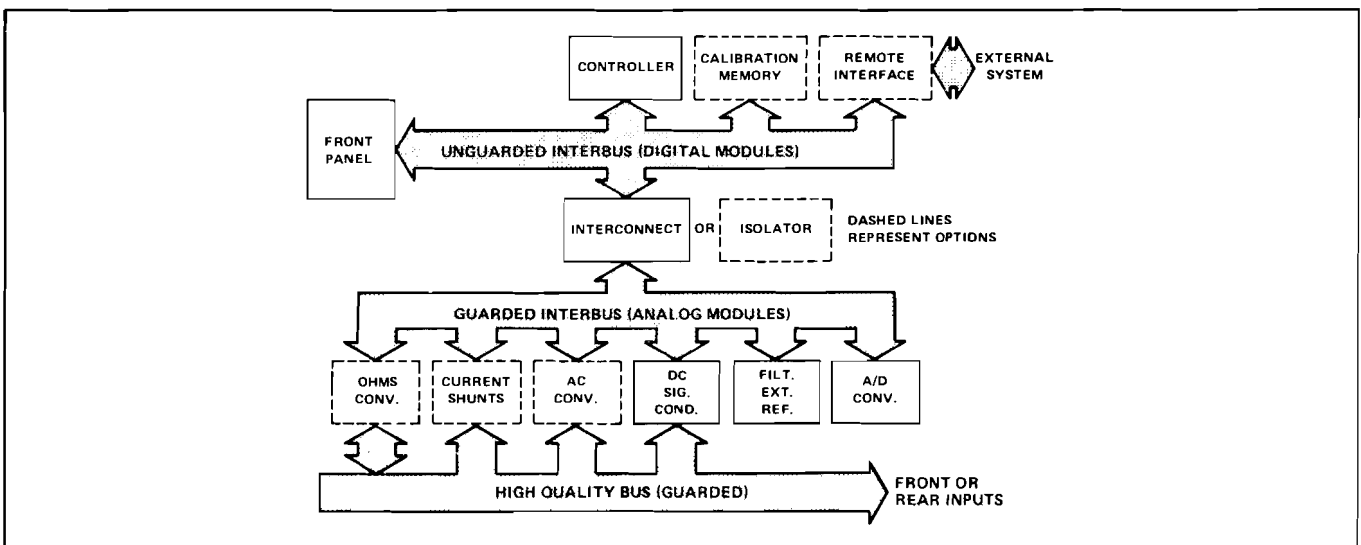


Figure 3-1. 8502A Block Diagram

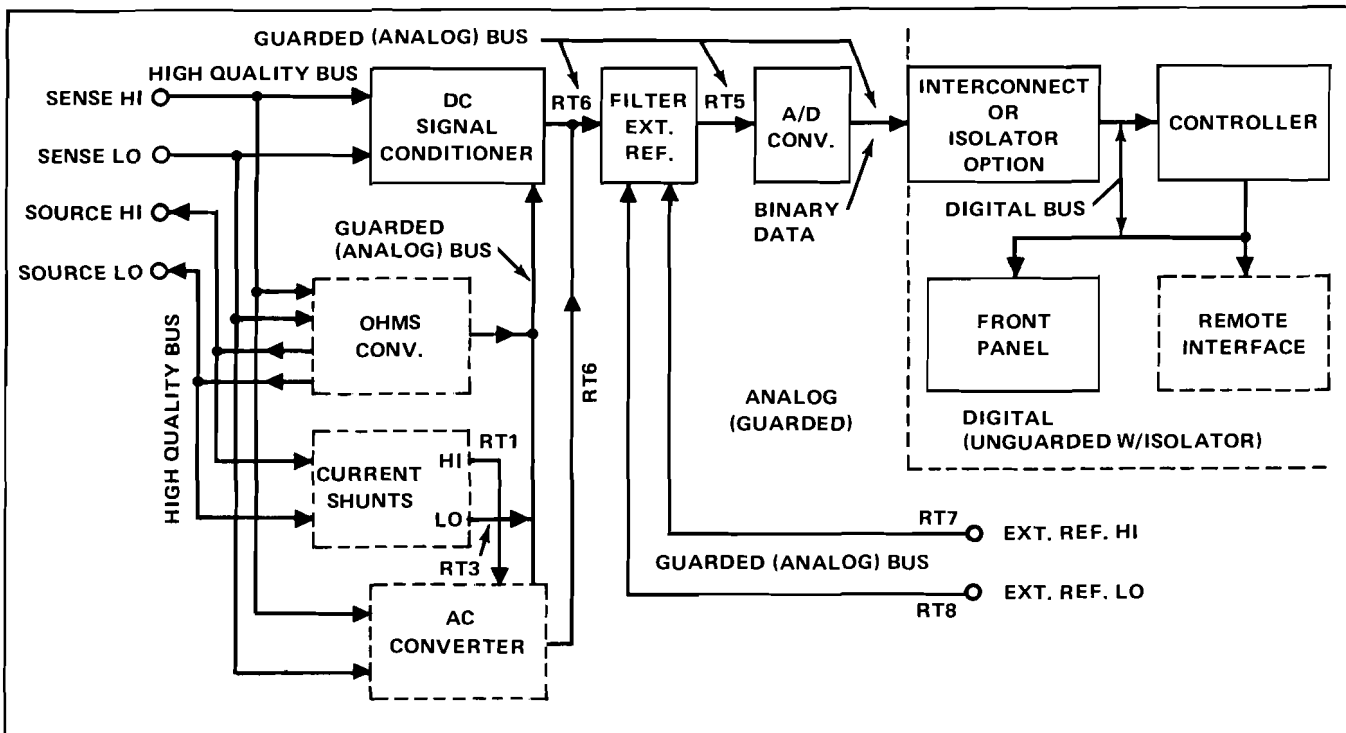


Figure 3-2. 8502A Analog Signal Flow

3-7. The guarded bus connects the controller to the analog modules through the Bus Interconnect Board or through the optional Isolator module; the Isolator must replace the Interconnect Board if an optional remote interface is installed. The guarded bus consists of the following lines:

1. Address/Control (IC) lines –7.
2. Bidirectional data (ID) lines –8.
3. Real time lines –9.
4. Handshake line (ACK) –1.
5. Power Supply lines.

3-8. The address, handshake, and data lines of the two buses serve the same functions. The real time and power supply lines may have differing functions. For example, the RT lines in the unguarded bus are unused except for RT5 (frequency reference). The RT lines in the guarded bus form an analog bus which carries all the conditioned and converted analog signals between the analog modules. The external reference input lines are part of the analog bus (RT7 and RT8). Logic supply lines (Vcc and Vss) will be different in the two busses if an isolator option is installed. In the guarded bus, Vcc and Vss are always –15V and –20V with respect to analog common. In the unguarded bus with an interconnect pcb installed Vcc and Vss are diode coupled to the guarded bus. But with the isolator option installed, Vcc and Vss are isolated from analog common.

3-9. The high quality bus consists of lines connecting the input switch (Sense HI and LO, source HI and LO, Guard, Ohms Guard) to the signal conditioning and converting modules (AC converters, Ohms converter, etc.). Ohms guard is only available through the rear inputs.

### 3-10. Controller

3-11. Under the direction of the software program, the controller addresses and sets up each of the modules necessary to perform a function. Two types of addresses are used: direct and indirect. An indirect address requires a previous direct address to set up the indirect address response logic. Data transfers are accomplished with a handshake between the address (IC) lines and the acknowledge (ACK) line. When the controller addresses a module, it places data on the data (ID) lines or receives data from the addressed module. The addressed module must respond with an ACK signal signifying that it is receiving or sending data.

3-12. The controller directs the R<sup>2</sup> A/D converter in taking a sample and receives the sample data from the converter. The controller stores range and function information for application to the sample data. Using the arithmetic capability of the microprocessor, the software processes the data to arrive at a binary 2's complement number which represents the polarity and value of the measurement. This number is made available to an optional remote interface either as is or after further processing to ASCII code. The number is further processed by the controller for application to the front panel display in a seven segment LED format.

3-13. The software program consists of two parallel processes. A background process (Figure 3-3) is responsible for interrupt driven activities such as updating the display digits and directing the A/D converter in taking a sample. The foreground process (Figure 3-4) is responsible for the measurement cycle including accumulating data from the background process and performing required calculations.

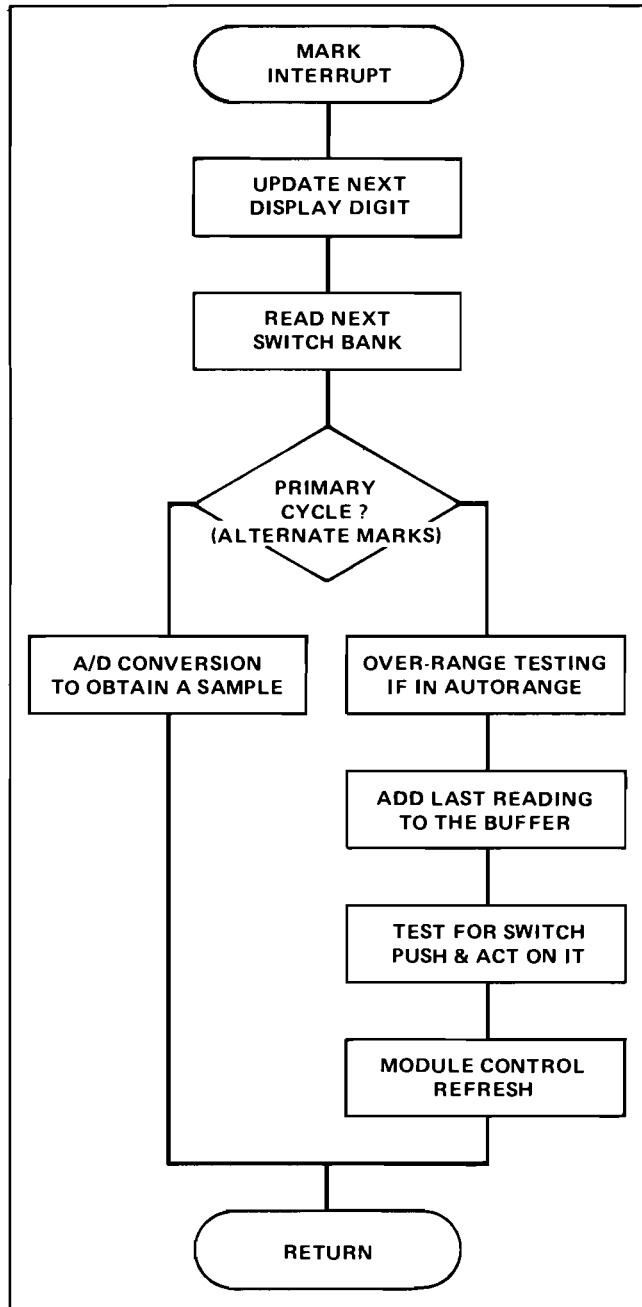


Figure 3-3. Background Software Process

3-14. The controller is structured around the Intel 8080 microprocessor. Figure 3-5 is a block diagram of the controller module. Hardware control functions have been minimized by careful software design. Sequences of events are timed from two sources. Basic operations of the microprocessor are run from a 1.7 MHz clock. The other source is

generated by shaped line frequency pulses, which are applied to a phase-locked loop. The phase-locked loop multiplies the line frequency by eight. This signal is used to generate mark interrupts which time the background process.

3-15. Software for the 8502A is stored in five ROM's. These read only memories are mounted on a "piggy-back" board, which is connected to the main controller pcb at the socket for U25. Four RAMs (random access memory) are used for temporary storage of data by the microprocessor. Data lines (DB0-DB7) are used for bidirectional data flow. Address lines (A0-A15) determine the source or storage location of data. Since other modules of the 8502A system are addressed as memory locations, address and data I/O controls are used for access to the external bus structure.

3-16. Interrupts are used to divert the microprocessor from the main program to service other routines. Interrupts are synchronized to an appropriate time in the microprocessor cycle through interrupt control, where assigned priorities vector module identity data onto the data bus. Module identity data words direct the microprocessor to the memory location containing the next instruction. Two interrupts are internally generated: ACK INT and MARK INT (priorities one and six respectively). ACK INT is generated when an acknowledge signal is not returned. MARK INT is used to synchronize A/D samples and display digit updates to the line frequency.

3-17. An interrupt may be externally requested by pulling the INT line low. When the microprocessor is ready to accept the interrupt, the interrupt acknowledge (INA) signal is generated. The requesting module must respond with an ACK and a data bit (on ID1-ID4) which is used as a priority vector by INT CONTROL.

3-18. Two types of resets may occur: software and hardware. Software resets are a result of front panel or remote requests. Hardware resets occur at power up or power down. Line frequency pulses from RT5 are sensed by the reset logic. At power up the reset signal assures that the microprocessor will start from program location zero. At power down the reset signal assures that the controller will not call up wrong modules.

3-19. The microprocessor control logic is responsible for latching up a status word at the beginning of each instruction cycle and for telling the microprocessor when to enter and exit wait states. Microprocessor sequences are divided into machine states (one clock period, 588 nsec), machine cycles (from three to five states) and instruction cycles (from one to five machine cycles). Status words are used to control and synchronize data I/O, memory read/write, and some of the interrupt control signals. The microprocessor must be instructed to enter a wait state after addressing an external module and after being interrupted to allow the external module time to respond.

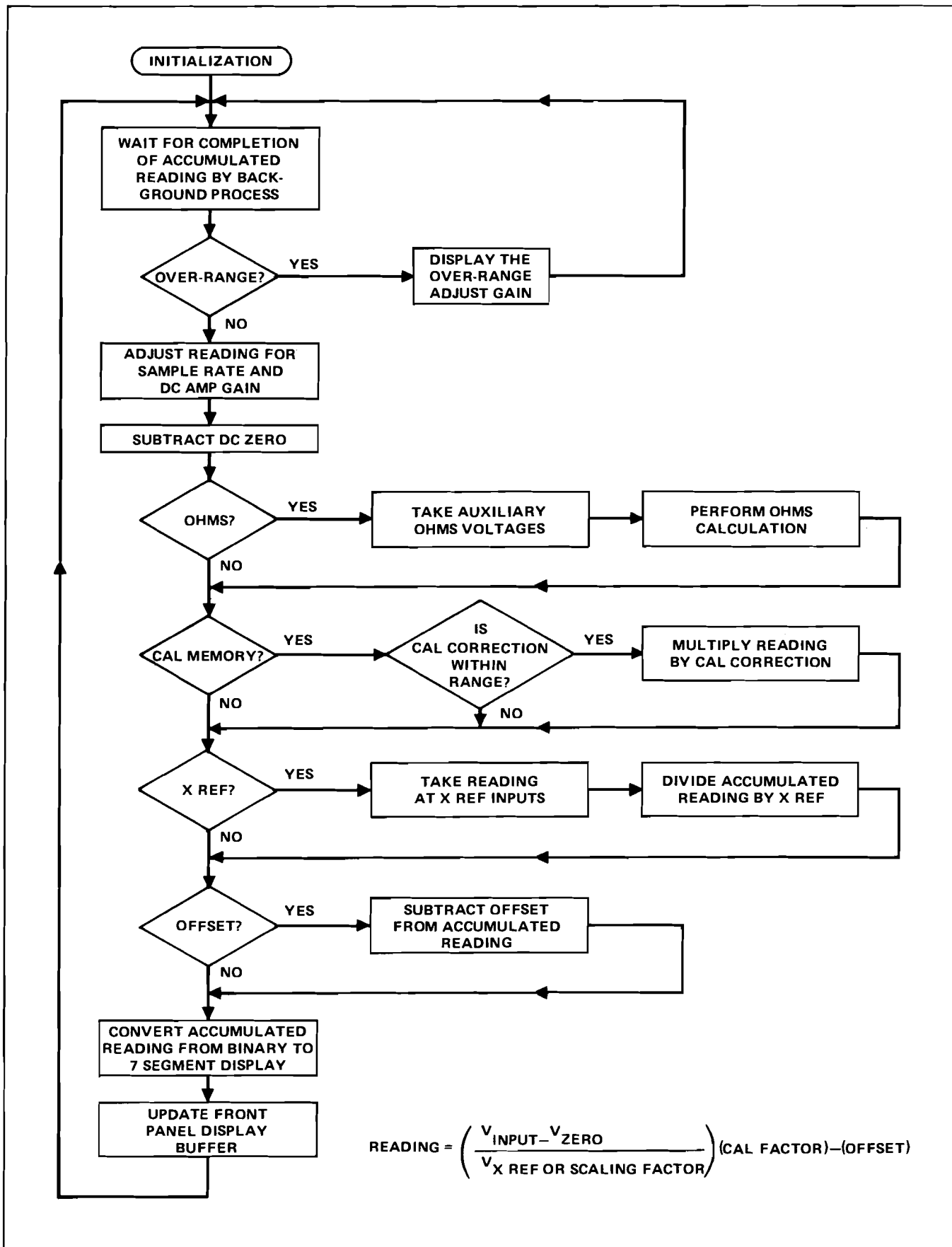


Figure 3-4. Foreground Software Process

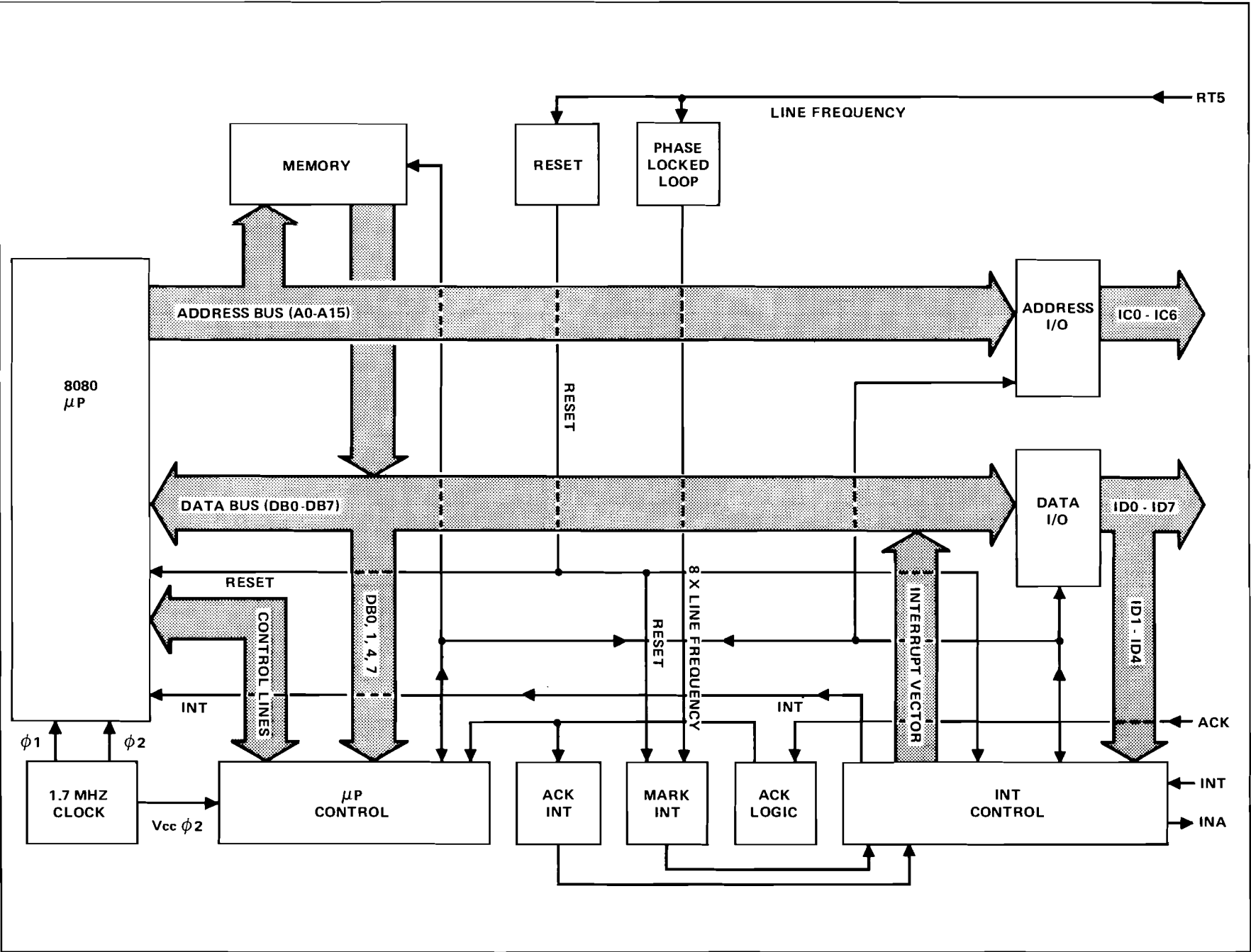


Figure 3-5. Controller Block Diagram



**3-20. Front Panel**

3-21. The front panel serves as an interface between the operator and the 8502A controller. The display is multiplexed by the controller by means of addressing the front panel for each digit. One direct address, two indirect addresses, and the accompanying data determine which digit or annunciator and which segments will light. An indirect address requires a previous, valid direct address to set up the indirect response. Another direct address enables the switch matrix to be read to determine if any function changes are desired. The cycle of updating each digit and annunciator and reading the switch matrix requires approximately 28 msec and is a continual cycle. Input terminals, J1-J5, are physically located on the front panel but have no electrical interaction with the front panel.

**3-22. DC Signal Conditioner**

3-23. DC signals from either the input terminals or optional signal conditioners (Ohms or Current Shunts) are

routed through the DC Signal Conditioner to be brought within the range of the A/D Converter ( $\pm 20V$ ). Figure 3-6 is a block diagram of the DC Signal Conditioner. For ease in arithmetic manipulations in the microprocessor, all gains and attenuations in the 8502A are powers of eight. Gain or attenuation factors are selected by the microprocessor addressing the module. Data from the data bus is latched into the control circuitry and used to select relays in the attenuator and switches in the amplifier feedback circuit. The combination of the attenuator and feedback-controlled amplifier give gain or attenuation factors of one, eight, or sixty-four.

**3-24. Active Filter**

3-25. The purpose of the Active Filter module is to multiplex dc signals to the A/D Converter and to switch analog filters into the signal conditioner inputs. Figure 3-7 is a block diagram of the Filter/External Reference module. Five filter modes may be selected from the front panel. For

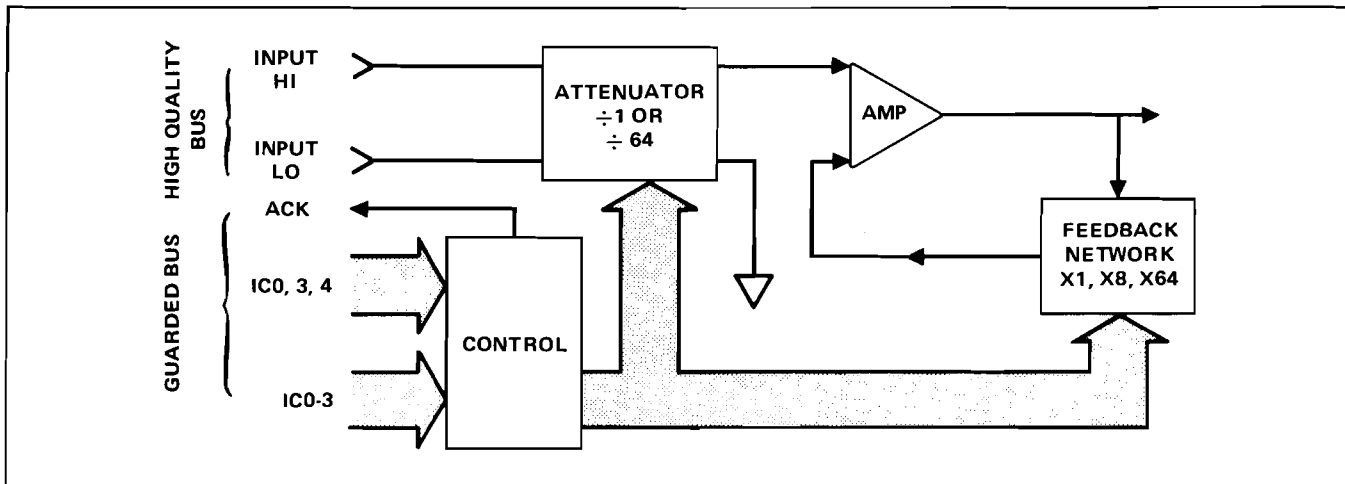


Figure 3-6. DC Signal Conditioner Block Diagram

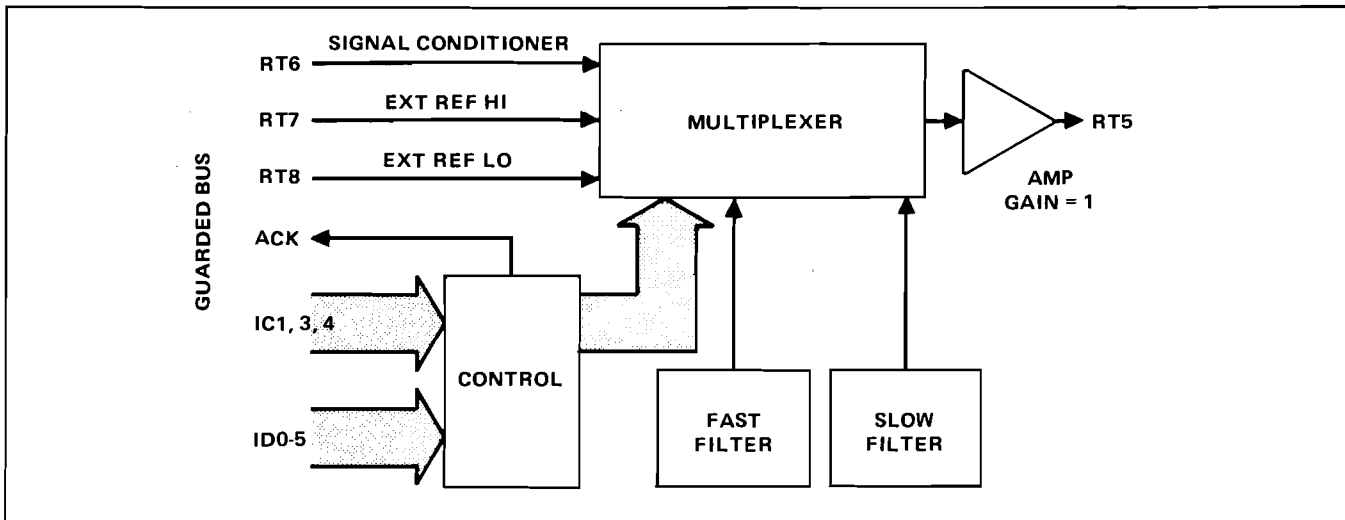


Figure 3-7. Active Filter Block Diagram

external reference measurements, the signal conditioner input, the External Reference HI input and the External Reference LO input are multiplexed to the A/D Converter. Samples are taken of each input and arithmetically manipulated by the Controller to arrive at a reading. Outputs from the optional AC converter modules are applied to the Active Filter module, bypassing the DC Signal Conditioner.

**3-26. Fast R<sup>2</sup> A/D Converter**

3-27. The Fast R<sup>2</sup> A/D Converter employs Fluke's patented recirculating remainder (R<sup>2</sup>) technique for converting a dc input signal into a binary, bit-serial data stream. The R<sup>2</sup> technique has been modified for microprocessor control. Obtaining a sample is a five-step process. Each step consists of a decision period of five decisions and a subtraction period. Set-up of the converter, decisions, and reset are initialized by the Controller addressing the A/D Converter. Figure 3-8 is a block diagram of the R<sup>2</sup> A/D Converter.

3-28. During the first step, the input signal is applied to the Summing Node. The polarity of the input is detected and the resulting bit of information is transmitted to the Controller. On the basis of the returned polarity, the A/D module selects which reference polarity is required: positive for negative inputs, negative for positive inputs. The first of five precision currents is switched into the Summing Node and a polarity bit returned. If the polarity is changed,

the first current is switched off. If not, it is left on. Then the next current is switched into the Summing Node and another polarity bit returned. Another decision is made and so on until all five currents have been switched into the Summing Node and five decisions have been made. This completes the first decision period. The five precision currents are related by powers of two. The fifth current has a resolution of thirty-two.

3-29. Following the decision period is a subtraction period. Feedback through the Remainder Storage nulls whatever remainder was left after the five currents have been switched into the summing node. The remainder is amplified by 16 in the Remainder Amp and is stored on a capacitor in Remainder Storage. This completes the first step. The input is now switched out of the Summing Node and the amplified remainder switched in for the next step. There are two remainder channels in Remainder Storage and they are alternated in the four subsequent steps. Since the fifth current has a resolution of thirty-two and the Remainder Amp has a gain of 16, the first bit of a step has the same significance as the last bit of the previous step.

3-30. Of the five steps required to complete a sample, the first uses the input signal for decision and subtraction periods. The four subsequent steps alternate remainder channels to use the amplified remainder of the preceding step for decision and subtraction periods. Polarity bits

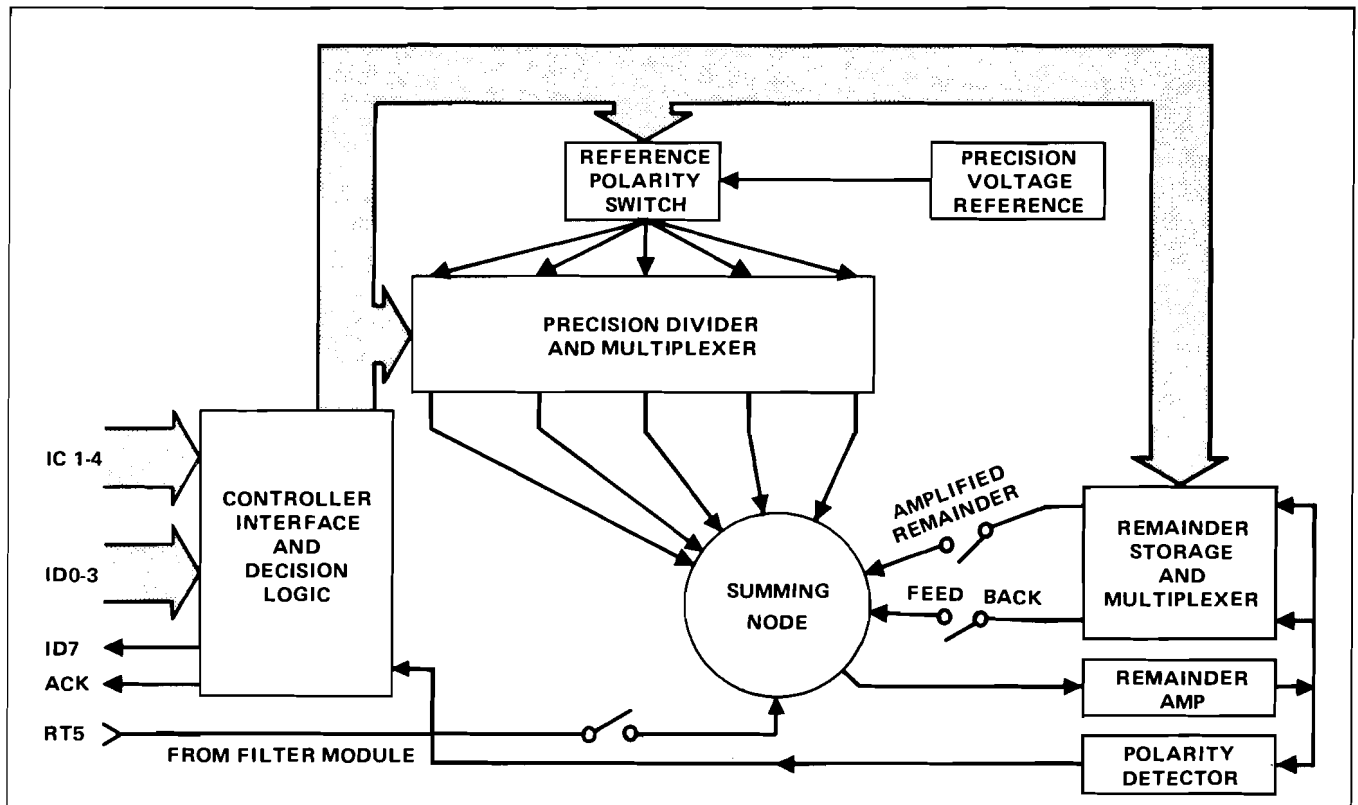


Figure 3-8. R<sup>2</sup> A/D Converter Block Diagram

returned at each decision are accumulated by the Controller and assembled into a 24-bit word describing the polarity and magnitude of the input.

### 3-31. CIRCUIT ANALYSIS

#### 3-32. Introduction

3-33. Detailed circuit descriptions for each module in the standard 8502A mainframe will be presented in the following paragraphs. Optional modules are covered in Section 6. Block Diagram Description should be read first to get an understanding of the overall functioning of the instrument. Simplified schematic diagrams are located in Section 8 (Section 6 for optional modules). Table 3-1 is a list of mnemonic definitions used in the Controller schematic.

#### 3-34. Controller

#### 3-35. TIMING

3-36. The 8080 microprocessor requires two 12V clock inputs whose phase relationship must fall within certain limits (Figure 3-9). The period of the  $\phi 1$  clock (588 nsec) governs the duration of a machine state (3 to 5 states required for a machine cycle, 1 to 5 machine cycles required for an instruction cycle). A 1.7 MHz crystal oscillator is RC coupled through buffers and gates to provide the two-phase clock signal. R1 controls the positioning of the  $\phi 1$  clock pulse (with respect to time) during the  $\phi 2$  pulse. The  $\phi 2$  clock pulse is inverted and translated to 5 volt TTL levels for other timing functions in the control circuitry.

3-37. Shaped line pulses are applied to a phase-locked loop (U26) which runs at 8 times the line frequency 480 Hz for 60 Hz line, 400 Hz for 50 Hz line). The output of U26 is divided by 8 (U34) and applied to a phase comparator (U26). Line synchronization is achieved using the output of the phase-locked loop to time the internal interrupt, MARK INT.

#### 3-38. ADDRESS and DATA BUSES

3-39. Sixteen address lines are used for addressing memory locations and external modules. Refer to the Controller schematic in Section 8. Internal scratch pad memory locations use A0-A7, with A8, 9, 11, 12, 13 decoded as a RAM chip select. Internal ROM locations use A0-A10, A11, 12, 13 decoded as a ROM chip select. ROM/RAM select uses A14 for RAM (high for RAM). External addresses use A8-A14 with A15 used as external/internal select (high for external). These address lines are inverted when driving the IC lines on the Interbus. The data bus is eight lines (DB0-7) connected directly to memory and to the external data bus (ID0-7) through tristate I/O buffers.

**Table 3-1. Mnemonic Definitions**

ACK	— acknowledge
ACK LAT	— acknowledge late
AR	— analog return
DB	— data bus
DBIN	— data bus input signal (from $\mu P$ )
DLD ACK	— delayed ACK
EN INT	— enable interrupt
HLDA	— hold acknowledge
IB ADX	— interbus address
IBIN	— interbus input signal
IC	— interbus control
ID	— interbus data
IINT	— internal interrupt
INA	— interrupt acknowledge (from controller)
INT	— interrupt
INTA	— Interrupt acknowledge (status word from $\mu P$ )
INTE	— interrupt enable (from $\mu P$ )
MEM RD	— memory read
MS ADDR BYTE	— memory select address byte
$\phi 1$	— clock pulse
$\phi 2$	— clock pulse
$\phi LL$	— phase-locked loop
RAM	— random access memory
ROM	— read only memory
RRDY	— reset ready
RST	— reset
RT	— real time
R/ $\bar{W}$	— read/ $\bar{write}$
$\mu P$	— microprocessor
VA	— analog supply voltage
$V_{CC} \phi 2$	— 5V clock pulse
$V_{DD} \phi 2$	— 12V clock pulse
SRDY	— set ready
SYN IINT	— synchronized internal interrupt
TTL PU	— TTL pull-up
WO	— write out
WR	— write

#### 3-40. RESET

3-41. Shaped line frequency pulses are applied to U36 and U34 to provide a reset on power up or power down (Figure 3-10). U36 is a retriggerable one-shot multivibrator which is cleared on power up by Delayed Vcc. Clearing U36 sets U35 to the Reset condition. After the clear on U36 is

removed (Delayed Vcc high), U34 clocks U35 out of the reset condition on the eighth line pulse. At power down, U36 changes state at a time determined by R18 and C22, setting U35 to the reset state.

3-42. STATUS LATCH

3-43. During the first state of every machine cycle, the microprocessor sends a status word out on the data bus. This is at the same time and duration as the SYNC output. SYNC  $\phi_2$  clocks the status word into a hex "D" latch, U18. Outputs from U18 (Figure 3-11) are used in various portions of the control circuitry.

3-44. WAIT LOGIC

3-45. When the microprocessor addresses an external module (A15 high) or is interrupted, the WAIT logic causes the microprocessor to enter a wait state by pulling the ready

(RDY) line low (Figure 3-12). Set Ready (SRDY), normally high, is pulled low to exit the wait state. Reset ready (RRDY), normally low, goes high to enter the wait state. For an external address, A15 TTL is high; therefore RRDY will go high at SYNC TTL (derived from the microprocessor). For interrupts, the interrupt enable (INTE) signal is inverted for application to U8. INTE enables INT and is removed before INT falls low (due to an RC delay in the INT CONTROL circuit) so the INT and INTE are high long enough to clock U1 for a wait signal.

3-46. Three possible combinations will cause the microprocessor to exit a wait state. If an ACK signal is missing, ACK INT TTL will pull SRDY low. For external addresses, and external interrupts, A15 + INTA and ACK LAT will pull SRDY low. For internal interrupts SYN IINT and INTA

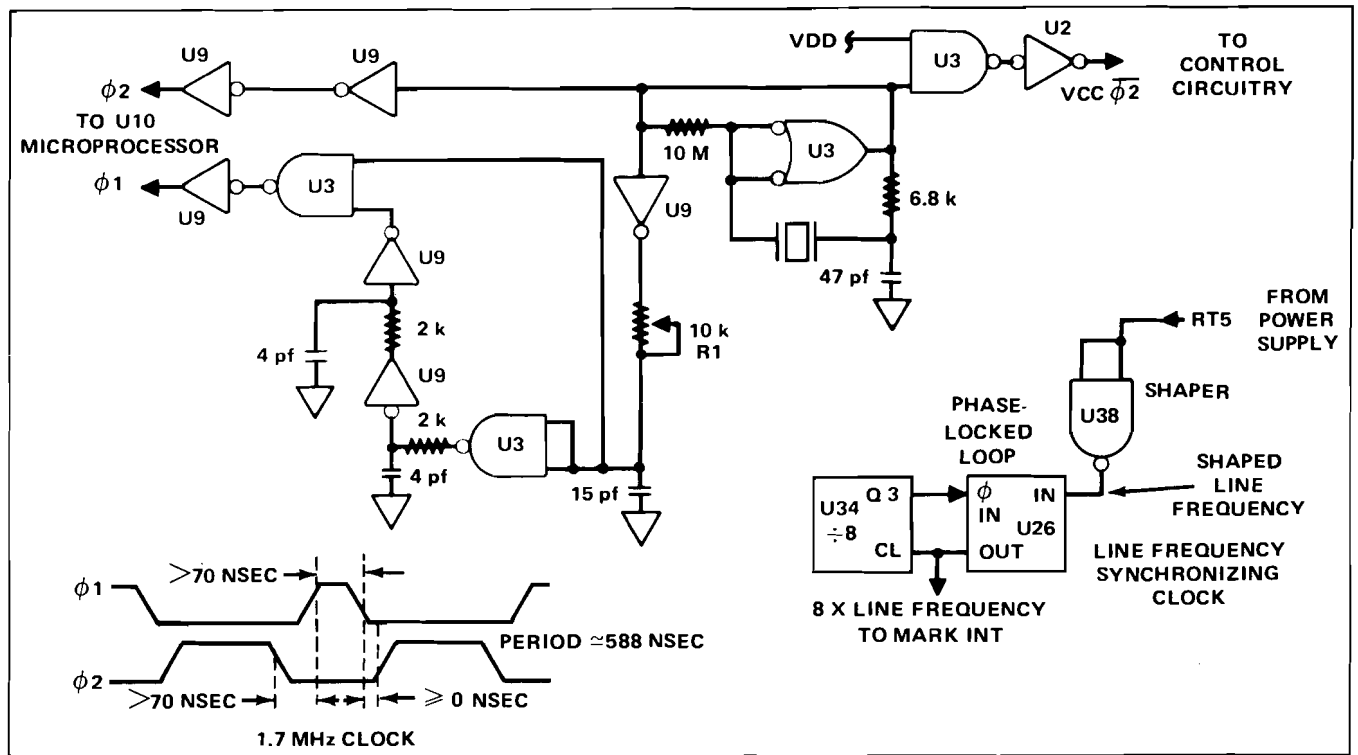


Figure 3-9. Timing Circuits

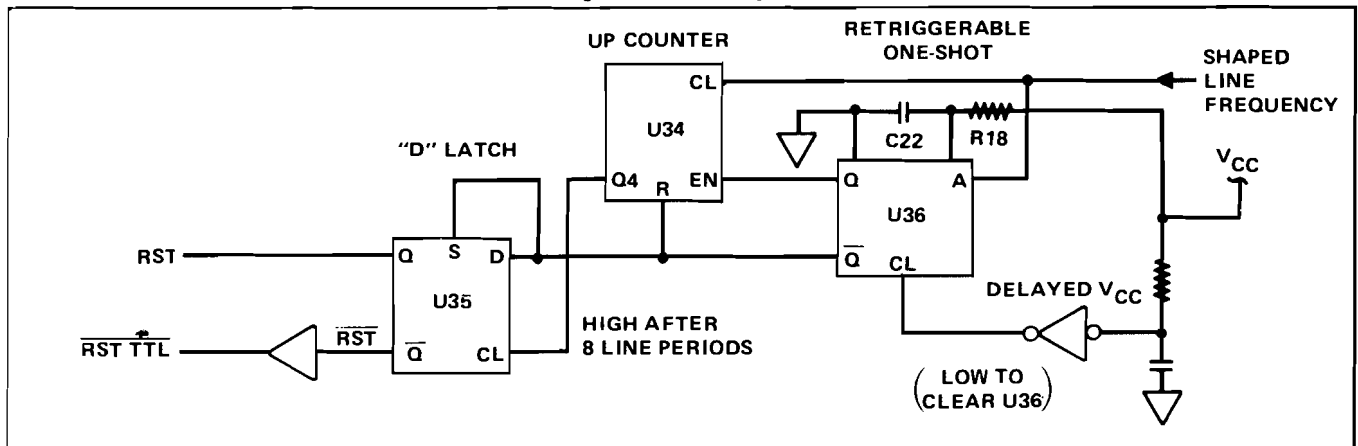


Figure 3-10. Reset Logic

remove the wait state limiting the wait time to a single machine state.

3-47. ACK LOGIC

3-48. When a module is addressed by the Controller, or enabled for interrupt identification by INA from the Controller, it must return an ACK (high) signal. Refer to Figure 3-13. Either INTA (for interrupts) or A15 (for external addresses) together with the delayed ACK signal produce DLD ACK for U38, DLD ACK resets the ACK interrupt logic, which is timing the wait for ACK, and produces the ACK LAT signal through U15 and U27. RRDY must be low to get ACK LAT. This synchronizes ACK LAT to the SYNC TTL signal. ACK LAT (or ACK INT TTL if an ACK is missing) causes the microprocessor to exit the wait state.

3-49. INTERRUPTS

3-50. Two internal interrupts and four possible external interrupts are applied to the interrupt (INT) control logic (Figure 3-13). A low on OR gate U17 places a high on NAND gate U38. When INTE is high from the microprocessor (during the last state of an instruction cycle), U38 outputs a low through an RC delay network to U32. U32 inverts the signal and places a high on the INT line to interrupt the microprocessor. The microprocessor drops INTE low, then puts out an interrupt acknowledge (INTA) as a status word which is latched up in the Status Latch, U18. Then the microprocessor enters a wait state until the interrupt and its priority are identified through INT VECTOR, U28 (Controller schematic, Section 8).

3-51. Internal interrupts are ACK INT and MARK INT (Figure 3-14). ACK INT logic consists of a retriggerable

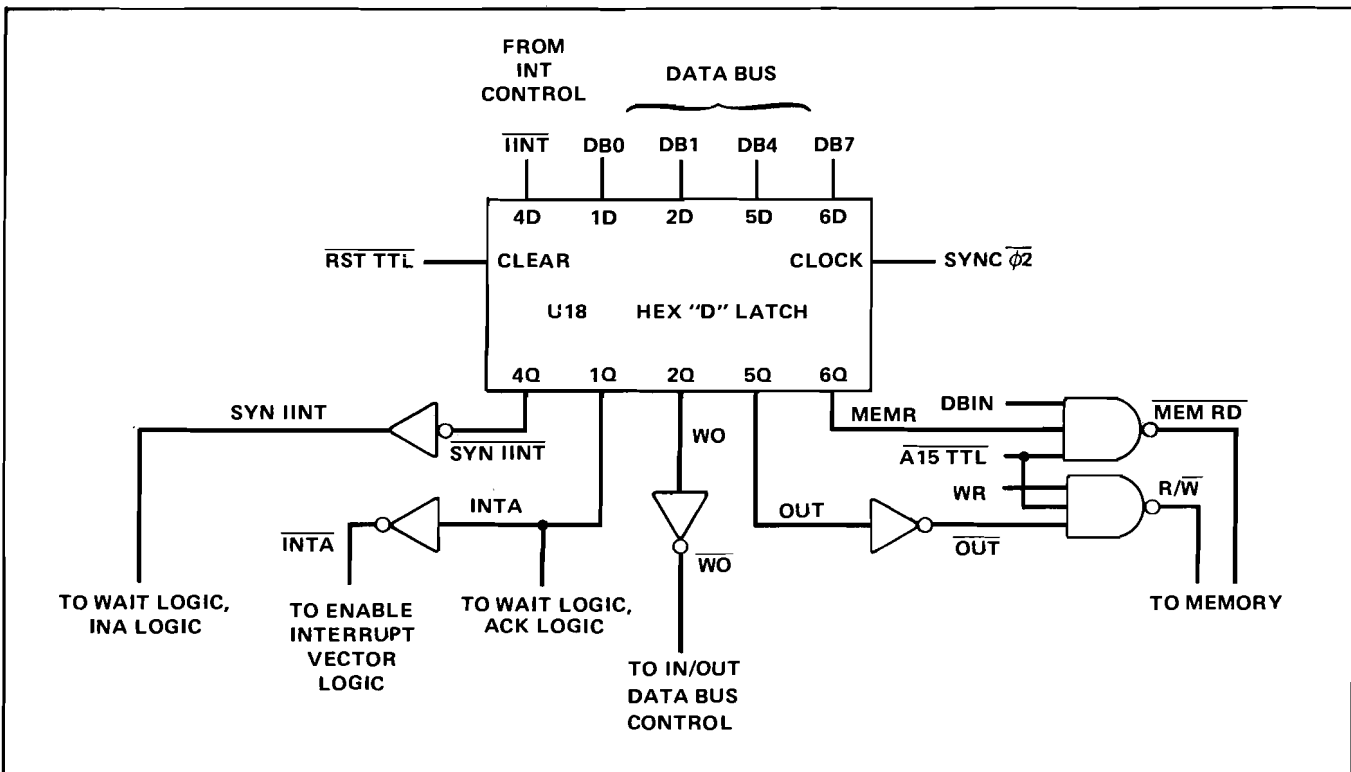


Figure 3-11. Status Latch

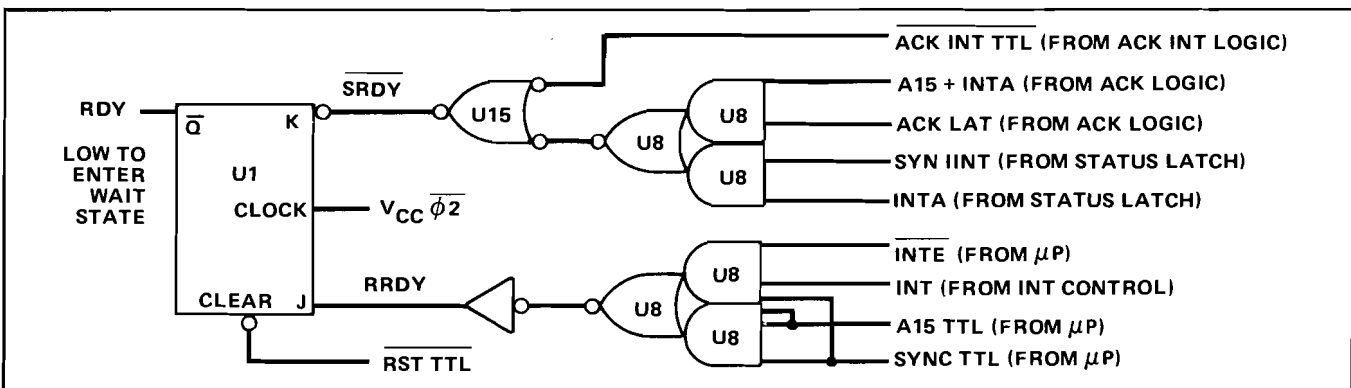


Figure 3-12. Wait Logic

monostable multivibrator, U36, and a "D" type flip-flop, U14. U36 is triggered by A15 TTL and SYNC  $\phi_2$ . If DLD ACK does not occur within the time constant of U36, U36 will clock U14 to generate ACK INT. ACK INT TTL is also generated by U14 to end the wait state resulting from the external address.

3-52. The MARK INT logic is armed by an internal address keyed to RAM. A15 TTL is high indicating an internal address. DB4 is high as part of the status word indicating an address to an output device. A15 TTL and DB4 (both high) with SYNC  $\phi_2$  clock U1 through U31-12.  $A_{14}$  is low for a RAM address so U1-7 is clocked high. Although the address which arms the mark is keyed to RAM, no data transfer takes place between the microprocessor and RAM. The write signal ( $R/W$ ) is disabled by OUT from the STATUS LATCH. MEM RD (memory read) is disabled by DBIN (from the microprocessor) and MEMR

(from the STATUS LATCH) both being low. After ARM MARK (U1-7) is clocked high, the next pulse from the phase-locked loop timing circuit clocks U14 to generate the MARK INT signal.

3-53. Interrupts are prioritized through INT VECTOR (refer to Controller schematic, Section 8). Before entering a wait state after an interrupt, the microprocessor puts out a DBIN signal, signifying that it is ready to receive data. DBIN and INTA produce EN INT through U37 to enable the Interrupt Vector (U28). Internal interrupts are applied directly to U28 and have priorities of one (highest) for ACK INT and six (lowest) for MARK INT. For an internal interrupt,  $\overline{IINT}$  is generated by one section of U38 (Figure 3-13) and, when latched into the Status Latch (U18), is used to end the wait state. For an external interrupt, SYN IINT is low and with  $\overline{EN INT}$  low, INA is generated on the interbus. The interrupting module must respond with an

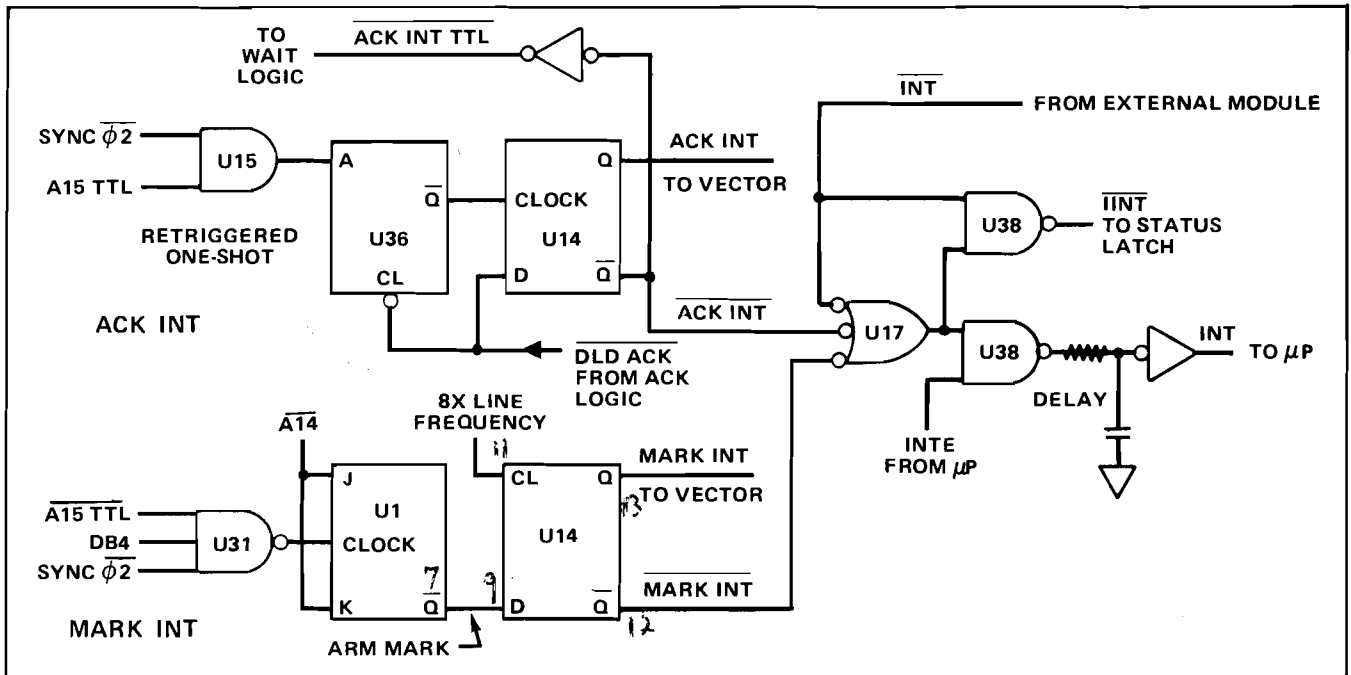


Figure 3-13. Internal Interrupts and INT Control

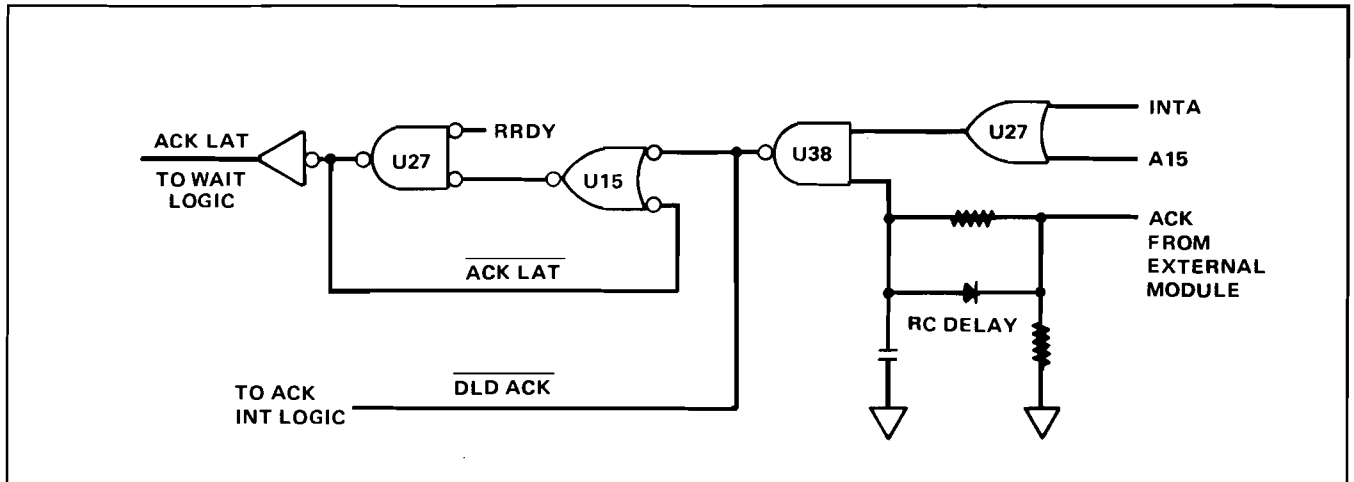


Figure 3-14. ACK Logic

ACK and a data bit on ID1-4. The returned ACK ends the wait state and the data bit is applied to INT VECTOR, U28. The complement of the output from U28 is placed on the data bus to instruct the microprocessor where to go for the next instruction.

### 3-54. Front Panel

3-55. Annunciator segment data is clocked into register one by the direct address, IC0, 1, 5 high. Refer to Figure 3-15. Data output from the switch matrix is also a direct address—IC0, 1, 6 high. For either direct address, the condition of ID7 (high for disable) is latched into U23 to enable an indirect address. Digit segment address—IC1, 5 high, and digit-annunciator select address—IC0, 5 are both indirect addresses. Data is clocked into the registers upon termination of the address. An update sequence is as follows:

1. Register one is addressed with all data lines low to blank the annunciator display and enable indirect addressing.
2. Register two is addressed indirectly with data lines low to blank the digit display.
3. Register three is addressed indirectly with all data lines high to turn off all LEDs, disable the switch matrix, and disable indirect addressing.
4. Register one is addressed with ID7 low to enable indirect addressing and with annunciator segment data on ID0-6. The data is latched and applied to the annunciator LEDs.
5. Register two is addressed with digit segment data on ID0-7 (U23 is not clocked by this address so ID7 may be high without disabling indirect addressing). The data is latched and applied to the digit LEDs.
6. Register three is addressed with ID7 high (disable indirect addressing) and one of the data lines, ID0-6, low to enable one digit LED and one annunciator LED. One bank of the switch matrix is also enabled.
7. The output buffer is addressed enabling the data from the previously enabled switch bank to be placed on the data bus. One or more lines low indicates a change is desired. This address also keeps the kill circuit charged.

3-56. The seven steps just outlined are required for one digit-annunciator-switch bank update. The process is repeated seven times for a complete update. The kill circuit is used to blank the display if the Controller discontinues addressing the front panel. Otherwise, segments would be left on continuously and would soon burn out.

### 3-57. DC Signal Conditioner

3-58. Relays K1 and K2 control the input to the DC Signal Conditioner and the attenuation of the input (Figure

3-16). If both relays are energized, the input is from the Volt/ $\Omega$  input terminals with  $\div 64$  attenuation. If just K1 is energized, the input is from the Volt/ $\Omega$  input terminals with no attenuation. If just K2 is energized, the input is from RT1 (optional signal conditioners). Q10, Q11, CR3, and CR4 provide overvoltage protection.

3-59. A differential amplifier (Q18, Q19) drives U3. FET switches (Q14, Q15, Q16) control the gain of Q18, and Q37. An output voltage swing of  $\pm 20V$  is achieved through bootstrapping; U4 provides a bootstrap for Q38 and Q37, and U5 and U6 provide a bootstrap for U3 and U4. Current sink and source for Q18 and Q19 are provided by Q38 and Q37 respectively.

3-60. The DC Signal Conditioner is addressed by IC0, 3, 4 high. Data on ID0-3 is latched up and decoded to determine which switches and relays will be energized. Figure 3-16 includes an example of the relay driver used to minimize thermal changes in the relays between the on and off states. RC coupling between the decoder and the relay driver provide voltage swings up to 4V or down to 0V to ensure positive relay action. Steady state voltages of 1.45V (off) and 2.75V (on) minimize current differences between the on and off states while maintaining the relay state under all conditions.

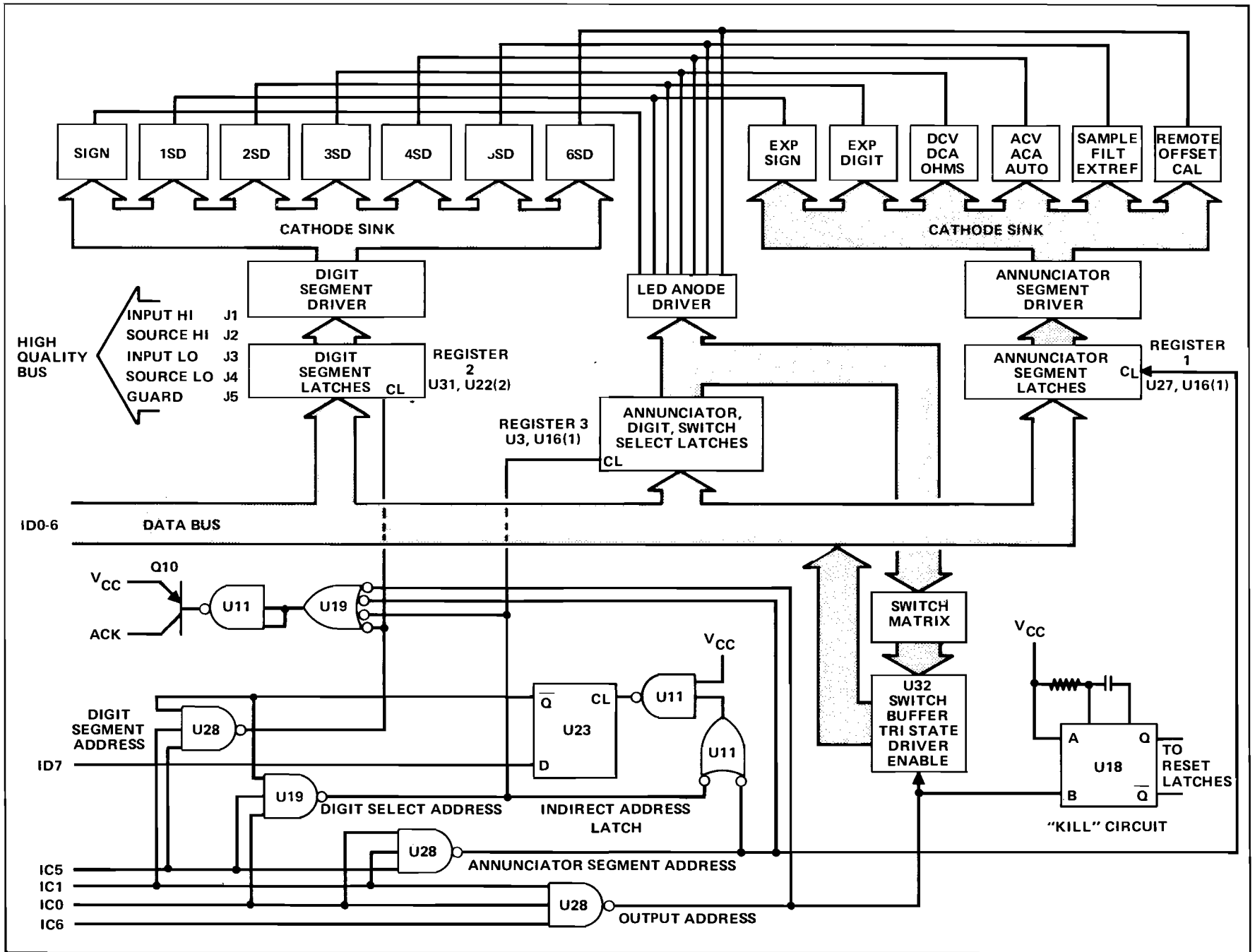
### 3-61. Filter/External Reference

3-62. All inputs to the A/D Converter are routed through the Filter/External Reference module. Refer to Figure 3-17. External reference measurements are made by multiplexing the three Filter module inputs to the A/D Converter. Q18, Q19, and Q20 switch the signal conditioner input, the external reference LO input, and the external reference HI input respectively. Data controlling the switches is latched into U1 upon termination of the address (IC1, 3, 4 high).

3-63. Three-pole, active Bessel filters (U3 and U4) have different settling times and cut-off points. Either filter may be selected from the front input panel for application to the signal conditioner input. Bypass is automatically selected for external reference inputs or may be remotely selected for signal conditioner inputs. The combination of Q32, Q25, Q23, Q24, or Q21, Q22 is turned on to select a filter mode.

3-64. A dual, super-beta transistor in a differential configuration (Q27) drives U5. A current source (Q26) and sink (Q30) bias Q27. Enough current is drawn through R19 by Q26 to bootstrap the input amplifier, Q27, 5V above the output. Gain of the amplifier is set at one by the combination of R21 and the input resistors. The external reference inputs have additional series resistors located at the rear panel terminals.

Figure 3-15. Front Panel





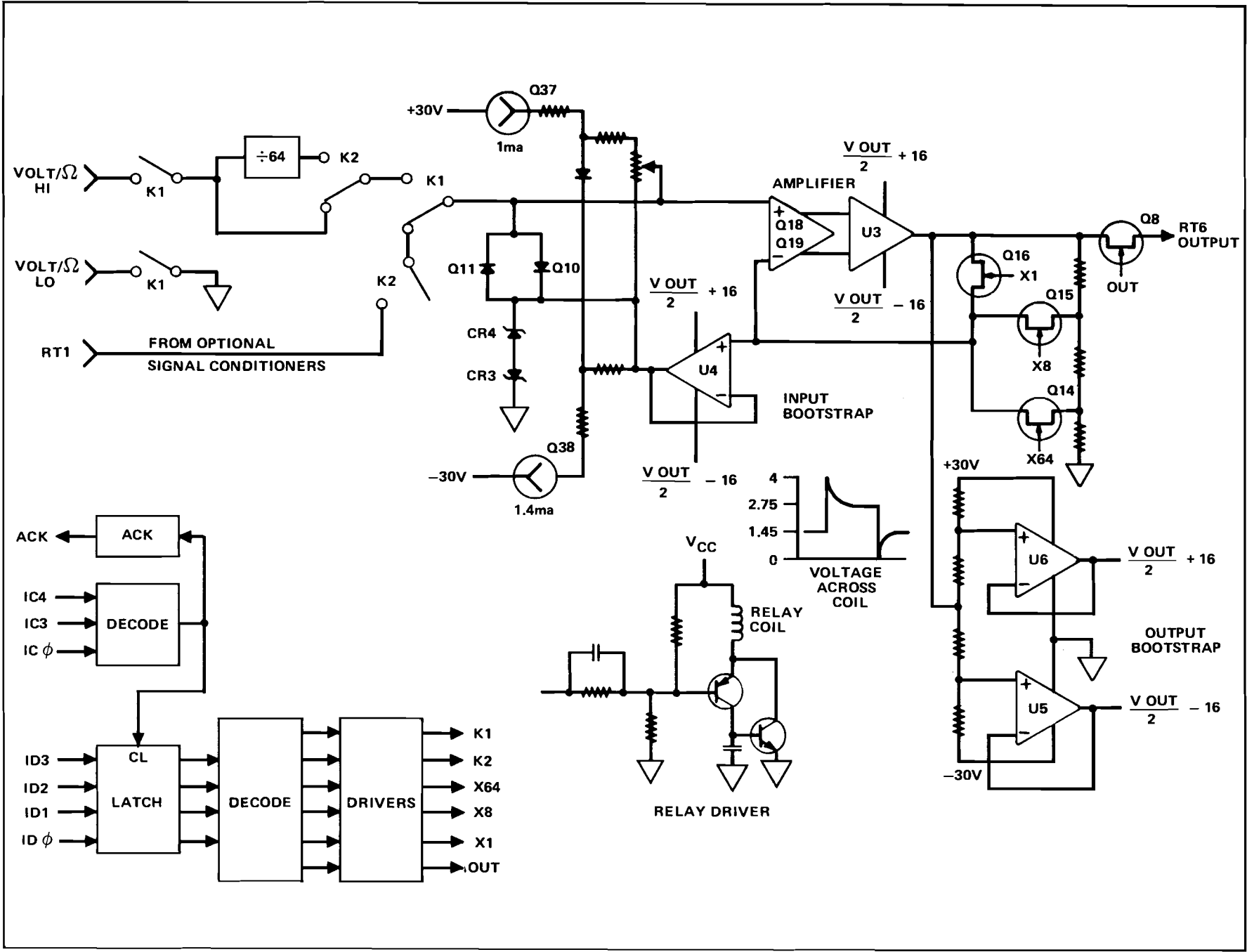


Figure 3-16. DC Signal Conditioner

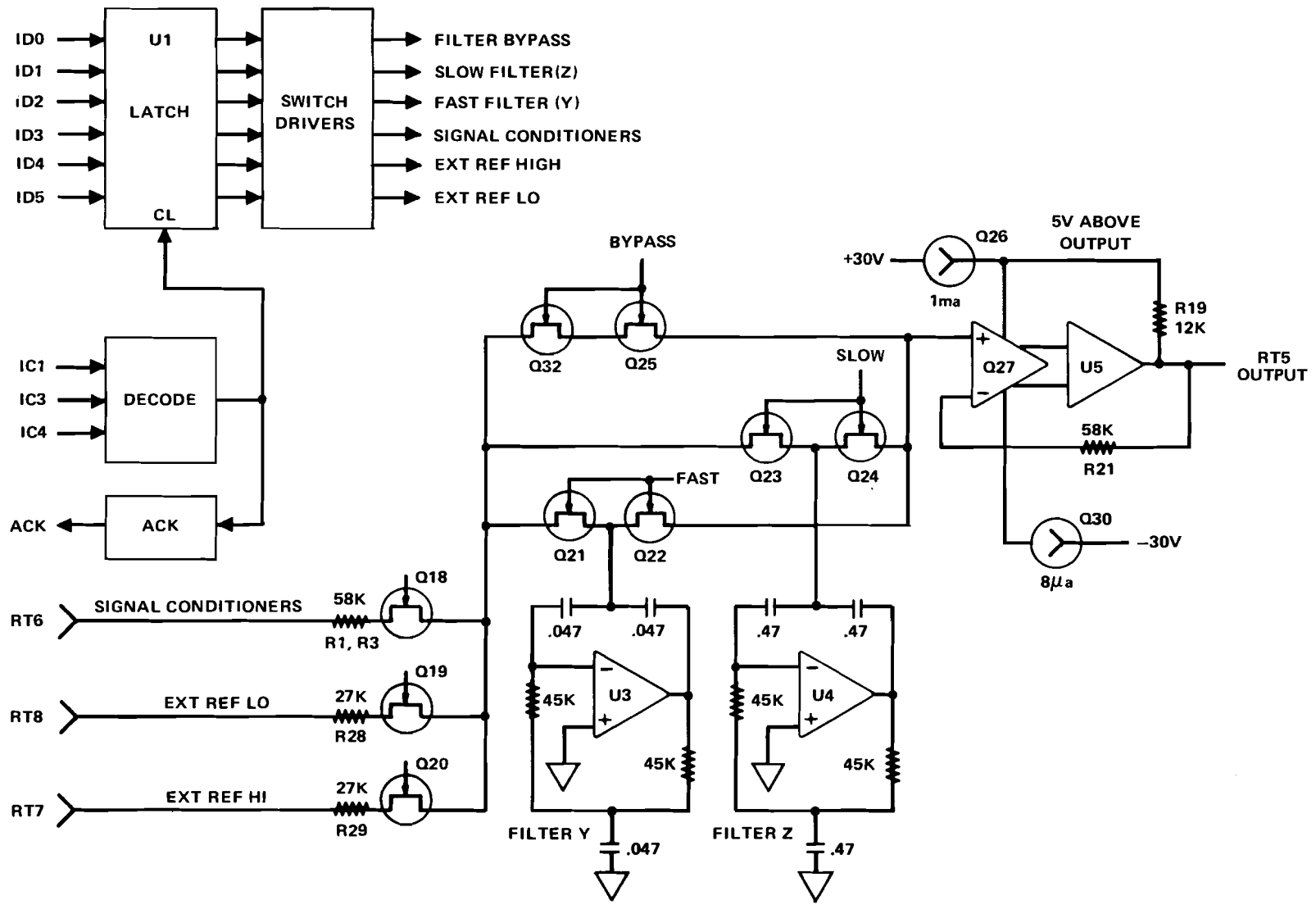


Figure 3-17. Filter/External Reference

### 3-65. Fast R<sup>2</sup> A/D Converter

3-66. The Fast R<sup>2</sup> A/D Converter may be separated for analysis into two component groups: Analog and Digital. Analog circuitry is responsible for producing a voltage reference, for summations, and for remainder amplification and storage. Digital circuitry interfaces the analog circuitry to the Controller and is responsible for reference selection, decisions in the summation process, remainder channel control, and autozeroing. Since functions within the A/D Converter are either directly controlled by the Controller module via the data bus or are clocked through their operations by the Controller addressing the A/D module, the A/D conversion program could be considered a functional part of the A/D Converter.

#### 3-67. ANALOG

3-68. Figure 3-18 is a simplified schematic of the analog portion of the A/D Converter. For clarity, switches are shown as a circle enclosing a letter designator. U1 is a reference and reference amplifier controlling U2, a current source. The -7V reference is set by R9 and R14. U3 serves as a highly regulated collector and zener supply for U1. Operation of the A/D Converter requires both a positive and negative reference (for negative and positive inputs, respectively). Q9 and U4 are a precision unity gain amplifier whose input is controlled by switches A1 and A2. With A1 open and A2 closed, Q9 and U4 are configured as an inverting amplifier producing a positive reference. With A1 closed and A2 open, Q9 and U4 are a noninverting amplifier.

3-69. An input signal is applied to the summing node of the remainder amplifier (Q27, U7) through switch I. Q27 and U7 are an inverting amplifier with two gain configurations. During the decision period, switch G is closed, applying the output of U7 to polarity detector Q28 and forming a feedback path through CR5 and CR6. Q28 sends a polarity bit to the digital portion of the circuitry. On the basis of this first polarity bit, a reference polarity is selected.

3-70. Switches B, C, D, E, and F are closed, one at a time, to switch a precise amount of current into the summing node. When a switch is closed, the opposite switch is opened and vice versa. For example, when D is closed, D is opened. After a switch is closed, a polarity bit is returned. If the polarity changed with respect to the original polarity selected for a step, the switch is opened; otherwise it is left closed. The next switch is closed, a polarity bit returned and a decision made, and so on until all five switches have been closed (and possibly opened again). This constitutes a decision period.

3-71. Following the decision period is the subtraction period. Switch G is opened and switches X and SX are closed

to form a feedback path for the remainder amplifier through the X channel. A 400K resistor, R35, sets the gain of Q27 and U7 at sixteen. The feedback current completes the summation process and the amplified remainder is stored on C10 in the X channel.

3-72. For the next decision period switches SX and X are opened and switches RX and G are closed. Since Q27 and U7 form an inverting amplifier, the opposite polarity reference from the original selection) is automatically selected. The amplified remainder is applied to the summing node through U6 and R34. Five decisions are made, followed by a subtraction period using channel Y for feedback and remainder storage. The first decision-subtraction period applies the input signal to the summing node. The four following steps apply an amplified remainder, alternating between channel X and channel Y.

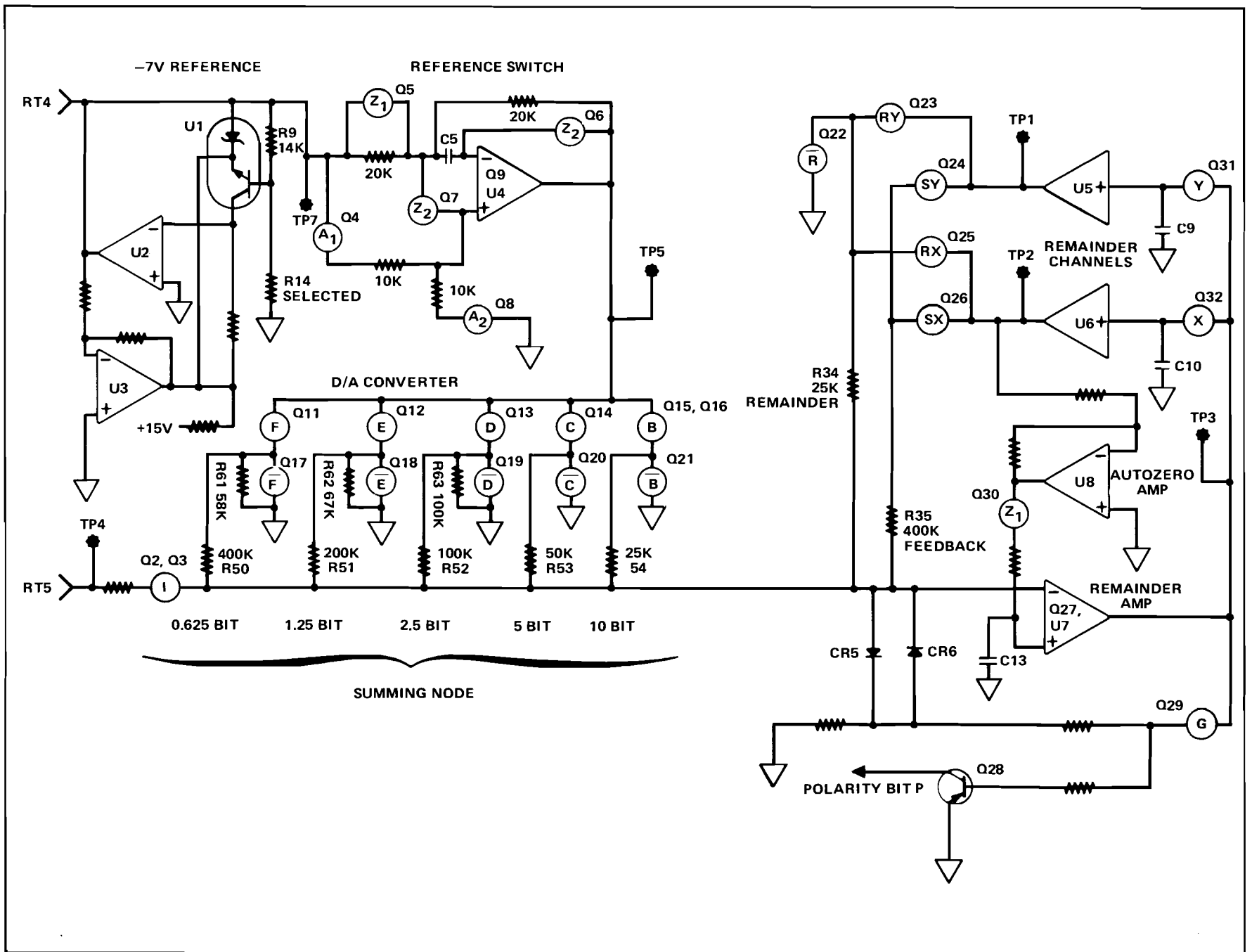
3-73. When a sample is complete, the circuits are autozeroed. U8 zeros the remainder amplifier through channel X. Any offset is stored on C13 at the noninverting input of Q27. The switching reference, Q9 and U4, is zeroed by first closing A1 and opening A2 to decrease settling time. Then A1 and A2 are both opened and the Z1 and Z2 switches are closed, storing any offset error on C5.

#### 3-74. DIGITAL

3-75. For the following discussion, refer to the Digital Fast R<sup>2</sup> A/D schematic in Section 8. Direct address IC2, 3, 4 latches data into U34 and U35 controlling input switch I, remainder channel switches, autozero, and reset (digital). U31, a ring counter, is clocked to the C1 state enabling the indirect address decoder (U33) and the polarity detector (switch G). A polarity bit is returned and applied to U6.

3-76. Indirect address IC1, 2 latches the polarity bit in U6, enables the tristate transmitter, U5, and clocks U31 to the C2 state. The transition of U31 from C1 to C2 clocks the polarity into U11 (the uppermost section) whose output determines whether switch A1 or A2 will be closed (reference polarity). At the same time, U1 (uppermost section) is clocked to set the other section of U11, closing the first reference switch, B, of the A/D Converter. The next indirect address clocks a new polarity bit (a result of closing the first reference switch B) into U6. If the polarity changed, the output of U6 will cause a reset of the previous switch latch, opening the previous switch. At termination of the address the next switch is closed. One direct address and six indirect addresses are required to complete a step. The last indirect address resets the control logic to the C0 state.

Figure 3-18. Fast  $R^2$  A/D Converter (Analog)



3-77. Switch selections are made through switch drivers which rely on  $V_{cc}$  and  $V_{ss}$  being at  $-15V$  and  $-20V$  with respect to analog common. This allows simple transition from TTL levels to FET off voltages. D/A Converter switches are selected on transition of U31 from one state to the next. The transition clocks the first of two "D" flip-flops which sets the second. The output of the second latch resets the first and selects the switch. If the polarity does not change after closing a switch, the output of U6 plus the output of U11 (reference select) will place two highs on the input of one section of AND gate U25. Through OR gate, U16, a one will be applied to the D input of that switch latch. The next transition of U31 will clock

the latch, keeping the switch closed. If the polarity had changed, a zero would be applied to the D input, opening the switch.

3-78. After the last step, at completion of a sample, the Controller addresses the A/D Converter for autozero. U31 is clocked to the C7 state causing a digital reset. When U6, storage capacitor disable, is reset, autozero is enabled. RC coupled gates delay the zero switch controls so that switch A1 may be closed and A2 opened in the reference switching circuit. This provides a faster settling time for the reference switching amplifier. Both A1 and A2 are opened during the autozero time.

## Section 4

# Maintenance

### WARNING!

**THESE SERVICING INSTRUCTIONS ARE FOR USE BY QUALIFIED PERSONNEL ONLY. TO AVOID ELECTRIC SHOCK, DO NOT PERFORM ANY SERVICING OTHER THAN THAT CONTAINED IN THE OPERATING INSTRUCTIONS UNLESS YOU ARE QUALIFIED TO DO SO.**

#### 4-1. INTRODUCTION

4-2. This section of the manual contains performance tests, calibration procedures, and maintenance information including general maintenance and troubleshooting. Calibration intervals may be determined by the user according to the accuracy desired (specifications are listed in Section 2). One year is the recommended maximum calibration interval. Test equipment recommended for performance tests, calibration adjustments, and troubleshooting is listed in Table 4-1. If the recommended equipment is not available, equipment of equivalent specifications may be used.

#### 4-3. SERVICE INFORMATION

4-4. Each instrument manufactured by the John Fluke Mfg. Co., Inc. is warranted for a period of 1 year upon delivery to the original purchaser. The warranty terms are located at the front of the manual.

4-5. Factory authorized calibration and service for each Fluke product is available at various worldwide locations. A complete list of domestic service centers is located in Sec-

tion 7 of the manual. Shipping information is given in Section 2. If requested, the customer will be provided an estimate before any work begins on instruments that are beyond the Warranty period.

#### 4-6. GENERAL MAINTENANCE

##### 4-7. Line Voltage Selection

4-8. Input line voltage is switch selectable between 115V ac and 230V ac (check Section 2 for line voltage and frequency limitations). Removal of the top cover of the instrument allows access to the switch, located in the left front corner on the power supply board. Turn off the power and disconnect the line cord before removing the cover.

##### 4-9. Fuse Replacement

4-10. The line fuse (MDL .5A) is found near the heat sink, on the rear panel. On the front panel, the front input current/ohms protection fuse (AGC 1.5A) is located in the lower right corner.

Table 4-1. Test Equipment

NOMENCLATURE	MINIMUM USE SPECIFICATIONS	RECOMMENDED EQUIPMENT
DC Source	High Short-Term Stability Range: 0 – 1100V	Fluke Model 335A
Null Detector	10 $\mu$ V Full-Scale Resolution	Fluke Model 335A
Reference Divider	$\pm$ .001% Division Accuracy	Fluke Model 750A
Kelvin-Varley Divider	Linearity: $\pm$ .1 PPM of Input	Fluke Model 720A
Standard Cell Enclosure	Guideline 91	Guideline 9152 (R)
Oscilloscope	General Purpose with 10M $\Omega$ Probe	Tektronix 465
Digital Multimeter	Voltage Accuracy: .01% Input Impedance: 1000 M $\Omega$	Fluke Model 8800A
Low EMF, Shielded Connector Cables	Gold-plated Spade Lug Connectors	
Extender Card		Fluke Model MIS-7011k
Bus Monitor		Fluke Model MIS-7013k
Static Controller		Fluke Model MIS-7190K
Test Module		Fluke Model MIS-7191K
<b>AS REQUIRED BY INSTALLED OPTIONS</b>		
AC Calibration System	Voltage Range: 0 – 1000V ac Frequency Range: 10 Hz – 300 kHz Accuracy: 10 Hz – 30 Hz: .1 % 30 Hz – 20 kHz: .02% 20 kHz – 100 kHz: .05% 100 kHz – 300 kHz: .33%	Fluke Model 5200A with Fluke Model 5215A or with Fluke Model 5205A
Current Calibrator with 200 k $\Omega$ Resistor	Accuracy: $\pm$ .02% $\pm$ .01 %	Fluke Model 382A
Standard Resistors	10 $\Omega$ at 30 ppm; 100 $\Omega$ , 1.9k $\Omega$ , 10k $\Omega$ , 100 k $\Omega$ , 250k $\Omega$ , 1 M $\Omega$ , 4 M $\Omega$ at 10 ppm; 10 M $\Omega$ at 50 ppm; 100 M $\Omega$ at 100 ppm	ESI SR-1010 ESI SR-1050
Terminating Load	1 M $\Omega$ $\pm$ 10%/0.22 $\mu$ f Nonpolarized Parallel Load	

#### 4-11. Module Installation and Removal

4-12. Use the following procedure for module installation or removal.

- Turn off the power and disconnect the line cord.
- Remove the instrument's top cover.
- The 8502A allows some choice in the placement of modules. For example, the ohms converter (Option 02) may be placed in slot A, B, C, or D. But the A/D converter will only function in slot H. A complete listing of preferred and permissible slots is offered in Figure 8-2. Slots A – N run from front to rear. Figure 8-1 provides accurate information

on slot location (e.g., J11C, J12C, and J13C form slot C). When installing any module, slide it vertically between the module guides and press firmly into place.

- Open the hinged module top.

*NOTE*

*Make sure the leaf spring, attached to one half of the module shield, is resting firmly over the flange of the opposite half of the module shield.*

- For removal, grasp the module at both ends and pull up. An end-to-end rocking motion may be used to free the module from the connector.

### 4-13. Module Disassembly

4-14. All modules in the 8502A are mounted in shielded cases which may be disassembled, using the following procedure. Avoid using excessive force to prevent breaking the plastic.

1. Pop open the lid by using the indentations at either end and lifting up. Hinge the lid back.
2. Orient the module with one of the guides up.
3. Press down on the end of the case half above the words "OPEN.. while pulling up lightly on the lip of the module guide and just separate that end.
4. Repeat step 3 for the other end.
5. Open the top of the module and the bottom catch will automatically come apart.
6. Press down on the top of the pcb while pulling out to free the pcb from the case half.

4-15. Use the following procedure for module reassembly.

1. Insert the pcb in the case half bottom first and lightly press down on the top to snap it in place.
2. Ensure that the spring shield connection is not caught behind the pcb.
3. Align the bottom center catch of the case halves, making sure the shields at either end fit together properly.
4. Close the two halves together, snapping the module guides closed.
5. Using a small screwdriver or similar tool, lift and position the leaf spring, attached to one half of the module shield, so that it rests firmly over the flange of the opposite half of the module shield.

### 4-16. Front Panel PCB Removal and LED Replacement

4-17. To remove the Front Panel PCB from the instrument for troubleshooting, repair, or LED replacement, use the following procedure :

1. Ensure that the power cord is disconnected from the 8502A.
2. Remove any shorting links from the input terminals.

3. Snap the bezel loose from the frame by depressing and pulling out the top lip. Remove it from the instrument.
4. Remove any defective LEDs from their sockets and replace.
5. If only LED replacement is required, reassemble in the reverse order. If removal of the Front Panel PCB is required, remove the top cover, remove the pcb retainer from the instrument, then unplug the front panel pcb from the motherboard and remove it from the instrument through the front framework.
6. Reassemble the Front Panel in the reverse order.

### 4-18. Power Supply Removal

4-19. Remove the Power Supply from the 8502A using the following procedure:

1. Ensure that the power cord is removed from the 8502A. Remove the top cover.
2. Remove the four screws positioned around the heat sink that secure the power supply to the rear frame.
3. Pull the Power Supply straight back, using a gentle rocking motion to disconnect it from the card edge connector on the interconnect pcb.
4. Reassemble in the reverse order.

### 4-20. Power Supply Interconnect PCB Removal

4-21. Remove the Power Supply Interconnect PCB from the 8502A using the following procedure:

1. Remove the Front Panel pcb and power supply as described above, if not already done.
2. Remove the three screws securing the interconnect pcb to the framework.
3. Disconnect the pcb's card edge connector from the motherboard connector. Lift the pcb out through the front framework, taking care not to damage the power switch.
4. Reassemble in the reverse order.



#### 4-22. Motherboard PCB Removal

4-23. Remove the Motherboard PCB from the 8502A using the following procedure:

1. Remove the modules, the front panel pcb, and power supply interconnect pcb from the instrument if not already done.
2. Remove the eight screws that secure the motherboard to the bottom framework and lift the motherboard out through the front framework of the instrument.
3. Reassemble in the reverse order.

#### 4-24. Cleaning Instructions

4-25. Periodically (at least every 90 days) clean the 8502A using the following procedure:

1. Ensure that the power is removed from the 8502A.
2. Remove the top and bottom covers from the instrument.
3. Disconnect the modules from the motherboard and remove them from the instrument.
4. Clean the interior of the 8502A using low pressure clean, dry air or a vacuum cleaner.
5. Clean the front panel and exterior surfaces with anhydrous ethyl alcohol or a soft cloth dampened with a mild solution of detergent and water.
6. Replace the modules and covers if access to the instrument interior is no longer required.

#### 4-26. PERFORMANCE TEST

#### 4-27. Introduction

4-28. The following paragraphs contain a performance verification test which compares the operation of the instrument to the specifications in Section 1 of this manual. The test may be used to verify calibration of the equipment between scheduled calibration periods or as an aid in troubleshooting.

4-29. The test equipment required for the Performance Test is listed in Table 4-1. If the recommended equipment is not available, replacements with equivalent specification may be substituted.

4-30. If the instrument does not meet the specifications listed in the Performance Test, either the calibration procedure or corrective maintenance should be performed, as determined by the symptoms. The test should be performed when the ambient temperature is between 18° and 28° Celsius and the relative humidity less than 75% to attain maximum accuracy.

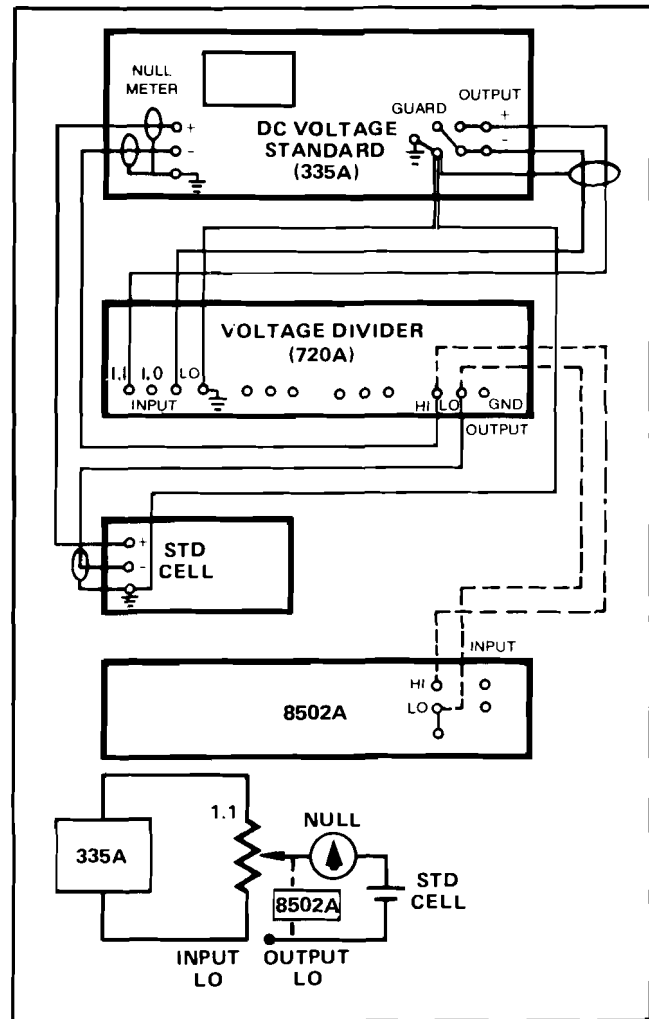


Figure 4-1. Connections For Low Range DC Voltage Tests

#### 4-31. DC Performance Test

#### 4-32. LOW RANGE DC VOLTAGE TESTS

4-33. Perform the Low Range Tests as follows:

1. Connect the equipment shown with solid lines in Figure 4-1. Do not connect the 8502A at this time.
2. Verify that the test equipment is operating properly and their respective warmup periods, as stated in the applicable manuals, have expired.

3. Verify that the 8502A warm-up period of two hours has elapsed. Ensure that the VDC and AUTO indicators are illuminated, the SAMPLE indicator flashes approximately eight times per second (32 samples per reading), and all other indicators are extinguished.
4. Set the Voltage Divider controls for one-tenth the standard cell certified value. Adjust the DC Voltage Standard output for a null on the null meter.
5. Disconnect the leads at the Voltage Divider output terminals and connect the 8502A as shown with the broken lines in Figure 4-1.
6. Perform the test listed in Table 4-2, setting the Voltage Divider to the listed outputs. Do not change the output setting of the DC Voltage Standard. After voltage has been applied to the 8502A but prior to the first reading, toggle the instrument into manual ranging.
7. Reverse the leads at the 335A output terminals (lead previously connected to the HI terminal now connected to the LO terminal and vice versa) and repeat the test listed in Table 4-2, ensuring that the listed outputs are now negative.

**Table 4-2. Low Range DC Voltage Tests**

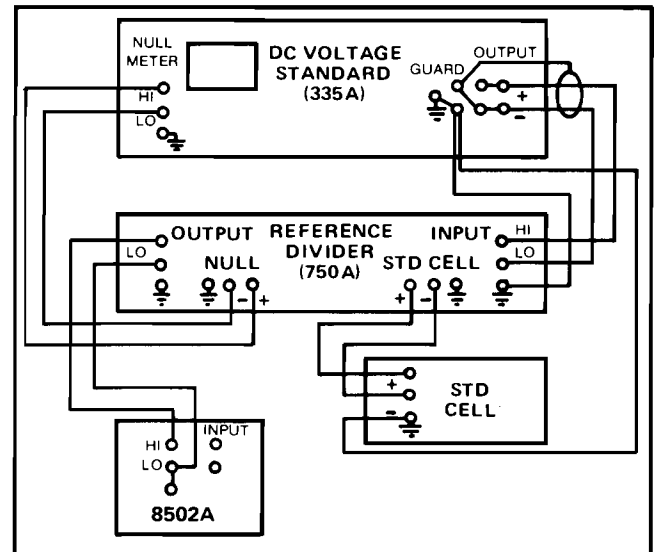
RANGE	DIVIDER SETTING	8502A READING	
		LOW	HIGH
100 mV	.0010000	+ 9.995 (1-3)	+ 10.005 (-3)
100 mV	.0100000	+99.992 (-3)	+100.008 (-3)
1 V	.0100000	+ 0.09999	+ 0.10001
1 V	.1000000	+ 0.99997	+ 1.00003
10 V	.1000000	+ 0.9999	+ 1.0001
10 V	1.0000000	+ 9.9998	+ 10.0002

4. Set the Reference Divider Standard Cell voltage controls to the standard cell certified value and both the input and output controls to 10 volts.
5. Set the DC Voltage Standard to approximately 10 volts, then adjust its output for a null reading on the null meter.
6. The 8502A reading displayed is between +9.999 and +10.001.
7. Set the Reference Divider input and output controls to 100 volts.
8. Set the DC Voltage Standard to approximately 100 volts, then adjust its output for a null reading on the null meter.
9. The 8502A reading displayed is between +99.997 and +100.003.
10. Increment the 8502A range manually to 1000 volts.
11. The 8502A reading displayed is between +99.99 and +100.01.
12. Set the Reference Divider input and output controls to 1000 volts.
13. Set the DC Voltage Standard to approximately 1000 volts, then adjust its output for a null reading on the null meter.
14. The 8502A reading displayed is between +999.97 and +1000.03.
15. Set the DC Voltage Standard to standby.
16. Reverse the leads at the DC Voltage Standard and standard cell terminals (lead previously HI to LO and vice versa).
17. Set the DC Voltage Standard to operate and repeat steps 4 through 15, ensuring that the listed outputs are now negative.

4-34. HIGH RANGE DC VOLTAGE TESTS

4-35. Perform the High Range Test as follows:

1. Connect the equipment as shown in Figure 4-2.
2. Verify that the test equipment is operating properly and any warmup period required has expired.
3. Verify that the 8502A warm-up period of two hours is complete. Ensure that the VDC function is selected with the VDC indicator illuminated and that the instrument is in manual ranging in the 100 volt range. The SAMPLE indicator should be flashing approximately eight times per second (32 samples per reading) and all other indicators should be extinguished.



**Figure 4-2. Connections For High Range DC Voltage Tests**

## 4-36. AUTORANGING TEST

4-37. Test the autoranging capability of the 8502A with the following procedure:

1. Verify that the DC Volts and Autoranging modes are selected on the 8502A.
2. Connect the 8502A input directly to the DC Voltage Standard output.
3. Vary the output of the voltage source through its range, checking that the instrument autoranges approximately at the points indicated in Table 4-3.

Table 4-3. Autoranging

8502A CHANGES RANGE		NOMINAL READING
FROM	TO	
100 mV	1 V	312.5 mV
1 V	10 V	2.5 V
10 V	100 V	20 V
100 V	1000 V	160 V
1000 V	100 V	120 V
100 V	10 V	15
10 V	1 V	1.875
1 V	100 mV	0.234375

## 4-38. DC EXTERNAL REFERENCE

4-39. Test the DC four-wire true ratio, using the following procedure:

1. Connect the test equipment to the 8502A as shown in Figure 4-3.
2. Select the VDC function and Autoranging on the 8502A.
3. Set the DC Voltage Standard controls for +10.0000 volt output and the Voltage Divider controls to 1.000000.
4. Depress and hold the EXT REF switch. As long as the switch is held, the 8502A display reads the External Reference input of 10 volts (between 9.9998 and 10.0002).
5. Release the EXT REF switch. The 8502A computes the ratio ( $V_{IN}/V_{REF}$ ) and displays a reading between 0.99996 and 1.00004.
6. Set the Voltage Divider controls to 0.1000000.
7. The 8502A displays a reading between 99.995 (-3) and 100.005 (-3).
8. Depress the EXT REF switch to toggle the 8502A out of the External Reference mode.
9. Remove power from the test equipment and disconnect it from the 8502A.

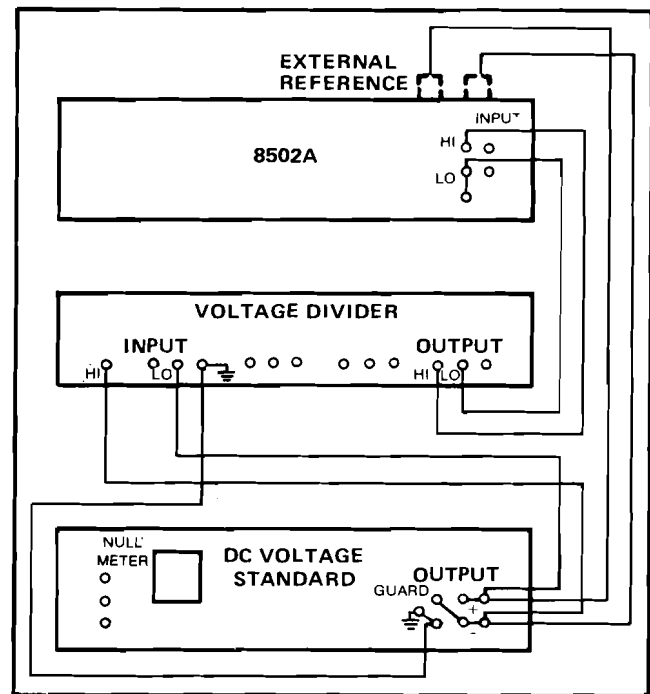


Figure 4-3. DC External Reference Test

## 4-40. CALIBRATION ADJUSTMENTS

## NOTE

The standards called out in the following procedure are required to meet the published accuracy specifications. If published accuracy is not required for a particular function (e.g., Resistance, DC Current, etc), standards with a lower rated accuracy may be used.

## 4-41. Introduction

4-42. The 8502A should be calibrated every 90 days or 1 year, as required to meet the applicable accuracy specifications. It should also be recalibrated any time that repairs are made to the instrument. When performing the calibration, the ambient temperature should be  $23^{\circ}\text{C} \pm 2^{\circ}\text{C}$  and the relative humidity should be less than 75%. Refer to Table 4-1 for the recommended test equipment. Check the instruction manuals for the various pieces of test equipment for the correct warm-up periods. Power Supply adjustments are shown in Figure 4-4. Adjustments and test points on the remaining pcbs are accessible on the top edge of the board by popping open the hinged module top. Adjustments are labeled on the underside of the module top.

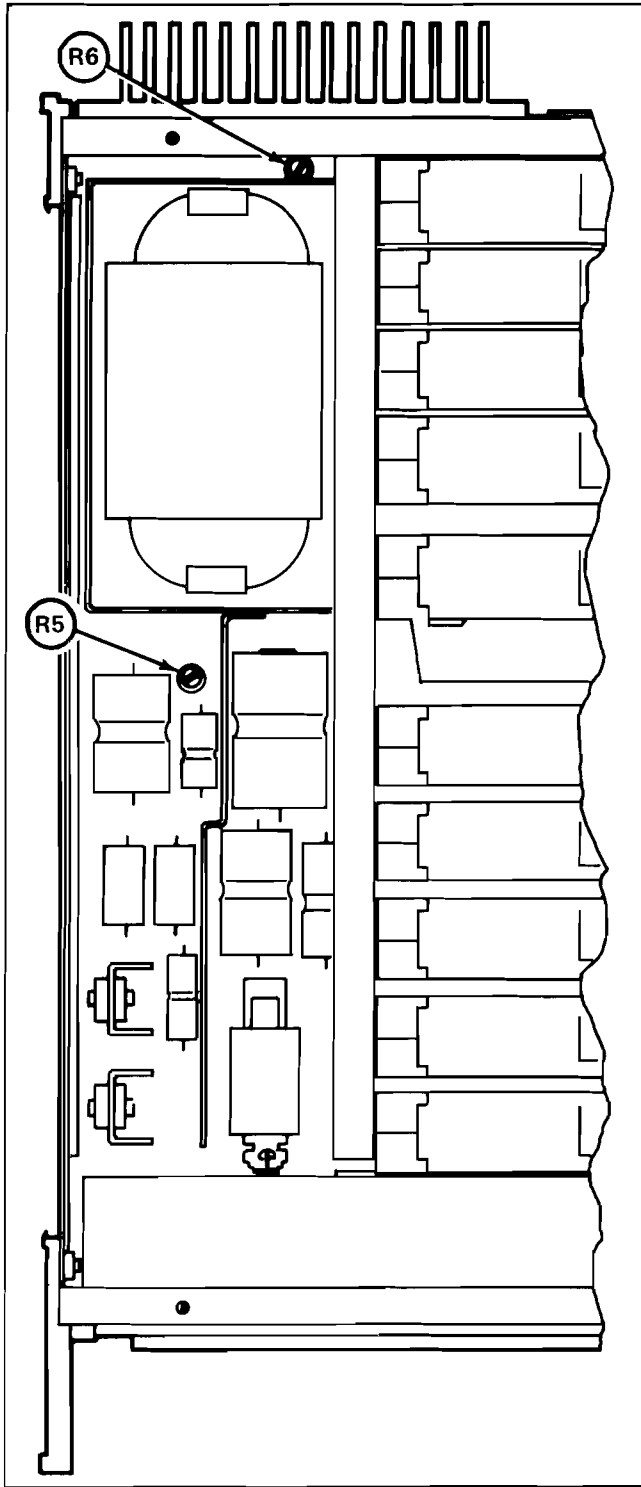


Figure 4-4. Power Supply Adjustments

**4-43. Initial Procedure**

4-44. With the POWER switch OFF, replace the Isolator or Bus Interconnect, whichever is installed, with the Bus Interconnect and Monitor Board, MIS-7013K. Remove the CAL Memory if installed. After completing calibration,

reinstall the CAL Memory and enter new calibration factors (should be zeros). Set the POWER switch to ON and allow the instrument to warm-up for at least 1 hour before continuing with the calibration.

**4-45. Power Supply**

4-46. Perform the Power Supply checks and adjustments as follows:

**CAUTION!**

**Do not use the 8502A to check its own supplies.**

1. Connect the test DMM HI input to Vcc on the Bus Interconnect and Monitor Board and the LO input to Vss.
2. Adjust R6 for a reading between +5.00 and +5.10V dc to set the Logic Supply.
3. Transfer the HI DMM input lead to VA2.
4. Adjust R5 for a reading between +5.00 and +5.10V dc to set the Analog Supply.
5. Verify that the voltages in Table 4-4 are within the prescribed limits.
6. Prepare the test DMM to read AC volts and verify that the voltage between LINE and Vss reads between 13 and 17V ac.
7. Turn the POWER switch to OFF, remove the Bus Interconnect and Monitor Board, and return the Isolator or Bus Interconnect to the Instrument.
8. Reapply power to the 8502A.

Table 4-4. Power Supply Verifications

TEST POINTS		VOLTAGE RANGE (Vdc)		SUPPLY
HIGH	LOW	FROM	TO	
V <sub>DD</sub>	V <sub>SS</sub>	+ 11.4	+ 12.6	Logic
V <sub>GG</sub>	V <sub>SS</sub>	- 11.4	- 12.6	Logic
VA1	AR	+ 14.25	+ 15.75	Analog
VA2	AR	- 14.25	- 15.75	Analog
VA3	AR	+ 29.7	+ 31.7	Analog
VA4	AR	- 29.7	- 31.7	Analog

**4-47. DC Calibration Procedure**

4-48. There are two methods of performing dc calibration in the 8502A. If the Calibration Memory (Option -04) is installed, separate factors for each range and function may be entered from the front panel. This procedure is fully explained in Section 6. Alternately, dc calibration can be performed in the 100 mV range through the following adjustments on the DC Signal Conditioner module. If this procedure is followed, either the Calibration Memory

module must be physically removed or the stored memory factors must be removed. To remove these factors:

1. Place the CAL switch down (CAL LED on).
2. Apply a good quality short across the input terminals (INPUT SENSE HI to LO).
3. Press STORE for each range (manually select ranges with UP and DN switches).

4-49. The offset adjustment, R14, in the Active Filter does not require adjustment unless Q27 or U5 have been replaced. There are no other adjustments in the Active Filter. Refer to troubleshooting, Figure 4-9, in this section for adjustment procedures for R14.

#### 4-50. DC CONDITIONER ADJUSTMENTS

4-51. All adjustments and test points in the following procedures are on the DC Signal Conditioner. Perform the subtest, using the following procedure:

1. Select V DC, the 100 mV range, the slow filter (indicator on), samples per reading rate 7, and the CAL switch ON (CAL LED flashes).
2. Short the 8502A front input terminals.
3. Adjust R53 for a reading of exactly 0  $\mu$ V.
4. Remove the short from the input terminals and apply a 1 M $\Omega$ /0.22  $\mu$ F parallel load.
5. Adjust R52 for a reading between -0.002 and +0.002V dc (0  $\pm$ 2  $\mu$ V).
6. Repeat steps 2 through 5 until both readings are present without an adjustment.

#### 4-52. A/D CONVERTER CALIBRATION PROCEDURES

4-53. Use the following procedures to calibrate the A/D Converter. All test points and adjustments are on the A/D Converter.

4-54. This paragraph contains the adjustment procedure for R64. R64 requires adjustment only if R54 in the tens bit ladder has been replaced during repair. Unless R54 has been replaced, go on to the next paragraph.

1. Connect the test DMM HI to TP7, LO to TP6.
2. Adjust R1 for a test DMM reading of -7.000X V.
3. Remove the test DMM.

4. Using the test connections in Figure 4-1, apply 10.10000 volts dc to the 8502A input terminals.
5. Adjust R64 for an 8502A reading of +10.10000  $\pm$ 5 cal digits.
6. Continue with the following adjustments.

#### 4-55. A/D Zero Adjustment

4-56. Using the following steps to adjust auto zero in the A/D Converter:

1. Select the 10V range on the 8502A.
2. Short the 8502A input terminals.
3. Adjust R8 for a reading of 0.0000-0  $\pm$ 1 cal digit.

#### 4-57. A/D Calibrator Settings

4-58. Prepare the DC Voltage Standard for use during the A/D Calibration using the following procedure:

1. Connect the equipment, as shown with the solid lines in Figure 4-1. Do not connect the 8502A at this time.
2. Set the Voltage Divider controls at one-tenth the standard cell certified value (standard cell value x 0.1).
3. Adjust the DC Voltage Standard output for a null on the null meter.
4. Record the dial setting of the DC Voltage Standard as "Control Setting A." This setting will be used later in the procedure, in addition to the following paragraph.
5. Disconnect the leads at the Voltage Divider output terminals from the null meter and standard cell and connect the 8502A as shown with the broken lines in Figure 4-1.

#### 4-59. A/D Ladder Adjustments

4-60. Use the following steps when adjusting the A/D Ladder:

1. Select the 10V manual range on the 8502A.
2. Set the Voltage Divider controls for a ratio of 1.0100000.
3. Adjust R1 for a reading between +10.0999-9 and +10.1000-1 (+10.1000-0  $\pm$ 1 cal digit).

4. Reverse the polarity of the dc voltage at the DC; Voltage Standard for a negative input to the 8502A.
5. Adjust R2 for a reading between -10.0999-9 and -10.1000-1 (-10.1000-0  $\pm 1$  cal digit). If these adjustments cannot be made, perform A/D Converter Calibration Procedures.
6. Return the polarity of the dc voltage to a positive output from the DC Voltage Standard input at the 8502A.
7. Set the Voltage Divider controls for a ratio of .0500000.
8. Adjust R7 for a reading between +0.4999-9 and +0.5000-1 (+0.5000-0  $\pm 1$  cal digit).
9. Repeat steps 2 through 8 until all readings are within tolerance without making an adjustment.
10. Set the Voltage Divider controls for ratio of .5100000.
11. Adjust R6 for a reading between +5.0999-9 and +5.1000-1 (+5.1000-0  $\pm 1$  cal digit).
12. Set the Voltage Divider controls for a ratio of .2600000.
13. Adjust R5 for a reading between +2.5999-9 and +2.6000-1 (+2.6000-0  $\pm 1$  cal digit).
14. Set the Voltage Divider controls for a ratio of .1400000.
15. Adjust R4 for a reading between +1.3999-9 and +1.4000-1 (+1.4000-0  $\pm 1$  cal digit).
16. Set the Voltage Divider controls for a ratio of .0750000.
17. Adjust R3 for a reading between +0.7499-9 and 0.7500-1 (0.7500-0  $\pm 1$  cal digit).
18. Repeat steps 2 through 17 until all steps are within the stated tolerance.

#### 4-61. Linearity Verification

4-62. Use the following procedure to check linearity for the 8502A:

1. Verify that the 8502A reading rate is set at 128 samples/reading and the 10V manual range is selected.
2. Set the Voltage Divider controls for a ratio of .2000000.

3. Set the DC Voltage Standard for an output of approximately 100 volts and adjust its output for a reading between +19.9999-9 and +20.0000-1 on the 8502A.
4. Set the Voltage Divider controls for a ratio of .0000000 and verify that the reading is between -0.0000-1 and +0000-1 (0  $\pm 1$  cal digit).
5. Reverse the polarity of the dc voltage at the DC Voltage Standard for negative input to the 8502A.
6. Verify that the 8502A reads between -0.0000-1 and +0.0000-1 (0  $\pm 1$  cal digit).
7. Return the polarity of the dc voltage output from the DC Voltage Standard to a positive input at the 8502A.
8. Set the Voltage Divider controls to the settings listed in Table 4-5, verifying that the readings are within the tolerances listed in the table.
9. Reverse the polarity of the DC Voltage Standard output and repeat the steps in Table 4-5, checking that the reading is negative and within the listed tolerance.
10. Set the DC Voltage Standard for the "Control Setting A" recorded earlier.
11. Set the Voltage Divider controls for a ratio of 1.0000000.
12. Verify that the 8502A reads between +9.9999-9 and +10.0000-1 (+10.0000-1  $\pm 1$  cal digit).

**Table 4-5. Linearity Checks**

DIVIDER SETTING	READINGS		
	MINIMUM	NOMINAL	MAXIMUM
.0100000	0.9999-5	1.0000-0	1.0000-5
.0200000	1.9999-5	2.0000-0	2.0000-5
.0300000	2.9999-5	3.0000-0	3.0000-5
.0400000	3.9999-5	4.0000-0	4.0000-5
.0500000	4.9999-5	5.0000-0	5.0000-5
.0600000	5.9999-5	6.0000-0	6.0000-5
.0700000	6.9999-5	7.0000-0	7.0000-5
.0800000	7.9999-5	8.0000-0	8.0000-5
.0900000	8.9999-5	9.0000-0	9.0000-5
.1000000	9.9999-5	10.0000-0	10.0000-5
.1100000	10.9999-4	11.0000-0	11.0000-6
.1200000	11.9999-4	12.0000-0	12.0000-6
.1300000	12.9999-4	13.0000-0	13.0000-6
.1400000	13.9999-3	14.0000-0	14.0000-7
.1500000	14.9999-3	15.0000-0	15.0000-7
.1600000	15.9999-3	16.0000-0	16.0000-7
.1700000	16.9999-2	17.0000-0	17.0000-8
.1800000	17.9999-2	18.0000-0	18.0000-8
.1900000	18.9999-2	19.0000-0	19.0000-8
.2000000	19.9999-2	20.0000-0	20.0000-8

## 4-63. RANGE ADJUSTMENTS

**NOTE**

*If the Calibration Memory option is included with the unit, refer to Section 6 for reinstallation and setup.*

4-64. All adjustments and test points in the following procedure are on the DC signal conditioner. Perform the subtests using the following procedures.

4-65. Use the following steps to adjust the 100mV range:

1. Ensure that the DC Voltage Standard is set for "Control Setting A."
2. Set the Voltage Divider controls for a ratio of .0000000.
3. Select the 100 mV range on the 8502A.
4. If required, readjust R53, for a reading of  $0 \pm 0 \mu\text{V}$ .
5. Set the Voltage Divider controls for a ratio of .300000.
6. Adjust R49 for a reading between +299.999 and +300.001 (+300.000  $\pm 1$  digit).

4-66. Use the following procedure to adjust the 1V range:

1. Select the 1V range on the 8502A.
2. Set the Voltage Divider controls for a ratio of .2500000.
3. Adjust R48 for a reading between +2.49999-9 and +2.50000-1 (+2.50000-1  $\pm 1$  cal digit).

4-67. Use the following procedure to adjust the 100V range:

1. Connect the equipment as shown in Figure 4-2.
2. Select the 100V range on the 8502A.
3. Set the Reference Divider Standard Cell voltage controls to the standard cell certified value and both the input and output controls to 100 volts.
4. Set the DC Voltage Standard to approximately 100 volts, then adjust its output for a null on the null meter.
5. Adjust R47 for a reading between +99.999-9 and 100.000-1 (+100.000-0  $\pm 1$  cal digit).

4-10

4-68. Use the following procedure to adjust the 1000V range:

1. Select the 1000V range on the 8502A and take the instrument out of the Cal mode by moving the CAL switch to OFF (CAL indicator extinguishes).
2. Verify that the 100 volt setting on the Reference Divider is still nulled.
3. The 8502A should read between +99.98 and +100.02 (+100.00  $\pm 2$  digits).
4. Set the Reference Divider input and output controls to 500 volts.
5. Set the DC Voltage Standard to approximately 500 volts, then adjust its output for a null on the null meter.
6. The 8502A should read between +499.98 and +500.02 (+500.00  $\pm 2$  digits).
7. Set the Reference Divider input and output controls to 1000 volts.
8. Set the DC Voltage Standard to approximately 1000 volts, then adjust its output for a null on the null meter.
9. The 8502A should read between +999.98 and +1000.02 (1000.00  $\pm 2$  digits).

**4-69. TROUBLESHOOTING** 

4-70. Static discharge can damage components contained in the 8502A. The following precautions should be observed during troubleshooting, repair, or module replacement.

1. Never connect or disconnect modules or components without first turning the 8502A's Power switch to OFF.
2. Perform all repairs at a static-free work station.
3. Minimize handling of IC's and pcb's; in no case handle them by their connectors.
4. Keep repair parts in their original containers until ready for use.
5. Use static ground straps to discharge repair personnel.

6. Use conductive foam or anti-static containers to store replacement or removed IC's and pcb's.
7. Remove all plastic, vinyl and styrafoam products from the work area.
8. Do not slide static sensitive devices over any surface.
9. Use only anti-static type solder removal tools.
10. Use grounded tip soldering irons.

4-71. A procedure for isolating faulty modules is contained in Table 4-6. It is important that the theory of operation given in Section 3 be read before attempting to troubleshoot the 8502A. The module isolation procedure involves making observations of the 8502A behavior, then removing or replacing modules to establish cause-effect relationships. DO NOT remove or replace modules with the power on. Follow the procedure step by step all the way through to assure that the fault is isolated to the correct module. Faults in some modules may cause apparent faults in other modules.

**WARNING**  
**IF THE ISOLATOR AND THE BIT SERIAL INTERFACE ARE INSTALLED, REPLACEMENT OF THE ISOLATOR BY THE BUS INTERCONNECT MONITOR BOARD MAY ALLOW A HAZARDOUS COMMON MODE VOLTAGE TO APPEAR ON THE OUTPUT CONNECTOR OF THE INTERFACE.**

4-72. Figures 4-5 through 4-11 contain symptom analysis troubleshooting information for each of the modules and pcb's contained in the mainframe 8502A. The possible failures are listed in order of probability. Troubleshooting information for optional modules is contained in Section 6.

#### 4-73. Troubleshooting Notes

4-74. Error codes are disabled in the CAL mode. Selection of a function for which the module is either faulty or missing will then result in random readings.

4-75. If interaction between modules is a problem during troubleshooting, use of either the Static Controller (MIS-7190K) or the Test Module (MIS-7191K) could be helpful. With the Static Controller, bus IC, ID, and handshake signals may be applied separately to most analog and digital modules. The Test Module may be used to either check or troubleshoot the Controller module. Complete use information and troubleshooting techniques are provided with these test modules.

4-76. Use the Bus Interconnect and Monitor Board (MIS-7013K) to access lines on either the digital (unguarded) or analog (guarded) interbus. In using the Bus Interconnect Monitor Board, note that RT1 physically does not extend to the Isolator-Interconnect slot. RT1 is accessible with the Monitor Board installed in any of the first four slots (J11A, B, C, or D). The output of the optional Ohms Converter and Current Shunts modules are on RT1.

#### CAUTION

**Do not apply an input directly to the A/D Converter module. Damage to the A/D Converter may result. The DC Signal Conditioner may be bypassed by applying a signal directly to the Active Filter module, as outlined in the module isolation procedure.**

4-77. Care should be exercised when soldering on multi-layer printed circuit boards. Excessive heat can be especially ruinous. Note the following considerations:

1. Excessive heat can cause unseen damage to board laminations and through-hole plating.
2. Soldering tip temperatures above 700°F should, in all cases, be avoided.
3. Whenever possible, alternate soldering tool usage between divergent areas on a board. Concentration of heat in any one area will thereby be minimized.

#### 4-78. Non-recurring Adjustments

##### 4-79. POWER SUPPLY ASSEMBLY

4-80. Variable resistor R9 in the U3 Regulator circuit of the A4 Power Supply Assembly (Rev. E and subsequent) is set at the factory and should not require additional adjustment. If any components in the circuit are replaced during troubleshooting it can be adjusted or verified using the following procedure:

1. Connect a test DMM between -15V (VA2) and ANALOG RETURN (AR) on pins 5,14 and 7,16 of the Guarded Bus connector (P1) respectively.
2. Record the value of the reading.
3. Connect the test DMM between +15V (VA1) and AR on pins 6,15 and 7,16 of P1 respectively.
4. Adjust R9 until the test DMM reads within  $\pm 0.25V$  of the reading recorded in step 2 above.
5. Recheck the -15V and +15V supplies at the points given in steps 1 and 3 above respectively and verify that they read  $-15 \pm 0.75V$  and  $+15 \pm 0.75V$ . If either is outside the stated tolerance repeat steps 1 through 4 until both values are within tolerance.



Table 4-6. Faulty Module Isolation

STEP NO.	ACTION	Go to the step number given for correct response	
		YES	NO
1.	Turn the power ON. The following should be displayed. HI-2.0.Y (Y=Program number) then C XXXXX (X = installed option number) then 0.00 ±.05 (DC Volts, 1000V range, Fast sample rate)		
2.	Is the display blank?	6	3
3.	Is the initial display other than HI-2.0.Y?	42	4
4.	Is the reading other than 0.00 ±.05	59	5
5.	Are the first three displays normal?	78	2
	DISPLAY BLANK AT POWER ON		
6.	Remove bus interconnect (or Isolator if installed).		
7.	Turn power ON. Is HI-2.0.Y displayed?	8	11
8.	Was the isolator installed?	9	11
9.	Install interconnect-monitor in the Isolator slot. Is HI-2.0.Y displayed?	10	13
10.	Bad Isolator. Go to Section 6 under Isolator.		
11.	Is the power indicator on?	17	12
12.	Check the fuse. Is it bad (replace)?	1	17
13.	Remove Cal Memory and remote interfaces if installed. Is HI-2.0.Y displayed?	14	17
14.	Replace Cal Memory, Is HI-2.0.Y displayed?	16	15
15.	Bad Cal Memory. Go to Section 6 under Calibration Memory.		
16.	Bad Remote Interface. Go to Section 6 under the appropriate interface.		
17.	Install the interconnect-monitor PCB in the Isolator slot.		
18.	Check power supply voltages as follows. Test DMM Common to VSS. V <sub>DD</sub> = +11.4 to +12.6      V <sub>CC</sub> = +5.15 to 5.25 V <sub>GG</sub> = -11.4 to -12.6      LINE = 13V ac to 17V ac		
19.	Are the power supplies within tolerance?	26	20
20.	Remove all modules except the Front Panel.		
21.	Recheck power supplies. Within tolerance?	22	23
22.	Replace modules one at a time (start with Controller), rechecking supplies after replacing each module. The last one put in when the supplies go bad is the problem. Go to the appropriate figure for that module.		
23.	Remove the front panel. Recheck supplies. Within tolerance?	25	24
24.	Problem on power supply, motherboard, or power supply interconnect.		
25.	Bad Front Panel. Go to Figure 4-7.		

Table 4-6. Faulty Module Isolation (cont)

STEP NO.	ACTION	Go to the step number given for correct response	
		YES	NO
26.	Remove Cal Memory and the remote interface if installed.		
27.	Check IC 6, 5, 1, 0 on interbus. All moving?	28	30
28.	Check ACK line. Moving?	29	30
29.	Check ID0 –7. All moving?	32	30
30.	Check Controller clock, TP2, TP3 (TP1 = gnd). Is 12V, 1.7 MHz signal present?	33	31
31.	Bad Controller. Go to Figure 4-6.		
32.	Bad Front Panel. Go to Figure 4-7.		
33.	Remove analog modules, leaving only Controller, Front Panel, and Interconnect. Is the display normal?	34	35
34.	Faulty Analog Module. Replace one at a time – last one in is the problem. Go to the appropriate figure for that module		
35.	Remove Front Panel, replace DC Signal Conditioner, Filter, A/D Converter.		
36.	Check IC lines, ACK line, ID lines. All moving?	38	37
37.	Bad Controller. Go to Figure 4-6.		
38.	Bad Front Panel. Go to Figure 4-7.		
	INITIAL DISPLAY OTHER THAN HI–2.0.Y		
39.	Remove Interconnect PCB (or Isolator if installed).		
40.	Apply power. Is the display as follows? HI–2.0.Y C XXXXX Error 9	41	44
41.	Was the Isolator installed?	42	47
42.	Install Interconnect-monitor PCB in Isolator slot. Is display normal?	43	48
43.	Bad Isolator. Go to Section 6.		
44.	Are Cal Memory or remote interface installed?	45	47
45.	Remove Cal Memory and remote. Display normal?	46	47
46.	Replace one at a time. Go to appropriate figure.		
47.	Install Interconnect-Monitor PCB.		
48.	Check for shorts between the IC and the ID lines. Shorts?	49	51
49.	Remove all modules except Front Panel. Removed short?	50	57
50.	Reinstall modules one at a time (start with Controller), checking for shorts between modules. Last one in is the problem. Go to the figure for the appropriate module.		

Table 4-6. Faulty Module Isolation (cont)

STEP NO.	ACTION	Go to the step number given for correct response	
		YES	NO
51.	Are any of the IC, ID, or ACK lines always high or always low?	53	52
52.	Remove all modules except Front Panel and Controller. IC and ID moving?	56	53
53.	Remove Front Panel. Reinstall dc analog modules if removed.		
54.	Are the IC, ID, and ACK lines moving?	57	55
55.	Bad Controller. Go to Figure 4-6.		
56.	Is the display normal?	58	57
57.	Front Panel bad. Go to Figure 4-7.		
58.	Faulty Analog module. Replace one at a time until symptoms recur. Last one in is faulty. Go to the figure for the appropriate module		
READING NOT ZERO AT TURN ON			
59.	Remove all optional modules (except Isolator if installed), leaving Controller, (Isolator), DC Signal Conditioner, Filter, A/D, Front Panel.		
60.	Apply power. Is the reading zero?	61	62
61.	Replace modules one at a time until reading is not zero. Last one in is the problem. Go to Section 6.		
62.	Is the Isolator installed?	63	65
63.	Replace Isolator with Interconnect-Monitor PCB. Is the reading zero?	64	65
64.	Bad Isolator. Go to Section 6.		
65.	Install Interconnect Monitor if not already installed. Check supply voltages as follows. Test DMM LO on AR (analog return). VA1 = +14.25 to +15.75 V    VA4 = -29 to -32 V VA2 = -14.25 to -15.75V    V <sub>CC</sub> = -15V } Difference must equal VA3 = +29 to +32V        V <sub>SS</sub> = -20V } 4.9 to 5.2V		
66.	Supply voltages in tolerance?	70	67
67.	Remove all modules except Front Panel. Supplies in tolerance?	69	68
68.	Repair power supply. Go to Figure 4-5.		
69.	Replace modules one at a time, checking supplies between modules. Last one in is faulty. Go to the appropriate figure.		
70.	Remove Filter module. CAL switch on. Select DC Volts, 1000V range.		
71.	Is the reading zero?	72	77
72.	Replace Filter module; remove DC Signal Conditioner.		
73.	Place a jumper (short) between RT2 and RT6.		
74.	Is the reading zero (disregarding CAL digit)?	75	76

Table 4-6. Faulty Module Isolation (cont)

STEP NO.	ACTION	Go to the step number given for correct response	
		YES	NO
75.	DC Signal Conditioner bad. Go to Figure 4-8.		
76.	Filter module bad. Go to Figure 4-9.		
77.	A/D converter bad. Go to Figure 4-10.		
78.	Do the Performance Tests earlier in this section.		
79.	Is the unit within the tolerances given?		80
80.	Is the Cal Memory installed?	81	83
81.	Remove the Cal Memory. Is the unit now within tolerance?	82	83
82.	Faulty Cal Memory. Go to Section 6.		
83.	Is the Isolator installed?	84	87
84.	Replace Isolator with Interconnect-monitor PCB.		
85.	Is unit within tolerance?	86	87
86.	Bad Isolator. Go to Section 6.		
87.	Is the failure in DC Volts Performance Test?	89	88
88.	Go to Section 6 for the appropriate faulty function.		
89.	Remove all optional modules, leaving Front Panel, Controller, DC Signal Conditioner, Active Filter, and A/D Converter.		
90.	Do the DC Volts Performance Test. Is the unit within tolerance?	91	92
91.	Reinstall options one at a time, rechecking DC Volts tolerance. Last module installed when unit becomes out of tolerance is faulty. Go to Section 6.		
92.	Check supply voltages according to the following chart. VA1 = +14.25 to +15.75V    VA4 = -29 to -32V VA2 = -14.25 to -15.75V    V <sub>CC</sub> = -15V ) VA3 = +29 to +32V        V <sub>SS</sub> = -20V )    Difference = 4.9 to 5.2V		
93.	Are the supplies within tolerance?	97	94
94.	Remove all modules except Controller and Front Panel. Are the voltages correct?	95	96
95.	Replace modules one at a time until the voltages go bad. Last one in is the problem. Go to the appropriate figure.		
96.	Repair power supply. Go to Figure 4-5.		

Table 4-6. Faulty Module Isolation (cont)

STEP NO.	ACTION	Go to the step number given for correct response																																													
		YES	NO																																												
97.	<p>Connect the test DMM LO to RT2 and HI to RT6. Apply known voltages to the 8502A input to test the DC Signal Conditioner. The following voltages are suggested inputs:</p> <table border="1"> <thead> <tr> <th>8502A RANGE</th> <th>GAIN DC SIG COND</th> <th>INPUT</th> <th>TEST DMM READING</th> </tr> </thead> <tbody> <tr> <td>100mV</td> <td>X64</td> <td>2mV</td> <td>128.0mV</td> </tr> <tr> <td>100mV</td> <td>X64</td> <td>200 mV</td> <td>12.80V</td> </tr> <tr> <td>1V</td> <td>X8</td> <td>125mV</td> <td>1.0V</td> </tr> <tr> <td>1V</td> <td>X8</td> <td>2V</td> <td>16.0V</td> </tr> <tr> <td>10V</td> <td>X1</td> <td>1V</td> <td>1.0V</td> </tr> <tr> <td>10V</td> <td>X1</td> <td>19V</td> <td>19.0V</td> </tr> <tr> <td>100V</td> <td>÷8</td> <td>1V</td> <td>125.0mV</td> </tr> <tr> <td>100V</td> <td>÷8</td> <td>140V</td> <td>17.50V</td> </tr> <tr> <td>1000V</td> <td>÷64</td> <td>64V</td> <td>1.0V</td> </tr> <tr> <td>1000V</td> <td>÷64</td> <td>960V</td> <td>15.0V</td> </tr> </tbody> </table>	8502A RANGE	GAIN DC SIG COND	INPUT	TEST DMM READING	100mV	X64	2mV	128.0mV	100mV	X64	200 mV	12.80V	1V	X8	125mV	1.0V	1V	X8	2V	16.0V	10V	X1	1V	1.0V	10V	X1	19V	19.0V	100V	÷8	1V	125.0mV	100V	÷8	140V	17.50V	1000V	÷64	64V	1.0V	1000V	÷64	960V	15.0V		
8502A RANGE	GAIN DC SIG COND	INPUT	TEST DMM READING																																												
100mV	X64	2mV	128.0mV																																												
100mV	X64	200 mV	12.80V																																												
1V	X8	125mV	1.0V																																												
1V	X8	2V	16.0V																																												
10V	X1	1V	1.0V																																												
10V	X1	19V	19.0V																																												
100V	÷8	1V	125.0mV																																												
100V	÷8	140V	17.50V																																												
1000V	÷64	64V	1.0V																																												
1000V	÷64	960V	15.0V																																												
98.	Are the readings correct (noise or drift in the DC Signal Conditioner will show up on the Test DMM readings)?	100	99																																												
99.	DC Signal Conditioner faulty. Go to Figure 4-8.																																														
100.	Connect Test DMM HI to RT5. Repeat table in step 97. The test DMM readings should be the same.																																														
101.	Are the Test DMM readings the same?	103	102																																												
102.	Faulty Active Filter module. Go to Figure 4-9.																																														
103.	Faulty A/D Converter. Go to Figure 4-10.																																														

SYMPTOM	POSSIBLE FAILURE
<b>GUARDED SUPPLY</b>	
VA1 – BAD (+15V). Noisy . . . . .	U3, BR2, or Transformer C3, BR2
VA2 – BAD (–15V) Noisy . . . . .	U4, BR2, or Transformer C4, BR2
VA3 – BAD (+30V) Noisy . . . . .	U2, CR4, BR1, Transformer C2, BR1
VA4 – BAD (–30V) Noisy . . . . .	U1, CR3, BR1, Transformer C1, BR2
V <sub>CC</sub> (Guarded) . . . . .	U5, R5, R3, C5, CR1, CR2, Transformer
VA1 and VA2 are used as a reference for VA3 and VA4. VA3 and VA4 could load down VA1 and VA2. Check by lifting the reference diodes CR3 and CR4.	
<b>UNGUARDED SUPPLY</b>	
V <sub>DD</sub> (+12V) . . . . .	U6, C6, C9, C12, BR3, Transformer
V <sub>GG</sub> (–12V) . . . . .	U7, C13, C10, C7, BR3, Transformer
V <sub>CC</sub> (+5V) . . . . .	U8, R6, R4, C8, C13, C11, BR4, Transformer
The drawing below identifies the pins at the power supply edge connector. Input voltages to the regulators should be approximately 5V higher than the normal output voltages. If the output is higher or lower than specified and noise is not the problem, the regulator is bad.	

Figure 4-5. Power Supply Troubleshooting

**NOTE**

*Due to the speed and complexity of the controller, it is recommended that, when a problem is isolated to the controller, the unit be sent to the nearest Service Center for repair. The following information will assist in troubleshooting simpler problems. Many problems require the use of a Trender or similar tester.*

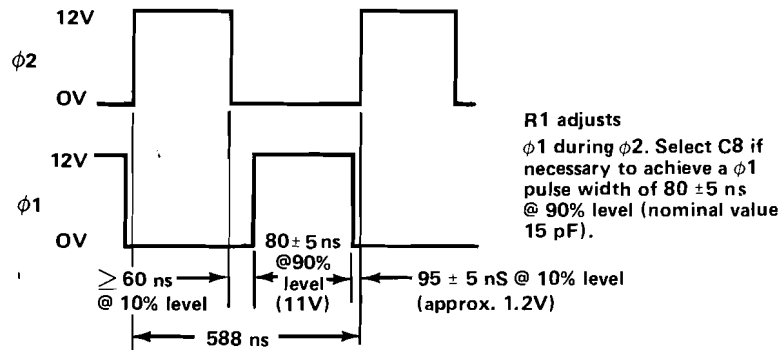
**SYMPTOM**

**POSSIBLE FAILURE**

Troubleshoot the Controller with only the Controller, Front Panel, and Power Supply installed.

Blank Display (most common symptom of controller failure) . . . . . Proceed with checks listed below

1. Check  $\phi 1$  and  $\phi 2$  clock at TP2, TP3



- |                                     |                        |
|-------------------------------------|------------------------|
| $\phi 1$ bad, $\phi 2$ ok . . . . . | U3, U9, U10            |
| $\phi 1$ ok, $\phi 2$ bad . . . . . | U9, U10                |
| $\phi 1, \phi 2$ bad . . . . .      | U3, U9, Y1             |
| $\phi 1$ won't adjust . . . . .     | R1, U3, U9, capacitors |

2. Check RST (reset) line (at U10-12, U35-13)
  - High? Check for 400  $\mu$ sec delay on +5V at U36-13
  - Stuck Low? . . . . . U35, U34, U36, U38

3. Check RDT (ready) line (at U10-23, U1-9)
  - Pulsing – OK
  - Always low . . . . . clock pulse at U1-12 U1, U16, U15, U8–  
check inputs to U8, U18
  - Always high . . . . . ACK interrupt or mark interrupt not  
functioning properly

Figure 4-6. Controller Troubleshooting

SYMPTOM	POSSIBLE FAILURE
<p>4. Check Bus ACK Signal.</p> <p>1-3, display clear; 4-6 new data; 7, switch read</p>	
No pulses on ACK line . . . . .	Mark interrupt circuit (U14-12, U37-3) Phase lock loop (pulses every 2 msec) IC lines output enable (U17-10) IC lines output gates (U29, U37)
ACK always high . . . . .	U38, CR1, C27
5. Check IB OUT (U17-9) – is data going out?	
6. Check A15, WAIT, WR, and DBIN lines . . . . .	U10, ROM enable, ROM decoders, ROM
7. Check address and data lines at U10 for being held high or low all the time.	
8. If MARKS, INT, INTE OK, INT VECTOR (U28, U19, U37) may be bad giving wrong vector information.	
<b>OTHER PROBLEMS</b>	
Won't read switches . . . . .	IC6 bad (no ACK) or bad data in
Displays all modules present (CXXXXX) . . . . .	ACK INT CKT, ACK held high
Wrong display . . . . .	Data bad, IC line always high
Won't respond to external interrupts . . . . .	U17 (INT), U37, U32 (INA) U28, U19, U23 (INT Vector wrong)

Figure 4-6. Controller Troubleshooting (cont)

SYMPTOM	POSSIBLE FAILURE
No ACK Pulse . . . . .	U28, U19 (Address Decoders) U23 (Indirect F/F) U19, U11, Q10 (ACK Circuit)
No Display (ACK Pulse Present) . . . . .	U18 (Kill Circuit)
No Response to Switch Pushes (Display Good) . . . . .	Switch Associated With Function U32, CR1 – CR4 Open
Segment Bad In All LEDs . . . . .	Check Path from Latch to Transistor Drivers to LED Cathodes
One LED Doesn't Light . . . . .	Check Path From Latch To Inverter to Transistor Drivers to LED Anode
Segment or Decimal Missing On Only One LED . . . . .	Bad LED
Display Gives Wrong Numbers, One LED Brighter . . . . .	U11 (Reset to Indirect Address F/F, U23) Address Decoder. (Problem is Indicative of Front Panel Responding to an Invalid Address.)

Figure 4-7. Front Panel Troubleshooting



**SYMPTOM**

**POSSIBLE FAILURE**

DC Inoperative All Ranges . . . . .	Digital Control Logic Q8, Q6, Q7, Open K1, Q1, Q2 Open; Q18, Q19, U3 Bad
Display Blanks . . . . .	U1 or U2
Locks in Overrange . . . . .	U3
Reading Drifts . . . . .	U4; Q14, Q15, Q16 Leaky
Won't Zero . . . . .	U5 or U6
100 mV Range Bad . . . . .	Q31, Q32, Q14
1V and 100V Range Bad . . . . .	Q33, Q34, Q15
100V and 1000V Range Bad . . . . .	K2, Q3, Q4
Random Readings . . . . .	K1 Open, K2 Shorted
Nonlinear Readings . . . . .	Q16, Q15, Q14 Leaky

**ADDRESS AND DATA FIELD**

**ADDRESS**

**IB DATA DURING ADDRESS**

ADDRESS	ID3	ID2	ID1	ID0	
IC4, IC3, IC0 = 1	0	1	1	0	100 mV Range G = 64
	1	0	1	0	1V Range G = 8
	1	1	0	1	10V Range G = 1
	1	0	0	0	100V Range G = ÷8 (÷64 x 8)
	1	1	0	0	100V Range G = ÷64

ID3 - ID4 = Control Amplifier Gain

0	1	= x 64
1	0	= x 8
1	1	= z 1

RT1 inputs controlled as follows for OHMS & ADC

**ADDRESS**

**DATA**

ADDRESS	ID3	ID2	ID1	ID0	
IC4, IC3, IC0 = 1	0	1	0	1	G = x 64
	1	0	0	1	G = x 8
	1	1	0	1	G = x 1

**NOTE**

*If R54–R57, Q18, Q19 or Q22 are replaced it will be necessary to return the module to the factory (attn. PARTS) to be temperature compensated anew.*

Figure 4-8. DC Signal Conditioner Troubleshooting

SYMPTOM	POSSIBLE FAILURE
High Zero Offset . . . . .	Q32, Q25, Q19, Q20 Shorted
DC Inoperative . . . . .	Q18 Open – Q21, Q22, Q23, Q24 Open Q27, U5 Digital Logic
Overrange . . . . .	U5 – Q19, Q20 Shorted
<b>Noisy</b>	
All Ranges	
Either Filter . . . . .	Q25, Q32 Leaky – Q31, U5 Bad
Slow Filter (ON) . . . . .	Q21, Q22 Leaky – U4 Bad
Fast Filter (OFF) . . . . .	Q23, Q24 Leaky – U3 Bad
Nonlinear Readings . . . . .	U5
Display Blanks . . . . .	U1 Or U2

**ADDRESS AND DATA FIELD**

ADDRESS	DATA
IC4, IC3, & IC1 = 1 . . . . .	ID0 = 1 Filter By Pass (Remote Only) ID1 = 1 Z Filter (F.P. Light On) ID2 = 1 Y Filter (F.P. Light Off) ID3 = 1 Filter - Always on except In Ext. Ref. ID4 = 1 Ext. Ref. Lo ID5 = 1 Ext. Ref. Hi

**Adjustment of R14**

1. Short the 8502A input terminals.
2. Short RT6 to RT2 on the Bus Interconnect Monitor.
3. Adjust R14 for a reading of  $\pm .000000 \pm 2$  digits. (This requires that the A/D Converter is working accurately.)

**Selection of R15 or R16.**

If Q27 or U5 have been replaced, R15 and R16 will require reselection if adjustment of R14 does not zero the reading.

1. Only one of R15 and R16 will be installed. Replace whichever is installed with a short.
2. Connect the R15 short to the R16 short.
3. Short RT6 to RT2 on the Bus Interconnect Monitor.
4. Connect the test DMM HI to TP3 and LO to TP1 on the Active Filter module.
5. Select a resistor from the table below according to the measured offset. If the polarity is positive, install the resistor as R16; if negative as R15. (Maximum allowable offset in this step is 5200  $\mu$ V.)

OFFSET ( $\mu$ V)	RESISTOR	FLUKE PART NO.
0-400	None	
401-1200	31.6K	261610
1201-2000	63.4K	235382
2001-2800	97.6K	241380
2801-3600	133.0K	289074
3601-4400	165.0K	376186
4401-5200	205.0K	375931

6. After installing the resistor, adjust R14.

Figure 4-9. Active Filter Troubleshooting

### DIGITAL BOARD

SYMPTOM	POSSIBLE FAILURE
Display Blanks . . . . .	U33, U34, U35 (Affecting ID Lines)
Improper Readings, Inoperative A/D, Nonlinear Readings . . . . .	Check Transistor Array Outputs to J1 and J2 – The Rise and Fall Times of These Switching Pulses Must be $<2 \mu\text{sec}$ .
Flickering Display . . . . .	Autozero Control – U25, U34
Direct Address	
IC 4, 3, & 2 High . . . . .	ID0 = 1 = Reset Counter ID1 = 1 = Auto Zero ID2 = 0 = Buffer Input ID2 = 1 = Remainder Input ID3 = 1 = Channel X (Auto Zero and Remainders 1 and 3) ID3 = 0 = Channel Y (Remainders 2 and 4)
Indirect Address	
IC 2 & 1 High (and Ring Counter Not in C0 Time period, C0 = 0) . . . . .	This Indirect Address allows the ID7 Enable to bring back Polarity Bits to the Controller Module

### ANALOG BOARD

First Check TP5 – Should be switching between + and  $-7V$ . Typical failures in this circuit result in a portion of the switching slope having a slew rate less than  $1V/\mu\text{sec}$ . A glitch at the zero point is normal.

SYMPTOM	POSSIBLE FAILURE
Noisy Readings . . . . .	U1, U2, U3
Nonlinear Ladder . . . . .	U4, Q9, Q10 (Q27)
Ladder Out Of Tolerance . . . . .	FETS Q11 – Q15 or Q17 – Q21
All Digits Wrong . . . . .	U7, Q31, Q32
Reading Locked (Doesn't Respond To Input Change) Or Always Overrange . . . . .	U4, Q9, U1, U2, U3, Q2, Q3
Bad Remainders (Lesser Digits) . . . . .	Q22, U4, U6
No Polarity Bit Returned . . . . .	Q29, Q28
Shifty Readings (Most Or All Digits) . . . . .	Autozero Settling Time Problems U8, Q30 – Q8, Q7

#### NOTE

*If U1, R9, R14-R16, R34, R35, R50-55, R67, Q1-Q3, Q11-Q16, Q25, or Q26 are replaced it will be necessary to return the module to the factory (attn. PARTS) to be temperature compensated anew.*

Figure 4-10. R<sup>2</sup> A/D Converter Troubleshooting

## Section 5

# List of Replaceable Parts

### TABLE OF CONTENTS

TABLE	TITLE	PAGE
5-1	Final Assembly 15 Inch Pack . . . . .	5-3
5-2	A2 Motherboard PCB Assembly . . . . .	5-8
5-3	A3 Bus Interconnect PCB Assembly . . . . .	5-11
5-4	A4 Power Supply PCB Assembly . . . . .	5-12
5-5	A4 Power Supply PCB Assembly . . . . .	5-15
5-6	A5 Power Supply Interconnect Assembly . . . . .	5-18
5-7	A6 Controller Assembly . . . . .	5-20
5-8	A6A1 Controller PCB Assembly . . . . .	5-22
5-9	A6A2 PROM ROM PCB Assembly . . . . .	5-26
5-10	A6 Controller PCB Assembly . . . . .	5-28
5-11	A7 Display PCB Assembly . . . . .	5-32
5-12	A8 DC Signal Conditioner Assembly . . . . .	5-38
5-13	A9 Active Filter PCB Assembly . . . . .	5-42
5-14	A10 Fast R <sup>2</sup> A/D Converter Assembly . . . . .	5-45
5-15	A10A1 A/D Analog PCB Assembly . . . . .	5-47
5-16	A10A2 Fast R <sup>2</sup> A/D Converter Digital PCB Assembly . . . . .	5-51
5-17	Module Case Assembly . . . . .	5-53

## 5-1. INTRODUCTION

5-2. This section contains an illustrated parts breakdown of the mainframe instrument. A parts breakdown for each of the optional modules is contained in the subsection of Section 6 pertaining to the module. Components are listed alpha-numerically by assembly. Both electrical and mechanical components are listed first by reference designation and second by item number. Each listed part is shown in an accompanying illustration.

5-3. Parts lists include the following information:

1. Reference Designation or Item Number.
2. Description of each part.
3. FLUKE Stock Number.
4. Federal Supply Code for Manufacturers. (See Section 7 for Code-to-Name list.)
5. Manufacturer's Part Number or Type.
6. Total Quantity per assembly or component.
7. Recommended Quantity: This entry indicates the recommended number of spare parts necessary to support one to five instruments for a period of two years. This list presumes an availability of common electronic parts at the maintenance site. For maintenance for one year or more at an isolated site, it is recommended that at least one of each assembly in the instrument be stocked. In the case of optional subassemblies, plug-ins, etc., that are not always part of the instrument, or are devi-

ations from the basic instrument model, the REC QTY column lists the recommended quantity of the item in that particular assembly.

## 5-4. HOW TO OBTAIN PARTS

5-5. Components may be ordered directly from the manufacturer by using the manufacturer's part number, or from the John Fluke Mfg. Co., Inc. factory or authorized representative by using the FLUKE STOCK NUMBER. In the event the part you order has been replaced by a new or improved part, the replacement will be accompanied by an explanatory note and installation instructions, if necessary.

5-6. To ensure prompt and efficient handling of your order, include the following information.

1. Quantity.
2. FLUKE Stock Number.
3. Description.
4. Reference Designation or Item Number.
5. Printed Circuit Board Part Number.
6. Instrument Model and Serial Number.

## 5-7. USE CODE EFFECTIVITY LIST

USE  
CODE

SERIAL NUMBER EFFECTIVITY



**CAUTION**

**Indicated devices are subject to damage by static discharge.**

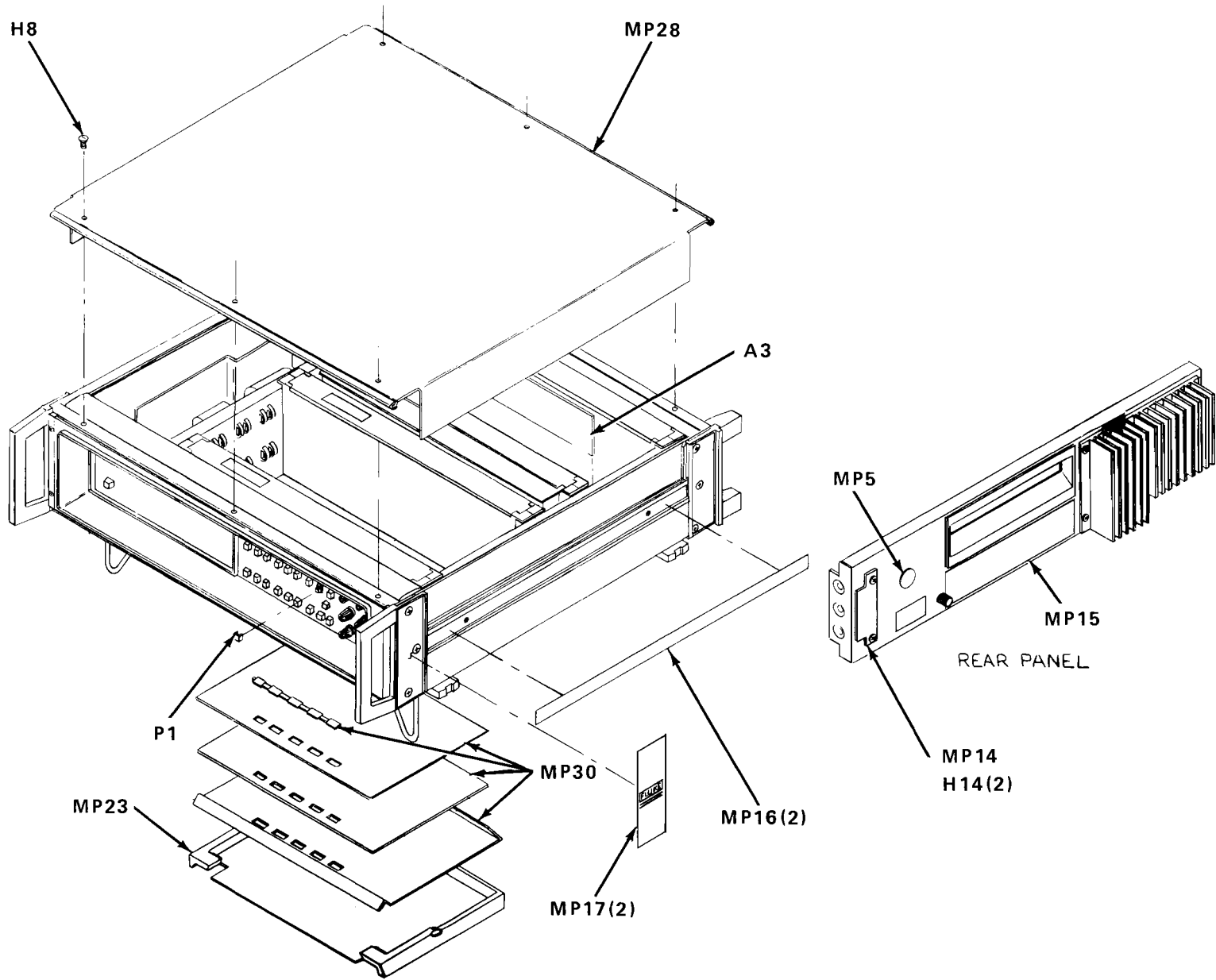
Table 5-1. Final Assembly 15 Inch Pack

REF DES	DESCRIPTION	FLUKE STOCK NO.	MFG SPLY CDDE	MFG PART NO. OR TYPE	TOT QTY	REC QTY	NOTE
	FINAL ASSY, 8502A 15 INCH PACK FIGURE 5-1 (8502A-5001/T&B)						
A2	MOTHER BOARD PCB ASSY	481713	89536	481713	1		
A3	BUS INTERCONNECT PCB ASSY	459636	89536	459636	1		
A4	POWER SUPPLY PCB ASSY	ORDER	FOR	APPROPRIATE SOURCE	1		1
A5	POWER SUPPLY INTERCONNECT ASSY	401760	89536	401760	1		
A6	CONTROLLER ASSY	384024	89536	384024	1		2
A6.	CONTROLLER ASSY	577072	89536	577072	1		
A7	FRONT PANEL ASSY	481689	89536	481689	1		
A8	DC SIGNAL CONDITIONER PCB ASSY	383901	89536	383901	1		
A9	ACTIVE FILTER PCB ASSY	383976	89536	383976	1		
A10	FAST R <sup>2</sup> A/B CONVERTER PCB ASSY	383984	89536	383984	1		
E1	POST, BINDING, HEAD GRNDING	225615	20584	3575	1		
E2	POST, BINDING, GRNDING	225623	20584	3576	1		
H1	NUT, HEX, DOUBLE CHAMFER 1/4-28	110619	89536	110619	1		
H2	NUT, HEX, STOP	110841	89536	110841	1		
H3	SHORTING LINK	190728	83330	21171	3		
H5	SCREW, CAP, LO HEAD SOCKET #8	295105	74445	8-32UNRC	4		
H6	SCREW, FHP, COUNTERSUNK	114116	73734	20254	8		
H7	SCREW, PHP, 4-40 X 1/4	129882	73734	19022	11		
H8	SCREW, FH, UNDERCUT, 6-32 X 1/4	320093	89536	320093	6		
H9	SCREW, PHP, 8-32 X 5/8	293324	73734	23067	2		
H10	SCREW, PHP, SEMS, 6 - 32 X 1/2	177030	89536	177030	9		
H11	SCREW, FHP, COUNTERSINK 8 - 32 X 1/2	114355	73734	18266	3		
H12	WASHER, LOCK, INT TOOTH #8	110320	73734	1305	2		
H13	WASHER, LOCK, INTERNAL 1/4	110817	89536	110817	1		
MP1	BAIL, FULL WIDTH	231407	89536	231407	1		
MP2	BEZEL, I/O	416206	89536	416206	1		
MP3	BRACKET, INNER, CHASSIS LEFT	496372	89536	496372	1		
MP4	BRACKET, INNER, CHASSIS RIGHT	496380	89536	496380	1		
MP5	BUTTON, PLUG	101774	89536	101774	1		
MP6	BUTTON, PWR SWITCH	401646	89536	401646	1		
MP7	CHASSIS ASSY	481275	89536	481275	1		
MP8	CENTER SUPPORT ASSEMBLY	576637	89536	576637	1		
MP10	CORNER, FINISHED	394346	89536	394346	2		
MP11	CORNER, HANDLE	394304	89536	394304	2		
MP12	CONTACT STRIP	370619	30817	97-500-A	AR		
MP13	COVER, BOTTOM BLUE	383265	89536	383265	1		REF
	PUTTY GREY	522722	89536	522722	REF		
MP14	COVER PLATE, INPUT	420679	89536	420679	1		
MP15	DECAL, REAR PANEL	473413	89536	473413	1		
MP16	DECAL, SIDE TRIM, FWD	525980	89536	525980	2		
MP17	DECAL, CORNER	394387	89536	394387	4		
MP18	DECAL, FRONT PANEL	477538	89536	477538	1		
MP19	DECAL, SERIAL NO.	393975	89536	393975	1		
MP20	EXTRUSION, PCB RETAINER	408476	89536	408476	1		
MP21	FOOT, BAIL STAND	292870	89536	292870	4		
MP22	FOOT, REAR PANEL	307363	89536	307363	2		

Table 5-1. Final Assembly 15 Inch Pack (cont)

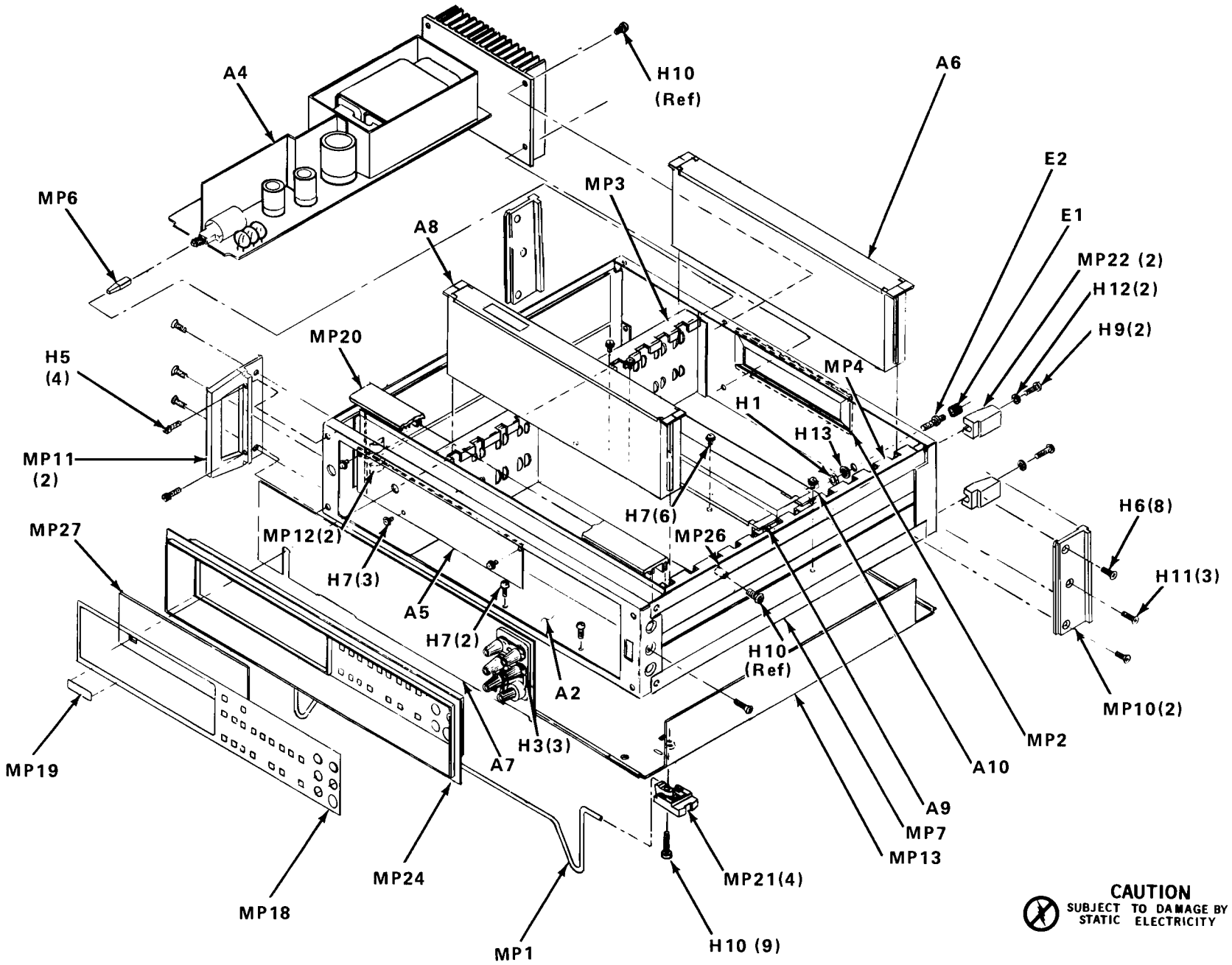
REF DES	DESCRIPTION	FLUKE STOCK NO.	MFG SPLY CODE	MFG PART NO. OR TYPE	TOT QTY	REC QTY	NOTE
MP23	HOLDER, INSTRUCTION BOOK	427534	89536	427534	1		
MP24	INSERT, FRONT PANEL	381871	89536	381871	1		
MP25	INSTRUCTION PAGE ASSY	458281	89536	458281	1		
MP26	STANDOFF, INSULATED	494922	89536	494922	1		
MP27	LENS DISPLAY, SCREENED	485870	89536	485870	1		
MP28	COVER, TOP	522516	89536	522516	1		
F1	PLUG, SWITCH	437855	89536	437855	1		
TM1	INSTRUCTION MANUAL, 8502A	471466	89536	471466	1		
W1	CORD SET (NOT SHOWN)	284174	89536	284174	1		
	RECOMMENDED SPARE PARTS KIT	503599	89536	503599		AR	
	1	EITHER OF THE A4 PCB ASSYS. MAY BE INSTALLED ON THIS UNIT.					
	2	EITHER OF THE A6 PCB ASSYS. MAY BE INSTALLED ON THIS UNIT.					

Figure 5-1. Final Assembly 15 Inch Rack



8502A





**CAUTION**  
 SUBJECT TO DAMAGE BY  
 STATIC ELECTRICITY

8502A-5001

Figure 5-1. Final Assembly 15 Inch Pack (cont)

Scans by ArtekMedia © 2006

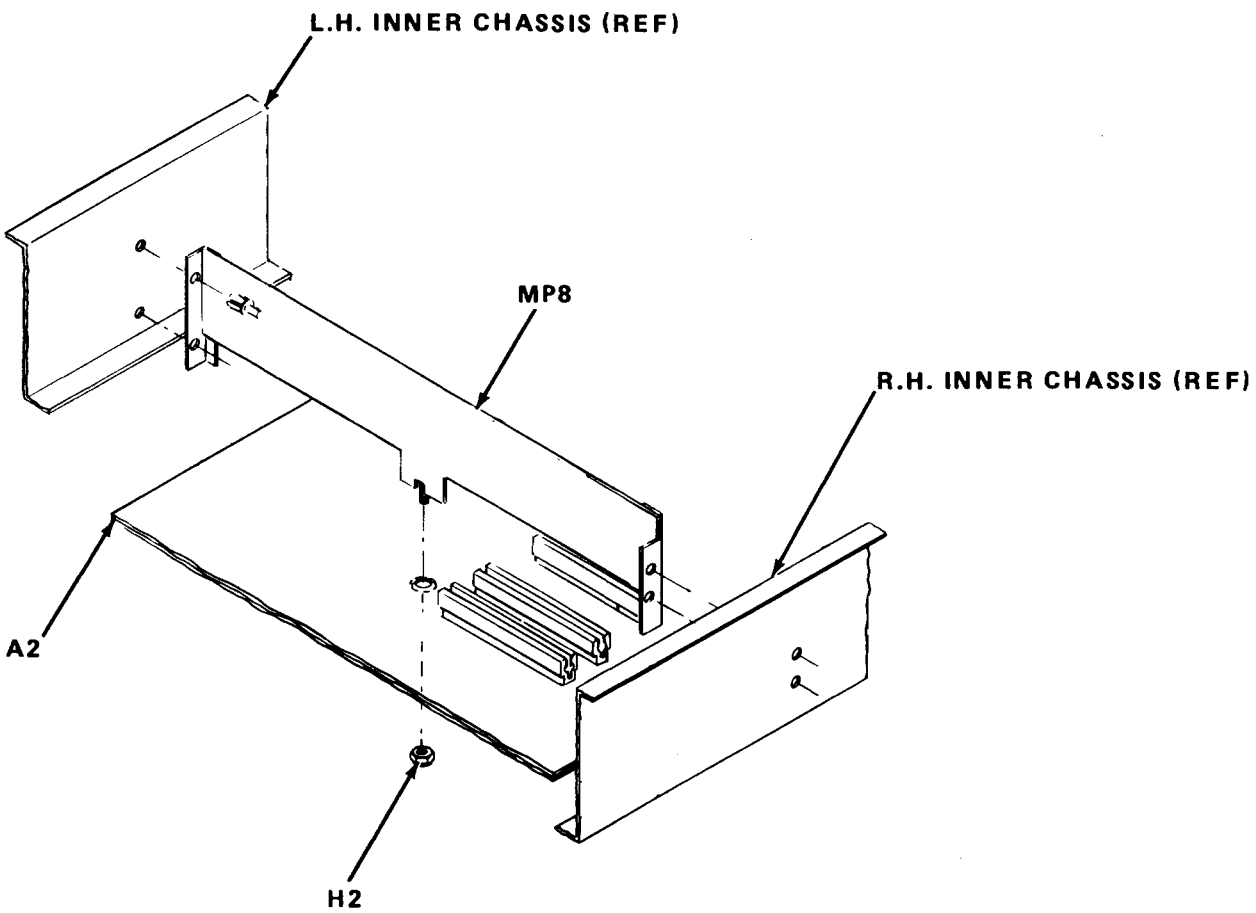


Figure 5-1. Final Assembly 15 Inch Pack (cont)

8502A-5001

 **CAUTION**  
SUBJECT TO DAMAGE BY  
STATIC ELECTRICITY

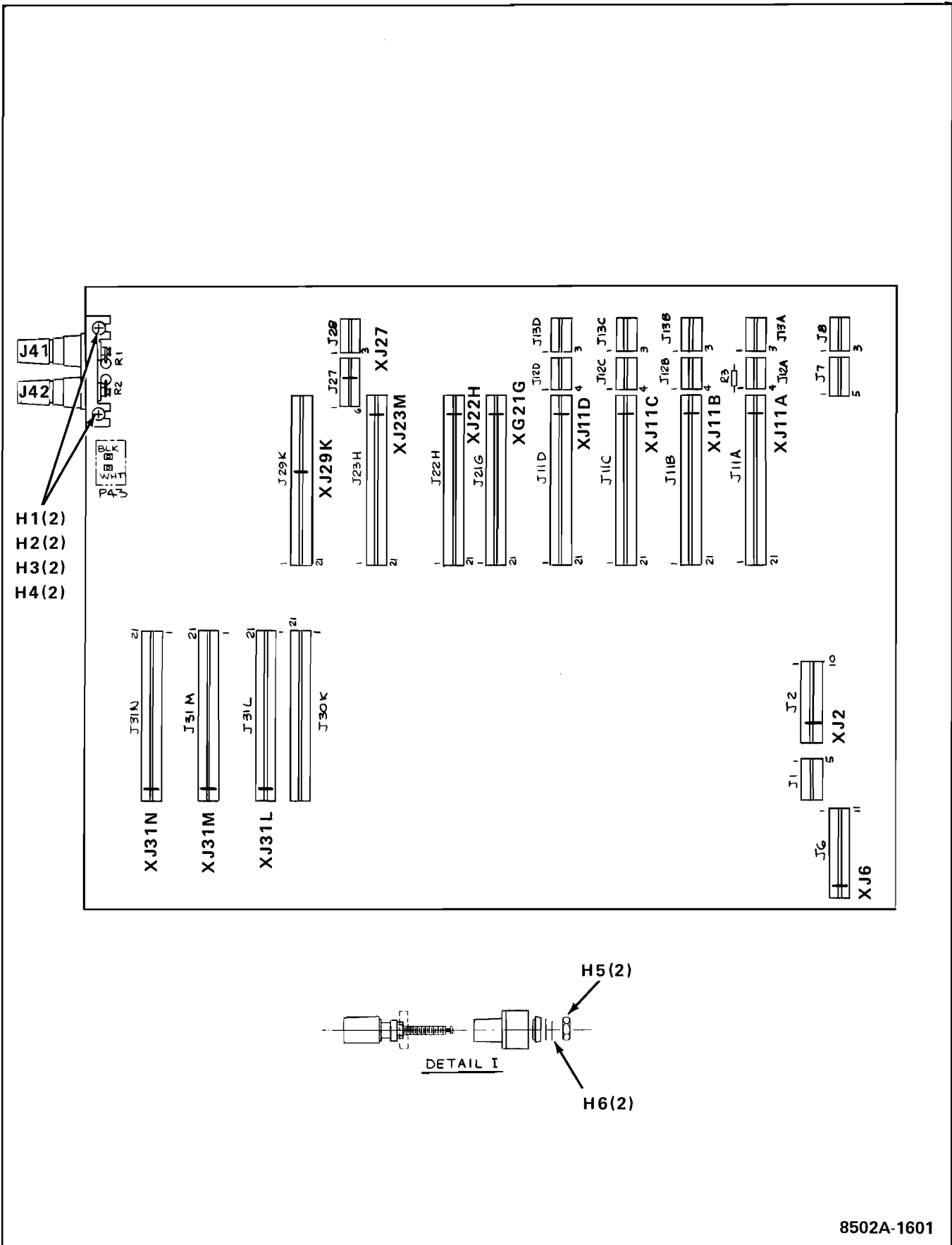
8502A

Table 5-2. A2 Motherboard PCB Assembly

REF DES	DESCRIPTION	FLUKE STOCK NO.	MFG SPLY CODE	MFG PART NO. OR TYPE	TOT QTY	REC QTY	NOTE
A2	MOTHERBOARD PCB ASSEMBLY FIGURE 5-2 (8502A-4001T)	481713	89536	481713		REF	
H1	NUT, HEX DOUBLE CHAMFER 4-40	184044	73734	8002A-NP	2		
H2	SCREW, PHP, 4-40 X 1	157008	73734	19030	2		
H3	WASHER, FLAT #4	146225	86926	5710-18-32	2		
H4	WASHER, LOCK, INT TOOTH	110403	73734	99402	2		
H5	WASHER, FLAT, #8	110270	73734	1406	2		
H6	WASHER, SPLIT, LOCK	403923	89536	403923	2		
J1	CONNECTOR, BD EDGE RECPT, 8 PIN	354951	00779	583407-5	2		
J2	CONNECTOR, BD EDGE RECPT, 18 PIN	291906	00779	583650-3	1		
J6	CONNECTOR, BD EDGE RECPT, 20 PIN	291914	00779	583650-4	1		
J7	CONNECTOR, BD EDGE RECPT, 8 PIN	354951	00779	583407-5	REF		
J8	CONNECTOR, BD EDGE RECPT, 4 PIN	417550	89536	417550	6		
J11A	CONNECTOR, BD EDGE RECPT, 40 PIN	422550	00779	2-583407-0	12		
J11B	CONNECTOR, BD EDGE RECPT, 40 PIN	422550	00779	2-583407-0	REF		
J11C	CONNECTOR, BD EDGE RECPT, 40 PIN	422550	00779	2-583407-0	REF		
J11D	CONNECTOR, BD EDGE RECPT, 40 PIN	422550	00779	2-583407-0	REF		
J12A	CONNECTOR, BD EDGE RECPT, 6 PIN	291625	00779	583650-1	4		
J12B	CONNECTOR, BD EDGE RECPT, 6 PIN	291625	00779	583650-1	REF		
J12C	CONNECTOR, BD EDGE RECPT, 6 PIN	291625	00779	583650-1	REF		
J12D	CONNECTOR, BD EDGE RECPT, 6 PIN	291625	00779	583650-1	REF		
J21G	CONNECTOR, BD EDGE RECPT, 40 PIN	422550	00779	2-583407-0	REF		
J22H	CONNECTOR, BD EDGE RECPT, 40 PIN	422550	00779	2-583407-0	REF		
J23H	CONNECTOR, BD EDGE RECPT, 40 PIN	422550	00779	2-583407-0	REF		
J27	CONNECTOR, BD EDGE RECPT, 10 PIN	403964	00779	583407-6	1		
J28	CONNECTOR, BD EDGE RECPT, 4 PIN	417550	89536	417550	REF		
J29K	CONNECTOR, BD EDGE RECPT, 40 PIN	422550	00779	2-583407-0	REF		
J30K	CONNECTOR, BD EDGE RECPT, 40 PIN	422550	00779	2-583407-0	REF		
J31A	CONNECTOR, BD EDGE RECPT, 4 PIN	417550	89536	417550	REF		
J31B	CONNECTOR, BD EDGE RECPT, 4 PIN	417550	89536	417550	REF		
J31C	CONNECTOR, BD EDGE RECPT, 4 PIN	417550	89536	417550	REF		
J31D	CONNECTOR, BD EDGE RECPT, 4 PIN	417550	89536	417550	REF		
J31L	CONNECTOR, BD EDGE RECPT, 40 PIN	422550	00779	2-583407-0	REF		
J31M	CONNECTOR, BD EDGE RECPT, 40 PIN	422550	00779	2-583407-0	REF		
J31N	CONNECTOR, BD EDGE RECPT, 40 PIN	422550	00779	2-583407-0	REF		
J41	BINDING POST, BLK	493973	32767	820-45	1		
J42	BINDING POST, RED	493981	32767	820-65	1		
MP1	TERMINAL BLOCK	419663	89536	419663	1		
P43	AMP POST	267500	00779	87022-1	2		
R1	RESISTOR, MF, 1/2W, 30.9K	247569	91637	MFF1-23092F	2		
R2	RESISTOR, MF, 1/2W, 30.9K	247569	91637	MFF1-23092F	REF		
R3	RES, DEP CAR, 1K +/-5%, 1/4W	343426	80031	CR251-4-5P1K	1		
XJ2	POLARIZING INSERT	293498	00779	530030-1	14		
XJ6	POLARIZING INSERT	293498	00779	530030-1	REF		
XJ11A	POLARIZING INSERT	293498	00779	530030-1	REF		
XJ11B	POLARIZING INSERT	293498	00779	530030-1	REF		
XJ11C	POLARIZING INSERT	293498	00779	530030-1	REF		
XJ11D	POLARIZING INSERT	293498	00779	530030-1	REF		
XJ21G	POLARIZING INSERT	293498	00779	530030-1	REF		

Table 5-2. A2 Motherboard PCB Assembly (cont)

REF DES	DESCRIPTION	FLUKE STOCK NO.	MFG SPLY CODE	MFG PART NO. OR TYPE	TOT QTY	REC QTY	N O T E
XJ22H	POLARIZING INSERT	293498	00779	530030-1			REF
XJ23H	POLARIZING INSERT	293498	00779	530030-1			REF
XJ27	POLARIZING INSERT	293498	00779	530030-1			REF
XJ29K	POLARIZING INSERT	293498	00779	530030-1			REF
XJ31L	POLARIZING INSERT	293498	00779	530030-1			REF
XJ31M	POLARIZING INSERT	293498	00779	530030-1			REF
XJ31N	POLARIZING INSERT	293498	00779	530030-1			REF

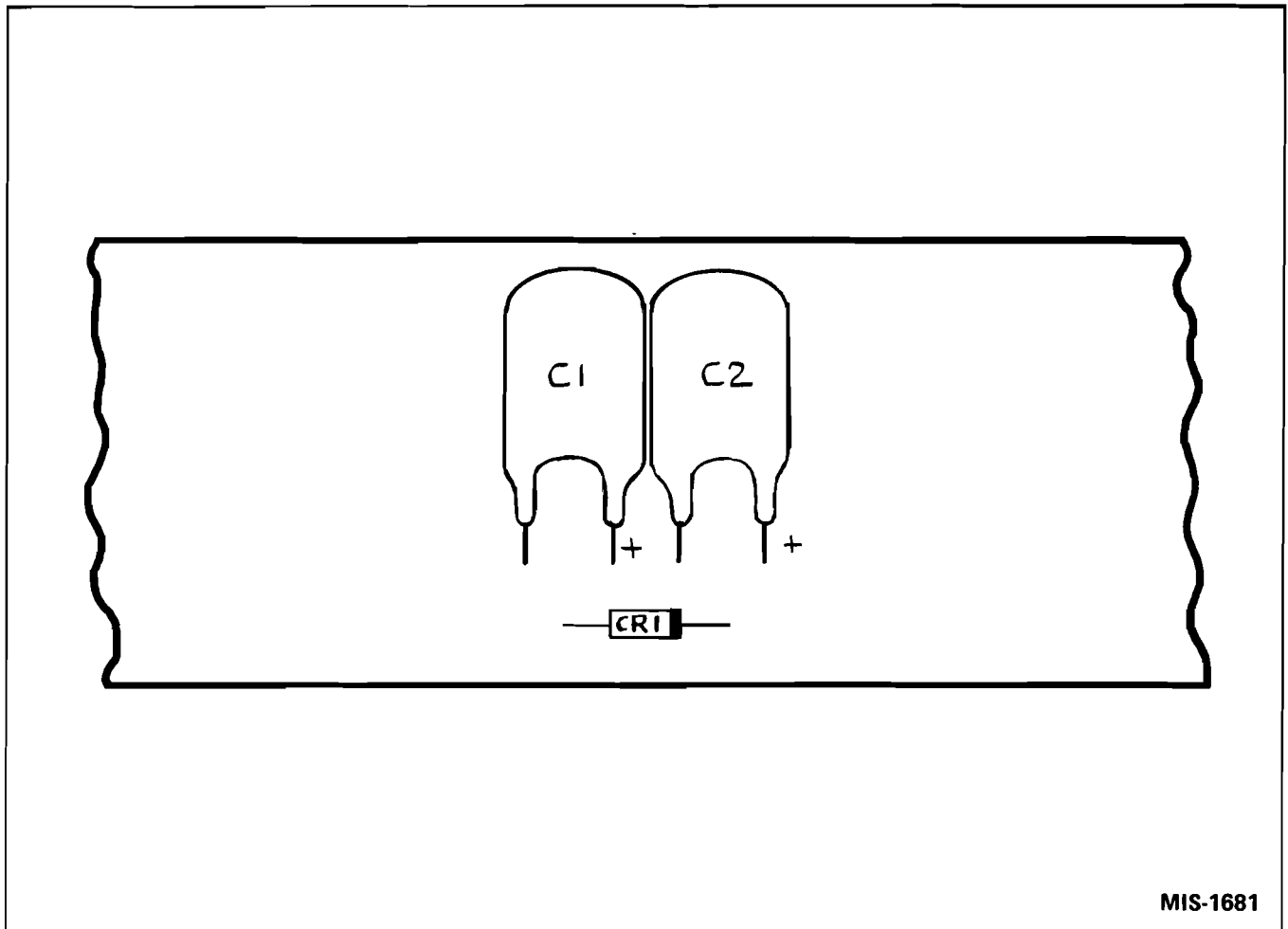


8502A-1601

Figure 5-2. A2 Motherboard PCB Assembly

Table 5-3. A3 Bus Interconnect PCB Assembly

REF DES	DESCRIPTION	FLUKE STOCK NO.	MFG SPLY CODE	MFG PART NO. OR TYPE	TOT QTY	REC QTY	NOTE
A3	BUS INTERCONNECT PCB ASSEMBLY FIGURE 5-3 (MIS-4081)	459636	89536	459636		REF	
C1	CAP, TA, 220 UF +/-20%, 6V	408682	56289	196D227X0006TE4	2		
C2	CAP, TA, 220 UF +/-20%, 6V	408682	56289	196D227X0006TE4	REF		
CR1	DIODE, SI, RECT, 1 AMP	343491	01295	1N4002	1	1	



MIS-1681

Figure 5-3. A3 Bus Interconnect PCB Assembly

Table 5-4. A4 Power Supply PCB Assembly

REF DES	DESCRIPTION	FLUKE STOCK NO.	MFG SPLY CODE	MFG PART NO. OR TYPE	TOT QTY	REC QTY	NOTE
A4	POWER SUPPLY PCB ASSEMBLY POWER SUPPLY ASSY, 115/230V POWER SUPPLY ASSY, 100V FIGURE 5-4 (8500A-4041T)	ORDER 448886 456996	FOR 89536 89536	APPROPRIATE SOURCE 448886 456996	REF		1
BR1	BRIDGE, RECTIFIER	296509	09423	FB200	3		1
BR2	BRIDGE, RECTIFIER	296509	09423	FB200	REF		
BR3	BRIDGE, RECTIFIER	296509	09423	FB200	REF		
BR4	BRIDGE, RECTIFIER	428839	09713	MDA970-1	1		1
C1	CAP, ELECT, 470 UF -10/+50%, 40V	185868	73445	ET471Z040-A02	2		1
C2	CAP, ELECT, 470 UF -10/+50%, 40V	185868	73445	ET471Z040-A02	REF		
C3	CAP, ELECT, 220 UF -10/+50%, 40V	178616	80031	ET221X040-A01	2		
C4	CAP, ELECT, 220 UF -10/+50%, 40V	178616	80031	ET221X040-A01	REF		
C5	CAP, ELECT, 2200 UF -10/+100%, 25V	448126	12674	61C25BAS-252	2		1
C6	CAP, ELECT, 4000 UF -10/+100%, 25	370734	99372	3044TS043U025	1		1
C7	CAP, ELECT, 2200 UF -10/+100%, 25V	448126	12674	61C25BAS-252	REF		
C8	CAP, ELECT, 15000 UF -10/+100%, 15V	407940	99372	3044HA1534015	1		1
C9	CAP, TA, 5.6 UF +/-20%, 25V	368969	56289	196D565X-0025KA1	4		
C10	CAP, TA, 5.6 UF +/-20%, 25V	368969	56289	196D565X-0025KA1	REF		
C11	CAP, TA, 5.6 UF +/-20%, 25V	368969	56289	196D565X-0025KA1	REF		
C12	CAP, CER, 0.1 UF +/-20%, 100V	149146	56289	33C41B6	3		
C13	CAP, CER, 0.1 UF +/-20%, 100V	149146	56289	33C41B6	REF		
C14	CAP, CER, 0.1 UF +/-20%, 100V	149146	56289	33C41B6	REF		
C15	CAP, CER, 0.005 +/-20%, 3KV	188003	71590	2DDH6R502M	2		
C16	CAP, CER, 0.005 +/-20%, 3KV	188003	71590	2DDH6R502M	REF		
C17	CAP, TA, 5.6 UF +/-20%, 25V	368969	56289	196D565X-0025KA1	REF		
CR1	DIODE, RECT, SI, 50V	347559	05277	1N5400	3		1
CR2	DIODE, RECT, SI, 50V	347559	05277	1N5400	REF		
CR3	DIODE, RECT, SI, 100V	343491	01295	1N4002	2		1
CR4	DIODE, RECT, SI, 100V	343491	01295	1N4002	REF		
CR5	DIODE, RECT, SI, 50V	347559	05277	1N5400	REF		
F1	FUSE, SLO BLO, 1/2 AMP	109322	71400	MDL1-2	1		5
H1	SCREW, PHP, 4-40 X 5/8	145813	89536	145813	2		
H2	SCREW, PHP, 8-32 X 3/8	436030	89536	436030	2		
H3	NUT, HEX, 8-32	110544	89536	110544	2		
H4	WASHER, INT/LOCK, #8	110320	89536	110320	2		
H5	SCREW, RHP, 8-32 X 3/8	114124	89536	114124	2		
H6	SCREW, PHP, 4-40 X 1/4 (NOT SHOWN)	129890	89536	129890	1		
H7	SCREW, PHP, 2-56 X 3/4	196840	89536	196840	1		
H8	SCREW, PHP, 4-40 X 1/2 (NOT SHOWN)	152132	89536	152132	2		
H9	SCREW, PHP, 4-40 X 3/8 (NOT SHOWN)	152124	89536	152124	2		
H10	WASHER, FLAT (NOT SHOWN)	110775	89536	110775	3		
H11	NUT, HEX, 4-40 (NOT SHOWN)	184044	89536	184044	8		
H12	WASHER, INT/LOCK #4 (NOT SHOWN)	110403	89536	110403	5		
H13	WASHER, SHOULDER (NOT SHOWN)	436386	86928	5607-45	5		
J1	CONNECTOR, POWER RECEPTACLE	284166	82389	EAC301	1		
MP1	DECAL (NOT SHOWN)	386250	89536	386250	1		
MP2	EXTRUSION (NOT SHOWN)	416974	89536	416974	1		
MP3	FERRITE CORE (NOT SHOWN)	420588	89536	420588	1		
MP4	INSULATOR, POWER SWITCH (NOT SHOWN)	383158	89536	383158	1		

Table 5-4. A4 Power Supply PCB Assembly (cont)

REF DES	DESCRIPTION	FLUKE STOCK NO.	MFG SPLY CODE	MFG PART NO. OR TYPE	TOT QTY	REC QTY	N O T E
MP5	INSULATOR, SEMICONDUCTOR MTG (NOT SHOWN)	508630	55285	7403-09-FR-51	5		
MP6	INSULATOR GASKET (NOT SHOWN)	436824	89536	436824	1		
MP7	HEATSINK (NOT SHOWN)	386235	13103	6032D	1		
MP8	HEAT DISSIPATOR (U1,U2) NOT SHOWN	414128	13103	6030B-TT	2		
MP9	NUTPLATE (NOT SHOWN)	420448	89536	420448	1		
MP10	BRACKET	166322	73734	1552	2		
MP11	LUG, SOLDER	102558	79963	124	1		
MP12	SHIELD ASSEMBLY	450502	89536	450502	1		
MP13	SCREW, CAPTIVE, 4-40 X 1/2 (NOT SHOWN)	293316	24347	FH-440-8	1		
R1	RES, DEP. CAR, 3.3K +/-5%, 1/4W	348813	80031	CR251-4-5P3K3	2		
R2	RES, DEP. CAR, 3.3K +/-5%, 1/4W	348813	80031	CR251-4-5P3K3		REF	
R3	RES, DEP. CAR, 390 +/-5%, 1/4W	441543	80031	CR251-4-5P390E	2		
R4	RES, DEP. CAR, 390 +/-5%, 1/4W	441543	80031	CR251-4-5P390E		REF	
R5	RES, VAR, CERMET, 50 +/-20%, 1/2W	320861	02111	62-1-1-500	2		1
R6	RES, VAR, CERMET, 50 +/-20%, 1/2W	320861	02111	62-1-1-500		REF	
R7	RES, DEP. CAR, 240 +/-5%, 1/4W	376624	80031	CR251-4-5P240E	1		
R8	RES, DEP. CAR, 2K +/-5%, 1/4W	441493	80031	CR251-4-5P2K	1		
R9	RES, VAR, CERMET 500 +/-20%, 1/2W	226068	02111	62-1-1-501	1		1
S1	SWITCH, SLIDE, DPDT (115/230V)	376798	82389	11A1437	1		1
S2	SWITCH, POWER, DPDT	291526	89536	291526	1		1
T1	TRANSFORMER HEADER ASSEMBLY 115/230V 100V	ORDER 450403 456350	FOR 89536 89536	APPROPRIATE SOURCE 450403 456350	1		
U1	IC, LIN, VOL REG	413187	04713	MC7815CP	2		1
U2	IC, LIN, NEG, VOL REG	413179	04713	MC7915CP	2		1
U3	IC, LIN, ADJ VOLT REGULATOR	460410	12040	LM317T	1		1
U4	IC, LIN, NEG, VOL REG	413179	04713	MC7915CP		REF	
U5	IC, LIN, VOL REG	355107	04713	MC7805CP	1		1
U6	IC, LIN, VOL REG	428854	04713	MC7812CP	1		1
U7	IC, LIN, NEG, VOL REG	381665	04713	MC7912CP	1		1
U8	IC, LIN, VOL REG	428847	04713	MC7805CP	1		1
XF1	FUSEHOLDER	435628	89536	435628			
XU4	SOCKET, IC (NOT SHOWN)	402958	27264	10-18-2031	3		
XU5	SOCKET, IC (NOT SHOWN)	402958	27264	10-18-2031		REF	
XU6	SOCKET, IC (NOT SHOWN)	402958	27264	10-18-2031		REF	

1 EITHER OF THE A4 PCB ASSYS. MAY BE  
INSTALLED IN THIS UNIT.



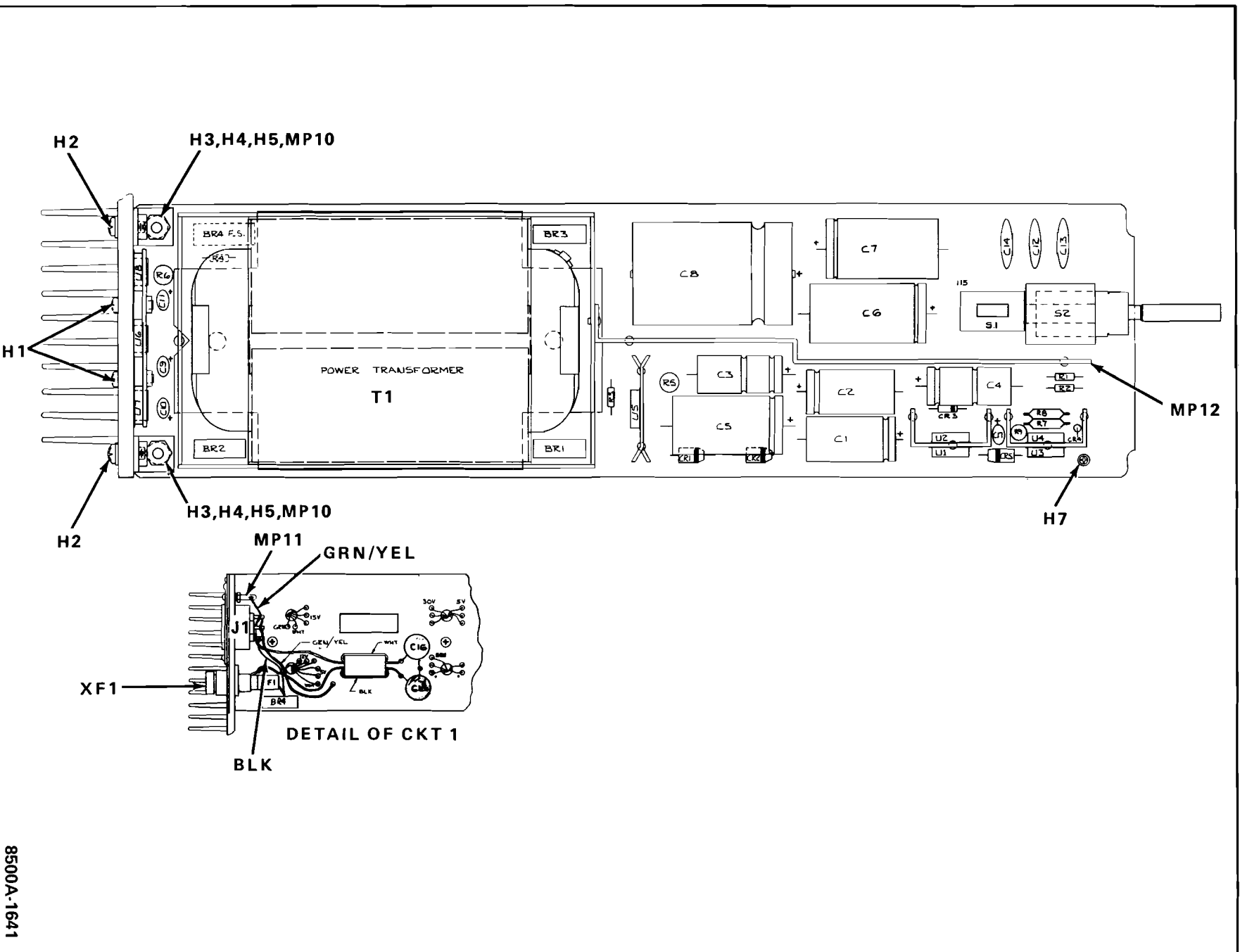


Figure 5-4. A4 Power Supply PCB Assembly

8500A-1641

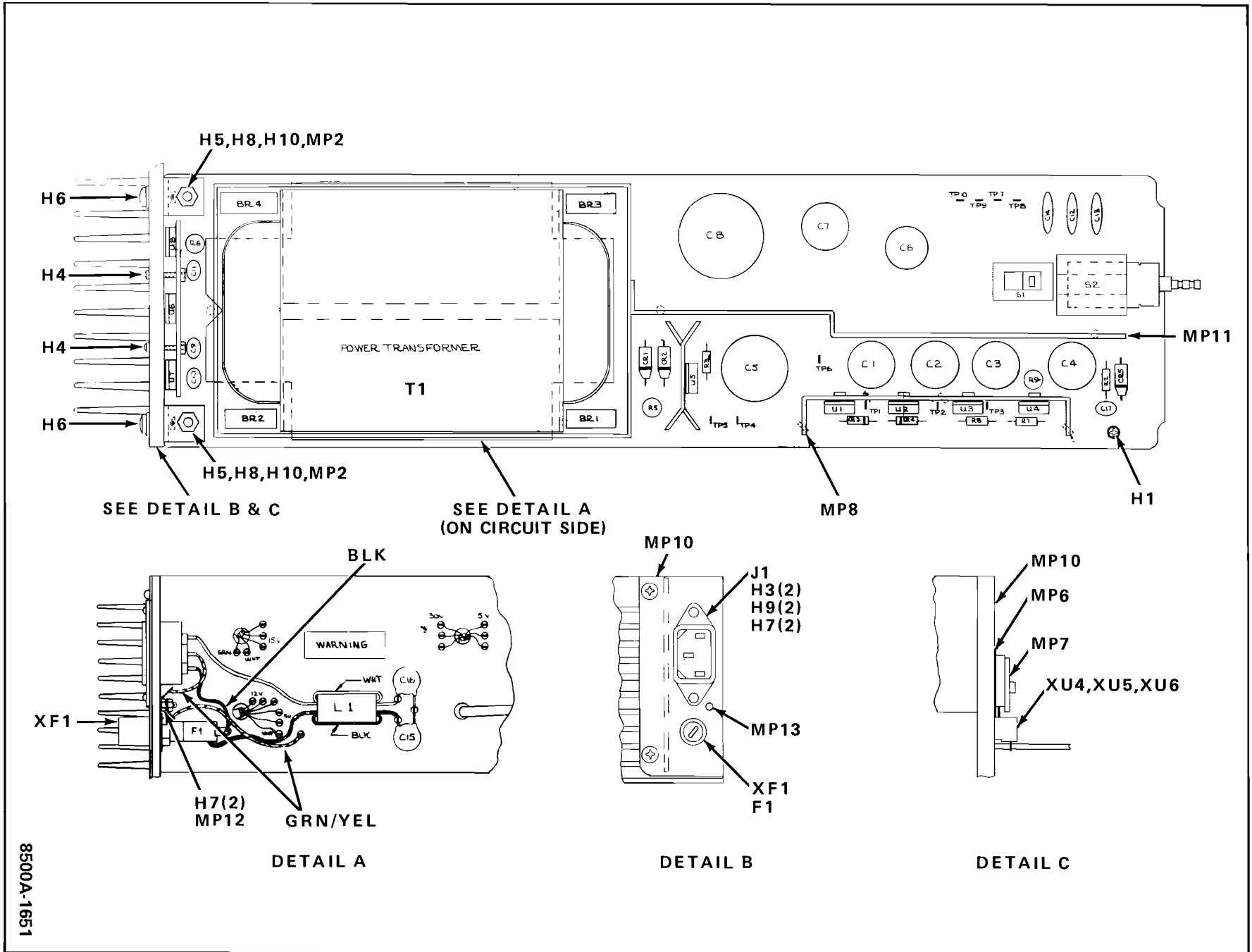
Table 5-5. A4 Power Supply PCB Assembly

REF DES	DESCRIPTION	FLUKE STOCK NO.	MFG SPLY CODE	MFG PART NO. OR TYPE	TOT QTY	REC QTY	NOTE
A4	POWER SUPPLY PCB ASSEMBLY POWER SUPPLY ASSY, 115/230V MODEL POWER SUPPLY ASSY, 100V MODEL FIGURE 5-5 (8500A-4051T)	ORDER 608638 456988	FOR 89536 89536	APPROPRIATE SOURCE 608638 456988	REF		1
BR1	BRIDGE, RECTIFIER	296509	09423	FB200	3	1	
BR2	BRIDGE, RECTIFIER	296509	09423	FB200	REF		
BR3	BRIDGE, RECTIFIER	296509	09423	FB200	REF		
BR4	BRIDGE, RECTIFIER	586115	14936	KBL 005	1		
C1	CAP, ELECT, 470 UF -10/+50%, 50V	478792	89536	478792	4		
C2	CAP, ELECT, 470 UF -10/+50%, 50V	478792	89536	478792	REF		
C3	CAP, ELECT, 330 UF -10/+25%, 50V	484436	89536	484436	2		
C4	CAP, ELECT, 330 UF -10/+25%, 50V	484436	89536	484436	REF		
C5	CAP, ELECT, 3300 UF -10/+100%, 25V	603472	89536	603472	1		
C6	CAP, ELECT, 470 UF -10/+50%, 50V	478792	89536	478792	REF		
C7	CAP, ELECT, 470 UF -10/+50%, 50V	478792	89536	478792	REF		
C8	CAP, ELECT, 15000 UF -10/+100%, 15V	603480	89536	603480	1		
C9	CAP, TA, 5.6UF +/-20%, 25V	368969	56289	196D565X-0025KA1	4		
C10	CAP, TA, 5.6UF +/-20%, 25V	368969	56289	196D565X-0025KA1	REF		
C11	CAP, TA, 5.6UF +/-20%, 25V	368969	56289	196D565X-0025KA1	REF		
C12	CAP, CER, 0.1UF +/-20%, 100V	149146	56289	33C41B6	3		
C13	CAP, CER, 0.1UF +/-20%, 100V	149146	56289	33C41B6	REF		
C14	CAP, CER, 0.1UF +/-20%, 100V	149146	56289	33C41B6	REF		
C15	CAP, CER, 0.005 +/-20%, 3KV	485839	89536	485839	2		
C16	CAP, CER, 0.005 +/-20%, 3KV	485839	89536	485839	REF		
C17	CAP, TA, 5.6UF +/-20%, 25V	368969	56289	196D565X-0025KA1	REF		
CR1	DIODE, RECT, SI, 50V	347559	05277	1N5400	3	1	
CR2	DIODE, RECT, SI, 50V	347559	05277	1N5400	REF		
CR3	DIODE, RECT, SI, 100V	343491	14099	SI-1	2	1	
CR4	DIODE, RECT, SI, 100V	343491	01295	1N4002	REF		
CR5	DIODE, RECT, SI, 50V	347559	05277	1N5400	REF		
F1	FUSE, SLO BLO, 1/2 AMP	109322	71400	MDL1-2	1	5	
H1	SCREW, PHP, 2-56 X 3/4	196840	89536	196840	2		
H2	SCREW, P[HP, 4-40 X 1/4 (NOT SHOWN)	129890	89536	129890	5		
H3	SCREW, PHP, 4-40 X 1/2	152132	89536	152132	2		
H4	SCREW, PHP, 4-40 X 5/8	145813	89536	145813	2		
H5	SCREW, PHP, 8-32 X 3/8	114124	89536	114124	2		
H6	SCREW, PHP, 8-32 X 3/8	436030	89536	436030	2		
H7	NUT, HEX, 4-40	184044	89536	184044	8		
H8	NUT, HEX, #8	110544	89536	110544	2		
H9	WASHER, LOCK #4	110403	89536	110403	5		
H10	WASHER, LOCK #8	110320	89536	110320	2		
H11	WASHER, SHOULDER (NOT SHOWN)	436386	89536	436386	5		
H12	WASHER, FLAT #2 (NOT SHOWN)	110775	89536	110775	3		
J1	CONNECTOR, POWER RECEPTACLE	284166	82389	EAC301	1		
MP1	DECAL (NOT SHOWN)	386250	89536	386250	1		
MP2	BRACKET	166322	73734	1552	1		
MP3	FERRITE CORE (NOT SHOWN)	420588	89536	420588	1		
MP4	INSULATOR, POWER SWITCH (NOT SHOWN)	383158	89536	383158	1		
MP5	INSULATOR, SEMICONDUCTOR MTG (NOT SHOWN)	508630	55285	7403-09-FR-51	5		

Table 5-5. A4 Power Supply PCB Assembly (cont)

REF DES	DESCRIPTION	FLUKE STOCK NO.	MFG SPLY CODE	MFG PART NO. OR TYPE	TOT QTY	REC QTY	NOTE
MP6	INSULATOR GASKET (NOT SHOWN)	436824	89536	436824	1		
MP7	NUTPLATE	420448	89536	420448	1		
MP8	HEATSINK	608752	89536	608752	1		
MP9	HEATSINK (NOT SHOWN)	386235	13103	6032D	1		
MP10	HEATSINK	416974	89536	416974	1		
MP11	SHIELD ASSEMBLY	450502	89536	450502	1		
MP12	LUG, SOLDER	102558	79963	124	2		
MP13	STUD, 4-40 X 1/2	293316	89536	293316	1		
R1	RES, DEP. CAR, 3.3K +/-5%, 1/4W	348813	80031	CR251-4-5P3K3	1		
R3	RES, DEP. CAR, 490 +/-5%, 1/4W	441543	80031	CR251-4-5P490E	2		
R4	RES, DEP. CAR, 490 +/-5%, 1/4W	441543	80031	CR251-4-5P490E	REF		
R5	RES, VAR, CERMET, 50 +/-20%, 1/2W	320861	02111	62-1-1-500	2	1	
R6	RES, VAR, CERMET, 50 +/-20%, 1/2W	320861	02111	62-1-1-500	REF		
R7	RES, DEP. CAR, 240 +/-5%, 1/4W	376624	80031	CR251-4-5P240E	1		
R8	RES, DEP. CAR, 2.4K +/-5%, 1/4W	441493	80031	CR251-4-5P2K4	1		
R9	RES, VAR, 500 +/-20%, 1/2W	226068	19701	501	1	1	
S1	SWITCH, SLIDE, DPDT (115/230V)	376798	82389	11A1437	1	1	
S2	SWITCH, POWER	291526	89536	291526	1	1	
T1	TRANSFORMER HEADER ASSEMBLY 115/230V	ORDER 450403	FOR 89536	APPROPRIATE SOURCE 450403	1		
	100V	456350	89536	456350			
TP1	CONNECTOR, FASTON TAP	512889	00779	62395-1	10		
TP2	CONNECTOR, FASTON TAP	512889	00779	62395-1	REF		
TP3	CONNECTOR, FASTON TAP	512889	00779	62395-1	REF		
TP4	CONNECTOR, FASTON TAP	512889	00779	62395-1	REF		
TP5	CONNECTOR, FASTON TAP	512889	00779	62395-1	REF		
TP6	CONNECTOR, FASTON TAP	512889	00779	62395-1	REF		
TP7	CONNECTOR, FASTON TAP	512889	00779	62395-1	REF		
TP8	CONNECTOR, FASTON TAP	512889	00779	62395-1	REF		
TP9	CONNECTOR, FASTON TAP	512889	00779	62395-1	REF		
TP10	CONNECTOR, FASTON TAP	512889	00779	62395-1	REF		
U1	IC, LIN, VOL REG	413187	04713	MC7815CP	2	1	
U2	IC, LIN, NEG, VOL REG	413179	04713	MC7915CP	2	1	
U3	IC, LIN, ADJ VOLT REGULATOR	460410	12040	LM317T	1	1	
U4	IC, LIN, NEG, VOL REG	413179	04713	MC7915CP	REF		
U5	IC, LIN, VOL REG	355107	04713	MC7805CP	1	1	
U6	IC, LIN, VOL REG	428854	04713	MC7812CP	1	1	
U7	IC, LIN, NEG, VOL REG	381665	04713	MC7912CP	1	1	
U8	IC, LIN, VOL REG	428847	04713	MC7805CP	1	1	
XF1	FUSEHOLDER, W/NUT	375188	89536	375188	1		
	FUSE CAP	460238	89536	460238	1		
XU4	SOCKET, IC	402958	27264	10-18-2031	3		
XU5	SOCKET, IC	402958	27264	10-18-2031	REF		
XU6	SOCKET, IC	402958	27264	10-18-2031	REF		
1	EITHER OF THE A4 PCB ASSYS. MAY BE INSTALLED IN THIS UNIT.						

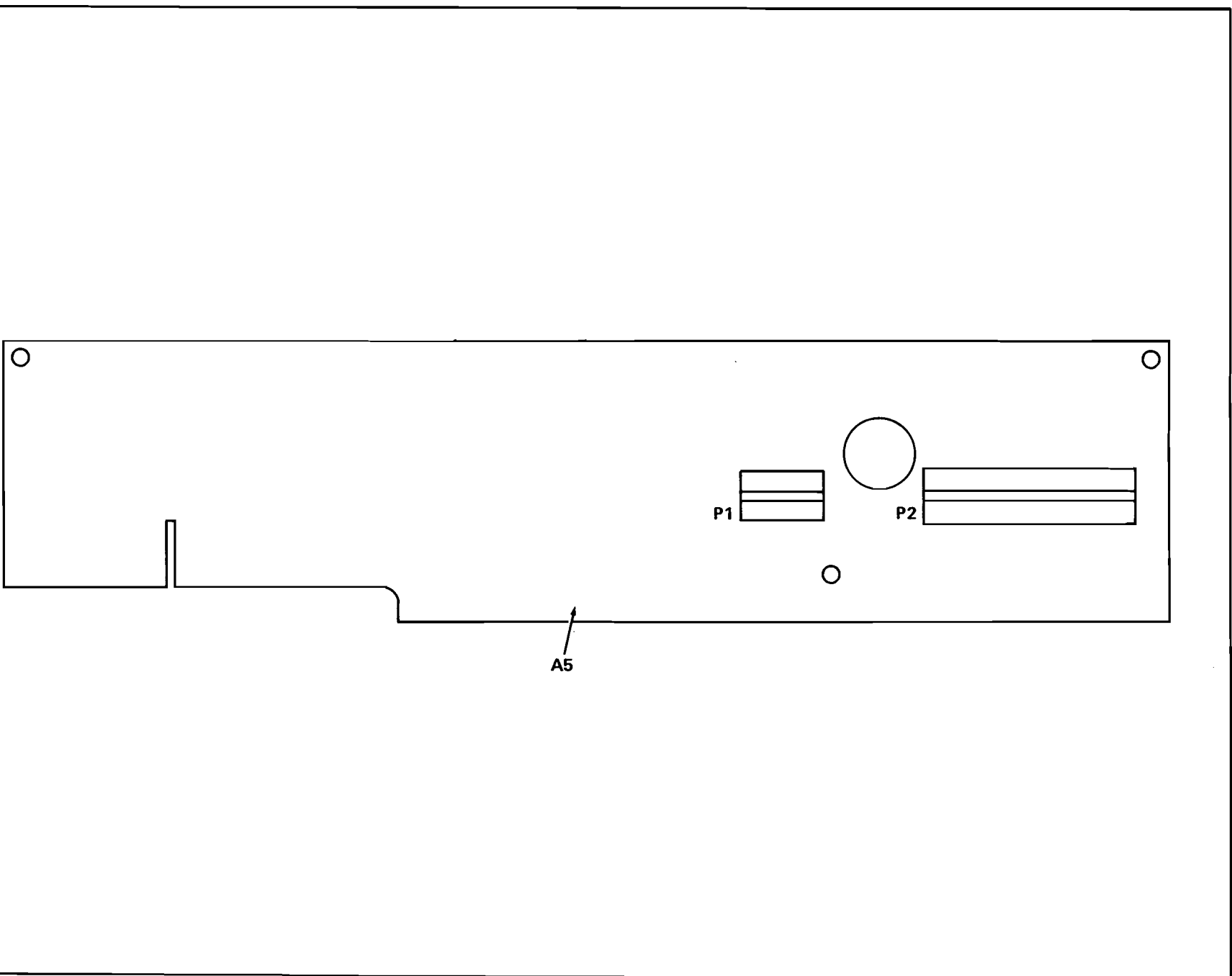
Figure 5-5. A4 Power Supply Assembly



8500A-1651

Table 5-6. A5 Power Supply Interconnect Assembly

REF DES	DESCRIPTION	FLUKE STOCK NO.	MFG SPLY CODE	MFG PART NO. OR TYPE	TOT QTY	REC QTY	NOTE
A5	POWER SUPPLY 8502A INTERCONNECT ASSY FIGURE 5-6 (8500A-4032)	401760	89536	401760		REF	
P1	CONNECTOR, BD EDGE, RECPT	291625	00779	583650-1		1	
P2	CONNECTOR, BD EDGE, RECPT	352682	00779	583694-2		1	



8500A-4032

Figure 5-6. A5 Power Supply Interconnect Assembly

Table 5-7. A6 Controller Assembly

REF DES	DESCRIPTION	FLUKE STOCK NO.	MFG SPLY CODE	MFG PART NO. OR TYPE	TOT QTY	REC QTY	NOTE
A6	⊗ CONTROLLER ASSEMBLY FIGURE 5-7 (8502A-4185T)	384024	89536	384024	REF		1
A6A1	CONTROLLER PCB ASSEMBLY (8502A-4185)	471318	89536	471318	1		
A6A2	PROM ROM PCB ASSEMBLY (8502A-4088T)	458141	89536	458141	1		
MP1	CASE, ASSY (INCLUDES MP2-MP9)	471326	89536	471326	1		2
MP2	CASE, HALF, MODULE	402990	89536	402990	REF		
MP3	CASE, HALF, MODULE	402990	89536	402990	REF		
MP4	COVER, MODULE, CASE	486340	89536	486340	REF		
MP5	SHIELD, COVER	440008	89536	440008	REF		
MP6	DECAL, CONTROLLER	453696	89536	453696	REF		
MP7	DECAL, CAUTION	454504	89536	454504	REF		
MP8	GUARD, REAR	383364	89536	383364	REF		
MP9	GUARD, FRONT	383356	89536	383356	REF		
MP10	MYLAR INSULATOR	463422	89536	463422	1		
U3	PROM 2716	490003	89536	490003	1		
U4	PROM 2716	489997	89536	489997	1		
U5	PROM 2716	489989	89536	489989	1		
U6	PROM 2716	489971	89536	489971	1		
U7	PROM 2716	489963	89536	489963	1		
U8	PROM 2716	489955	89536	489955	1		
U10	⊗ IC, MOS, CPU	404541	01295	TMS8080	1	1	
	1	EITHER OF THE A6 PCB ASSYS. MAY BE INSTALLED IN THIS UNIT.					
	2	SEE TABLE 5-17 AT THE END OF SECTION 5.					

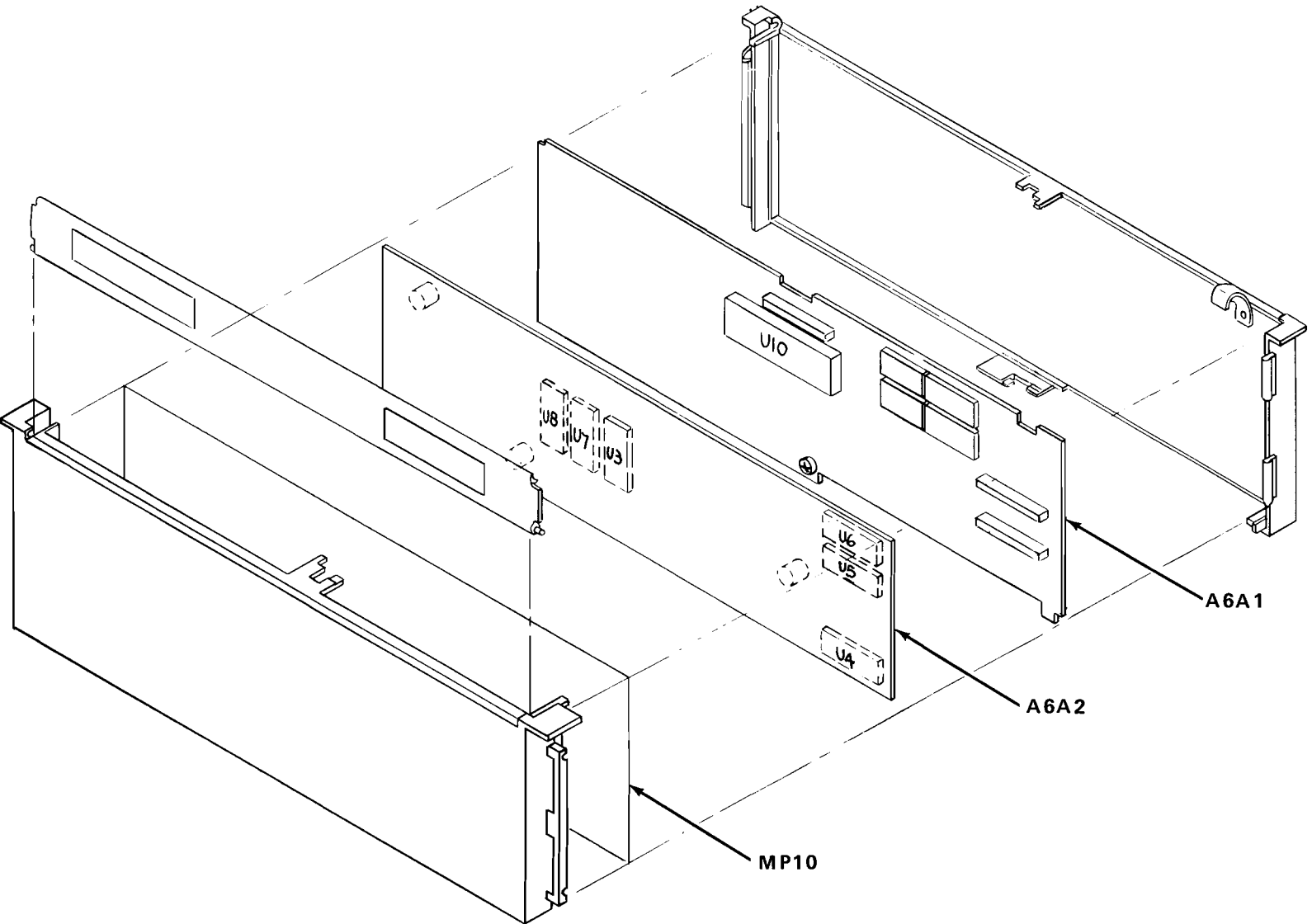


Figure 5-7. A6 Controller Assembly

8500A-4185



Table 5-8. A6A1 Controller PCB Assembly

REF DES	DESCRIPTION	FLUKE STOCK NO.	MFG SPLY CODE	MFG PART NO. OR TYPE	TOT QTY	REC QTY	NOTE
A6A1	⊗ CONTROLLER PCB ASSEMBLY FIGURE 5-8 (8502A-4185)	471318	89536	471318		REF	
C1	CAP, MICA, 22 PF +/-5%, 500V	148551	72136	DM15E220J	1		
C2	CAP, MICA, 47 PF +/-5%, 500V	148536	72136	DM15E470J	1		
C3	CAP, CER, 10,000 PF +/-20%, 100V	407361	72982	8121-A100-W5R-103M	15		
C4	CAP, CER, 10,000 PF +/-20%, 100V	407361	72982	8121-A100-W5R-103M	REF		
C5	CAP, CER, 10,000 PF +/-20%, 100V	407361	72982	8121-A100-W5R-103M	REF		
C6	CAP, CER, 0.047 UF +/-20%, 50V	460733	71590	CW20C473M	1		
C7	CAP, CER, 10,000 PF +/-20%, 100V	407361	72982	8121-A100-W5R-103M	REF		
C8	CAP, MICA, 15 PF +/-5%, 500V	148569	72136	DM15C150J	1		
C9	CAP, MICA, 4 PF +/-0.5 PF, 500V	190397	72136	DM15C040E	1		
C10	CAP, CER, 1 UF +/-20%, 50V	436782	51642	300-050-601-105M	1		
C11	CAP, CER, 10,000 PF +/-20%, 100V	407361	72982	8121-A100-W5R-103M	REF		
C12	CAP, CER, 10,000 PF +/-20%, 100V	407361	72982	8121-A100-W5R-103M	REF		
C13	CAP, CER, 10,000 PF +/-20%, 100V	407361	72982	8121-A100-W5R-103M	REF		
C14	CAP, CER, 10,000 PF +/-20%, 100V	407361	72982	8121-A100-W5R-103M	REF		
C15	CAP, CER, 10,000 PF +/-20%, 100V	407361	72982	8121-A100-W5R-103M	REF		
C16	CAP, CER, 10,000 PF +/-20%, 100V	407361	72982	8121-A100-W5R-103M	REF		
C17	CAP, CER, 10,000 PF +/-20%, 100V	407361	72982	8121-A100-W5R-103M	REF		
C18	CAP, TA, 15 UF +/-20%, 6V	161935	56289	196D156X-0006-KA1	1		
C19	CAP, CER, 0.22 UF +/-20%, 50V	309849	71590	CW30C224K	1		
C20	CAP, CER, 10,000 PF +/-20%, 100V	407361	72982	8121-A100-W5R-103M	REF		
C21	CAP, CER, 10,000 PF +/-20%, 100V	407361	72982	8121-A100-W5R-103M	REF		
C22	CAP, ELECT, TA, 1 UF +/-5%, 15V	461152	56289	150D106X-5015A2	1		
C23	CAP, CER, 10,000PF +/-20%, 100V	407361	72982	8121-A100-W5R-103M	REF		
C24	CAP, MICA, 33 PF +/-5%, 500V	160317	72136	DM15E330J	2		
C25	CAP, TA, 39 UF +/-20%, 6V	163915	56289	196D396X-0006	1		
C26	CAP, CER, 220 PF +/-10%, 500V	268425	72982	851-000-Z5R-222K	1		
C27	CAP, MICA, 33 PF +/-5%, 500V	160317	72136	DM15E330J	REF		
C28	CAP, CER, 0.022 UF -20/+100%, 40V	358325	72982	8121-A050-651-223Z	1		
C29	CAP, TA, 2.2 UF +/-20%, 20V	161927	56289	196D225X-0020HA1	3		
C30	CAP, TA, 2.2 UF +/-20%, 20V	161927	56289	196D225X-0020HA1	REF		
C31	CAP, TA, 2.2 UF +/-20%, 20V	161927	56289	196D225X-0020HA1	REF		
C32	CAP, CER, 10,000 PF +/-20%, 100V	407361	72982	8121-A100-W5R-103M	REF		
C33	CAP, TA, 150 UF +/-20%, V6	460204	56289	183DR157X0006F	1		
CR1	DIODE, SI, HI-SPEED, SWITCHING	203323	07910	1N4448	2		
CR2	DIODE, SI, HI-SPEED, SWITCHING	203323	07910	1N4448	REF		
H1	SCREW, PHP, 4-40X3/8	256164	73734	23024	1		
J1	SOCKET, IC, 9-PIN	436774	30035	33-109-1-09	1		
J2	SOCKET, IC, 12-PIN	417733	30035	SS-109-1-12	2		
MP1	CLAMP, NYLON STRAP, TIE (NOT SHOWN)	172080	06383	SST1M	1		
MP2	DECAL, CONTROLLER (NOT SHOWN)	454108	89536	454108	1		
MP3	SPRING, COIL (NOT SHOWN)	424465	83553	C0120-014-0380	1		
R1	RES, VAR, CERMET, 10K +/-10%, 1/2W	285171	89536	285171	1		
R2	RES, DEP. CAR, 100K +/-5%, 1/4W	348920	80031	CR251-4-5P100K	3		
R3	RES, DEP. CAR, 4.7K +/-5%, 1/4W	348821	80031	CR251-4-5P4K7	6		
R4	RES, DEP. CAR, 2K +/-5%, 1/4W	441469	80031	CR251-4-5P2K	4		
R5	RES, DEP. CAR, 6.8K +/-5%, 1/4W	368761	80031	CR251-4-5P6K8	2		
R6	RES, COMP, 10M +/-5%, 1/4W	194944	01121	CB1065	1		

Table 5-8. A6A1 Controller PCB Assembly (cont)

REF DES	DESCRIPTION	FLUKE STOCK NO.	MFG SPLY CODE	MFG PART NO. OR TYPE	TOT QTY	REC QTY	NOTE
R7	RES, DEP. CAR, 2K +/-5%, 1/4W	441469	80031	CR251-4-5P2K	REF		
R8	RES, DEP. CAR, 4.7K +/-5%, 1/4W	348821	80031	CR251-4-5P4K7	REF		
R9	RES, DEP. CAR, 4.7K +/-5%, 1/4W	348821	80031	CR251-4-5P4K7	REF		
R10	RES, DEP. CAR, 4.7K +/-5%, 1/4W	348821	80031	CR251-4-5P4K7	REF		
R11	RES, DEP. CAR, 4.7K +/-5%, 1/4W	348821	80031	CR251-4-5P4K7	REF		
R12	RES, DEP. CAR, 10K +/-5%, 1/4W	348839	80031	CR251-4-5P10K	3		
R13	RES, DEP. CAR, 10K +/-5%, 1/4W	348839	80031	CR251-4-5P10K	REF		
R14	RES, MTL. FILM, 715 +/-1%, 1/8W	313080	91637	CMF557150F	1		
R15	RES, MTL. FILM, 523 +/-0.5%, 1/8W	294835	91637	CMF555230F	1		
R16	RES, DEP. CAR, 4.7K +/-5%, 1/4W	348821	80031	CR251-4-5P4K7	REF		
R17	RES, MTL. FILM, 4.99K +/-1%, 1/8W	168252	91637	CMF554991F	1		
R18	RES, MTL. FILM, 23.2K +/-1%, 1/8W	291351	91637	CMF552322F	1		
R19	RES, DEP. CAR, 2K +/-5%, 1/4W	441469	80031	CR251-4-5P2K	REF		
R20	RES, DEP. CAR, 10K +/-5%, 1/4W	348839	80031	CR251-4-5P10K	REF		
R21	RES, DEP. CAR, 6.8K +/-5%, 1/4W	368761	80031	CR251-4-5P6K8	REF		
R22	RES, DEP. CAR, 3K +/-5%, 1/4W	441527	80031	CR251-4-5P3K	1		
R23	RES, DEP. CAR, 680K +/-5%, 1/4W	442517	80031	CR251-4-5P680K	1		
R24	RES, DEP. CAR, 1.5K +/-5%, 1/4W	343418	80031	CR251-4-5P1K5	1		
R25	RES, DEP. CAR, 100K +/-5%, 1/4W	348920	80031	CR251-4-5P100K	REF		
R26	RES, DEP. CAR, 62K +/-5%, 1/4W	348904	80031	CR251-4-5P62K	1		
R27	RES, DEP. CAR, 2K +/-5%, 1/4W	441469	80031	CR251-4-5P2K	REF		
R28	RES, DEP. CAR, 100K +/-5%, 1/4W	348920	80031	CR251-4-5P100K	REF		
RN1	RESISTOR NETWORK, 4.7K	412916	89536	412916	2	1	
RN2	RESISTOR NETWORK, 4.7K	412916	89536	412916	REF		
RN3	RESISTOR NETWORK, 10K	412924	89536	412924	1	1	
U1	IC, TTL, LPS, DUAL J-K FF	412999	01295	SN74LS109N	1	1	
U2	⊗IC, C-MOS, HEX BUFFER/INVERTERS	381830	02735	CD4050AE	1	1	
U3	⊗IC, C-MOS, FAST QUAD 2-INPUT NAND GATE	413211	07263	34011PC4011PC	1	1	
U5	⊗IC, MOS 1024 BIT STATIC RAM	404558	34649	P2111A-4	4	1	
U6	⊗IC, MOS 1024 BIT STATIC RAM	404558	34649	P2111-1	REF		
U8	IC, TTL, AND-OR INVERT GATES	412981	01295	SN74LS51	1	1	
U9	⊗IC, C-MOS, HEX INVERTER	404699	12040	MM74C04N	1	1	
U12	⊗IC, MOS 1024 BIT STATIC RAM	404558	34649	P2111-1	REF		
U13	⊗IC, MOS 1024 BIT STATIC RAM	404558	34649	P2111-1	REF		
U14	⊗IC, C-MOS, DUAL TYPE D FLIP FLOP	340117	04713	MC14013CP	2	1	
U15	IC, TTL, QUAD 2-INPUT POS AND GATES	393066	01295	SN74LS08	1	1	
U16	IC, TTL, HEX INVERTER POS NAND GATES	393058	01295	SN74LS04	2	1	
U17	⊗IC, C-MOS, QUAD 2-INPUT NAND GATES	375147	02735	CD4023AE	1	1	
U18	IC, TTL, HEX/QUAD TYPE D FLIP FLOP	393207	01295	SN74LS174N	1	1	
U19	⊗IC, C-MOS STROBED HEX INVERTER/BUFFER	408211	04713	MC14502CP	2	1	
U20	IC, TTL, MULTIPLEXER	393165	01295	SN74LS139N	1	1	
U21	IC, TTL, HEX INVERTER POS NAND GATES	393058	01295	SN74LS04	REF		
U23	⊗IC, C-MOS TRISTATE NON INVERT BUFFERS	407759	12040	MM80C97N	3	1	
U24	⊗IC, C-MOS TRISTATE NON INVERT BUFFERS	407759	12040	MM80C97N	REF		
U26	IC, LIN, C-MOS, PLL	403584	02735	CD4046AE	1	1	
U27	⊗IC, C-MOS, QUAD 2-INPUT OR GATE	408393	02735	CD4071BE	1	1	
U28	⊗IC, C-MOS, 8-BIT PRIORITY ENCODER	412973	02735	CD4523BE	1	1	
U29	⊗IC, C-MOS, STROBED HEX INVERTER/BUFFER	408211	04713	MC14502CP	REF		
U30	⊗IC, C-MOS, TRISTATE NON INVERT BUFFERS	407759	12040	MM80C97N	REF		
U31	IC, TTL, POS NAND GATES/INVERTERS	393074	01295	SN74LS10N	1	1	

Table 5-8. A6A1 Controller PCB Assembly (cont)

REF DES	DESCRIPTION	FLUKE STOCK NO.	MFG SPLY CODE	MFG PART NO. OR TYPE	TOT QTY	REC QTY	N O T E
U32	⊗ IC, C-MOS, HEX INVERTER	404681	02735	CD4069BE	1	1	
U34	⊗ IC, C-MOS, DUAL UP COUNTER	355164	04713	MC14520CL/CP	1	1	
U35	⊗ IC, C-MOS, DUAL TYPE D FLIP FLOP	340117	04713	MC14013CP	REF		
U36	⊗ IC, C-MOS, NONOSTABLE MV	454017	04713	MC14538BCP	1	1	
U37	⊗ IC, C-MOS, QUAD 2-INPUT NOR GATES	429944	02735	CD4001BE	1	1	
U38	⊗ IC, C-MOS, QUAD 2-INPUT NAND	404632	02735	CD4039BE	1	1	
XU5	SOCKET, IC, 18-PIN	418228	91506	318-AG39D	4		
XU6	SOCKET, IC, 18-PIN	418228	91506	318-AG39D	REF		
XU10	SOCKET, IC, 40-PIN	418988	91506	340-AG39D	1		
XU12	SOCKET, IC, 18-PIN	418228	91506	318-AG39D	REF		
XU13	SOCKET, IC, 18-PIN	418228	91506	318-AG39D	REF		
Y1	CRYSTAL, QUARTZ	412932	89536	412932	1		

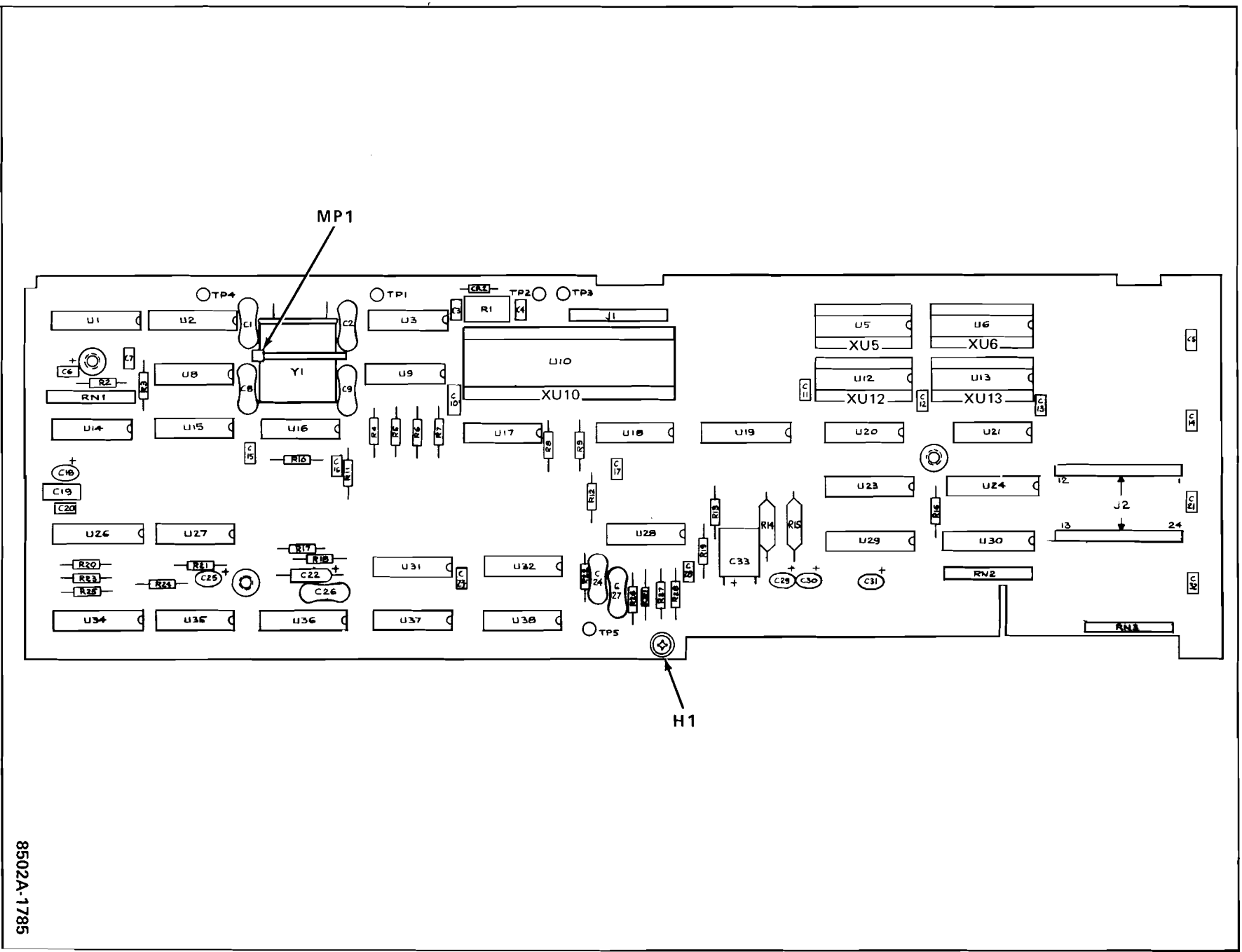
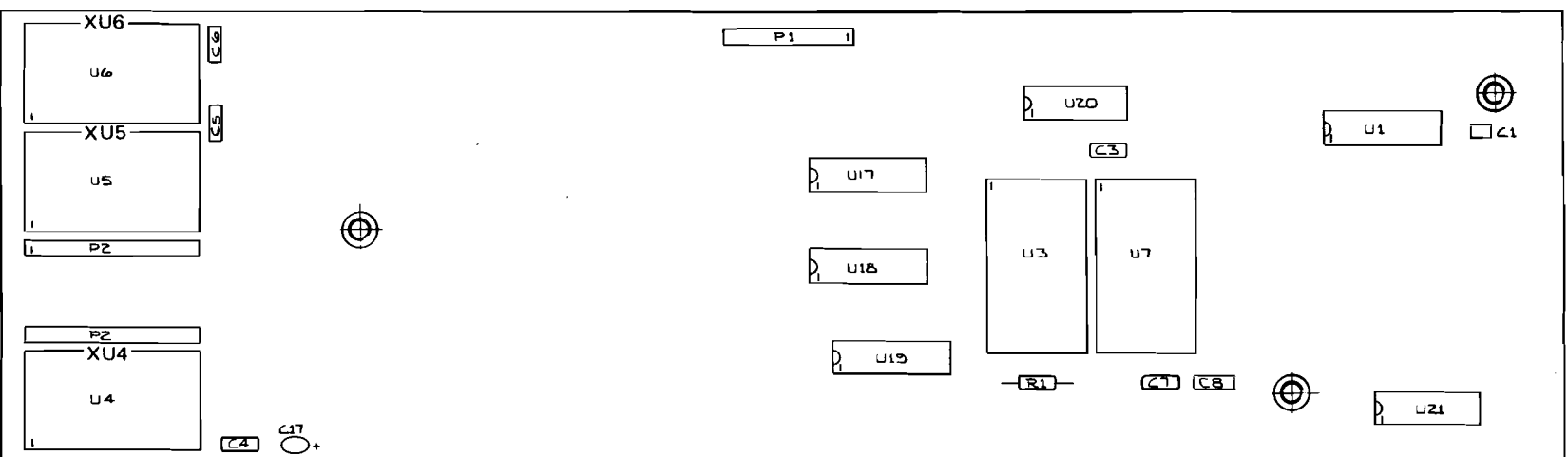


Figure 5-8. A6A1 Controller PCB Assembly

Table 5-9. A6A2 Prom Rom PCB Assembly

REF DES	DESCRIPTION	FLUKE STOCK NO.	MFG SPLY CODE	MFG PART NO. OR TYPE	TOT QTY	REC QTY	N O T E
A6A2	⊗ PROM ROM PCB ASSEMBLY FIGURE 5-9 (8502A-4088T)	458141	89536	458141		REF	
C1	CAP, CER, 0.01 UF +/-20%, 100V	407361	72982	8121-A100-W5R-103M	1		
C3	CAP, CER, 0.22 UF +/-20%, 50V	309849	71590	CW30C224K	6		
C4	CAP, CER, 0.22 UF +/-20%, 50V	309849	71590	CW30C224K		REF	
C5	CAP, CER, 0.22 UF +/-20%, 50V	309849	71590	CW30C224K		REF	
C6	CAP, CER, 0.22 UF +/-20%, 50V	309849	71590	CW30C224K		REF	
C7	CAP, CER, 0.22 UF +/-20%, 50V	309849	71590	CW30C224K		REF	
C8	CAP, CER, 0.22 UF +/-20%, 50V	309849	71590	CW30C224K		REF	
C17	CAP, TA, 5.6 UF +/-20%, 25V	368969	56289	196D565X0025KA1	1		
H1	WASHER, FLAT, TEFLON (NOT SHOWN)	187989	89536	187989	6		
MP1	INSERTS, BOARD (NOT SHOWN)	376418	89536	376418	72		
P1	POST, CONTACT	447813	22526	65501-136	1		
P2	POST, CONTACT	447813	22526	65501-136	2		
R1	RES, DEP. CAR, 10K +/-5%, 1/4W	348839	80031	CR251-4-5P10K	1		
U1	IC, TTL, SCHOTTKY 3-8 LINE DECODER	407585	01295	SN74LS138N	1		
U17	⊗ IC, C-MOS TRISTATE HEX NON INV BUFFER	407759	04713	MC14503CP	3		
U18	⊗ IC, C-MOS TRISTATE HEX NON INV BUFFER	407759	04713	MC14503CP		REF	
U19	⊗ IC, C-MOS TRISTATE HEX NON INV BUFFER	407759	04713	MC14503CP		REF	
U20	IC, TTL, POS AND GATES	393066	01295	SN74LS08N	1		
U21	IC, TTL, QUAD, 2-INPUT POS OR GATE	393108	01295	SN74LS32N	1		1
XU4	SOCKET, 24 PIN	376236	91506	324-AG39D	3		
XU5	SOCKET, 24 PIN	376236	91506	324-AG39D		REF	
XU6	SOCKET, 24 PIN	376236	91506	324-AG39D		REF	



8502A-1688

Figure 5-9. A6A2 Prom Rom PCB Assembly

Table 5-10. A6 Controller PCB Assembly

REF DES	DESCRIPTION	FLUKE STOCK NO.	MFG SPLY CODE	MFG PART NO. OR TYPE	TOT QTY	REC QTY	N O T E
A6	⊗ CONTROLLER PCB ASSEMBLY FIGURE 5-10 (8502A-4186T)	577072	89536	577072	REF		1
C1	CAP, MICA, 22 PF +/-5%, 500V	148551	02799	DM15C220J	1		
C2	CAP, MICA, 47 PF +/-5%, 500V	148536	02799	DM15E470J	1		
C3	CAP, CER, 10,000 PF +/-20%, 100V	407361	72982	8121-A100-W5R-103M	15		
C4	CAP, CER, 10,000 PF +/-20%, 100V	407361	72982	8121-A100-W5R-103M	REF		
C5	CAP, CER, 10,000 PF +/-20%, 100V	407361	72982	8121-A100-W5R-103M	REF		
C6	CAP, CER, 0.047 UF +/-20%, 50V	460733	72982	8121-050-651-47NM	1		
C7	CAP, CER, 10,000 PF +/-20%, 100V	407361	72982	8121-A100-W5R-103M	REF		
C8	CAP, MICA, 15 PF +/-5%, 500V	148569	02799	DM15C150J	1		
C9	CAP, MICA, 4 PF +/-0.5%, 500V	190397	02799	DM15C040D	1		
C10	CAP, CER, 1 UF +/-20%, 50V	436782	72982	8131-050-601-105M	1		
C11	CAP, CER, 10,000 PF +/-20%, 100V	407361	72982	8121-A100-W5R-103M	REF		
C12	CAP, CER, 10,000 PF +/-20%, 100V	407361	72982	8121-A100-W5R-103M	REF		
C13	CAP, CER, 10,000 PF +/-20%, 100V	407361	72982	8121-A100-W5R-103M	REF		
C14	CAP, CER, 10,000 PF +/-20%, 100V	407361	72982	8121-A100-W5R-103M	REF		
C15	CAP, CER, 10,000 PF +/-20%, 100V	407361	72982	8121-A100-W5R-103M	REF		
C16	CAP, CER, 10,000 PF +/-20%, 100V	407361	72982	8121-A100-W5R-103M	REF		
C17	CAP, CER, 10,000 PF +/-20%, 100V	407361	72982	8121-A100-W5R-103M	REF		
C18	CAP, TA, 15 UF +/-20%, 6V	161935	56289	196D156X0006-KA1	1		
C19	CAP, CER, 0.22 UF +/-20%, 50V	309849	72982	8131-050-651-222M	1		
C20	CAP, CER, 10,000 PF +/-20%, 100V	407361	72982	8121-A100-W5R-103M	REF		
C21	CAP, CER, 10,000 PF +/-20%, 100V	407361	72982	8121-A100-W5R-103M	REF		
C22	CAP, ELECT, TA, 1 UF +/-5%, 15V	461152	56289	150D106X5015A2	1		
C23	CAP, CER, 10,000 PF +/-20%, 100V	407361	72982	8121-A100-W5R-103M	REF		
C24	CAP, MICA, 33 PF +/-5%, 500V	160317	02799	DM15E330J	2		
C25	CAP, TA, 39 UF +/-20%, 6V	163915	56289	196D396X0006	1		
C26	CAP, CER, 2200 PF +/-10%, 500V	268425	72982	851-000-Z5R-222K	1		
C27	CAP, MICA, 33 PF +/-5%, 500V	160317	02799	DM15E330J	REF		
C28	CAP, CER, 0.022 UF -20/+100%, 40V	358325	72982	8121-A050-651-223Z	1		
C29	CAP, TA, 2.2 UF +/-20%, 20V	161927	56289	196D225X0020HA1	3		
C30	CAP, TA, 2.2 UF +/-20%, 20V	161927	56289	196D225X0020HA1	REF		
C31	CAP, TA, 2.2 UF +/-20%, 20V	161927	56289	196D225X0020HA1	REF		
C32	CAP, CER, 10,000 PF +/-20%, 100V	407361	72982	8121-A100-W5R-103M	REF		
C33	CAP, TA, 150 UF +/-20%, 6V	460204	56289	183DR157X0006F	1		
CR1	DIODE, SI, HI SPEED SWITCHING	203323	07910	1N4448	2		1
CR2	DIODE, SI, HI SPEED SWITCHING	203323	07910	1N4448	REF		
H1	SCREW, PHP, 4-40 X 3/8	256164	89536	256164	1		
MP1	CASE ASSY (INCLUDES MP2-MP9)	611665	89536	611665	1		2
MP2	CASE, HALF, MODULE	402990	89536	402990	REF		
MP3	CASE, HALF, MODULE	402990	89536	402990	REF		
MP4	COVER, MODULE, CASE	402974	89536	402974	REF		
MP5	SHIELD COVER	440008	89536	440008	REF		
MP6	DECAL, CONTROLLER (NOT SHOWN)	536029	89536	536029	REF		
MP7	DECAL, CAUTION (NOT SHOWN)	454504	89536	454504	REF		
MP8	GUARD, REAR	383364	89536	383364	REF		
MP9	GUARD, FRONT	383356	89536	383356	REF		
MP10	CLAMP, NYLON STRAP	172080	06383	SSTIM	1		
MP11	SPRING, COIL (NOT SHOWN)	424465	83553	C0120-014-0380M	1		

Table 5-10. A6 Controller PCB Assembly (cont)

REF DES	DESCRIPTION	FLUKE STOCK NO.	MFG SPLY CODE	MFG PART NO. OR TYPE	TOT QTY	REC QTY	NO TE
MP12	MYLAR INSULATOR	463422	89536	463422	1		
R1	RES, VAR, CERMET, 10K +/-10%, 1/2W	285171	89536	285171	1		
R2	RES, DEP. CAR, 100K +/-5%, 1/4W	348920	80031	CR251-4-5P100K	3		
R3	RES, DEP. CAR, 4.7K +/-5%, 1/4W	348821	80031	CR251-4-5P4K7	6		
R4	RES, DEP. CAR, 2K +/-5%, 1/4W	441469	80031	CR251-4-5P2K	4		
R5	RES, DEP. CAR, 6.8K +/-5%, 1/4W	368761	80031	CR251-4-5P6K8	2		
R6	RES, COMP, 10M +/-5%, 1/4W	194944	01121	CB1065	1		
R7	RES, DEP. CAR, 2K +/-5%, 1/4W	441469	80031	CR251-4-5P2K	REF		
R8	RES, DEP. CAR, 4.7K +/-5%, 1/4W	348821	80031	CR251-4-5P4K7	REF		
R9	RES, DEP. CAR, 4.7K +/-5% 1/4W	348821	80031	CR251-4-5P4K7	REF		
R10	RES, DEP. CAR, 4.7K +/-5%, 1/4W	348821	80031	CR251-4-5P4K7	REF		
R11	RES, DEP. CAR, 4.7K +/-5%, 1/4W	348821	80031	CR251-4-5P4K7	REF		
R12	RES, DEP. CAR, 10K +/-5%, 1/4W	348839	80031	CR251-4-5P10K	3		
R13	RES, DEP. CAR, 10K +/-5%, 1/4W	348839	80031	CR251-4-5P10K	REF		
R14	RES, MTL. FILM, 715 +/-1%, 1/8W	313080	91637	CMF557150F	1		
R15	RES, MTL. FILM, 523 +/-1%, 1/8W	294835	91637	CMF555230D	1		
R16	RES, DEP. CAR, 4.7K +/-5%, 1/4W	348821	80031	CR251-4-5P4K7	REF		
R17	RES, MTL. FILM, 4.99K +/-1%, 1/8W	168252	91637	CMF554991F	1		
R18	RES, MTL. FILM, 23.2K +/-1%, 1/8W	291351	91637	CMF552322F	1		
R19	RES, DEP. CAR, 2K +/-5%, 1/4W	441469	80031	CR251-4-5P2K	REF		
R20	RES, DEP. CAR, 10K +/-5%, 1/4W	348839	80031	CR251-4-5P10K	REF		
R21	RES, DEP. CAR, 6.8K +/-5%, 1/4W	368761	80031	CR251-4-5P6K8	REF		
R22	RES, DEP. CAR, 3K +/-5%, 1/4W	441527	80031	CR251-4-5P3K	1		
R23	RES, DEP. CAR, 680K +/-5%, 1/4W	442517	80031	CR251-4-5P680K	1		
R24	RES, DEP. CAR, 1.5K +/-5%, 1/4W	343418	80031	CR251-4-5P1K5	1		
R25	RES, DEP. CAR, 100K +/-5%, 1/4W	348920	80031	CR251-4-5P100K	REF		
R26	RES, DEP. CAR, 30K +/-5%, 1/4W	368753	80031	CR251-4-5P30K	1		
R27	RES, DEP. CAR, 2K +/-5%, 1/4W	441469	80031	CR251-4-5P2K	REF		
R28	RES, DEP. CAR, 100K +/-5%, 1/4W	348920	80031	CR251-4-5P100K	REF		
RN1	RES NETWORK, SIP, 4.7K	412916	89536	412916	2	1	
RN2	RES NETWORK, SIP, 4.7K	412916	89536	412916	REF		
RN3	RES NETWORK, SIP, 10K	412924	89536	412924	1	1	
U1	IC, TTL LPS, DUAL J-K FF	412999	01295	SN74LS109N	1	1	
U2	⊗ IC, C-MOS, HEX BUFFER/INVERTERS	381830	02735	CD4040BCN	1	1	
U3	⊗ IC, C-MOS, FAST QUAD 2 INPUT NAND GATE	413211	07263	34011PC/4011PC	1	1	
U5	⊗ IC, MOS 1024 BIT STATIC RAM	404558	34649	P2111A-4	4	1	
U6	⊗ IC, MOS 1024 BIT STATIC RAM	404558	34649	P2111A-4	REF		
U7	PROM	613505	89536	613505	1		
U8	IC, TTL-AND-OR-INVERT GATES	412981	01295	SN74LS51	1	1	
U9	⊗ IC, C-MOS, HEX INVERTER	404699	12040	MM74C04N	1	1	
U10	⊗ IC, MOS, CPU	404541	01295	TMS8080	1	1	
U12	⊗ IC, MOS 1024 BIT STATIC RAM	404558	34649	P2111A-4	REF		
U13	⊗ IC, MOS 1024 BIT STATIC RAM	404558	34649	P2111A-4	REF		
U14	⊗ IC, C-MOS, DUAL TYPE "D" FLIP FLOP	340117	04713	MC14013CP	2	1	
U15	IC, TTL QUAD 2 INPUT POS AND GATES	393066	01295	SN74LS08N	1	1	
U16	IC, TTL HEX INVERTER POS NAND GATES	393058	01295	SN74LS04N	2	1	
U17	⊗ IC, C-MOS TRI 3 INPUT NAND GATES	375147	02735	CD4023UBE	1	1	
U18	IC, TTL HEX/QUAD TYPE D FLIP FLOP	393207	01295	SN74LS174N	1	1	
U19	⊗ IC, C-MOS STROBED HEX INVERTER/BUFFER	408211	04713	MC14502CP	2	1	
U20	IC, TTL MULTIPLEXER	393165	01295	SN74LS139N	1	1	



Table 5-10. A6 Controller PCB Assembly (cont)

REF DES	DESCRIPTION	FLUKE STOCK NO.	MFG SPLY CODE	MFG PART NO. OR TYPE	TOT QTY	REC QTY	NOTE
U21	IC, TTL HEX INVERTER POS NAND GATES	393058	01295	SN74LS04	REF		
U22	ROM	604132	89536	604132	1		
U23	⊗IC, C-MOS TRISTATE NON INVERT BUFFERS	407759	12040	MM80C97N	3	1	
U24	⊗IC, C-MOS TRISTATE NON INVERT BUFFERS	407759	12040	MM80C97N	REF		
U25	ROM	604116	89536	604116	1		
U26	IC, LIN C-MOS/MOS PLL	403584	02735	CD4046AE	1	1	
U27	⊗IC, C-MOS, QUAD 2 INPUT OR GATE	408393	02735	CD4071BE	1	1	
U28	⊗IC, C-MOS 8-BIT PRIORITY ENCODER	412973	02735	CD4523BE	1	1	
U29	⊗IC, C-MOS STROBED HEX INVERTER/BUFFER	408211	04713	MC14502CP	REF		
U30	⊗IC, C-MOS TRISTATE NON INVERT BUFFERS	407759	12040	MM80C97N	REF		
U31	IC, TTL POS NAND GATES/INVERTERS	393074	01295	SN74LS10N	1	1	
U32	⊗IC, C-MOS, HEX INVERTER	404681	02735	CD4069UBE	1	1	
U33	ROM	604124	89536	604124	1		
U34-	⊗IC, C-MOS DUAL UP COUNTER	355164	04713	MC14520BCP	4520B	1	1
U35-	⊗IC, C-MOS, DUAL TYPE D FLIP FLOP	340117	04713	MC14013CP	4013B	REF	
U36-	⊗IC, C-MOS, MONOSTABLE MV	454017	04713	MC14538BCP		1	1
U37	⊗IC, C-MOS QUAD 2 INPUT NOR GATES	429944	02735	CD4001BE	4001B	1	1
U38-	⊗IC, C-MOS QUAD 2 INPUT NAND	404632	02735	CD4093BE	4093B	1	1
XU5	SOCKET, IC, 18-PINS	418228	91506	318-AG39D	4		
XU6	SOCKET, IC, 18-PINS	418228	91506	318-AG39D	REF		
XU7	SOCKET, IC, 24-PINS	376236	91506	324-AG39D	4		
XU10	SOCKET, IC, 40-PINS	418988	91506	340-AG39D	1		
XU12	SOCKET, IC, 18-PINS	418228	91506	318-AG39D	REF		
XU13	SOCKET, IC, 18-PINS	418228	91506	318-AG39D	REF		
XU22	SOCKET, IC, 24-PINS	376236	91506	324-AG39D	REF		
XU25	SOCKET, IC, 24-PINS	376236	91506	324-AG39D	REF		
XU33	SOCKET, IC, 24-PINS	376236	91506	324-AG39D	REF		
Y1	CRYSTAL, QUARTZ, 1.70 MHZ	412932	89536	412932	1		

1 EITHER OF THE A6 PCB ASSYS. MAY BE INSTALLED IN THIS UNIT.

2 SEE TABLE 5-17 AT THE END OF SECTION 5.

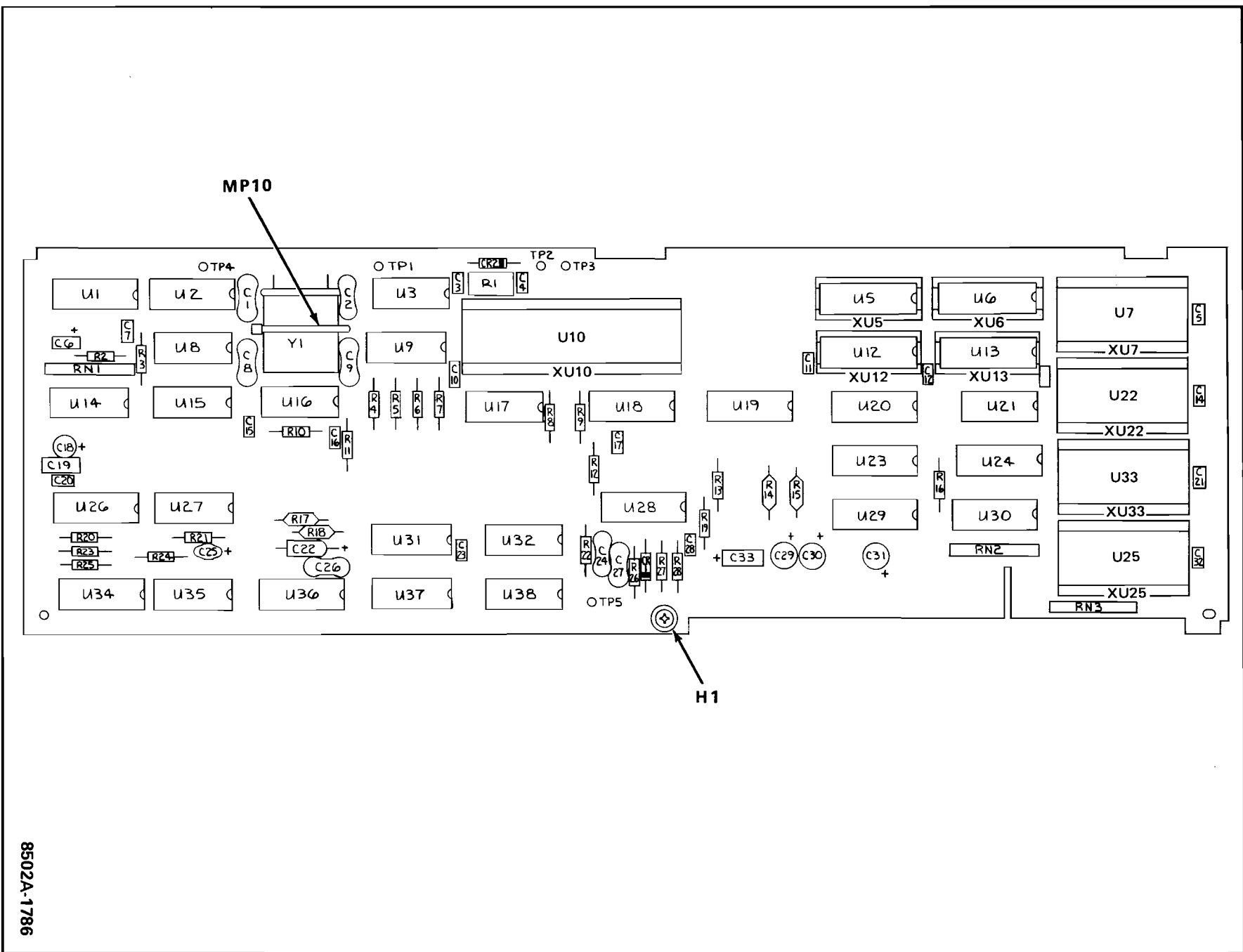


Figure 5-10. A6 Controller PCB Assembly

Table 5-11. A7 Display PCB Assembly

REF DES	DESCRIPTION	FLUKE STOCK NO.	MFG SPLY CODE	MFG PART NO. OR TYPE	TOT QTY	REC QTY	NOTE
A7	⊗ DISPLAY PCB ASSEMBLY FIGURE 5-11 (8502A-4023T)	481689	89536	481689	REF		
C1	CAP, CER, 0.22 UF +/-20%, 50V	309849	71590	CW30C224K	1		
C2	CAP, TA, 5.6 UF +/-20%, 25V	368969	56289	196D565X0025KA1	1		
C3	CAP, CER, 1200 PF +/-20%, 100V	358283	80031	2222-630-01-122	1		
CR1	DIODE, HI-SPEED SWITCHING	203323	07910	1N4448	6		2
CR2	DIODE, HI-SPEED SWITCHING	203323	07910	1N4448	REF		
CR3	DIODE, HI-SPEED SWITCHING	203323	07910	1N4448	REF		
CR4	DIODE, HI-SPEED SWITCHING	203323	07910	1N4448	REF		
CR5	DIODE, HI-SPEED SWITCHING	203323	07910	1N4448	REF		
CR6	DIODE, HI-SPEED SWITCHING	203323	07910	1N4448	REF		
CR7	DIODE, LED	413831	29083	MV5153	1		1
E1	SPARK GAP (NOT SHOWN)	442731	25088	B1C145	1		
F1	FUSE, FAST-BLO	109330	71400	AGC11-2	1		5
F2	FUSE, WIRE #36	160978	89536	160978	1		
J1	BINDING POST, RED	275552	32767	820-65	2		
J2	BINDING POST, RED	275552	32767	820-65	REF		
J3	BINDING POST, BLK	275560	32767	820-45	2		
J4	BINDING POST, BLK	275560	32767	820-45	REF		
J5	BINDING POST, BLUE	275578	32767	820-55	1		
L1	COIL ASSEMBLY	438325	89536	438325	1		
MP1	INSULATING BINDING POST (NOT SHOWN)	449363	89536	449363	1		
MP2	MASK, 0.40 LENS (NOT SHOWN)	418996	89536	418996	4		
MP3	SHIELD, FRONT PANEL (NOT SHOWN)	433524	89536	433524	1		
MP4	SPACER (NOT SHOWN)	448432	89536	448432	1		
P1	CONNECTOR PIN	233411	00779	60599-3	5		
Q1	TRANSISTOR, SI, NPN	330803	04713	MPS6560	1		1
Q2	TRANSISTOR, SI, PNP	340026	04713	MPS6563	7		2
Q3	TRANSISTOR, SI, PNP	340026	04713	MPS6563	REF		
Q4	TRANSISTOR, SI, PNP	340026	04713	MPS6563	REF		
Q5	TRANSISTOR, SI, PNP	340026	04713	MPS6563	REF		
Q6	TRANSISTOR, SI, PNP	340026	04713	MPS6563	REF		
Q7	TRANSISTOR, SI, PNP	340026	04713	MPS6563	REF		
Q8	TRANSISTOR, SI, PNP	340026	04713	MPS6563	REF		
Q10	TRANSISTOR, SI, PNP	226290	04713	MPS3640	1		1
R1	RES, DEP. CAR, 62 +/-5%, 1/4W	441634	80031	CR251-4-SP62ET	1		
R2	RES, DEP. CAR, 200 +/-5%, 1/4W	441451	80031	CR251-4-5P200ET	2		
R3	RES, DEP. CAR, 100K +/-5%, 1/4W	348920	80031	CR251-4-5P100KT	1		
R4	RES, COMP, 150 +/-5%, 1/4W	343442	80031	CR251-4-5P150ET	1		
R5	RES, COMP, 4.7K +/-5%, 1/4W	348821	80031	CR251-4-5P4K7T	1		
R6	RES, COMP, 200 +/-5%, 1/4W	441451	80031	CR251-4-5P200ET	REF		
R7	RES, DEP. CAR, 330 +/-5%, 1/4W	368720	80031	CR251-4-5P330E			
R8	RES, COMP, 10M +/-5%, 1/4W	194944	01121	CB1065	1		
S1	SWITCH ASSEMBLY						
	SWITCH ACTUATOR	412106	89536	412106	23		
	SWITCH TOP COVER	401299	89536	401299	23		
	SPRING, SWITCH, PUSHBUTTON	414516	00779	62353-3	23		
	CONTACT, SWITCH, PUSHBUTTON	416875	00779	62380-4	23		
	SWITCH, PUSHBUTTON, LT PUTTY GREY	401307	89536	401307	14		

Table 5-11. A7 Display PCB Assembly (cont)

REF DES	DESCRIPTION	FLUKE STOCK NO.	MFG SPLY CODE	MFG PART NO. OR TYPE	TOT QTY	REC QTY	N O T E
S2	SWITCH ASSEMBLY						
	SWITCH ACTUATOR	412106	89536	412106	REF		
	SWITCH TOP COVER	401299	89536	401299	REF		
	SPRING, SWITCH, PUSHBUTTON	414516	00779	62353-3	REF		
S3	CONTACT, SWITCH, PUSHBUTTON	416875	00779	62380-4	REF		
	SWITCH, PUSHBUTTON, LT PUTTY GREY	401307	89536	401307	REF		
	SWITCH ASSEMBLY						
	SWITCH ACTUATOR	412106	89536	412106	REF		
S4	SWITCH TOP COVER	401299	89536	401299	REF		
	SPRING, SWITCH, PUSHBUTTON	414516	00779	62353-3	REF		
	CONTACT, SWITCH, PUSHBUTTON	416875	00779	62380-4	REF		
	SWITCH, PUSHBUTTON, LT PUTTY GREY	401307	89536	401307	REF		
S5	CONTACT, SWITCH, PUSHBUTTON	416875	00779	62380-4	REF		
	SWITCH ASSEMBLY						
	SWITCH ACTUATOR	412106	89536	412106	REF		
	SWITCH TOP COVER	401299	89536	401299	REF		
S6	SPRING, SWITCH, PUSHBUTTON	414516	00779	62353-3	REF		
	CONTACT, SWITCH, PUSHBUTTON	416875	00779	62380-4	REF		
	SWITCH, PUSHBUTTON, LT PUTTY GREY	401307	89536	401307	REF		
	SWITCH ASSEMBLY						
S7	SWITCH ACTUATOR	412106	89536	412106	REF		
	SWITCH TOP COVER	401299	89536	401299	REF		
	SPRING, SWITCH, PUSHBUTTON	414516	00779	62353-3	REF		
	CONTACT, SWITCH, PUSHBUTTON	416875	00779	62380-4	REF		
S8	SWITCH, PUSHBUTTON, DK PUTTY GREY	406728	89536	406728	REF		
	SWITCH ASSEMBLY						
	SWITCH ACTUATOR	412106	89536	412106	REF		
	SWITCH TOP COVER	401299	89536	401299	REF		
S9	SPRING, SWITCH, PUSHBUTTON	414516	00779	62353-3	REF		
	CONTACT, SWITCH, PUSHBUTTON	416875	00779	62380-4	REF		
	SWITCH, PUSHBUTTON, DK PUTTY GREY	406728	89536	406728	REF		
	SWITCH, SLIDE, SPDT	417287	95146	MSS-104D-1	1		
S10	SWITCH ASSEMBLY						
	SWITCH ACTUATOR	412106	89536	412106	REF		
	SWITCH TOP COVER	401299	89536	401299	REF		
	SPRING, SWITCH, PUSHBUTTON	414516	00779	62353-3	REF		
S11	CONTACT, SWITCH, PUSHBUTTON	416875	00779	62380-4	REF		
	SWITCH, PUSHBUTTON, MED YELLOW	419937	89536	419937	2		
	SWITCH ASSEMBLY						
	SWITCH ACTUATOR	412106	89536	412106	REF		

Table 5-11. A7 Display PCB Assembly (cont)

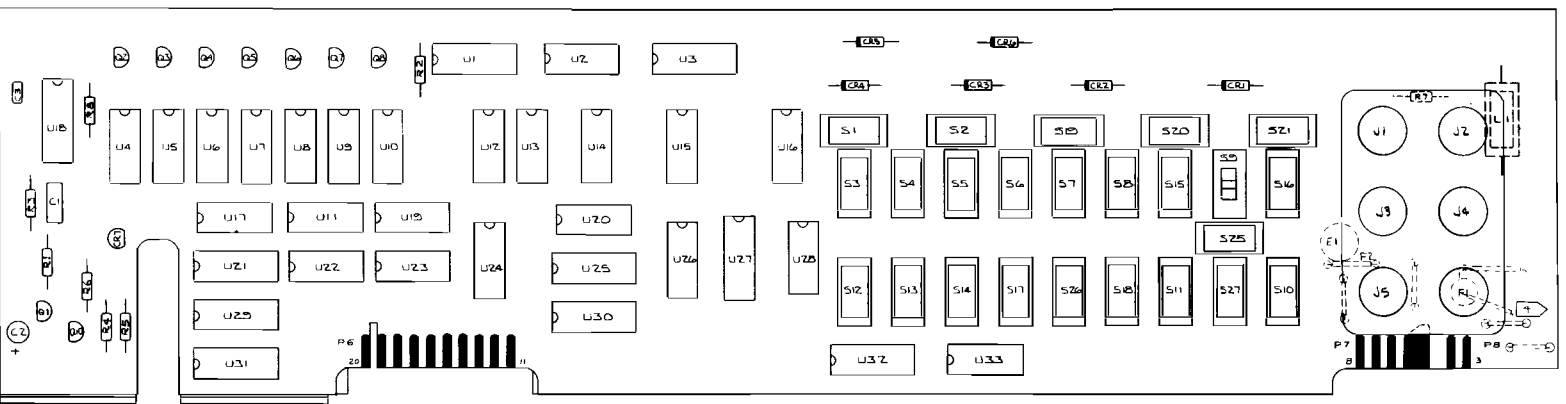
REF DES	DESCRIPTION	FLUKE STOCK NO.	MFG SPLY CODE	MFG PART NO. OR TYPE	TOT QTY	REC QTY	N O T E
	SWITCH ACTUATOR	412106	89536	412106	REF		
	SWITCH TOP COVER	401299	89536	401299	REF		
	SPRING, SWITCH, PUSHBUTTON	414516	00779	62353-3	REF		
	CONTACT, SWITCH, PUSHBUTTON	416875	00779	62380-4	REF		
	SWITCH, PUSHBUTTON, MED YELLOW	419937	89536	419937	REF		
S12	SWITCH ASSEMBLY						
	SWITCH ACTUATOR	412106	89536	412106	REF		
	SWITCH TOP COVER	401299	89536	401299	REF		
	SPRING, SWITCH, PUSHBUTTON	414516	00779	62353-3	REF		
	CONTACT, SWITCH, PUSHBUTTON	416875	00779	62380-4	REF		
S13	SWITCH, PUSHBUTTON, DK PUTTY GREY	406728	89536	406728	REF		
	SWITCH ASSEMBLY						
	SWITCH ACTUATOR	412106	89536	412106	REF		
	SWITCH TOP COVER	401299	89536	401299	REF		
	SPRING, SWITCH, PUSHBUTTON	414516	00779	62353-3	REF		
S14	CONTACT, SWITCH, PUSHBUTTON	416875	00779	62380-4	REF		
	SWITCH, PUSHBUTTON, DK PUTTY GREY	406728	89536	406728	REF		
	SWITCH ASSEMBLY						
	SWITCH ACTUATOR	412106	89536	412106	REF		
	SWITCH TOP COVER	401299	89536	401299	REF		
S15	SPRING, SWITCH, PUSHBUTTON	414516	00779	62353-3	REF		
	CONTACT, SWITCH, PUSHBUTTON	416875	00779	62380-4	REF		
	SWITCH, PUSHBUTTON, DK PUTTY GREY	406728	89536	406728	REF		
	SWITCH ASSEMBLY						
	SWITCH ACTUATOR	412106	89536	412106	REF		
S16	SWITCH TOP COVER	401299	89536	401299	REF		
	SPRING, SWITCH, PUSHBUTTON	414516	00779	62353-3	REF		
	CONTACT, SWITCH, PUSHBUTTON	416875	00779	62380-4	REF		
	SWITCH, PUSHBUTTON, LT PUTTY GREY	401307	89536	401307	REF		
	SWITCH ASSEMBLY						
	SWITCH ACTUATOR	412106	89536	412106	REF		
	SWITCH TOP COVER	401299	89536	401299	REF		
	SPRING, SWITCH, PUSHBUTTON	414516	00779	62353-3	REF		
	CONTACT, SWITCH, PUSHBUTTON	416875	00779	62380-4	REF		
	SWITCH, PUSHBUTTON, LT PUTTY GREY	401307	89536	401307	REF		
S17	SWITCH ASSEMBLY						
	SWITCH ACTUATOR	412106	89536	412106	REF		
	SWITCH TOP COVER	401299	89536	401299	REF		
	SPRING, SWITCH, PUSHBUTTON	414516	00779	62353-3	REF		
	CONTACT, SWITCH, PUSHBUTTON	416875	00779	62380-4	REF		
S18	SWITCH, PUSHBUTTON, LT PUTTY GREY	401307	89536	401307	REF		
	SWITCH ASSEMBLY						
	SWITCH ACTUATOR	412106	89536	412106	REF		
	SWITCH TOP COVER	401299	89536	401299	REF		
	SPRING, SWITCH, PUSHBUTTON	414516	00779	62353-3	REF		
S19	CONTACT, SWITCH, PUSHBUTTON	416875	00779	62380-4	REF		
	SWITCH, PUSHBUTTON, BLUE	406736	89536	406736	REF	1	
	SWITCH ASSEMBLY						
	SWITCH ACTUATOR	412106	89536	412106	REF		
	SWITCH TOP COVER	401299	89536	401299	REF		

Table 5-11. A7 Display PCB Assembly (cont)

REF DES	DESCRIPTION	FLUKE STOCK NO.	MFG SPLY CODE	MFG PART NO. OR TYPE	TOT QTY	REC QTY	N O T E
S20	SPRING, SWITCH, PUSHBUTTON	414516	00779	62353-3	REF		
	CONTACT, SWITCH, PUSHBUTTON	416875	00779	62380-4	REF		
	SWITCH, PUSHBUTTON, LT PUTTY GREY	401307	89536	401307	REF		
	SWITCH ASSEMBLY				REF		
	SWITCH ACTUATOR	412106	89536	412106	REF		
S21	SWITCH TOP COVER	401299	89536	401299	REF		
	SPRING, SWITCH, PUSHBUTTON	414516	00779	62353-3	REF		
	CONTACT, SWITCH, PUSHBUTTON	416875	00779	62380-4	REF		
	SWITCH, PUSHBUTTON, LT PUTTY GREY	401307	89536	401307	REF		
	SWITCH ASSEMBLY				REF		
S25	SWITCH ACTUATOR	412106	89536	412106	REF		
	SWITCH TOP COVER	401299	89536	401299	REF		
	SPRING, SWITCH, PUSHBUTTON	414516	00779	62353-3	REF		
	CONTACT, SWITCH, PUSHBUTTON	416875	00779	62380-4	REF		
	SWITCH, PUSHBUTTON, LT PUTTY GREY	401307	89536	401307	REF		
S26	SWITCH ASSEMBLY				REF		
	SWITCH ACTUATOR	412106	89536	412106	REF		
	SWITCH TOP COVER	401299	89536	401299	REF		
	SPRING, SWITCH, PUSHBUTTON	414516	00779	62353-3	REF		
	CONTACT, SWITCH, PUSHBUTTON	416875	00779	62380-4	REF		
S27	SWITCH, PUSHBUTTON, LT PUTTY GREY	401307	89536	401307	REF		
	SWITCH ASSEMBLY				REF		
	SWITCH ACTUATOR	412106	89536	412106	REF		
	SWITCH TOP COVER	401299	89536	401299	REF		
	CONTACT, SWITCH, PUSHBUTTON	416875	00779	62380-4	REF		
U1	SWITCH, PUSHBUTTON, LT PUTTY GREY	401307	89536	401307	REF		
	CONTACT, SWITCH, PUSHBUTTON	416875	00779	62380-4	REF		
	SWITCH, PUSHBUTTON, LT PUTTY GREY	401307	89536	401307	REF		
U2	IC, LIN, NPN, TRANSISTOR ARRAY	407866	02735	CA3081	3		1
U3	⊗IC, C-MOS, HEX INVERTER	404681	02735	CD4069BE	1		1
U4	⊗IC, C-MOS, HEX D FLIP FLOP	404509	12040	MM74C174N	3		1
U5	DISPLAY, LED	453282	29083	MAN4630A	2		1
U6	DISPLAY SET	440016	89536	440016	1		1
U7	DISPLAY SET	440016	89536	440016	REF		
U8	DISPLAY SET	440016	89536	440016	REF		
U9	DISPLAY SET	440016	89536	440016	REF		
U10	DISPLAY SET	440016	89536	440016	REF		
U11	⊗IC, C-MOS, QUAD, 2-INPUT NAND GATE	355198	02735	CD4011AE	1		1
U12	DISPLAY, LED	453282	29083	MAN4630A	REF		
U13	DISPLAY SET	440016	89536	440016	REF		
U14	DISPLAY, LED	453274	29083	MAN4610A	4		1
U15	DISPLAY, LED	453274	29083	MAN4610A	REF		
U16	⊗IC, C-MOS, DUAL, FLIP FLOP	340117	04713	MC14013CL	3		1
U17	RES NETWORK 4.7K	344069	89536	344069	2		1

Table 5-11. A7 Display PCB Assembly (cont)

REF DES	DESCRIPTION	FLUKE STOCK NO.	MFG SPLY CODE	MFG PART NO. OR TYPE	TOT QTY	REC QTY	N O T E
U18	⊗IC, C-MOS, RETRIGGERABLE/RESETTABLE	393512	04713	MC14528CP	1	1	
U19	⊗IC, C-MOS, DUAL 4-INPUT NAND GATE	355206	04713	MC14012CP	1	1	
U20	RES NETWORK 4.7K	344069	89536	344069	REF		
U21	IC, LIN, NPN, TRANSISTOR ARRAY	407866	02735	CA3081	REF		
U22	⊗IC, C-MOS, DUAL, FLIP FLOP	340117	04713	MC14013CL	REF		
U23	⊗IC, C-MOS, DUAL, FLIP FLOP	340117	04713	MC14013CL	REF		
U24	DISPLAY, LED	453274	29083	MAN4610A	REF		
U25	IC, LIN, NPN, TRANSISTOR ARRAY	407866	02735	CA3081	REF		
U26	DISPLAY, LED	453274	29083	MAN4610A	REF		
U27	⊗IC, C-MOS, HEX D FLIP FLOP	404509	12040	MM74C174N	REF		
U28	⊗IC, C-MOS, TRIPLE 3-INPUT NAND GATE	375147	04713	MC14023CP	1	1	
U29	RES, DUAL, IN LINE PACKAGE	358119	89536	358119	2	1	
U30	RES, DUAL, IN LINE PACKAGE	358119	89536	358119	REF		
U31	⊗IC, C-MOS, HEX D FLIP FLOP	404509	12040	MM74C174N	REF		
U32	⊗IC, C-MOS TRI STATE HEX NON INVRT BUFFER	407759	12040	MM80C97N	1	1	
U33	RESISTOR NETWORK, 4.7K	386961	89536	386961	1	1	
XF1	FUSEHOLDER ASSY (NOT SHOWN)				1		
	FUSEHOLDER	435628	89536	435628			
	CAP, WHITE	455857	89536	455857			
XU4	SOCKET, IC (NOT SHOWN)	453514	71785	133-59-90-0901/14E	13		
XU5	SOCKET, IC (NOT SHOWN)	453514	71785	133-59-90-0901/14E	REF		
XU6	SOCKET, IC (NOT SHOWN)	453514	71785	133-59-90-0901/14E	REF		
XU7	SOCKET, IC (NOT SHOWN)	453514	71785	133-59-90-0901/14E	REF		
XU8	SOCKET, IC (NOT SHOWN)	453514	71785	133-59-90-0901/14E	REF		
XU9	SOCKET, IC (NOT SHOWN)	453514	71785	133-59-90-0901/14E	REF		
XU10	SOCKET, IC (NOT SHOWN)	453514	71785	133-59-90-0901/14E	REF		
XU12	SOCKET, IC (NOT SHOWN)	453514	71785	133-59-90-0901/14E	REF		
XU13	SOCKET, IC (NOT SHOWN)	453514	71785	133-59-90-0901/14E	REF		
XU14	SOCKET, IC (NOT SHOWN)	453514	71785	133-59-90-0901/14E	REF		
XU15	SOCKET, IC (NOT SHOWN)	453514	71785	133-59-90-0901/14E	REF		
XU24	SOCKET, IC (NOT SHOWN)	453514	71785	133-59-90-0901/14E	REF		
XU26	SOCKET, IC (NOT SHOWN)	453514	71785	133-59-90-0901/14E	REF		



8502A-1623

Figure 5-11. A7 Display PCB Assembly



Table 5-12. A8 DC Signal Conditioner PCB Assembly

REF DES	DESCRIPTION	FLUKE STOCK NO.	MFG SPLY CODE	MFG PART NO. OR TYPE	TOT QTY	REC QTY	NOTE
A8	⊗DC SIGNAL CONDITIONER PCB ASSEMBLY FIGURE 5-12 (MIS-4100T)	383901	89536	383901	REF		
C1	CAP, TA, 5.6 UF +/-20%, 25V	368969	56289	196D565X0025KA1	2		
C2	CAP, TA, 5.6 UF +/-20%, 25V	368969	56289	196D565X0025KA1	REF		
C3	CAP, CER, 0.22 UF +/-20%, 50V	309849	72982	8131-050-651-220NM	2		
C4	CAP, CER, 0.22 UF +/-20%, 50V	309849	72982	8131-050-651-220NM	REF		
C5	CAP, TA, 30 UF +/-20%, 6V	163915	56289	196D396X0006	1		
C10	CAP, ELECT, 6.8 UF -10/+50%, 63V	218966	80031	ET6P8X063A3	2	1	
C11	CAP, ELECT, 6.8 UF -10/+50%, 63V	218966	80031	ET6P8X063A3	REF		
C12	CAP, MICA, 100 PF +/-5%, 500V	148494	02799	DM15F101J	2		
C13	CAP, CER, 0.01 UF +/-20%, 100V	149153	56289	CO23B101F103M	1		
C14	CAP, MICA, 100 PF +/-5%, 500V	148494	02799	DM15F101J	REF		
C15	CAP, MICA, 47 PF +/-5%, 500V	148536	02799	DM15E470J	2		
C16	CAP, MICA, 47 PF +/-5%, 500V	148536	02799	DM15E470J	REF		
C18	CAP, CER, 33 PF +/-2%, 100V	354852	80031	2222-638-10339	2		
C19	CAP, CER, 33 PF +/-2%, 100V	354852	80031	2222-638-10339	REF		
CR1	DIODE, HI-SPEED SWITCHING	203323	07910	1N4448	2	1	
CR2	DIODE, HI-SPEED SWITCHING	203323	07910	1N4448	REF		
CR3	DIODE, ZENER	181073	07910	1N969B	2	1	
CR4	DIODE, ZENER	181073	07910	1N969B	REF		
CR5	DIODE, SI, LOW-CAP, LOW LEAKAGE	348177	07263	FD7223	1	1	
H1	SCREW, RHP, 4-40 X 3/8	256164	89536	256164	1		
K1	RELAY, ARMATURE	515437	89536	515437	2		
K2	RELAY, ARMATURE	515437	89536	515437	REF		
MP1	CASE ASSY (INCLUDES MP2-MP9)	458992	89536	458992	1	1	
MP2	CASE HALF	402990	89536	402990	REF		
MP3	CASE HALF	402990	89536	402990	REF		
MP4	COVER, CASE	402974	89536	402974	REF		
MP5	SHIELD, COVER	411918	89536	411918	REF		
MP6	DECAL, DC SIGNAL CONDITIONER ASSY	413377	89536	413377	REF		
MP7	DECAL, CAUTION	454504	89536	454504	REF		
MP8	GUARD, REAR	383364	89536	383364	REF		
MP9	GUARD, FRONT	383356	89536	383356	REF		
MP11	TERMINAL, FEED-THROUGH (NOT SHOWN)	281865	12615	SL-841-777	1		
MP12	SOCKET, SPRING TYPE (NOT SHOWN)	343285	00779	2-331272-6	8		
MP13	SPACER (NOT SHOWN)	334797	32559	TO-35-15-E	1		
MP14	SPACER, TRANSIPAD (NOT SHOWN, USE W/Q37)	152207	07047	10123-DAP	1		
MP15	SPRING, COIL (NOT SHOWN)	424465	27745	CO120-014-0380M	1		
Q1	TRANSISTOR, NPN, SI	330803	07263	MPS6560	2	1	
Q2	TRANSISTOR, PNP, SI	195974	04713	2N3906	6	2	
Q3	TRANSISTOR, NPN, SI	330803	07263	MPS6560	REF		
Q4	TRANSISTOR, PNP, SI	195974	04713	2N3906	REF		
Q5	TRANSISTOR, PNP, SI	226290	04713	MPS3640	1	1	
Q6	TRANSISTOR, PNP, SI	195974	04713	2N3906	REF		
Q7	TRANSISTOR, NPN, SI	218396	04713	2N3904	11	3	
Q8	TRANSISTOR, FET, N-CHANNEL	393314	89536	393314	4	1	
Q10	TRANSISTOR, NPN, SI	218396	04713	2N3904	REF		
Q11	TRANSISTOR, NPN, SI	218396	04713	2N3904	REF		
Q12	TRANSISTOR, NPN, SI	218396	04713	2N3904	REF		

Table 5-12. A8 DC Signal Conditioner PCB Assembly (cont)

REF DES	DESCRIPTION	FLUKE STOCK NO.	MFG SPLY CODE	MFG PART NO. OR TYPE	TOT QTY	REC QTY	NOTE
Q13	TRANSISTOR, NPN, SI	218396	04713	2N3904	REF		
Q14	TRANSISTOR, FET, . N-CHANNEL	393314	89536	393314	REF		
Q15	TRANSISTOR, FET, . N-CHANNEL	393314	89536	393314	REF		
Q16	TRANSISTOR, FET, . N-CHANNEL	393314	89536	393314	REF		
Q18	TRANSISTOR, NPN, SI	585109	89536	585109	1	1	
Q19	TRANSISTOR, NPN, SI	295717	24355	AD811-00/17	1	1	
Q22	TRANSISTOR, NPN, SI	218396	04713	2N3904	REF		
Q23	TRANSISTOR, NPN, SI	218396	04713	2N3904	REF		
Q31	TRANSISTOR, PNP, SI	195974	04713	2N3906	REF		
Q32	TRANSISTOR, NPN, SI	218396	04713	2N3904	REF		
Q33	TRANSISTOR, PNP, SI	195974	04713	2N3906	REF		
Q34	TRANSISTOR, NPN, SI	218396	04713	2N3904	REF		
Q35	TRANSISTOR, PNP, SI	195974	04713	2N3906	REF		
Q36	TRANSISTOR, NPN, SI	218396	04713	2N3904	REF		
Q37	TRANSISTOR, PNP, SI	218388	07263	PN3645	1	1	
Q38	TRANSISTOR, NPN, SI	218396	04713	2N3904	REF		
R1	RES, DEP. CAR, 330 +/-5%, 1/4W	368720	80031	CR251-4-5P330E	1		
R2	RES, MTL. FILM, 28.0K +/-1%, 1/8W	291385	91637	CMF552802F	2		
R3	RES, MTL. FILM, 28.0K +/-1%, 1/8W	291385	91637	CMF552802F	REF		
R4	RES, MTL. FILM, 21K +/-1%, 1/8W	441212	91637	CMF552102F	2		
R5	RES, MTL. FILM, 17.8K +/-1%, 1/8W	349183	91637	CMF551782F	2		
R6	RES, DEP. CAR, 470 +/-5%, 1/4W	343434	80031	CR251-4-5P470E	1		
R7	RES, DEP. CAR, 10K +/-5%, 1/4W	348839	80031	CR251-4-5P10K	5		
R8	RES, COMP, 150K +/-5%, 2W	110122	01121	HB1545	1		
R9	RES, COMP, 150K +/-10%, 1/2W	108167	01121	EB15415	1		
R10	RES, DEP. CAR, 150 +/-5%, 1/4W	343442	80031	CR251-4-5P150E	1		
R11	RES, DEP. CAR, 47K +/-5%, 1/4W	348896	80031	CR251-4-5P47K	1		
R12	RES, DEP. CAR, 15 +/-5%, 1/4W	348755	80031	CR251-4-5P15E	2		
R13	RES, DEP. CAR, 15 +/-5%, 1/4W	348755	80031	CR251-4-5P15E	REF		
R15	RES, DEP. CAR, 1M +/-5%, 1/4W	348987	80031	CR251-4-5P1M	4		
R16	RES, DEP. CAR, 100K +/-5%, 1/4W	348920	80031	CR251-4-5P100K	8		
R17	RES, DEP. CAR, 100K +/-5%, 1/4W	348920	80031	CR251-4-5P100K	REF		
R18	RES, MTL. FILM, 21K +/-1%, 1/8W	441212	91637	CMF552102F	REF		
R19	RES, MTL. FILM, 17.8K +/-1%, 1/8W	349183	91637	CMF551782F	REF		
R21	RES, DIVIDER SET	434605	89536	434605	1	1	
R22	(PART OF R21 SET)						
R23	(PART OF R21 SET)				REF		
R24	RES, DC RANGE SET	409938	89536	409938	1	1	
R25	(PART OF R24 SET)				REF		
R26	(PART OF R24 SET)				REF		
R30	RES, DEP. CAR, 15K +/-5%, 1/4W	348854	80031	CR251-4-5P15K	1		
R31	RES, DEP. CAR, 10K +/-5%, 1/4W	348839	80031	CR251-4-5P10K	REF		
R32	RES, DEP. CAR, 10K +/-5%, 1/4W	348839	80031	CR251-4-5P10K	REF		
R33	RES, DEP. CAR, 10K +/-5%, 1/4W	348839	80031	CR251-4-5P10K	REF		
R34	RES, DEP. CAR, 10K +/-5%, 1/4W	348839	80031	CR251-4-5P10K	REF		
R35	RES, MTL. FILM, 1M +/-1%, 1/8W	268797	91637	CMF551004F	2		
R36	RES, CERMET, 100M +/-10%, 1W	441758	89536	441758	1		
R47	RES, VAR, CERMET, 200 +/-20%, 1/2W	284711	71450	190PC201B	1		
R48	RES, VAR, CERMET, 50 +/-20%. 1/2W	267815	71450	190PC500B	2		
R49	RES, VAR, CERMET, 50 +/-20%. 1/2W	267815	71450	190PC500B	REF		

Table 5-12. A8 DC Signal Conditioner PCB Assembly (cont)

REF DES	DESCRIPTION	FLUKE STOCK NO.	MFG SPLY CODE	MFG PART NO. OR TYPE	TOT QTY	REC QTY	N O T E
R50	RES, DEP. CAR, 2.2 +/-5%, 1/4W	354944	80031	CR251-4-5P2E2	1		
R51	RES, DEP. CAR, 20 +/-5%, 1/4W	442202	80031	CR251-4-5P20E	1		
R52	RES, VAR, CERMET, 100K +/-20%, 1/2W	268581	71450	190PC104B	1		
R53	RES, VAR, CERMET, 10K +/-20%, 1/2W	267880	71450	190PC103B	1		
R54	RES, SELECTED, DURING TEST				4		
R55	RES, SELECTED, DURING TEST				REF		
R56	RES, SELECTED, DURING TEST				REF		
R57	RES, SELECTED, DURING TEST				REF		
R58	RES, SET, MATCHED	290320	89536	290320	1	1	
R59	(PART OF R58 SET)				REF		
R61	RES, MTL. FILM, 86.6K +/-1%, 1/8W	291468	91637	CMF558662F	1		
R62	RES, MTL. FILM, 1M +/-1%, 1/8W	268797	91637	CMF551004F	REF		
R63	RES, MTL. FILM, 1.87K +/-1%, 1/8W	267229	91637	CMF551871F	1		
R64	RES, MTL. FILM, 1K +/-1%, 1/8W	168229	91637	CMF551001F	1		
R70	RES, MTL. FILM, 52.3K +/-1%, 1/8W	237248	91637	CMF555232	1		
R71	RES, MTL. FILM, 3.01K +/-1%, 1/8W	312645	91637	CMF553011F	1		
R72	RES, MTL. FILM, 3.65K +/-1%, 1/8W	293779	91637	CMF553651F	2		
R73	RES, MTL. FILM, 100K +/-1%, 1/8W	248807	91637	CMF551003F	2		
R74	RES, MTL. FILM, 100K +/-1%, 1/8W	248807	91637	CMF551003F	REF		
R75	RES, MTL. FILM, 80.6K +/-1%, 1/8W	281121	91637	CMF558062F	2		
R76	RES, MTL. FILM, 4.02 +/-1%, 1/8W	235325	91637	CMF554021F	1		
R77	RES, MTL. FILM, 200K +/-1%, 1/8W	261701	91637	CMF552003F	1		
R87	RES, DEP. CAR, 100K +/-5%, 1/4W	348920	80031	CR251-4-5P100K	REF		
R88	RES, DEP. CAR, 100K +/-5%, 1/4W	348920	80031	CR251-4-5P100K	REF		
R89	RES, DEP. CAR, 100K +/-5%, 1/4W	348920	80031	CR251-4-5P100K	REF		
R90	RES, DEP. CAR, 100K +/-5%, 1/4W	348920	80031	CR251-4-5P100K	REF		
R91	RES, DEP. CAR, 100K +/-5%, 1/4W	348920	80031	CR251-4-5P100K	REF		
R92	RES, DEP. CAR, 100K +/-5%, 1/4W	348920	80031	CR251-4-5P100K	REF		
R93	RES, DEP. CAR, 1M +/-5%, 1/4W	348987	80031	CR251-4-5P1M	REF		
R94	RES, DEP. CAR, 1M +/-5%, 1/4W	348987	80031	CR251-4-5P1M	REF		
R95	RES, DEP. CAR, 1M +/-5%, 1/4W	348987	80031	CR251-4-5P1M	REF		
R97	RES, MTL. FILM, 3.65K +/-1%, 1/8W	293779	91637	CMF553651F	REF		
R98	RES, MTL. FILM, 2.15K +/-1%, 1/8W	293712	91637	CMF552151F	1		
R99	RES, MTL. FILM, 80.6K +/-1%, 1/8W	281121	91637	CMF558062F	REF		
U1	⊗IC, COS/MOS, QUAD CLOCKED D LATCH	355149	02735	CD4042BE	1	1	
U2	⊗IC, C-MOS, TRIPLE 3 INPUT NAND GATES	375147	02735	CD4023UBE	1	1	
U3	IC, OP AMP, J-FET	357830	12040	LH0042C	2	1	
U4	IC, OP AMP, J-FET	357830	12040	LH0042C	REF		
U5	IC, OP AMP	271502	12040	LM301A	2	1	
U6	IC, OP AMP	271502	12040	LM301A	REF		
1	SEE TABLE 5-17 AT THE END OF SECTION 5.						

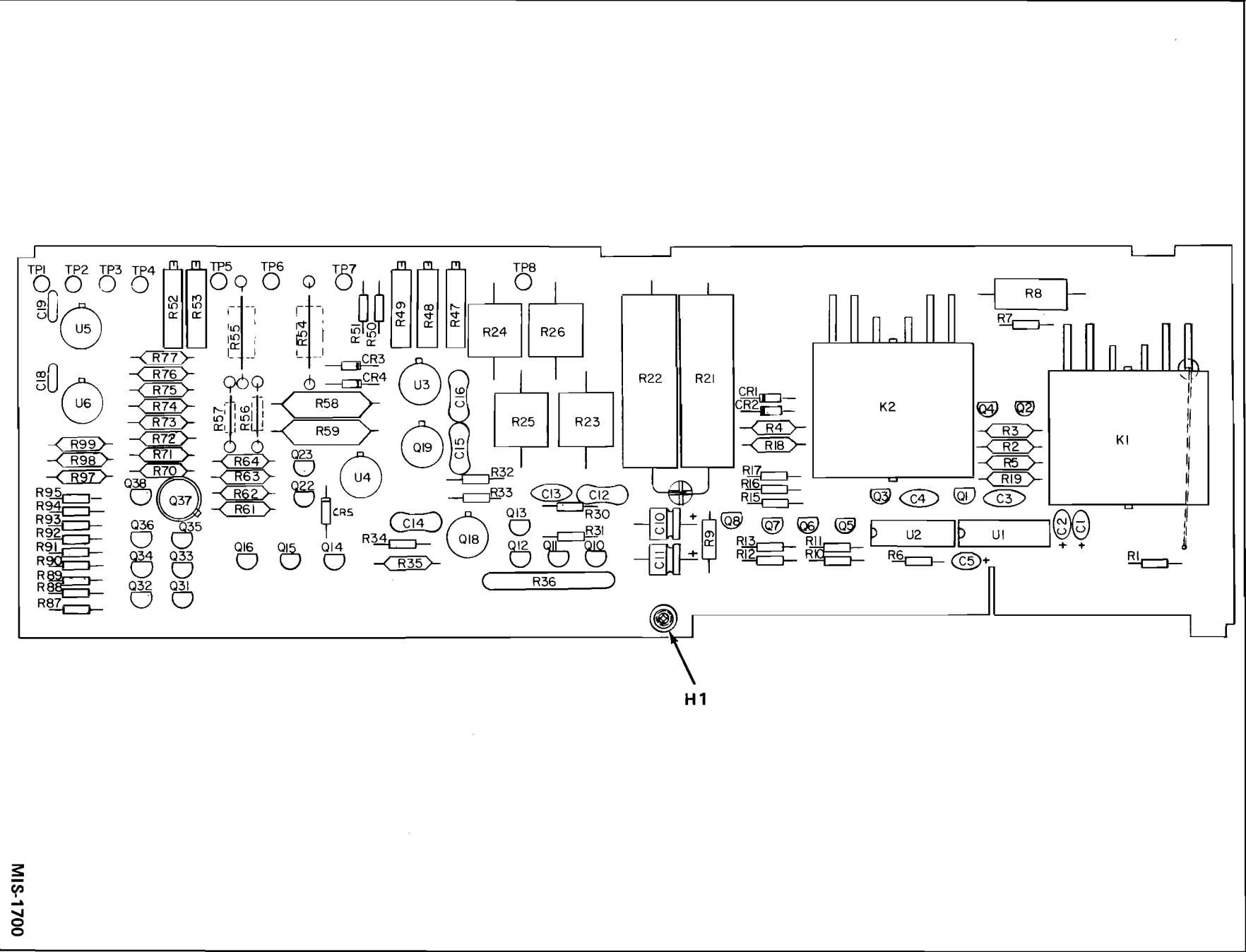


Figure 5-12. A8 DC Signal Conditioner PCB Assembly

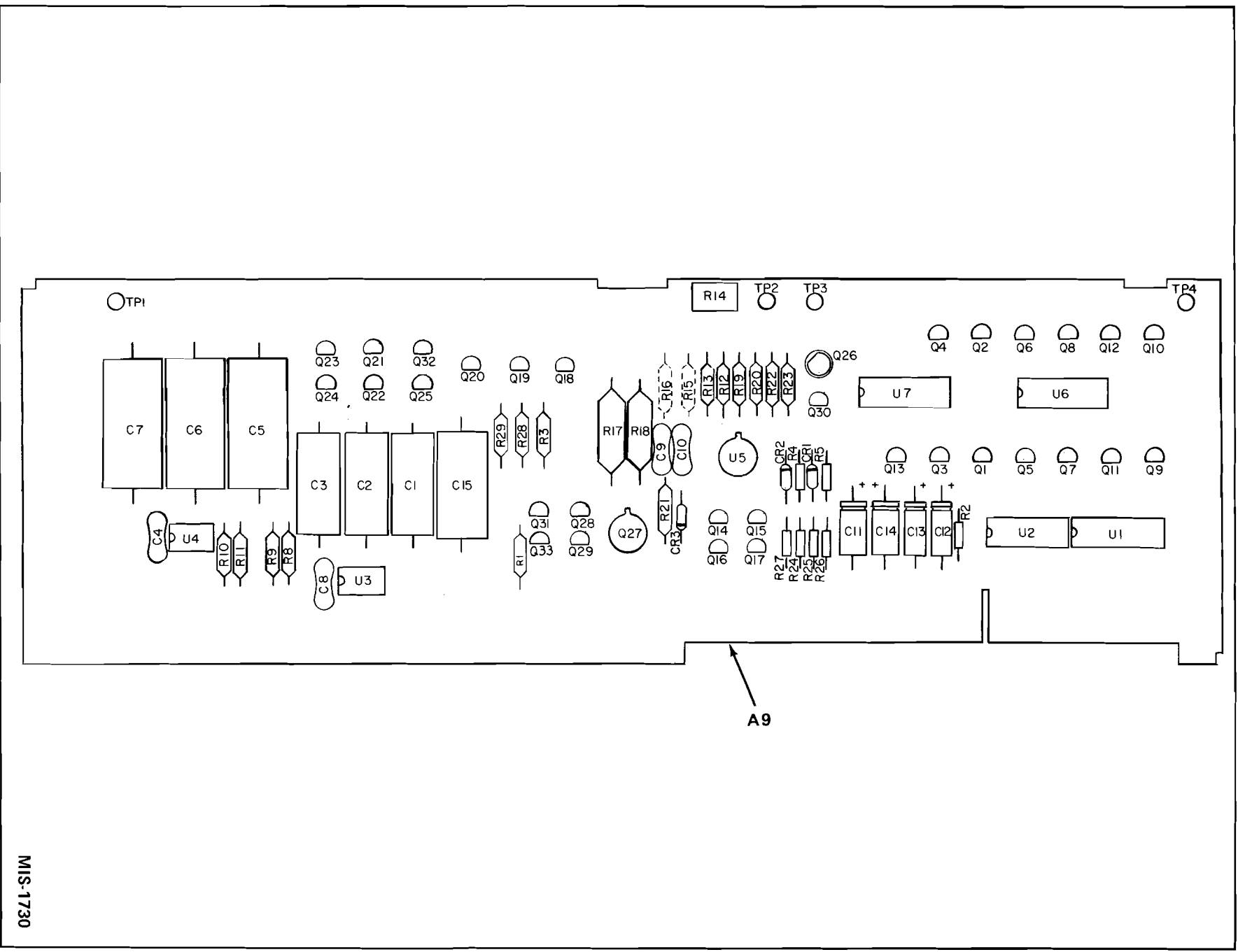
MIS-1700

Table 5-13. A9 Active Filter PCB Assembly

REF DES	DESCRIPTION	FLUKE STOCK NO.	MFG SPLY CODE	MFG PART NO. OR TYPE	TOT QTY	REC QTY	NO TE
A9	⊕ ACTIVE FILTER PCB ASSEMBLY FIGURE 5-13 (MIS-4130T)	383976	89536	383976	REF		
C1	CAP, POLYPROP, 0.047 UF +/-10%, 50V	413328	89536	413328	3		
C2	CAP, POLYPROP, 0.047 UF +/-10%, 50V	413328	89536	413328	REF		
C3	CAP, POLYPROP, 0.047 UF +/-10%, 50V	413328	89536	413328	REF		
C4	CAP, MICA, 33 PF +/-5%, 500V	160317	02799	DM15E330J	4		
C5	CAP, POLYPROP, 0.47 UF +/-10%, 50V	363085	89536	363085	3		
C6	CAP, POLYPROP, 0.47 UF +/-10%, 50V	363085	89536	363085	REF		
C7	CAP, POLYPROP, 0.47 UF +/-10%, 50V	363085	89536	363085	REF		
C8	CAP, MICA, 33 PF +/-5%, 500V	160317	02799	DM15E330J	REF		
C9	CAP, MICA, 33 PF +/-5%, 500V	160317	02799	DM15E330J	REF		
C10	CAP, MICA, 33 PF +/-5%, 500V	160317	02799	DM15E330J	REF		
C11	CAP, ELECT, 6.8 UF -10/+50%, 63V	218966	73445	ET6P8X063A3	2		
C12	CAP, ELECT, 10 UF -10/+50%, 25V	170266	73445	ET100X025A2	2		
C13	CAP, ELECT, 10 UF -10/+50%, 25V	170266	73445	ET100X025A2	REF		
C14	CAP, ELECT, 6.8 UF -10/+50%, 63V	218966	73445	ET6P8X063A3	REF		
C15	CAP, POLYPROP, 0.0022 UF +/-10%, 200V	442632	89536	442632	1		
CR1	DIODE, ZENER	260695	07910	1N754A	1	1	
CR2	DIODE, ZENER	386557	07910	1N960A	1	1	
CR3	DIODE, SI, HI SPEED SWITCHING	203323	07910	1N4448	1	1	
H1	SCREW, PHP, 4-40 X 3/8 (NOT SHOWN)	256164	89536	256164	1		
MP1	CASE, ASSY (INCLUDES MP2-MP9)	458976	89536	458976	1		1
MP2	CASE HALF	402990	89536	402990	REF		
MP3	CASE HALF	402990	89536	402990	REF		
MP4	COVER, CASE	402974	89536	402974	REF		
MP5	SHIELD, COVER	411959	89536	411959	REF		
MP6	DECAL, ACTIVE FILTER ASSY	413443	89536	413443	REF		
MP7	DECAL, CAUTION	454504	89536	454504	REF		
MP8	GUARD, REAR	383364	89536	383364	REF		
MP9	GUARD, FRONT	383356	89536	383356	REF		
MP10	SPACER (USE W/Q26) (NOT SHOWN)	152207	07047	10123DAP	1		
MP11	SOCKET (USE W/R15, R16) (NOT SHOWN)	343285	00779	2-331272-6	4		
MP12	SPRING, COIL (NOT SHOWN)	424465	83553	C0120-014-0380M	1		
Q1	TRANSISTOR, SI, PNP	195974	04713	2N3906	6	2	
Q2	TRANSISTOR, SI, NPN	218396	04713	2N3904	9	2	
Q3	TRANSISTOR, SI, PNP	195974	04713	2N3906	REF		
Q4	TRANSISTOR, SI, NPN	218396	04713	2N3904	REF		
Q5	TRANSISTOR, SI, PNP	195974	04713	2N3906	REF		
Q6	TRANSISTOR, SI, NPN	218396	04713	2N3904	REF		
Q7	TRANSISTOR, SI, PNP	195974	04713	2N3906	REF		
Q8	TRANSISTOR, SI, NPN	218396	04713	2N3904	REF		
Q9	TRANSISTOR, SI, PNP	195974	04713	2N3906	REF		
Q10	TRANSISTOR, SI, NPN	218396	04713	2N3904	REF		
Q11	TRANSISTOR, SI, PNP	195974	04713	2N3906	REF		
Q12	TRANSISTOR, SI, NPN	218396	04713	2N3904	REF		
Q13	TRANSISTOR, SI, PNP	226290	04713	MPS3640	1	1	
Q14	TRANSISTOR, FET, N-CHANNEL	393314	17856	J086	15	3	
Q15	TRANSISTOR, FET, N-CHANNEL	393314	17856	J086	REF		
Q16	TRANSISTOR, FET, N-CHANNEL	393314	17856	J086	REF		
Q17	TRANSISTOR, FET, N-CHANNEL	393314	17856	J086	REF		
Q18	TRANSISTOR, FET, N-CHANNEL	393314	17856	J086	REF		
Q19	TRANSISTOR, FET, N-CHANNEL	393314	17856	J086	REF		

Table 5-13. A9 Active Filter PCB Assembly (cont)

REF QES	DESCRIPTION	FLUKE STOCK NO.	MFG SPLY CODE	MFG PART NO. OR TYPE	TOT QTY	REC QTY	N O T E
Q20	TRANSISTOR, FET, N-CHANNEL	393314	17856	J086	REF		
Q21	TRANSISTOR, FET, N-CHANNEL	393314	17856	J086	REF		
Q22	TRANSISTOR, FET, N-CHANNEL	393314	17856	J086	REF		
Q23	TRANSISTOR, FET, N-CHANNEL	393314	17856	J086	REF		
Q24	TRANSISTOR, FET, N-CHANNEL	393314	17856	J086	REF		
Q25	TRANSISTOR, FET, N-CHANNEL	393314	17856	J086	REF		
Q26	TRANSISTOR, SI, PNP	218388	07263	PN3645	1	1	
Q27	TRANSISTOR, SI, NPN	284075	32293	ITS1099	1	1	
Q28	TRANSISTOR, SI, NPN	218396	04713	2N3904	REF		
Q29	TRANSISTOR, SI, NPN	218396	04713	2N3904	REF		
Q30	TRANSISTOR, SI, NPN	218396	04713	2N3904	REF		
Q31	TRANSISTOR, FET, N-CHANNEL	393314	17856	J086	REF		
Q32	TRANSISTOR, FET, N-CHANNEL	393314	17856	J086	REF		
Q33	TRANSISTOR, FET, N-CHANNEL	393314	17856	J086	REF		
R1	RES, DEP. CAR, 6.2K +/-5%, 1/4W	442368	80031	CR251-4-5P6K2	1		
R2	RES, DEP. CAR, 150 +/-5%, 1/4W	343442	80031	CR251-4-5P150E	1		
R3	RES, MTL. FILM, 51.1K +/-5%, 1/8W	289553	91637	CMF555112F	1		
R4	RES, DEP. CAR, 8.2K +/-5%, 1/4W	441675	80031	CR251-4-5P8K2	2		
R5	RES, DEP. CAR, 8.2K +/-5%, 1/4W	441675	80031	CR251-4-5P8K2	REF		
R8	RES, MTL. FILM, 45.3K +/-1%, 1/8W	234971	91637	CMF554532F	4		
R9	RES, MTL. FILM, 45.3K +/-1%, 1/8W	234971	91637	CMF554532F	REF		
R10	RES, MTL. FILM, 45.3K +/-1%, 1/8W	234971	91637	CMF554532F	REF		
R11	RES, MTL. FILM, 45.3K +/-1%, 1/8W	234971	91637	CMF554532F	REF		
R12	RES, MTL. FILM, 12.1K +/-1%, 1/8W	234997	91637	CMF551212F	3		
R13	RES, MTL. FILM, 4.87K +/-1%, 1/8W	294850	91637	CMF554871F	1		
R14	RES, VAR, CERMET, 20K +/-10%, 1/2W	291609	89536	291609	1		
R15	RES, SELECTED, DURING TEST						
R16	RES, SELECTED, DURING TEST						
R17	RES, MTL. FILM, 1M +/-1%, 1/2W	327510	91637	CMF651004F	2		
R18	RES, MTL. FILM, 1M +/-1%, 1/2W	327510	91637	CMF651004F	REF		
R19	RES, MTL. FILM, 12.1K +/-1%, 1/8W	234997	91637	CMF551212F	REF		
R20	RES, MTL. FILM 249K +/-1%, 1/8W	268805	91637	CMF552493F	2		
R21	RES, MTL. FILM, 57.6K +/-1%, 1/8W	289116	91637	CMF555762F	1		
R22	RES, MTL. FILM, 12.1K +/-1%, 1/8W	234997	91637	CMF551212F	REF		
R23	RES, MTL. FILM, 249K +/-1%, 1/8W	268805	91637	CMF552493F	REF		
R24	RES, DEP. CAR, 15 +/-5%, 1/4W	348755	80031	CR251-4-5P15E	2		
R25	RES, DEP. CAR, 100 +/-5%, 1/4W	348771	80031	CR251-4-5P100E	2		
R26	RES, DEP. CAR, 100 +/-5%, 1/4W	348771	80031	CR251-4-5P100E	REF		
R27	RES, DEP. CAR, 15 +/-5%, 1/4W	348755	80031	CR251-4-5P15E	REF		
R28	RES, MTL. FILM, 26.7K +/-1%, 1/8W	245779	91637	CMF552672F	2		
R29	RES, MTL. FILM, 26.7K +/-1%, 1/8W	245779	91637	CMF552672F	REF		
U1	⊗ IC, C-MOS, HEX "D" FLIP FLOP	404509	12040	MM74C174N	1	1	
U2	⊗ IC, C-MOS, TRIPLE 3-INPUT NAND GATES	375147	02735	CD4023UBE	1	1	
U3	IC, LINEAR, OP AMP	363515	12040	LM301AN	2	1	
U4	IC, LINEAR, OP AMP	363515	12040	LM301AN	REF		
U5	IC, LINEAR, OP AMP	392902	12040	LM1436H	1	1	
U6	RESISTOR NETWORK, 100K +/-5%, 1/4W	404749	89536	404749	1	1	
U7	RESISTOR NETWORK, 100K +/-5%, 1/4W	380618	89536	380618	1	1	
1	SEE TABLE 5-17 AT THE END OF SECTION 5.						



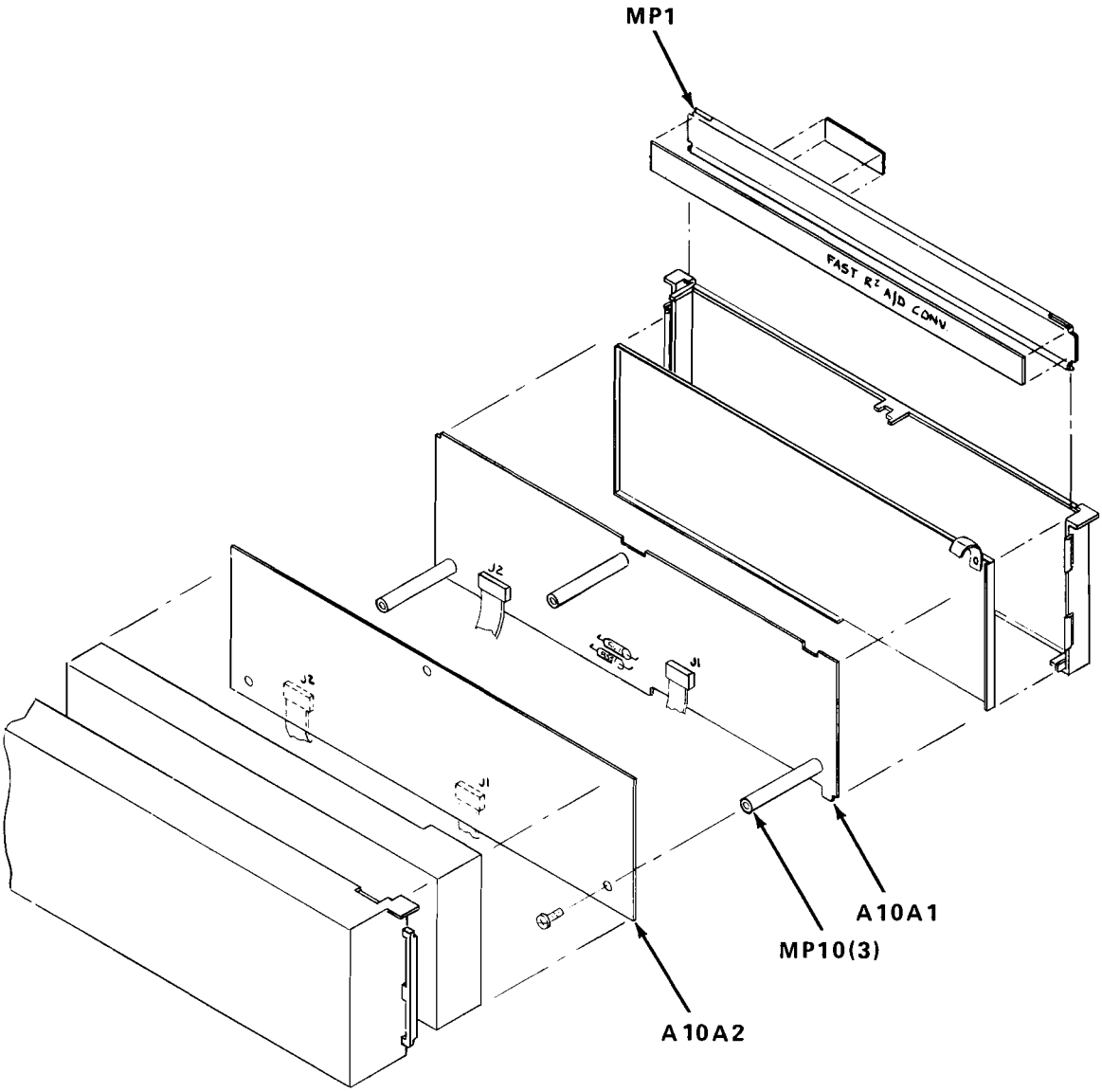
MIS-1730

Figure 5-13. A9 Active Filter PCB Assembly

Table 5-14. A10 Fast R<sup>2</sup> A/D Converter Assembly

REF DES	DESCRIPTION	FLUKE STOCK NO.	MFG SPLY CODE	MFG PART NO. OR TYPE	TOT QTY	REC QTY	NO TE
A10	FAST R <sup>2</sup> A/D CONVERTER ASSEMBLY FIGURE 5-14 (MIS-4140T)	383984	89536	383984		REF	
A10A1	A/D ANANLOG PCB ASSEMBLY	ORDER	NEXT	HIGHER ASSEMBLY			
A10A2	A/D DIGITAL PCB ASSEMBLY	ORDER	NEXT	HIGHER ASSEMBLY			
MP1	CASE ASSY (INCLUDES MP2-MP9)	458968	89536	458968	1		1
MP2	CASE HALF	402990	89536	402990		REF	
MP3	CASE HALF, MODIFIED	402982	89536	402982		REF	
MP4	COVER, CASE	402974	89536	402974		REF	
MP5	SHIELD, COVER	411967	89536	411967		REF	
MP6	DECAL, FAST RR CONVERTER ASSY	413450	89536	413450		REF	
MP7	DECAL, CAUTION	454504	89536	454504		REF	
MP8	GUARD, REAR	383364	89536	383364		REF	
MP9	GUARD, FRONT	383315	89536	383315		REF	
MP10	SPACER	152207	07047	10123DAP		3	
	1 SEE TABLE 5-17 AT THE END OF SECTION 5.						





MIS-4140

Figure 5-14. A10 Fast R2 A/D Converter Assembly

Table 5-15. A10A1 A/D Analog PCB Assembly

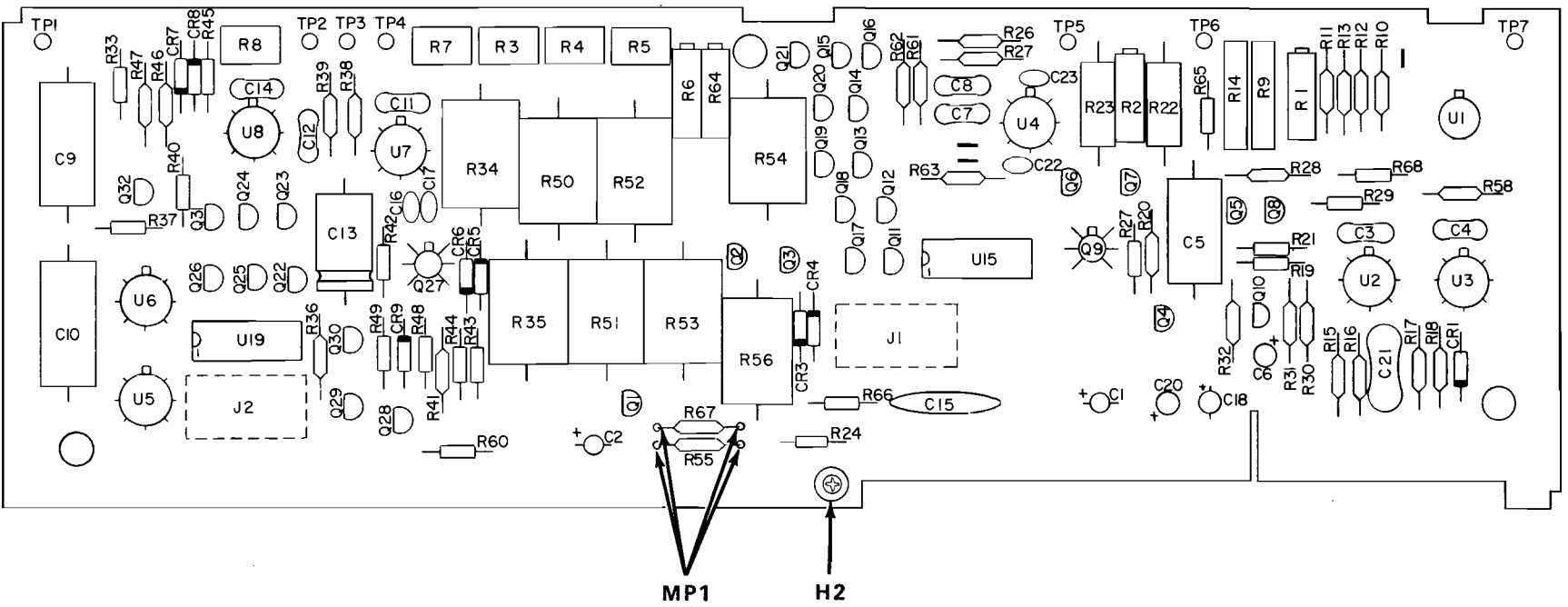
REF DES	DESCRIPTION	FLUKE STOCK NO.	MFG SPLY CODE	MFG PART NO. OR TYPE	TOT QTY	REC QTY	N O T E
A10A1	A/D ANALOG PCB ASSEMBLY FIGURE 5-15 (MIS-4140)	383752	89536	383752		REF	
C1	CAP, TA, 10 UF +/-20%, 35V	417683	56289	196D106X0035KA1	2		
C2	CAP, TA, 10 UF +/-20%, 35V	417683	56289	196D106X0035KA1		REF	
C3	CAP, MICA, 33 PF +/-5%, 500V	160317	72136	DM15E330J	1		
C4	CAP, MICA, 30 PF +/-5%, 500V	340570	72136	DM15E300J	1		
C5	CAP, FILM, 0.22 UF +/-10%, 80V	159392	56289	192P2249R8	1		
C6	CAP, TA, 4.7 UF +/-20%, 25V	161943	56289	196D475X0025KA1	1		
C7	CAP, MICA, 150 PF +/-5%, 500V	148478	72136	DM15F151J	2		
C8	CAP, MICA, 150 PF +/-5%, 500V	148478	72136	DM15F151J		REF	
C9	CAP, POLYST, 0.047 UF +/-10%, 100V	260562	84411	863UW47391	2		
C10	CAP, POLYST, 0.047 UF +/-10%, 100V	260562	84411	863UW47391		REF	
C11	CAP, MICA, 47 PF +/-5%, 500V	148536	72136	DM15E470J	3		
C12	CAP, MICA, 47 PF +/-5%, 500V	148536	72136	DM15E470J		REF	
C13	CAP, ELECT, 470 UF -10/+50%, 6.3V	187773	80031	ET471X6P3A6	1		
C14	CAP, MICA, 47 PF +/-5%, 500V	148536	72136	DM15E470J		REF	
C15	CAP, CER, 0.0047 UF +/-10%, 500V	106724	71590	CF-472	1		
C16	CAP, CER, 0.22 UF +/-20%, 50V	309849	71590	CW30C224K	4		
C17	CAP, CER, 0.22 UF +/-20%, 50V	309849	71590	CW30C224K		REF	
C18	CAP, TA, 68 UF +/-20%, 25V	446450	56289	196D686X0025TE4	1		
C20	CAP, TA, 0.22 UF +/-20%, 35V	161331	56289	196D224X0035HA1	1		
C21	CAP, MICA, 1800 PF +/-5%, 500V	148533	72136	DM19F182J	1		
C22	CAP, CER, 0.22 UF +/-20%, 50V	309849	71590	CW30C224K		REF	
C23	CAP, CER, 0.22 UF +/-20%, 50V	309849	71590	CW30C224K		REF	
CR1	DIODE, HI-SPEED, SWITCHING	203323	07910	1N4448	2		1
CR3	DIODE, SI LO-CAP, LO-LEAK	348177	07263	FD7223	4		1
CR4	DIODE, SI LO-CAP, LO-LEAK	348177	07263	FD7223		REF	
CR5	DIODE, SI, CONTROLLER FWD VOL	234468	07910	TD9039	2		1
CR6	DIODE, SI, CONTROLLER FWD VOL	234468	07910	TD9039		REF	
CR7	DIODE, SI LO-CAP, LO-LEAK	348177	07263	FD7223		REF	
CR8	DIODE, SI LO-CAP, LO-LEAK	348177	07263	FD7223		REF	
CR9	DIODE, HI-SPEED, SWITCHING	203323	07910	1N4448		REF	
H1	SCREW, PHP, 4-40 X 1/4 (NOT SHOWN)	256156	89536	256156	3		
H2	SCREW, RHP, 4-40 X 3/8	256164	89536	256164	1		
J1	SOCKET	276535	91506	316-AG39D	2		
J2	SOCKET	276535	91506	316-AG39D		REF	
MP1	SOCKET, COMP. LEAD (TO R55, R67)	343285	00779	2-331272-6	4		
MP2	SPRING, COIL (NOT SHOWN)	424465	83553	C0120-014-0380	1		
MP3	SPACER, XSTR, (NOT SHOWN)	152207	07047	10123-DAP	1		
Q1	TRANSISTOR, FET (SELECTED)	256487	89536	256487	1		1
Q2	TRANSISTOR, FET (SELECTED)	256487	89536	256487		REF	
Q3	TRANSISTOR, FET (SELECTED)	256487	89536	256487		REF	
Q4	TRANSISTOR, FET, N-CHANNEL	343830	89536	343830	5		1
Q5	TRANSISTOR, FET, N-CHANNEL	343830	89536	343830		REF	
Q6	TRANSISTOR, FET, N-CHANNEL	343830	89536	343830		REF	
Q7	TRANSISTOR, FET, N-CHANNEL	343830	89536	343830		REF	
Q8	TRANSISTOR, FET, N-CHANNEL	343830	89536	343830		REF	
Q9	TRANSISTOR, FET, DUAL, N-CHANNEL	376087	89536	376087	2		1
Q10	TRANSISTOR, SI, NPN	218396	04713	2N3904	1		1

Table 5-15. A10A1 A/D Analog PCB Assembly (cont)

REF DES	DESCRIPTION	FLUKE STOCK NO.	MFG SPLY CODE	MFG PART NO. OR TYPE	TOT QTY	REC QTY	NO TE
Q11	TRANSISTOR, FET (SELECTED)	256487	89536	256487	REF		
Q12	TRANSISTOR, FET (SELECTED)	256487	89536	256487	REF		
Q13	TRANSISTOR, FET (SELECTED)	256487	89536	256487	REF		
Q14	TRANSISTOR, FET (SELECTED)	256487	89536	256487	REF		
Q15	TRANSISTOR, FET (SELECTED)	256487	89536	256487	REF		
Q16	TRANSISTOR, FET (SELECTED)	256487	89536	256487	REF		
Q17	TRANSISTOR, FET, N-CHANNEL	261578	89536	261578	12	3	
Q18	TRANSISTOR, FET, N-CHANNEL	261578	89536	261578	REF		
Q19	TRANSISTOR, FET, N-CHANNEL	261578	89536	261578	REF		
Q20	TRANSISTOR, FET, N-CHANNEL	261578	89536	261578	REF		
Q21	TRANSISTOR, FET, N-CHANNEL	261578	89536	261578	REF		
Q22	TRANSISTOR, FET, N-CHANNEL	261578	89536	261578	REF		
Q23	TRANSISTOR, FET, N-CHANNEL	261578	89536	261578	REF		
Q24	TRANSISTOR, FET, N-CHANNEL	261578	89536	261578	REF		
Q25	TRANSISTOR, FET (SELECTED)	256487	89536	256487	REF		
Q26	TRANSISTOR, FET (SELECTED)	256487	89536	256487	REF		
Q27	TRANSISTOR, FET, DUAL, N-CHANNEL	376087	89536	376087	REF		
Q28	TRANSISTOR, SI, PNP	195974	04713	2N3906	1	1	
Q29	TRANSISTOR, FET, N-CHANNEL	261578	89536	261578	REF		
Q30	TRANSISTOR, FET, N-CHANNEL	261578	89536	261578	REF		
Q31	TRANSISTOR, FET, N-CHANNEL	261578	89536	261578	REF		
Q32	TRANSISTOR, FET, N-CHANNEL	261578	89536	261578	REF		
R1	RES, VAR, CERMET, 500 +/-20%, 1/2W	267849	75378	190PC501B	1		
R2	RES, VAR, CERMET, 10 +/-20%, 1/2W	344135	75378	190PC100B	2		
R3	RES, VAR, CERMET, 500 +/-10%, 1/2W	291120	89536	291120	1		
R4	RES, VAR, CERMET, 200 +/-10%, 1/2W	285148	89536	285148	1		
R5	RES, VAR, CERMET, 50 +/-10%, 1/2W	285122	89536	285122	2		
R6	RES, VAR, CERMET, 20 +/-20%, 1/2W	261180	75378	190PC200B	1	1	
R7	RES, VAR, CERMET, 50 +/-10%, 1/2W	285122	89536	285122	REF		
R8	RES, VAR, CERMET, 50K +/-10%, 1/2W	288290	89536	288290	1		
R9	REF. AMP SET (U1,R9,R14,R15,R16)	415034	89536	415034	REF		
R10	RES, MTL. FILM, 3.4K +/-1%, 1/8W	260323	91637	MFF1-83401F	1		
R11	RES, MTL. FILM, 12.1 +/-1%, 1/8W	296608	91637	MFF1-812R1F	2		
R12	RES, MTL. FILM, 24.3 +/-1%, 1/8W	281816	91637	MFF1-824R3F	1		
R13	RES, MTL. FILM, 12.1 +/-1%, 1/8W	296608	91637	MFF1-812R1F	REF		
R14	REF. AMP SET (U1,R9,R14,R15,R16)	415034	89536	415034	REF		
R15	REF. AMP SET (U1,R9,R14,R15,R16)	415034	89536	415034	REF		
R16	REF. AMP SET (U1,R9,R14,R15,R16)	415034	89536	415034	REF		
R17	RES, MTL. FILM, 10K +/-1%, 1/8W	328120	91637	MFF1-81002F	2		
R18	RES, MTL. FILM, 10K +/-1%, 1/8W	328120	91637	MFF1-81002F	REF		
R19	RES, DEP. CAR, 100K +/-5%, 1/4W	348920	80031	CR251-4-5P100K	3		
R20	RES, MTL. FILM, 10K +/-1%, 1/8W	168260	91637	MFF1-81002F	3		
R21	RES, DEP. CAR, 100K +/-5%, 1/4W	348920	80031	CR251-4-5P100K	REF		
R22	RES SET (R22, R23)	409896	89536	409896	1		
R23	RES SET (R22, R23)	409896	89536	409896	REF		
R24	RES, DEP. CAR, 470 +/-5%, 1/4W	343434	80031	CR251-4-5P470E	1		
R25	RES, MTL. FILM, 42.2K +/-1%, 1/8W	221655	91637	MFF1-84222F	2		
R26	RES, MTL. FILM, 42.2K +/-1%, 1/8W	221655	91637	MFF1-84222F	REF		
R27	RES, DEP. CAR, 62 +/-5%, 1/4W	441634	80031	CR251-4-5P62E	1		
R28	RES, MTL. FILM, 10K +/-1%, 1/8W	168260	91637	MFF1-81002F	3		

Table 5-15. A10A1 A/D Analog PCB Assembly (cont)

REF DES	DESCRIPTION	FLUKE STOCK NO.	MFG SPLY CODE	MFG PART NO. OR TYPE	TOT QTY	REC QTY	N O T E
R29	RES, DEP. CAR, 33K +/-5%, 1/4W	348888	80031	CR251-4-5P33K	2		
R30	RES, MTL. FILM, 10K +/-1%, 1/8W	168260	91637	MFF1-81002F	REF		
R31	RES, MTL. FILM, 11.3K +/-1%, 1/8W	293639	91637	MFF1-81132F	1		
R32	RES, MTL. FILM, 24.9K +/-1%, 1/8W	291369	91637	MFF1-82492F	1		
R33	RES, DEP. CAR, 47 +/-5%, 1/4W	441592	80031	CR251-4-5P47E	2		
R34	RES SET (R34,R35,R50-54,R56)	409946	89536	409946	1		1
R35	RES SET (R34,R35,R50-54,R56)	409946	89536	409946	REF		
R36	RES, MTL. FILM, 26.7K +/-1%, 1/8W	245779	91637	MFF1-82672F	1		
R37	RES, DEP. CAR, 47 +/-5%, 1/4W	441592	80031	CR251-4-5P47E	REF		
R38	RES, MTL. FILM, 75K +/-1%, 1/8W	291443	91637	MFF1-87502F	3		
R39	RES, MTL. FILM, 75K +/-1%, 1/8W	291443	91637	MFF1-87502F	REF		
R40	RES, DEP. CAR, 15K +/-5%, 1/4W	348854	80031	CR251-4-5P15K	2		
R41	RES, MTL. FILM, 75K +/-1%, 1/8W	291443	91637	MFF1-87502F	REF		
R42	RES, DEP. CAR, 3K +/-5%, 1/4W	441527	80031	CR251-4-5P3K	1		
R43	RES, DEP. CAR, 510 +/-5%, 1/4W	441600	80031	CR251-4-5P510E	1		
R44	RES, DEP. CAR, 1.5K +/-5%, 1/4W	343418	80031	CR251-4-5P1K5	1		
R45	RES, DEP. CAR, 470K +/-5%, 1/4W	342634	80031	CR251-4-5P470K	1		
R46	RES, MTL. FILM, 665 +/-1%, 1/8W	320028	91637	MFF1-86650F	1		
R47	RES, MTL. FILM, 1M +/-1%, 1/8W	268797	91637	MFF1-81004F	1		
R48	RES, DEP. CAR, 15K +/-5%, 1/4W	348854	80031	CR251-4-5P15K	REF		
R49	RES, DEP. CAR, 100K +/-5%, 1/4W	348920	80031	CR251-4-5P100K	REF		
R50	RES SET (R34,R35,R50-54,R56)	409946	89536	409946	REF		
R51	RES SET (R34,R35,R50-54,R56)	409946	89536	409946	REF		
R52	RES SET (R34,R35,R50-54,R56)	409946	89536	409946	REF		
R53	RES SET (R34,R35,R50-54,R56)	409946	89536	409946	REF		
R54	RES SET (R34,R35,R50-54,R56)	409946	89536	409946	REF		
R55	RES, MTL. FILM, 56.2 +/-1%, 1/8W	305938	91637	MFF1-856R2F	1		
R56	RES SET (R34,R35,R50-54,R56)	409946	89536	409946	REF		
R58	RES, MTL. FILM, 2573 +/-0.1%, 1/8W	321463	91637	MFF1-82573F	1		
R60	RES, DEP. CAR, 33K +/-5%, 1/4W	348888	80031	CR251-4-5P33K	REF		
R61	RES, MTL. FILM, 57.6K +/-1%, 1/8W	289116	91637	MFF1-85762F	1		
R62	RES, MTL. FILM, 66.5K +/-1%, 1/8W	289082	91637	MFF1-86652F	1		
R63	RES, MTL. FILM, 100K +/-1%, 1/8W	248807	91637	MFF1-81003F	1		
R64	RES, VAR, CERMET, 10 +/-20%, 1/2W	344135	75378	190PC100B	REF		
R65	RES, DEP. CAR, 820 +/-5%, 1/4W	442327	80031	CR251-4-5P820E	1		
R66	RES, DEP. CAR, 5.1K +/-5%, 1/4W	368712	80031	CR251-4-5P5K1	1		
R67	RES, MTL. FILM, 18.7 +/-1%, 1/8W	441776	91637	MFF1-812R7F	1		
R68	RES, DEP. CAR, 1M +/-5%, 1/4W	348987	80031	CR251-4-5P1M	1		
U1	REF. AMP SET (U1,R9,R14,R15,R16)	415034	89536	415034	1		1
U2	IC, OP AMP	271502	12040	LM301A	2		1
U3	IC, OP AMP	271502	12040	LM301A	REF		
U4	IC, OP AMP, J-FET, INPUT	310037	12040	LH0042CH	2		1
U5	IC, LIN, VOL, FOLLOWER	288365	12040	LM310H	2		1
U6	IC, LIN, VOL, FOLLOWER	288365	12040	LM310H	REF		
U7	IC, OP AMP, J-FET, INPUT	310037	12040	LH0042CH	REF		
U8	IC, OP AMP	225961	24355	AD3092	1		1
U15	RES NETWORK, 33K	413146	89536	413146	1		1
U19	RES NETWORK, 100K	380618	89536	380618	1		1

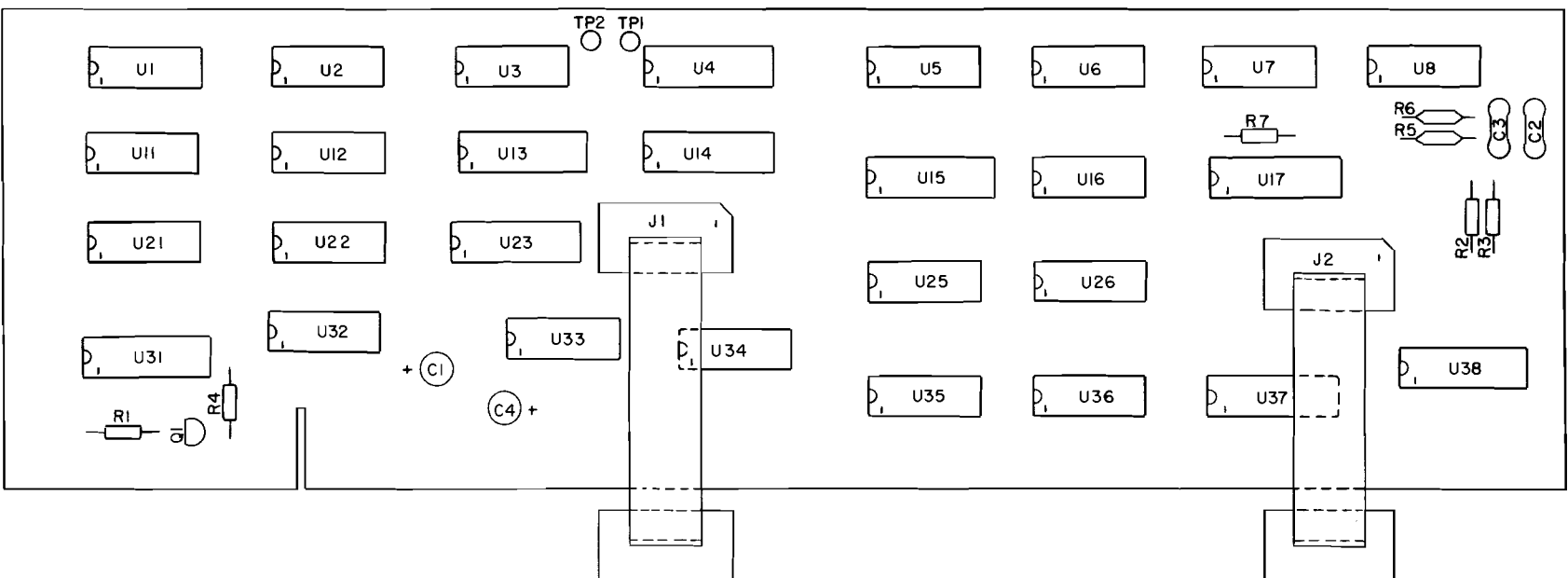


MIS-1740

Figure 5-15. A10A1 A/D Analog PCB Assembly

Table 5-16. A10A2 Fast R<sup>2</sup> A/D Converter Digital PCB Assembly

REF DES	DESCRIPTION	FLUKE STOCK NO.	MFG SPLY CODE	MFG PART NO. OR TYPE	TOT QTY	REC QTY	NOTE
A10A2	⊗ FAST R <sup>2</sup> A/D CONV DGTL PCB ASSEMBLY FIGURE 5-16 (MIS-4141)	383760	89536	383760		REF	
C1	CAP, TA, 220 UF +/-20%, 6V	408682	56289	196D227X0006TE4	2		
C2	CAP, MICA, 82 PF +/-5%, 500V	148502	72136	DM15F820J	2		
C3	CAP, MICA, 82 PF +/-5%, 500V	148502	72136	DM15F820J		REF	
C4	CAP, TA, 220 UF +/-20%, 6V	408682	56289	196D227X0006TE4		REF	
J1	CABLE ASSY, 16 PIN CONN	380576	08261	5122-003.5	2		
J2	CABLE ASSY, 16 PIN CONN	380576	08261	5122-003.5		REF	
Q1	TRANSISTOR, SI, PNP	226290	04713	MPS3640	1		
R1	RES, DEP. CAR, 47K +/-5%, 1/4W	348896	80031	CR251-4-5P47K	1		
R2	RES, DEP. CAR, 20K +/-5%, 1/4W	441477	80031	CR251-4-5P20K	2		
R3	RES, DEP. CAR, 20K +/-5%, 1/4W	441477	80031	CR251-4-5P20K		REF	
R4	RES, DEP. CAR, 150 +/-5%, 1/4W	343442	80031	CR251-4-5P150E	1		
R5	RES, MTL. FILM, 100K +/-1%, 1/8W	248807	91637	MFF1-81003F	2		
R6	RES, MTL. FILM, 100K +/-1%, 1/8W	248807	91637	MFF1-81003F		REF	
R7	RES, DEP. CAR, 100K +/-5%, 1/4W	348920	80031	CR251-4-5P100K	1		
U1	⊗ IC, C-MOS, DUAL TYPE D FLIP FLOP	340117	02735	CD4013AE	9		2
U2	⊗ IC, C-MOS, DUAL TYPE D FLIP FLOP	340117	02735	CD4013AE		REF	
U3	⊗ IC, C-MOS, HEX INVERTER	404681	02735	CD4069BE	3		1
U4	RES NETWORK	380618	89536	380618	3		1
U5	⊗ IC, C-MOS, DUAL, COMPLEMENTARY	408013	02735	CD4007AE	1		1
U6	⊗ IC, C-MOS, DUAL TYPE D FLIP FLOP	340117	02735	CD4013AE		REF	
U7	⊗ IC, C-MOS, HEX INVERTER	404681	02735	CD4069BE		REF	
U8	⊗ IC, C-MOS, QUAD, 2-INPUT NAND GATES	355198	02735	CD4011AE	2		1
U11	⊗ IC, C-MOS, DUAL TYPE D FLIP FLOP	340117	02735	CD4013AE		REF	
U12	⊗ IC, C-MOS, DUAL TYPE D FLIP FLOP	340117	02735	CD4013AE		REF	
U13	RES NETWORK	380618	89536	380618		REF	
U14	IC, LINEAR, 5 XSTR ARRAY	380188	02735	CA3183E	3		1
U15	IC, LINEAR, 5 XSTR ARRAY	380188	02735	CA3183E		REF	
U16	⊗ IC, C-MOS, QUAD, 2-INPUT OR GATE	408393	02735	CD4071BE	2		1
U17	IC, LINEAR, 5 XSTR ARRAY	380188	02735	CA3183E		REF	
U21	⊗ IC, C-MOS, HEX INVERTER	404681	02735	CD4069BE		REF	
U22	⊗ IC, C-MOS, DUAL TYPE D FLIP FLOP	340117	02735	CD4013AE		REF	
U23	IC, LINEAR, 5 XSTR ARRAY	477778	89536	477778	2		1
U25	⊗ IC, C-MOS, QUAD, 2-INPUT AND GATE	408401	02735	CD4081BE	1		1
U26	IC, DGTL, C-MOS, QUAD, 2-INPUT OR GATE	408393	02735	CD4071BE		REF	
U31	⊗ IC, C-MOS, DIV BY -8, COUNTER/DIV	403360	02735	CD4022AE	1		1
U32	⊗ IC, C-MOS, DUAL TYPE D FLIP FLOP	340117	02735	CD4013AE		REF	
U33	⊗ IC, C-MOS, QUAD, 2-INPUT NAND GATES	375147	02735	CD4023AE	1		1
U34	⊗ IC, C-MOS, DUAL TYPE D FLIP FLOP	340117	02735	CD4013AE		REF	
U35	⊗ IC, C-MOS, DUAL TYPE D FLIP FLOP	340117	02735	CD4013AE		REF	
U36	⊗ IC, C-MOS, QUAD, 2-INPUT NAND GATES	355198	02735	CD4011AE		REF	
U37	RES NETWORK	380618	89536	380618		REF	
U38	IC, LINEAR, 5 XSTR ARRAY	477778	89536	477778		REF	



MIS-1741

Figure 5-16. A10A2 Fast R2 A/D Converter Digital PCB Assembly

Table 5-17. Module Case Assembly

PCB ASSY	CASE ASSY	CASE HALF MODULE	CASE HALF MODF'D	COVER MODULE CASE	SHIELD, COVER	DECAL ASSY	DECAL CAUTION	GUARD REAR	GUARD FRONT
A6 OLD	471326	402990	402990	486340	440008	453696	454504	383364	383356
A6 NEW	611665	402990	402990	402974	440008	536029	454504	383364	383356
A8	458992	402990	402990	402974	411918	413377	454504	383364	383356
A9	458976	402990	402990	402974	411959	413443	454504	383364	383356
A10	458968	402990	402982	402974	411967	413450	454504	383364	383315
OPT-01	459016	402990	402990	402974	411926	413385	454504	383364	383356
OPT-02	458927	402990	402990	402974	411942	413435	454504	383364	383356
OPT-03	459008	402990	402990	402974	412015	413419	454504	383364	383356
OPT-04	458919	402990	402990	402974	411975	413484	454504	383364	383356
OPT-05	458935	402990	456079	402974	441022	413518	454504	383364	NONE
OPT-06	458943	402990	412031	402974	411983	413492	454504	383364	NONE
OPT-07	458950	402990	427625	402974	411991	413500	454504	383364	NONE
OPT-08A	459024	402990	402990	402974	437939	413534	454504		
LEFT								437947	487298
RIGHT								383349	487280
OPT-09A	425231	402990	402990	402974	468462	413401	454504	383364	383356



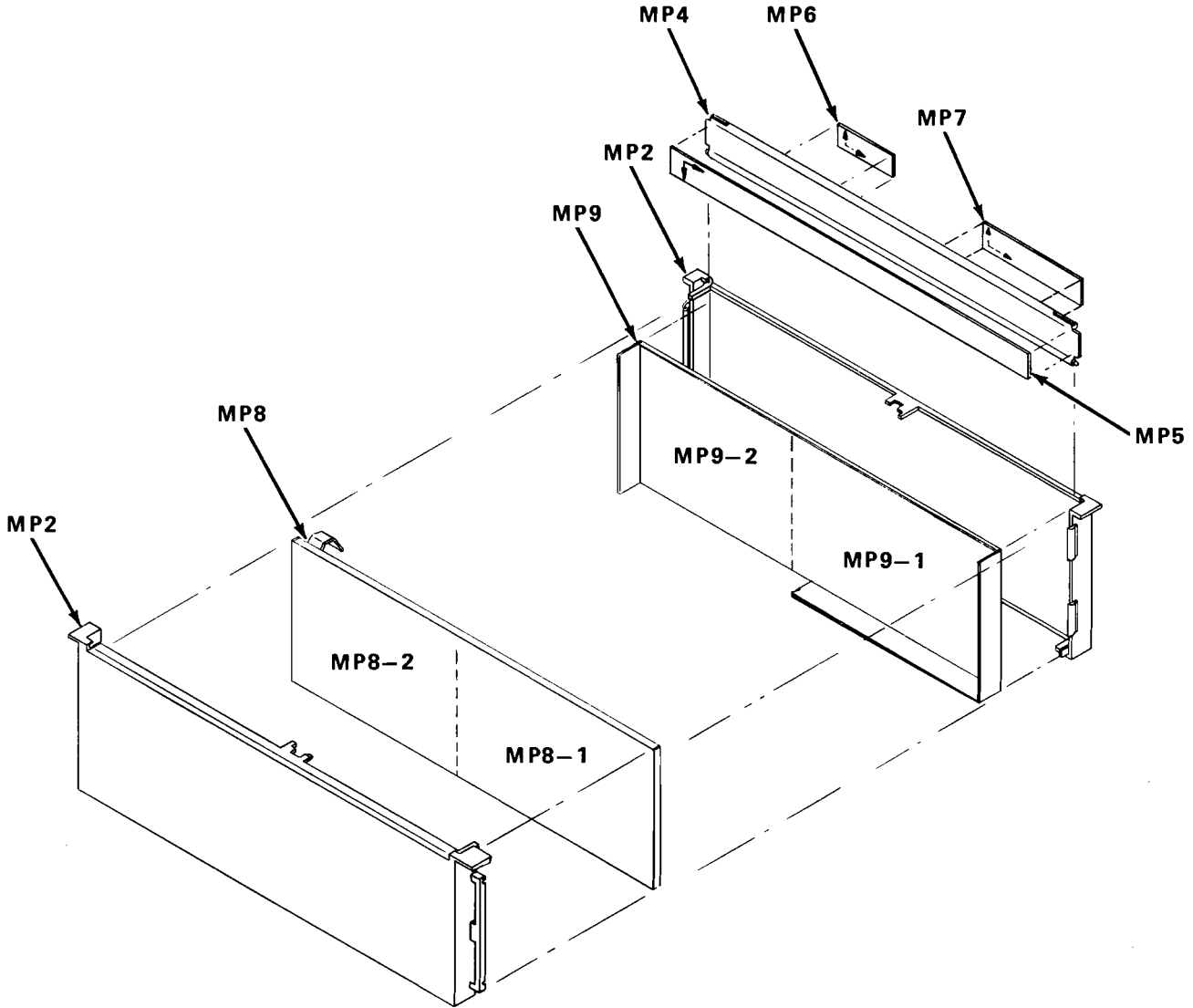


Figure 5-17. MP1 Module Case Assembly

8500A-4160

## Section 6

# Option & Accessory Information

### TABLE OF CONTENTS

OPTION/ MODEL NO.	DESCRIPTION	DOCUMENTATION SUPPLIED:	PAGE NO.
<b>ACCESSORIES</b>			
M04-205-600	Rack Ear Mounting Assembly . . . . .	Herein	600-1
80F-5	High Voltage Probe . . . . .	Herein	600-1
80F-15	High Voltage Probe . . . . .	Herein	600-2
81RF	High Frequency Probe . . . . .	Herein	600-2
82RF	High Frequency Probe . . . . .	Herein	600-2
KDM1	Keyboard Display Module . . . . .	Herein	600-2
<b>OPTIONS</b>			
-01	AC/DC Converter (Averaging) . . . . .	With Option	601-1
-02	Ohms Converter . . . . .	With Option	602-1
-03	Current Shunts . . . . .	With Option	603-1
-04	Calibration Memory . . . . .	With Option	604-1
-05	IEEE Standard 488-1975 Interface . . . . .	With Option	605-1
-06	Bit Serial Asynchronous Interface . . . . .	With Option	606-1
-07	Parallel Interface . . . . .	With Option	607-1
-08A	Isolator . . . . .	With Option	608-1
-09A	AC/DC Converter (RMS). . . . .	With Option	609-1
-16	Switchable Front-Rear Inputs . . . . .	With Option	616-1
-17	Rear Input. . . . .	With Option	617-1

## 6-1. INTRODUCTION

6-2. This section of the manual employs modular construction. 8502A accessory information is included first; page and paragraph numbering is described by a 600-X series where X is the page or paragraph number.

6-3. Should you order optional modules with your 8502A, appropriate subsections will be included in this

manual. Page and paragraph numbering for any option subsection will be a 6YY-X series where YY is the option number (01, 07, etc.) and X is the page or paragraph number.

6-4. Up-to-date manual subsections will be included with any further options you may order. These subsections can easily be added to this manual.

### WARNING

**POSSIBILITY OF ELECTRICAL SHOCK EXISTS WHEN OPTION -17 IS INSTALLED. FRONT AND REAR INPUTS ARE PARALLEL CONNECTED; INPUTS APPLIED AT EITHER SET OF TERMINALS WILL BE PRESENT AT THE OTHER. NEVER LEAVE TEST LEADS CONNECTED TO BOTH FRONT AND REAR TERMINALS. ALWAYS REMOVE FRONT PANEL TERMINAL STRAPS WHEN USING THE REAR INPUTS.**

## Accessories

### 600-1. RACK EAR MOUNTING ASSEMBLY

600-2. Figure 600-1 illustrates installation of the Rack Ear Mounting Assembly. Use the following procedure.

1. Remove the nameplate decals from handles.
2. Remove the screws from handles.
3. Attach rack ears with # 8 - 32 x 5/8 PHP screws (enclosed in kit).
4. Remove the front screws from top and bottom cover which match the hole pattern in trim items.
5. Attach trim angle on top cover and trim channel on bottom cover with # 6 - 32 x 3/8 PHP screws and lock washer (enclosed in kit).

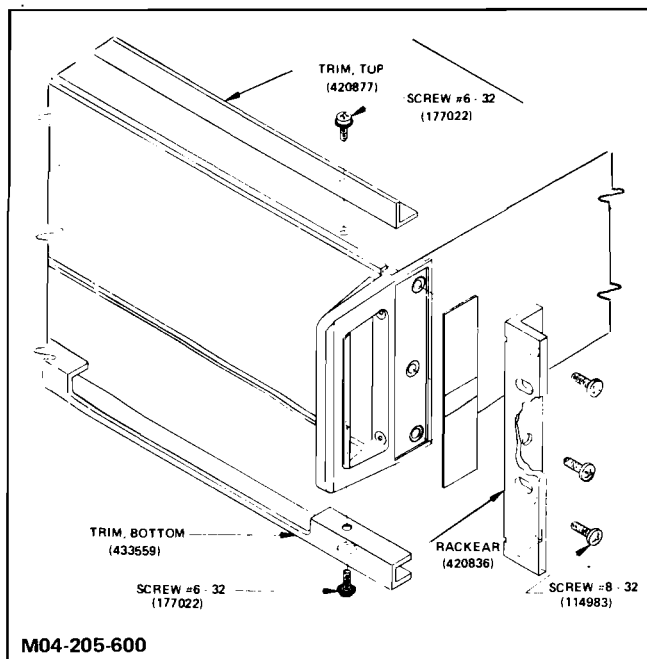


Figure 600-1. Rack Ear Mounting Installation

### 600-3. HIGH VOLTAGE PROBE (80F-5)

600-4. The Model 80F-5 Voltage Divider shown in Figure 600-2 allows measurement of up to 5k volts dc to be made using FLUKE 800, 900, and 8000 series voltmeters. Division ratio of this accessory is 1000:1. Accuracy and stability of the division ratio is ensured using special metal film resistors having matched temperature coefficients.

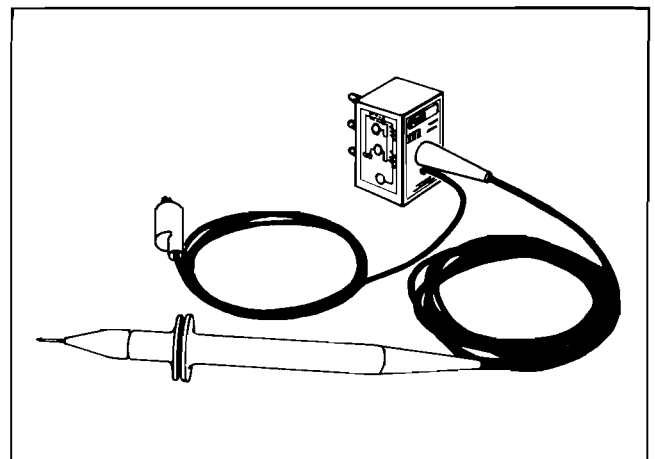


Figure 600-2. 80F5 Voltage Divider

600-5. Physical design of the Model 80F-5 allows direct mating to the input terminals of the FLUKE voltmeters. A high voltage probe facilitates connection to the measurement source. Maintenance is minimized by encapsulation of the divider components.

600-6. Three versions of the Model 80F-5 are available. The basic Model 80F-5 is used with voltmeters having a 10 megohm input resistance. An (01) Option is provided

for voltmeters having an 11 megohm input resistance, and an (02) Option is provided for voltmeters having an infinite input resistance ( $10^3$  megohms or greater) at null.

### 600-7. HIGH VOLTAGE PROBE (80F-15)

600-8. The Accessory Model 80F-15 Voltage Divider, shown in Figure 6-7, allows measurement of up to 15k volts dc to be made using FLUKE 800, 900, and 8000 series voltmeters. Division ratio of this accessory is 1000:1. Accuracy and stability of the division ratio is ensured using special metal film resistors having matched temperature coefficients.

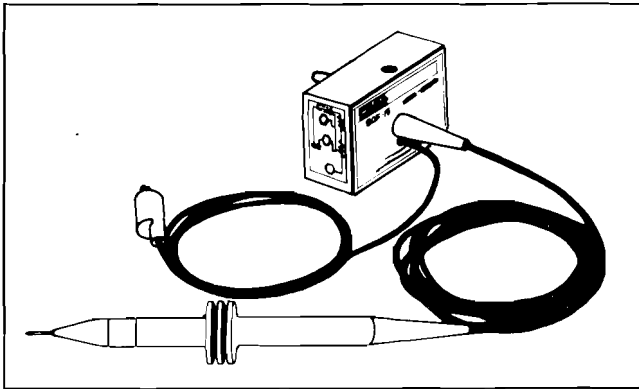


Figure 600-3. 80F-15 Voltage Divider

600-9. Physical design of the Model 80F-15 allows direct mating to the input terminals of the FLUKE voltmeters. A high voltage probe facilitates connection to the measurement source. Maintenance is minimized by encapsulation of the divider components.

600-10. Three versions of the Model 80F-15 are available. The basic Model 80F-15 is used with voltmeters having a 10 megohm input resistance. An (01) Option is provided for voltmeters having an 11 megohm input resistance, and an (02) Option is provided for voltmeters having an infinite input resistance ( $10^3$  megohm or greater) at null.

### 600-11. HIGH FREQUENCY PROBE (81 RF)

600-12. The Model 81RF High Frequency Probe, Figure 600-4, extends the frequency range of the DVM/DMM to include 100 kHz to 100 MHz for ac voltage measurements from 0.25 to 30V rms. The 81RF operates in conjunction with the dc voltage ranges, and is connected to the DVM/DMM using a shielded dual-banana plug and, when necessary, a dual banana adaptor.

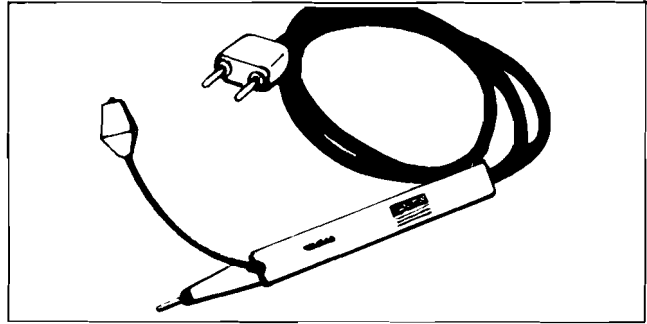


Figure 600-4. 81RF High Frequency Probe

### 600-13. HIGH FREQUENCY PROBE (82RF)

600-14. The Model 82RF High Frequency Probe, Figure 600-5, allows measurements over a frequency range of 100 kHz to 500 MHz from 0.25 to 30V rms. It is designed to be used with voltmeters having an input impedance of 10 megohms + 10%. It may be used with a voltmeter having an input impedance higher than 10 megohms provided the input is externally shunted to make the equivalent input impedance equal to 10 megohms.

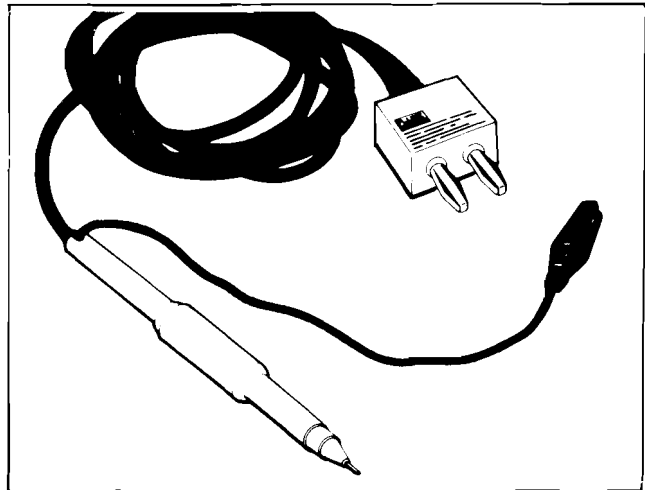


Figure 600-5. 82RF High Frequency Probe

600-15. Circuitry within the 82RF consists of a capacitor-coupled rectifier circuit which responds to the peak value of the input waveform. The output is positive polarity dc which is calibrated to be equivalent to the rms value of a sine wave.

### 600-16. KEYBOARD DISPLAY MODULE (KDM1)

600-17. The Micon KDM1 Keyboard Display Module is a LED display terminal (with a connecting cable) for use with the Bit Serial Asynchronous Interface (Option --06). Standard ASCII characters are used on the keyboard to facilitate programming the 8500A/AE.

## Option —01 AC/DC Converter (Averaging)

### 601-1 INTRODUCTION

601-2. The Average Responding AC Converter is used to convert ac signals to dc levels which can be measured by the A/D Converter. A maximum input of 1000V rms (or  $2 \times 10^7$  Volt-hertz product, whichever is less) may be applied with resolutions available to one microvolt. Input impedance is 1 M $\Omega$  with less than 100 pf shunt capacity.

### 601-3. SPECIFICATIONS

601-4. Table 601-1 lists the specifications for the -01 option.

### 601-5. INSTALLATION

601-6. Refer to Section 4 of this manual under Module Installation and Removal for instructions on installing modules. The interconnect diagram in Section 8 contains a table listing the permissible and preferred slots for each module.

### 601-7. OPERATING NOTES

601-8. The operating instructions given in Section 2 of this manual apply for operation of the instrument with the AC/DC Converter (Averaging) installed. The lowest range available through the average responding ac converter is the 1V range.

601-9. For rated accuracy below 400 Hz, the slow filter (FILTER LED on) must be selected. This selects additional filtering in the ac converter as well as in the Active Filter module. External reference measurements may be made as described in Section 2 but the external reference inputs must be dc only.

601-10. Once the instrument is zeroed for DC Volts, no additional zeroing is required for AC Volts measurements. Using the Offset function as an AC Volts zero could result

in greater error due to the nature of the floor digits specifications.

### 601-11. THEORY OF OPERATION

601-12. The AC/DC Converter accepts signals either from the input terminals or from the optional current shunts module (RT1 and RT3). Refer to Figure 601-1. Input signals are applied to the input range amplifier, U1, through a dc blocking capacitor, C1, and a 2 M $\Omega$  resistor, R2. R2 establishes the input resistance of the amplifier. U1 is a voltage amplifier controlling a current source, Q4 and Q6. Q4 and Q6 change the low impedance of U1 to a high impedance for driving CR10 and CR11. The high impedance at the collectors of Q4 and Q6 minimizes error introduced by the nonlinearity of CR10 and CR11, which have a relatively low impedance.

601-13. Distortion of the waveform occurs at the collectors of Q4 and Q6 due to the nonconducting regions of CR10 and CR11. During the portion of the waveform in which CR10 and CR11 are not conducting, the feedback path of the amplifier is effectively broken and the gain of the amplifier becomes very high. The time required for the waveform to cross the nonconducting region is determined by the slew rate of the amplifier. When CR10 and CR11 are conducting, the gain of the amplifier is controlled by R18 and associated parallel resistors as selected by K3, K4, and K5.

601-14. U6 is configured as a differential amplifier having a gain of approximately 8 times the average-to-rms scaling factor of 1.11. Signals from CR10 and CR11 are applied to U6 through a matched temperature coefficient resistor set which provides the gain setting for U6, and filtering with capacitors C18, C19, C21, and C22. When the slow filter is selected, additional filtering, C17 and C20, is switched in by Q12 and Q13.

Table 601-1. AC/DC Converter (Averaging) Specifications Accuracy

ACCURACY						
(Refer to the Specifications table in Section 1 for required environmental conditions)						
Accuracy (0.1% of Range to Full Scale) $\pm$ (% of Input + No. of Digits)						
Frequency	24 Hours		90 Days		1 Year	
	0 to 500V	Above 500V	0 to 500V	Above 500V		
30 Hz to 50 Hz	0.3 + 5	0.4 + 5	0.5 + 5	0.55 + 5	1.0 + 5	1.0 + 5
50 Hz to 10 kHz	0.035 + 5	0.075 + 5	0.05 + 5	0.1 + 5	0.1 + 5	0.2 + 5
10 kHz to 40 kHz	—	0.1 + 5	—	0.15 + 5	—	0.3 + 5
10 kHz to 50 kHz (4)	0.075 + 5	—	0.1 + 5	—	0.2 + 5	—
50 kHz to 100 kHz (5)	0.3 + 5	—	0.5 + 5	—	1.0 + 5	—
<p><b>NOTES:</b> 1. Volt-Hertz product not to exceed <math>2 \times 10^7</math>.</p> <p>2. Slow Filter must be used below 400 Hz for full accuracy.</p> <p>3. For high resolution multiply No. of digits by 10.</p> <p>4. On 1V range add 7 digits.</p> <p>5. On 1V range add 35 digits.</p>						
OPERATING CHARACTERISTICS						
INPUT CHARACTERISTICS					COMMON MODE NOISE REJECTION (100 $\Omega$ Unbalance)	
Range	Full Scale	Resolution		Impedance	> 120 dB, dc to 60 Hz	
		Normal	High			
1V	2.5V	10 $\mu$ V	1 $\mu$ V	1 M $\Omega$ , <100 pF	<b>TEMPERATURE COEFFICIENT</b> (0 $^{\circ}$ C to 18 $^{\circ}$ C and 28 $^{\circ}$ C to 50 $^{\circ}$ C)  30 Hz to 50 kHz $\pm$ (30 ppm/reading $\pm$ 0.5 digit)/ $^{\circ}$ C 50 kHz to 100 kHz $\pm$ (100 ppm/reading $\pm$ 1 digit)/ $^{\circ}$ C	
10V	20V	100 $\mu$ V	10 $\mu$ V			
100V	160V	1 mV	100 $\mu$ V			
1000V	1000V	10 mV	1 mV			
<b>Maximum Input</b> —1000V rms or $2 \times 10^7$ volt-hertz product, whichever is less.					<b>SETTLING TIME (To Within 0.05%)</b>  100 ms, Fast Filter 500 ms, Slow Filter	
					<b>DIGITIZING TIME</b>  Same as dc volts	

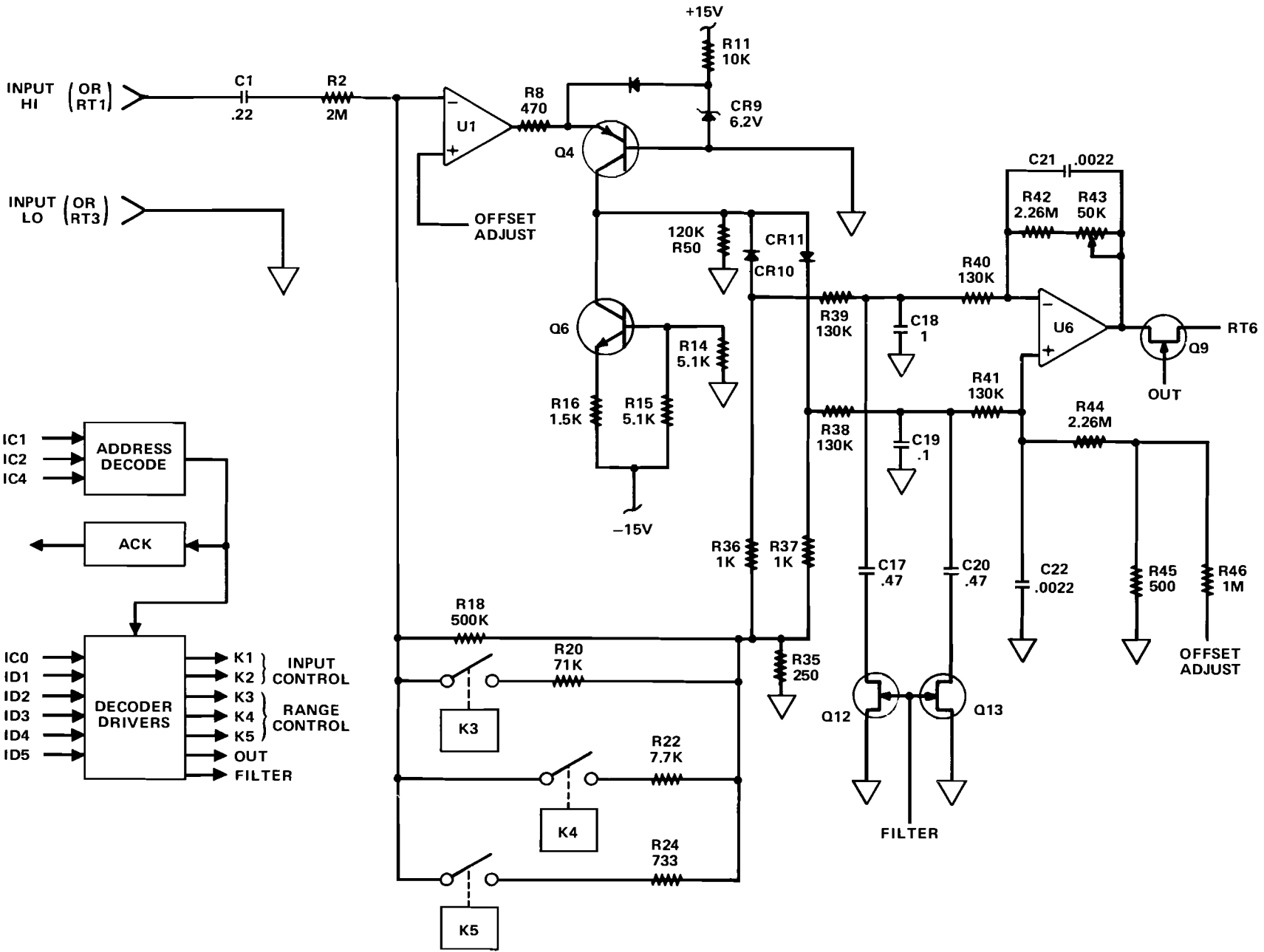


Figure 601-1. AC/DC Converter (Averaging)



**601-15. MAINTENANCE**

**601-16. Performance Test**

601-17. Sequentially apply the inputs listed in Table 601-2, ensuring that the reading is between the limits specified.

**Table 601-2. Performance Test**

Input Freq	Voltage	8500 Reading	
		Low	High
10 kHz	1 V	0.99945	1.00055
50 kHz	1 V	0.99895	1.00105
10 kHz	10 V	9.9945	10.0055
50 kHz	10 V	9.9895	10.0105
10 kHz	100 V	99.945	100.055
50 kHz	100 V	99.895	100.105
10 kHz	1000 V	998.95	1001.05

**601-18. Calibration**

601-19. Use the DC portion of the instrument to adjust the AC balance of the AC/DC Converter using the following procedure.

1. Select DC Volts, 100 mV range, and slow filtering (FILTER indicator illuminated).

2. Connect TP1 on the AC/DC Converter to the Input HI terminal.
3. Adjust R17 (AC Balance) for a reading of  $0 \pm 20 \mu V$ .
4. Remove the connection between TP1 and Input HI.

601-20. Select AC Volts and manually select the 1000V range. Connect the AC Calibrator to the instrument. Sequentially apply the inputs listed in Table 601-3, making adjustments as required to the nominal value. Repeat steps 1 through 6 until all six steps are within the stated tolerance without amking any adjustments. Those inputs for which no adjustment is listed are to verify that the averaging Converter is within tolerance.

601-21. The adjustment in step 13 is performed using a computation derived from the readings in steps 13 and 14 if either step is out of tolerance. Use the following procedure to compute the value of the adjustment:

1. Subtract and record the absolute value of the reading in step 13 from the absolute value of the nominal reading, e.g. if the reading was 18.9322 you would subtract 189322 from 190000 for a result of +678.
2. Subtract and record the absolute value of the reading in step 14 from the absolute value of the nominal reading, e.g. if the reading was 1.90503 you would subtract 190503 from 190000 for a result of -503.

**Table 601-3. Calibration Chart**

Step	Input			Reading			Adjust
	Range	Voltage	Frequency	Minimum	Nominal	Maximum	
1	1000V	500	500 Hz	499.93	500.00	500.07	R43
2	1000V	500	60 kHz	499.92	500.00	500.08	C23
3	1000V	1	500 Hz	0.99	1.00	1.01	R47
4	1000V	1	100 kHz	0.97	0.98	0.98	C16
5	1V	1	500 Hz	0.99993	1.00000	1.00007	R19
6	1V	1	60 kHz	0.99975	1.00000	0.99990	C8
7	10V	10	500 Hz	9.9993	10.0000	10.0007	R21
8	10V	10	60 kHz	9.9991	10.0000	10.0009	C10
9	100V	100	500 Hz	99.993	100.000	100.007	R23
10	100V	100	60 kHz	99.991	100.000	100.009	C25
11	100V	100	10 kHz	99.975	100.000	100.025	
12	10V	19	30 Hz	18.9615	19.0000	19.0385	
13	10V	19	100 kHz	18.9520	19.0000	19.0480	
14	1V	1.9	100 kHz	1.89520	1.90000	1.90480	(R55)
15	1V	1.9	10 kHz	1.89520	1.90000	1.90050	
16	1V	.1	500 Hz	0.09995	0.10000	0.10005	
17	1000V	1000	20 kHz	999.50	1000.00	1000.50	
18	1V	5 0.025	50 kHz	0.02492	0.02500	0.02508	
19	1V	0.025	100 kHz	0.02465	0.02500	0.02535	

3. Algebraically add the two recorded results and double the result. With the example readings inserted the result is:  $2*[+678+(-503)] = +350$ .
4. With R55 adjust the reading in step 13. If the number is positive (+) increment the reading the computed number of digits, if it is negative (-) decrement the reading the computed number of digits.
5. Repeat the process until both readings are within the stated tolerances.

contains symptom analysis of the AC Converter and address and data information.

**601-24. PARTS LIST**

601-25. Table 601-5 contains a parts breakdown for the AC/DC Converter (Averaging). Refer to Section 5 of this manual for ordering and use code information.

**601-22. Troubleshooting**

601-23. Table 601-4 contains a procedure to ensure the problem actually is in the AC Converter. Figure 601-2



**Indicated devices are subject to damage by static discharge.**

**Table 601-4. AC Converter Isolation**

STEP NO.	ACTION	Go to the step number given for correct response	
		YES	NO
1	Do the DC Performance Test (Section 4).		
2	Is DC Volts within tolerance?	3	Section 4
3	Is the Calibration Memory module installed?	4	6
4	Remove the Calibration Memory module. Is AC OK?	5	6
5	Bad Calibration Memory. Go to Section 604.		
6	Is Isolator installed?	7	10
7	Replace Isolator with Bus Interconnect/Monitor pcb.		
8	Is AC OK?	9	10
9	Bad Isolator. Go to Section 608.		
10	Remove DC Signal Conditioner. Is AC OK?	11	12
11	DC Signal Conditioner interfering with AC. The problem in the DC Signal Conditioner is one of the following: 1. Digital Logic Bad,      2. K1 or K2 shorted,      3. O6, Q7, Q8 Bad.		
12	Install Bus Interconnect/Monitor if not already installed.		
13	Check power supply voltages as follows: VA1 = +14.25 to 15.75V      VA4 = -29 to -32V VA2 = -14.25 to -15.75V      Vcc = -15V } Difference = 4.9 VA3 = +29 to 32V      Vss = -20V } to 5.2		
14	Are the supply voltages OK?	15	Section 4
15	Go to Figure 601-2.		

SYMPTOM	POSSIBLE FAILURE	
Noisy Reading	U1, U6	
Single range bad	Digital logic, range relay	
All ranges bad	U1, U6	
Reading out of tolerance	Range relay, U1	
Ovrange	U6	
High frequency bad	U6	
No Output	Q9, Q10, Q11, U6, U1, K1, K2	
Interfering with DC or Ohms reading	K1 shorted, Q9 leaky	
<b>Address:</b> IC 4, 2, 1 high		
<b>Data:</b> ID0 = 1, ID1 = 0	AC Voltage Input Terminals	
ID0 = 0, ID1 = 1	AC Current, RT1 and RT3	
ID2 = 0	Filter on	
ID3 = 0	10V range	
ID4 = 0	100V range	
ID5 = 0	1000V range	
ID5, 4, 3 = 1	1V range	
<p>If U1, Q4, Q6, R51, R52, CR10, or CR11 are replaced it may be necessary to change the value of R51 or R52 to correct offset error. Use the following procedure.</p> <ol style="list-style-type: none"> <li>1. Remove R51 or R52, whichever is installed.</li> <li>2. Connect test DMM Hi to TP1, Lo to TP2.</li> <li>3. With R17 fully CW, the reading should be more than +100 <math>\mu</math>V.</li> <li>4. If not, center R17 and select a resistor value from the following table which has the closest corresponding offset voltage. For negative readings, install the resistor as R52. For positive readings, install the resistor as R51.</li> </ol>		
<b>OFFSET</b>	<b>RESISTOR</b>	<b>J.F. PART #</b>
.25 mV	2.7 M $\Omega$	193490
.5	1.5M	182857
.75	910K	285338
1.0	680K	188433
1.25	560K	220533
1.5	470K	188441
1.75	390K	193383
2.0	360K	234690
2.25	300K	234682
2.5	270K	220061
2.75	240K	218016
3.0–3.25	220K	160937
3.5	200K	248781

Figure 601-2. Symptom Analysis

Table 601-5. AC/DC Converter (Averaging) PCB Assembly

REF DES	DESCRIPTION	FLUKE STOCK NO.	MFG SPLY CODE	MFG PART NO. OR TYPE	TOT QTY	REC QTY	NOTE
-01	⊗AC/DC CONVERTER (AVG) PCB ASSEMBLY FIGURE 601-3 (MIS-4101T)	ORDER	BY	OPTION -01			
C1	CAP, FILM, 0.22 UF +/-20%, 1200V	268904	84411	JF-65	1		
C2	CAP, MICA, 47 PF +/-5%, 500V	148536	72136	CM15E470J	1		
C5	CAP, MICA, 33 PF +/-5%, 500V	160317	72136	DM15E330J	1		
C6	CAP, TA, 4.6 UF +/-20%, 25V	368969	56289	196D565X0025KA1	8		
C7	CAP, CER, 1 PF +/-0.25%, 100V	436477	80031	2222-638-03108	1		
C8	CAP, VAR, 0.25-1.5 PF, 2000V	273151	74970	273-0001-002	2		
C9	CAP, MICA, 15 PF +/-2%, 500V	335612	72136	DM15C150G	2		
C10	CAP, VAR, 0.8-10 PF, 200V	229930	91293	JMC5201	1		
C11	CAP, MICA, 150 PF +/-1%, 500V	226134	72136	DM15F151F	1		
C12	CAP, MICA, 15 PF +/-2%, 500V	335612	72136	DM15C150G	REF		
C13	CAP, MICA, 1800 PF +/-2%, 500V	447441	72136	DM19F182G	1		
C14	CAP, TA, 4.6 UF +/-20%, 25V	368969	56289	196D565X0025KA1	REF		
C15	CAP, TA, 4.6 UF +/-20%, 25V	368969	56289	196D565X0025KA1	REF		
C16	CAP, VAR, CERMET, 1.7-10 PF, 250V	375238	52769	GKC10000	2		
C17	CAP, POLYESTER, 0.47 UF +/-10%, 100V	369124	89536	369124	2		
C18	CAP, POLYESTER, 0.10 UF +/-10%, 100V	393439	89536	393439	2		
C19	CAP, POLYESTER, 0.10 UF +/-10%, 100V	393439	89536	393439	REF		
C20	CAP, POLYESTER, 0.47 UF +/-10%, 100V	369124	89536	369124	REF		
C21	CAP, FILM, 0.0022 UF +/-10%, 50V	313239	06001	75F1R5A322	2		
C22	CAP, FILM, 0.0022 UF +/-10%, 50V	313239	06001	75F1R5A322	REF		
C23	CAP, VAR, 0.25-1.5 PF, 2000V	273151	74970	273-0001-002	REF		
C24	CAP, MICA, 68 PF +/-5%, 500V	148510	72136	DM15F680J	1		
C25	CAP, VAR, CERMET, 1.7-10 PF, 250V	375238	52769	GKC10000	REF		
C26	CAP, TA, 4.6 UF +/-20%, 25V	368969	56289	196D565X0025KA1	REF		
C27	CAP, TA, 4.6 UF +/-20%, 25V	368969	56289	196D565X0025KA1	REF		
C28	CAP, TA, 4.6 UF +/-20%, 25V	368969	56289	196D565X0025KA1	REF		
C29	CAP, TA, 4.6 UF +/-20%, 25V	368969	56289	196D565X0025KA1	REF		
C30	CAP, TA, 4.6 UF +/-20%, 25V	368969	56289	196D565X0025KA1	REF		
C31	CAP, TA, 22 UF +/-20%, 15V	423012	56289	196D226X0015KA1	2		
C32	CAP, TA, 22 UF +/-20%, 15V	423012	56289	196D226X0015KA1	REF		
C33	CAP, MICA, 10 PF +/-2%, 500V	335638	72136	DM15C100G	1		
CR1	DIODE, HI-SPEED, SWITCHING	203323	07910	1N4448	6	2	
CR2	DIODE, HI-SPEED, SWITCHING	203323	07910	1N4448	REF		
CR3	DIODE, SI, LO-CAP, LO-LEAK	348177	07263	FD7223	4	1	
CR4	DIODE, SI, LO-CAP, LO-LEAK	348177	07263	FD7223	REF		
CR5	DIODE, HI-SPEED, SWITCHING	203323	07910	1N4448	REF		
CR6	DIODE, HI-SPEED, SWITCHING	203323	07910	1N4448	REF		
CR7	DIODE, HI-SPEED, SWITCHING	203323	07910	1N4448	REF		
CR8	DIODE, HI-SPEED, SWITCHING	203323	07910	1N4448	REF		
CR9	DIODE, ZENER, UNCOMPENSATED	325811	07910	1N753A	2	1	
CR10	DIODE, SI, LO-CAP, LO-LEAK	348177	07263	FD7223	REF		
CR11	DIODE, SI, LO-CAP, LO-LEAK	348177	07263	FD7223	REF		
CR12	DIODE, ZENER, UNCOMPENSATED	325811	07910	1N753A	REF		
H1	SCREW, PHP, 4-40 X 3/16 (NOT SHOWN)	129882	89536	129882	3		
H2	SCREW, RH FILISTER, 6-32 X 1/2 (NOT SHOWN)	115006	89536	115006	3		
H3	SCREW, RHP, 4-40 X 3/8	256164	89536	256164	1		

Table 601-5. AC/DC Converter (Averaging) PCB Assembly (cont)

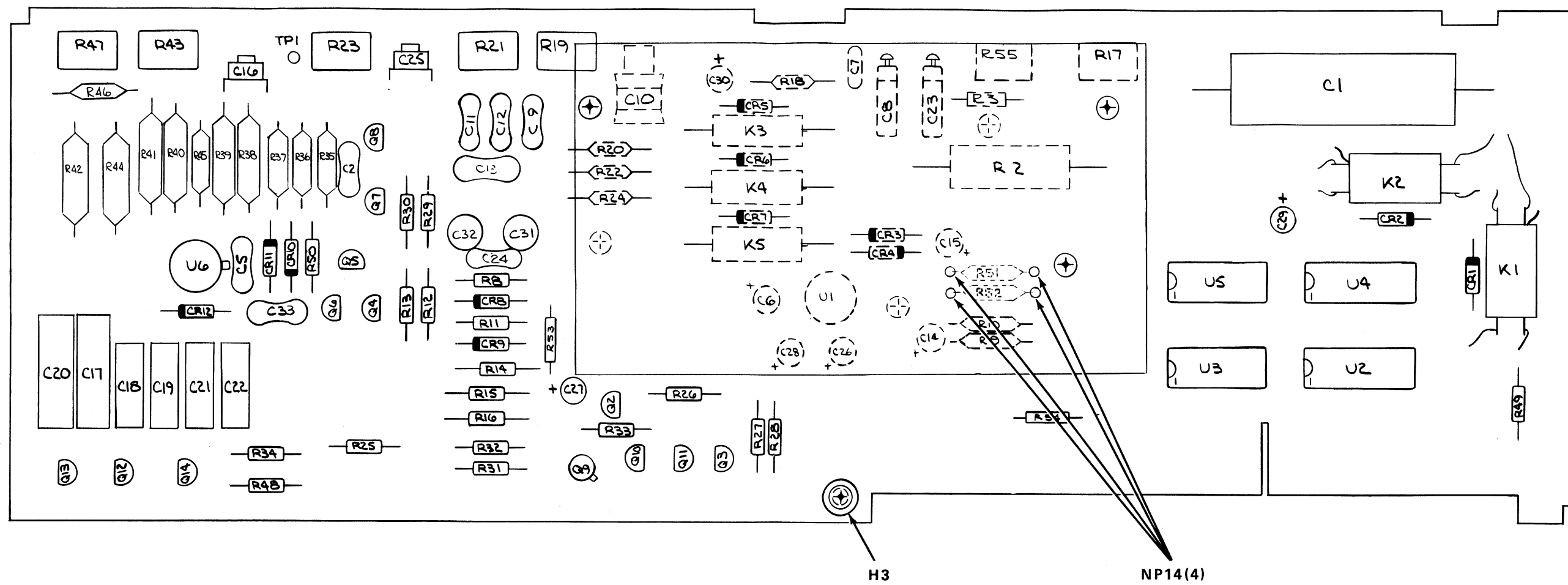
REF DES	DESCRIPTION	FLUKE STOCK NO.	MFG SPLY CODE	MFG PART NO. OR TYPE	TOT QTY	REC QTY	N O T E
K1	RELAY ASSY						
	RELAY, COIL, 6V	272070	71707	UD-6P	2		
	FOIL	313833	89536	313833	2		
	SWITCH, DRY REED	284091	95348	MR138	2		
	SWITCH, DRY REED	414300	95348	MR5830-7	2		
K2	RELAY ASSY					REF	
	RELAY, COIL, 6V	272070	71707	UD-6P		REF	
	FOIL	313833	89536	313833		REF	
	SWITCH, DRY REED	284091	95348	MR138		REF	
	SWITCH, DRY REED	414300	95348	MR5830-7		REF	
K3	RELAY, DRY REED	357566	71707	UF40069	3		
K4	RELAY, DRY REED	357566	71707	UF40069	REF		
K5	RELAY, DRY REED	357566	71707	UF40069	REF		
MP1	MODULE CASE ASSY (MP2-MP9)	459016	89536	459016	1		1
MP2	CASE HALF, MODULE	402990	89536	402990	REF		
MP3	CASE HALF, MODULE	402990	89536	402990	REF		
MP4	COVER, MODULE CASE	402974	89536	402974	REF		
MP5	SHIELD, COVER	411926	89536	411926	REF		
MP6	DECAL, AC/DC CONVERTER (AVERAGING)	413385	89536	413385	REF		
MP7	DECAL, CAUTION	454504	89536	454504	REF		
MP8	GUARD, REAR	383364	89536	383364	REF		
MP9	GUARD, FRONT	383356	89536	383356	REF		
MP10	INSULATOR, AVG SHIELD (NOT SHOWN)	437913	89536	437913	1		
MP11	SHIELD, AVG CONVERTER (NOT SHOWN)	437905	89536	437905	1		
MP12	SHIELD, AVG CONVERTER, REAR (NOT SHOWN)	437897	89536	437897	1		
MP13	SPRING, COIL (NOT SHOWN)	424465	83553	C0120-014-0380	1		
MP14	SOCKET, COMPONENT LEAD	343285	00779	2-331272-6	8		
Q2	XSTR, SI, NPN	218396	04713	2N3904	4		1
Q3	XSTR, SI, PNP	226290	04713	MPS3640	1		1
Q4	XSTR, SI, PNP	195974	04713	2N3906	2		1
Q5	XSTR, SI, NPN	218081	89536	218081	2		1
Q6	XSTR, SI, NPN	218396	04713	2N3904	REF		
Q7	XSTR, SI, NPN	218081	89536	218081	REF		
Q8	XSTR, FET, N-CHANNEL	352112	89536	352112	1		1
Q9	XSTR, FET, N-CHANNEL	393314	89536	393314	1		1
Q10	XSTR, SI, NPN	218396	04713	2N3904	REF		
Q11	XSTR, SI, PNP	195974	04713	2N3906	REF		
Q12	XSTR, FET, N-CHANNEL	343830	89536	343830	2		1
Q13	XSTR, FET, N-CHANNEL	343830	89536	343830	REF		
Q14	XSTR, SI, NPN	218396	04713	2N3904	REF		
R2	RES, MTL. FILM, 2M +/-0.5%, 1W	354894	89536	354894	1		
R3	RES, DEP. CAR, 120K +/-5%, 1/4W	441386	80031	CR251-4-5P120K	2		
R8	RES, DEP. CAR, 470 +/-5%, 1/4W	343434	80031	CR251-4-5P470E	1		
R9	RES, MTL. FILM, 49.9 +/-1%, 1/8W	305896	91637	MFF1-849R9F	1		
R10	RES, MTL. FILM, 1M +/-1%, 1/8W	268797	91637	MFF1-81004F	1		
R11	RES, DEP. CAR, 10K +/-5%, 1/4W	348839	80031	CR251-4-5P10K	3		
R12	RES, DEP. CAR, 10K +/-5%, 1/4W	348839	80031	CR251-4-5P10K	REF		
R13	RES, DEP. CAR, 75K +/-5%, 1/4W	394130	80031	CR251-4-5P75K	1		
R14	RES, DEP. CAR, 5.1K +/-5%, 1/4W	368712	80031	CR251-4-5P5K1	2		
R15	RES, DEP. CAR, 5.1K +/-5%, 1/4W	368712	80031	CR251-4-5P5K1	REF		

Table 601-5. AC/DC Converter (Averaging) PCB Assembly (cont)

REF DES	DESCRIPTION	FLUKE STOCK NO.	MFG SPLY CODE	MFG PART NO. OR TYPE	TOT QTY	REC QTY	NO TE
R16	RES, DEP. CAR, 1.5K +/-5%, 1/4W	343418	80031	CR251-4-5P1K5	1		
R17	RES, VAR, CERMET, 100K +/-10%, 1/2W	288308	89536	288308	3		
R18	RES, MTL. FILM, 500.85K +/-0.1%, 1/8W	424614	91637	MFF1-8500851B	1		
R19	RES, VAR, CERMET, 5K +/-10%, 1/2W	288282	89536	288282	1		
R20	RES, MTL. FILM, 71.320K +/-0.1%, 1/8W	424515	91637	MFF1-871321B	1		
R21	RES, VAR, CERMET, 500 +/-10%, 1/2W	291120	89536	291120	1		
R22	RES, MTL. FILM, 7.704K +/-0.1%, 1/8W	436121	91637	MFF1-87704B	1		
R23	RES, VAR, CERMET, 50 +/-10%, 1/2W	285122	89536	285122	1		
R24	RES, MTL. FILM, 733.9 +/-0.1%, 1/8W	460212	91637	MFF1-8733R9B	1		
R25	RES, DEP. CAR, 10K +/-5%, 1/4W	348839	80031	CR251-4-5P10K	REF		
R26	RES, DEP. CAR, 47K +/-5%, 1/4W	348896	80031	CR251-4-5P47K	3		
R27	RES, DEP. CAR, 150 +/-5%, 1/4W	343442	80031	CR251-4-5P150E	1		
R28	RES, DEP. CAR, 22K +/-5%, 1/4W	348870	80031	CR251-4-5P22K	1		
R29	RES, DEP. CAR, 15K +/-5%, 1/4W	348854	80031	CR251-4-5P15K	1		
R30	RES, DEP. CAR, 8.2K +/-5%, 1/4W	441675	80031	CR251-4-5P8K2	1		
R31	RES, DEP. CAR, 51K +/-5%, 1/4W	376434	80031	CR251-4-5P51K	3		
R32	RES, DEP. CAR, 51K +/-5%, 1/4W	376434	80031	CR251-4-5P51K	REF		
R33	RES, DEP. CAR, 47K +/-5%, 1/4W	348896	80031	CR251-4-5P47K	REF		
R34	RES, DEP. CAR, 47K +/-5%, 1/4W	348896	80031	CR251-4-5P47K	REF		
R35	RES, MATCHED SET (R35-R42, R44-R46)	441873	89536	441873	1		
R36	RES, MATCHED SET (R35-R42, R44-R46)	441873	89536	441873	REF		
R37	RES, MATCHED SET (R35-R42, R44-R46)	441873	89536	441873	REF		
R38	RES, MATCHED SET (R35-R42, R44-R46)	441873	89536	441873	REF		
R39	RES, MATCHED SET (R35-R42, R44-R46)	441873	89536	441873	REF		
R40	RES, MATCHED SET (R35-R42, R44-R46)	441873	89536	441873	REF		
R41	RES, MATCHED SET (R35-R42, R44-R46)	441873	89536	441873	REF		
R42	RES, MATCHED SET (R35-R42, R44-R46)	441873	89536	441873	REF		
R43	RES, VAR, CERMET, 50K +/-10%, 1/2W	288290	89536	288290	1		
R44	RES, MATCHED SET (R35-R42, R44-R46)	441873	89536	441873	REF		
R45	RES, MATCHED SET (R35-R42, R44-R46)	441873	89536	441873	REF		
R46	RES, MATCHED SET (R35-R42, R44-R46)	441873	89536	441873	REF		
R47	RES, VAR, CERMET, 100K +/-10%, 1/2W	288308	89536	288308	REF		
R48	RES, DEP. CAR, 51K +/-5%, 1/4W	376434	80031	CR251-4-5P51K	REF		
R49	RES, DEP. CAR, 330 +/-5%, 1/4W	368720	80031	CR251-4-5P330E	1		
R50	RES, DEP. CAR, 120K +/-5%, 1/4W	441386	80031	CR251-4-5P120K	REF		
R51	RES, SELECTED						
R52	RES, SELECTED						
R53	RES, DEP. CAR, 100 +/-5%, 1/4W	348771	80031	CR251-4-5P100E	2		
R54	RES, DEP. CAR, 100 +/-5%, 1/4W	348771	80031	CR251-4-5P100E	REF		
R55	RES, VAR, CERMET, 100K +/-10%, 1/2W	288308	89536	288308	REF		
U1	IC, LIN, OP AMP	429951	12040	LF357AH	1	1	
U2	⊗IC, C-MOS, HEX "D" FLIP FLOP	404509	12040	MM74C174N	1	1	
U3	⊗IC, C-MOS, QUAD, 2-INPUT NAND GATES	375147	02735	CD4023AE	1	1	
U4	⊗IC, C-MOS, HEX, INVERTER/BUFFER	381848	02735	CD4049AE	1	1	
U5	IC, TTL, HEX, INVERTER, BUFFER/DRIVER	288605	01295	SN7416N	1	1	
U6	IC, LIN, OP AMP	288928	12040	LM308AH	1	1	
1	SEE TABLE 5-17 AT THE END OF SECTION 5.						

**THIS  
PAGE  
LEFT  
BLANK**

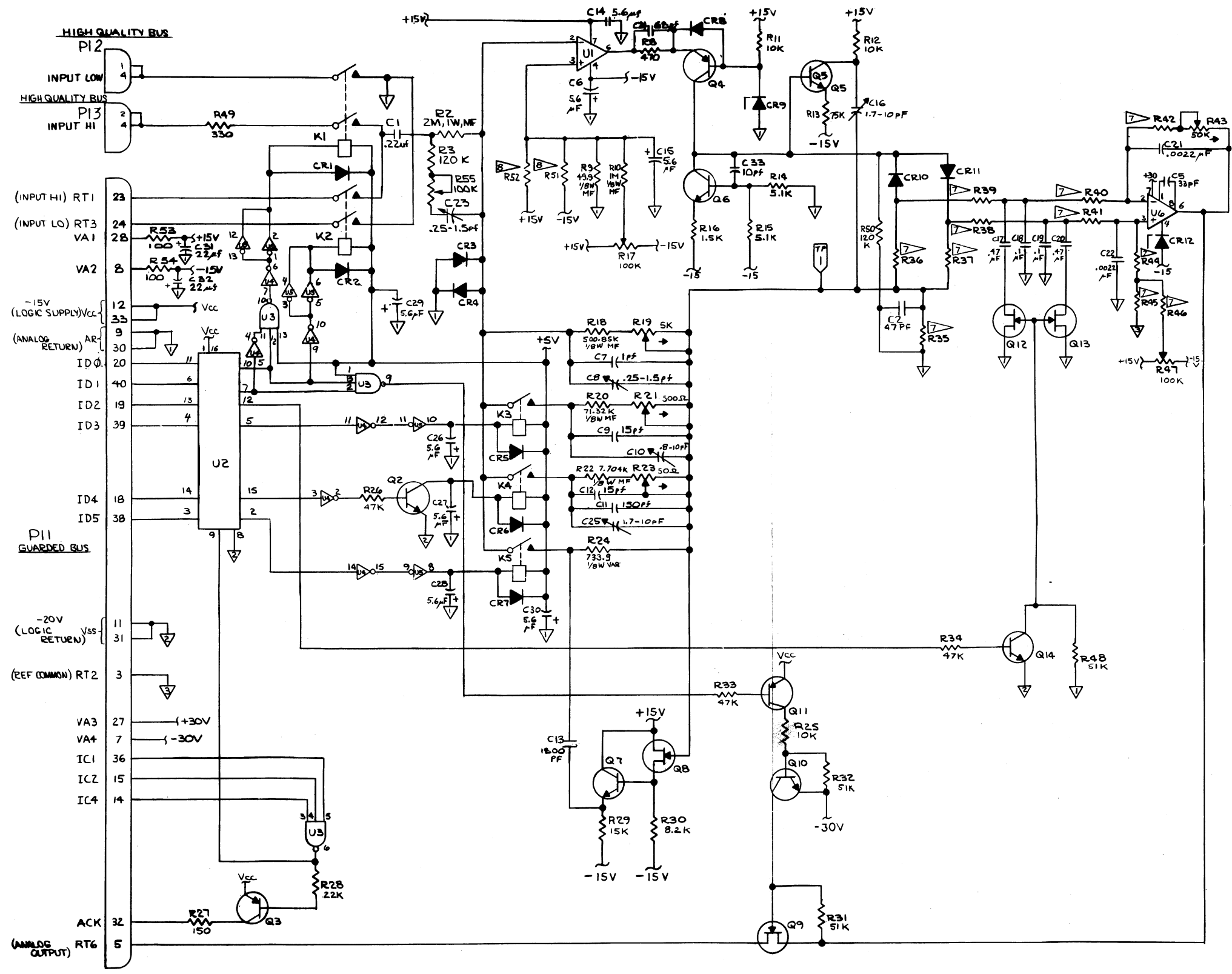
**SCANS  
By  
Artek Media**



MIS-1701

Figure 601-3. AC/DC Converter (Averaging) PCB Assembly





NOTES: (UNLESS OTHERWISE SPECIFIED)  
 1. ALL RESISTORS 1/4W CC, ALL RESISTANCE IN OHMS.  
 2. FOR REF. DESIGNATION SEE MIS-1701  
 ▽ MATCHED RESISTOR SET.  
 ▽ FACTORY SELECTED PARTS.

Figure 601-3. AC/DC Converter (Averaging) PCB Assembly (cont)

## Section 7

# General Information

7-1. This section of the manual contains generalized user information as well as supplemental information to the List of Replaceable Parts contained in Section 5.

## Federal Supply Codes for Manufacturers

00213 Nytronics Comp. Group Inc. Subsidiary of Nytronics Inc. Formerly Sage Electronics Rochester, New York	02660 Bunker Ramo Corp., Conn Div. Formerly Amphenol-Borg Electric Corp. Broadview, Illinois	04946 Standard Wire & Cable Los Angeles, California	06751 Components, Inc. Semcor Div. Phoenix, Arizona
00327 Welwyn International, Inc. Westlake, Ohio	02799 Aero Capacitors, Inc. Chatsworth, California	05082 Replaced by 94988	06860 Gould Automotive Div. City of Industry, California
00656 Aerovox Corp. New Bedford, Massachusetts	03508 General Electric Co. Semiconductor Products Syracuse, New York	05236 Jonathan Mfg. Co. Fullerton, California	06961 Vernitron Corp., Piezo Electric Div. Formerly Clevite Corp., Piezo Electric Div. Bedford, Ohio
00686 Film Capacitors, Inc. Passaic, New Jersey	03614 Replaced by 71400	05245 Components Corp. now Corcom, Inc. Chicago, Illinois	06980 Eimac Div. Varian Associates San Carlos, California
00779 AMP Inc. Harrisburg, Pennsylvania	03651 Replaced by 44655	05277 Westinghouse Electric Corp. Semiconductor Div. Youngwood, Pennsylvania	07047 The Ross Milton Co. South Hampton, Pennsylvania
01121 Allen-Bradley Co. Milwaukee, Wisconsin	03797 Eldema Div. Genisco Technology Corp. Compton, California	05278 Replaced by 43543	07115 Replaced by 14674
01281 TRW Electronic Comp. Semiconductor Operations Lawndale, California	03877 Transistron Electronic Corp. Wakefield, Massachusetts	05279 Southwest Machine & Plastic Co. Glendora, California	07138 Westinghouse Electric Corp., Electronic Tube Div. Horsehead, New York
01295 Texas Instruments, Inc. Semiconductor Group Dallas, Texas	03888 KDI Pyrofilm Corp. Whippany, New Jersey	05397 Union Carbide Corp. Materials Systems Div. New York, New York	07233 TRW Electronic Components Cinch Graphic City of Industry, California
01537 Motorola Communications & Electronics Inc. Franklin Park, Illinois	03911 Clairex Electronics Div. Clairex Corp. Mt. Vernon, New York	05571 Use 56289 Sprague Electric Co. Pacific Div. Los Angeles, California	07256 Silicon Transistor Corp. Div. of BBF Group Inc. Chelmsford, Massachusetts
01686 RCL Electronics Inc. Manchester, New Hampshire	03980 Muirhead Inc. Mountainside, New Jersey	05574 Viking Industries Chatsworth, California	07261 Aumet Corp. Culver City, California
01730 Replaced by 73586	04009 Arrow Hart Inc. Hartford, Connecticut	05704 Replaced by 16258	07263 Fairchild Semiconductor Div. of Fairchild Camera & Instrument Corp. Mountain View, California
01884 Use 56289 Sprague Electric Co. Dearborn Electronic Div. Lockwood, Florida	04062 Replaced by 72136	05820 Wakefield Engineering Inc. Wakefield, Massachusetts	07344 Bircher Co., Inc. Rochester, New York
02114 Ferroxcube Corp. Saugerties, New York	04202 Replaced by 81312	06001 General Electric Co. Electronic Capacitor & Battery Products Dept. Columbia, South Carolina	07597 Burndy Corp. Tape/Cable Div. Rochester, New York
02131 General Instrument Corp. Harris ASW Div. Westwood, Maine	04217 Essex International Inc. Wire & Cable Div. Anaheim, California	06136 Replaced by 63743	07792 Lerma Engineering Corp. Northampton, Massachusetts
02395 Rason Mfg. Co. Brooklyn, New York	04221 Aemco, Div. of Midtex Inc. Mankato, Minnesota	06383 Panduit Corp. Tinley Park, Illinois	07910 Teledyne Semiconductor Formerly Continental Device Hawthorne, California
02533 Snelgrove, C.R. Co., Ltd. Don Mills, Ontario, Canada M3B 1M2	04222 AVX Ceramics Div. AVX Corp. Myrtle Beach, Florida	06473 Bunker Ramo Corp. Amphenol SAMS Div. Chatsworth, California	07933 Use 49956 Raytheon Co. Semiconductor Div. HQ Mountain View, California
02606 Fenwal Labs Div. of Travenal Labs. Morton Grove, Illinois	04423 Telonic Industries Laguna Beach, California	06555 Beede Electrical Instrument Co. Penacook, New Hampshire	08225 Industro Transistor Corp. Long Island City, New York
	04645 Replaced by 75376	06739 Electron Corp. Littleton, Colorado	
	04713 Motorola Inc. Semiconductor Products Phoenix, Arizona	06743 Clevite Corp. Cleveland, Ohio	

### Federal Supply Codes for Manufacturers (cont)

08261 Spectra Strip Corp. Garden Grove, California	11726 Qualidyne Corp. Santa Clara, California	13606 Use 56289 Sprague Electric Co. Transistor Div. Concord, New Hampshire	16299 Corning Glass Electronic Components Div. Raleigh, North Carolina
08530 Reliance Mica Corp. Brooklyn, New York	12014 Chicago Rivet & Machine Co. Bellwood, Illinois	13839 Replaced by 23732	16332 Replaced by 28478
08806 General Electric Co. Miniature Lamp Products Dept Cleveland, Ohio	12040 National Semiconductor Corp. Danbury, Connecticut	14099 Semtech Corp. Newbury Park, California	16473 Cambridge Scientific Ind. Div. of Chemed Corporation Cambridge, Maryland
08863 Nylomatic Corp. Norrisville, Pennsylvania	12060 Diodes, Inc. Chatsworth, California	14140 Edison Electronic Div. Mc Gray-Edison Co. Manchester, New Hampshire	16742 Paramount Plastics Fabricators, Inc. Downey, California
08988 Use 53085 Skottie Electronics Inc. Archbald, Pennsylvania	12136 Philadelphia Handle Co. Camden, New Jersey	14193 Cal-R-Inc. formerly California Resistor, Corp. Santa Monica, California	16758 Delco Electronics Div. of General Motors Corp. Kokomo, Indiana
09214 G.E. Co. Semi-Conductor Products Dept. Power Semi-Conductor Products OPN Sec. Auburn, New York	12300 Potter-Brumfield Div. AMF Canada LTD. Guelph, Ontario, Canada	14298 American Components, Inc. an Insilco Co. Conshohocken, Pennsylvania	17001 Replaced by 71468
09353 C and K Components Watertown, Massachusetts	12323 Presin Co., Inc. Shelton, Connecticut	14655 Cornell-Dublier Electronics Division of Federal Pacific Electric Co. Govt. Control Dept. Newark, New Jersey	17069 Circuit Structures Lab. Burbank, California
09423 Scientific Components, Inc. Santa Barbara, California	12327 Freeway Corp. formerly Freeway Washer & Stamping Co. Cleveland, Ohio	14752 Electro Cube Inc. San Gabriel, California	17338 High Pressure Eng. Co., Inc. Oklahoma City, Oklahoma
09922 Burndy Corp. Norwalk, Connecticut	12443 The Budd Co. Polychem Products Plastic Products Div. Bridgeport, Pennsylvania	14869 Replaced by 96853	17545 Atlantic Semiconductors, Inc. Asbury Park, New Jersey
09969 Dale Electronics Inc. Yankton, S. Dakota	12615 U.S. Terminals Inc. Cincinnati, Ohio	14936 General Instrument Corp. Semi Conductor Products Group Hicksville, New York	17856 Siliconix, Inc. Santa Clara, California
10059 Barker Engineering Corp. Formerly Amerace, Amerace ESNA Corp. Kenilworth, New Jersey	12617 Hamlin Inc. Lake Mills, Wisconsin	15636 Elec-Trol Inc. Saugus, California	17870 Replaced by 14140
11236 CTS of Berne Berne, Indiana	12697 Clarostat Mfg. Co. Dover, New Hampshire	15801 Fenwal Electronics Inc. Div. of Kidde Walter and Co., Inc. Framingham, Massachusetts	18178 Vactec Inc. Maryland Heights, Missouri
11237 CTS Keene Inc. Paso Robles, California	12749 James Electronics Chicago, Illinois	15818 Teledyne Semiconductors, formerly Amelco Semiconductor Mountain View, California	18324 Signetics Corp. Sunnyvale, California
11358 CBS Electronic Div. Columbia Broadcasting System Newburyport, Minnesota	12856 Micrometals Sierra Madre, California	15849 Litton Systems Inc. Useco Div. formerly Useco Inc. Van Nuys, California	18612 Vishay Resistor Products Div. Vishay Intertechnology Inc. Malvern, Pennsylvania
11403 Best Products Co. Chicago, Illinois	12954 Dickson Electronics Corp. Scottsdale, Arizona	15898 International Business Machines Corp. Essex Junction, Vermont	18736 Voltronics Corp. Hanover, New Jersey
11503 Keystone Columbia Inc. Warren, Michigan	12969 Unitrode Corp. Watertown, Massachusetts	15909 Replaced by 14140	18927 GTE Sylvania Inc. Precision Material Group Parts Division Titusville, Pennsylvania
11532 Teledyne Relays Hawthorne, California	13103 Thermalloy Co., Inc. Dallas, Texas	16258 Space-Lok Inc. Burbank, California	19451 Perine Machinery & Supply Co. Seattle, Washington
11711 General Instrument Corp. Rectifier Division Hicksville, New York	13327 Solitron Devices Inc. Tappan, New York		19701 Electro-Midland Corp. Mepco-Electra Inc. Mineral Wells, Texas
	13511 Amphenol Cadre Div. Bunker-Ramo Corp. Los Gatos, California		20584 Enochs Mfg. Inc. Indianapolis, Indiana

### Federal Supply Codes for Manufacturers (cont)

20891 Self-Organizing Systems, Inc. Dallas, Texas	28480 Hewlett Packard Co. Corporate HQ Palo Alto, California	43543 Nytronics Inc. Transformer Co. Div. Geneva, New York	70903 Belden Corp. Geneva, Illinois
21604 Bucheye Stamping Co. Columbus, Ohio	28520 Heyman Mfg. Co. Kenilworth, New Jersey	44655 Ohmite Mfg. Co. Skokie, Illinois	71002 Birnbach Radio Co., Inc. Freeport, New York
21845 Solitron Devices Inc. Transistor Division Riveria Beach, Florida	29083 Monsanto, Co., Inc. Santa Clara, California	49671 RCA Corp. New York, New York	71400 Bussmann Mfg. Div. of McGraw-Edison Co. Saint Louis, Missouri
22767 ITT Semiconductors Palo Alto, California	29604 Stackpole Components Co. Raleigh, North Carolina	49956 Raytheon Company Lexington, Massachusetts	71450 CTS Corp. Elkhart, Indiana
23050 Product Comp. Corp. Mount Vernon, New York	30148 AB Enterprise Inc. Ahoskie, North Carolina	50088 Mostek Corp. Carrollton, Texas	71468 ITT Cannon Electric Inc. Santa Ana, California
23732 Tracor Inc. Rockville, Maryland	30323 Illinois Tool Works, Inc. Chicago, Illinois	50579 Litronix Inc. Cupertino, California	71482 Clare, C.P. & Co. Chicago, Illinois
23880 Stanford Applied Engrng. Santa Clara, California	31091 Optimax Inc. Colmar, Pennsylvania	51605 Scientific Components Inc. Linden, New Jersey	71590 Centrelab Electronics Div. of Globe Union Inc. Milwaukee, Wisconsin
23936 Pamotor Div., Wm. J. Purdy Co. Burlingame, California	32539 Mura Corp. Great Neck, New York	53021 Sangamo Electric Co. Springfield, Illinois	71707 Coto Coil Co., Inc. Providence, Rhode Island
24248 Replaced by 94222	32767 Griffith Plastic Corp. Burlingame, California	54294 Cutler-Hammer Inc. formerly Shallcross, A Cutter-Hammer Co. Selma, North Carolina	71744 Chicago Miniature Lamp Works Chicago, Illinois
24355 Analog Devices Inc. Norwood, Massachusetts	32879 Advanced Mechanical Components Northridge, California	55026 Simpson Electric Co. Div. of Am. Gage and Mach. Co. Elgin, Illinois	71785 TRW Electronics Components Cinch Connector Operations Div. Elk Grove Village Chicago, Illinois
24655 General Radio Concord, Massachusetts	32897 Erie Technological Products, Inc. Frequency Control Div. Carlisle, Pennsylvania	56289 Sprague Electric Co. North Adams, Massachusetts	72005 Wilber B. Driver Co. Newark, New Jersey
24759 Lenox-Fugle Electronics Inc. South Plainfield, New Jersey	32997 Bourns Inc. Trimpot Products Division Riverside, California	58474 Superior Electric Co. Bristol, Connecticut	72092 Replaced by 06980
25088 Siemen Corp. Isilen, New Jersey	33173 General Electric Co. Products Dept. Owensboro, Kentucky	60399 Torin Corp. formerly Torrington Mfg. Co. Torrington, Connecticut	72136 Electro Motive Mfg. Co. Williamantic, Connecticut
25403 Amperex Electronic Corp. Semiconductor & Micro-Circuits Div. Slatersville, Rhode Island	34333 Silicon General Westminister, California	63743 Ward Leonard Electric Co., Inc. Mount Vernon, New York	72259 Nytronics Inc. Pelham Manor, New Jersey
27014 National Semiconductor Corp. Santa Clara, California	34335 Advanced Micro Devices Sunnyvale, California	64834 West Mfg. Co. San Francisco, California	72619 Dialight Div. Amperex Electronic Corp. Brooklyn, New York
27264 Molex Products Downers Grove, Illinois	34802 Electromotive Inc. Kenilworth, New Jersey	65092 Weston Instruments Inc. Newark, New Jersey	72653 G.C. Electronics Div. of Hydrometals, Inc. Brooklyn, New York
28213 Minnesota Mining & Mfg. Co. Consumer Products Div. St. Paul, Minnesota	37942 P.R. Mallory & Co., Inc. Indianapolis, Indiana	66150 Winslow Tele-Tronics Inc. Eaton Town, New Jersey	72665 Replaced by 90303
28425 Serv-/Link formerly Bohannon Industries Fort Worth, Texas	42498 National Radio Melrose, Massachusetts	70485 Atlantic India Rubber Works Chicago, Illinois	72794 Dzus Fastener Co., Inc. West Islip, New York
28478 Deltrol Controls Div. Deltrol Corporation Milwaukee, Wisconsin		70563 Amperite Company Union City, New Jersey	72928 Gulton Ind. Inc. Gudeman Div. Chicago, Illinois

### Federal Supply Codes for Manufacturers (cont)

72982 Erie Tech. Products Inc. Erie, Pennsylvania	75382 Kulka Electric Corp. Mount Vernon, New York	80583 Hammarlund Mfg. Co., Inc. Red Bank, New Jersey	83594 Burrhoughs Corp. Electronic Components Div. Plainfield, New Jersey
73138 Bechman Instrument Inc. Helipot Division Fullerton, California	75915 Littlefuse Inc. Des Plaines, Illinois	80640 Arnold Stevens, Inc. South Boston, Massachusetts	83740 Union Carbide Corp. Battery Products Div. formerly Consumer Products Div. New York, New York
73293 Hughes Aircraft Co. Electron Dynamics Div. Torrance, California	76854 Oak Industries Inc. Switch Div. Crystal Lake, Illinois	81073 Grayhill, Inc. La Grange, Illinois	84171 Arco Electronics Great Neck, New York
73445 Amperex Electronic Corp. Hicksville, New York	77342 AMF Inc. Potter & Brumfield Div. Princeton, Indiana	81312 Winchester Electronics Div. of Litton Industries Inc. Oakville, Connecticut	84411 TRW Electronic Components TRW Capacitors Ogallala, Nebraska
73559 Carling Electric Inc. West Hartford, Connecticut	77638 General Instrument Corp. Rectifier Division Brooklyn, New York	81483 Therm-O-Disc Inc. Mansfield, Ohio	84613 Fuse Indicator Corp. Rockville, Maryland
73586 Circle F Industries Trenton, New Jersey	77969 Rubbercraft Corp. of CA. LTD. Torrance, California	81483 International Rectifier Corp. Los Angeles, California	84682 Essex International Inc. Industrial Wire Div. Peabody, Massachusetts
73734 Federal Screw Products, Inc. Chicago, Illinois	78189 Shakeproof Div. of Illinois Tool Works Inc. Elgin, Illinois	81590 Korry Mfg. Co. Seattle, Washington	86577 Precision Metal Products of Malden Inc. Stoneham, Massachusetts
73743 Fischer Special Mfg. Co. Cincinnati, Ohio	78277 Sigma Instruments, Inc. South Braintree, Massachusetts	81741 Chicago Lock Co. Chicago, Illinois	86684 Radio Corp. of America Electronic Components Div. Harrison, New Jersey
73899 JFD Electronics Co. Components Corp. Brooklyn, New York	78488 Stackpole Carbon Co. Saint Marys, Pennsylvania	82305 Palmer Electronics Corp. South Gate, California	86928 Seastrom Mfg. Co., Inc. Glendale, California
73949 Guardian Electric Mfg. Co. Chicago, Illinois	78553 Eaton Corp. Engineered Fastener Div. Tinnerman Plant Cleveland, Ohio	82389 Switchcraft Inc. Chicago, Illinois	87034 Illuminated Products Inc. Subsidiary of Oak Industries Inc. Anahiem, California
74199 Quan Nichols Co. Chicago, Illinois	79136 Waldes Kohinoor Inc. Long Island City, New York	82415 North American Phillips Controls Corp. Frederick, Maryland	88219 Gould Inc. Industrial Div. Trenton, New Jersey
74217 Radio Switch Corp. Marlboro, New Jersey	79497 Western Rubber Company Goshen, Indiana	82872 Roanwell Corp. New York, New York	88245 Litton Systems Inc. Useco Div. Van Nuys, California
74276 Signalite Div. General Instrument Corp. Neptune, New Jersey	79963 Zierick Mfg. Corp. Mt. Kisko, New York	82877 Rotron Inc. Woodstock, New York	88419 Cornell-Dubilier Electronic Div. Federal Pacific Co. Fuquay-Varian, North Carolina
74306 Piezo Crystal Co. Carlisle, Pennsylvania	80031 Electro-Midland Corp. Mepco Div. A North American Phillips Co. Norristown, New Jersey	82879 ITT Royal Electric Div. Pawtucket, Rhode Island	88486 Plastic Wire & Cable Jewitt City, Connecticut
74542 Hoyt Elect. Instr. Works Penacook, New Hampshire	80145 LFE Corp., Process Control Div. formerly API Instrument Co. Chesterland, Ohio	83003 Varo Inc. Garland, Texas	88690 Replaced by 04217
74970 Johnson E.F., Co. Waseca, Minnesota	80183 Use 56289 Sprague Products North Adams, Massachusetts	83058 The Carr Co., United Can Div. of TRW Cambridge, Massachusetts	89536 John Fluke Mfg. Co., Inc. Seattle, Washington
75042 TRW Electronics Components IRC Fixed Resistors Philadelphia, Pennsylvania	80294 Bourns Inc., Instrument Div. Riverside, California	83298 Bendix Corp. Electric Power Div. Eatontown, New Jersey	89730 G.E. Co., Newark Lamp Works Newark, New Jersey
75376 Kurz-Kasch Inc. Dayton, Ohio		83330 Herman H. Smith, Inc. Brooklyn, New York	
75378 CTS Knights Inc. Sandwich, Illinois		83478 Rubbercraft Corp. of America, Inc. West Haven, Connecticut	

**Federal Supply Codes for Manufacturers (cont)**

90201  
Mallory Capacitor Co.  
Div. of P.R. Mallory Co., Inc.  
Indianapolis, Indiana

90211  
Use 56365  
Square D Co.  
Chicago, Illinois

90215  
Best Stamp & Mfg. Co.  
Kansas City, Missouri

90303  
Mallory Battery Co.  
Div. of Mallory Co., Inc.  
Tarrytown, New York

91094  
Essex International Inc.  
Suglex/IWP Div.  
Newmarket, New Hampshire

91293  
Johanson Mfg. Co.  
Boonton, New Jersey

91407  
Replaced by 58474

91502  
Associated Machine  
Santa Clara, California

91506  
Augat Inc.  
Attleboro, Massachusetts

91637  
Dale Electronics Inc.  
Columbus, Nebraska

91662  
Elco Corp.  
Willow Grove, Pennsylvania

91737  
Use 71468  
Gremar Mfg. Co., Inc.  
ITT Cannon/Gremar  
Santa Ana, California

91802  
Industrial Devices, Inc.  
Edgewater, New Jersey

91833  
Keystone Electronics Corp.  
New York, New York

91836  
King's Electronics Co., Inc.  
Tuckahoe, New York

91929  
Honeywell Inc.  
Micro Switch Div.  
Freeport, Illinois

91934  
Miller Electric Co., Inc.  
Div. of Aunet  
Woonsocket, Rhode Island

92194  
Alpha Wire Corp.  
Elizabeth, New Jersey

93332  
Sylvania Electric Products  
Semiconductor Products Div.  
Woburn, Massachusetts

94145  
Replaced by 49956

94154  
Use 94988  
Wagner Electric Corp.  
Tung-Sol Div.  
Newark, New Jersey

94222  
Southco Inc. formerly  
South Chester Corp.  
Lester, Pennsylvania

95146  
Alco Electronic Products Inc.  
Lawrence, Massachusetts

95263  
Leecraft Mfg. Co.  
Long Island City, New York

95264  
Replaced by 98278

95275  
Vitramon Inc.  
Bridgeport, Connecticut

95303  
RCA Corp.  
Receiving Tube Div.  
Cincinnati, Ohio

95348  
Gordo's Corp.  
Bloomfield, New Jersey

95354  
Methode Mfg. Corp.  
Rolling Meadows, Illinois

95712  
Bendix Corp.  
Electrical Components Div.  
Microwave Devices Plant  
Franklin, Indiana

95987  
Weckesser Co. Inc.  
Chicago, Illinois

96733  
San Fernando Electric Mfg. Co.  
San Fernando, California

96853  
Gulton Industries Inc.  
Measurement and Controls Div.  
formerly Rustrak Instruments Co.  
Manchester, New Hampshire

96881  
Thomson Industries, Inc.  
Manhasset, New York

97540  
Master Mobile Mounts, Div. of  
Whitehall Electronics Corp.  
Ft. Meyers, Florida

97913  
Industrial Electronic  
Hardware Corp.  
New York, New York

97945  
Penwalt Corp.  
SS White Industrial Products Div.  
Piscataway, New Jersey

97966  
Replaced by 11358

98094  
Replaced by 49956

98159  
Rubber-Teck, Inc.  
Gardena, California

98278  
Malco A Microdot Co., Inc.  
Connector & Cable Div.  
Pasadena, California

98291  
Sealectro Corp.  
Mamaroneck, New York

98388  
Royal Industries  
Products Div.  
San Diego, California

98743  
Replaced by 12749

98925  
Replaced by 14433

99120  
Plastic Capacitors, Inc.  
Chicago, Illinois

99217  
Bell Industries Elect.  
Comp. Div.  
formerly Southern Elect. Div.  
Burbank, California

99392  
STM  
Oakland, California

99515  
ITT Jennings Monrovia Plant  
Div. of ITT Jennings formerly  
Marshall Industries Capacitor Div.  
Monrovia, California

99779  
Use 29587  
Bunker-Ramo Corp.  
Barnes Div.  
Landsdowne, Pennsylvania

99800  
American Precision Industries Inc.  
Delevan Division  
East Aurora, New York

99942  
Centrelab Semiconductor  
Centrelab Electronics Div. of  
Globe-Union Inc.  
El Monte, California

Toyo Electronics  
(R-Ohm Corp.)  
Irvine, California

National Connector  
Minneapolis, Minnesota

# U.S. SALES OFFICES for all Fluke products

**AK, Anchorage**

Harry Lang & Associates  
1371 Hillcrest Drive #303  
Anchorage, AK 99503  
(907) 279-5741

**AL, Huntsville**

John Fluke Mfg. Co., Inc.  
3322 Memorial Parkway  
Huntsville, AL 35801  
(205) 881-6220  
(404) 396-3224 (Atlanta)

**AZ, Tempe**

John Fluke Mfg. Co., Inc.  
2125 S. 48th Street  
Suite 104  
Tempe, AZ 85282  
(602) 967-8724  
(602) 790-9881 (Tucson)

**CA, Los Angeles**

John Fluke Mfg. Co., Inc.  
20902 South Bonita St.  
Carson, CA 90746  
(213) 538-3900 or  
(714) 761-2449

**CA, Santa Clara**

John Fluke Mfg. Co., Inc.  
2300 Walsh Ave., Bldg. K  
Santa Clara, CA 95050  
(408) 727-0513

**CA, Tustin**

John Fluke Mfg. Co., Inc.  
15445 Red Hill Ave., Suite F  
Tustin, CA 92680  
(714) 838-8863  
(714) 226-1254 (San Diego)

**CO, Denver**

John Fluke Mfg. Co., Inc.  
1960 South Quebec St. #4  
Denver, CO 80231  
(303) 750-1222

**CT, Hartford**

John Fluke Mfg. Co., Inc.  
124 Hebron Ave.  
Glastonbury, CT 06033  
(203) 633-0777

**FL, Orlando**

John Fluke Mfg. Co., Inc.  
940 N. Fern Creek Ave.  
Orlando, FL 32803  
(305) 896-4881

**HI, Honolulu**

EMC Corporation  
2979 Ualena St.  
Honolulu, HI 96819  
(808) 836-1138

**IA, Iowa City**

John Fluke Mfg. Co., Inc.  
1027 Hollywood Blvd., #309  
Iowa City, IA 52240  
(319) 354-2811

**IL, Chicago**

John Fluke Mfg. Co., Inc.  
1400 Hicks Road  
Rolling Meadows, IL 60008  
(312) 398-0850

**IN, Indianapolis**

John Fluke Mfg. Co., Inc.  
5610 Crawfordsville Rd.  
Suite 802  
Indianapolis, IN 46224  
(317) 244-2456

**KA, Kansas City**

John Fluke Mfg. Co., Inc.  
4550 West 109th St.  
Suite 130  
Shawnee Mission, KA 66211  
(913) 381-9800

**MA, Burlington**

John Fluke Mfg. Co., Inc.  
25 "B" Street  
Burlington MASS  
(617) 273-4674

**MD, Rockville**

John Fluke Mfg. Co., Inc.  
5640 Fishers Lane  
Rockville, MD 20852  
(301) 770-1570  
(301) 792-7060 (Baltimore)

**MI, Detroit**

John Fluke Mfg. Co., Inc.  
13955 Farmington Rd.  
Livonia, MI 48154  
(313) 522-9140

**MN, Minneapolis**

John Fluke Mfg. Co., Inc.  
7373 West 147th Street  
Suite 196  
Apple Valley, MN 55124  
(612) 432-9400

**MO, St. Louis**

John Fluke Mfg. Co., Inc.  
300 Brookes Dr., Suite 100  
Hazelwood, MO 63042  
(314) 731-3388

**NC, Greensboro**

John Fluke Mfg. Co., Inc.  
1310 Beaman Place  
Greensboro, NC 27408  
(919) 273-1918

**NJ, Paramus**

John Fluke Mfg. Co., Inc.  
P.O. Box 930  
West 75 Century Road  
Paramus, NJ 07652  
(201) 262-9550

**NM, Albuquerque**

John Fluke Mfg. Co., Inc.  
1108 Alvarado Drive N.E.  
Albuquerque, NM 87110  
(505) 265-8431

**NY, Rochester**

John Fluke Mfg. Co., Inc.  
4515 Culver Road  
Rochester, NY 14622  
(716) 266-1400

**OH, Cleveland**

John Fluke Mfg. Co., Inc.  
7830 Freeway Circle  
Middleburg Heights, OH 44130  
(216) 234-4540

**OH, Dayton**

John Fluke Mfg. Co., Inc.  
4756 Fishburg Rd.  
Dayton, OH 45424  
(513) 233-2238

**OR, Portland**

John Fluke Mfg. Co., Inc.  
18360 S.W. Springfield Lane  
Aloha, OR 97007  
(503) 642-1342

**PA, Philadelphia**

John Fluke Mfg. Co., Inc.  
1010 West 8th Ave., Suite H  
King of Prussia, PA 19406  
(215) 265-4040  
(412) 261-5171 (Pittsburgh)

**TX, Austin**

John Fluke Mfg. Co., Inc.  
111 W. Anderson Lane  
Suite 213  
Austin, TX 78752  
(512) 478-9901  
(512) 340-2621 (San Antonio)

**TX, Dallas**

John Fluke Mfg. Co., Inc.  
14400 Midway Road  
Dallas, TX 75234  
(214) 233-9990

**TX, Houston**

John Fluke Mfg. Co., Inc.  
1014 Wirt Road, Suite 270  
Houston, TX 77055  
(713) 683-7913

**UT, Salt Lake City**

John Fluke Mfg. Co., Inc.  
782 East 8325 Street  
Sandy, UT 84070  
(801) 566-4864

**WA, Seattle**

John Fluke Mfg. Co., Inc.  
975 Industry Drive  
Seattle, WA 98188  
(206) 575-3765

For more information on Fluke products or Sales Offices you may dial (800) 426-0361 toll-free in most of U.S.  
From Alaska, Hawaii, or Washington, phone (206) 774-2481. From other countries phone (206) 774-2398.



# INTERNATIONAL SALES OFFICES

- Argentina •**  
Coasin, S.A.  
Virrey del Pino 4071  
Buenos Aires, Argentina  
Tel: 525130, TLX: 390122284
- Australia •**  
Elmeasco Instruments Pty Ltd.  
P.O. Box 30, Concord, N.S.W.  
Australia 2137  
Tel: (2) 736-2888, TLX: 79025887  
Elmeasco Instruments Pty Ltd.  
P.O. Box 107  
Mt. Waverly, VIC. 3149  
Australia  
Tel: 233-4044  
TLX: 36206 (ELMVIC)  
Elmeasco Instruments Pty Ltd.  
Professional Suite's Bldg.  
B.P.O. Box 2360  
Brisbane, 4001, Australia  
Tel: (07) 229-3161  
Elmeasco Instruments Pty Ltd.  
P.O. Box 1240  
G.P.O. Adelaide 5001  
South Australia  
Elmeasco Instruments Pty. Ltd.  
P.O. Box 95, Gosnells  
West Australia 6110  
Tel: (09) 348-3362
- Austria ■**  
Walter Rekersch  
Elektronische Gerate GmbH & Co.  
Vertriebs-KG., Obachgasse 28  
A-1220 Vienna, Austria  
Tel: (0222) 23555 TLX: 134759
- Belgium ■**  
Fluke (Belgium) S.A./N.V.  
6, Rue de Geneve  
1140 Brussels, Belgium  
Tel: (2) 2164090, TLX: 26312
- Bolivia •**  
Coasin Bolivia S.R.L.  
Casilla 7295, La Paz, Bolivia  
Tel: 40962
- Brazil •**  
Arotec S.A.  
Industria e Comercio  
Av. Pacaembu 811  
01234 Sao Paulo S.P., Brazil  
Tel: (011) 826-2266, TLX: 1122207  
Arotec S.A.  
Rua Araguari, 1705 s/402  
30.000 Belo Horizonte M.G., Brazil  
Tel: 335-7735  
Arotec S.A.  
Av. Rio Branco, 277, Grupo 1309  
02000 Rio de Janeiro, R.J., Brazil  
Tel: (021) 242-9776
- Brunei •**  
Rank O'Connor's (PTE) Limited  
No. 8, BK.D  
Surfri Shop House Complex  
Mile 1, Jalong Tutong  
Bandar Seri Begawan, Brunei  
Tel: 26680
- Bulgaria ■**  
Amtest Associates Ltd.  
P.O. Box 55  
Addlestone, Surrey KT15 1DU  
United Kingdom  
Tel: Weybridge (932) 52121  
TLX: 928855
- Canada •**  
Allan Crawford Assoc., Ltd.  
#14 1935 30th Ave. N.E.  
Calgary, Alberta T2E 6Z5  
Tel: (403) 230-1341  
Allan Crawford Assoc., Ltd.  
3795 William Street  
Burnaby, British Columbia V5C 3H3  
Tel: (604) 294-1326  
Allan Crawford Assoc., Ltd.  
192 Joseph Zatzman Dr.  
Suite 4  
Burnside Industrial Park  
Dartmouth, Nova Scotia B3B 1N4  
Tel: (902) 463-9360  
Allan Crawford Assoc., Ltd.  
881 Lady Ellen Place  
Ottawa, Ontario K1Z 5L3  
Tel: (613) 722-7682  
Allan Crawford Assoc., Ltd.  
6503 Northam Drive  
Mississauga, Ontario L4V 1J5  
Tel: (416) 678-1500  
Allan Crawford Assoc., Ltd.  
7018 cote de Liesse  
St. Laurent, Quebec H4T 1E7  
Tel: (514) 731-8564
- Chad ■**  
Fluke (Holland) B.V.  
P.O. Box 5053, Zevenheuvelenweg 53  
5004 EB Tilburg, Netherlands  
Tel: (013) 673973, TLX: 52237
- Chile •**  
Intronica Chile Ltda.  
Manuel Montt 024 - Of. D  
Casilla 16228, Santiago 9, Chile  
Tel: 44940  
TLX: No 40301 Cab. Publ.,  
Attn: Intronica Chile
- China, People's Republic of •**  
Fluke International Corporation  
P.O. Box 43210  
Mountlake Terrace, WA 98043  
Tel: (206) 774-2398  
TLX: 152662 JOHNFLUKE MTL
- Colombia •**  
Coasin Ltda.  
Carrera 13, No. 37-37, Of. 401  
Ap. Aero 29583  
Bogota DE, Colombia  
Tel: 232-45-32, TLX: 45787
- Cyprus ■**  
Chris Radiovision Ltd.  
P.O. Box 1989, Nicosia, Cyprus  
Tel: 66121, TLX: 2395
- Czechoslovakia ■**  
Amtest Associates Ltd.  
P.O. Box 55  
Addlestone, Surrey KT15 1DU  
United Kingdom  
Tel: Weybridge (932) 52121  
TLX: 928855
- Denmark ■**  
Tage Olsen A/S  
Ballerup Byvej 222  
DK - 2750 Ballerup, Denmark  
Tel: (2) 658111, TLX: 35293
- Ecuador •**  
Proteco Coasin Cia., Ltda.  
Edificio "Jerico"  
Ave. 12 de Octubre #2285 y  
Ave. Orellana (Planta Baja)  
Quito, Ecuador  
Tel: 529684, TLX: 2865 Protec Ed  
Proteco Coasin Cia., Ltda.  
Calderon 103Y Malecon  
Casilla #9733  
Guayaquil, Ecuador  
Tel: 526093
- Egypt and Sudan ■**  
Lotus Engineering Organisation  
P.O. Box 1252  
22, Kaft El Nil  
Cairo, Egypt  
Tel: 971617, TLX: 92504
- Eire (Republic of Ireland) ■**  
EURO Electronics  
32 Brews Hill  
Naven, County Meath, Ireland  
Tel: 46-23577, TLX: 3182
- Ethiopia ■**  
Fluke (Holland) B.V.  
P.O. Box 5053, Zevenheuvelenweg 53  
5004 EB Tilburg, Netherlands  
Tel: (013) 673973, TLX: 52237
- Finland ■**  
Oy Findip AB, Teollisuustie 7  
02700 Kauniainen, Finland  
Puh: (0) 5052255  
TLX: 123129
- France ■**  
M.B. Electronique S.A.  
Rue Fourny 606, Z1 Centre  
78530 BUC  
B.P. No. 31  
78530 BUC, France  
Tel: (3) 9568131, TLX: 695414
- German Democratic Republic ■**  
Amtest Associates Ltd.  
P.O. Box 55  
Addlestone, Surrey KT15 1DU  
United Kingdom  
Tel: Weybridge (932) 52121  
TLX: 928855
- German Federal Republic ■**  
Fluke (Deutschland) GmbH  
Max-Hueber StraBe 8  
8045 Ismaning, West Germany  
Tel: (089) 96251, TLX: 522472  
Rapifax: (089) 966718  
Fluke (Deutschland) GmbH  
MeineckestraBe 53  
4000 Dusseldorf 30, West Germany  
Tel: (0211) 450831, TLX: 8585576  
Fluke (Deutschland) GmbH  
Oberer Kirchhaldenweg 135  
7000 Stuttgart 1, West Germany  
Tel: (0711) 694091, TLX: 722518  
Fluke (Deutschland) GmbH  
Hubertusallee 46  
1000 Berlin-33, West Germany  
Tel: (030) 8911090  
TLX: 0184978
- Greece ■**  
Hellenic Scientific Representations Ltd.  
11, Vrasside Street  
Athens 615, Greece  
Tel: (1) 711140, TLX: 219330
- Hong Kong •**  
Schmidt & Co. (H.K.) Ltd.  
28th Fl. Wing on Centre  
111 Connaught Road  
Central Hong Kong  
Tel: 5-455644  
TLX: 74766 SCHMC HX
- Hungary ■**  
Amtest Associates Ltd.  
P.O. Box 55  
Addlestone, Surrey KT15 1DU  
United Kingdom  
Tel: Weybridge (932) 52121  
TLX: 928855
- Iceland •**  
Kristjan O. Skagfjord Ltd.  
P.O. Box 906  
Reykjavik, Iceland  
Tel: 24120, TLX: 2133
- India •**  
Hinditron Services Pvt. Ltd.  
69/A.L. Jagmohandas Marg  
Bombay 400 006, India  
Tel: 811316,  
TLX: 953-112326 Hspl In  
Hinditron Services Pvt. Ltd.  
33/44-A 8th Main Road  
Raj Mahl Vilas Extension  
Bangalore 560 080, India  
Tel: 33139  
TLX: 0845741  
Hinditron Services Pvt. Ltd.  
Shantiniketan, Office No.6  
6th Floor, 8 Camac Street  
Calcutta 700 017, India  
Tel: 434032, 447541  
Hinditron Services Pvt. Ltd.  
15 Community Centre, Panchshila Park  
New Delhi 110 017, India  
Tel: 619118  
Hinditron Services Pvt. Ltd.  
Srinath Complex, 5th Floor  
1-1-58/1 to 1-1-58/11  
Sarojini Devi Road  
Secunderabad 500 003, India  
Tel: 61705
- Indonesia •**  
P.T. Dwi Tunggal Jaya Sakti  
Sangga Buana Bldg., 1st Floor  
Jl. Senen Raya 44, P.O. Box 4435  
Jakarta, Indonesia  
Tel: 367390-9, TLX: 46624
- Iran ■**  
Irantronics Company Ltd.  
20, Salm Road  
Roosevelt Avenue, Tehran, Iran  
Tel: 828294/831564  
TLX: 212956
- Iraq ■**  
Fluke (Holland) B.V.  
P.O. Box 5053, Zevenheuvelenweg 53  
5004 EB Tilburg, Netherlands  
Tel: (013) 673973, TLX: 52237
- Ireland ■**  
Euro Electronics  
32 Brews Hill  
Naven County Meath, Ireland  
Tel: (46) 23577, TLX: 3182
- Israel ■**  
R.D.T. Electronics Engineering Ltd.  
P.O. Box 75  
46, Sokolov Street  
Ramat Hasharon 47235, Israel  
Tel: (3) 483212, TLX: 32143



John Fluke Mfg. Co., Inc., P.O. Box C9090, Everett, WA 98206. Phone (206) 342-6300  
Fluke (Holland) B.V., P.O. Box 5053, 5004 EB, Tilburg, The Netherlands. Phone (013) 673973

Litho in U.S.A. 3/81

Scans by ArtekMedia © 2006

**Italy ■**  
Sistrel S.p.A.  
Via Giuseppe Armellini No. 37  
00143 Rome, Italy  
Tel: (6) 5915551, TLX: 68356

Sistrel S.p.A.  
Via Pelizza da Volpedo 59  
20092 Cinisello besamo  
Milan, Italy  
Tel: (2) 6181893, TLX: 334643

Sistrel S.p.A.  
Via Cintia Parco S. Paolo 35  
80126 Naples, Italy  
Tel: (81) 7679700

**Japan ■**  
John Fluke Mfg. Co., Inc.  
Japan Branch  
(PC Board Testers only)  
1 Higashikata-machi  
Midori-ku

Yokohama 226, Japan  
Tel: (045) 473-5425  
TLX: 3823-666 FLKJJP

Tokyo Electron Ltd.  
38 FL Shinjuku Nomura Bldg.  
1-26-2, Nishi-Shinjuku  
Shinjuku-ku  
Tokyo 160, Japan  
Tel: 03-343-4411, TLX: 2322220

**Kenya ■**  
ADCOM Ltd.  
P.O. Box 30070  
Nairobi, Kenya, East Africa  
Tel: 331955, TLX: 22639

**Korea ■**  
Electro-Science Korea Co.  
C.P.O. Box 8446  
Rm. 501, Boondo Bldg.  
56-12 Jangchung-IKa  
Jung-ku  
Seoul, Korea  
Tel: 261-7702, TLX: K25381

**Kuwait ■**  
Tareq Company  
P.O. Box Safat 20506  
Kuwait, Arabian Gulf  
Tel: 436100/436045  
TLX: 2315

**Lebanon and Jordan ■**  
Mabek (Electronics Division)  
P.O. Box 11-3823  
Beirut, Lebanon  
Tel: 252631/348728  
TLX: 22889

**Libya ■**  
Fluke (Holland) B.V.  
P.O. Box 5053, Zevenheuvlenweg 53  
5004 EB Tilburg, Netherlands  
Tel: (013) 673973, TLX: 52237

**Malaysia ■**  
Rank O'Connor's (PTE) Limited  
P.O. Box 91, Petaling Jaya  
Selangor, West Malaysia  
Tel: 566599  
TLX: OCONOR MA37649

Rank O'Connor's (PTE) Limited  
Lot No. 5 Taman Mesra  
Mile 3, Jalan Penampang  
Kota Kinabulu, East Malaysia  
Tel: 55322. TLX: MA80286

**Mexico ■**  
Christensen S.A. De C.V.  
Instrumentos Electronicos de Medicion  
Melchor Ocampo 150-8  
Mexico 4 D.F., Mexico  
Tel: (905) 535-2258  
TLX: 1775612

**Morocco ■**  
Mainvest  
Residence Moulay Ismail, Bat. C.  
12, Place des Alaouites  
Rabat, Morocco  
Tel: (7) 23990, TLX: 31036

**Netherlands ■**  
Fluke (Nederland) B.V.  
Zonneban 39  
3606 CH Maarssen  
P.O. Box 225  
3600 AE Maarssen  
Tel: (030) 436514, TLX: 47128

**New Zealand ■**  
W & K McLean Ltd.  
P.O. Box 18065, Glen Innes  
Auckland, New Zealand  
Tel: 587-037  
TLX: N.Z. 7912763

W & K McLean Ltd.  
P.O. Box 2421  
Christchurch, New Zealand  
Tel: 851-450

W & K McLean Ltd.  
P.O. Box 496  
Wellington, New Zealand  
Tel: 851-450

**Nigeria ■**  
Mofat Engineering Co., Ltd.  
P.O. Box 6369  
Lagos, Nigeria  
TLX: 21353, Attn: MOFAT

**Norway ■**  
Morgenstjerne & Co A/S  
Konghellegate 3/5  
P.O. Box 6688, Rodelokka  
Oslo 5, Norway  
Tel: (2) 356110, TLX: 11719

**Pakistan ■**  
Pak International Operations  
505 Muhammadi House  
I.I. Chundrigar Road  
P.O. Box 5323, Karachi, Pakistan  
Tel: 221127, TLX: 24494

**PDR Yemen ■**  
Fluke (Holland) B.V.  
P.O. Box 5053, Zevenheuvlenweg 53  
5004 EB Tilburg, Netherlands  
Tel: (013) 673973, TLX: 52237

**Peru ■**  
Importaciones Y Representaciones  
Electronicas S.A.  
Avda. Franklin D. Roosevelt 105  
Lima 1, Peru  
Tel: 288650, TLX: 37425663

**Phillipines ■**  
Spark Radio & Electric Supply  
P.O. Box 610, Greenhills, San Juan  
M. Manila, Phillipines  
Tel: 78-78-16  
TLX: 27901 RLA PH

**Poland ■**  
Amtest Associates Ltd.  
P.O. Box 55  
Addlestone, Surrey KT15 1DU  
United Kingdom  
Tel: Weybridge (932) 52121  
TLX: 928855

**Portugal ■**  
Decada-Equipamentos  
de Electronica, Lda.  
P.O. Box 1128, 1003  
Lisbon Codex, Portugal  
Tel: (1) 574984, TLX: 18469

**Qatar ■**  
Technology Organisation  
P.O. Box 5549, Doha, Qatar  
Tel: 321431, TLX: 4581

**Romania ■**  
Amtest Associates Ltd.  
P.O. Box 55  
Addlestone, Surrey KT15 1DU  
United Kingdom  
Tel: Weybridge (932) 52121  
TLX: 928855

**Saudi Arabia ■**  
Electronic Equipment Marketing Co.Ltd  
P.O. Box 3750  
Riyadh, Saudi Arabia  
Tel: 4032761, TLX: 201120

**Singapore ■**  
Rank O'Connor's (PTE) Limited  
98 Pasir Panjang Road  
Singapore 0511  
Republic of Singapore  
Tel: 637944  
TLX: OCONSIN RS21023

**Somalia ■**  
Fluke (Holland) B.V.  
P.O. Box 5053, Zevenheuvlenweg 53  
5004 EB Tilburg, Netherlands  
Tel: (013) 673973, TLX: 52237

**South Africa ■**  
Fluke S.A. (Pty) Ltd.  
P.O. Box 39797, Bramley 2018  
Republic of South Africa  
Tel: (011) 786-3170, TLX: 424328

**Spain ■**  
Hispano Electronica S.A.  
Piligono Industrial Urtinsa  
Apartado de Correos 48  
Alcorcon (Madrid), Spain  
Tel: (1) 6194108  
TLX: 22404/42634

**Sweden ■**  
Teleinstrument AB  
P.O. Box 4490  
162 04 Vallingby, Sweden  
Tel: (8) 380370, TLX: 11347

**Switzerland ■**  
Traco Electronic Company Ltd.  
Jenatschstrasse 1  
8002 Zurich, Switzerland  
Tel: (1) 2010711, TLX: 54318

**Syria ■**  
Mabek (Electronics Division)  
P.O. Box 4238  
Damascus, Syria

**Taiwan ■**  
CCT Associates, Inc.  
P.O. Box 32-79  
Taipei, Taiwan, Republic of China  
Tel: (02) 391-6894,  
TLX: 24263 Longgulf

**Thailand ■**  
Dynamic Supply Engineering R.O.P.  
12 SOI, Pasana 1, Ekami Sukhumvit 63  
Bangkok-11, Thailand  
Tel: 3925313  
TLX: TH 82938 MONTIEN TH

**Tunesia ■**  
Selep S.A.R.L.  
6, Rue de Sparte  
Tunis - 1000 RP, Tunesia  
Tel: (1) 248093, TLX: 13030

**Turkey ■**  
Erkman Elektronik Aletler  
Ticaret Anonim Sirketi  
Necatiby Cad 92/3  
Karakoy, Istanbul, Turkey  
Tel: (1) 5461  
TLX: 23353

**United Arab Emirates & Oman ■**  
Haris A1-Afag Ltd.  
P.O. Box 545  
Sharajah, United Arab Emirates  
Tel: 35912/359121/359122/359123  
TLX: 23966

**United Kingdom ■**  
Fluke (G B) Ltd.  
Colonial Way  
Watford, Herts, WD2 4TT  
United Kingdom  
Tel: (0923) 40511, TLX: 934583  
Rapifax: (0923) 25067

**Uruguay ■**  
Coasin Uruguaya S.R.L.  
Cuareim 2196  
Casilla de Correos 1400  
Correo Central  
Montevideo, Uruguay  
Tel: 29-31-95, TLX: 37425663

**U.S.S.R. ■**  
Amtest Associates Ltd.  
P.O. Box 55  
Addlestone, Surrey KT15 1DU  
United Kingdom  
Tel: Weybridge (932) 52121  
TLX: 928855

**Venezuela ■**  
Coasin, C.A.  
Calle 9 Con Calle 4, Edif. Edinurbi  
Piso 3, La Urbina  
Apartado De Correos NR-70.136 Los Ruices  
Caracus 1070A, Venezuela  
Tel: 38-78-42, TLX: 2102

**Yemen ■**  
Fluke (Holland) B.V.  
P.O. Box 5053, Zevenheuvlenweg 53  
5004 EB Tilburg, Netherlands  
Tel: (013) 673973, TLX: 52237

**Yugoslavia ■**  
Amtest Associates Ltd.  
P.O. Box 55  
Addlestone, Surrey KT 15 1DU  
United Kingdom  
Tel: Weybridge (932) 52121  
TLX: 928855

■ **Supplied and Supported by** —  
Fluke (Holland) B.V.  
P.O. Box 5053, Zevenheuvlenweg 53  
5004 EB Tilburg, Netherlands  
Tel: (013) 673973, TLX: 52237

■ **Supplied and Supported by** —  
Fluke International Corporation  
P.O. Box C9090  
Everett, WA 98206  
Tel: (206) 356-6300  
TLX: 152662 JOHNFLUKE MTLT

■ **Latin America also supported by** —  
Sr. Benewaldo Padovani  
c/o AROTEC S.A.  
Industria e Comercio  
Av. Pacaembu 811  
01234 Sao Paulo S.P., Brazil  
Tel: (011) 826-2266  
TLX: 1122207 AROT BR

# TECHNICAL SERVICE CENTERS

## U.S. & Canada

### CA, Burbank

Fluke Technical Center  
2020 N. Lincoln Street  
Burbank, CA 91504  
(213) 849-4641

### CA, Santa Clara

Fluke Technical Center  
1980 S. Quebec St., Unit 4  
Denver, CO 80231  
(303) 750-1228

### FL, Orlando

Fluke Technical Center  
940 N. Fern Creek Avenue  
Orlando, FL 32803  
(305) 896-2296

### IL, Rolling Meadows

Fluke Technical Center  
1400 Hicks Road  
Rolling Meadows, IL 60008  
(312) 398-5800

### MA, Waltham

Fluke Technical Center  
25 "B" Street  
Burlington, MA 01803  
(617) 273-4678

### MD, Rockville

Fluke Technical Center  
5640 Fishers Lane  
Rockville, MD 20852  
(301) 770-1576

### MN, Apple Valley

Fluke Technical Center  
Suite 196  
7373 West 147th Street  
Apple Valley, MN 55124  
(612) 432-7050

### NC, Greensboro

Fluke Technical Center  
1310 Beaman Place  
Greensboro, NC 27408  
(919) 273-1918

### NJ, Paramus

Fluke Technical Center  
West 75th Century Road  
Paramus, NJ 07652  
(201) 262-9550

### TX, Dallas

Fluke Technical Center  
14400 Midway Road  
Dallas, TX 75240  
(214) 233-9945

### WA, Mountlake Terrace

Fluke Technical Center  
21707 66th Avenue West  
Suite 1  
Mountlake Terrace, WA 98043  
(206) 774-2206

### ALB, Calgary

Allan Crawford Assoc., Ltd.  
#14 1935 30th Ave. N.E.  
Calgary, Alberta T2E 6Z5  
(403) 230-1341

### ONT, Mississauga

Allan Crawford Assoc., Ltd.  
6503 Northam Drive  
Mississauga, Ontario L4V 1J2  
(416) 678-1500

### QUE, Montreal

All Crawford Assoc., Ltd.  
7918 Cote de Liesse  
Montreal, Quebec H41 1E7  
(514) 731-8564

### B.C., Burnaby

All Crawford Assoc., Ltd.  
795 William St.  
Burnaby, B.C. V5C 3H3  
(604) 294-1326

## Other Areas

### Argentina

Fluke Latin American  
Service Headquarters  
Virrey del Pino 4071  
Buenos Aires, Argentina  
Tel: 523185

## Australia

Elmeasco Instruments Pty Ltd.  
P.O. Box 30  
Concord, N.S.W.  
Australia 2137  
Tel: (02) 736-2888

## Australia

Elmeasco Instruments Pty. Ltd.  
P.O. Box 107  
Mr. Waverly, VIC 3149  
Australia  
Tel: (03) 2334044

## Australia

Elmeasco Instruments Pty. Ltd.  
GPO Box 2360  
Brisbane, Queensland 4001  
Australia  
Tel: (07) 229-3161

## Austria

Walter Rekirsch  
Elektronische Gerate GmbH & Co.  
Vertriebs-KG.  
Liechtensteinstraße 97/6  
A-1090 Vienna, Austria  
Tel: 09-43-222-347646

## Belgium

Fluke (Belgium) S.A./N.V.  
6, Rue de Geneve  
1140 Brussels, Belgium  
Tel: 09-32-2-2164090

## Brazil

Arotec S.A.  
Industria e Comercio  
Av. Pacaembu 811  
01234 Sao Paulo S.P., Brazil  
Tel: 826-2266

## Chile

Intronica Chile Ltda.  
Casilla 16228  
Santiago 9, Chile  
Tel: 44940

## Colombia

Coasin Ltda.  
Carrera 13, No. 37-43. Of. 401  
Ap. Aero 29583  
Bogota DE, Colombia  
Tel: 285-0230

## Denmark

Jage Olson A.S.  
Ballerup Byvej 222  
DK-2750 Ballerup  
Denmark  
Tel: (01)2-65 81 11

## Ecuador

Protoco Coasin Cia., Ltda.  
Edificio "Jerico"  
Ave. 12 de Octubre #2285 y  
Ave. Orellana (Planta Baja)  
Quito, Ecuador  
Tel: 526759

## Egypt

Lotus Engineering Organisation  
P.O. Box 1252  
Cairo, Egypt  
Tel: 971617

## Finland

Oy Findip AB  
Teollisuustie 7  
02700 Kauniainen  
Finland  
Tel: 09-358-0-502255

## France

M.B. Electronique S.A.  
Rue Fourny  
ZAC de BUC  
B.P. No. 31  
78530 BUC, France  
Tel: 09-33-1-9568131

## Greece

Hellenic Scientific  
Representations Ltd.  
11, Vrassida Street  
Athens 615, Greece  
Tel: 09-30-1-711140

## Hong Kong

Schmidt & Co (H.K.) Ltd.  
28th Fl. Wing On Centre  
111 Connaught Road  
Central Hong Kong  
Tel: 5-455644

## India

Hinditron Services Pvt. Ltd.  
Field Service Centre  
33/44-A, 8th Main Road  
Rajmahal Vilas Extn.  
Bangalore 560 080, India

## India

Hinditron Services Pvt. Ltd.  
69/A.L. Jagmohandas Marg  
Bombay 400 006, India  
Tel: 365344

## India

Hinditron Services Pvt. Ltd.  
15, Community Centre  
Panehashila Park  
Delhi 110 010, India

## Israel

R.D.T. Electronics Engineering Ltd.  
P.O. Box 75  
46, Sokolov Street  
Ramat Hasharon 47235  
Israel  
Tel: 09-972-3-483211

## Italy

Sistrel S.p.A.  
Via Pelizza da Volpedo 59  
20092 Cinisello Besamo  
Milan, Italy  
Tel: (2) 6181893

## Italy

Sistrel S.p.A.  
Via Guiseppe Armellini No. 37  
00143 Rome, Italy  
Tel: 09-39-6-5915551

## Japan

John Fluke Mfg. Co., Inc.  
Japan Branch  
1 Higashikata-machi  
Midori-ku  
Yokohama 226, Japan  
Tel: (045) 473-5428

## Korea

Electro-Science Korea Co.  
C.P.O. Box 8446  
Rm. 707 Bowon Bldg.  
490 Chongro - 5 Ka  
Chongro-ku  
Seoul, Korea  
Tel: 261-7702

## Malasia

Rank O'Connor's (Malasia) SDN. BHD.  
P.O. Box 91  
Petaling Jaya, Selangor  
West Malaysia  
Tel: 566599

## Mexico

C.J. Christensen S.A. De C.V.  
Melchor Ocampo 150-8  
Mexico 4 D.F., Mexico  
Tel: (905) 535-2258

## Netherlands

Fluke (Nederland) B.V.  
P.O. Box 5053  
5004 EB Tilburg  
The Netherlands  
Tel: 684971

## New Zealand

W & K McLean Ltd.  
P.O. Box 18065  
Glen Innes  
Auckland, New Zealand  
Tel: 587-037

## Norway

Morgenstjerne & Co. A/A  
Konghellegate 3  
P.O. Box 6688, Rodelokka  
Oslo 5, Norway  
Tel: 09-47-2-356110

## Pakistan

Pak International Operations  
505 Mohammadi House  
I.I. Chundrigar Road  
Karachi-2 Pakistan  
Tel: 221127, 239052

## Peru

Importaciones Y Representaciones  
Electronicas S.A.  
Avda. Franklin D. Roosevelt 105  
Lima I, Peru  
Tel: 288650

## Peru

Spark Radio and Electric Supply  
P.O. Box 610  
Greenhills, San Juan  
Metro Manila, Philippines  
Tel: 78-78-16

## Portugal

Equipamentos de Laboratorio, Ltda.  
P.O. Box 1100  
I Lisbon 1002, Portugal  
Tel: 09-351-1-578936/547512

## Republic of Singapore

Rank O'Connor's (PTE) Ltd.  
98 Pasir Panjang Road  
Singapore 0511  
Republic of Singapore  
Tel: 637944

## Republic of South Africa

Fluke S.A. (Pty) Ltd.  
P.O. Box 39797  
Bramley 2018  
Republic of South Africa  
Tel: (011) 786-3170

## Spain

Hispano Electronica S.A.  
Apartado de Correos 48  
Alcorcon (Madrid)  
Spain  
Tel: 09-341694108

## Sweden

Teleinstrument AB  
P.O. Box 490  
S-162 Vallingby 4  
Sweden  
Tel: -09-46-8-380370

## Switzerland

Traco Electronic AG  
Jenatschstrasse 1  
8002 Zurich  
Switzerland  
Tel: 09-41-1-2010711

## Taiwan

CCT Associates, Inc.  
P.O. Box 32-79  
Taipei, Taiwan  
Republic of China  
Tel: (02) 391-6894, 393-5760

## Thailand

Dynamic Supply Engineering R.O.P.  
12, Soi Pasana 1, Ekami  
Sukhumvit 63  
Bangkok 11, Thailand  
Tel: 3925313

## Turkey

Erkman Elektronik Aletler  
Ticaret Anonim Sirketi  
Necatihy Cad 92 3  
Karakoy, Istanbul, Turkey  
Tel: 09-44-1-5461

## United Kingdom

Fluke (GB) Ltd.  
Colonial Way  
Watford, Herts., WD2 4TT  
United Kingdom  
Tel: 09-4492340511

## Uruguay

Coasin Uruguayua S.R.L.  
Casilla de Correos 1400  
Correo Central  
Montevideo, Uruguay  
Tel: 29-31-95

## Venezuela

Coasin C.A.  
Calle 9 Con Calle 4  
Edif. Edinurhi  
Piso 3, La Urbina  
Apartado de Correos Nr-70, 136  
Los Ruices  
Caracas 1070-A, Venezuela  
Tel: 387842

## West Germany

Fluke (Deutschland) GmbH  
Krausstrabe 32  
8045 Ismaning  
West Germany  
Tel: (089) 96251



John Fluke Mfg. Co., Inc., P.O. Box C9090, Everett, WA 98206. Phone (206) 342-6300  
Fluke (Holland) B.V., P.O. Box 5053, 5004 EB, Tilburg, The Netherlands. Phone (013) 673973

Litho in U.S.A. 3/81 Scans by ArtekMedia © 2006

## Appendix 7A Manual Change Information

### INTRODUCTION

This appendix contains information necessary to backdate the manual to conform with earlier pcb configurations. To identify the configurations of the pcb's used in your instrument, refer to the revision letter (marked in ink) on the component side of each pcb assembly. Table 7A-1 defines the assembly revision levels documented in this manual with an X.

### NEWER INSTRUMENTS

Changes and improvements made to the instrument are identified by incrementing the revision letter marked on the affected pcb assembly. These changes are documented on a supplemental change/errata sheet which, when applicable, is inserted in the front of the manual.

### OLDER INSTRUMENTS

To backdate this manual to conform with earlier assembly revision levels, perform the changes indicated in Table 7A-1.

### CHANGES

There are no backdating changes at this printing. All pcb assemblies are documented at their original revision level.

### OPTIONS

Change/errata information and backdating data for options will be included with the option instructions. These instructions are included with the option when shipped and can easily be added to the instrument's Instruction Manual.

Table 7A-1. Manual Status and Back Dating Information

Ref Or Option No.	Assembly Name	Fluke Part No.	* To adapt manual to earlier rev configurations perform changes in descending order (by no.), ending with change under desired rev letter																	
			-	A	B	C	D	E	F	G	H	I	J	K	L	M	N	P	R	
A2	Motherboard Assy (8502-4001)	481713	2	1	◆	X														
A3	Bus Interconnect (MIS-4081)	458636	X																	
A4	Power Supply (8500A-4041)	448886	●	●	5	4	3	◆	◆	X										
A4	Power Supply																			
A5	Power Supply Interconnect (8500A-4032)	401760	X																	
A6	Controller Assy (8502A-4185T)	384024	6	X																
A6A1	Controller PCB (8502A-4185)	471318	9	◆	8	7	◆	X												
A6A2	PROM-ROM-RAM PCB (8502A-4088)	458141	●	10	◆	X														
A6	Controller Assy																			
A7	Front Panel Display (8502A)-4023)	481689	11	◆	X															
A8	DC Signal Conditioner (MIS-4100)	383901	●	●	●	●	●	●	●	●	15	14	13	◆	◆	◆	12	X		
A9	Active Filter (MIS-4130)	383976	●	●	●	●	●	◆	◆	16	X									
A10	A/D Converter Assy																			
A10A1	A/D Analog Assy (MIS-4140)	383752	●	●	●	●	●	●	●	●	●	●	●	18	◆	17	X			
A10A1	A/D Digital Assy (MIS-4141)	383760	●	●	20	◆	19	X												
01	AC/DC Converter (Averaging) (MIS-4101)		●	●	●	●	●	●	●	●	23	◆	◆	◆	22	21	X			
02	Ohms Converter (MIS-4110)		●	●	●	●	●	26	25	◆	24	X								
03	Current Shunts (MIS-4104)		●	●	●	●	●	●	29	◆	28	27	◆	X						
04	Calibration Memory (8500A-4160)		●	●	●	●	●	●	X											

- A B C D E F G H I J K L M N P R

\* X = The PCB revision levels documented in this manual.  
 ● = These revision letters were never used in the instrument.  
 - = No revision letter on the PCB.  
 ◆ = This revision does not affect the manual.

**Table 7A-1. Manual Status and Back Dating Information (cont)**

Ref Or Option No.	Assembly Name	Fluke Part No.	* To adapt manual to earlier rev configurations perform changes in descending order (by no.), ending with change under desired rev letter																		
			-	A	B	C	D	E	F	G	H	I	J	K	L	M	N	P	R		
05	IEEE-488 Interface (MB) (MIS-4172)		•	•	•	•	•	•	•	•	30	♦	X								
	IEEE-488 Interface (PB) (MIS-4072)		•	•	•	•	X														
	IEEE-488 Interface (PB) (MIS-4074)		♦	31	X																
06	Bit Serial Interface (MIS-4170)		•	•	•	•	•	•	•	•	•	♦	X								
07	Parallel Interface (MIS-4171)		•	•	•	•	33	32	X												
	Parallel Interface (MIS-4175)		♦	35	34	X															
08A	Isolator (External Trigger) (8502A-4181)		37	36	X																
09A	AC/DC Converter (RMS) (MIS-4103)		•	45	44	43	♦	42	41	40	39	38	X								
			-	A	B	C	D	E	F	G	H	I	J	K	L	M	N	P	R		

\* X = The PCB revision levels documented in this manual.  
 • = These revision letters were never used in the instrument.  
 - = No revision letter on the PCB.  
 ♦ = This revision does not affect the manual.

1. A2 Motherboard Assy (8502A-4001) — To modify from Rev B to Rev A:

**DELETE THE FOLLOWING ITEMS:**

H5	WASHER, FLAT, #8	110270	73734	1406	2
H6	WASHER, SPLIT	403923	89536	403923	2

2. A2 Motherboard Assy — To modify from Rev A to Rev —:

**CHANGE J41 and J42 as follows:**

FROM: J41	BINDING POST, BLACK	493973	32767	820-45	1
J42	BINDING POST, RED	493981	32767	820-65	1
TO: J41	BINDING POST, BLACK	275560	32767	820-45	1
J42	BINDING POST, RED	275552	32767	820-65	1

3. A4 Power Supply (8500A-4041) — To modify from Rev E to Rev D:

**ADD THE FOLLOWING ITEM:**

R1	RES, DEP CAR, 3.3K±5%, 1/4W	348813	80031	CR251-4-5P3K3	2
----	-----------------------------	--------	-------	---------------	---

**CHANGE the QTY of R2 from 1 to REF**

**DELETE THE FOLLOWING ITEMS:**

R7	RES, DEP CAR, 240±5%, 1/4W	376624	80031	CR251-4-5P240E	1
R8	RES, DEP CAR, 2K±5%, 1/4W	441493	80031	CR251-4-5P2K	1
R9	RES, VAR, 500±20%, 1/2W	226068	19701	501	1

4. A4 Power Supply (8500A-4041) — to modify from Rev D to Rev C:

**CHANGE BR4 as follows:**

FROM: BR4	BRIDGE RECTIFIER	428839	09713	MDA970-1	1
TO: BR4	BRIDGE RECTIFIER	296509	09432	FB200	REF

**CHANGE the QTY of BR1 from 4 to 3**

5. A4 Power Supply (8500A-4041) — To modify from Rev C to Rev B:

**CHANGE MP5 as follows:**

FROM: MP5	INSULATOR, MTG (NOT SHOWN)	508630	55285	7403-09FR-51	5
TO: MP5	INSULATOR, MTG (NOT SHOWN)	428821	55285	7403-10-51	5

6. A6 Controller Assy (8502A-4185T) — To modify from Rev A to Rev —:

**CHANGE U3 through U7 as follows:**

FROM: U3	PROM 2716	490003	89536	490003	1
U4	PROM 2716	489997	89536	489997	1
U5	PROM 2716	489989	89536	489989	1
U6	PROM 2716	489971	89536	489971	1
U7	PROM 2716	489963	89536	489963	1
TO: U3	PROM 2716	472225	89536	472225	1

U4	PROM	2716	472233	89536	472233	1
U5	PROM	2716	472241	89536	472241	1
U6	PROM	2716	472258	89536	472258	1
U7	PROM	2716	472266	89536	472266	1

**DELETE THE FOLLOWING ITEM:**

U8	PROM	2716	489955	89536	489955	1
----	------	------	--------	-------	--------	---

7. A6A1 Controller PCB (8502A-4185) — To modify from Rev D to Rev C:

**CHANGE R26 as follows:**

FROM:	R26	RES, CAR DEP, 47K±5%, 1/4W	348896	80031	CR251-4-5P47K	1
TO:	R26	RES, CAR DEP, 30K±5%, 1/4W	368753	80031	CR251-4-5P30K	1

8. A6A1 Controller PCB (8502A-4185) — To modify from Rev C to Rev B:

**CHANGE C8 as follows:**

FROM:	C8	CAP	148569			1
TO:	C8	CAP, MICA, 4PF±0.5PF, 500V	190397	72136	DM15C040E	2

**CHANGE the quantity of R9 from 1 to REF****CHANGE the times noted in the  $\phi$  pulse train of Figure 4-6 as follows:**

FROM:	$\geq 60$ ns	TO:	>70ns
FROM:	80±ns	TO:	blank
FROM:	95±5ns	TO:	$\geq$ ns (no overlap)
FROM:	588ns	TO:	508ns

9. A6A1 Controller PCB (8502A-4185) — To modify from Rev A to Rev —:

**CHANGE C1 as follows:**

FROM:	C1	CAP, MICA, 22PF±5%, 500V	148551	72136	DM15E220J	1
TO:	C1	CAP, MICA, 15PF±5%, 500V	148569	72136	DM15C150J	1

**DELETE THE FOLLOWING ITEM:**

CR2	DIODE, SI, HI-SPEED SWITCHING	203323	07910	IN4448	1
-----	-------------------------------	--------	-------	--------	---

10. A6A2 PROM ROM PCB (8502A-4088) — To modify from Rev B to Rev A:

**DELETE THE FOLLOWING ITEM:**

C8	CAP, CER, 0.22UF±20%, 25V	309849	71590	CW30C224K	REF
----	---------------------------	--------	-------	-----------	-----

**CHANGE the quantity of C3 from 6 to 5**

11. A7 Front Panel Display (8502A-4023) — To modify from Rev A to Rev —:

**CHANGE H1 as follows:**

FROM:	H1	SPACER (NOT SHOWN)	448432	89536	448432	1
TO:	H1	SPACER (NOT SHOWN)	446641	11897	167-PB-0588	1



## 12. A8 DC Signal Conditioner (MIS-4100) — To modify Rev R to Rev P:

**CHANGE Q18 as follows:**

FROM: Q18	585109			1
TO: Q18 TRANSISTOR, NPN, SI	284075	32293	IT1099	1

## 13. A8 DC Signal Conditioner (MIS-4100) — To modify Rev L to Rev K:

**DELETE THE FOLLOWING ITEM:**

CR5 DIODE	348177	XXXXX1		1
-----------	--------	--------	--	---

## 14. A8 DC Signal Conditioner (MIS-4100) — To modify Rev K to Rev J:

**CHANGE U3 and U4 as follows:**

FROM: U3 IC, OP AMP, J-FET	357830	12040	LH0042C	2	1
U4 IC, OP AMP, J-FET	357830	12040	LH0042C	REF	
TO: U3 IC, OP AMP, J-FET	310037	12040	LH0042CH	2	1
U4 IC, OP AMP, J-FET	310037	12040	LH0042CH	REF	

## 15. A8 DC Signal Conditioner (MIS-4100) — To modify Rev J to Rev H:

**CHANGE K1 and K2 as follows:**

FROM: K1 RELAY, ARMATURE, LO-PROFILE	515437	89536	515437	2
K2 RELAY, ARMATURE, LO-PROFILE	515437	89536	515437	REF
TO: K1 RELAY, ARMATURE, LO-PROFILE	441261	77342	R40-E0186-1	2
K2 RELAY, ARMATURE, LO-PROFILE	441261	77342	R40-E0186-1	REF

## 16. A9 Active Filter (MIS-4130) — To modify Rev H to Rev G:

**DELETE the following item and change the quantity of Q14 from 15 to 14:**

Q33 TRANSISTOR, FET, N-CHANNEL	393314	89536	393314	REF
--------------------------------	--------	-------	--------	-----

## 17. A10A1 A/D Analog Assy (MIS-4140) — To modify Rev P to Rev N:

**CHANGE R25 and R26 as follows:**

FROM: R25 RES, MF, 42.2K±1%, 1/8W	221655	91637	MFF1-84222F	2
R26 RES, MF, 42.2K±1%, 1/8W	221655	91637	MFF1-84222F	REF
TO: R25 RES, MF, 49.9K±1%, 1/8W	268821	91637	MFF1-84992F	2
R26 RES, MF, 49.9K±1%, 1/8W	268821	91637	MFF1-84992F	REF

## 18. A10A1 A/D Analog Assy (MIS-4140) — To modify Rev M to Rev L:

**DELETE the following items and change the quantity of C16 from 4 to 2:**

C22 CAP, CER, 0.22UF±20%, 50V	309849	71590	CW30C224K	REF
C23 CAP, CER, 0.22UF±20%, 50V	309849	71590	CW30C224K	REF

## 19. A10A2 A/D Digital Assy (MIS-4141) — To modify Rev E to Rev D:

**CHANGE U38 as follows:**

FROM: U38 IC, LINEAR, 5XSTR ARRAY	477778	89536	477778	REF
TO: U38 IC, LINEAR, 5SXTR ARRAY	380188	02735	CA318E	REF

**CHANGE the quantity of U14 from 3 to 4.**  
**CHANGE the quantity of U23 from 2 to 1.**

20. A10A2 A/D Digital Assy (MIS-4141) — to modify Rev C to Rev B:

**CHANGE U23 as follows and change the quantity of U14 from 4 to 5**

FROM: U23 IC, LINEAR, 5XSTR ARRAY	477778	89536	477778	1
TO: U23 IC, LINEAR, 5XSTR ARRAY	380188	02735	CA3183	REF

21. Opt -01 AC/DC Converter (Averaging) (MIS-4101) — To modify Rev P to Rev N:

**CHANGE R3 as follows:**

FROM: R3 RES, DEP CAR, 120K±5%, 1/4W	441386	80031	CR251-4-5P120K	2
TO: R3 RES, DEP CAR, 270K±5%, 1/4W	348961	80031	CR251-4-5P270K	1

**CHANGE the quantity of R50 from REF to 1.**

22. Opt -01 AC/DC Converter (Averaging) (MIS-4101) — To modify Rev N to Rev M:

**CHANGE R3 as follows:**

FROM: R3 RES, DEP CAR, 270K±5%, 1/4W	348961	80031	CR251-4-5P270K	1
TO: R3 RES, MF, 221K±1%, 1/2W	182527	91637	CMF651-2-1P221K	1

**DELETE R55 as follows and change the quantity of R17 from 3 to 2:**

R55 RES, VAR, CERMET, 100K±10%, 1/2W	288308	89536	288308	REF
--------------------------------------	--------	-------	--------	-----

23. Opt -01 AC/DC Converter (Averaging) (MIS-4101) — To modify Rev N to Rev M:

**CHANGE R3 as follows:**

FROM: R3 RES, MF, 221K±1%, 1/2W	182527	91637	CMF651-2-1P221K	1
TO: R3 RES, COMP, 120K±5%, 1/4W	193458	01121	CB1245	1

**CHANGE R19 as follows:**

FROM: R19 RES, VAR, CERMET, 5K±10%, 1/2W	288282	89536	288282	1
TO: R19 RES, VAR, CERMET, 2K±10%, 1/2W	285163	89536	285163	1

**CHANGE R13 as follows and change the quantity of R26 from 3 to REF**

FROM: R13 RES, DEP CAR, 75K±5%, 1/4W	394130	80031	CR251-4-5P75K1	
TO: R13 RES, DEP CAR, 47K±5%, 1/4W	348896	80031	CR251-4-5P47K	4

**CHANGE the quantity of SOCKET, COMPONENT LEAD (343285) from 8 to 4:**

24. Opt -02 Ohms Converter (MIS-4110) — to modify from Rev J to Rev H

**CHANGE R14 as follows:**

FROM: R14 RES, DEP CAR, 20K±5%, 1/4W	441477	80031	CR251-4-5P20K	1
TO: R14 RES, DEP CAR, 120K±5%, 1/4W	441386	80031	CR251-4-5P120K	5

**CHANGE the quantity of R47 from 4 to REF.**

25. Opt -02 Ohms Converter (MIS-4110) — To modify from Rev G to Rev F:

**CHANGE K1 as follows:**

FROM: K1 RELAY ARMATURE	515429	89536	515437	1
TO: K1 RELAY ARMATURE	441261	77342	R40-E0186-1	1

26. Opt -02 Ohms Converter (MIS-4110) — To modify from Rev F to Rev E:

**CHANGE R63, R64, and R65 as follows:**

FROM: R63 RES, MF, 15.8K±1%, 1/8W	293688	91637	MFF1-81582F	1
R64 RES, MF, 73.2K±1%, 1/8W	237222	91637	MFF1-87322F	1
R65 RES, MF, 30.1K±1%, 1/8W	168286	91637	MFF1-83012F	1
TO: R63 RES, MF, 28K±1%, 1/8W	291835	91637	MFF1-82802F	1
R64 RES, MF, 21K±1%, 1/8W	229484	91637	MFF1-82102F	1
R65 RES, MF, 17.8K±1%, 1/8W	349183	91637	MFF1-81782F	1

27. Opt -03 Current Shunts (MIS-4104) — To modify from Rev L to Rev K:

**DELETE C14 as follows:**

C14 CAP, MICA, 390PF±5%, 500V	148437	72316	DM15F391J	1
-------------------------------	--------	-------	-----------	---

28. Opt -03 Current Shunts (MIS-4104) — To modify from Rev K to Rev J:

**CHANGE CR5, CR6, CR7, CR8, CR9, CR10, as follows:**

FROM: CR5 DIODE, SI, 1A, 600 PIV	112383	05277	FN4822	6
CR6 DIODE, SI, 1A, 600 PIV	112383	05277	FN4822	REF
CR7 DIODE, SI, 1A, 600 PIV	112383	05277	FN4822	REF
CR8 DIODE, SI, 1A, 600PIV	112383	05277	FN4822	REF
CR9 DIODE, SI, 1A, 600 PIV	112383	05277	FN4822	REF
CR1 DIODE, SI, 1A, 600 PIV	112383	05277	FN4822	REF
TO: CR5 DIODE, SI, RECT	347559	05277	1N5400	6
CR6 DIODE, SI, RECT	347559	05277	1N5400	REF
CR7 DIODE, SI, RECT	347559	05277	1N5400	REF
CR8 DIODE, SI, RECT	347559	05277	1N5400	REF
CR9 DIODE, SI, RECT	347559	05277	1N5400	REF
CR1 DIODE, SI, RECT	347559	05277	1N5400	REF

29. Opt -03 Current Shunts (MIS-4104) — to modify from Rev H to Rev G:

**DELETE C12 and C13 as follows:**

C12 CAP, CER, 0.22UF±20%, 50V	309849	71590	CW30C224K	2
C13 CAP, CER, 0.22UF±20%, 50V	309848	71590	CW30224K	REF

30. Opt -05 IEEE-488 Interface (MIS-4172) — To modify from Rev H to Rev G:

**CHANGE J3 as follows:**

FROM: J3	CONNECTOR,	534107			1
TO: J3	CONN, CABLE, 24-PIN, MODIFIED	441337	02660	57-20240-14	1

31. Opt -05 IEEE-488 Interface (MIS-4074) — To modify from Rev B to Rev A:

**CHANGE P2 and P2-1 as follows:**

FROM: P2		447110			1
	P2-1 1	447102			1
TO: P2	CONNECTOR, SOCKET, 4-PIN	417311	20447	SS-109-1-04	5
	P2-1 CONNECTOR, SOCKET, 12-PIN	417733	20447	SS-109-1-12	3

32. Opt -07 Parallel Interface (MIS-4171) — To modify from Rev F to Rev E:

**CHANGE J2 as follows:**

FROM: J2	CONNECTOR			447110	2
	J2 SOCKET, 12-PIN	425744	89536	425744	2
TO: J2-1	SOCKET, 4-PIN	417311	20447	SS-109-1-041	4

33. Opt -07 Parallel Interface (MIS-4171) — to modify from Rev E to Rev D:

**DELETE R7 as follows:**

R7	DEP CAR, 100K±5%, 1/4W	348920	80031	CR251-4-5P100K	1
----	------------------------	--------	-------	----------------	---

34. Opt -07 Parallel Interface (MIS-4175) — To modify from Rev C to Rev B:

**CHANGE J2 as follows:**

FROM: J2	CONNECTOR			447110	2
	J2 SOCKET, 12-PIN	425744	89536	425744	2
TO: J2-1	SOCKET, 4-PIN	417311	20447	SS-109-1-041/4	

35. Opt -07 Parallel Interface (MIS-4175) — To modify from Rev B to Rev A:

**DELETE R7 as follows:**

R7	DEP CAR, 100K±5%, 1/4W	348920	80031	CR251-4-5P100K	1
----	------------------------	--------	-------	----------------	---

36. Opt -08A Isolator (External Trigger) (8502A-4181) — To modify from Rev B to Rev A:

**DELETE L1 as follows:**

L1	CHOKE, 6-TURN	320911	89536	320911	1
----	---------------	--------	-------	--------	---

37. Opt -08A Isolator (External Trigger) (8502A-4181) — To modify from Rev A to Rev —:

**CHANGE R18 as follows:**

FROM: R18	RES, DEP CAR, 100K±5%, 1/4W	348920	80031	CR251-4-5P100K	1
TO: R18	RES, DEP CAR, 100±5%, 1/4W	348771	80031	CR251-4-5P100E	1

38. Opt -09A AC/DC Converter (RMS) (MIS-4103) — To modify from Rev K to Rev J:

**CHANGE C39 as follows:**

FROM: C39 CAP, TA, ELECT, 15UF±10%, 20V	153056	56289	150D156X9020B2	REF
TO: C39 CAP, MYLAR, 0.1UF±10%, 100V	393439	73445	C280MAH/A100K	REF

**CHANGE the quantity of C3 from 4 to 3.**  
**CHANGE the quantity of C7 from 2 to 3.**

39. Opt -09A AC/DC Converter (RMS) (MIS-4103) — To modify from Rev J to Rev H:

**CHANGE R3 as follows:**

FROM: R3 RES, DEP CAR, 200±5%, 1/4W	441451	80031	CR251-4-5P200E	1
TO: R3 RES, COMP, 200 ±5%, 1/2W	169839	01121	EB2015	1

40. Opt-09A AC/DC Converter (RMS) (MIS-4103) — To modify from Rev H to Rev G:

**CHANGE R14 as follows:**

FROM: R14 RES, VAR, CER, 5K±10%, 1/2W	288282	89536	288282	1	1
TO: R14 RES, VAR, CERMET, 2K±10%, 1/2W	285163	89536	285163	1	1

41. Opt -09A AC/DC Converter (RMS) (MIS-4103) — To modify from Rev G to Rev F:

**CHANGE CL1 as follows:**

FROM: CL1 DIODE, FET, CURRENT REGULATOR	429373	89536	429373	1
TO: CL1 DIODE, FET, CURRENT REGULATOR	285106	07910	1CR5309	1

42. Opt -09A AC/DC Converter (RMS) (MIS-4103) — To modify from Rev F to Rev E:

**CHANGE U5 as follows:**

FROM: U5 IC, LIN, OP AMP	418368	12040	LM208A	1	1
TO: U5 IC, LIN, OP AMP	288928	12040	LM308AH	1	1

43. Opt 09A AC/DC Converter (RMS) (MIS-4103) — To modify from Rev D to Rev C:

**CHANGE R25 as follows:**

FROM: R25 RES, DEP CAR, 2K±5%, 1/4W	441469	80031	CR251-4-5P2K	1
TO: R25 RES, COMP 3K±5%, 1/4W	193508	01121	CB3025	1

44. Opt -09A AC/DC Converter (RMS) MIS-4103) — To modify from Rev C to Rev B:

**CHANGE R3 as follows:**

FROM: R3 RES, COMP, 200±5%, 1/2W	169839	01121	EB2015	1
TO: R3 RES, MF, 2K±1%, 1/8W	235226	91637	CMF552001F	1

**CHANGE R2 as follows:**

FROM: R2 RES, MF, 13K±1%, 1/8W	335539	91637	CMF551302F	1
TO: R2 RES, MF, 16.9k±1%, 1/8W	267146	91637	CMF551692F	1

45. Opt -09A AC/DC Converter (RMS) (MIS-4103) — To modify from Rev B to Rev A:

**CHANGE C18 as follows:**

FROM: C18 CAP, MICA, 15PF±5%, 500V	148569	72136	DM15C150J	3
TO: C18 CAP, MICA, 27PF±5%, 500V	177998	72136	DM15F270J	REF

**CHANGE the quantity of C16 from 5 to 6.**

**CHANGE the quantity of C40 from REF to 2.**

## List of Abbreviations and Symbols

<b>A or amp</b>	ampere	<b>hf</b>	high frequency	<b>(+) or pos</b>	positive
<b>ac</b>	alternating current	<b>Hz</b>	hertz	<b>pot</b>	potentiometer
<b>af</b>	audio frequency	<b>IC</b>	integrated circuit	<b>p-p</b>	peak-to-peak
<b>a/d</b>	analog-to-digital	<b>if</b>	intermediate frequency	<b>ppm</b>	parts per million
<b>assy</b>	assembly	<b>in</b>	inch(es)	<b>PROM</b>	programmable read-only memory
<b>AWG</b>	american wire gauge	<b>intl</b>	internal	<b>psi</b>	pound-force per square inch
<b>B</b>	bel	<b>I/O</b>	input/output	<b>RAM</b>	random-access memory
<b>bcd</b>	binary coded decimal	<b>k</b>	kilo (10 <sup>3</sup> )	<b>rf</b>	radio frequency
<b>°C</b>	Celsius	<b>kHz</b>	kilohertz	<b>rms</b>	root mean square
<b>cap</b>	capacitor	<b>kΩ</b>	kilohm(s)	<b>ROM</b>	read-only memory
<b>ccw</b>	counterclockwise	<b>kV</b>	kilovolt(s)	<b>s or sec</b>	second (time)
<b>cer</b>	ceramic	<b>lf</b>	low frequency	<b>scope</b>	oscilloscope
<b>cermet</b>	ceramic to metal(seal)	<b>LED</b>	light-emitting diode	<b>SH</b>	shield
<b>ckt</b>	circuit	<b>LSB</b>	least significant bit	<b>Si</b>	silicon
<b>cm</b>	centimeter	<b>LSD</b>	least significant digit	<b>serno</b>	serial number
<b>cmrr</b>	common mode rejection ratio	<b>M</b>	mega (10 <sup>6</sup> )	<b>sr</b>	shift register
<b>comp</b>	composition	<b>m</b>	milli (10 <sup>-3</sup> )	<b>Ta</b>	tantalum
<b>cont</b>	continue	<b>mA</b>	milliampere(s)	<b>tb</b>	terminal board
<b>crt</b>	cathode-ray tube	<b>max</b>	maximum	<b>tc</b>	temperature coefficient or temperature compensating
<b>cw</b>	clockwise	<b>mf</b>	metal film	<b>tcxo</b>	temperature compensated crystal oscillator
<b>d/a</b>	digital-to-analog	<b>MHz</b>	megahertz	<b>tp</b>	test point
<b>dac</b>	digital-to-analog converter	<b>min</b>	minimum	<b>u or μ</b>	micro (10 <sup>-6</sup> )
<b>dB</b>	decibel	<b>mm</b>	millimeter	<b>uhf</b>	ultra high frequency
<b>dc</b>	direct current	<b>ms</b>	millisecond	<b>us or μs</b>	microsecond(s) (10 <sup>-6</sup> )
<b>dmm</b>	digital multimeter	<b>MSB</b>	most significant bit	<b>uut</b>	unit under test
<b>dvm</b>	digital voltmeter	<b>MSD</b>	most significant digit	<b>V</b>	volt
<b>elect</b>	electrolytic	<b>MTBF</b>	mean time between failures	<b>v</b>	voltage
<b>ext</b>	external	<b>MTTR</b>	mean time to repair	<b>var</b>	variable
<b>F</b>	farad	<b>mV</b>	millivolt(s)	<b>vco</b>	voltage controlled oscillator
<b>°F</b>	Fahrenheit	<b>mv</b>	multivibrator	<b>vhf</b>	very high frequency
<b>FET</b>	Field-effect transistor	<b>MΩ</b>	megohm(s)	<b>vlf</b>	very low frequency
<b>ff</b>	flip-flop	<b>n</b>	nano (10 <sup>-9</sup> )	<b>W</b>	watt(s)
<b>freq</b>	frequency	<b>na</b>	not applicable	<b>ww</b>	wire wound
<b>FSN</b>	federal stock number	<b>NC</b>	normally closed	<b>xfmr</b>	transformer
<b>g</b>	gram	<b>(-) or neg</b>	negative	<b>xstr</b>	transistor
<b>G</b>	giga (10 <sup>9</sup> )	<b>NO</b>	normally open	<b>xtal</b>	crystal
<b>gd</b>	guard	<b>ns</b>	nanosecond	<b>xtlo</b>	crystal oscillator
<b>Ge</b>	germanium	<b>opni ampli</b>	operational amplifier	<b>Ω</b>	ohm(s)
<b>GHz</b>	gigahertz	<b>p</b>	pico (10 <sup>-12</sup> )	<b>μ</b>	micro (10 <sup>-6</sup> )
<b>gmV</b>	guaranteed minimum value	<b>para</b>	paragraph		
<b>gnd</b>	ground	<b>pcb</b>	printed circuit board		
<b>H</b>	henry	<b>pF</b>	picofarad		
<b>hd</b>	heavy duty	<b>pn</b>	part number		

## Section 8

# Schematic Diagrams

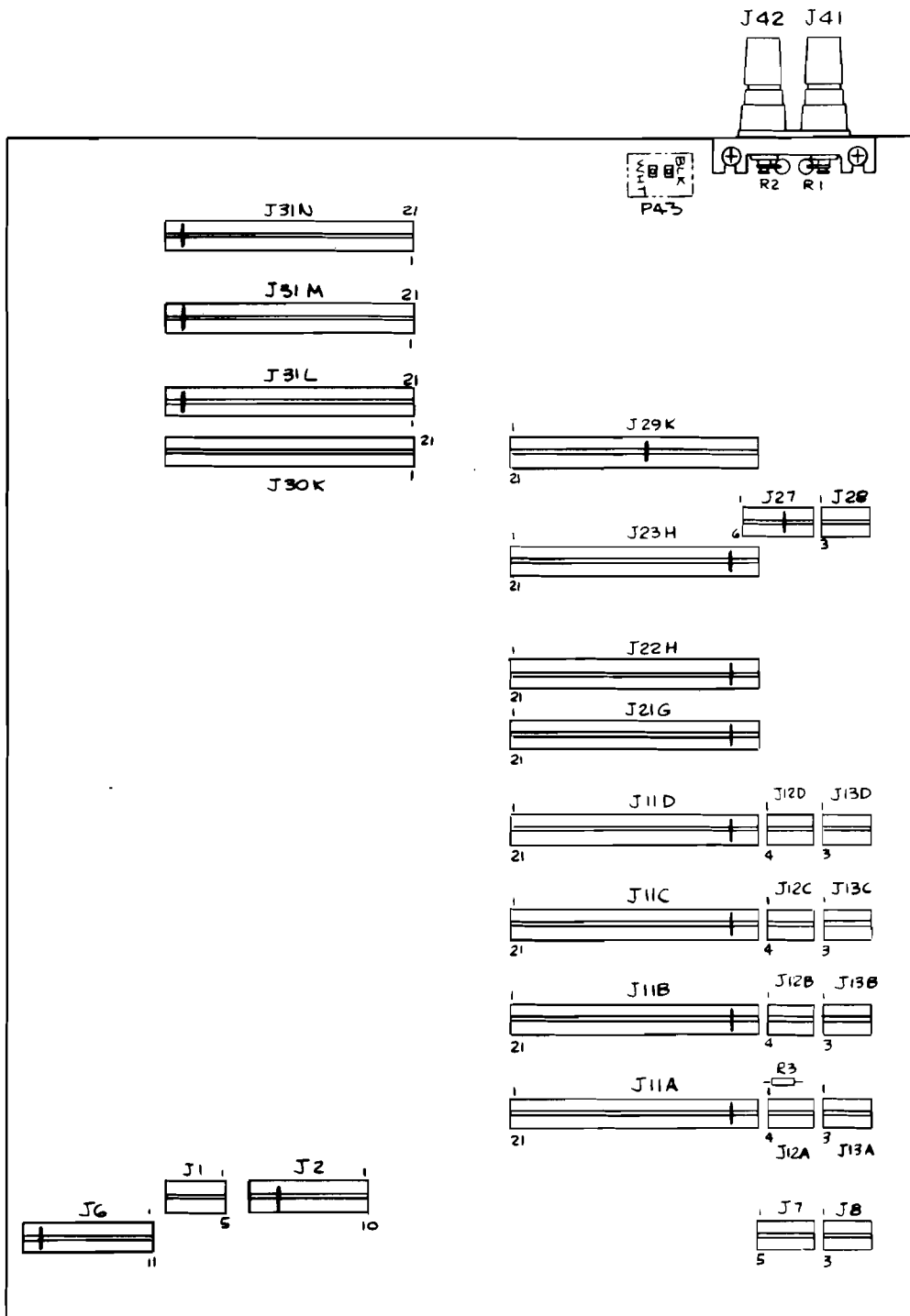
### TABLE OF CONTENTS

FIGURE NO.	NAME	DRAWING NO.	PAGE
—	List of Mnemonics . . . . .	—	8-3
8-1	A2 Motherboard PCB Assembly . . . . .	8502A-1001	8-4
8-2	Interconnect Diagram Mother Assembly . . . . .	8502A-1301	8-6
8-3	A3 Bus Interconnect . . . . .	MIS-1081	8-9
8-4	A4 Power Supply PCB Assembly - Type 51 . . . . .	8500A-1051	8-10
8-5	A4 Power Supply PCB Assembly - Type 41 . . . . .	8500A-1041	8-12
8-6	A5 Power Supply Interconnect . . . . .	8500A-1332	8-15
8-7	A6 Controller PCB Assembly (Single PCB Version) . . . . .	8502A-1186	8-16
8-8	A6A1 Controller PCB Assembly (Double PCB Version) . . . . .	8502A-1185	8-20
8-9	A6A2 PROM ROM PCB Assembly (Double PCB Version) . . . . .	8502A-1088	8-24
8-10	A7 Front Panel Display PCB Assembly . . . . .	8502A-1023	8-26
8-11	A8 DC Signal Conditioner PCB Assembly . . . . .	MIS-1100	8-30
8-12	A9 Active Filter PCB Assembly . . . . .	MIS-1130	8-32
8-13	A10A1 A/D Analog PCB Assembly . . . . .	MIS-1140	8-34
8-14	A10A2 Fast RR A/D Converter Digital PCB Assembly . . . . .	MIS-1141	8-36



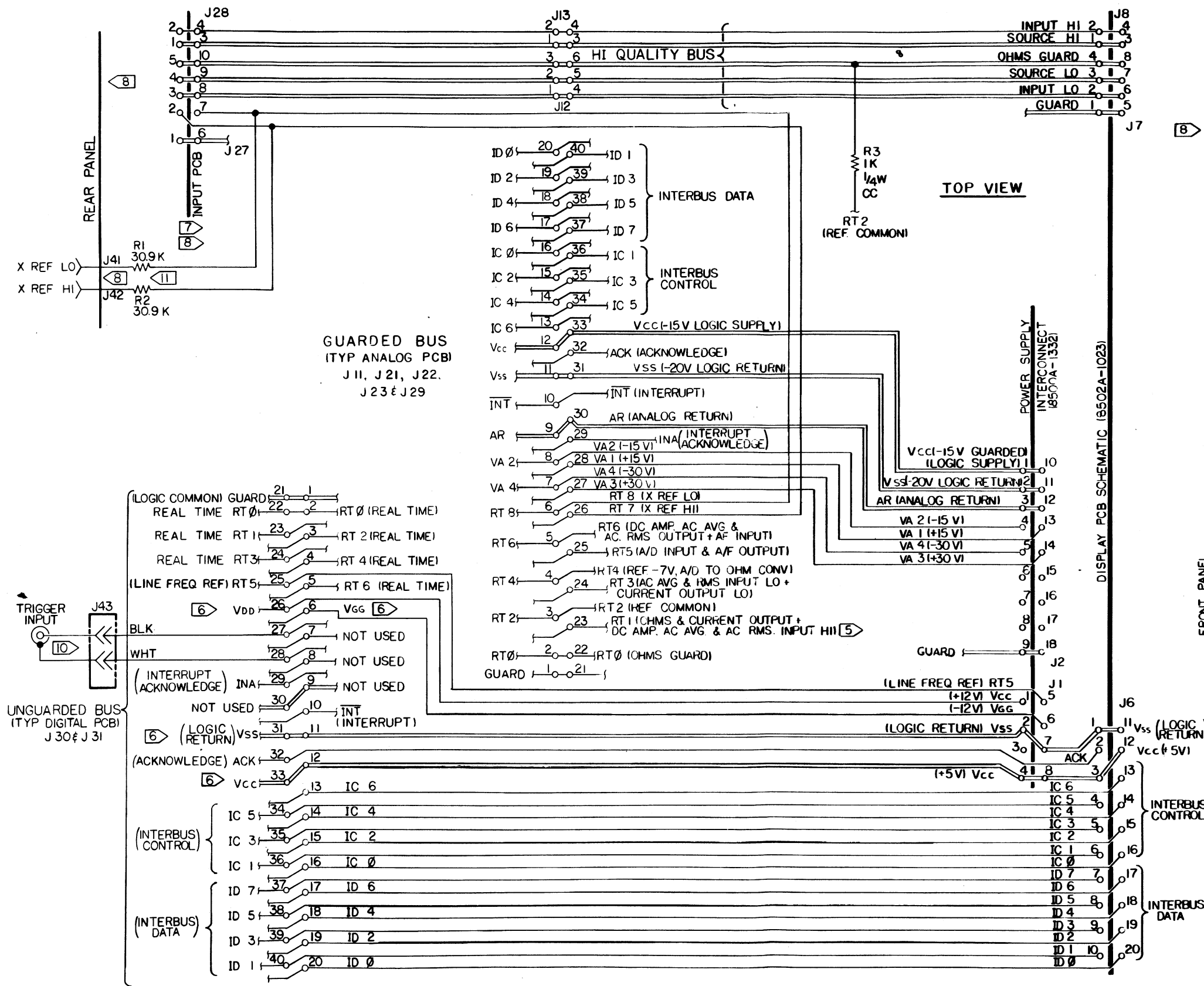
## List of Mnemonics

ACK	– acknowledge
ACK LAT	– acknowledge late
AR	– analog return
DB	– data bus
DBIN	– data bus input signal (from $\mu\text{P}$ )
DLD ACK	– delayed ACK
EN INT	– enable interrupt
HLDA	– hold acknowledge
IB ADX	– interbus address
IBIN	– interbus input signal
IC	– interbus control
ID	– interbus data
IINT	– internal interrupt
INA	– interrupt acknowledge (from controller)
INT	– interrupt
INTA	– Interrupt acknowledge (status word from $\mu\text{P}$ )
INTE	– interrupt enable (from $\mu\text{P}$ )
MEM RD	– memory read
MS ADDR BYTE	– memory select address byte
$\phi 1$	– clock pulse
$\phi 2$	– clock pulse
$\phi\text{LL}$	– phase-locked loop
RAM	– random access memory
ROM	– read only memory
RRDY	– reset ready
RST	– reset
RT	– real time
R/W	– read/write
$\mu\text{P}$	– microprocessor
VA	– analog supply voltage
$V_{\text{CC}} \phi 2$	– 5V clock pulse
$V_{\text{DD}} \phi 2$	– 12V clock pulse
SRDY	– set ready
SYN IINT	– synchronized internal interrupt
TTL PU	– TTL pull-up
WO	– write out
WR	– write



8502A-1601

Figure 8-1. A2 Motherboard PCB Assembly



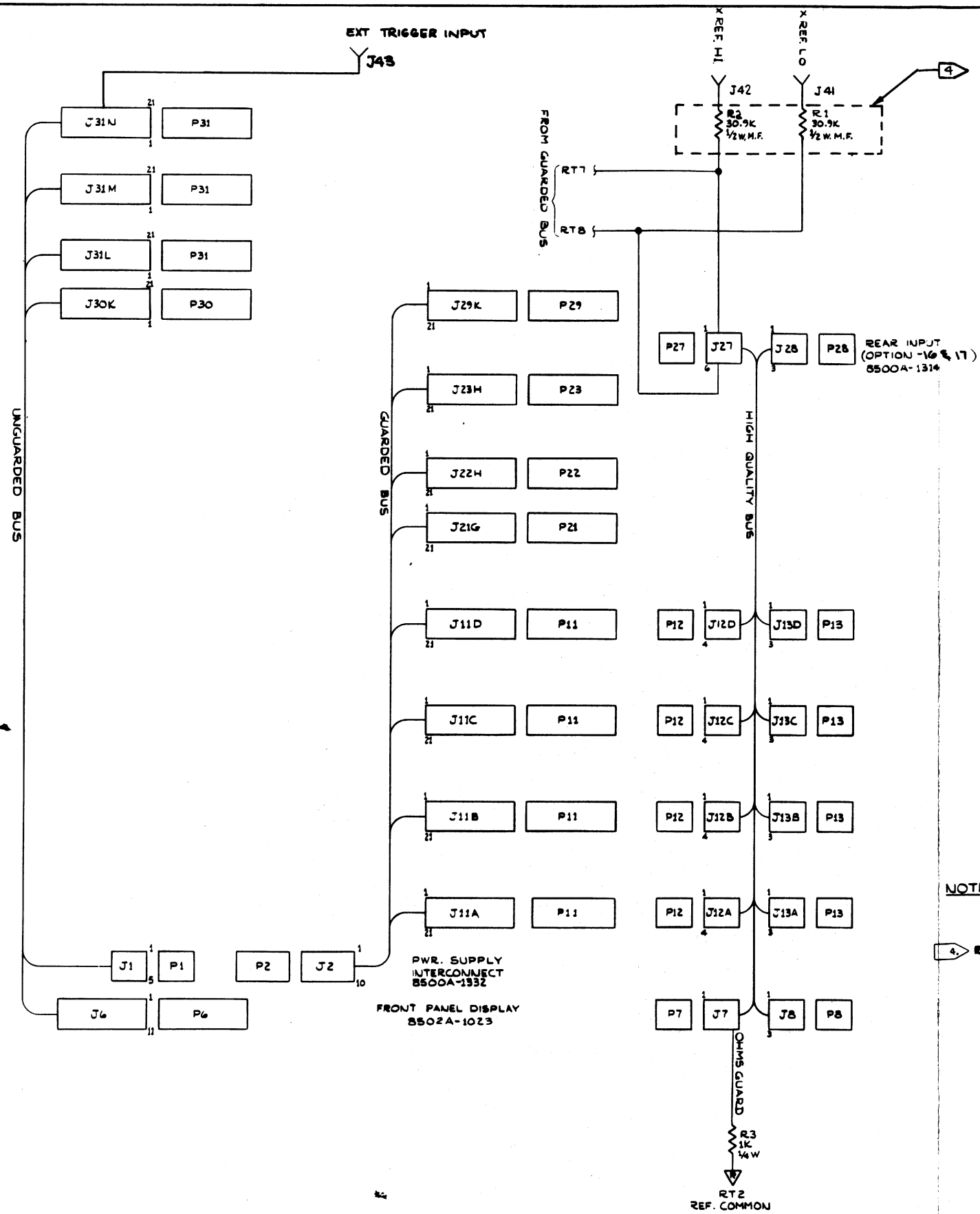
NOTES:

- ⑤ THIS BUS LINE IS INTERCONNECTED ON J21, J22, J23 & J29 BUT HAS NO USE ON 8502A APPLICATIONS IN THESE LOCATIONS. FUNCTION INDICATED IS FOR J11 ONLY. NO INTERCONNECT EXISTS BETWEEN J11, PIN 23 & OTHER CONNECTORS ON GUARDED BUS
- ⑥ FUNCTION WILL VARY DEPENDING UPON BUS INTERCONNECTION INSTALLED IN UNIT.

FUNCTION	ISOLATOR (OPTION-01)	BUS INTERCONNECT (MIS-1081)
Vss	0	-20V
VDD	+12V	-8V
VGG	-12V	-32V
Vcc	+5V	-15V

- ⑦ CONNECTION FOR PARALLEL REAR INPUT-017 SEE 8500A-1314.
- ⑧ CONNECTION FOR SWITCHED FRONT/REAR INPUT-016 SEE 8502A-1011
- ⑨ CONNECTION FOR FRONT PANEL INPUT SEE 8502A-16.
- ⑩ USED ON-081 ONLY.
- ⑪ RESISTORS R1 & R2 REMOVED ON -16 OPTION.

Figure 8-1. A2 Motherboard PCB Assembly (cont)



MODULE INSTALLATION LOCATIONS			
MODULE DESCRIPTION	SCHEMATIC DWG. NO.	PREFERRED SLOT	PERMISSIBLE SLOTS
D.C. SIGNAL COND. (OPTION -01)	M.I.S.-1100	A	A B C D
AC. CONV. (OPTION -01)	M.I.S.-1101	B	A B C D
R.M.S. CONV. (OPTION -09)	M.I.S.-1102	B	A B C D
CURRENT SHUNT (OPTION -03)	M.I.S.-1104	C	A B C D
OHMS CONV. (OPTION -02)	M.I.S.-1110	D	A B C D
FILTER	M.I.S.-1130	G	G
A/D CONV.	M.I.S.-1140 M.I.S.-1141	H	H
BUS INTERCONNECT	M.I.S.-1081	K	K
ISOLATOR (OPTION -08)	8502A-1181	K	K
CONTROLLER	8502A-1185	N (NOT INSTALLED)	L M N
CALIBRATION MEMORY (OPTION -04)	M.I.S.-1160	M	L M N
BIT SERIAL (OPTION -06)	M.I.S.-1170	N	L M K
PARALLEL INTERFACE (OPTION -07)	M.I.S.-1171	N	L M N
IEEE INTERFACE (OPTION -05)	M.I.S.-1072 M.I.S.-1172	N	L M N

SERVICE / FIELD AIDS - LOCATIONS			
DESCRIPTION	SCHEMATIC DWG. NO.	PREFERRED SLOT	PERMISSIBLE SLOTS
STATIC CONTROLLER M.I.S.-7190K	M.I.S.-1190	L M N	A B C D L M N
TEST MODULE M.I.S.-7191K	M.I.S.-1191	A B C D	A B C D L M N
EXTENDER M.I.S.-7011K		NONE	ANY
BUS INTERCONNECT & MONITOR M.I.S.-7013K		K	ANY

NOTES:  
 4. REMOVE FOR -16 OPTION

Figure 8-2. Interconnect Diagram Mother Assembly

FUNCTION TABLE			FUNCTION TABLE			FUNCTION TABLE				
CONNECTOR	PIN NO.	FUNCTION	CONNECTOR	PIN NO.	FUNCTION	CONNECTOR	PIN NO.	FUNCTION		
J1 (UnGuarded Bus)	1	+12V Vdd	J11A } J11B } J11C } J11D } (Guarded Bus)	17	ID6 (Interbus Data)	J21G } J22H } J23H } J29K } (Guarded Bus)	21	Guard		
	2	Vss (Logic Return)		18	ID4 (Interbus Data)		22	RT0 (Ohms Guard)		
	3	NC		19	ID2 (Interbus Data)		23	RT1 (Ohms & Current Output HI. +DC. AMP., AC. Avg., & AC. RMS. Input HI.)		
	4	+15V Vcc		20	ID0 (Interbus Data)		24	RT3 (AC. Avg., & RMS. Input Lo + Current Output Lo.)		
	5	RT5 (Line Freq. Ref.)		21	Guard		25	RT5 (A/D Input & A/F. Output)		
	6	-12V Vgg		22	RT0 (Ohms Guard)		26	RT7 (X. Ref. HI)		
	7	Vss (Logic Return)		23	RT1 (Ohms & Current Output HI. +DC. AMP., AC. Avg., & AC. RMS. Input HI.)		27	+30V VA3		
	8	+5V Vcc		24	RT3 (AC. Avg., & RMS. Input Lo + Current Output Lo.)		28	+15V VA1		
J2 (Guarded Bus)	1	-15V Vcc (Logic Supply)	J12A } J12B } J12C } J12D } (High Quality Bus)	1	Input Lo	J30K } J31N } J31M } J31L } (UnGuarded Bus)	1	Guard (Logic Common)		
	2	-20V Vss (Logic Return)		2	Source Lo		2	RT0 (Real Time 0)		
	3	AR (Analog Return)		3	Ohms Guard		3	RT2 (Real Time 2)		
	4	-15V VA2		4	Input Lo		4	RT4 (Real Time 4)		
	5	-30V VA4		5	Source Lo		5	RT6 (Real Time 6)		
	6	NC		6	Ohms Guard		6	Vgg <span style="border: 1px solid black; padding: 0 2px;">12</span>		
	7	NC		J13A } J13B } J13C } J13D } (High Quality Bus)	1		Source HI	7	NC	
	8	NC			2		Input HI	8	NC	
	9	Guard		J27 (High Quality Bus)	3		Source HI	9	NC	
	10	-15V Vcc (Logic Supply)			4		Input HI	10	$\overline{INT}$ (Interrupt not)	
	11	-20V Vss (Logic Return)		J28 (High Quality Bus)	1		Guard	11	Vss (Logic Return) <span style="border: 1px solid black; padding: 0 2px;">12</span>	
	12	AR (Analog Return)			2		X Ref. HI	12	Vcc <span style="border: 1px solid black; padding: 0 2px;">12</span>	
	13	+15V VA1			J21G } J22H } J23H } J29K } (Guarded Bus)		3	Input Lo	13	IC6 (Interbus Control)
	14	+30V VA3					4	Source Lo	14	IC4 (Interbus Control)
	15	NC					5	Ohms Guard	15	IC2 (Interbus Control)
	16	NC					6	Guard	16	IC0 (Interbus Control)
	17	NC					7	X Ref. Lo	17	ID6 (Interbus Data)
	18	Guard					8	Guard	18	ID4 (Interbus Data)
J6 (unGuarded Bus)	1	Vss (Logic Return)	9			Input Lo	19	ID2 (Interbus Data)		
	2	ACK (Acknowledge)	10			Source Lo	20	ID0 (Interbus Data)		
	3	+5V Vcc	J21G } J22H } J23H } J29K } (Guarded Bus)	1		Guard	21	Guard (Logic Common)		
	4	IC5 (Interbus Control)		2		RT0 (Ohms Guard)	22	RT0 (Real Time 0)		
	5	IC3 (Interbus Control)		3	RT2 (Ref. Common)	23	RT1 (Real Time 1)			
	6	IC1 (Interbus Control)		4	RT4 (Ref. -7V. A/D to Ohm's Conv.)	24	RT3 (Real Time 3)			
	7	ID7 (Interbus Data)		5	RT6 (DC. AMP., AC. Avg., & AC. RMS. Output. +A/F. Input)	25	RT5 (Line Freq. Ref.)			
	8	ID5 (Interbus Data)		6	RT8 (X. Ref. Lo.)	26	Vdd <span style="border: 1px solid black; padding: 0 2px;">12</span>			
	9	ID3 (Interbus Data)		7	-30V VA4	27	NC TRIGGER INPUT HI			
	10	ID1 (Interbus Data)		8	-15V VA2	28	NC TRIGGER INPUT LO			
	11	Vss (Logic Return)		9	AR (Analog Return)	29	INA (Interrupt Acknowledge)			
	12	+5V Vcc		10	$\overline{INT}$ (Interrupt not)	30	NC			
13	IC6 (Interbus Control)	11	-20V Vss (Logic Return)	31	Vss (Logic Return) <span style="border: 1px solid black; padding: 0 2px;">12</span>					
14	IC4 (Interbus Control)	12	-15V Vcc (Logic Supply)	32	ACK (Acknowledge)					
15	IC2 (Interbus Control)	13	IC6 (Interbus Control)	33	Vcc <span style="border: 1px solid black; padding: 0 2px;">12</span>					
16	IC0 (Interbus Control)	14	IC4 (Interbus Control)	34	IC5 (Interbus Control)					
17	ID6 (Interbus Data)	15	IC2 (Interbus Control)	35	IC3 (Interbus Control)					
18	ID4 (Interbus Data)	16	IC0 (Interbus Control)	36	IC1 (Interbus Control)					
19	ID2 (Interbus Data)	17	ID6 (Interbus Data)	37	ID7 (Interbus Data)					
20	ID0 (Interbus Data)	18	ID4 (Interbus Data)	38	ID5 (Interbus Data)					
J7 (High Quality Bus)	1	Guard	19	ID2 (Interbus Data)	39	ID3 (Interbus Data)				
	2	Input Lo	20	ID0 (Interbus Data)	40	ID1 (Interbus Data)				
	3	Source Lo	J11A } J11B } J11C } J11D } (Guarded Bus)	1	Guard	J21G } J22H } J23H } J29K } (Guarded Bus)	21	Guard		
	4	Ohm's Guard		2	RT0 (Ohm's Guard)		22	RT0 (Ohms Guard)		
	5	Guard		3	RT2 (Ref. Common)		23	RT1 (Ohms & Current Output HI. +DC. AMP., AC. Avg., & AC. RMS. Input HI.)		
	6	Input Lo		4	RT4 (Ref. -7V. A/D to Ohm's Conv.)		24	RT3 (AC. Avg., & RMS. Input Lo + Current Output Lo.)		
	7	Source Lo		5	RT6 (DC. AMP., AC. Avg., & AC. RMS. Output. +A/F. Input)		25	RT5 (A/D Input & A/F. Output)		
	8	Ohm's Guard		6	RT8 (X. Ref. Lo.)		26	RT7 (X. Ref. HI)		
J8 (High Quality Bus)	1	Source HI		7	-30V VA4		27	+30V VA3		
	2	Input HI		8	-15V VA2		28	+15V VA1		
	3	Source HI	9	AR (Analog Return)	29	INA (Interrupt Acknowledge)				
	4	Input HI	10	$\overline{INT}$ (Interrupt not)	30	AR (Analog Return)				
	J11A } J11B } J11C } J11D } (Guarded Bus)	1	Guard	11	-20V Vss (Logic Return)	31	-20V Vss (Logic Return)			
		2	RT0 (Ohm's Guard)	12	-15V Vcc (Logic Supply)	32	ACK (Acknowledge)			
		3	RT2 (Ref. Common)	13	IC6 (Interbus Control)	33	-15V Vcc (Logic Supply)			
		4	RT4 (Ref. -7V. A/D to Ohm's Conv.)	14	IC4 (Interbus Control)	34	IC5 (Interbus Control)			
5		RT6 (DC. AMP., AC. Avg., & AC. RMS. Output. +A/F. Input)	15	IC2 (Interbus Control)	35	IC3 (Interbus Control)				
6		RT8 (X. Ref. Lo.)	16	IC0 (Interbus Control)	36	IC1 (Interbus Control)				
7		-30V VA4	17	ID6 (Interbus Data)	37	ID7 (Interbus Data)				
8		-15V VA2	18	ID4 (Interbus Data)	38	ID5 (Interbus Data)				
9	AR (Analog Return)	19	ID2 (Interbus Data)	39	ID3 (Interbus Data)					
10	$\overline{INT}$ (Interrupt not)	20	ID0 (Interbus Data)	40	ID1 (Interbus Data)					
11	-20V Vss (Logic Return)	J12A } J12B } J12C } J12D } (High Quality Bus)	1	Input Lo	J30K } J31N } J31M } J31L } (UnGuarded Bus)	1	Guard (Logic Common)			
12	-15V Vcc (Logic Supply)		2	Source Lo		2	RT0 (Real Time 0)			
13	IC6 (Interbus Control)		3	Ohms Guard		3	RT2 (Real Time 2)			
14	IC4 (Interbus Control)		4	Input Lo		4	RT4 (Real Time 4)			
15	IC2 (Interbus Control)		5	Source Lo		5	RT6 (Real Time 6)			
16	IC0 (Interbus Control)		6	Ohms Guard		6	Vgg <span style="border: 1px solid black; padding: 0 2px;">12</span>			
17	ID6 (Interbus Data)		J13A } J13B } J13C } J13D } (High Quality Bus)	1		Source HI	7	NC		
18	ID4 (Interbus Data)			2		Input HI	8	NC		
19	ID2 (Interbus Data)	J27 (High Quality Bus)	3	Source HI	9	NC				
20	ID0 (Interbus Data)		4	Input HI	10	$\overline{INT}$ (Interrupt not)				
J6 (unGuarded Bus)	1	Vss (Logic Return)	J28 (High Quality Bus)	1	Guard	J21G } J22H } J23H } J29K } (Guarded Bus)	21	Guard (Logic Common)		
	2	ACK (Acknowledge)		2	X Ref. HI		22	RT0 (Real Time 0)		
	3	+5V Vcc		3	Input Lo		23	RT1 (Real Time 1)		
	4	IC5 (Interbus Control)		4	Source Lo		24	RT3 (Real Time 3)		
	5	IC3 (Interbus Control)		5	Ohms Guard		25	RT5 (Line Freq. Ref.)		
	6	IC1 (Interbus Control)		6	Guard		26	Vdd <span style="border: 1px solid black; padding: 0 2px;">12</span>		
	7	ID7 (Interbus Data)		7	X Ref. Lo		27	NC TRIGGER INPUT HI		
	8	ID5 (Interbus Data)		8	Input Lo		28	NC TRIGGER INPUT LO		
	9	ID3 (Interbus Data)		9	Source Lo		29	INA (Interrupt Acknowledge)		
	10	ID1 (Interbus Data)		10	Ohms Guard		30	NC		
	11	Vss (Logic Return)		J21G } J22H } J23H } J29K } (Guarded Bus)	1		Guard	31	Vss (Logic Return) <span style="border: 1px solid black; padding: 0 2px;">12</span>	
	12	+5V Vcc			2		RT0 (Ohms Guard)	32	ACK (Acknowledge)	
13	IC6 (Interbus Control)	3	RT2 (Ref. Common)		33	Vcc <span style="border: 1px solid black; padding: 0 2px;">12</span>				
14	IC4 (Interbus Control)	4	RT4 (Ref. -7V. A/D to Ohm's Conv.)		34	IC5 (Interbus Control)				
15	IC2 (Interbus Control)	5	RT6 (DC. AMP., AC. Avg., & AC. RMS. Output. +A/F. Input)		35	IC3 (Interbus Control)				
16	IC0 (Interbus Control)	6	RT8 (X. Ref. Lo.)		36	IC1 (Interbus Control)				
17	ID6 (Interbus Data)	7	-30V VA4		37	ID7 (Interbus Data)				
18	ID4 (Interbus Data)	8	-15V VA2		38	ID5 (Interbus Data)				
19	ID2 (Interbus Data)	9	AR (Analog Return)		39	ID3 (Interbus Data)				
20	ID0 (Interbus Data)	10	$\overline{INT}$ (Interrupt not)		40	ID1 (Interbus Data)				

Notes:

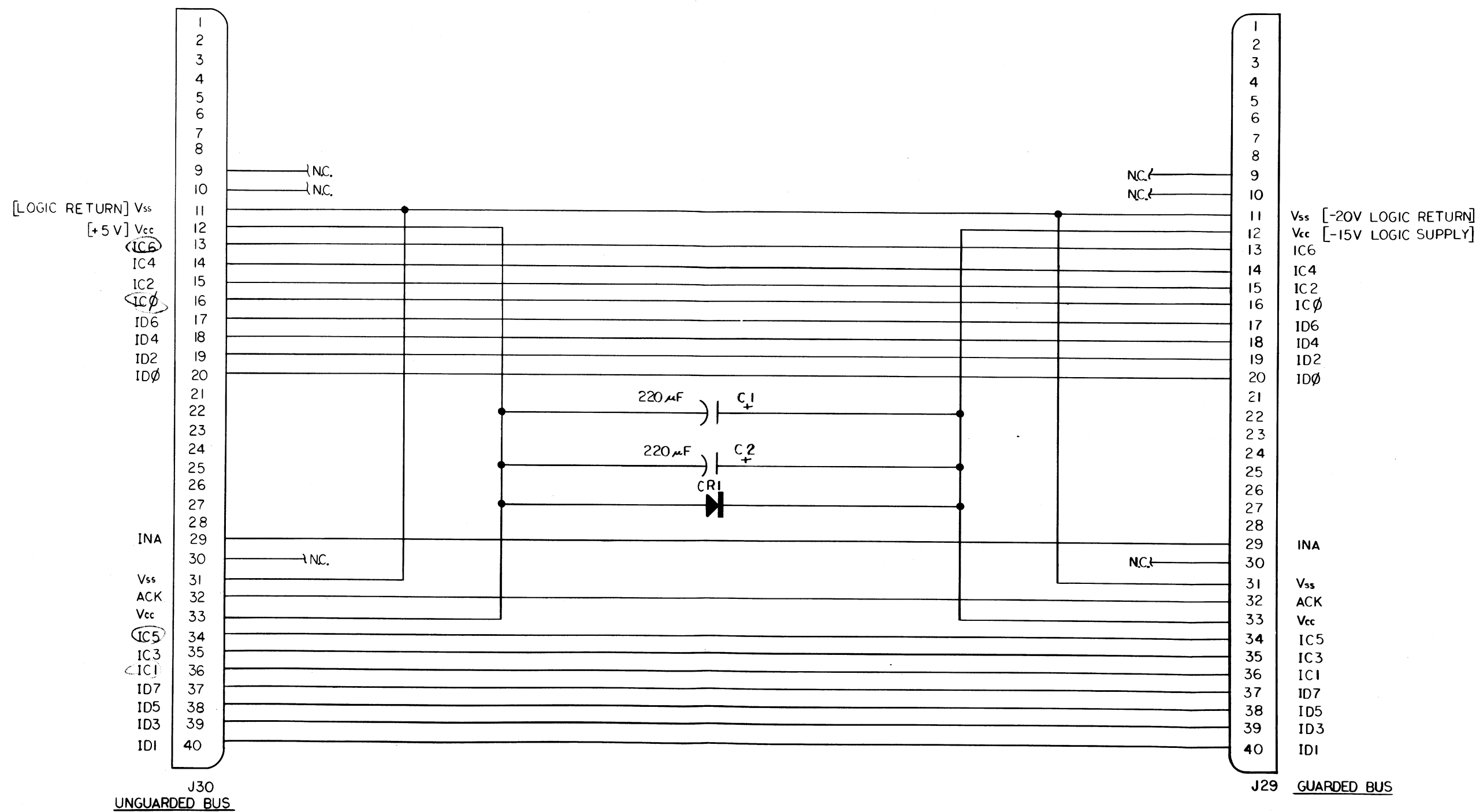
- 11 This Bus line is not used for 8500A applications, but it is interconnected on J21G, J22H, J23H, & J29K. No connection is made with J11 Pin 23.
- 12 Functions will vary depending upon type of Bus Interconnection installed in unit.

Function	Isolator (option-08)	Bus Interconnect (MIS-1081)
Vss	0	-20V
Vdd	+12V	-8V
Vgg	-12V	-32V
Vcc	+5V	-15V

Figure 8-2. Interconnect Diagram  
Mother Assembly (cont)

**THIS  
PAGE  
LEFT  
BLANK**

**SCANS  
By  
Artek Media**



MIS-1081

Figure 8-3. Bus Interconnect

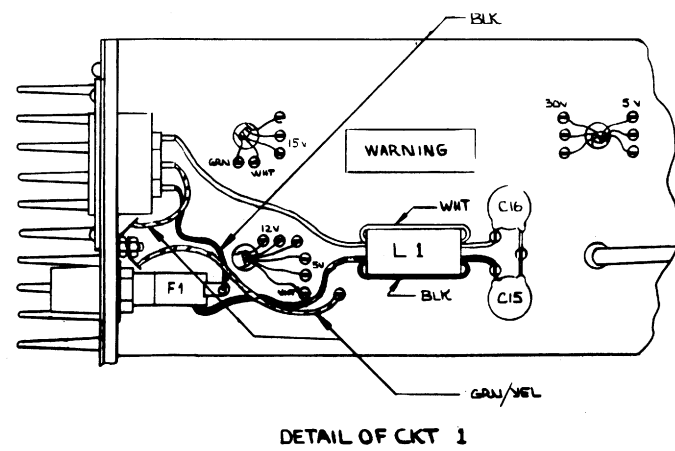
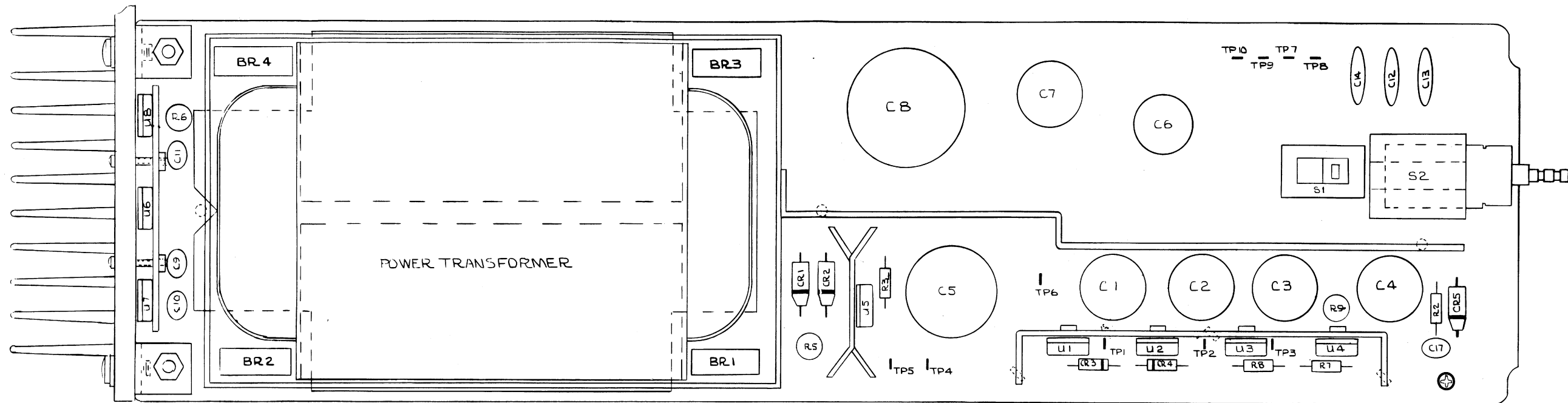
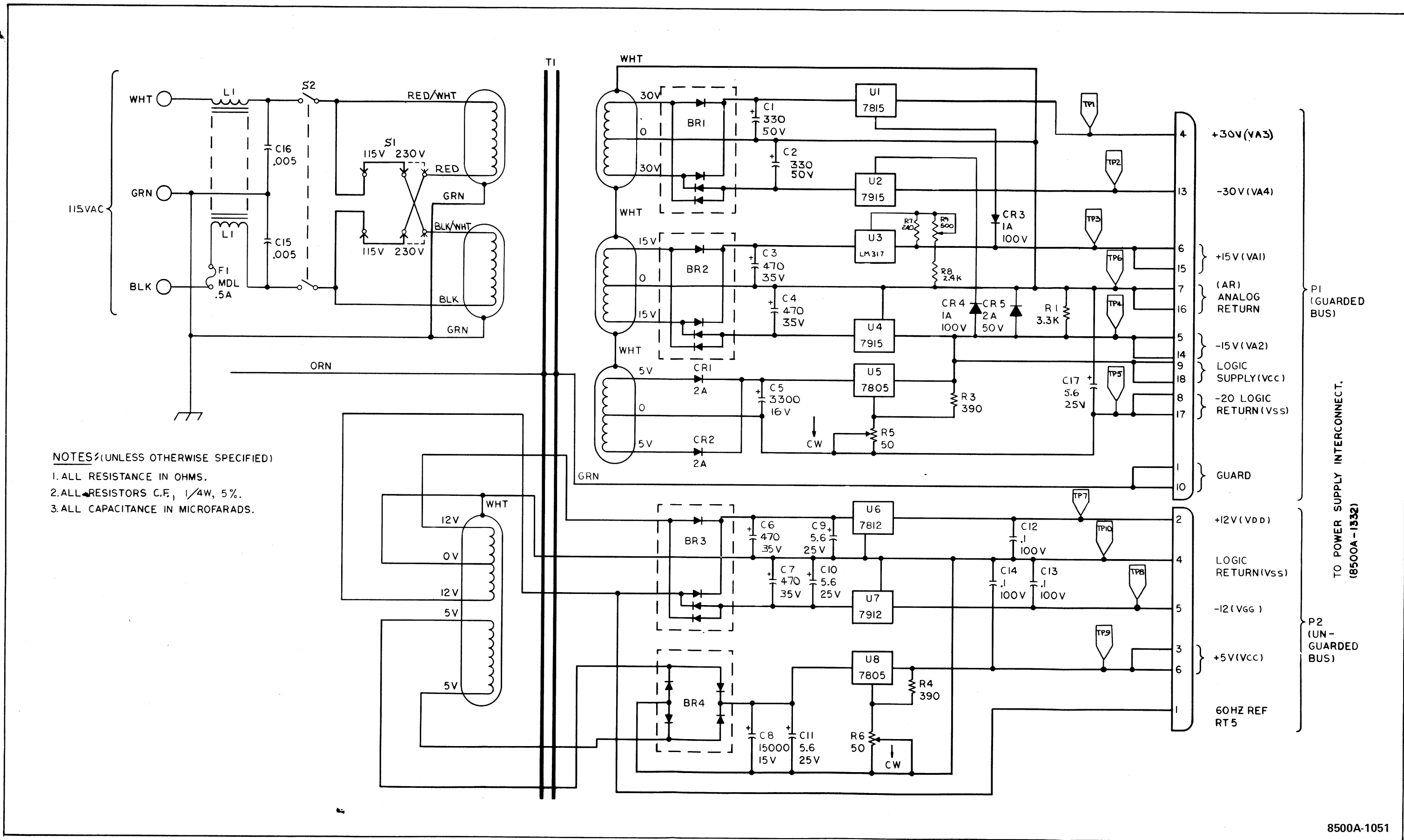


Figure 8-4. A4 Power Supply PCB Assembly—  
Type 51





- NOTES (UNLESS OTHERWISE SPECIFIED)
1. ALL RESISTANCE IN OHMS.
  2. ALL RESISTORS C.F., 1/4W, 5%.
  3. ALL CAPACITANCE IN MICROFARADS.

8500A-1051

Figure 8-4. A4 Power Supply PCB Assembly – Type 51 (cont)

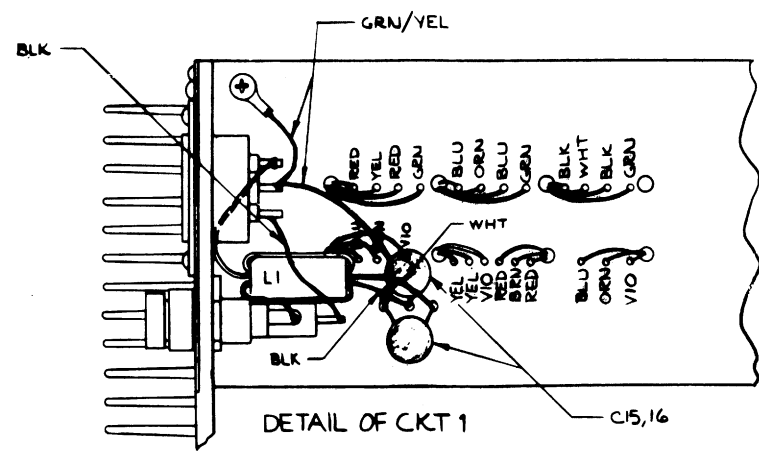
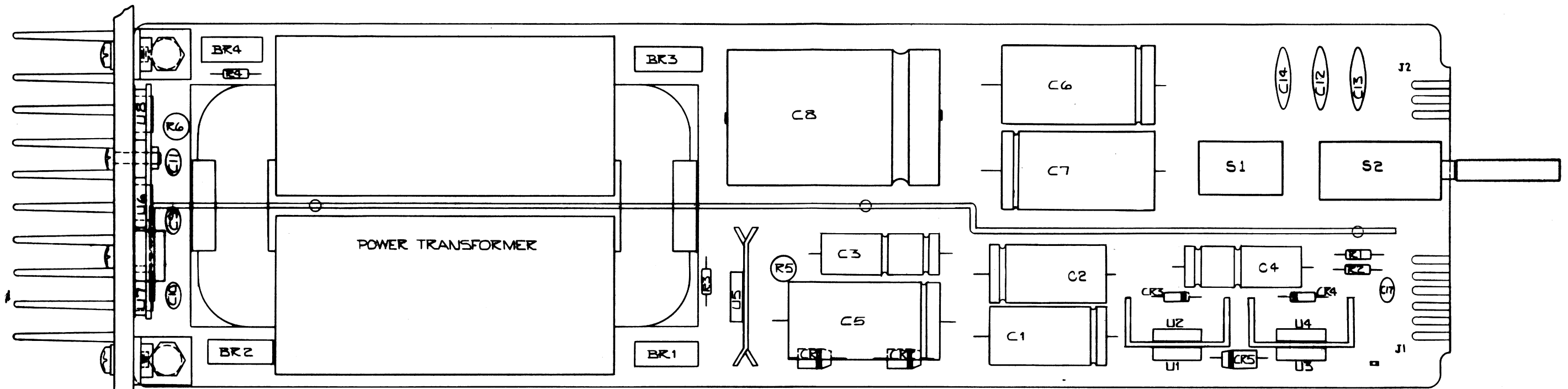
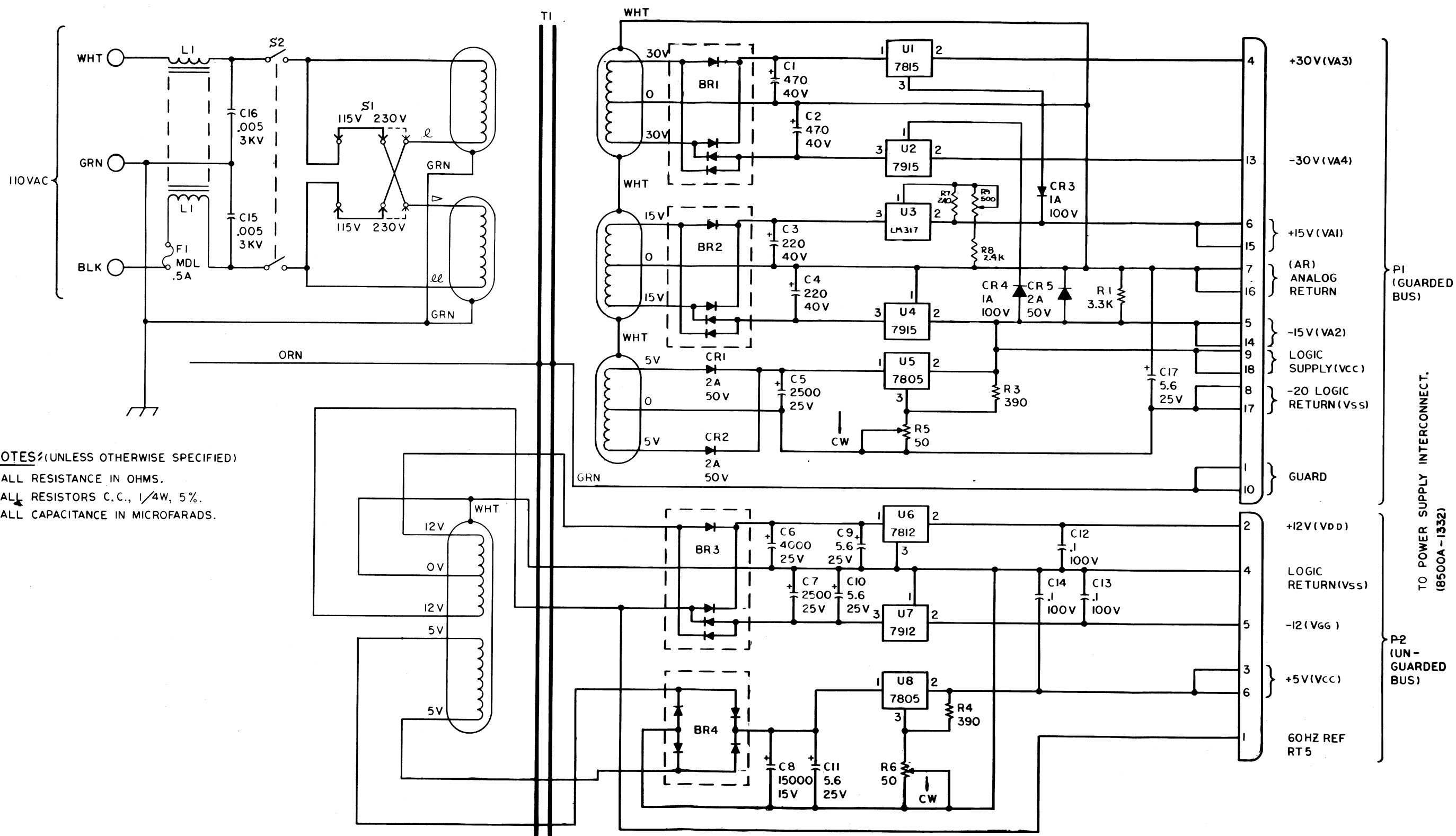


Figure 8-5. A4 Power Supply PCB Assembly—  
Type 41



8500A-1041

Figure 8-5. A4 Power Supply PCB Assembly—  
Type 41 (cont)

**THIS  
PAGE  
LEFT  
BLANK**

**SCANS  
By  
Artek Media**

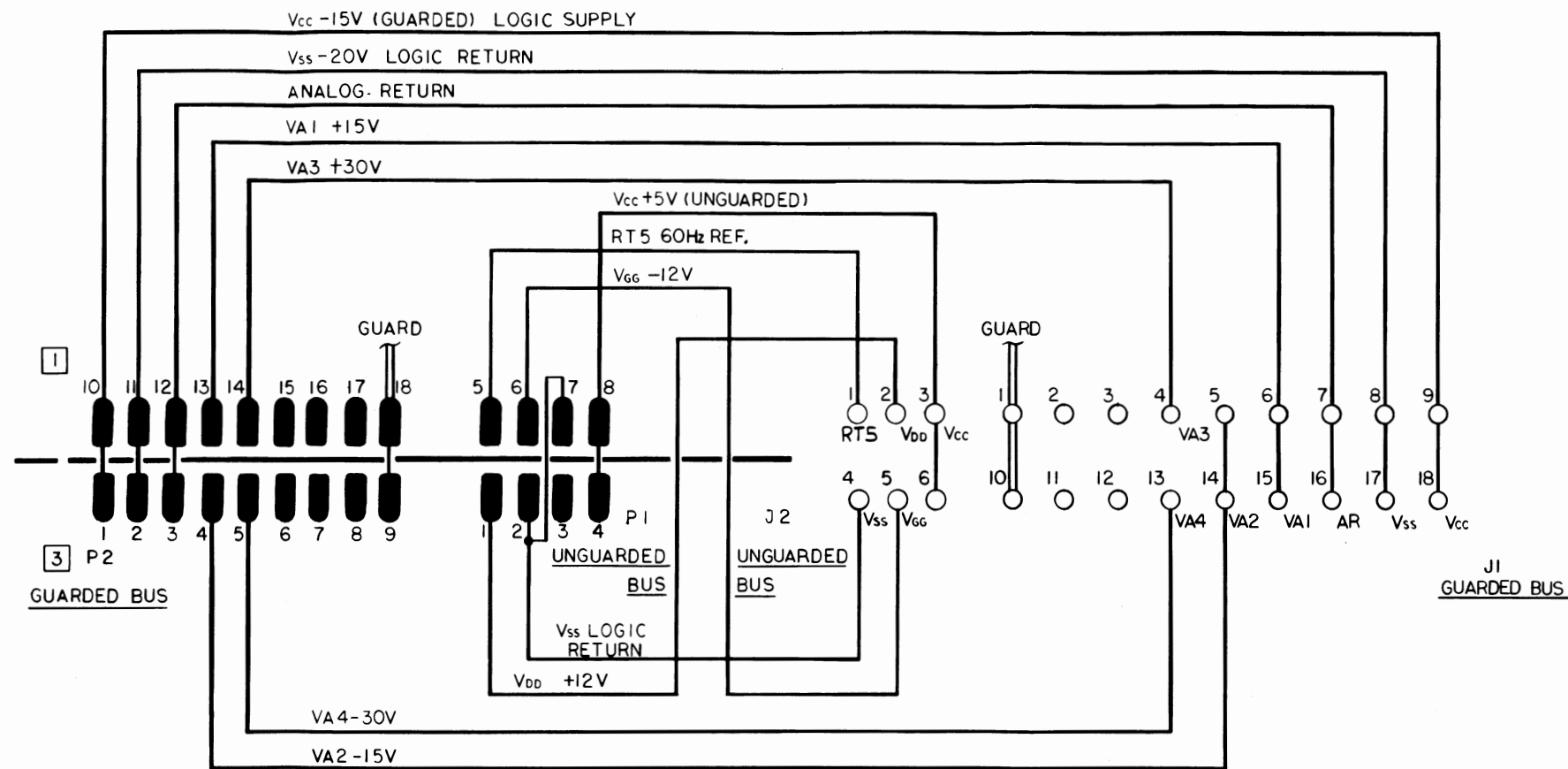


Figure 8-6. A5 Power Supply Interconnect

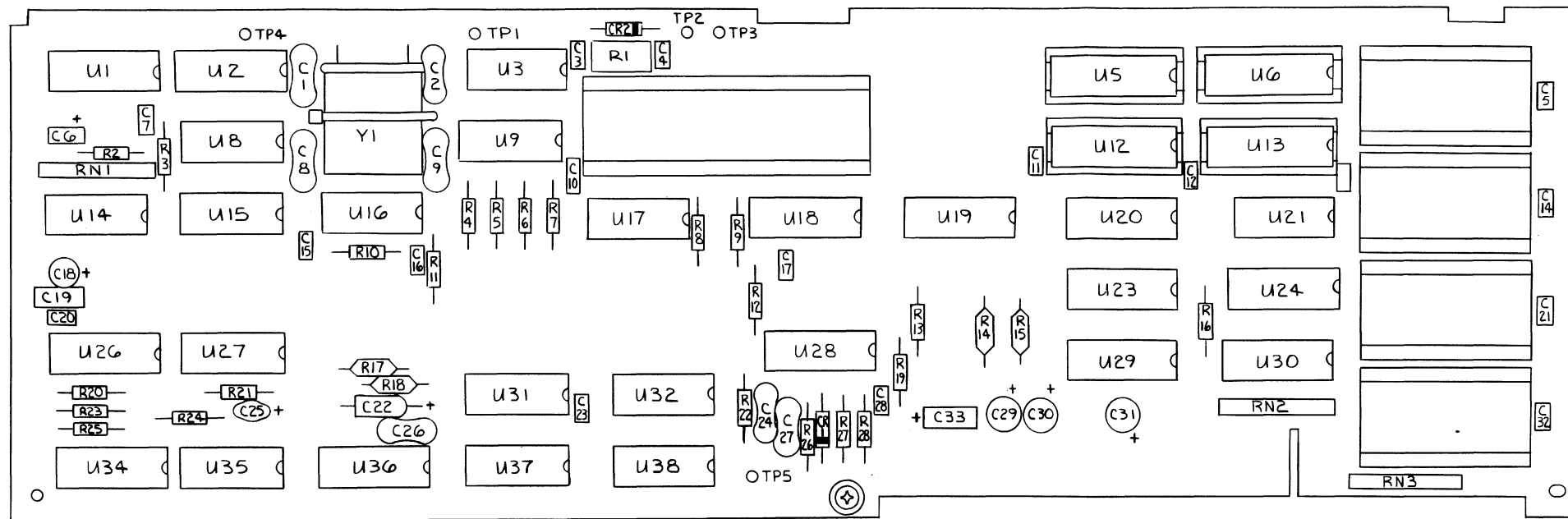
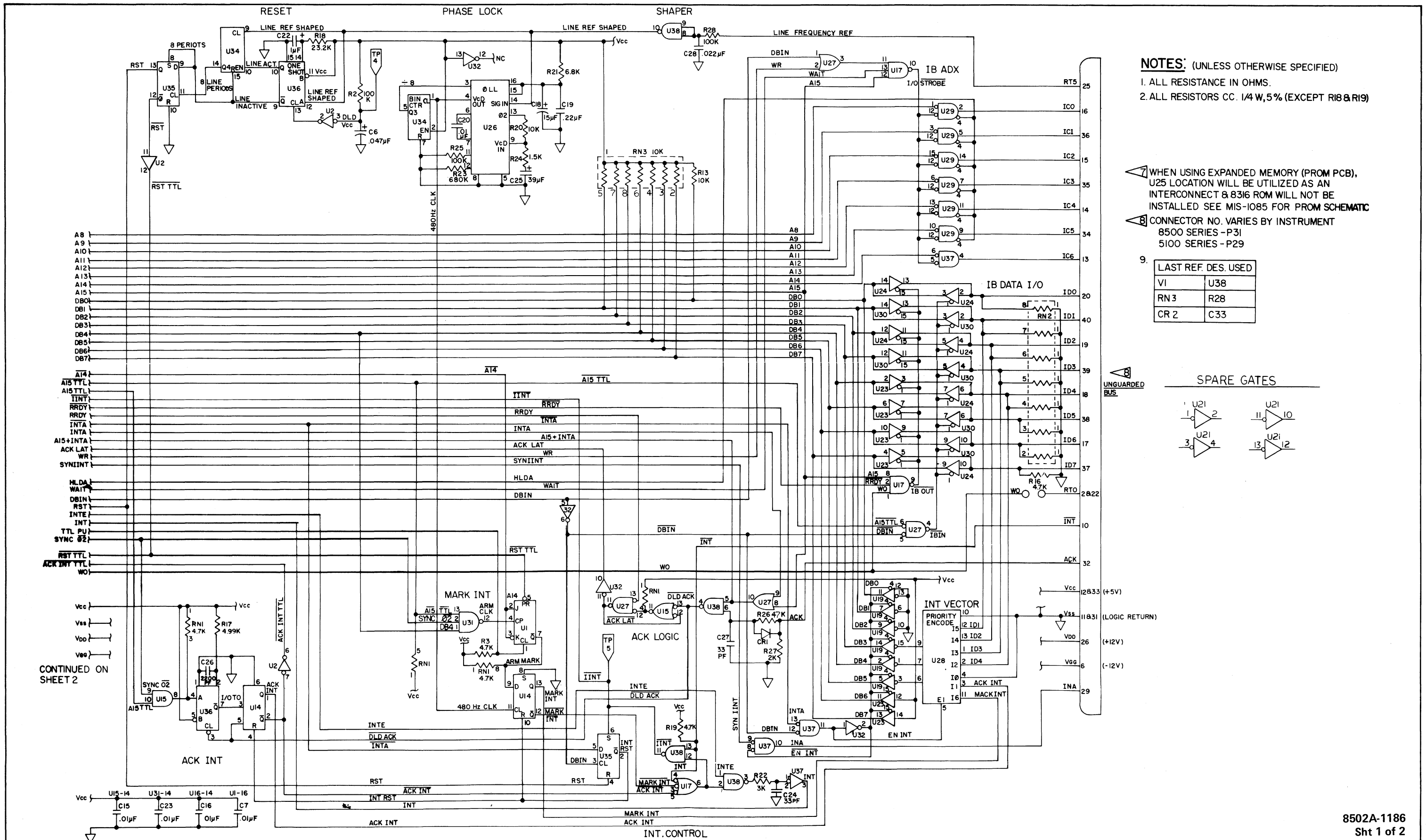


Figure 8-7. A6 Controller PCB Assembly—  
Single PCB Version

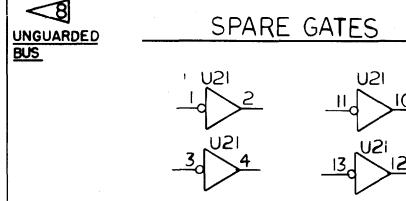


**NOTES:** (UNLESS OTHERWISE SPECIFIED)  
 1. ALL RESISTANCE IN OHMS.  
 2. ALL RESISTORS CC. 1/4 W, 5% (EXCEPT R18 & R19)

7. WHEN USING EXPANDED MEMORY (PROM PCB), U25 LOCATION WILL BE UTILIZED AS AN INTERCONNECT & 8316 ROM WILL NOT BE INSTALLED SEE MIS-1085 FOR PROM SCHEMATIC  
 8. CONNECTOR NO. VARIES BY INSTRUMENT  
 8500 SERIES - P31  
 5100 SERIES - P29

9. LAST REF. DES. USED

VI	U38
RN 3	R28
CR 2	C33



CONTINUED ON SHEET 2

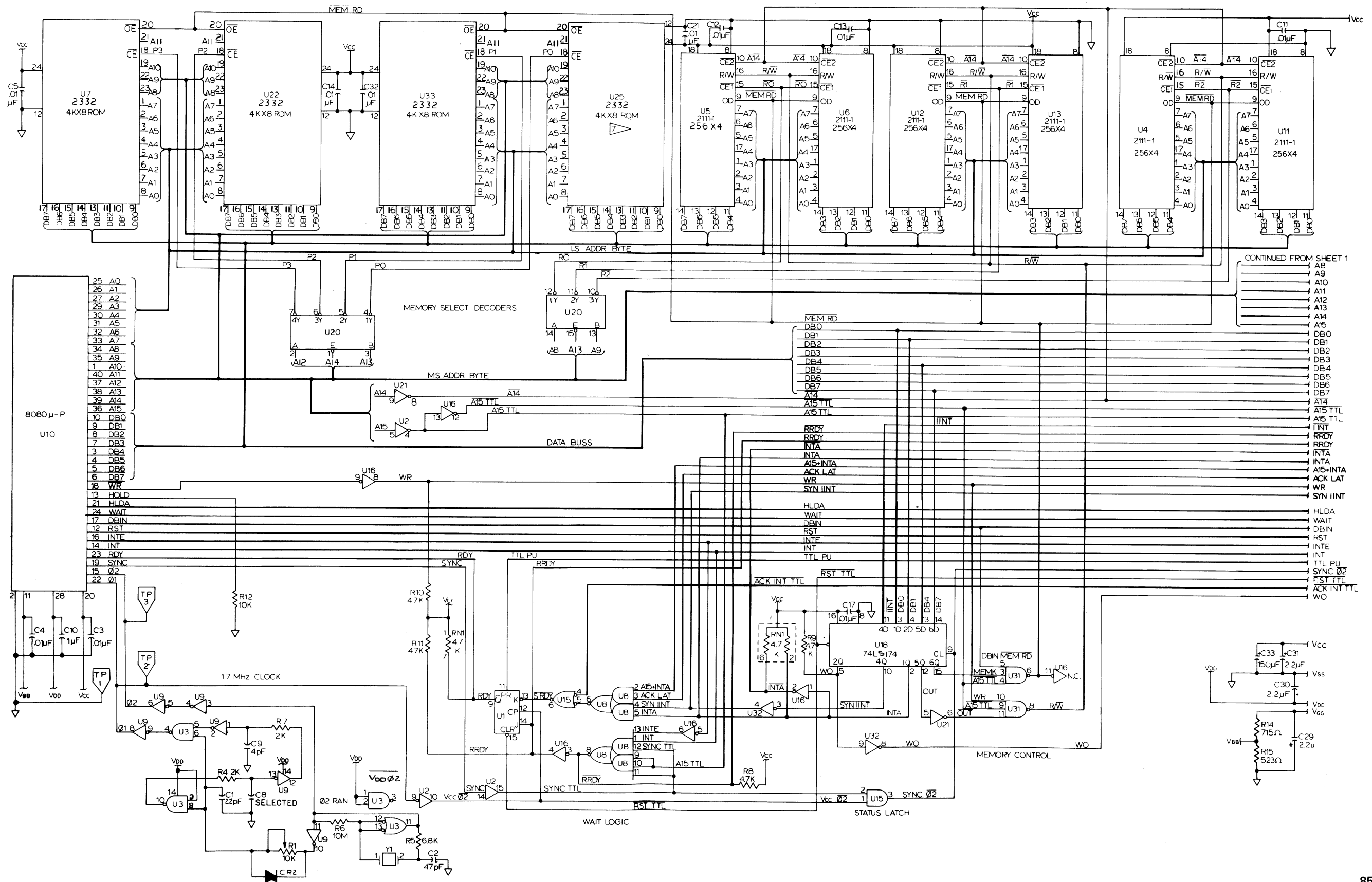
8502A-1186  
 Sht 1 of 2

Figure 8-7. A6 Controller PCB Assembly—  
 Single PCB Version (cont)

**THIS  
PAGE  
LEFT  
BLANK**

**SCANS  
By  
Artek Media**





8502A-1186  
Sht 2 of 2

Figure 8-7. A6 Controller PCB Assembly—  
Single PCB Version (cont)

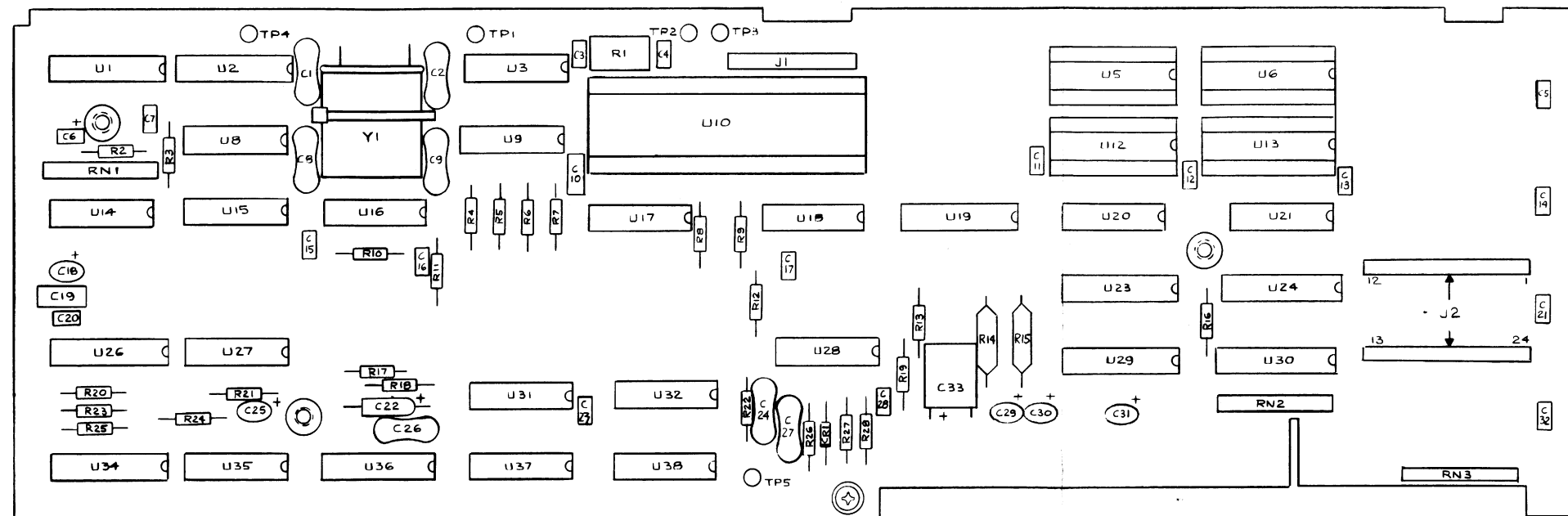


Figure 8-8. A6A1 Controller PCB Assembly—  
Double PCB Version

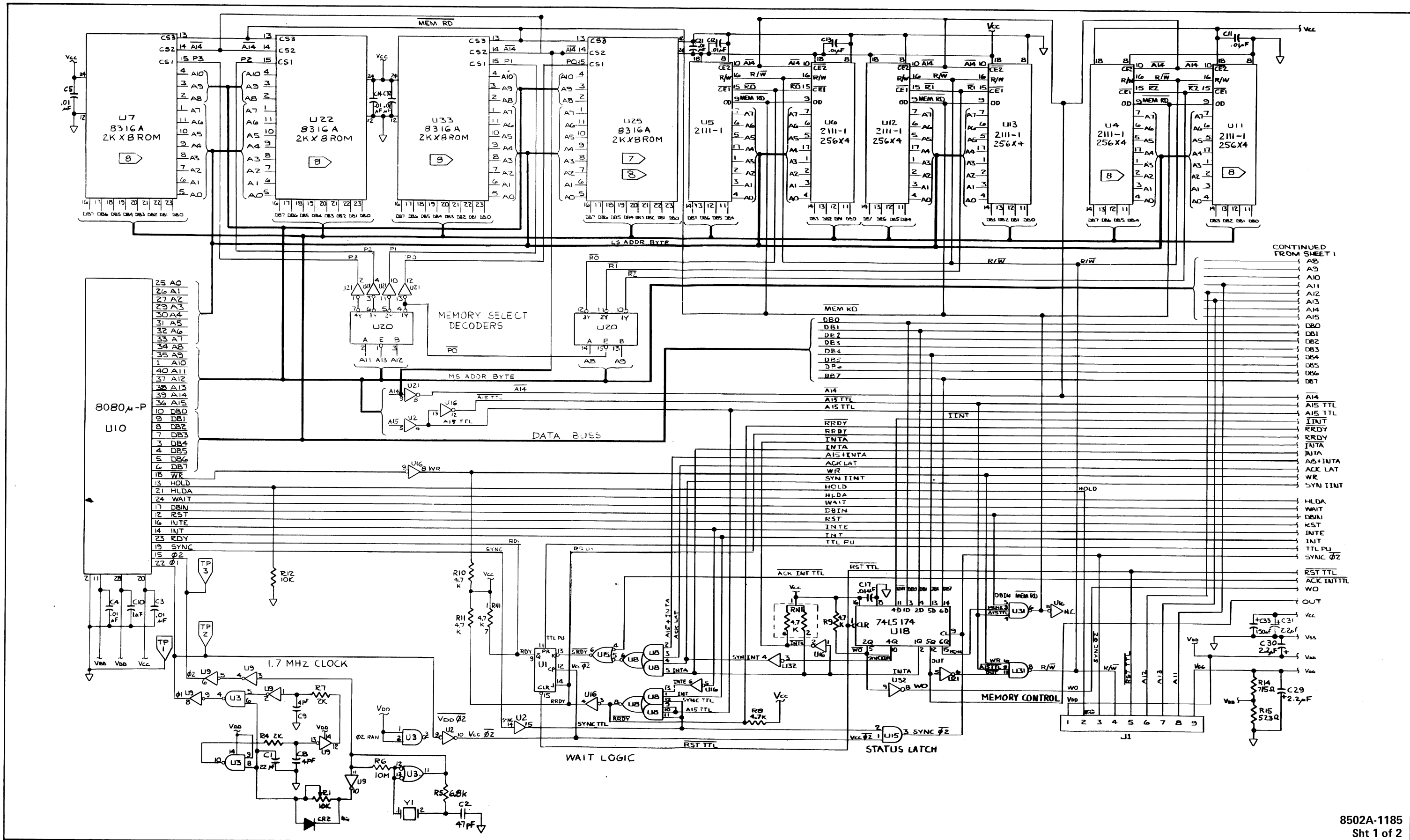
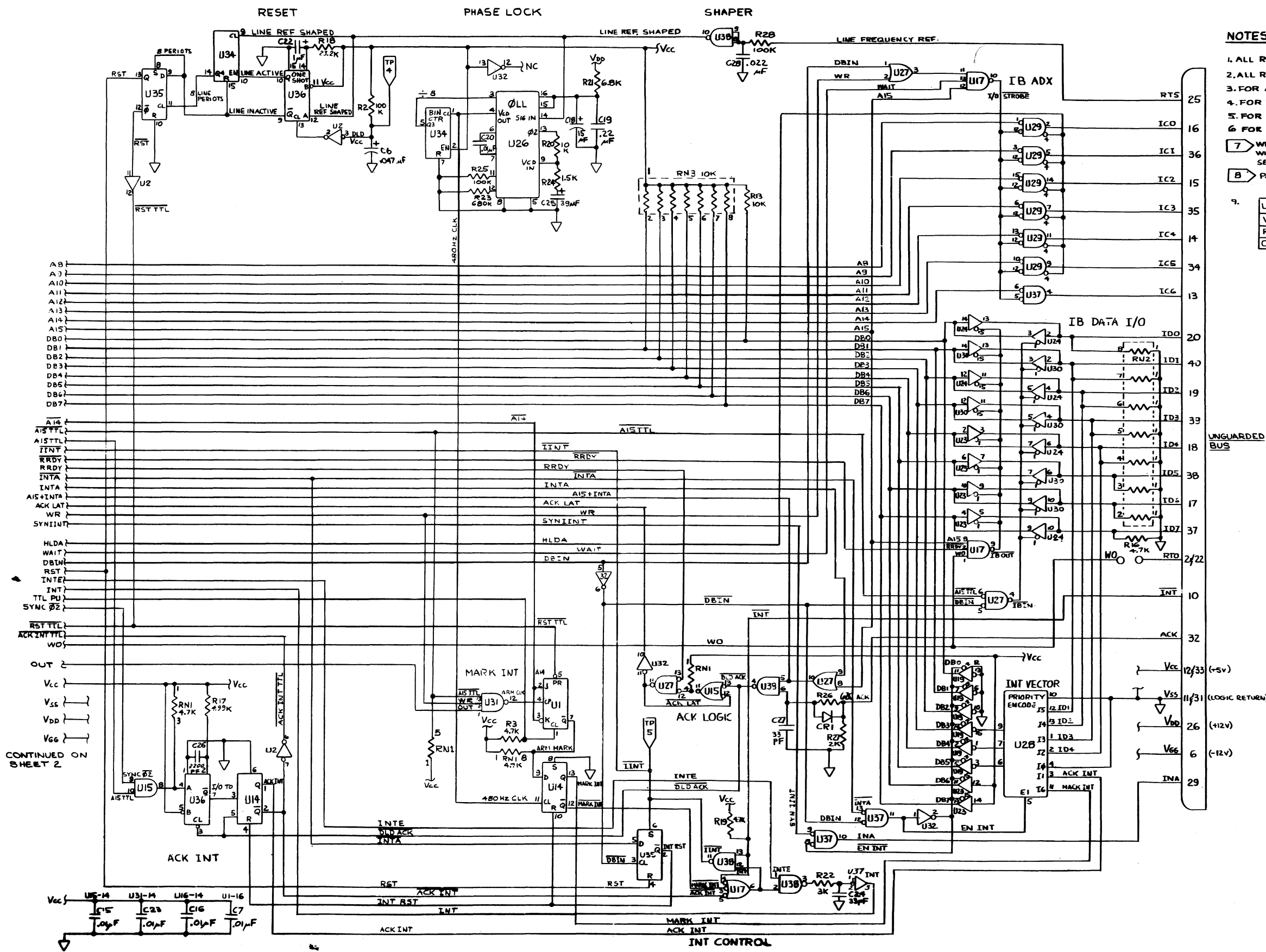


Figure 8-8. A6A1 Controller PCB Assembly—  
Double PCB Version (cont)

**THIS  
PAGE  
LEFT  
BLANK**

**SCANS  
By  
Artek Media**



- NOTES: (UNLESS OTHERWISE SPECIFIED)**
1. ALL RESISTANCE IN OHMS.
  2. ALL RESISTORS CC. 1/4 W, 5%. (EXCEPT R18/R17)
  3. FOR ASSY DRAWING SEE 8502A-4185.
  4. FOR REF. DES. DRAWING SEE 8502A-1785.
  5. FOR PCB SEE HIS 3185.
  6. FOR BLOCK DIAGRAM SEE 8502A-1485.
  7. WHEN USING EXPANDED MEMORY (FROM PCB), U25 LOCATION WILL BE UTILIZED AS AN INTERCONNECT, SEE 8502A-1088 SCHEMATIC.
  8. PARTS NOT USED ON THIS ASSY.

9. LAST REF. DES. USED

V1	U38
RN 3	R28
CR 1	C33

CONTINUED ON SHEET 2

8502A-1185  
Sht 2 of 2

Figure 8-8. A6A1 Controller PCB Assembly - Double PCB Version (cont)

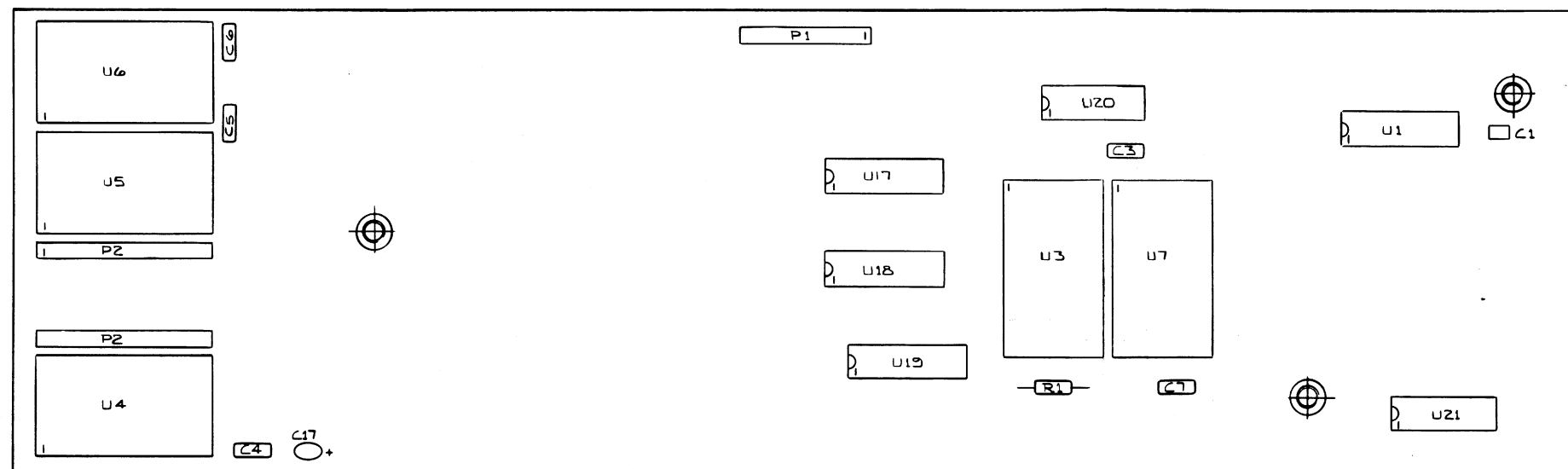
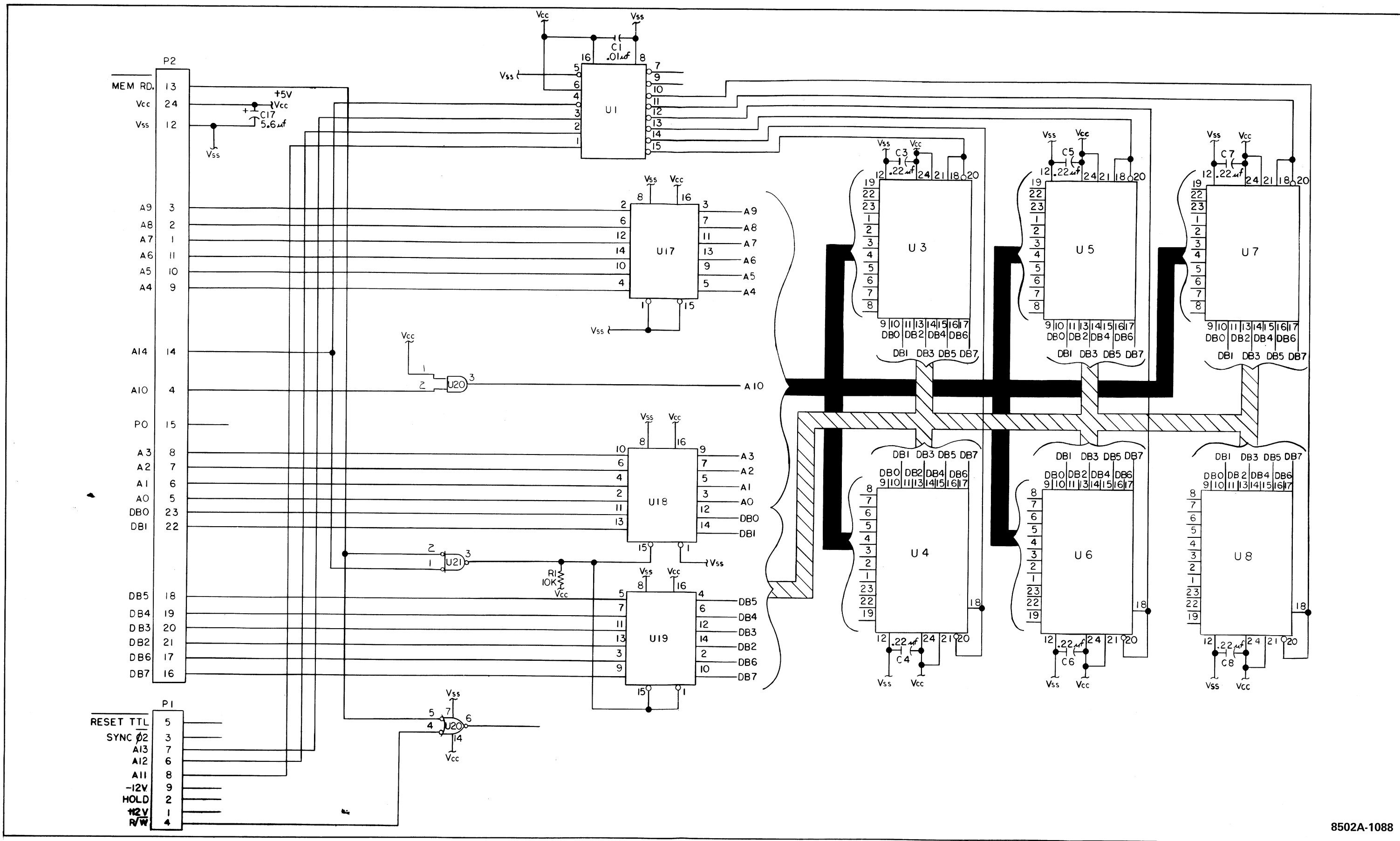
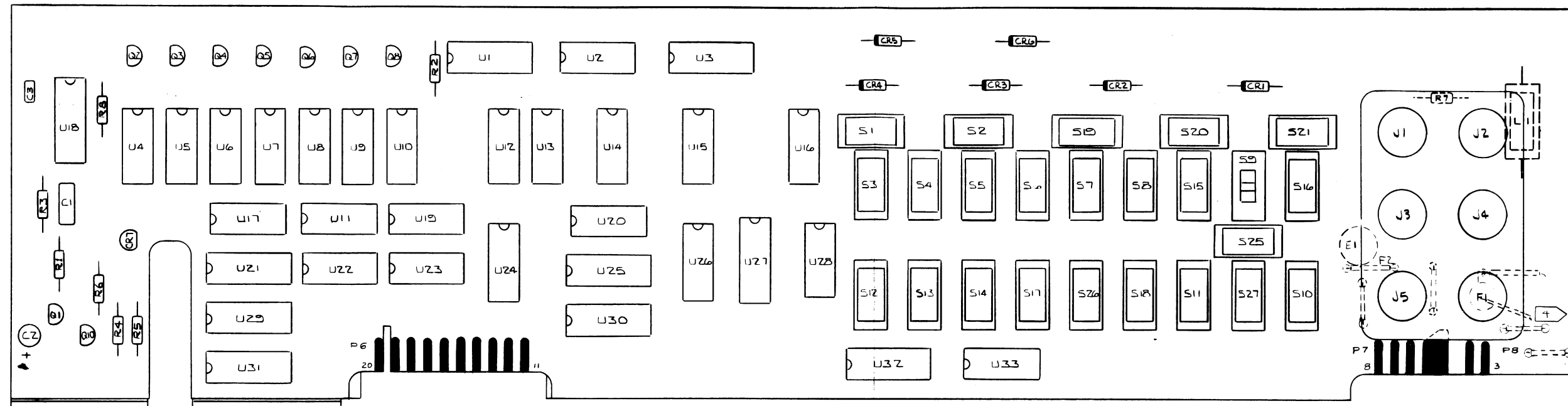


Figure 8-9. A6A2 Prom Rom PCB Assembly—  
Double PCB Version



8502A-1088

Figure 8-9. A6A2 Prom Rom PCB Assembly—  
Double PCB Version (cont)

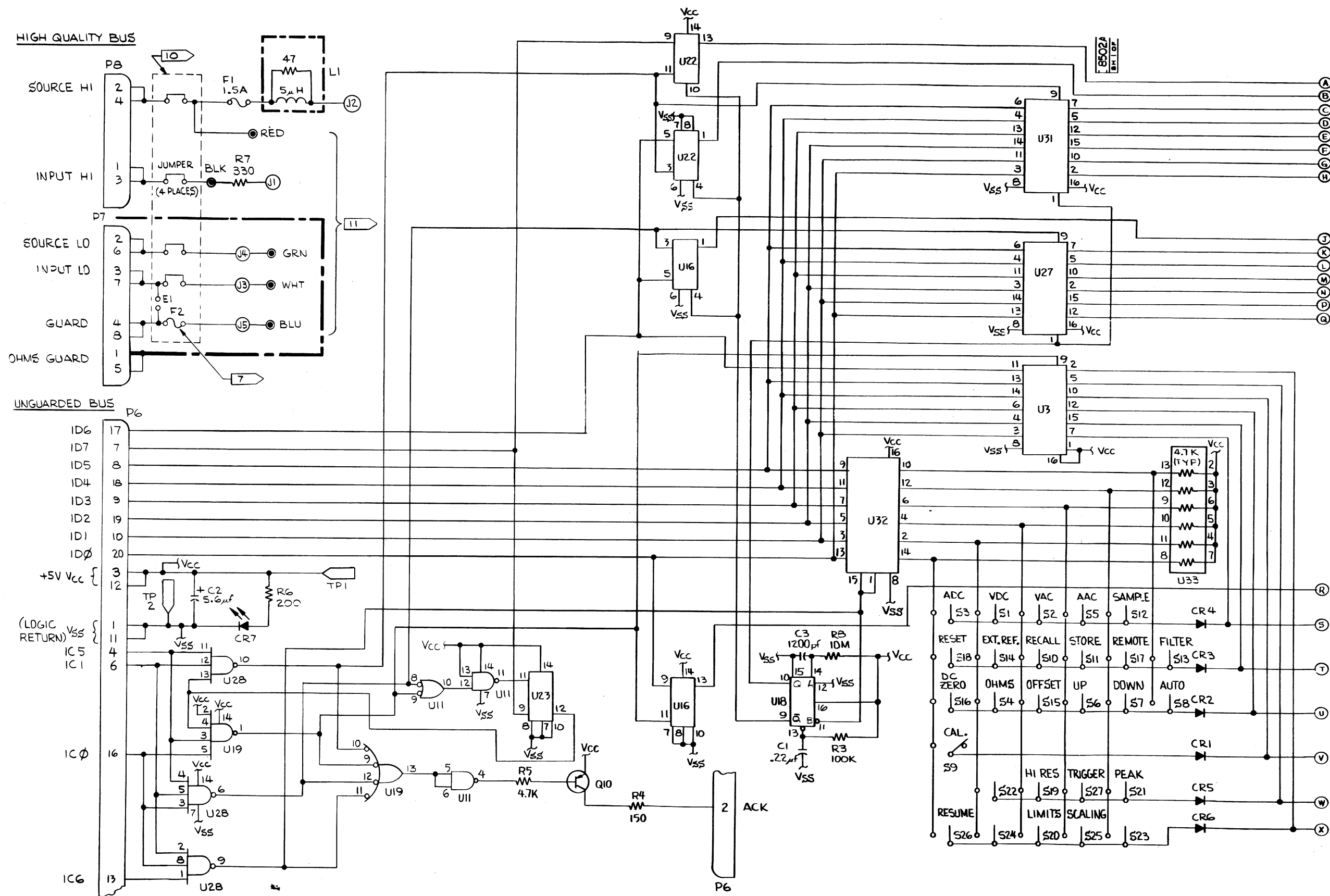


NOTES:

4 JUMPER AND FUSE CONNECTIONS, FAR SIDE.

Figure 8-10. A7 Front Panel Display PCB Assembly



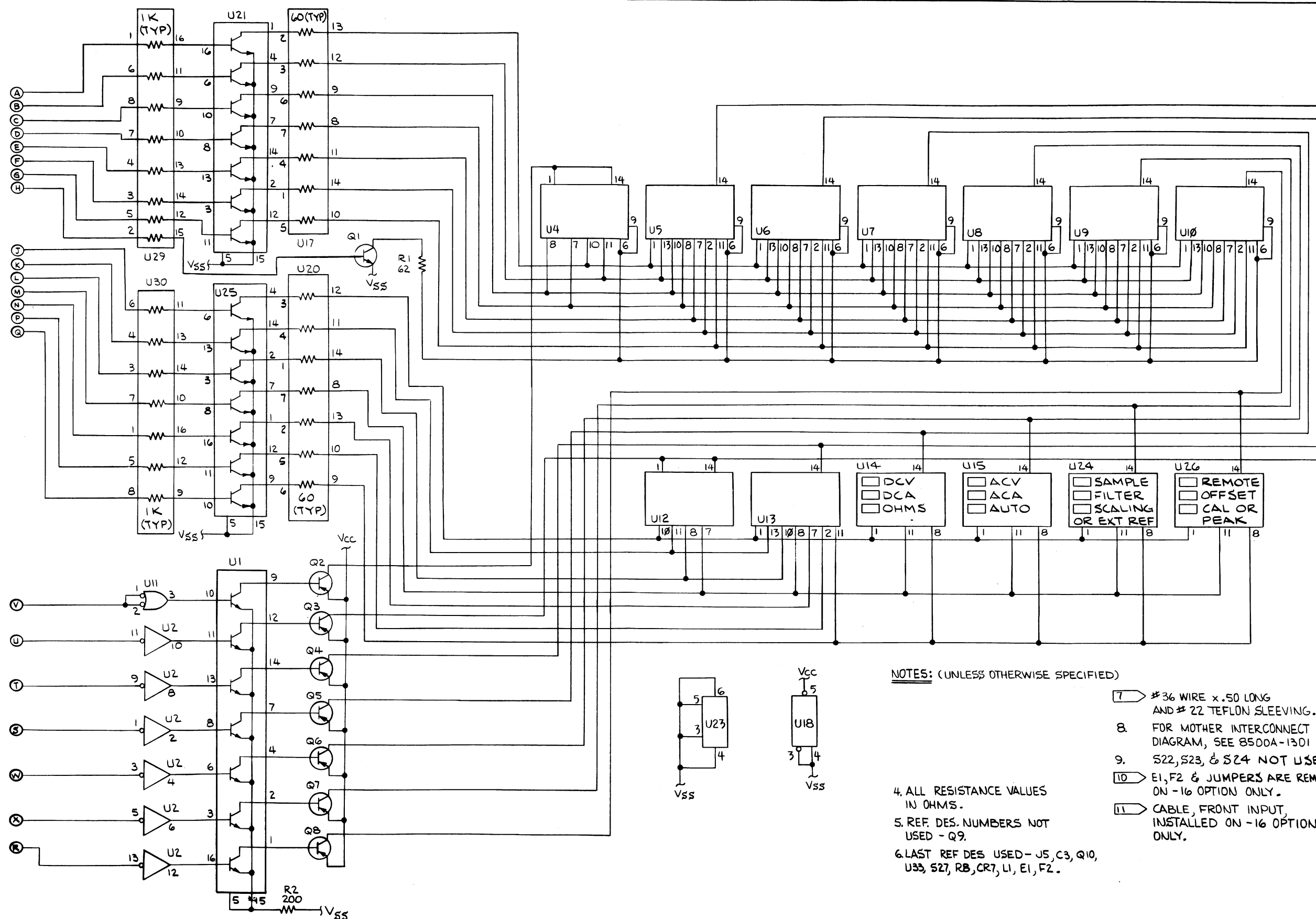


8502A-1023  
Sht 1 of 2

Figure 8-10. A7 Front Panel Display  
PCB Assembly (cont)

**THIS  
PAGE  
LEFT  
BLANK**

**SCANS  
By  
Artek Media**



- NOTES: (UNLESS OTHERWISE SPECIFIED)
- 4. ALL RESISTANCE VALUES IN OHMS.
  - 5. REF. DES. NUMBERS NOT USED - Q9.
  - 6. LAST REF DES USED - J5, C3, Q10, U33, S27, R8, CR7, L1, E1, F2.
  - 7. #36 WIRE x.50 LONG AND #22 TEFLON SLEEVING.
  - 8. FOR MOTHER INTERCONNECT DIAGRAM, SEE 8500A-1301
  - 9. S22, S23, & S24 NOT USED
  - 10. E1, F2 & JUMPERS ARE REMOVED ON -16 OPTION ONLY.
  - 11. CABLE, FRONT INPUT, INSTALLED ON -16 OPTION ONLY.

8502A-1023  
Sht 2 of 2

Figure 8-10. A7 Front Panel Display PCB Assembly (cont)

R54, R55, R56 & R57 WILL BE DETERMINED  
DURING TESTING. RESISTORS MAY BE INSTALLED.

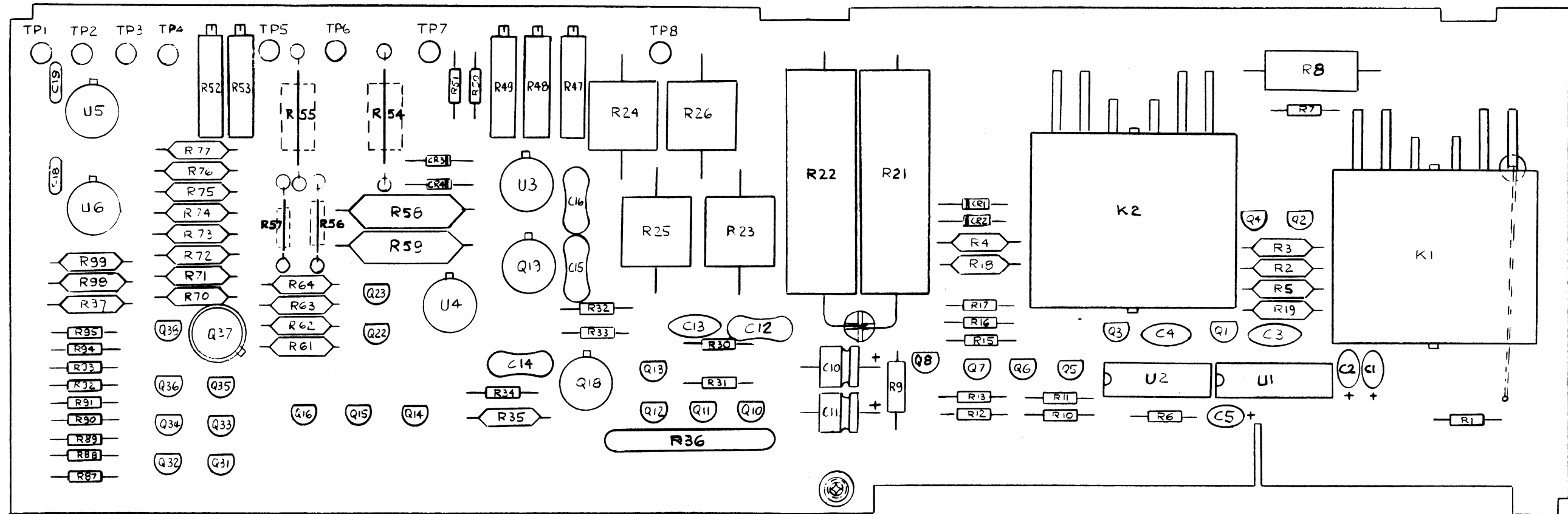
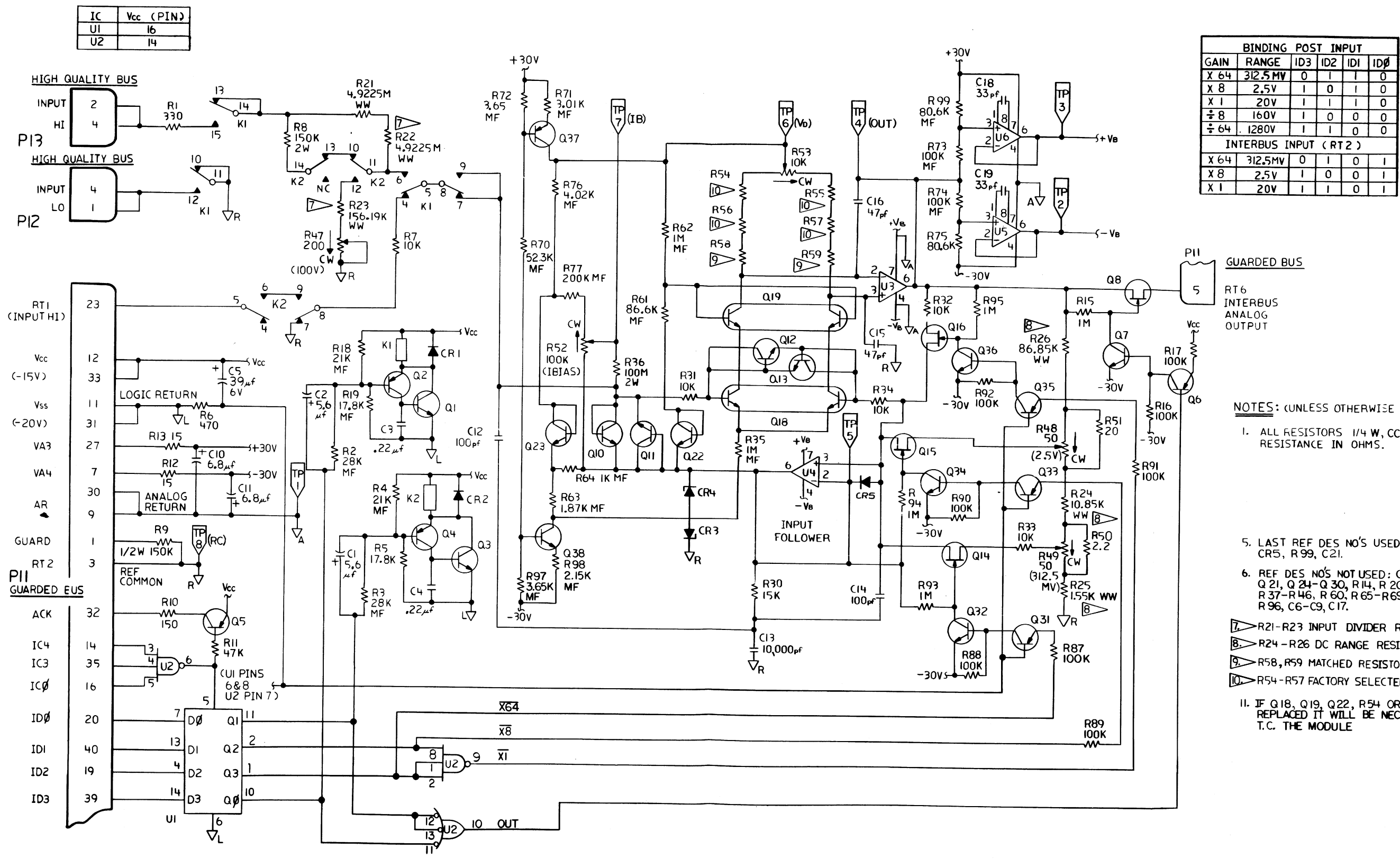


Figure 8-11. A8 DC Signal Conditioner  
PCB Assembly



IC	Vcc (PIN)
U1	16
U2	14

BINDING POST INPUT					
GAIN	RANGE	ID3	ID2	ID1	ID0
X 64	312.5 MV	0	1	1	0
X 8	2.5V	1	0	1	0
X 1	20V	1	1	1	0
÷ 8	160V	1	0	0	0
÷ 64	1280V	1	1	0	0

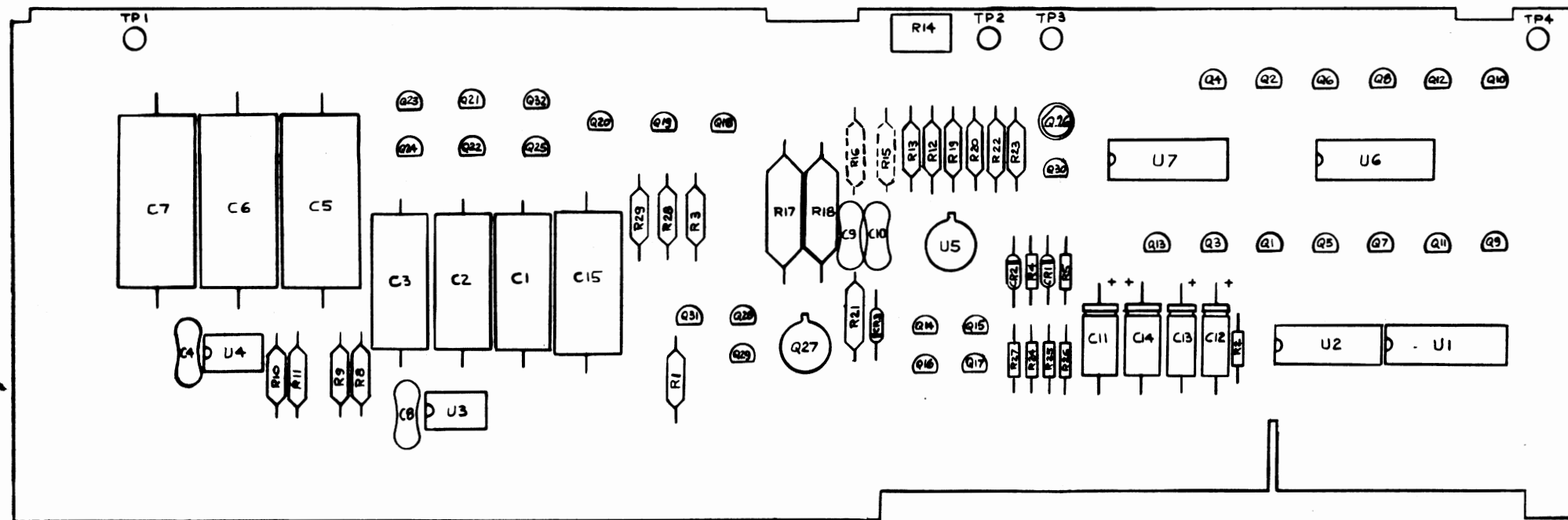
INTERBUS INPUT (RT 2)					
GAIN	RANGE	ID3	ID2	ID1	ID0
X 64	312.5 MV	0	1	0	1
X 8	2.5V	1	0	0	1
X 1	20V	1	1	0	1

**NOTES:** (UNLESS OTHERWISE NOTED)

1. ALL RESISTORS 1/4 W, CC, AND ALL RESISTANCE IN OHMS.
5. LAST REF DES NO'S USED: U6, Q38, CR5, R99, C21.
6. REF DES NO'S NOT USED: Q9, Q17, Q20, Q21, Q24-Q30, R14, R20, R27-R29, R37-R46, R60, R65-R69, R78-R86, R96, C6-C9, C17.
7. R21-R23 INPUT DIVIDER RESISTOR SET.
8. R24-R26 DC RANGE RESISTOR SET.
9. R58, R59 MATCHED RESISTOR SET.
10. R54-R57 FACTORY SELECTED PARTS.
11. IF Q18, Q19, Q22, R54 OR R55 ARE REPLACED IT WILL BE NECESSARY TO T.C. THE MODULE

MIS 1100

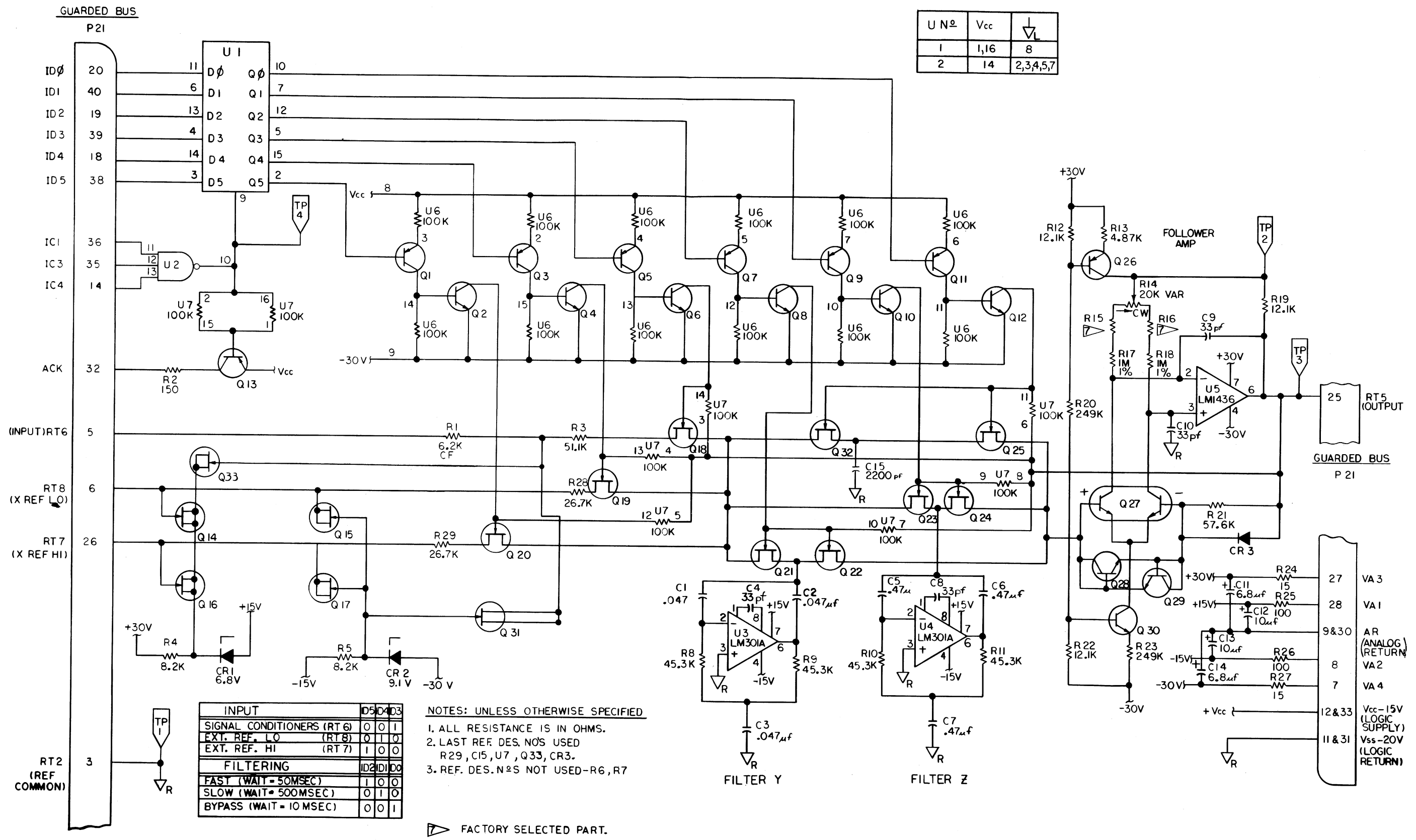
Figure 8-11. A8 DC Signal Conditioner PCB Assembly (cont)



NOTES:

4. R15 & R16 WILL BE SELECTED DURING TEST.

Figure 8-12. A9 Active Filter PCB Assembly



MIS-1130

Figure 8-12. A9 Active Filter PCB Assembly (cont)

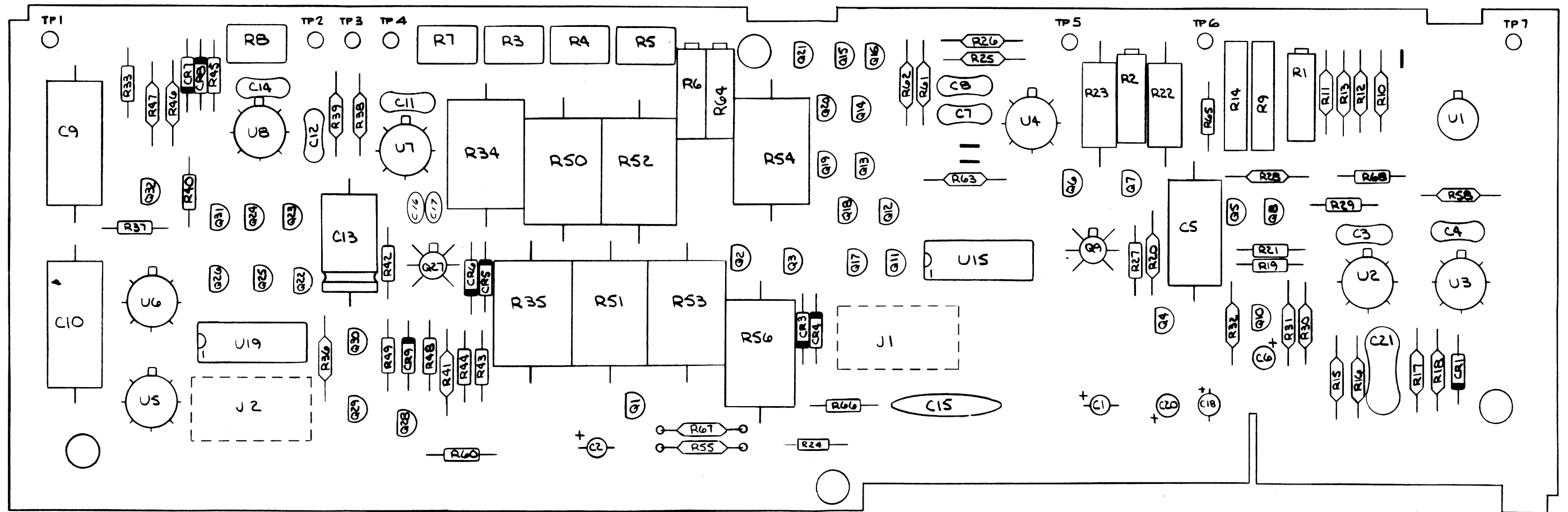
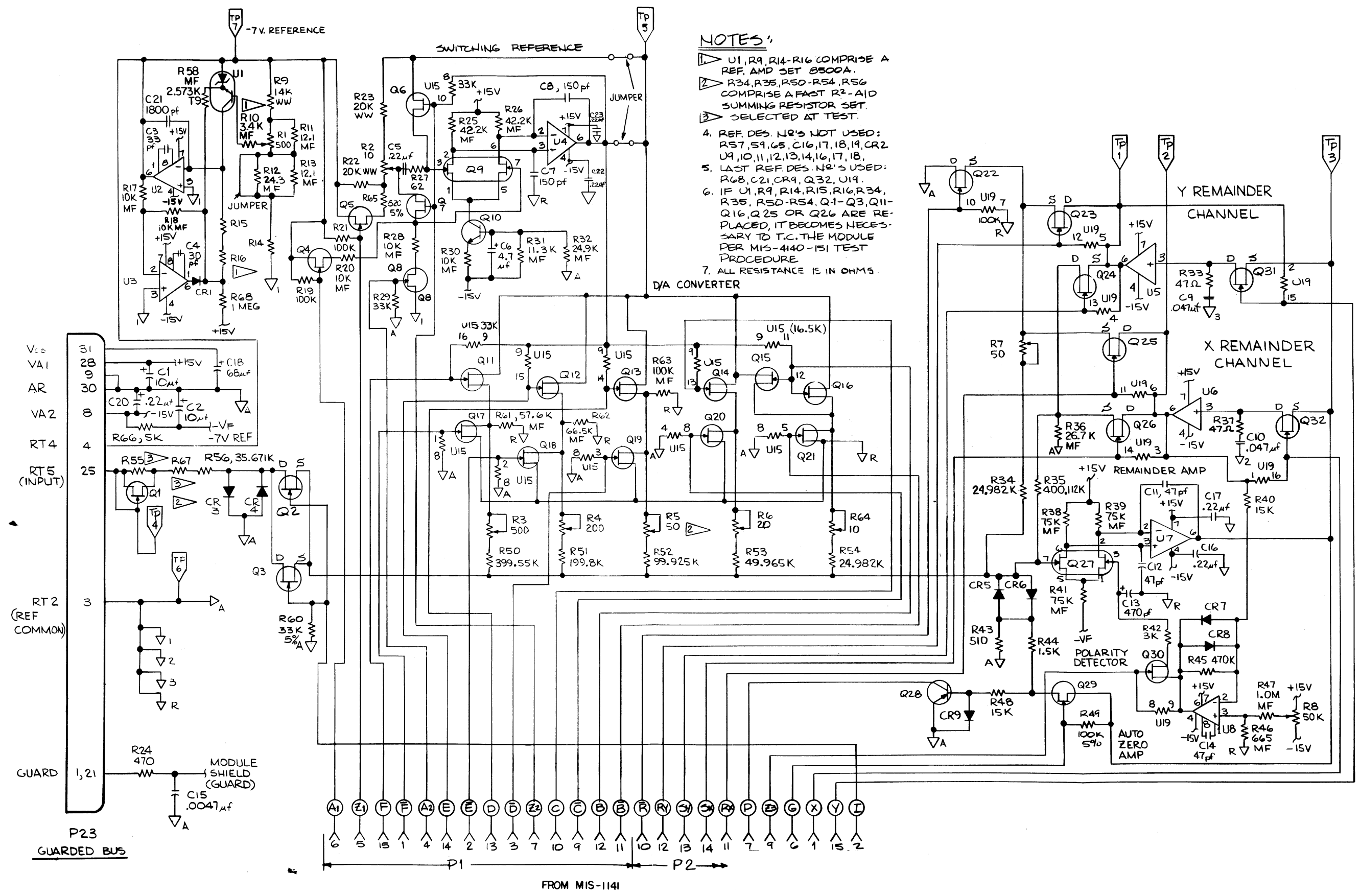


Figure 8-13. A10A1 Analog Display PCB Assembly





- NOTES:**
- 1. U1, R9, R14-R16 COMPRISE A REF. AMP SET 8500A.
  - 2. R34, R35, R50-R54, R56 COMPRISE A FAST RZ-A/D SUMMING RESISTOR SET. SELECTED AT TEST.
  - 3. REF. DES. NO'S NOT USED: R57, 59, 65, C16, 17, 18, 19, CR2, U9, 10, 11, 12, 13, 14, 16, 17, 18.
  - 4. LAST REF. DES. NO'S USED: R68, C21, CR9, Q32, U19.
  - 5. IF U1, R9, R14, R15, R16, R34, R35, R50-R54, Q1-Q3, Q11-Q16, Q25 OR Q26 ARE REPLACED, IT BECOMES NECESSARY TO T.C. THE MODULE PER MIS-440-151 TEST PROCEDURE.
  - 6. ALL RESISTANCE IS IN OHMS.

MIS-1140

Figure 8-13. A10A1 Analog Display PCB Assembly (cont)

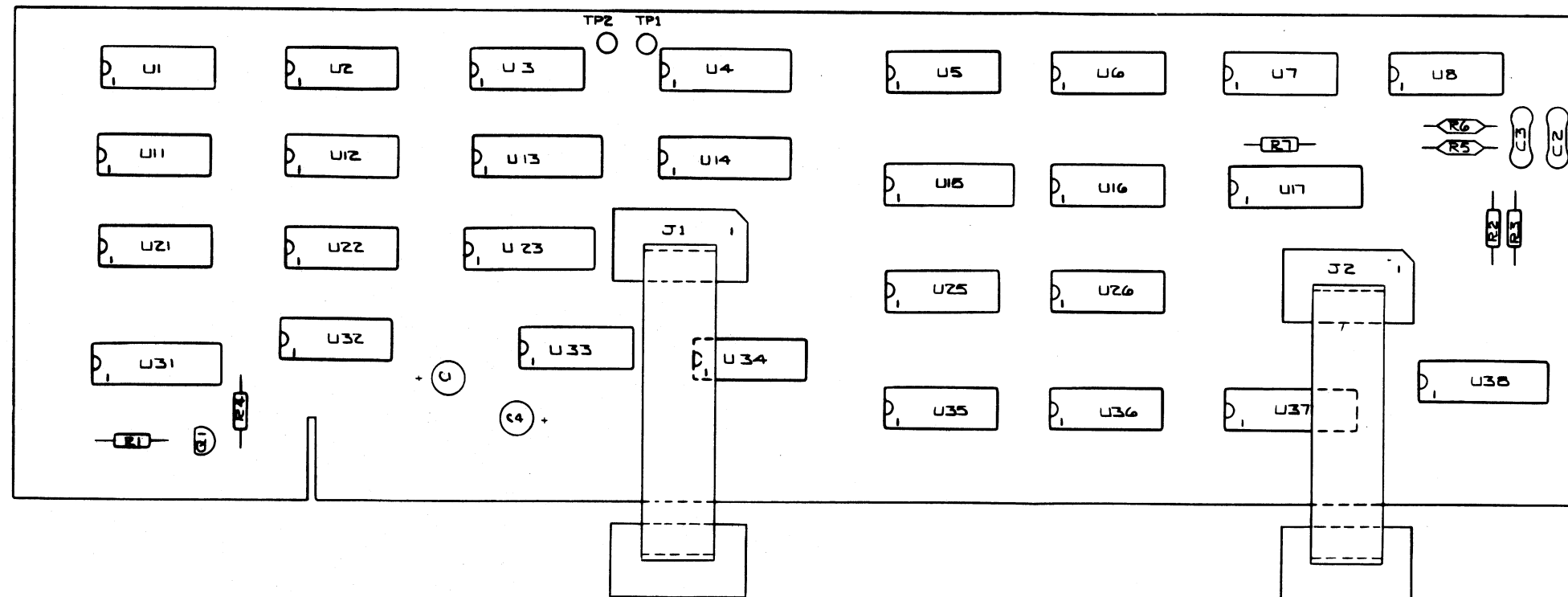
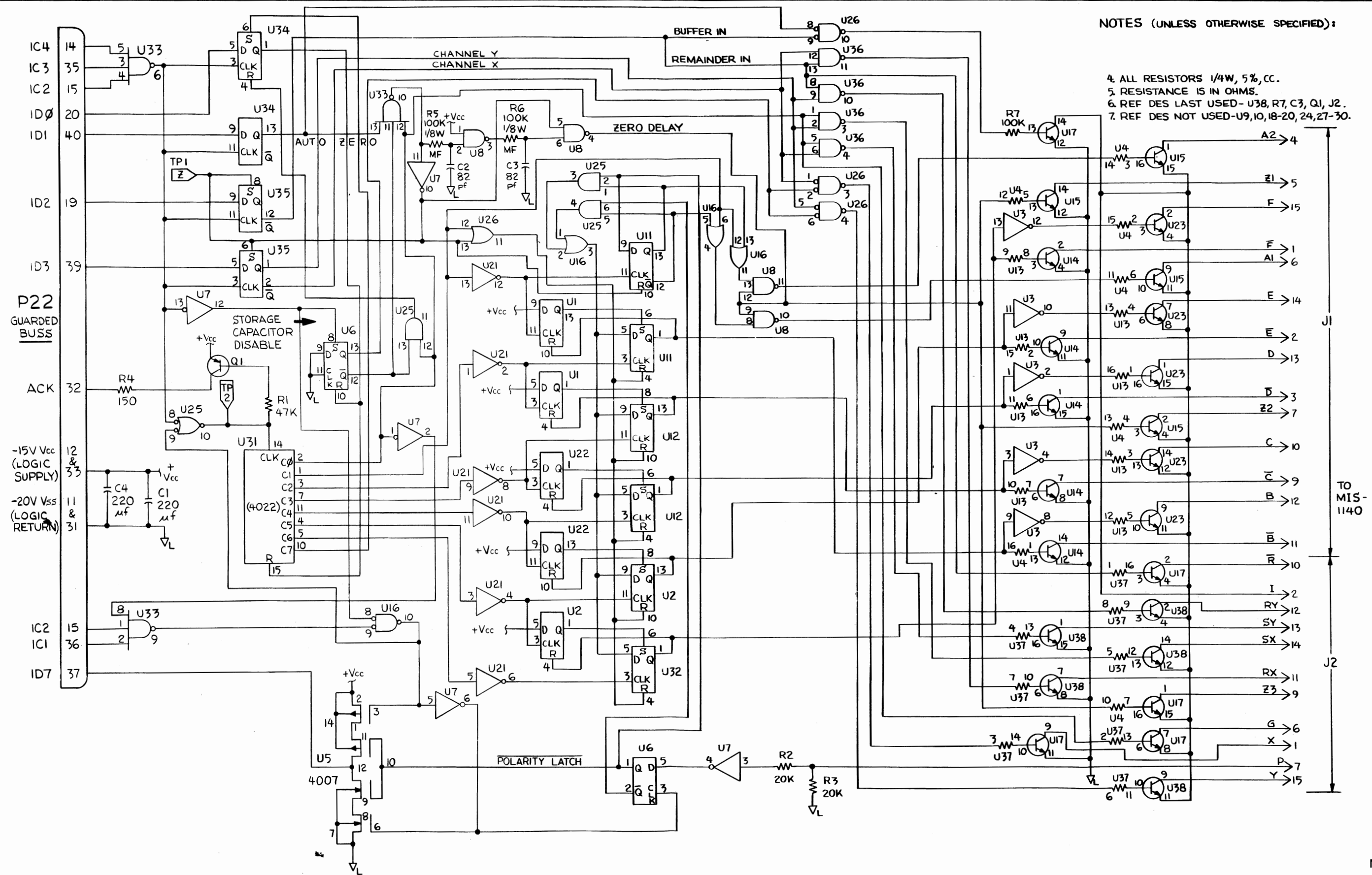


Figure 8-14. A10A2 Fast RR A/D Converter  
Digital PCB Assembly



MIS-1141

Figure 8-14. A10A2 Fast FF A/D Converter Digital PCB Assembly (cont)