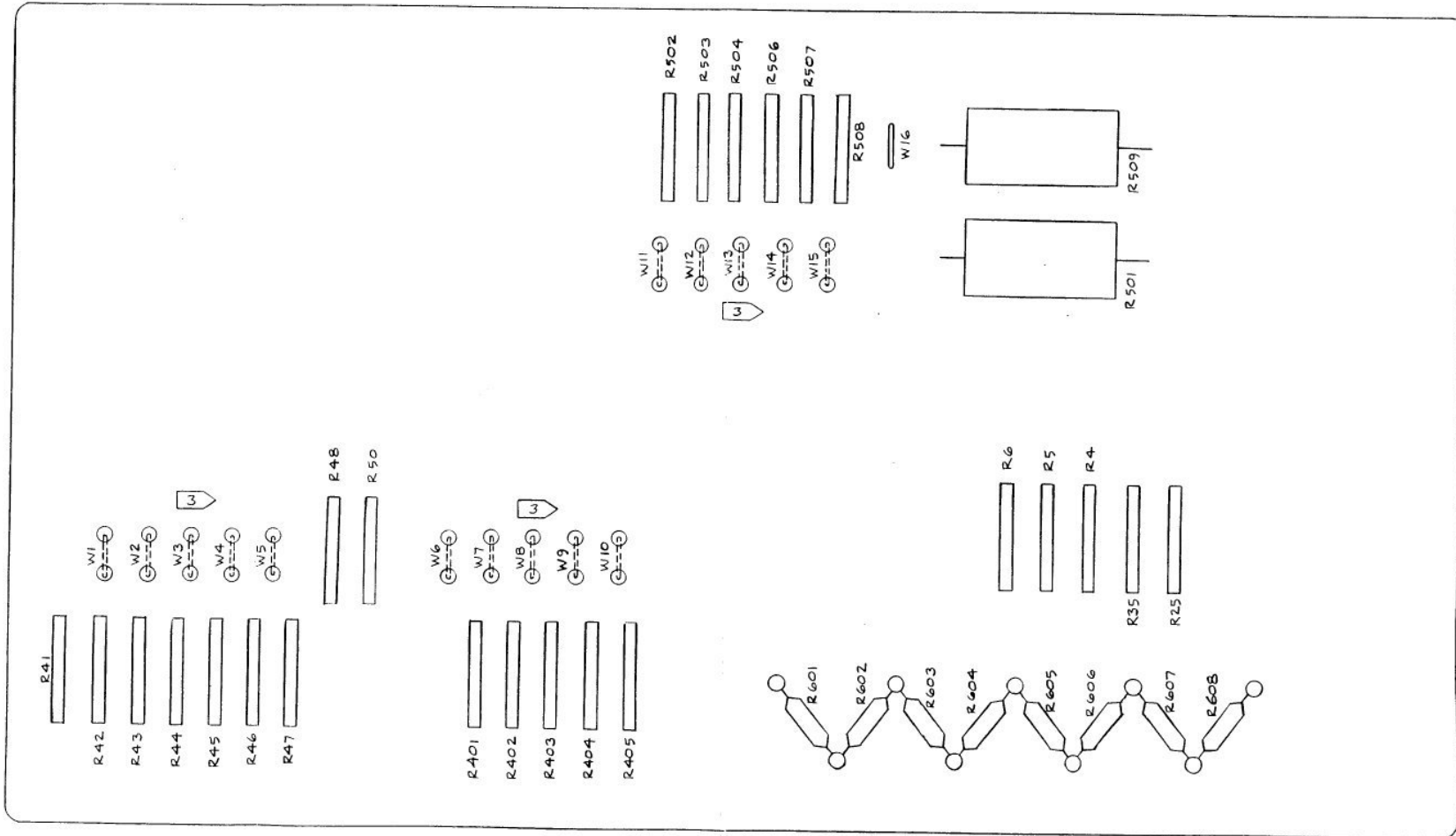


- ① 5.6W & 11.12W ARE THE WIPER PINS ON THE WIPER DECKS OF S1 & S2.
 ② JUMPERS SELECTABLE RESISTANCE VALUES.

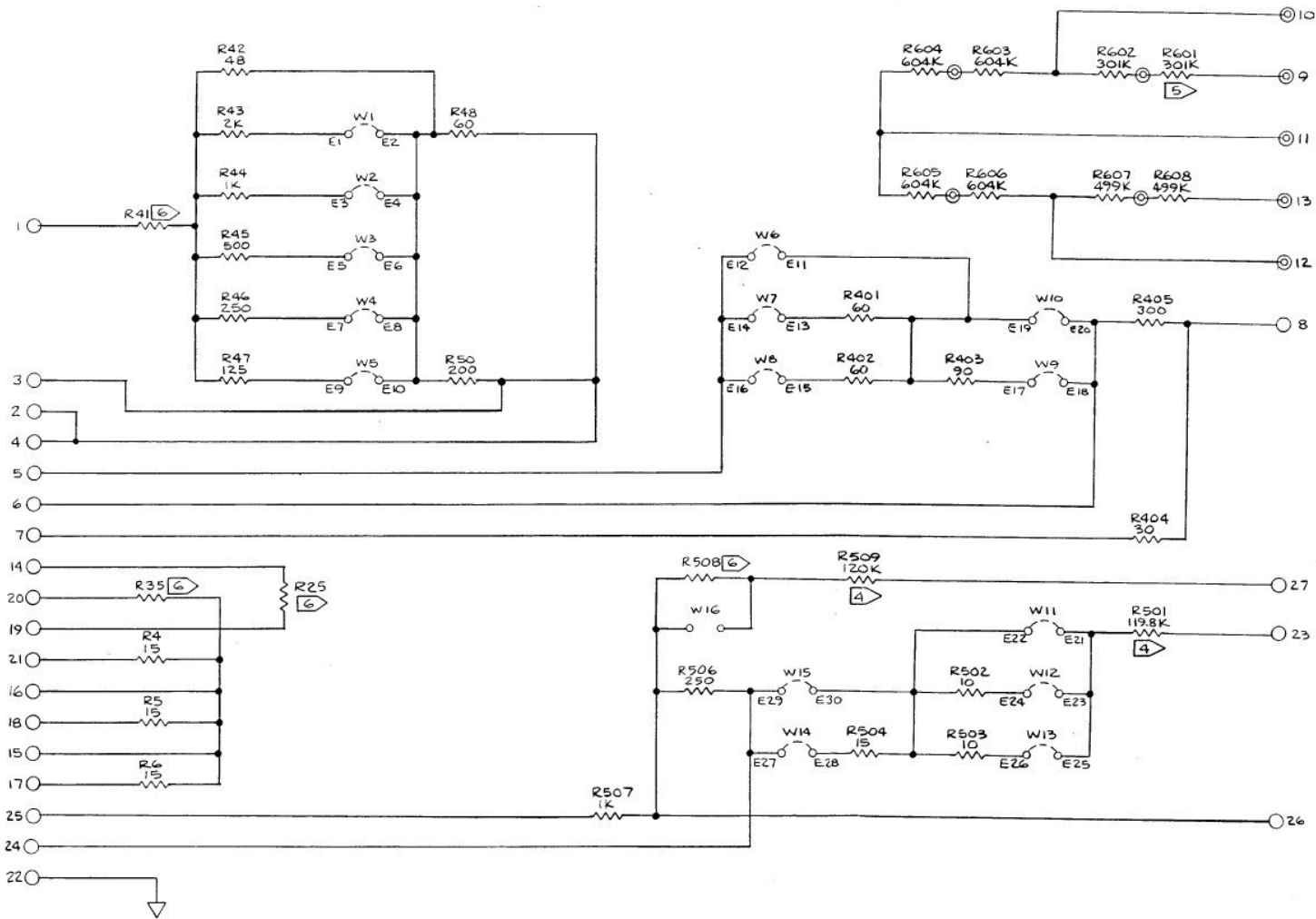
752A-1201

Figure 8-1. 752A Ref Divider Interconnect



1. FOR SCHEMATIC DIAGRAM SEE 752A-1002
 2. FOR ASSEMBLY DRAWING SEE 752A-4002
- 3 THESE JUMPERS ARE SELECTED PER THE LONG TERM DRIFT PROCEDURE.

Figure 8-2. Bridge & Compen PCB



- NOTES: UNLESS OTHERWISE SPECIFIED
1. ALL RESISTANCES ARE IN OHMS.
 2. ⊙ = TEFLON STAND-OFF.
 3. ALL RESISTORS ARE 3/4" WW CARDS.
 4. 1 WATT, HERMETICALLY SEALED, WIREWOUND BOBBIN.
 5. R601-R608 ARE 1/8W MF, 1%.
 6. SELECT IN TEST.
 7. W1-W15 JUMPERS ARE SELECTED PER THE LONG TERM DRIFT PROCEDURE.

Figure 8-2. Bridge & Compen PCB (cont)

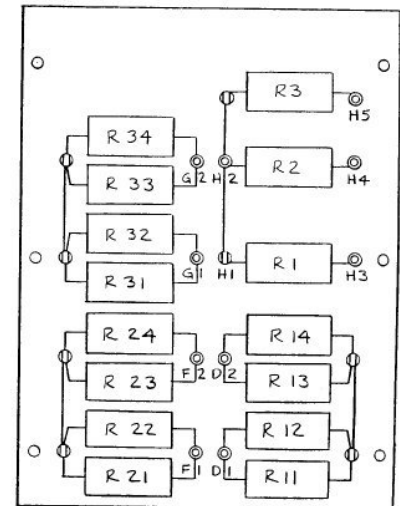
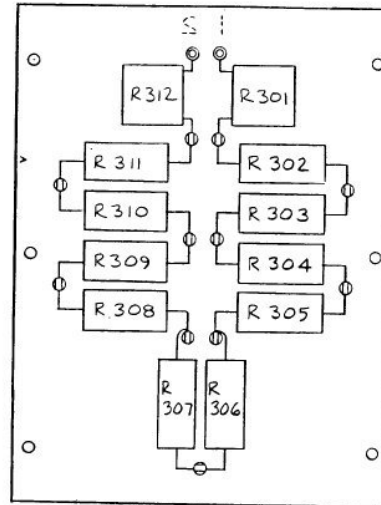
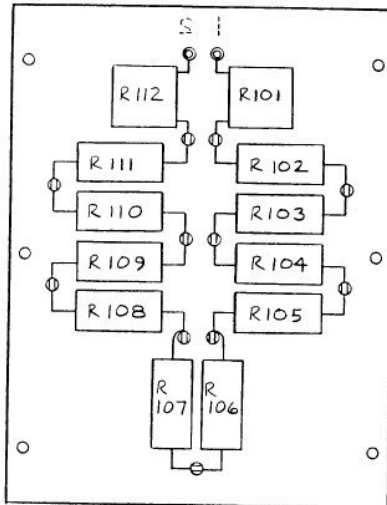
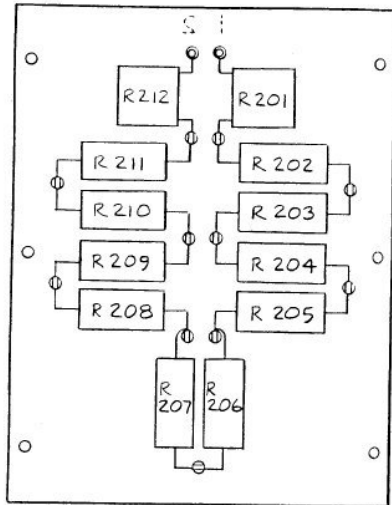
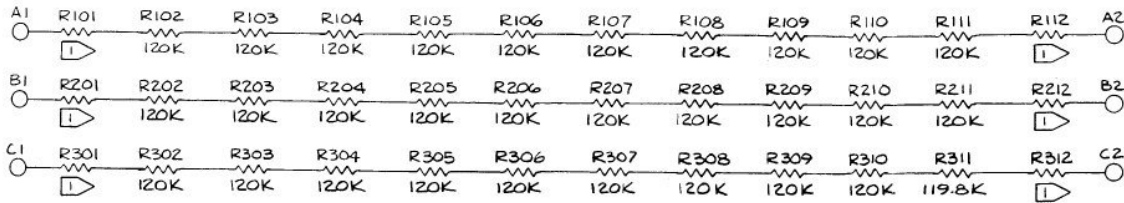
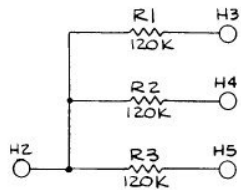
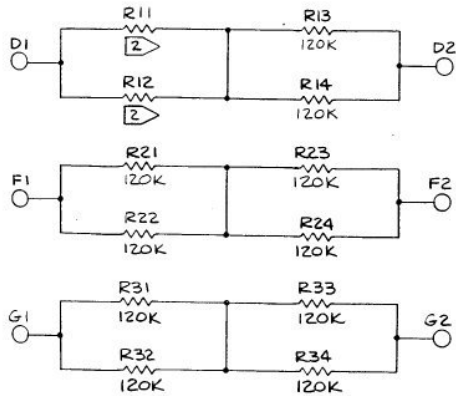


Figure 8-3. Output and 10:1, 100:1



752A-1003
752A-1001

100:1
OUTPUT & 10:1



NOTES:

- 1 ▷ SELECT IN TEST.
- 2 ▷ 119.8K RESISTOR MAY BE PHYSICALLY LOCATED IN EITHER OF THE FOLLOWING LOCATIONS: R11 OR R12.
3. UNLESS OTHERWISE SPECIFIED, ALL RESISTORS ARE 1W HERMETICALLY SEALED WW BOBBIN.

Figure 8-3. Output and 10:1, 100:1 (cont)