

文件管制中心章

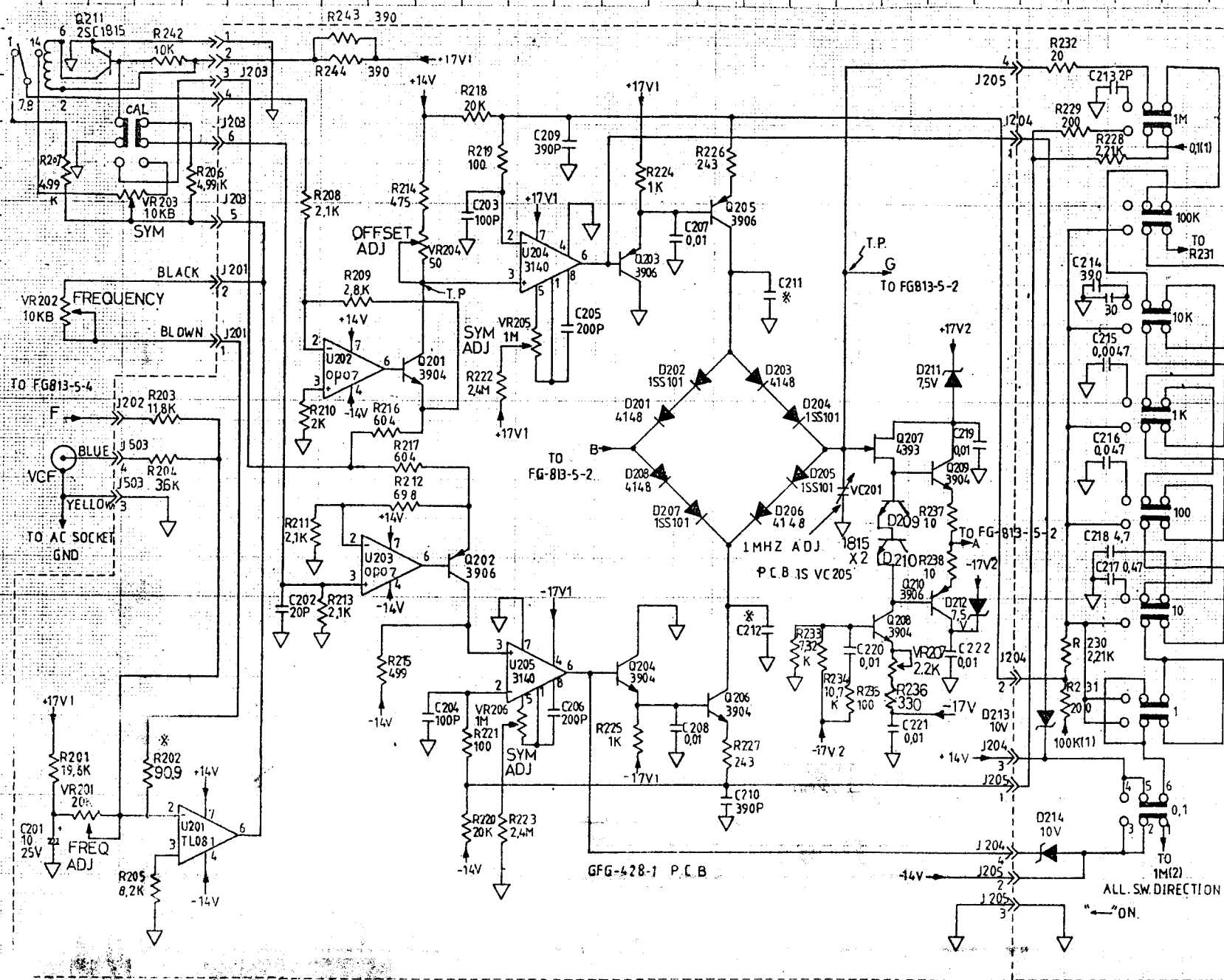
線 路 圖

適用機種: 676813

總頁數 共 5 頁

版本	發 行 / 變 更 說 明	ECR NO.	修訂日期
0	重新 REVIEW 為 ISO 標準格式		82.09.20
A	PS 在 C013 串聯 R033 5152 1/4W, ±5%	97159	86.8.25

76.10.30 1/2 改 B 訂 子
 78.7.17 D209, D210 4 訂 改
 為 TR 2SC1815GR 林 3/7
 75.8.25 增加 VR207 (0.05) 林 9/5
 R226 1K → 330Ω
 79.11.1 4 訂 改 R204 阻值 林 11
 R202



* ADJUSTED IN FACTORY

2 CIRCUITRY ARE SUBJECT TO CHANGE WITHOUT NOTICE FOR FUTHER IMPROVEMENT

3 RESISTANCE VALUES IN Ω 1/4 WATT AND CAPACITANCE IN μF UNLESS

OTHERWISE SPECIFIED

GOOD WILL INSTRUMENT CO., LTD.

DRAWN BY

CHECKED BY

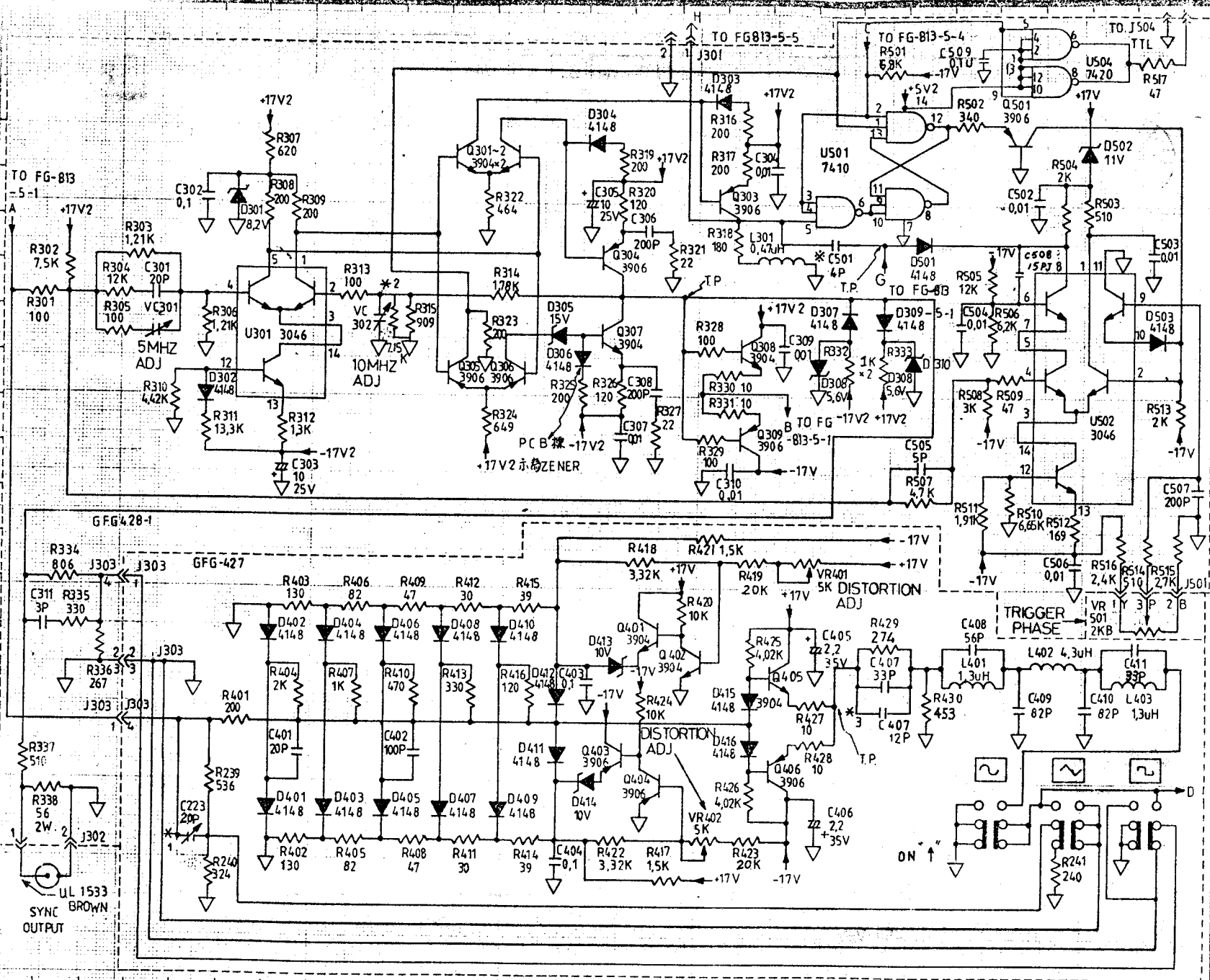
APPROVED BY

MODEL NO

DESCRIPTION

DRAWING NO

FG-813-5-1

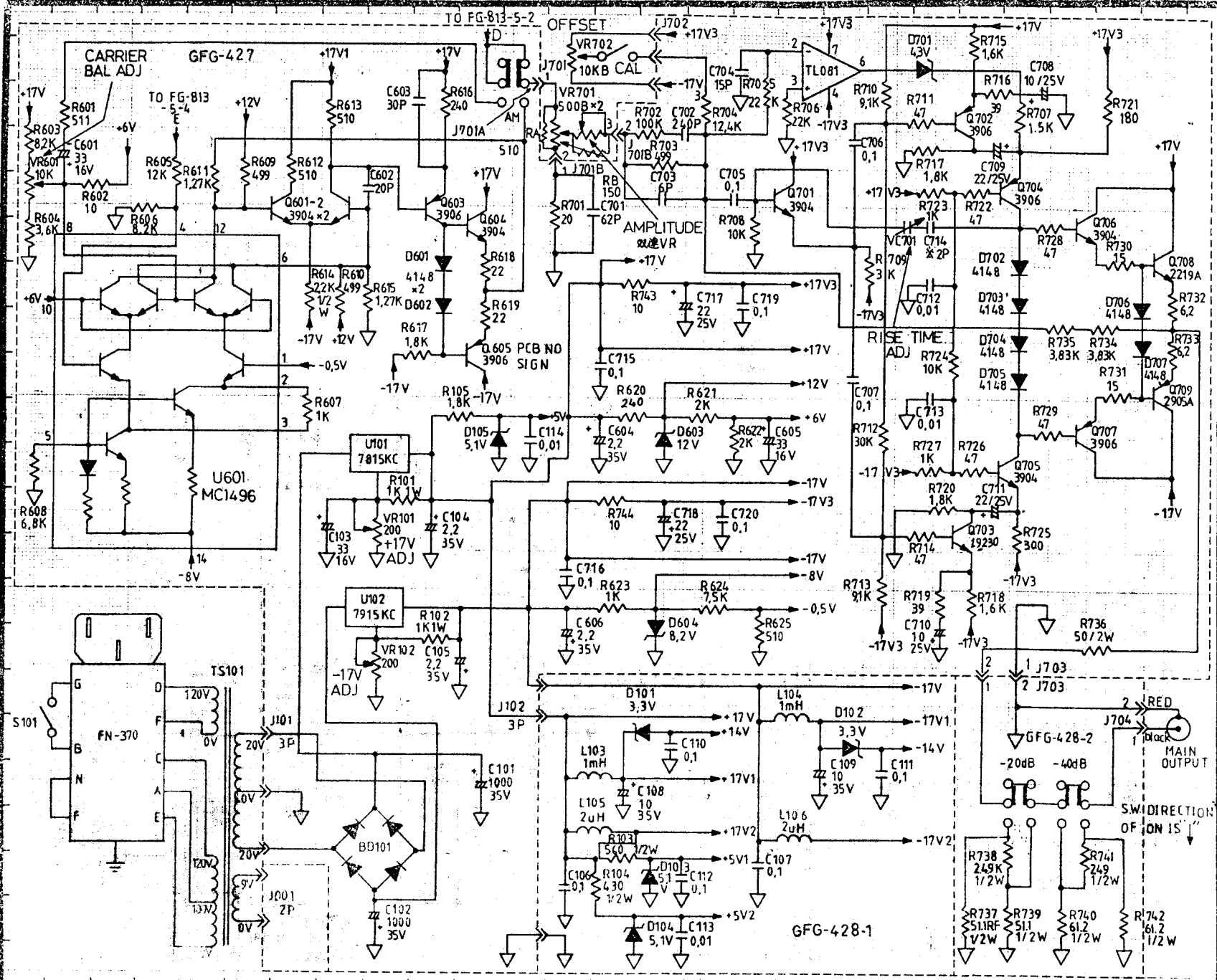


REVISION

76.10.20 修改后打正
 77.2.7 增补 C501A 10P
 (ECN No. PE-RC-0245)
 78.2.1 修改: 补德国 78.2.1
 R501, C508, C509A (ECN: PE-8024)
 78.7.17 R332, R333
 修改阻值为 1K
 79.7.18 增加 17V (+U504, C509, R517)
 79.11.18 修改 R423 10K
 80.2.20 修改 R223 10K
 80.2.20 修改 R223 10K

- 1 * ADJUSTED IN FACTORY
- 2 CIRCUITRY ARE SUBJECT TO CHANGE WITHOUT NOTICE FOR FUTHER IMPROVEMENT.
- 3 RESISTANCE VALUES IN Ω 1/4 WATT AND CAPACITANCE IN #F UNLESS OTHERWISE SPECIFIED.

GOOD WILL INSTRUMENT CO., LTD.			MODEL NO
DRAWN BY	CHECKED BY	APPROVED BY	DESCRIPTION
			DRAWING NO
			FG-813-5-2



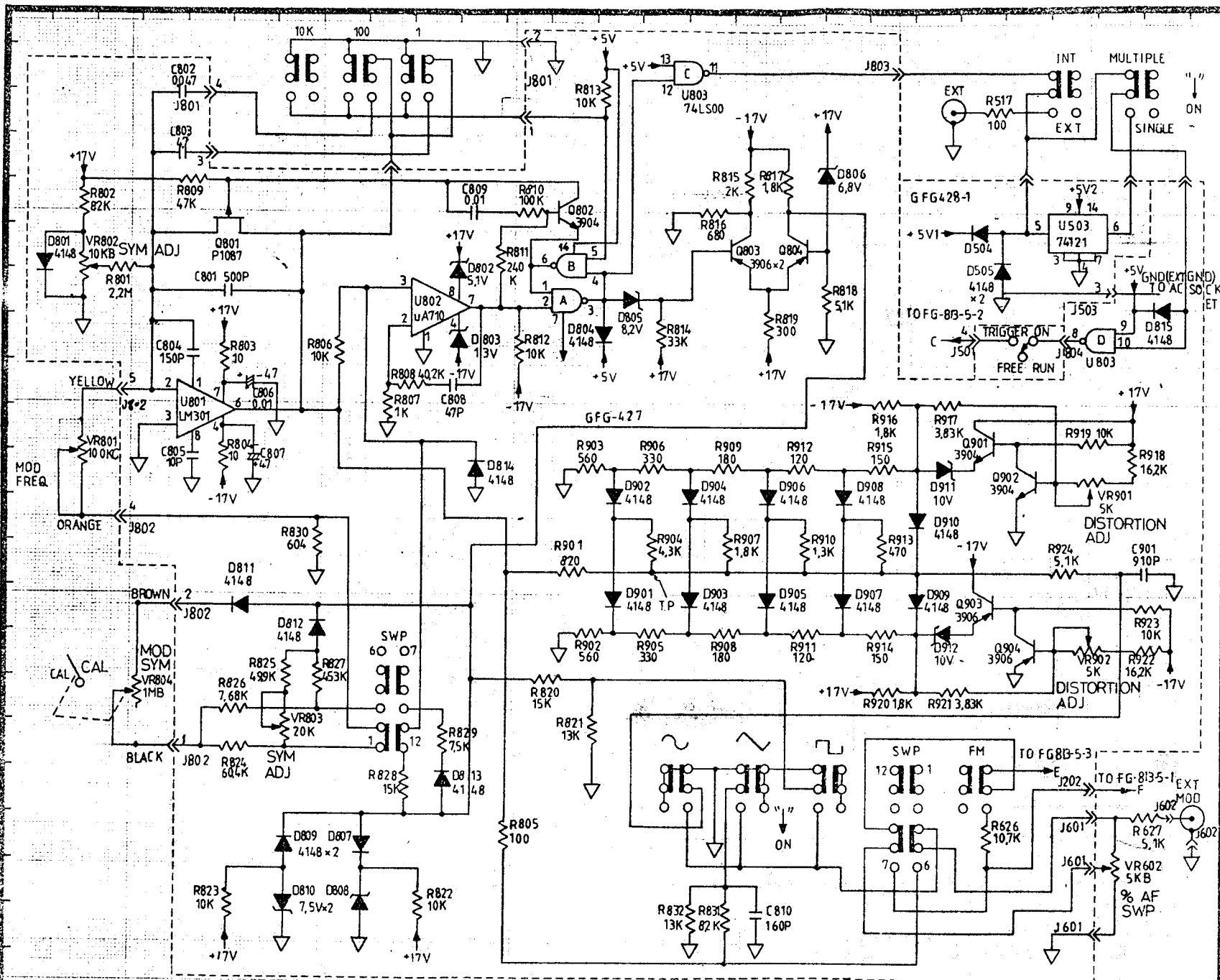
REVISION

79.10.30 增加訂正
 79.6.29 修改 R137-R142 零件
 79.7.24 修改 R104 零件
 79.1.1 增加 R725 零件
 8703

1 * ADJUSTED IN FACTOR
 2 CIRCUITRY ARE SUBJECT TO CHANGE WITHOUT NOTICE FOR FUTHER IMPROVEMENT
 3 RESISTANCE VALUES ARE 1/4 WATT AND CAPACITANCE IN μF UNLESS OTHERWISE SPECIFIED

GOOD WILL INSTRUMENT CO., LTD.			MODEL NO
DRAWN BY	CHECKED BY	APPROVED BY	DESCRIPTION
<i>[Signature]</i>	<i>[Signature]</i>	<i>[Signature]</i>	
			DRAWING NO
			FG-813-5-3

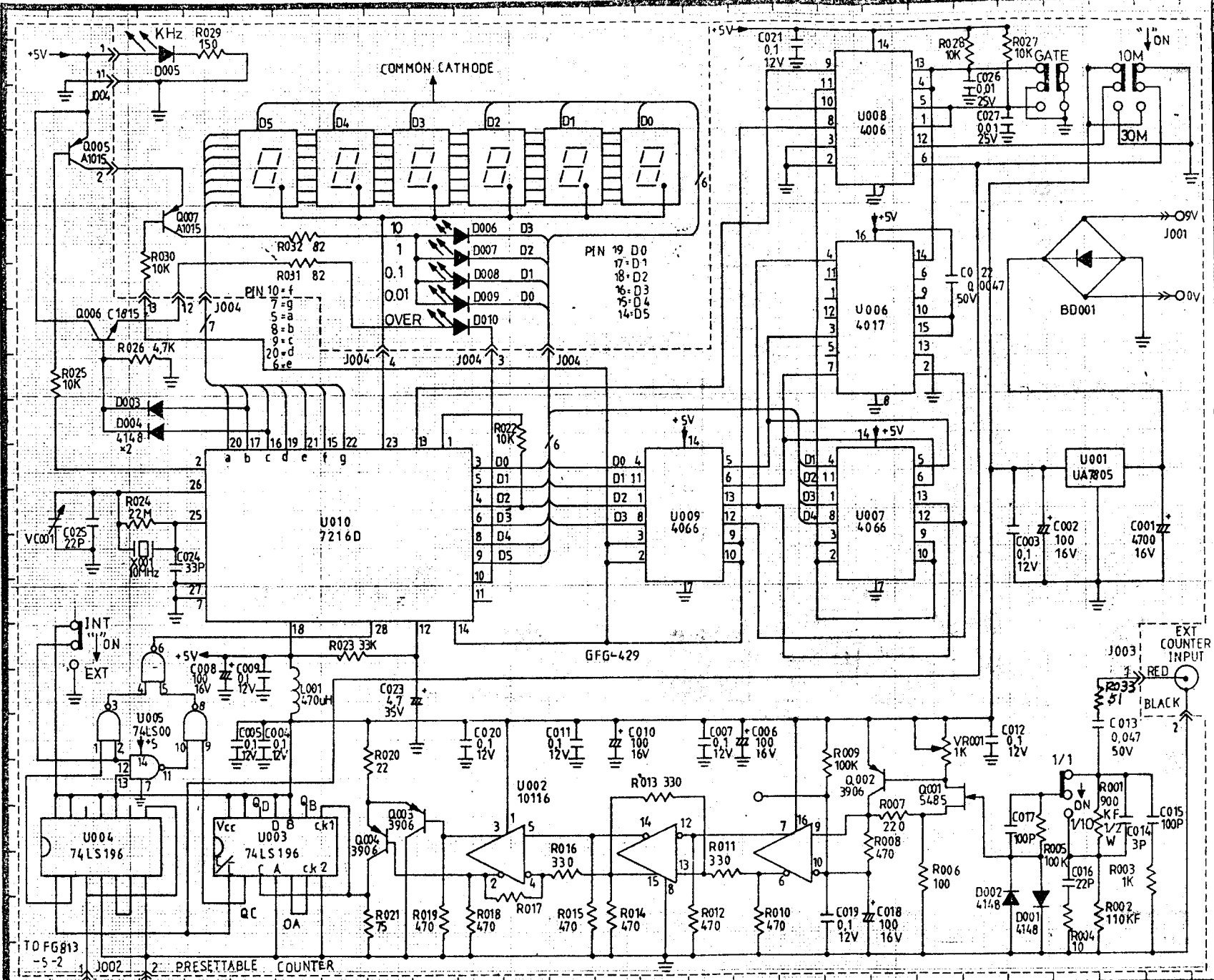
2/10/80 RBT



- 1 * ADJUSTED IN FACTORY
- 2 CIRCUITRY ARE SUBJECT TO CHANGE WITHOUT NOTICE FOR FUTHER IMPROVEMENT.
- 3 RESISTANCE VALUES IN Ω 1/4 WATT AND CAPACITANCE IN μF UNLESS OTHERWISE SPECIFIED

GOOD WILL INSTRUMENT CO., LTD.			MODEL NO
DRAWN BY	CHECKED BY	APPROVED BY	DESCRIPTION
			DRAWING NO
			FC-813-5-4

76.10.10 增加 R028
86.6.12 增加 R027
標 4/12



- 1 *ADJUSTED IN FACTORY
- 2 CIRCUITRY ARE SUBJECT TO CHANGE WITHOUT NOTICE FOR FUTHER IMPROVEMENT.
- 3 RESISTANCE VALUES IN Ω 1/4 WATT AND CAPACITANCE IN μ F UNLESS OTHERNISE SPECIFIED

GOOD WILL INSTRUMENT CO., LTD.		
DRAWN BY <i>[Signature]</i>	CHECKED BY <i>[Signature]</i>	APPROVED BY <i>[Signature]</i>

MODEL NO	DESCRIPTION	DRAWING NO
		FG-813-5-5