

# HP 35665A INSTALLATION NOTE

Supersedes 35665-90024

## HP 35665A Memory Upgrade Installation Procedure

### HP Part Number

**35665U opt. 1C1 (Total of 4 MBytes Memory)**

**35665U opt. ANA (Total of 8 MBytes Memory)**

### I. Description

Use this procedure to install your HP 35665U opt. 1C1 or your HP 35665U opt. ANA. The installation procedure requires you to remove the A85 Memory assembly and replace it with the new memory assembly. The procedures are identical for option 1C1 and option ANA. The procedure takes about 30 minutes to complete and should be performed by qualified service personnel only.

### II. Shipping List

The kit consists of this installation note, a rear panel option label, and one PC assembly part number HP 35665-66586 (opt 1C1) or HP 35665-66587 (opt ANA).

### III. Billing

The customer pays all installation costs.

### IV. Tools Required

- Torx driver # T10
- Small posidrive screwdriver
- Large posidrive screwdriver

### V. Installation

These installation instructions are for use by trained service personnel only. To avoid electrical shock, do not perform this installation unless you are qualified to do so.

#### Note



To ensure that your HP 35665A is operating properly, do step VI (Testing Unit Operation) before replacing the memory assembly.

1. Set the power switch to STANDBY (⊖) and remove the analyzer's power cord.
2. Follow the procedures outlined in figures 1 and 2 to remove the top cover.

#### Warning



The following installation procedure requires you to remove the analyzer's top cover. Energy available at many points can, if contacted, result in personal injury.

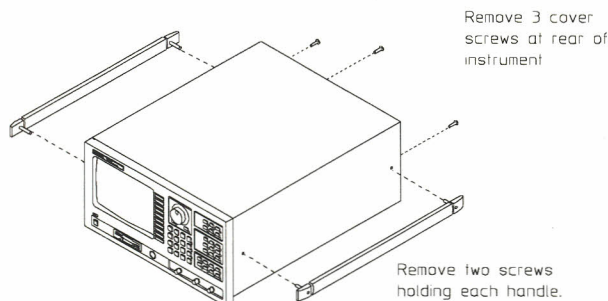


Figure 1

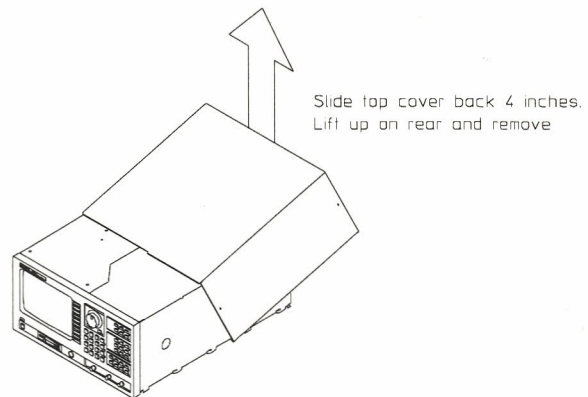


Figure 2

1 of 4

Part Number 35665-90060  
Copyright © 1991, Hewlett-Packard Company  
Printed in U.S.A.



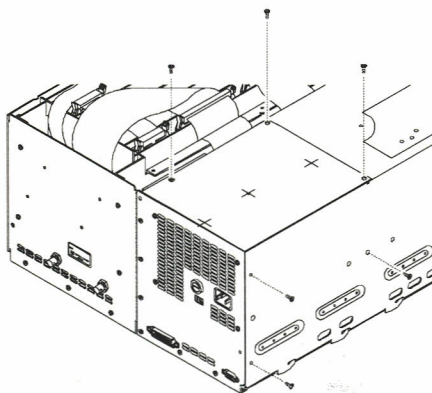
FOR MORE INFORMATION, CALL YOUR LOCAL HP SALES OR SERVICE OFFICE or CALL · East (201) 265-5001 · Midwest (312) 255-9800 · South (404) 955-1500 · West (213) 970-7500 or (415) 968-9200 or WRITE, Hewlett-Packard, 1820 Embarcadero, Palo Alto, California 94303. IN EUROPE, CALL YOUR LOCAL HP SALES OR SERVICE OFFICE or WRITE, Hewlett-Packard S.A., 7, rue du Bois-du-Lan Case Postale 365 CH 1217 Meyrin 1 - Geneva, Switzerland. IN JAPAN, Yokogawa-Hewlett-Packard Ltd., 1-27-15, Yabe Sagamiyara City, Kanagawa Prefecture, Japan 229.

**Caution**

The following must be performed at a static protected workstation to protect circuits from static discharge.

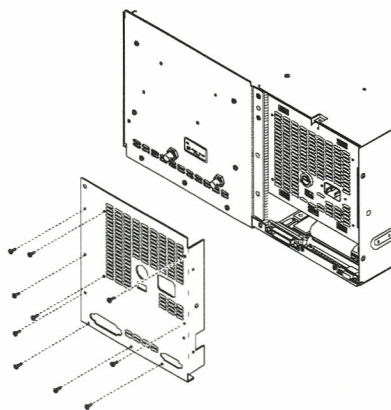
Do not remove the 3 screws that are marked with an X on figure 3. The power supply assembly will be damaged if the center screw is removed.

Do not remove the earth ground (green/ yellow wire) from the power supply assembly or the analyzer's chassis.



**Figure 3**

3. Remove 3 screws from the left side of instrument.
4. Remove 3 screws from the power supply top cover.

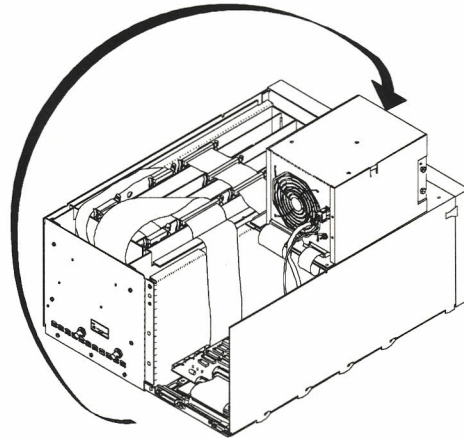


**Figure 4**

5. Remove 10 screws from rear panel ( power supply cover plate).
6. Remove rear panel.

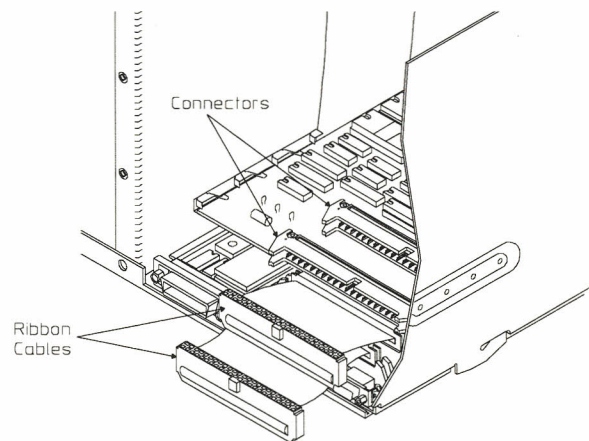
**Note**

Do not remove any cables from power supply unit.



**Figure 5**

7. Carefully lift power supply unit at the rear of instrument and rotate unit to rest on the top of the display.

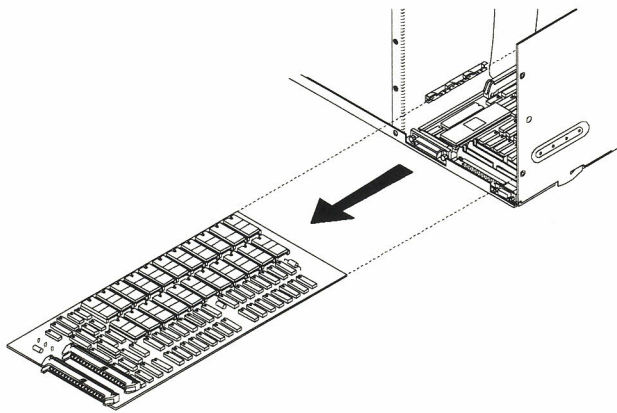


**Figure 6**

8. Remove the two ribbon cables from the existing memory assembly.

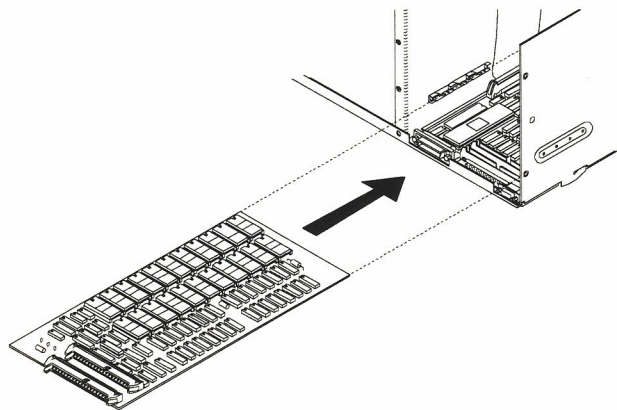


**Note** The Memory assembly is the top PC board.



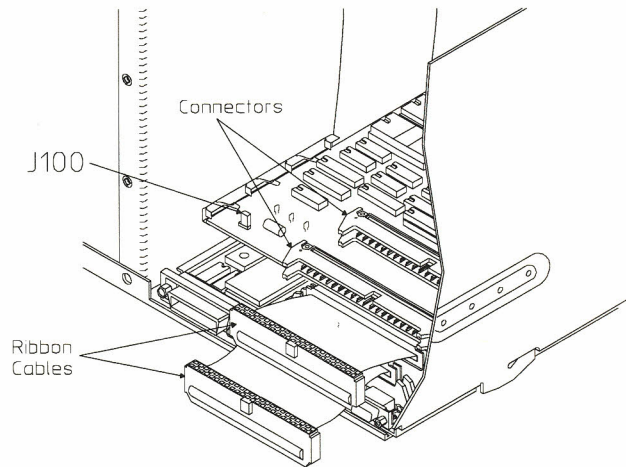
**Figure 7**

9. Rotate the PC assembly pull ring located at the center of the rear board edge.
10. Carefully pull the existing memory assembly out toward the rear of instrument.



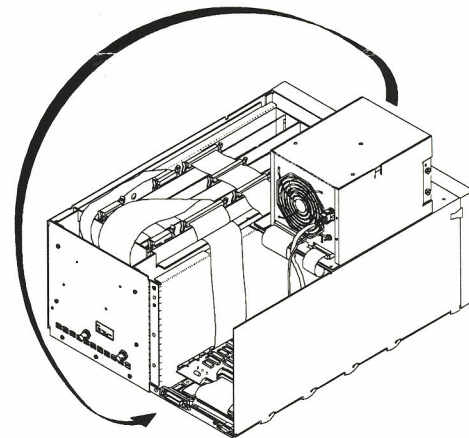
**Figure 8**

11. Carefully insert the new memory assembly into the instrument. Insuring that the board edges are in the copper ground clips and the board is component side up. Be sure to fully seat the memory assembly.



**Figure 9**

12. Connect the two ribbon cables.
13. Insure that jumper J100 located at the left rear corner of the new memory assembly is in the "EN" position.



**Figure 10**

14. Flip power supply over and carefully slide into position.
15. Affix the supplied Options label onto the rear panel, to the right of the Serial Number label.

## VI. Testing Unit Operation

16. Connect the power cord to the HP 35665A.
17. Set the power switch to ON (I).
18. When the power-up test completes, press the HP 35665A keys as follows:

[System Utility]  
[FAULT LOG]  
[CLEAR FAULT LOG]  
[RETURN]  
[SELF TEST]  
[LONG CONF TEST]

The Long Confidence Test runs most analyzer self tests and takes about 30 seconds to complete. It is finished when the analyzer flashes "Long Confidence Test Passed." When the Long Confidence Test completes, press the HP 35665A keys as follows and check for failures:

[TEST LOG]  
[NEXT PAGE]

19. If any of the tests failed, call your HP representative.
20. Set the power switch to STANDBY (⊖) and disconnect the power cord.

## VII. Reassemble the HP 35665A

1. Reverse the procedure in steps 4, 3, 2, and 1, of the installation procedure to secure the power supply module and rear cover.

### Note



All screws removed in the installation procedure should be restarted before any of them are fully seated. This allows some movement of the power supply module to line up the screw holes.

### Warning



When replacing the handle assemblies, be careful to position properly and attach firmly. If improperly attached, the handles could come off when lifting the analyzer, causing personal injury.

2. Replace the top cover. Pulling edges out, place the top cover about 5 inches from the front of the analyzer with the front edge in front of the stop on top of the analyzer. Push down on the top cover while sliding it forward until it snaps into place. The top cover fits under the front panel on all sides.
3. Replace the 3 screws in the rear of the cover, see figure 3.
4. Replace the side handles by screwing in each handle's 2 screws, see figure 1.

This completes the installation of the new Memory board.