

HP Archive

This vintage Hewlett Packard document was preserved
and distributed by

[www. hparchive.com](http://www.hparchive.com)

Please visit us on the web !

On-line curator: Martin Fischer

6960A POWER SUPPLY

OPERATING AND SERVICE MANUAL

HEWLETT  PACKARD



OPERATING AND SERVICE MANUAL



MODEL 6960 A

DC POWER SUPPLY

Serials Prefixed: G 604

Copyright Hewlett-Packard GmbH 1964
7030 Böblingen, Herrenbergerstraße 110, W.-Germany



TABLE OF CONTENTS

<u>Section</u>		<u>Page</u>
I	GENERAL INFORMATION	1-1
	1-1 Introduction	1-1
	1-3 Instrument Identification	1-1
	1-5 General Description	1-1
II	INSTALLATION	2-1
	2-1 Inspection	2-1
	2-3 Power cable	2-1
	2-5 115 V or 230 V Operation	2-1
III	OPERATING INSTRUCTIONS	3-1
	3-1 Operating Controls	3-1
	3-3 Current Limit Control	3-1
	3-5 Connections to Load	3-3
	3-7 Automatic Parallel Operation	3-3
	3-9 Automatic Series Operation	3-3
	3-11 Remote Programming	3-4
	3-13 Remote Sensing	3-4
IV	PRINCIPLES OF OPERATION	4-1
	4-1 Overall Block Diagram	4-1
	4-3 Circuit Description	4-1
V	MAINTENANCE	5-1
	5-1 Introduction	5-1
	5-3 General Maintenance Information	5-1
	5-5 Test Equipment Required	5-1
	5-7 Performance Tests	5-2
	5-9 Detailed Test Procedure	5-5
	5-11 Trouble Shooting	5-8
VI	REPLACEABLE PARTS	6-1
	6-1 Introduction	6-1
	6-4 Ordering Information	6-1

LIST OF ILLUSTRATIONS

<u>Number</u>		<u>Page</u>
1-1	Model 6960A Power Supply	1-1
3-1	Operating Controls	3-2
3-2	Terminal Connections	3-6
4-2	Block Diagram	4-1
5-1	Measuring Line, Load	5-4
	Regulation and Ripple	
5-2	Measuring AC Internal Impedance	5-4
5-3	Recommended Connections at the Power Supply	5-5
5-4	Model 6960 Circuit Diagram	5-9
5-5	Servicing Etched Circuit Boards	5-10

LIST OF TABLES

<u>Number</u>		<u>Page</u>
1-1	Specifications	1-0
5-1	Recommended Test Equipment	5-2
5-2	Trouble Location Chart	5-8
6-2	Reference Designator Index	6-2
6-2	Replaceable Parts	6-5

APPENDICE

Code List of Manufacturers
Manual Changes
Sales Office Locations

TABLE 1-1
SPECIFICATIONS

REGULATED OUTPUT:	2 ranges switched by push button switch 0-18 V/600 mA: Voltage continuously adjustable from 0-18 V dc. 600 mA over entire voltage range. 0-36V/300 mA: Voltage continuously adjustable from 0-36 V dc. 300 mA over entire voltage range.
LOAD REGULATION:	Less than 5 mV change in output voltage over full operating range.
LINE REGULATION:	Less than 5 mV change in output voltage for $\pm 10\%$ power line changes.
RIPPLE AND NOISE:	Less than 150 μ Vrms.
TEMPERATURE STABILITY:	Less than 0.1 % / $^{\circ}$ C.
TEMPERATURE RANGE:	0 to 55 $^{\circ}$ C.
OUTPUT IMPEDANCE:	Less than 0.02 Ω from DC to 1 Kc. Less than 0.5 Ω from 1 Kc to 50 kc.
RECOVERY TIME:	Less than 50 μ s after a change from full load to no load.
METER ACCURACY:	$\pm 5\%$ of full scale. (METERS ON OPTION OI ONLY)
OVERLOAD PROTECTION:	Output current limiter continuously variable from 80 to 600 mA on 0-18 V range, 40 to 300 mA on 0-36 V range.
OUTPUT TERMINALS:	Three banana jacks spaced 3/4 inch apart. Positive and negative terminals are isolated from chassis. A maximum of 400 V may be connected between ground and either output terminal.
REMOTE PROGRAMMING:	About 200 Ω /V external resistance applied to rear-mounted terminals.
POWER:	110/220 V $\pm 10\%$, 50 to 60 cps, 40 watts. 115/230 V $\pm 10\%$, 50 to 60 cps, 40 watts.
DIMENSIONS:	6-3/32 inches (155 mm) high, 5-1/8 inches (130 mm) wide, 11 inches (279 mm) deep.
WEIGHT:	Shipping 10 lbs (4.6 kg)

SECTION I GENERAL INFORMATION

1-1 Introduction

1-2 This is an operating and service manual for the Model 6960 A DC Power Supply. This manual is applicable only to instruments with the prefix number shown on the title page except as modified by change sheets.

1-3 Instrument Identification

1-4 Hewlett-Packard instruments use a two-section, eight-digit serial number, that is, 000-00000. The first three digits are an identification number; the last five digits are the instrument serial number. If the identification number on the instrument does not agree with the identification number shown on the manual title page, there are differences between the manual and instrument. These differences are described in manual change sheets having the proper identification number.

1-5 General Description

1-6 The -hp- Model 6960A DC power supply produces a regulated DC voltage continuously adjustable from 0 to 36 V up to a current of 300 mA, or from 0 to 18 V up to a current of 600 mA, according to which range has been selected by means of the front panel push buttons. The supply makes load circuit performance independent of external power supply influences, has very low source impedance and excellent regulation against change in line and load.

This supply is especially useful as a source of power for transistor circuits because it features a protective circuit which electronically limits the maximum output

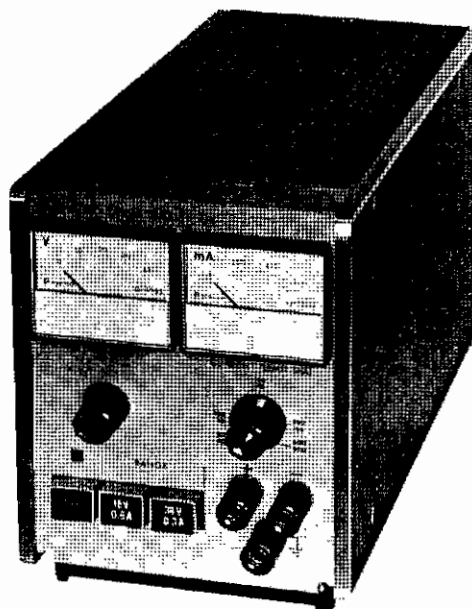


Fig. 1-1 Model 6960A Power Supply

current to values selected by a front panel control. Accidental damaging of expensive components by excessive current can thus be reduced to a minimum, if the CURRENT LIMIT control is set to a value just above the normal operating current of the external circuit. Another important application of the Model 6960A Power Supply is in electronic test systems where various fixed voltages have to be produced sequentially with a high degree of reproducibility. This can be achieved because the output voltage of this supply may be programmed by an externally connected fixed resistor or a series of same. The output voltage will then be proportional to the value of this resistor; changing the resistor in predetermined steps will have corresponding effects on the output voltage.

Both output terminals of the power supply are insulated from chassis ground. Either terminal may be grounded as high as 400 V from ground. It is therefore possible to connect a number of supplies in series to obtain higher voltages than 36 V.

If more current than 600 mA is needed, there is the possibility of operating several power supplies in parallel.

Remote sensing can be used for minimizing the effect of supply lead resistance and thus providing an exactly regulated voltage at the supplied circuit regardless of lead length.

SECTION II INSTALLATION

2-1 Inspection

- 2-2 When the Model 6960A is received, inspect it for damage received in transit. Operate the instrument to make certain that it is functioning satisfactorily. If damage is evident, follow the procedures outlined in the "CLAIM FOR DAMAGE IN SHIPMENT" page of this manual (inside rear cover).

2-3 Power cable

- 2-4 The three conductor power cable supplied with the instrument is terminated in a three connector male power plug recommended by the VDE (Verein Deutscher Elektrotechniker).

WARNING

The third conductor grounds the instrument cabinet for the PROTECTION OF OPERATING PERSONNEL. If a two connector line power receptacle is used, the instrument cabinet should be grounded externally.

2-5 115 V or 230 V Operation

- 2-6 The instrument is designed to work from 110, 115 or 220, 230 volts $\pm 10\%$ line voltage. It is shipped from the factory wired for operation from a 110 V or 220 V source. It may be re-wired for operation from a 115 V or 230 V line by changing connection on transformer T1 from 4 A to 4 and from 2 A to 2 (see Figure 5-4). To operate from 220 V (230 V) line, set the slide switch on the rear panel to 230 V, to operate from 110 V (115 V), set the slide switch to 115 V. Fuse F1 should be 0.4 A slow blow for 220 V (230 V) and 0.8 slow blow for 110 V (115 V).

SECTION III

OPERATING INSTRUCTIONS

3-1 Operating Controls

Figure 3-1 shows the functions of the front panel controls and terminals and is self-explanatory.

- 3-2 To turn the instrument on, push in either of the range buttons, according to the voltage and current which is desired. Accidental setting of both buttons, 18 V and 36 V, will cause no damage to the unit; in this case the instrument has been switched to the 36 V – 300 mA range. Pushing in the button marked OFF turns the instrument off.

3-3 Current Limit Control

- 3-4 This knob adjusts the peak current output of the supply. The indication is nominal. To set the value exactly, remove the load and short the power supply terminals. Adjust the CURRENT LIMIT control until the meter indicates the required maximum current.

If the supply is to be used in an application where the current drawn from the instrument is not essentially uniform with respect to time, e.g. in pulse type circuits, then the fast acting character of the current limiting circuit must be taken into consideration. The average current may be within the supply rating or below the maximum current set with the CURRENT LIMIT control, but peak currents may be high enough to cause the supply to clip. The CURRENT LIMIT control must, consequently, be set to a value which is greater than the peak current requirements of the circuit.

The output terminals are connected internally to a 200 μ F capacitor which helps supply high current peaks, provided they are of short duration. Any external capacity added will improve the peak current capability, but will decrease the safety provided by the current limit control. High range currents may then destroy external components before the average current inside the supply increases sufficiently to cause the limiting circuit to operate.

METER INDICATES OUTPUT VOLTAGE

METER INDICATES OUTPUT CURRENT

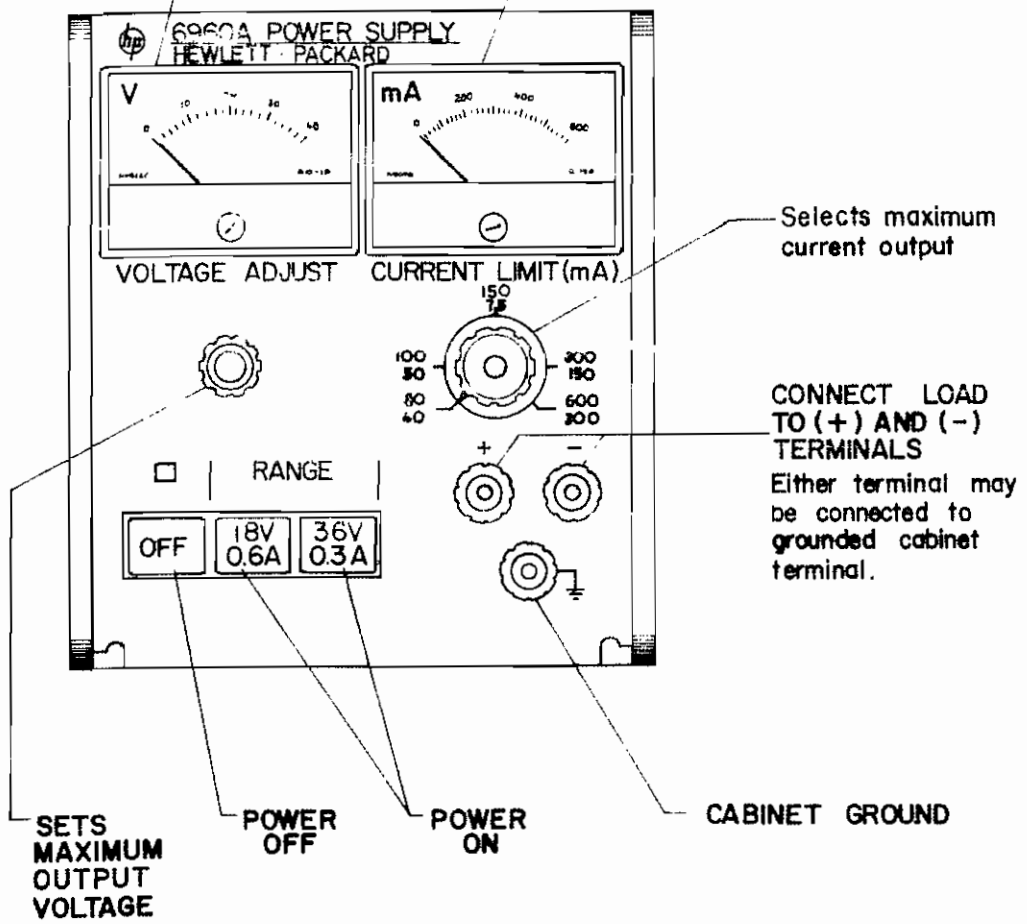


Fig. 3-1 Operating Controls

3-5 Connections to Load

- 3-6 The load may be connected to either the front or rear output terminals of the power supply as shipped from the factory. Sensing of the output voltage is automatically accomplished in both modes of operation.

The user should realize that the specifications describing the electrical characteristics of the power supply are given for measurements made directly at the terminals. Long leads between instrument and load deteriorate load regulation, which can only be maintained within the specifications of the power supply by using remote sensing as described later in this section of the manual.

3-7 Automatic Parallel Operation

- 3-8 Automatic parallel operation as used here is defined as a parallel operation of two or more power supplies with one unit (the master) acting as a control unit and the additional units (the slaves) acting as controlled units, where each supply automatically provides an equal share of current. Each Model 6960A can be used as master or slave unit.

The connections of the supplies have to be made in accordance with Fig. 3-2 C.

NOTE

All units must operate on the same voltage range (0-18V or 0-36V) !

Turn on the master unit first, then the slave units. Each supply will share the load current and the master unit will automatically limit the voltage and the current for all units.

Each slave unit still maintains its own short circuit protection and should be set to a current limit slightly greater than the maximum current set on the master unit. If the slave unit was set to a current limit slightly greater than the master unit and if the slave unit was turned on first, the equipment under test might be damaged by excessive current before the master unit was turned on and took over the current control.

3-9 Automatic Series Operation

- 3-10 Two or more supplies may be operated in series to obtain a higher voltage than that obtainable from a single supply. One unit (the master) acts as a control unit, which controls the additional units (the slaves). The master will set the total output voltage with each unit contributing the same amount of voltage. Any Model 6960A may be used as master or slave unit.

Connect the output terminals of the units so that the two terminals of the master are the most negative of all. The arrangements of interunit connections are shown in Fig. 3-2 b for two units and in Fig. 3-2 d for three or more units. The connection between -S of the master and A 2, A 3 of the first slave has to be done by means of a 10 K Ω /0.5 W resistor.

Prior to turn on set the VOLTAGE ADJUST control on the master unit fully counterclockwise and the ones on all slave units fully clockwise. Then turn on all units and adjust the master unit to the desired voltage. If the slave units do not track the master unit, turn off all instruments and recheck your connections.

For minimum ripple across connected outputs, add a 5 μ F (or larger) / 50 V electrolytic capacitor from +S to A2 terminals on all slave units. All instruments must be operated on the same range. Do not connect more than ten units in series to avoid exceeding the 400V rating from +or - output terminals to chassis.

3-11 Remote Programming

3-12 The output voltage of Model 6960A may be changed by actuating the front panel VOLTAGE ADJUST control or by changing the value of the external programming resistor. If a number of Model 6960A's are connected in series or parallel, all units can be controlled by changing the programming resistor attached to the master unit only. Thus the output voltage may be programmed remotely by using stepping switches to change the value of the external resistor in accordance with a programmed procedure.

The connections on the rear terminal strip, shown in Fig. 3-2 e have only to be performed on the master unit. Then the output voltage will vary linearly with the programming resistor at a rate of approximately 200 Ω /V, that means, a 200 Ω resistor will give 1 V output, a 400 Ω resistor 2V output, etc.

When using a switch to change the programming resistance while the instrument is on, be sure to use a shorting contact type switch to keep the voltage of the supply from rising while switching. If the programming circuit is opened, even momentarily, the voltage from the supply will rise. This switching transient may damage the circuit under test.

3-13 Remote Sensing

When the rear terminals of the instrument are connected in the normal fashion, the voltage for regulation control (sensing voltage) is taken from the output of the supply at the front panel. This is not always the best point to obtain this voltage, because there may be a voltage drop in the supply leads between the load and the supply.

To get around this effect, a separate set of terminals for the sensing voltage (+S and -S) are provided on the rear of the instrument. These terminals permit a separate pair of leads to connect at the load to supply the sensing voltage. The leads carry no load current but are inside the regulation loop of the amplifier.

To use remote sensing, run a separate set of leads from the load to the sensing terminals. These leads do not need to be as heavy as the supply leads but they must be protected against hum pickup. Run either twisted pair open wire leads

or shielded leads if hum pickup is severe. Connect the leads to the sensing terminals +S and -S on the rear of the instrument. At the load, attach these leads across the load. Remove the shorting link between (-) and (-S) and (+) and (+S).

CAUTION

Do not operate the instrument with the sensing leads open. Be sure to observe polarity when making these connections. Wrong connections may damage the supply.

If the instrument is operated in this manner, the maximum output current decreases at a rate of approximately 8% per every 100 M Ω of resistance in the minus load lead.

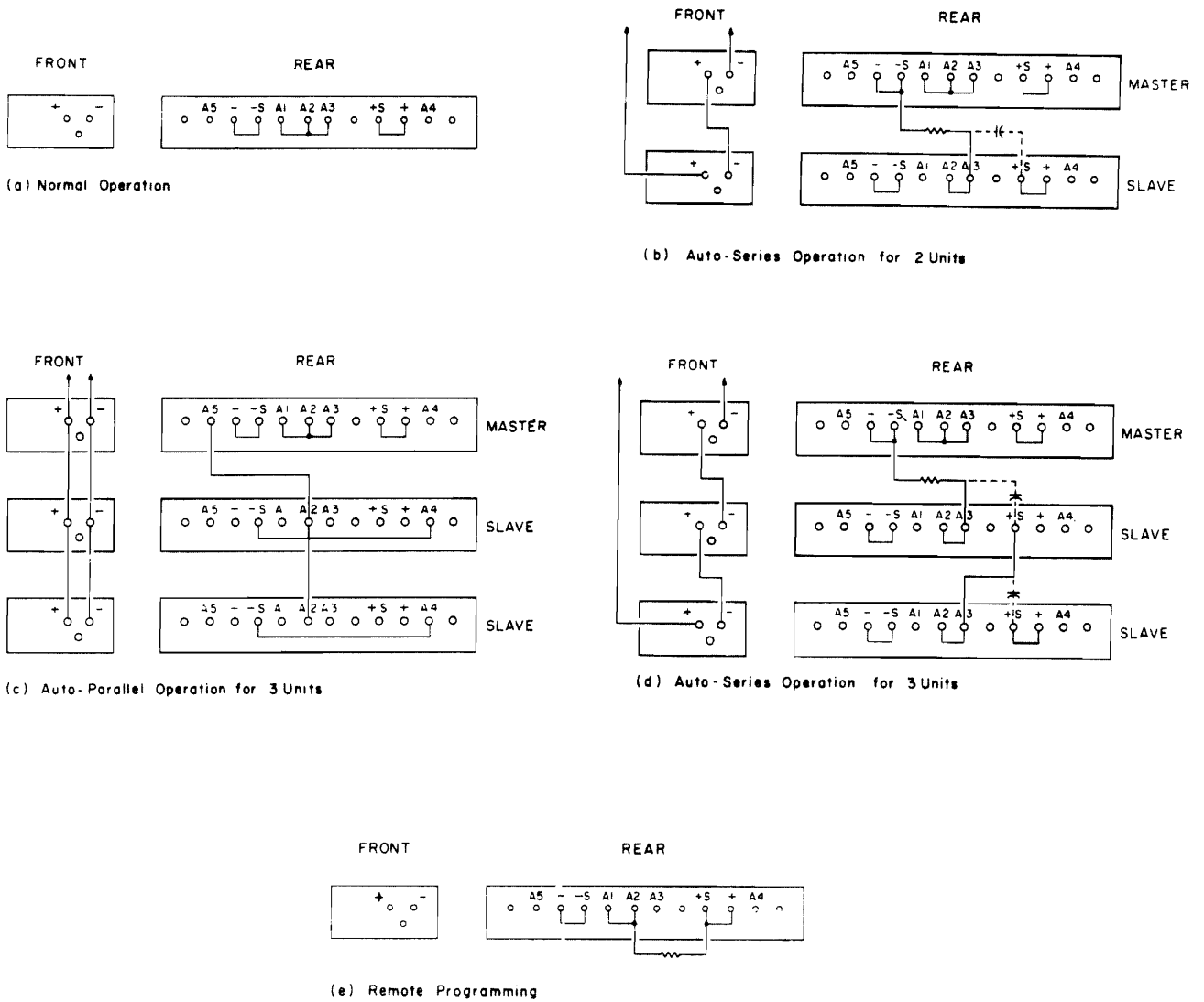


Figure 3-2 Terminal Connections

SECTION IV
PRINCIPLES OF OPERATION

4-1 Overall Block Diagram

4-2 As shown in Figure 4-1 the power transformer feeds two fullwave rectifiers. The rectified AC is filtered and controlled by a series regulator. The two built in series regulators can be operated either in series or parallel depending upon the selected range of the push button switch and are controlled from the error amplifier monitoring the output voltage of the supply.

The voltage monitoring error amplifier senses any change in the output voltage compared to a reference voltage. The output of the amplifier causes the resistance of the series regulator to be varied in such a way as to keep the output voltage constant. The programming current, determined by the reference voltage and the series resistor R 35, flows mainly through the VOLTAGE ADJUST potentiometer R 40. The product of the programming current and the value of R 40 equals the output voltage.

4-3 Circuit Description

4-4 The schematic diagram (Fig 5-4) shows all details of the circuit. Power transformer is shown to consist of three secondary windings of which the upper two are the main sources of DC power, while the lower supplies the reference and auxiliary voltage circuit. Rectifier bridges CR 3 to CR 6 and CR 7 to CR 10 are coupled by R 1. Filtering is provided by capacitors C2 and C3. Resistors

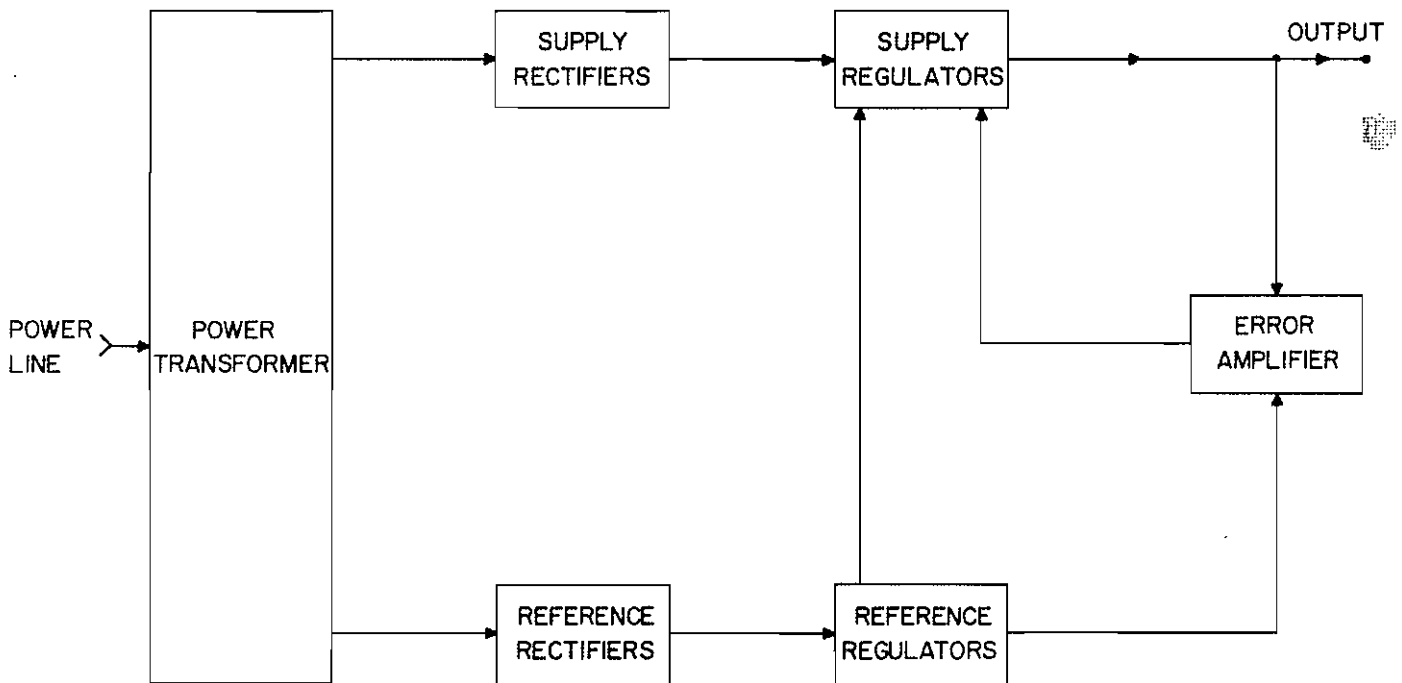


Fig. 4 - 1 Block Diagram

R 3 and R 4 allow a current flow through the rectifier bridges even when no output current is drawn from the instrument. Series regulators Q 1 and Q 2 act as variable resistors determining output voltage and current. The output current from one regulator is monitored by the resistor combinations R 39 B, R 9 and R 8, while R 39 A, R 9 and R 10 monitor the current from the other regulator. The voltage drop across these resistors is applied to the emitter of Q 5. When this potential exceeds a distinct value determined by R 39 A and B and the load current, transistor Q 5 is caused to clip. From then on Q 5 holds the base voltage and hence the emitter voltage of Q 1 through CR 13 and voltage amplifier Q 3, thus preventing any further increase in the load current. Voltage divider R 5, R 6 adjust the base-emitter voltage of transistor Q 2 if the power supply is driven in the 36 V / 300 mA range. The ammeter (M 1) indicates the output current by measuring the voltage across R 22 and the voltmeter M 2 indicates directly the output voltage of the power supply.

The voltage error amplifier consists of the two transistors Q 7 and Q 8 besides Q 3. In the constant voltage mode changes in the output voltage due to changes in load or line voltage are amplified and applied to the base of Q 1 in such a way as to keep the output voltage constant. R 23 is used to adjust the positive feedback from the collector of Q 8 to the base of Q 7. A proper adjustment of this feedback will result in no output voltage change when the load current is changed from no load to full load. It can even be adjusted to yield a negative output resistance, i. e., when a load is applied, the output voltage increases rather than decreases. Normally, this is adjusted to give zero output resistance and not a negative resistance.

CR 14 and CR 13 are disconnecting diodes. In the constant voltage mode CR 13 is closed, CR 14 open, so that the current error amplifier is out of circuit. In the constant current operation CR 13 will be automatically opened and CR 14 will be closed to isolate the voltage error amplifier.

The reference supply consists of a complete feedback amplifier, Q 4 and Q 6. The reference voltage itself is controlled by zener diodes CR 20 and CR 21, which also stabilizes the negative auxiliary voltages. R 41 helps to supply the thermal stability of the base potential of transistor Q 5. Manufacturing tolerances of CR 21 are compensated by factory adjustment of R 27 by means of shunt resistor R 38. The value of R 17 allows current changes proportional to line voltage changes. These current changes compensate possible variations of the current through CR 21 with line voltage variation and minimize changes in output voltage.

SECTION V MAINTENANCE

5-1 Introduction

5-2 This section contains maintenance and service information for the Model 6960 A Power Supply. A performance check can be made with the instrument in its cabinet and is a good test as part of prevention maintenance and incoming quality control inspection.

5-3 General Maintenance Information

5-4 The power supply has no parts which have a definite limited life. The instrument should operate indefinitely with no routine maintenance. If any parts are replaced you should recheck the settings of R 7, R 10 (maximum short circuit current), R 23 (load regulation) and, if necessary, R 20 and R 21 (meter adjusts). Variations among parts may make it necessary to readjust the controls slightly. Reseal the controls with adhesive or paint after adjustment, otherwise the setting will change with shock and vibration.

A list of possible troubles and the probable cause are tabulated in paragraph 5-12. In each case curing the trouble involves replacing the defective parts. Be careful when soldering on the etched circuit board. You can cause damage by excessive heat or improper technique.

5-5 Test Equipment Required

5-6 Test equipment required to test this instrument is listed in table 5-1. The necessary specifications required to obtain reliable test results are listed so that other equipment with equivalent specifications may be used.

Table 5-1 Recommended Test Equipment

Instrument Type	Required Characteristics	Use	Instrument Recommended
AC Voltmeter	Accuracy $\pm 3\%$ Floating input	Measure ripple	Ⓢ Model 403B
DC Volt-Ammeter	Accuracy $\pm 1\%$ Voltage $\pm 2\%$ Current	Measure voltage and current	Ⓢ Model 412A
Oscillator	100 Hz to 100 kHz Distortion 0.5 %	Measure internal impedance	Ⓢ Model 200C or Ⓢ Model 202C
Variable Transformer	Monitormeter 1 volt resolution and 1 % accuracy	Change AC input voltage	Any available variable transformer with monitoring meter
Load Resistor	Variable Resistor 150 Ω 50W	Load for measuring ripple, regulation etc.	Any resistor or combination of fixed resistors
Differential Voltmeter	10 mV-range necessary	Measure load and line regulation	Ⓢ Model 740A

5-7 Performance Test

5-8 Before attempting to trouble shoot this instrument make sure the fault is with the instrument and not with the associated circuit under test. The performance test will enable you to determine this without having to remove this instrument from the cabinet. Be sure to perform this test before disturbing any of the internal adjustments of the instrument. This test may also be used as an incoming inspection test to make sure the instrument has not been damaged in shipment, for periodic maintenance or to check operation of the instrument after repairs.

a) Voltage Range.

An external DC-Voltmeter having an accuracy of 1 % or better, i.g. the Ⓢ Model 412A, is connected across the output terminals. The Model 6960A under test is to be operated in the 36V-300 mA range. Turn the VOLTAGE ADJUST clockwise until the 412A indicates 36V output. The knob must have been turned more than 180 degrees. Turn the VOLTAGE ADJUST fully counterclockwise. Output voltage should go through zero to between 2 and 100 mV negative.

b) Current Limiting.

Switch off Model 6960A under test and connect the Model 412A with the current range across the output terminals. Turn the CURRENT LIMIT fully clockwise. VOLTAGE ADJUST should be in a mid range position. Push the buttons 18 V-0.6 A or 36-0.3 A and wait 15 minutes. When the instrument has warmed up measure the maximum short circuit current in both ranges. The 412A should read about 340 mA in the 36V range and 680 mA in the 18 V range.

c) Ripple.

Attach the load resistor for 18 V and 0.6 A to the output terminals and adjust the output voltage and current to these ratings. Connect the floating input of AC-Voltmeter 403B (or equivalent) ungrounded AC-voltmeter to the output terminals. The readout of the 403B should not exceed 150 μ V. In the 36 V-0.3 A range the same result should appear.

d) Load regulation.

For the connections, refer to block diagram in Figure 5-1. If the load is switched off and on the output voltage change in both ranges should not exceed 5 mV. The "internal resistance" of the power supply under test should be positive, that is, with load off the output voltage should be higher than with load on.

If you lack a good differential voltmeter, take a second Model 6960A or another constant voltage source and compare the output voltage changes to the power supply under test using a sensitive DC-voltmeter like the Φ Model 412A or Φ Model 425 A.

e) Line regulation.

Take the same connections as in paragraph 5-8d, change the line voltage of the Model 6960A under test by means of a variable line transformer between 198 V and 242 V. The change in output voltage should not exceed 5 mV on both ranges.

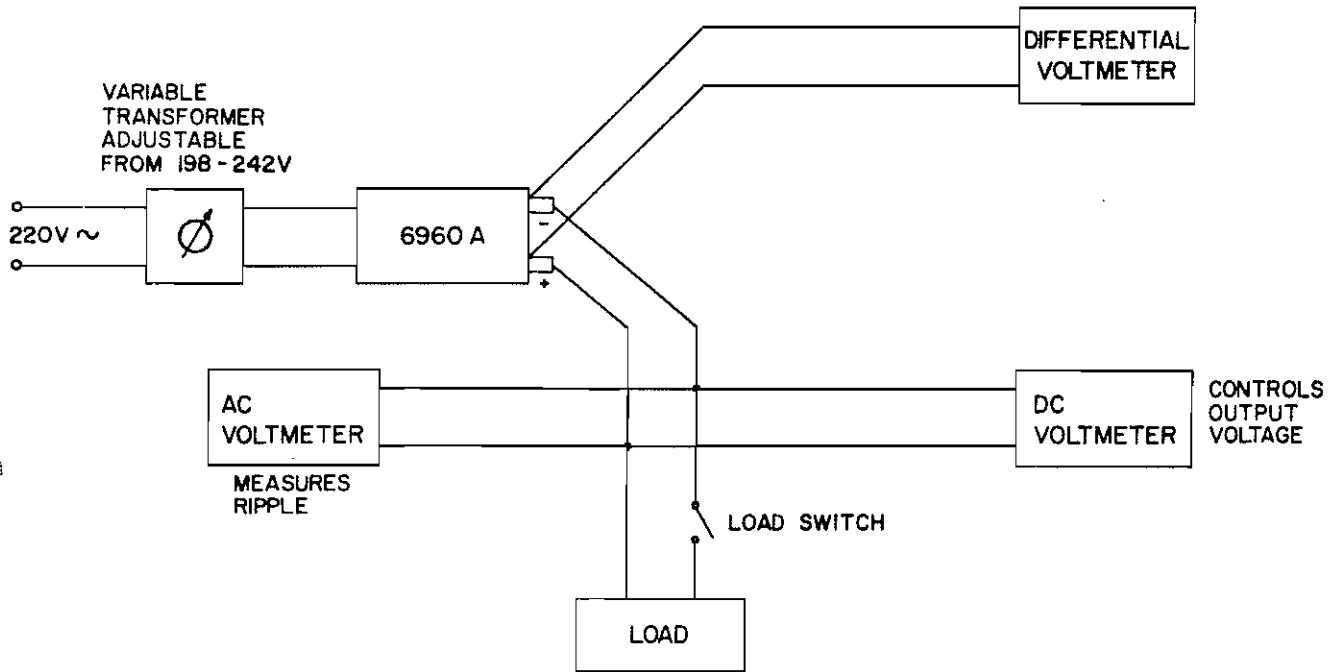


Fig. 5-1 Measuring Line, Load Regulation and Ripple

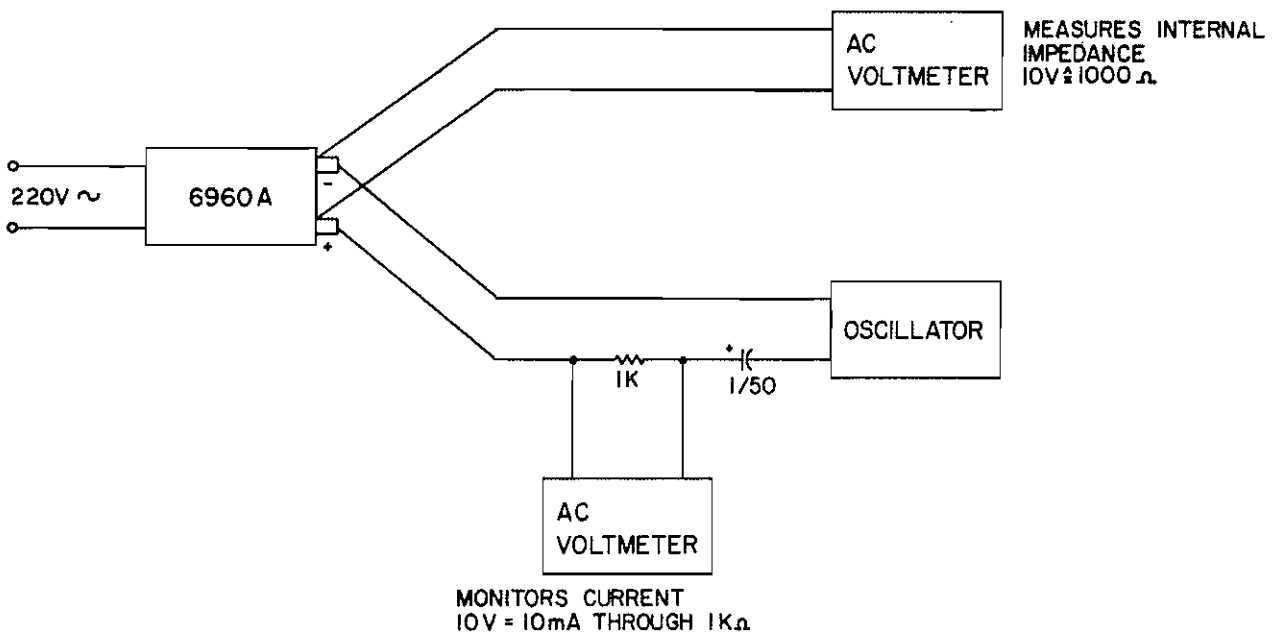


Fig. 5-2 Measuring AC Internal Impedance

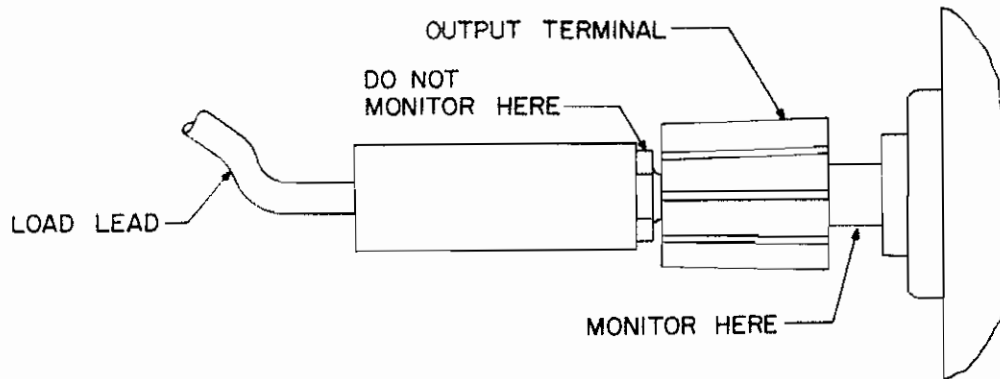


Fig. 5-3 Recommended Connection at the Power Supply

f) AC Internal Impedance.

Make your connections according to the block diagram in Figure 5-2. This measurement is made by driving a constant 10 mA alternating current through the power supply and measuring the voltage drop across the output terminals. The internal impedance can be easily calculated by Ohm's law.

By checking the internal impedance you should consider that the power supply's ripple and noise add to the voltmeter reading. For performing very exact measurements you have to filter out all ripple and noise voltages up to a frequency of about 500 cycles or to use a sensitive wave analyser.

Also take care to prevent stray ground loops which make impossible reliable measurement of internal impedance.

Up to 1 Kc the internal resistance of the Model 6960 A should be below 0.02Ω
 1 Kc up to 50 Kc below 0.5Ω .

5-9 Detailed Test Procedure

5-10 The following test procedure should be performed only after the performance test has shown that this instrument is faulty. Do not perform this procedure as an incoming inspection or proof of performance check. The following test procedure contains extra checks to help you analyze the troubles in this instrument. These extra checks and the data they contain cannot be considered as specifications.

Because of internal adjustment or even possible replacement of components, top, bottom, and the side covers may have to be removed. Make sure that the ac fuse is inserted in the fuse holder. The VOLTAGE ADJUST on the front panel should be in a mid-range position, the CURRENT LIMIT control turned fully clockwise. Use

an ohmmeter, e.g. Ⓢ Model 412A, to make certain the negative output terminal, the positive output terminal, and the collectors of Q 1 and Q 2 are not grounded.

Now switch the Model 6960A on. Vary the output voltage in both voltage ranges with the VOLTAGE ADJUST to be sure that the voltage control is operative.

a) Meter Zero Set.

When the instrument is at normal operating temperature and then switched off, the meter pointers must rest on the zero calibration mark of the meter scale. If they are outside the zero mark, adjust the them as follows:

After turning off the instrument wait two minutes for power supply capacitors to discharge completely. Rotate adjustment screw below the meter scale clockwise until the meter pointer is to the left of zero and farther clockwise rotation will move the pointer upscale towards zero.

Turn the adjustment screw clockwise until the pointer is exactly over the zero mark on the scale. If the screw is turned too far repeat the procedure.

Turn meter adjustment screw slightly counterclockwise to break contact between adjustment screw and pointer mounting yoke, but not far enough to move the pointer downscale. If screw is turned too far, as shown by needle movement, repeat the procedure.

b) Volt Meter and Ammeter Calibration.

Set the output to exactly 36 V controlled by an external dc voltmeter which has better than 1 % full scale error, i.g. Ⓢ Model 412A. Adjust the built-in voltmeter to exactly 36 V by means of variable resistor R 20. Switch the Model 6960A under test into the 18 V-0.6 A range and bring the output current to exactly 600 mA, controlled by an external dc ammeter like the Ⓢ Model 412A. Adjust variable resistor R 21 so the front panel ammeter reads exactly 600 mA.

c) Maximum Short Circuit Current.

The short circuit current can be measured either by measuring the voltage drop across a $1\ \Omega$ precision resistor between the output terminals or by switching off the instrument and connecting the current leads of the model 412A across the output terminals and turning on the Model 6960A. The CURRENT LIMIT control must be set fully clockwise.

The maximum rating of short circuit current should be 360 mA or 720 mA respectively; the minimum ratings are 330 mA or 660 mA. The nominal and factory adjusted values are 340 mA and 680 mA. These ratings should be adjusted as follows, if the short circuit current turns out to be too high or too low.

At first select the 36 V-0.3 A range and adjust short circuit current by changing the position of R 7 to 340 mA. Then switch the power supply into the 18V-0.6 A range and adjust short circuit current with R 10 to 680 mA.

Caution: Do not allow current ratings of more than 400 mA to flow through either of the series regulators. This may destroy the series regulators Q 1 and Q 2 !

Attention: Before performing this adjust, the instrument has to be warmed up to its normal operating temperature.

d) Ripple.

Measure ripple according to paragraph 5-8 c. Change the line voltage of the power supply between 198 V and 242 V. Within the whole range the ripple voltage should not exceed $150 \mu\text{V}_{\text{eff}}$. If there is a gradual rise of ripple over $150 \mu\text{V}_{\text{rms}}$ while decreasing the line voltage towards 198 V, transistor Q 6 has stopped working. Remove R 38 and replace it with a decade resistance. Vary the input line voltage between 198 V and 242 V and adjust the decade so that in the whole range the ripple voltage remains below $150 \mu\text{V}_{\text{rms}}$. At the same time check the voltage between minus lead of capacitor C1 and -S. It should read $-14\text{V} \pm 2\%$, otherwise transistor Q 4 will not regulate properly. Replace the decade value with a fixed resistor of equal value.

e) Load Regulation.

For measuring circuit refer to paragraph 5-8 d. If the output voltage change is greater than 5 mV while switching the load off and on, adjust resistor R 23 so that the change is within the specification. After setting R 23 turn the VOLTAGE ADJUST knob fully counterclockwise. A dc voltmeter across the output terminals of the power supply must indicate a negative voltage between -2 mV and -100 mV.

f) Line Regulation.

If the adjustment described in paragraph 5-10 d has been done carefully the output voltage change caused by input line voltage changes should normally be within the specification. If there are, nevertheless, excessive changes, remove R 37 and replace it with a decade resistance. The decade is adjusted so the change of output voltage lies within specification. Replace the decade with a fixed resistor of equal value.

5-11 Troubleshooting

5-12 Components within Hewlett-Packard instruments are conservatively operated to provide maximum instrument reliability. In spite of this, parts within an instrument may fail. In this case a systematic approach can greatly simplify and thereby speed up the repair.

CAUTION

Be careful not to short voltages across the transistors, small bias changes may ruin a transistor due to excessive dissipation. Be sure to turn the instrument off before doing any soldering.

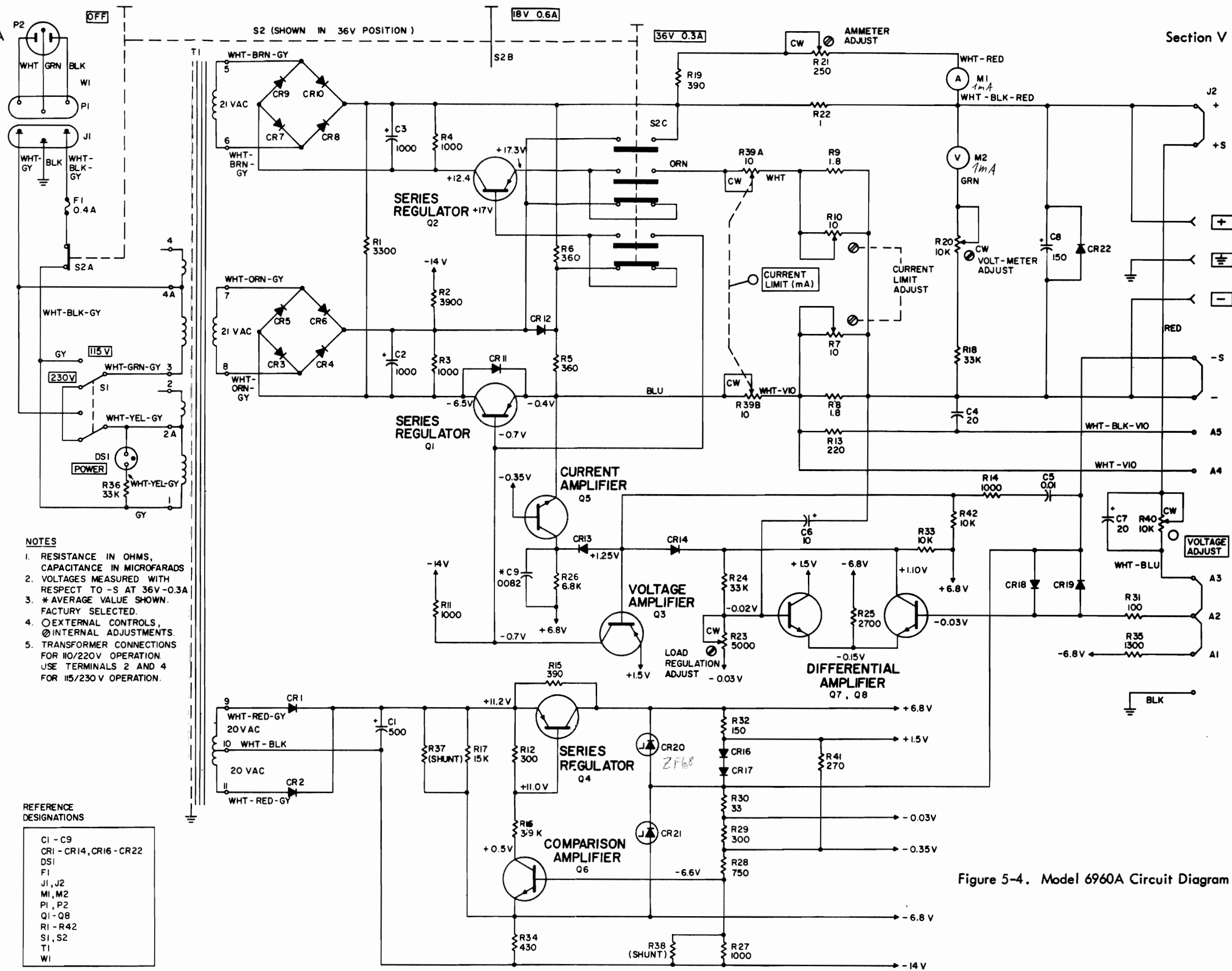
If there is no voltage throughout the instrument check the fuse and primary transformer circuit. Transistors Q 1 and Q 2 should have a voltage drop of about 5 to 6 V across them. If the pilot lamp is on but the dc output shows no voltage or excessive voltage with high ripple check all voltages produced by the auxiliary and reference voltage supply. These voltages should be at ratings shown in the schematic diagram and should not exhibit significant changes while varying the input line voltage. If all of these voltages are operating properly the trouble lies in the amplifier loop. Check each transistor of the amplifier, including the diodes CR 13 and CR 14 as well as the front panel potentiometer R 40 (VOLTAGE ADJUST).

Some symptoms indicate, with high degree of probability that certain components may be faulty. Refer to the trouble localization chart below.

Table 5-2 Trouble Localisation chart

Symptom	Check
Blown Line fuse	Primary circuit of T 1 T 1 itself, CR 1 to CR 10 C 1 to C 3.
Either 18 V or 36 V range only is working properly	Push button switch
Excessive short circuit current Poor current limiting.	R 7, R 10, R 39 AB, Q 5
Poor stability of output voltage	CR 20, CR 21, R 40
Poor load regulation	Q 8, Q 7, CR 14, Q 3
Poor line regulation	CR 21, Q 6, Q 4

After replacing faulty components carry out the performance test according to paragraph 5-7 and, if necessary, the adjustment procedure according to paragraph 5-9.



- NOTES**
1. RESISTANCE IN OHMS, CAPACITANCE IN MICROFARADS
 2. VOLTAGES MEASURED WITH RESPECT TO -S AT 36V-0.3A
 3. * AVERAGE VALUE SHOWN. FACTORY SELECTED.
 4. ○ EXTERNAL CONTROLS, ⊙ INTERNAL ADJUSTMENTS.
 5. TRANSFORMER CONNECTIONS FOR 110/220V OPERATION. USE TERMINALS 2 AND 4 FOR 115/230 V OPERATION.

REFERENCE DESIGNATIONS

CI - C9
CR1 - CR14, CR16 - CR22
DS1
F1
J1, J2
M1, M2
P1, P2
Q1 - Q8
R1 - R42
S1, S2
T1
WI

Figure 5-4. Model 6960A Circuit Diagram

SERVICING ETCHED CIRCUIT BOARDS

Excessive heat or pressure can lift the copper strip from the board. Avoid damage by using a low power soldering iron (50 watts maximum) and following these instructions. Copper that lifts off the board should be cemented in place with a quick drying acetate base cement having good electrical insulating properties.

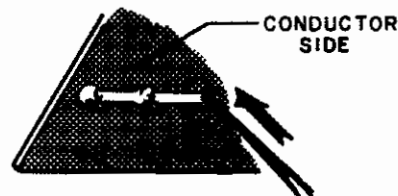
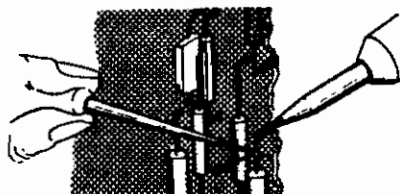
A break in the copper should be repaired by soldering a short length of tinned copper wire across the break.

Use only high quality rosin core solder when repairing etched circuit boards. NEVER USE PASTE FLUX. After soldering, clean off any excess flux and coat the repaired area with a high quality electrical varnish or lacquer.

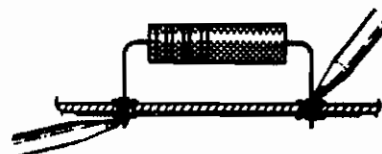
When replacing components with multiple mounting pins such as tube sockets, electrolytic capacitors, and potentiometers, it will be necessary to lift each pin slightly, working around the components several times until it is free.

WARNING: If the specific instructions outlined in the steps below regarding etched circuit boards without eyelets are not followed, extensive damage to the etched circuit board will result.

1. Apply heat sparingly to lead of component to be replaced. If lead of component passes through an eyelet in the circuit board, apply heat on component side of board. If lead of component does not pass through an eyelet, apply heat to conductor side of board.
2. Reheat solder in vacant eyelet and quickly insert a small awl to clean inside of hole. If hole does not have an eyelet, insert awl or a #57 drill from conductor side of board.

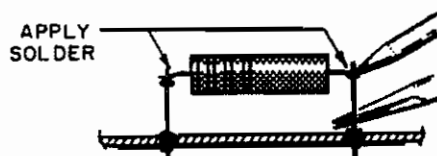
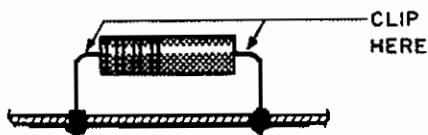


3. Bend clean tinned leads on new part and carefully insert through eyelets or holes in board.
4. Hold part against board (avoid overheating) and solder leads. Apply heat to component leads on correct side of board as explained in step 1.



In the event that either the circuit board has been damaged or the conventional method is impractical, use method shown below. This is especially applicable for circuit boards without eyelets.

1. Clip lead as shown below.
2. Bend protruding leads upward. Bend lead of new component around protruding lead. Apply solder using a pair of long nose pliers as a heat sink.



This procedure is used in the field only as an alternate means of repair. It is not used within the factory.

SECTION VI REPLACEABLE PARTS

6-1. INTRODUCTION.

6-2. This section contains information for ordering replacement parts. Table 6-1 lists parts in alpha-numerical order of their reference designations and indicates the description and $\frac{1}{2}$ stock number of each part, together with any applicable notes. Table 6-2 lists parts in alpha-numerical order of their $\frac{1}{2}$ stock number and provides the following information on each part.

- a. Description of the part (see list of abbreviations below).
- b. Typical manufacturer of the part in a five-digit code, see list of manufacturers in Table 6-3.
- c. Manufacturer's part number.
- d. Total quantity used in the instrument (TQ column).

6-3. Miscellaneous parts are listed at the end of Table 6-1.

6-4. ORDERING INFORMATION.

6-5. To order a replacement part, address order or inquiry to your local Hewlett-Packard Field Office (see maps at rear of this manual for addresses).

6-6. Specify the following information for each part:

- a. Model and complete serial number of instrument.
- b. Hewlett-Packard stock number.
- c. Circuit reference designation.
- d. Description.

6-7. To order a part not listed in Tables 6-1 and 6-2, give a complete description of the part and include its function and location.

REFERENCE DESIGNATORS

A	= assembly	E	= misc electronic part	MP	= mechanical part	FB	= terminal board
B	= motor	F	= fuse	P	= plug	TP	= test point
C	= capacitor	FL	= filter	Q	= transistor	V	= vacuum tube, neon bulb, photocell, etc.
CP	= coupling	J	= jack	R	= resistor	W	= cable
CR	= diode	K	= relay	RT	= thermistor	X	= socket
DL	= delay line	L	= inductor	S	= switch	Y	= crystal
DS	= device signaling (lamp)	M	= meter	T	= transformer		

ABBREVIATIONS

A	= amperes	GE	= germanium	N/C	= normally closed	RMO	= rack mount only
A.F.C	= automatic frequency control	GL	= glass	NE	= neon	RMS	= root-mean-square
AMPL	= amplifier	GRD	= ground(ed)	NI PL	= nickel plate		
				N/O	= normally open	S-B	= slow-blow
B. F. O.	= beat frequency oscillator	H	= henries	NPO	= negative positive zero (zero temperature coefficient)	SCR	= screw
BE CU	= beryllium copper	HEX	= hexagonal			SE	= selenium
BH	= binder head	HG	= mercury	NRFR	= not recommended for field replacement	SECT	= section(s)
BP	= bandpass	HR	= hour(s)	NSR	= not separately replaceable	SEMICON	= semiconductor
BRS	= brass			OH	= order by description	SI	= silicon
BWO	= backward wave oscillator	IF	= intermediate freq	OX	= oxide	SIL	= silver
		IMPG	= impregnated			SL	= slide
CCW	= counter-clockwise	INCD	= incandescent	PC	= peak	SPL	= special
CER	= ceramic	INCL	= include(s)	PF	= printed circuit	SST	= stainless steel
CMO	= cabinet mount only	INS	= insulation(ed)	PH BRZ	= picofarads = 10 ⁻¹² farads	SR	= split ring
COEF	= coefficient	INT	= internal	PHL	= phosphor bronze	STL	= steel
COM	= common			PIV	= Phillips		
COMP	= composition	K	= kilo = 1000	P/O	= peak inverse voltage	TA	= tantalum
CONN	= connector	LIN	= linear taper	P/O	= part of	TD	= time delay
CP	= cadmium plate	LK WASH	= lock washer	POLY	= polystyrene	TGL	= toggle
CRT	= cathode ray tube	LOG	= logarithmic taper	PORC	= porcelain	TI	= titanium
CW	= clockwise	LPF	= low pass filter	POS	= position(s)	TOL	= tolerance
				POT	= potentiometer	TRIM	= trimmer
DEPC	= deposited carbon	M	= milli = 10 ⁻³	PP	= peak-to-peak	TWT	= traveling wave tube
DR	= drive	MEG	= meg = 10 ⁻⁶	PT	= point		
		METFLM	= metal film	RECT	= rectifier	U	= micro = 10 ⁻⁶
ELECT	= electrolytic	MFR	= manufacturer	RF	= radio frequency	VAR	= variable
ENCAP	= encapsulated	MINAT	= miniature	RH	= round head	VDCW	= dc working volts
EXT	= external	MOM	= momentary				
		MTG	= mounting			W/	= with
F	= farads	MY	= mylar			W	= watts
FH	= flat head					WW	= wirewound
FIL H	= filister head	N	= nano (10 ⁻⁹)			W/O	= without
FXD	= fixed						

Table 6-1. REFERENCE DESIGNATION INDEX

Reference Designation	-hp- Stock No.	Description *	Note
C 1	0180-0502	C: FXD, Elect. 500 μ F 29 VDCW	
C 2 thru	0180-0518	C: FXD, Elect. 1000 μ F 31 VDCW	
C 3			
C 4	0180-0049	C: FXD, Elect. 20 μ F 50 VDCW	
C 5	0150-0012	C: FXD, CER. 0.01 μ F 1000 VDCW	
C 6	0180-0032	C: FXD, Elect. 10 μ F 10 VDCW	
C 7		see C 4	
C 8	0180-0131	C: FXD, Elect. 150 μ F 63 VDCW	
C 9	0150-0082	C: FXD, CER. 8200 μ F 500 VDCW	
CR 1 thru	1901-0026	Diode – Silicon	
CR 11			
CR 12	1901-0025	Diode – Silicon	
CR 13 thru	1901-0033	Diode – Silicon	
CR 14			
CR 15		Not assigned	
CR 16 thru		see CR-12	
CR 18			
CR 19		see CR-1	
CR 20	1902-0048	Diode – Zener	
CR 21	1902-0057	Diode – Zener	
CR 22		see CR-1	
DS 1	2140-0015	Lamp – Neon	
F 1	2110-0019	220 V: Fuse cartridge 0.4 A, Slow blow	
F 1	2110-0020	110 V: Fuse cartridge 0.8 A, Slow blow	
J 1	1251-0148	Connector Power	
J 2	1510-0503	Binding Post Red	
J 2	1510-0009	Binding Post Black	
M 1	1120-0513	Meter Ampere	
M 2	1120-0512	Meter Volt	
P 1 thru		see W 1	
P 2			

* see List of Abbreviations in introduction to this section

Table 6-1. REFERENCE DESIGNATION INDEX (CON'T)

Reference Designation	-hp- Stock No.	Description *	Note
Q 1 thru Q 2 Q 3 Q 4 Q 5 thru Q 8	1850-0168 1850-0169 1850-0509 1851-0017	Transistor-Germanium Transistor-Germanium Transistor-Germanium Transistor-Germanium NPN 2 N 1304	
R 1 R 2 R 3 thru R 4 R 5 R 6 R 7 R 8 thru R 9 R 10 R 11 R 12 R 13 R 14 R 15 R 16 R 17 R 18 R 19 R 20 R 21 R 22 R 23 R 24 R 25 R 26 R 27 R 28 R 29 R 30	0690-3321 0690-3921 0693-1021 0692-3615 0692-3315 2100-0507 0813-0503 0686-1025 0686-3015 0687-2211 0687-1021 0686-3915 0687-3921 0687-1531 0687-3331 0687-3911 2100-0505 2100-0503 0813-0502 2100-0504 0686-3335 0687-2721 0687-6821 0686-7515 0686-3305	R: FxD, Comp. 3.3 K Ω 10 % 1 W R: FxD, Comp. 3.9 K Ω 10 % 1 W R: FxD, Comp. 1 K Ω 10 % 2 W R: FxD, Comp. 360 Ω 5 % 2 W R: FxD, Comp. 330 Ω 5 % 2 W R: VAR, WW 10 Ω 10 % 0.5 W R: FxD, WW 1.8 Ω 5 % 2 W see R 7 R: FxD, Comp. 1 K Ω 5 % 0.5 W R: FxD, Comp. 300 Ω 5 % 0.5 W R: FxD, Comp. 220 Ω 10 % 0.5 W R: FxD, Comp. 1 K Ω 10 % 0.5 W R: FxD, Comp. 390 Ω 5 % 0.5 W R: FxD, Comp. 3.9 K Ω 10 % 0.5 W R: FxD, Comp. 15 K Ω 10 % 0.5 W R: FxD, Comp. 33 K Ω 10 % 0.5 W R: FxD, Comp. 390 Ω 10 % 0.5 W R: VAR, Comp. 10 K Ω 20 % 0.3 W R: VAR, Comp. 250 Ω 20 % 0.3 W R: FxD, WW 1 Ω 5 % 2 W R: VAR, Comp. 5 K Ω 20 % 0.3 W R: FxD, Comp. 33 K Ω 5 % 0.5 W R: FxD, Comp. 2.7 K Ω 10 % 0.5 W R: FxD, Comp. 6.8 K Ω 10 % 0.5 W see R 11 R: FxD, Comp. 750 Ω 5 % 0.5 W see R 12 R: FxD, Comp. 33 Ω 5 % 0.5 W	

* see List of Abbreviations in introduction to this section

Table 6-1. REFERENCE DESIGNATOR INDEX (CON'T)

Reference Designation	-hp- Stock No.	Description *	Note
R 31	0690-1011	R: FxD, Comp.	100 Ω 10 % 1 W
R 32	0686-1515	R: FxD, Comp.	150 Ω 5 % 0.5 W
R 33	0687-1031	R: FxD, Comp.	10 K Ω 10 % 0.5 W
R 34	0689-4315	R: FxD, Comp.	430 Ω 5 % 1 W
R 35	0760-0501	R: FxD, Met.FLM	1.3 K Ω 2 % 1 W
R 36		see R 18	
R 37		Shunt Resistor	
R 38		Shunt Resistor	
R 39 A/B	2100-0506	R: VAR WW	2 x 10 Ω 10 % 2 W LIN
R 40	2100-0234	R: VAR WW	10 K Ω 20 % 2 W LIN
R 41	0687-2711	R: FxD, Comp.	270 Ω 10 % 0.5 W
R 42		see R 33	
R 43	0683-0685	R: FxD, Comp.	6.80 Ω 5 % 0.25 W
S 1	3101-0033	Switch-Slide	
S 2	3101-0503	Switch-Push Button	
T 1	9100-0513	Transformer-Power	
W 1	8120-0100	Standard, Power P2: Schuko Plug	
W 2	8120-0078	Special Order: Power Cord, P2: Nema Plug	
Miscellaneous			
	0370-0133	Knob – Current Limit	
	0370-0137	Knob – Voltage Adjust	
	1400-0084	Fuseholder	

* see List of Abbreviations in introduction to this section

Table 6-2. REPLACEABLE PARTS

-hp- Stock No.	Description *	Mfr.	Mfr.Part.No.	TQ	RS
0150-0012	C: FxD, CER. 0.01 μ F 1000 VDCW	56289	29C214A3	1	1
0150-0082	C: FxD, CER. 8200 μ F 500 VDCW	28480	0150-0082	1	1
0180-0032	C: FxD, ELECT. 10 μ F 10 VDCW	56289	D 32877	1	1
0180-0049	C: FxD, ELECT. 20 μ F 50 VDCW	56289	D 33909	2	1
0180-0502	C: FxD, ELECT. 500 μ F 29 VDCW	28480	0180-0502	1	1
0180-0131	C: FxD, ELECT. 150 μ F 63 VDCW	28480	0180-0131	1	1
0180-0518	C: FxD, ELECT. 1000 μ F 50 VDCW	28480	0180-0518	2	1
0370-0133	KNOB-CURRENT LIMIT	28480	0370-0133	1	1
0370-0137	KNOB-Voltage Adjust	28480	0370-0137	1	1
0686-1025	R: FxD, Comp. 1 K Ω 5 % 0.5 W	01121	EB-1025	2	1
0686-1515	R: FxD, Comp. 150 K Ω 5 % 0.5 W	01121	EB-1515	1	1
0683-0685	R: FxD, Comp. 6.8 Ω 5 % 0.25 W	28480	0683-0685	1	1
0686-3915	R: FxD, Comp. 390 Ω 5 % 0.5 W	01121	EB-3915	2	1
0686-3305	R: FxD, Comp. 33 Ω 5 % 0.5 W	01121	EB-3305	1	1
0686-3335	R: FxD, Comp. 33 Ω 5 % 0.5 W	01121	EB-3335	1	1
0686-7515	R: FxD, Comp. 750 Ω 10 % 0.5 W	01121	EB-7515	2	1
0687-1021	R: FxD, Comp. 1 Ω 10 % 0.5 W	01121	EB-1021	1	1
0687-1531	R: FxD, Comp. 15 K Ω 10 % 0.5 W	01121	EB-1531	2	1
0687-2211	R: FxD, Comp. 220 Ω 10 % 0.5 W	01121	EB-2211	1	1
0687-2711	R: FxD, Comp. 270 Ω 10 % 0.5 W	01121	EB-2711	1	1
0687-2721	R: FxD, Comp. 2.7 Ω 10 % 0.5 W	01121	EB-2721	1	1
0687-3331	R: FxD, Comp. 33 K Ω 10 % 0.5 W	01121	EB-3331	2	1
0687-3911	R: FxD, Comp. 390 Ω 10 % 0.5 W	01121	EB-3911	1	1
0687-3921	R: FxD, Comp. 3.9 K Ω 10 % 0.5 W	01121	EB-3921	1	1
0687-1031	R: FxD, Comp. 10 K Ω 10 % 0.5 W	01121	EB-1031	2	1
0678-6821	R: FxD, Comp. 6.8 K Ω 10 % 0.5 W	01121	EB-6821	1	1
0689-4315	R: FxD, Comp. 430 Ω 5 % 1 W	01121	GB-4315	1	1
0690-3321	R: FxD, Comp. 3.3 K Ω 10 % 1 W	01121	GB-3321	1	1
0690-1011	R: FxD, Comp. 100 Ω 10 % 1 W	01121	GB-1011	1	1
0690-3921	R: FxD, Comp. 3.9 K Ω 10 % 1 W	01121	GB-3921	1	1
0692-3615	R: FxD, Comp. 360 Ω 5 % 2 W	01121	GB-3615	2	1
0693-1021	R: FxD, Comp. 1 K Ω 10 % 2 W	01121	HB-1021	1	1
0692-3315	R: FxD, Comp. 330 Ω 5 % 2 W	01121	GB-3315	1	1
0760-0501	R: FxD, MET.FLM. 1.3 K Ω 2 % 1 W	28480	0760-0501	1	1

* see List of Abbreviations in introduction to this section

Table 6-2. REPLACEABLE PARTS (CONT'D)

-hp- Stock No.	Description *	Mfr.	Mfr.Part.No.	TQ	RS
0813-0502	R: FxD WW 1 Ω 5% 2 W	28480	0813-0502	1	1
0813-0503	R: FxD WW 1.8 Ω 5% 2 W	28480	0813-0503	2	1
1120-0512	Meter Volt	28480	1120-0512	1	1
1120-0513	Meter Ampere	28480	1120-0513	1	1
1251-0148	Connector — Power	0000U	H 1061-2	1	1
1400-0084	Fuseholder	75915	342014	1	1
2140-0015	Lamp — Neon			1	1
1510-0009	Binding Post Black	28480	1510-0501	1	1
1510-0503	Binding Post Red	28480	1510-0502	2	1
1850-0169	Transistor — Germanium	28480	1850-0169	1	1
1850-0168	Transistor — Germanium	28480	1850-0168	2	2
1850-0509	Transistor — Germanium	28480	1850-0509	1	1
1851-0017	Transistor — Germanium NPN 2N 1304	01295	2N 1304	4	4
1901-0025	Diode — Silicon	49956	RD 1526	4	4
1901-0026	Diode — Silicon	02735	34531	13	13
1901-0033	Diode — Silicon	07910	IN485B	2	2
1902-0048	Diode — Zener	28480	1902-0502	1	1
1902-0057	Diode — Zener	28480	1902-0048	1	1
2100-0234	R: VAR. WW 10 K Ω 20% 2 W LIN	01121	Type J	1	1
2100-0503	R: VAR. Comp. 250 Ω 20% 2 W LIN	28480	2100-0503	1	1
2100-0504	R: VAR. Comp. 5 K Ω 20% 0.3 W	28480	2100-0504	1	1
2100-0505	R: VAR. Comp. 10 K Ω 20% 0.3 W	28480	2100-0505	1	1
2100-0506	R: VAR. WW 2 x 10 Ω 10% 2 W LIN	28480	2100-0506	1	1
2100-0507	R: VAR. WW 10 Ω 10% 0.5 W	28480	2100-0507	2	1
2110-0019	220 V: Fuse Cartridge 0.44 A, slow blow	75915	313.400	1	10
2110-0020	110 V: Fuse Cartridge 0.8 A, slow blow	75915	313.800	1	10
3101-0033	Switch — Slide	42190	4633	1	1
3101-0503	Switch — Push Button	28480	3101-503	1	1
8120-0078	Special Order: Power Cord, P2: Nema plug	70903	KH4147	1	1
8120-0100	Standard: Power P2: Schuko plug	28480	8120-0100	1	1
9100-0513	Transformer — Power	28480	9100-0513	1	1

* see List of Abbreviations in introduction to this section

**TABLE 6-3.
CODE LIST OF MANUFACTURERS**

The following code numbers are from the Federal Supply Code for Manufacturers Cataloging Handbooks H4-1 (Name to Code) and H4-2 (Code to Name) and their latest supplements. The date of revision and the date of the supplements used appear at the bottom of each page. Alphabetical codes have been arbitrarily assigned to suppliers not appearing in the H4 Handbooks.

Code No.	Manufacturer	Address	Code No.	Manufacturer	Address	Code No.	Manufacturer	Address
00000	U. S. A. Common	Any supplier of U. S.	05397	Union Carbide Corp., Linde Div	Kemel Dept. Cleveland, Ohio	11242	Bay State Electronics Corp	Waltham, Mass
00136	McCoy Electronics	Mount Holly Springs, Pa.	05593	Illumitronic Engineering Co	Sunnyvale, Calif	11312	Teledyne inc Microwave Div	Palo Alto, Calif.
00213	Sage Electronics Corp	Rochester, N. Y.	05616	Cosmo Plastic (c o Electrical Spec. Co.)	Cleveland, Ohio	11534	Duncan Electronics Inc	Costa Mesa, Calif.
00287	Cemco Inc	Danielson, Conn	05624	Barber Colman Co	Rockford, Ill.	11711	General Instrument Corp Semiconductor Div., Products Group	Newark, N. J.
00334	Humidral	Colton, Calif	05728	Tiffen Optical Co	Roslyn Heights, Long Island, N. Y.	11717	Imperial Electronic, Inc	Buena Park, Calif.
00348	Microtron Co., Inc	Valley Stream, N. Y.	05729	Metro-Tel Corp	Westbury, N. Y.	11870	Melabs, Inc	Palo Alto, Calif.
00373	Carllock Inc.	Camden, N. J.	05783	Stewart Engineering Co	Santa Cruz, Calif	12136	Philadelphia Handle Co	Camden, N. J.
00656	Aerovox Corp	New Bedford, Mass.	05820	Wakelind Engineering Inc.	Wakelind, Mass.	12361	Grove Mfg. Co., Inc.	Shady Grove, Pa.
00779	Amp Inc	Harrisburg, Pa.	06004	Bassick Co. The	Bridgeport, Conn.	12574	Gulton Ind. Inc., CG Elect. Div.	Albuquerque, N. M.
00781	Aircraft Radio Corp	Boonton, N. J.	06090	Raychem Corp.	Redwood City, Calif.	12697	Clarostat Mfg. Co.	Dover, N. H.
00815	Northern Engineering Laboratories, Inc.	Burlington Wis.	06175	Bausch and Lomb Optical Co.	Rochester, N. Y.	12728	Elmar Filter Corp.	W. Haven, Conn.
00853	Sangamo Electric Co	Pickens, S. C.	06402	E. T. A. Products Co. of America	Chicago, Ill.	12859	Nippon Electric Co. Ltd	Tokyo, Japan
00866	Goe Engineering Co	Los Angeles, Calif.	06540	Amatom Electronic Hardware Co Inc	New Rochelle, N. Y.	12881	Metex Electronics Corp	Clark, N. J.
00891	Carl E. Holmes Corp	Los Angeles, Calif	06555	Beede Electrical Instrument Co., Inc	Penacook, N. H.	12930	Della Semiconductor Inc	Newport Beach, Calif.
00929	Microlab Inc.	Livingston, N. J.	06666	General Devices Co., Inc	Indianapolis, Ind	12954	Dickson Electronics Corp.	Scottsdale, Arizona
01002	General Electric Co Capacitor Dept.	Hudson Falls, N. Y.	06751	Semcor Div Components Inc	Phoenix, Ariz.	13103	Thermolloy	Dallas, Texas
01009	Alden Products Co	Brookton, Mass.	06812	Torrington Mfg. Co West Div.	Van Nuys, Calif.	13396	Telefunken (GmbH)	Hanover, Germany
01121	Allen Bradley Co.	Milwaukee, Wis.	06980	Varian Assoc. Eimac Div	San Carlos, Calif.	13835	Midland-Wright Div of Pacific Industries, Inc	Kansas City, Kansas
01255	Litton Industries, Inc	Beverly Hills, Calif.	07088	Kelvin Electric Co	Van Nuys, Calif.	14099	Sem-Tech	Newbury Park, Calif.
01281	TRW Semiconductors, Inc	Lawndale, Calif	07126	Digitron Inc.	Van Nuys, Calif.	14193	Calif. Resistor Corp.	Santa Monica, Calif.
01295	Texas Instruments, Inc.	Dallas, Texas	07137	Transistor Electronics Corp	Minneapolis, Minn.	14298	American Components, Inc	Conshohocken, Pa.
01349	The Alliance Mfg. Co.	Alliance, Ohio	07138	Westinghouse Electric Corp Electronic Tube Div.	Elmira, N. Y.	14433	ITT Semiconductor, A Div of Int. Telephone & Telegraph Corp	West Palm Beach, Fla.
01589	Pacific Relays, Inc.	Van Nuys, Calif.	07149	Filmohm Corp.	New York, N. Y.	14493	Hewlett-Packard Company	Loveland, Colo.
01930	Amerock Corp.	Rockford, Ill	07233	Cinch-Graphik Co	City of Industry, Calif.	14655	Cornell Dublier Electric Corp.	Newark, N. J.
01961	Pulse Engineering Co.	Santa Clara, Calif.	07261	Avnet Corp	Culver City, Calif.	14674	Corning Glass Works	Corning, N. Y.
02114	Ferroxcube Corp. of America	Saugerties, N. Y.	07263	Fairchild Camera & Inst. Corp. Semiconductor Div.	Mountain View, Calif.	14752	Electro Cube Inc.	So. Pasadena, Calif.
02116	Wheelock Signals, Inc.	Long Branch, N. J.	07322	Minnesota Rubber Co	Minneapolis, Minn.	14960	Williams Mfg. Co	San Jose, Calif.
02286	Cole Rubber and Plastics Inc.	Sunnyvale, Calif.	07387	Birtcher Corp., The	Monterey Park, Calif	15203	Webster Electronics Co	New York, N. Y.
02660	Amphenol-Borg Electronics Corp.	Chicago, Ill.	07397	Sylvania Elect. Prod. Inc., Mt. View Operations	Mountain View, Calif.	15287	Scronics Corp.	Northridge, Calif.
02735	Radio Corp. of America, Semiconductor and Materials Div	Somerville, N. J.	07700	Technical Wire Products Inc.	Cranford, N. J.	15291	Adjustable Bushing Co	N Hollywood, Calif.
02771	Vocaline Co. of America, Inc.	Old Saybrook, Conn.	07910	Continental Device Corp.	Hawthorne, Calif.	15558	Micron Electronics	Garden City, Long Island, N. Y.
02777	Hopkins Engineering Co.	San Fernando, Calif.	07933	Raytheon Mfg. Co Semiconductor Div	Mountain View, Calif.	15566	Amprobe Inst. Corp	Lynbrook, N. Y.
03508	G. E. Semiconductor Prod. Dept.	Syracuse, N. Y.	07980	Hewlett-Packard Co., Boonton Radio Div.	Rockaway, N. J.	15631	Cabletronics	Costa Mesa, Calif.
03705	Apex Machine & Tool Co.	Dayton, Ohio	08145	U. S. Engineering Co.	Los Angeles, Calif.	15772	Twentieth Century Coil Spring Co.	Santa Clara, Calif.
03797	Eidema Corp.	Compton, Calif.	08289	Blinn, Delbert Co.	Pomona, Calif.	15772	Twentieth Century Coil Spring Co.	Santa Clara, Calif.
03877	Transitron Electric Corp	Wakelind, Mass.	08358	Burgess Battery Co	Niagara Falls, Ontario, Canada	15818	Amelco Inc	Mt. View, Calif.
03888	Pyrofilm Resistor Co. Inc.	Cedar Knolls, N. J.	08524	Deutsch Fastener Corp.	Los Angeles, Calif.	15909	Daven Div. Thomas A. Edison Ind.	Long Island City, N. Y.
03954	Singer Co., Diehl Div.	Sumerville, N. J.	08664	Bristol Co. The	Waterbury, Conn.	16037	Spruce Pine Mica Co.	Spruce Pine, N. C.
04009	Arrow, Hart and Hegeman Elect. Co.	Hartford, Conn	08717	Sloan Company	Sun Valley, Calif.	16179	Omni-Spectra Inc.	Detroit, Ill.
04013	Taurus Corp.	Lambertville, N. J.	08718	ITT Cannon Electric Inc.	Phoenix Div Phoenix, Arizona	16352	Computer Diode Corp.	Lodi, N. J.
04222	Hi-Q Division of Aerovox	Myrtle Beach, S. C.	08792	CBS Electronics Semiconductor Operations, Div of C. B. S. Inc.	Lowell, Mass.	16688	Ideal Prec. Meter Co., Inc.	Brooklyn, N. Y.
04354	Precision Paper Tube Co.	Chicago, Ill.	08984	Mel-Rain	Indianapolis, Ind.	De Jur Meter Div.	Brooklyn, N. Y.	
04404	Dymec Division of Hewlett-Packard Co.	Palo Alto, Calif.	09026	Babcock Relays Div	Costa Mesa, Calif.	16758	Delco Radio Div. of G. M. Corp.	Kokoma, Ind.
04651	Sylvania Electric Products, Microwave Device Div	Mountain View, Calif.	09134	Texas Capacitor Co	Houston, Texas	17109	Thermonetics Inc.	Canoga Park, Calif.
04713	Motorola, Inc., Semiconductor Prod. Div.	Phoenix, Arizona	09145	Atohm Electronics	Sun Valley, Calif	17474	Tranex Company	Mountain View, Calif.
04732	Filtron Co., Inc. Western Div.	Culver City, Calif.	09250	Electro Assemblies, Inc.	Chicago, Ill	17675	Hamlin Metal Products Corp	Akron, Ohio
04773	Automatic Electric Co	Northlake, Ill.	09569	Mallory Battery Co of Canada, Ltd	Toronto, Ontario, Canada	17745	Angstrom Prec. Inc	No. Hollywood, Calif.
04796	Sequoia Wire Co.	Redwood City, Calif	10214	General Transistor Western Corp.	Los Angeles, Calif.	18042	Power Design Pacific Inc	Palo Alto, Calif.
04811	Precision Coil Spring Co.	El Monte, Calif.	10411	Ti-Tal Inc.	Berkeley, Calif.	18083	Clevite Corp., Semiconductor Div.	Palo Alto, Calif.
04870	P. M. Motor Company	Westchester, Ill.	10646	Carborundum Co.	Niagara Falls, N. Y.	18476	Ty-Car Mfg. Co., Inc.	Holliston, Mass.
04919	Component Mfg. Service Co.	W. Bridgewater, Mass.	11236	CTS of Berne, Inc.	Berne, Ind.	18486	TRW Elect. Comp. Div	Des Plaines, Ill.
05006	Twentieth Century Plastics, Inc.	Los Angeles, Calif.	11237	Chicago Telephone of California, Inc.	So. Pasadena, Calif.	18583	Curtis Instrument, Inc.	Mt. Kisco, N. Y.
05277	Westinghouse Electric Corp. Semi-Conductor Dept.	Youngwood, Pa.				18873	E. I. DuPont and Co., Inc	Wilmington, Del.
05347	Ultronix, Inc.	San Mateo, Calif				18911	Durant Mfg. Co.	Milwaukee, Wis.
						19315	Bendix Corp. The Eclipse-Pioneer Div	Teterboro, N. J.
						19500	Thomas A. Edison Industries, Div of McGraw-Edison Co.	West Orange, N. J.
						19589	Concoa	Baldwin Park, Calif.
						19644	LRC Electronics	Horseheads, N. Y.
						19701	Electra Mfg. Co	Independence, Kansas
						20183	General Atomics Corp.	Philadelphia, Pa.
						21226	Executone, Inc	Long Island City, N. Y.

**TABLE 6-3.
CODE LIST OF MANUFACTURERS (Cont'd)**

Code No.	Manufacturer	Address	Code No.	Manufacturer	Address	Code No.	Manufacturer	Address
21335	Fairbair Bearing Co. The	New Britain, Conn.	71450	CTS Corp.	Elkhart Ind.	77075	Pacific Metals Co.	San Francisco, Calif.
21520	Fansteel Metallurgical Corp.	N. Chicago, Ill.	71468	ITT Cannon Electric Inc.	Los Angeles, Calif.	77221	Phanostran Instrument and Electronic Co.	South Pasadena, Calif.
23783	British Radio Electronics Ltd.	Washington, D. C.	71471	Cinema Div. Aerovox Corp.	Burbank, Calif.	77252	Philadelphia Steel and Wire Corp.	Philadelphia, Pa.
24455	G. E. Lamp Division	Nela Park, Cleveland, Ohio	71482	C. P. Clare & Co.	Chicago, Ill.	77342	American Machine & Foundry Co.	Potter, Princeton, Ind.
24655	General Radio Co.	West Concord, Mass.	71616	Commercial Plastics Co.	Milwaukee, Wis.	77630	TRW Electronic Components Div.	Camden, N. J.
26365	Gries Reproducer Corp.	New Rochelle, N. Y.	71700	Cornish Wire Co. The	New York, N. Y.	77638	General Instrument Corp., Rectifier Div.	Brooklyn, N. Y.
26462	Grobet File Co. of America, Inc.	Carlstadt, N. J.	71707	Coto Coil Co. Inc.	Providence, R. I.	77764	Resistance Products Co.	Harrisburg, Pa.
26992	Hamilton Watch Co.	Lancaster, Pa.	71744	Chicago Miniature Lamp Works	Chicago, Ill.	77969	Rubbercraft Corp. of Calif.	Torrance, Calif.
28480	Hewlett Packard Co.	Palo Alto, Calif.	71753	A. O. Smith Corp. Crowley Div.	West Orange, N. J.	78189	Snakeproof Division of Illinois Tool Works	Elgin, Ill.
28520	Heyman Mfg. Co.	Kenilworth, N. J.	71785	Cinch Mfg. Co., Howard B. Jones Div.	Chicago, Ill.	78283	Signal Indicator Corp.	New York, N. Y.
33173	G. E. Receiving Tube Dept.	Owensboro, Ky.	71984	Dow Corning Corp.	Midland, Mich.	78290	Struthers-Dunn Inc.	Pitman, N. J.
35434	Electrohm Inc.	Chicago, Ill.	72136	Electro Motive Mfg. Co. Inc.	Williamstown, Conn.	78452	Thompson-Bremer & Co.	Chicago, Ill.
36196	Stanwyck Coil Products Ltd.	Hawkesbury, Ontario, Canada	72354	John E. Fast Co. Div. Victoreen Instr. Co.	Chicago, Ill.	78471	T. L. Lyle Mfg. Co.	San Francisco, Calif.
36287	Cunningham W. H. & Hill Ltd.	Toronto, Ontario, Canada	72619	Dialight Corp.	Brooklyn, N. Y.	78488	Stackpole Carbon Co.	St. Marys, Pa.
37942	P. R. Mallory & Co. Inc.	Indianapolis, Ind.	72656	Indiana General Corp. Electronics Div.	Keasby, N. J.	78493	Standard Thomson Corp.	Waltham, Mass.
39543	Mechanical Industries Prod. Co.	Akron, Ohio	72699	General Instrument Corp., Cap. Div.	Newark, N. J.	78553	Tinnerman Products, Inc.	Cleveland, Ohio
40920	Miniature Precision Bearings, Inc.	Keene, N. H.	72765	Drake Mfg. Co.	Chicago, Ill.	78790	Transformer Engineers	San Gabriel, Calif.
42190	Muler Co.	Chicago, Ill.	72825	Hugh H. Eby Inc.	Philadelphia, Pa.	78947	Ucinite Co.	Newtonville, Mass.
43990	C. A. Norgren Co.	Englewood, Colo.	72928	Gudeman Co.	Chicago, Ill.	79136	Waldes Kohnoor Inc.	Long Island City, N. Y.
44655	Ohmite Mfg. Co.	Skokie, Ill.	72964	Robert M. Hadley Co.	Los Angeles, Calif.	79142	Veeder Root, Inc.	Hartford, Conn.
46384	Penn. Eng. & Mfg. Corp.	Doylestown, Pa.	72982	Erie Technological Products, Inc.	Erie, Pa.	79251	Wenco Mfg. Co.	Chicago, Ill.
47904	Polaroid Corp.	Cambridge, Mass.	73061	Hansen Mfg. Co., Inc.	Princeton, Ind.	79727	Continental-Wirt Electronics Corp.	Philadelphia, Pa.
48620	Precision Thermometer & Inst. Co.	Southampton, Pa.	73076	H. M. Harper Co.	Chicago, Ill.	79963	Zierick Mfg. Corp.	New Rochelle, N. Y.
49956	Microwave & Power Tube Div.	Waltham, Mass.	73138	Helipol Div. of Beckman Inst., Inc.	Fullerton, Calif.	80031	Mepco Division of Sessions Clock Co.	Morristown, N. J.
52090	Rowan Controller Co.	Westminster, Md.	73293	Hughes Products Division of Hughes Aircraft Co.	Newport Beach, Calif.	80120	Schnitzer Alloy Products Co.	Elizabeth, N. J.
52983	Sanborn Company	Waltham, Mass.	73445	Amperex Electronic Co., Div. of North American Phillips Co., Inc.	Hicksville, N. Y.	80131	Electronic Industries Association. Tube meeting EIA Standards-Washington, DC	Any brand, Washington, DC
54294	Shallcross Mfg. Co.	Selma, N. C.	73506	Bradley Semiconductor Corp.	New Haven, Conn.	80207	Unimax Switch, Div. Maxon Electronics Corp.	Wallingford, Conn.
55026	Simpson Electric Co.	Chicago, Ill.	73559	Carling Electric, Inc.	Hartford, Conn.	80223	United Transformer Corp.	New York, N. Y.
55933	Sonolone Corp.	Elmsford, N. Y.	73586	Circle F. Mfg. Co.	Trenton, N. J.	80248	Oxford Electric Corp.	Chicago, Ill.
55938	Raytheon Co. Commercial Apparatus & Systems Div.	So. Norwalk, Conn.	73682	George K. Garrett Co., Div. MSL Industries Inc.	Philadelphia, Pa.	80294	Bourns Inc.	Riverside, Calif.
56137	Spaulding Fibre Co. Inc.	Tonawanda, N. Y.	73734	Federal Screw Products Inc.	Chicago, Ill.	80411	Acro Div. of Robertshaw Controls Co.	Columbus, Ohio
56289	Sprague Electric Co.	North Adams, Mass.	73743	Fischer Special Mfg. Co.	Cincinnati, Ohio	80486	All Star Products Inc.	Defiance, Ohio
59446	Telex Inc.	St. Paul, Minn.	73793	General Industries Co., The	Elyria, Ohio	80509	Avery Adhesive Label Corp.	Monrovia, Calif.
59730	Thomas & Betts Co.	Elizabeth, N. J.	73846	Goshen Stamping & Tool Co.	Goshen, Ind.	80583	Hammarlund Co., Inc.	New York, N. Y.
60741	Triplet Electrical Inst. Co.	Bluffton, Ohio	73899	JFD Electronics Corp.	Brooklyn, N. Y.	80640	Stevens, Arnold, Co., Inc.	Boston, Mass.
61775	Union Switch and Signal, Div. of Westinghouse Air Brake Co.	Pittsburgh, Pa.	73905	Jennings Radio Mfg. Corp.	San Jose, Calif.	81030	International Instruments Inc.	Orange, Conn.
62119	Universal Electric Co.	Owosso, Mich.	74276	Signalite Inc.	Neptune, N. J.	81073	Grayhill Co.	LaGrange, Ill.
63743	Ward-Leonard Electric Co.	Mt. Vernon, N. Y.	74455	J. H. Winns, and Sons	Winchester, Mass.	81095	Triad Transformer Corp.	Venice, Calif.
64959	Western Electric Co., Inc.	New York, N. Y.	74861	Industrial Condenser Corp.	Chicago, Ill.	81312	Winchester Elec. Div. Litton Ind., Inc.	Oakville, Conn.
65092	Weston Inst. Inc. Weston-Newark	Newark, N. J.	74868	R. F. Products Division of Amphenol-Borg Electronics Corp.	Danbury, Conn.	81349	Military Specification	...
66295	Witte Mfg. Co.	Chicago, Ill.	74970	E. F. Johnson Co.	Waseca, Minn.	81483	International Rectifier Corp.	El Segundo, Calif.
66346	Revere Wollansak Div. Minn. Mining & Mfg. Co.	St. Paul, Minn.	75042	International Resistance Co.	Philadelphia, Pa.	81541	Airpax Electronics, Inc.	Cambridge, Mass.
70276	Allen Mfg. Co.	Hartford, Conn.	75378	CTS Knights Inc.	Sandwich, Ill.	81860	Barry Controls, Div. Barry Wright Corp.	Watertown, Mass.
70309	Allied Control	New York, N. Y.	75382	Kulka Electric Corporation	Mt. Vernon, N. Y.	82042	Carter Precision Electric Co.	Skokie, Ill.
70318	Allmetal Screw Product Co. Inc.	Garden City, N. Y.	75818	Lenz Electric Mfg. Co.	Chicago, Ill.	82047	Sperli Faraday Inc., Copper Hewitt Electric Div.	Hoboken, N. J.
70485	Atlantic India Rubber Works, Inc.	Chicago, Ill.	75915	Littlefuse, Inc.	Des Plaines, Ill.	82142	Jeffers Electronics Division of Speer Carbon Co.	Du Bois, Pa.
70563	Amperite Co., Inc.	Union City, N. J.	76005	Lord Mfg. Co.	Erie, Pa.	82170	Fairchild Camera & Inst. Corp., Defense Prod. Division	Clifton, N. J.
70674	ADC Products Inc.	Minneapolis, Minn.	76210	C. W. Marwedel	San Francisco, Calif.	82209	Maguire Industries, Inc.	Greenwich, Conn.
70903	Belden Mfg. Co.	Chicago, Ill.	76433	General Instrument Corp., Micamold Division	Newark, N. J.	82219	Sylvania Electric Prod. Inc. Electronic Tube Division	Emporium, Pa.
70998	Bird Electronic Corp.	Cleveland, Ohio	76487	James Millen Mfg. Co., Inc.	Malden, Mass.	82376	Astron Corp.	East Newark, Harrison, N. J.
71002	Birnbach Radio Co.	New York, N. Y.	76493	J. W. Miller Co.	Los Angeles, Calif.	82389	Switchcraft, Inc.	Chicago, Ill.
71041	Boston Gear Works Div. of Murray Co. of Texas	Quincy, Mass.	76530	Cinch-Monadnock, Div. of United Carr Fastener Corp.	San Leandro, Calif.	82647	Metals & Controls Inc. Spencer Products	Attleboro, Mass.
71218	Bud Radio, Inc.	Willoughby, Ohio	76545	Mueller Electric Co.	Cleveland, Ohio	82768	Phillips-Advance Control Co.	Joliet, Ill.
71286	Camloc Fastener Corp.	Paramus, N. J.	76703	National Union	Newark, N. J.			
71313	Cardwell Condenser Corp.	Lindenhurst L. I., N. Y.	76854	Oak Manufacturing Co.	Crystal Lake, Ill.			
71400	Bussmann Mfg. Div. of McGraw-Edison Co.	St. Louis, Mo.	77068	Bendix Corp., The Bendix Pacific Div.	N. Hollywood, Calif.			
71436	Chicago Condenser Corp.	Chicago, Ill.						
71447	Calif. Spring Co., Inc.	Pico-Rivera, Calif.						

00015-43
Revised: May, 1967

From: FSC Handbook Supplements
H4-1 Dated AUGUST 1966
H4-2 Dated NOV. 1962

MANUAL CHANGES

MODEL 6960 A

DC POWER SUPPLY

Manual Serial Prefixed: 604-
Manual Printed: AUG. 1967

To adapt this manual to instruments with other serial prefixes check for errata below, and make changes shown in tables.

Instrument Serial Prefixes	Make Manual Changes
G-604- and above	

ERRATA: In Table 1-1, Specifications:
Delete: "Meters on Option 01 only".
In Section VI, Replaceable Parts:

		-hp- Stock No.
Change: C9 to C9*	C:fxd., cer. (preferred value 0.0082uF, 500VDCW)	0150-0082
R5	R:fxd., to 330 Ohm, +5%, 2W	0692-3315
R6	R:fxd., to 360 Ohm, +5%, 2W	0692-3615
R43 to R43 *	R:fxd., comp. (preferred value 6.8 Ohm, +5%, 0.25W)	0683-0685
Add: R44	the "Reference Designator" of $\bar{S}2$ to SW2 R:fxd., 47 Ohm, 0.25W, +5% (connected in series with CR13)	0684-4701
Add: R43 *	In Section V, Figure 5-4, Circuit Diagram: (connected in series with CR16,17; part may be omitted).	



ELECTRONIC INSTRUMENTATION SALES AND SERVICE

UNITED STATES

ALABAMA
P.O. Box 4207
2003 Byrd Spring Road S.W.
Huntsville 35802
Tel: (205) 881-4591
TWX: 910-726-2204

ARIZONA
3009 North Scottsdale Road
Scottsdale 85251
Tel: (602) 945-7601
TWX: 910-950-1282

232 South Tucson Boulevard
Tucson 85716
Tel: (602) 623-2564
TWX: 910-952-1162

CALIFORNIA
3939 Lankershim Boulevard
North Hollywood 91604
Tel: (213) 877-1282
TWX: 910-499-2170

1101 Embarcadero Road
Palo Alto 94303
Tel: (415) 327-6500
TWX: 910-373-1280

2591 Carlsbad Avenue
Sacramento 95821
Tel: (916) 482-1463
TWX: 910-367-2092

1055 Shafter Street
San Diego 92106
Tel: (714) 223-8103
TWX: 910-335-2000

COLORADO
7965 East Prentice
Englewood 80110
Tel: (303) 771-3455
TWX: 910-935-0705

CONNECTICUT
508 Tolland Street
East Hartford 06108
Tel: (203) 289-9394
TWX: 710-425-3416

111 East Avenue
Norwalk 06851
Tel: (203) 853-1251
TWX: 710-468-3750

DELAWARE
3941 Kennett Pike
Wilmington 19807
Tel: (302) 656-6161
TWX: 510-666-2214

FLORIDA
Suite 106
9999 N.E. 2nd Avenue
Miami Shores 33138
Tel: (305) 758-3626
TWX: 810-848-7262

P.O. Box 20007
Herndon Station 32814
621 Commonwealth Avenue
Orlando
Tel: (305) 841-3970
TWX: 810-850-0113

P.O. Box 8128
Madera Beach 33708
410 150th Avenue
St. Petersburg
Tel: (813) 391-0211
TWX: 810-863-0366

GEORGIA
P.O. Box 28234
2340 Interstate Parkway
Atlanta 30328
Tel: (404) 436-6181
TWX: 810-766-4890

ILLINOIS
5500 Howard Street
Skokie 60076
Tel: (312) 677-0400
TWX: 910-223-3613

INDIANA
4002 Meadows Drive
Indianapolis 46205
Tel: (317) 546-4891
TWX: 810-341-3263

LOUISIANA
P.O. Box 856
1942 Williams Boulevard
Kenner 70062
Tel: (504) 721-6201
TWX: 810-955-5524

MARYLAND
6707 Whitestone Road
Baltimore 21207
Tel: (301) 944-5400
TWX: 710-862-0850
P.O. Box 727
Twinbrook Station 20851
12303 Twinbrook Parkway
Rockville
Tel: (301) 427-7560
TWX: 710-828-9684

MASSACHUSETTS
Middlesex Turnpike
Burlington 01803
Tel: (617) 272-9000
TWX: 710-332-0382

MICHIGAN
24315 Northwestern Highway
Southfield 48075
Tel: (313) 353-9100
TWX: 810-232-1532

MINNESOTA
2459 University Avenue
St. Paul 55114
Tel: (612) 645-9461
TWX: 910-563-3734

MISSOURI
9208 Wyoming Place
Kansas City 64114
Tel: 816-333-2445
TWX: 910-771-2087

2812 South Brentwood Blvd.
St. Louis 63144
Tel: 314-644-0220
TWX: 910-760-1670

NEW JERSEY
391 Grand Avenue
Englewood 07631
Tel: (201) 567-3933
TWX: 710-991-9707

NEW MEXICO
P.O. Box 8366
Station C 87108
6501 Lomas Boulevard N.E.
Albuquerque
Tel: (505) 255-5586
TWX: 910-989-1665

156 Wyatt Drive
Las Cruces 88001
Tel: (505) 526-2485
TWX: 910-983-0550

NEW YORK
1702 Central Avenue
Albany 12205
Tel: (518) 869-8462

1219 Campville Road
Endicott 13760
Tel: (607) 754-0050
TWX: 510-252-0890

236 East 75th Street
New York 10021
Tel: (212) 879-2023
TWX: 710-581-4376

82 Washington Street
Poughkeepsie 12601
Tel: (914) 454-7330
TWX: 510-248-0012

39 Saginaw Drive
Rochester 14623
Tel: (716) 473-9500
TWX: 510-253-5981

1025 Northern Boulevard
Roslyn, Long Island 11576
Tel: (516) 869-8400
TWX: 510-223-0811

5858 East Molloy Road
Syracuse 13211
Tel: (315) 454-2486
TWX: 710-541-0482

NORTH CAROLINA
P.O. Box 5187
1923 North Main Street
High Point 27262
Tel: (919) 882-6873
TWX: 510-926-1516

OHIO
5579 Pearl Road
Cleveland 44129
Tel: (216) 884-9209
TWX: 910-421-8500

2460 South Dixie Drive
Dayton 45439
Tel: (513) 298-0351
TWX: 810-459-1925

OREGON
Westhills Mall, Suite 158
4475 S.W. Scholls Ferry Road
Portland 97225
Tel: (503) 292-9171
TWX: 910-464-6103

PENNSYLVANIA
2500 Moss Side Boulevard
Monroeville 15146
Tel: (412) 271-0724
TWX: 710-797-3650

144 Elizabeth Street
West Conshohocken 19428
Tel: (215) 248-1600, 828-6200
TWX: 510-660-8715

TEXAS
P.O. Box 7166
3605 Inwood Road
Dallas 75209
Tel: (214) 357-1881
TWX: 910-861-4081
P.O. Box 22813
4242 Richmond Avenue
Houston 77027
Tel: (713) 667-2407
TWX: 910-881-2645

GOVERNMENT CONTRACT OFFICE
225 Billy Mitchell Road
San Antonio 78226
Tel: (512) 434-4171
TWX: 910-871-1170

UTAH
2890 South Main Street
Salt Lake City 84115
Tel: (801) 486-8166
TWX: 910-925-5681

VIRGINIA
P.O. Box 6514
2111 Spencer Road
Richmond 23230
Tel: (703) 282-5451
TWX: 710-956-0157

WASHINGTON
11656 N.E. Eighth Street
Bellevue 98004
Tel: (206) 454-3971
TWX: 910-443-2303

FOR AREAS NOT LISTED, CONTACT: Hewlett-Packard, 1501 Page Mill Road, Palo Alto, California 94304, Tel: (415) 326-7000; TWX: 910-373-1267; Telex: 34-8461

CANADA

ALBERTA
10010 - 105th Street
Edmonton
Tel: (403) 424-0718
TWX: 610-831-2431

BRITISH COLUMBIA
Hewlett-Packard (Canada) Ltd.
2184 West Broadway
Vancouver
Tel: (604) 738-7520
TWX: 610-922-5050

NOVA SCOTIA
7001 Mumford Road
Suite 356
Halifax
Tel: (902) 455-0511
TWX: 610-271-4482

ONTARIO
Hewlett-Packard (Canada) Ltd.
380 Lady Ellen Place
Ottawa 3
Tel: (613) 722-4223
TWX: 610-562-1952

Hewlett-Packard (Canada) Ltd.
1415 Lawrence Avenue West
Toronto
Tel: (416) 249-9196
TWX: 610-492-2382

QUEBEC
Hewlett-Packard (Canada) Ltd.
275 Hymus Boulevard
Pointe Claire
Tel: (514) 697-4232
TWX: 610-422-3022
Telex: 01-2819

FOR AREAS NOT LISTED, CONTACT: Hewlett-Packard Inter-Americas, 1501 Page Mill Road, Palo Alto, Calif. 94304, Tel: (415) 326-7000; TWX: 910-373-1267; Telex: 034-8461; Cable: HEWPACK Palo Alto

CENTRAL AND SOUTH AMERICA

ARGENTINA
Mauricio A. Suárez
Telecomunicaciones
Carlos Calvo 224
Buenos Aires
Tel: 30-6312, 34-9087
Cable: TELEPILOT Buenos Aires

CHILE
Héctor Calcagni
Casilla 13942
Santiago
Tel: 490.505, 393.119

ECUADOR
Laboratorios de Radio-Ingeniería
Calle Guayaquil 1246
Post Office Box 3199
Quito
Tel: 12496
Cable: HORVATH Quito

MEXICO
Hewlett-Packard Mexicana,
S.A. de C.V.
Eugenia 408, Dept. 1
Mexico 12, D.F.
Tel: 43-03-79

PERU
Fernando Ezeta B.
Av. Petit Thouars 4719
Miraflores
Casilla 3061
Lima
Tel: 50346
Cable: FEPPER Lima

URUGUAY
Pablo Ferrando
S.A. Comercial e Industrial
Avenida Italia 2877
Casilla de Correo 370
Montevideo
Tel: 40-3102
Cable: RADIUM Montevideo

BRAZIL
Ciental, Importação e
Comércio Ltda.
Avenida 13 de Maio, 13-22º andar
Rio de Janeiro G.B.
Tel: 42-9483

COLOMBIA
Instrumentación
Henrik A. Langebaek & Cia Ltda.
Cra. 7ª N° 48-51/59
Apartado Aéreo 6287
Bogotá, D.E.
Tel: 45-78-06, 45-55-46
Cable: AARIS Bogotá

EL SALVADOR
Electrónica
27 Avenida Norte 1133
Apartado Postal 1589
San Salvador
Tel: 25-74-50
Cable: ELECTRONICA
San Salvador

NICARAGUA
Roberto Terán G.
Edificio Terán
Apartado Postal 689
Managua
Tel: 3451, 3452
Cable: ROTERAN Managua

PUERTO RICO
San Juan Electronics, Inc.
P.O. Box 5167
Ponce de León 150, Stop 3
Puerta de Tierra Santa
San Juan 00906
Tel: (809) 725-3342
Cable: SATRONICS San Juan

VENEZUELA
Citec, C.A.
Edif. Arisan-Of #4
Avda. Francisco de Miranda
Apartado del Este 10934 Chacabito
Caracas
Tel: 71.88.05
Cable: CITECAL Caracas

Ciental, Importação e
Comércio Ltda.
Rua Des. Eliseu Guilherme, 62
Sao Paulo 8
Tel: 70-2318
Cable: CIENTALCO, Sao Paulo

COSTA RICA
Lic. Alfredo Gallegos Gordian
Apartado 3243
San José
Tel: 21-86-13
Cable: GALGUR San José

GUATEMALA
Olander Associates Latin America
Apartado 1226
7a. Calle, 0-22, Zona 1
Guatemala City
Tel: 22812
Cable: OLALA Guatemala City

PANAMA
Electrónica Balboa, S.A.
P.O. Box 4929
Ave. Manuel Esposino No. 13-50
Bldg. Alina
Panama City
Tel: 30833
Cable: ELECTRON Panama City

FOR AREAS NOT LISTED, CONTACT: Hewlett-Packard Inter-Americas, 1501 Page Mill Road, Palo Alto, Calif. 94304, Tel: (415) 326-7000; TWX: 910-373-1267; Telex: 034-8461; Cable: HEWPACK Palo Alto



ELECTRONIC INSTRUMENTATION SALES AND SERVICE

EUROPE

AUSTRIA

Unilabor H.m.b.H.
Wissenschaftliche Instrumente
Rummelhardtgasse 6/3
P.O. Box 33
Vienna IX/71
Tel: 426 181
Cable: LABORINSTRUMENT
Vienna

BELGIUM

Hewlett-Packard Benelux S.A.
20-24 rue de l'Hôpital
Brussels
Tel: 11 22 20
Cable: PALOBEN Brussels

DENMARK

Age Oisen A/S
Linnegade 1
Copenhagen O
Tel: 29 48 00
Cable: TOCOPEN Copenhagen

FINLAND

INTO O/Y
Merituulinkatu 11
P.O. Box 10153
Helsinki 10
Tel: 61 133
Cable: INTO Helsinki

FRANCE

Hewlett-Packard France
2 rue Tête d'Or
Lyon, 6 - Rhône
Tel: 52 35 66
Hewlett-Packard France
150 Boulevard Massena
Paris 13e
Tel: 707 97 19
Cable: HEWPACK Paris

GERMANY

Hewlett-Packard Vertriebs-GmbH
Lietzenburger Strasse 30
1 Berlin W 30
Cable: HEPA G Boblingen
Tel: 24 86 36

Hewlett-Packard Vertriebs-GmbH
Herrenberger Strasse 110
703 Böblingen, Württemberg
Tel: 07031-6971
Cable: HEPA G Boblingen

Hewlett-Packard Vertriebs-GmbH
Achenbachstrasse 15
4 Düsseldorf 1
Tel: 68 52 58/59

Hewlett-Packard Vertriebs-GmbH

Kurhessenstrasse 95
6 Frankfurt 50
Tel: 52 00 36
Cable: HEWPACKSA Frankfurt

Hewlett-Packard Vertriebs-GmbH
Beim Strohhause 26
2 Hamburg 1
Tel: 24 05 51/52
Cable: HEWPACKSA Hamburg

Hewlett-Packard Vertriebs-GmbH
Reginfriedstrasse 13
8 Munich 9
Tel: 69 51 21/22
Cable: HEWPACKSA Munich

GREECE

Kostos Karayannis
18, Ermou Street
Athens 126
Tel: 230 301
Cable: RAKAR Athens

IRELAND

Hewlett-Packard Ltd.
224 Bath Road
Slough, Bucks, England
Tel: Slough 28406-9, 29486-9
Cable: HEWPIE Slough

ITALY

Hewlett-Packard Italiana S.p.A.
Viale Lunigiana 46
Milan
Tel: 69 15 84
Cable: HEWPA CIT Milan

Hewlett-Packard Italiana S.p.A.
Palazzo Marconi 25
Rome - Eur
Tel: 591 2544
Cable: HEWPA CIT Rome

NETHERLANDS

Hewlett-Packard Benelux. N.V.
de Boelelaan 1043
Amsterdam, Z.2
Tel: 42 77 77
Cable: PALOBEN Amsterdam

NORWAY

Morgenstjerne & Co A/S
Ingeniofirma
6 Wessels Gate
Oslo
Tel: 20 16 35
Cable: MOROF Oslo

PORTUGAL

Telectra
Rua Rodrigo da Fonseca 103
P.O. Box 2531
Lisbon 1
Tel: 68 60 72
Cable: TELECTRA Lisbon

SPAIN

Ataio Ingerieros
Urgel, 259
Barcelona, 11
Tel: 230-69-88
Ataio Ingerieros
Enrique Larreta 12
Madrid, 16
Tel: 235 43 44
Cable: TELEATAIO Madrid

SWEDEN

HP Instrument AB
Hagakergatan 7
Mölnådal
Tel: 031 - 27 68 00

HP Instrument AB

Centratvågen 28
Solna
Tel: 08 - 83 08 30
Cable: MEASUREMENTS
Stockholm

SWITZERLAND

HEWPAK AG
Zurcherstrasse
8952 Schlieren
Zurich
Tel: (051) 98 18 21
Cable: HEWPAKAG Zurich

TURKEY

Telekom Engineering Bureau
P.O. Box 376 - Galata
Istanbul
Tel: 49 40 40
Cable: TELEMATIION Istanbul

UNITED KINGDOM

Hewlett-Packard Ltd.
224 Bath Road
Slough, Bucks
Tel: Slough 28406-9, 29486-9
Cable: HEWPIE Slough

YUGOSLAVIA

Beiram S.A.
83 avenue des Mimosas
Brussels 15, Belgium
Tel: 35 29 58
Cable: BELRAMEL Brussels

FOR AREAS NOT LISTED, CONTACT: Hewlett-Packard S.A.: 54 Route des Acacias, Geneva, Switzerland; Tel: (022) 42 81 50; Telex: 2.24.86; Cable: HEWPACKSA Geneva

AFRICA, ASIA, AUSTRALIA

AUSTRALIA

Hewlett-Packard Australia
Pty. Ltd.
22-26 Weir Street
Glen Iris, S. E. 6
Victoria
Tel: 20-1371 (4 lines)
Cable: HEWPA RD Melbourne
Hewlett-Packard Australia
Pty. Ltd.
4 Grose Street
Glebe, New South Wales
Tel: 211-2235, 211-2888
Cable: HEWPA RD Sydney

Ceylon

United Electricals Ltd.
P.O. Box 681
Yahala Building
Staples Street
Colombo 2
Tel: 5496
Cable: HOTPOINT Colombo

ETHIOPIA

African Salespower & Agency
Private Ltd., Co.
P.O. Box 718
Addis Ababa
Tel: 44090
Cable: ASACO Addisababa

HONG KONG

Schmidt & Co. (Hong Kong) Ltd
P.O. Box 297
1511, Prince's Building
10, Chater Road
Hong Kong
Tel: 240168, 232735
Cable: SCHMIDT CO Hong Kong

INDIA

The Scientific Instrument
Co., Ltd.
6, Tej Bahadur Sapru Road
Allahabad 1
Tel: 2451
Cable: SICO Allahbad
The Scientific Instrument
Co., Ltd.
240, Dr. Dadabhai Naoroji Road
Bombay 1
Tel: 26-2642
Cable: SICO Bombay
The Scientific Instrument
Co., Ltd.
11, Esplanade East
Calcutta 1
Tel: 23-4129
Cable: SICO Calcutta
The Scientific Instrument Co., Ltd.
30, Mount Road
Madras 2
Tel: 86339
Cable: SICO Madras

The Scientific Instrument Co., Ltd.
B-7, Ajmeri Gate Extn.
New Delhi 1
Tel: 27-1053
Cable: SICO New Delhi

IRAN

Telecom. Ltd.
P. O. Box 1812
Teheran
Tel: 43850. 48111
Cable: BASCOM Teheran

ISRAEL

Electronics & Engineering
Div. of Motorola Israel Ltd
16, Kremenetski Street
Tel-Aviv
Tel: 35021/2/3
Cable: BASTEL Tel-Aviv

JAPAN

Yokogawa-Hewlett-Packard Ltd.
Shinhankyu Building
No. 8, Umeda
Kita-ku, Osaka City
Tel: 0726-23-1641
Yokogawa-Hewlett Packard Ltd.
Ito Building
No. 59, Kotori-cho
Nakamura-ku, Nagoya City
Tel: 551-0215

Yokogawa-Hewlett-Packard Ltd
Ohashi Building
No. 59, I-chome, Yoyogi
Shibuya-ku Tokyo
Tel: 370-2281
Cable: YOKOHEWPAK Tokyo
Tel: 232-2034

KENYA

R. J. Tilbury Ltd.
P. O. Box 2754
Suite 517/518
Hotel Ambassadeur
Nairobi
Tel: 25670, 26803, 68206
Cable: ARJAYTEE Nairobi

KOREA

American Trading Co., Korea. Ltd
Seoul P. O. Box 1103
112-35 Sokong-Dong
Jung-ku, Seoul
Tel: 3,7049, 3,7613
Cable: AMTRACO Seoul

LEBANON

Constantin E. Macridis
Clemenceau Street
Clemenceau Center
Beirut
Tel: 220846
Cable: ELECTRONUCLEAR Beirut

MALAYSIA

MECOMB Malaysia Ltd.
2 Lorong 13/6A
Section 13
Petaling Jaya, Selangor
Cable: MECOMB Kuala Lumpur

NEW ZEALAND

Sample Electronics (N.Z.) Ltd
8 Matipo Street
Onehunga S.E. 5
Auckland
Tel: 667-356
Cable: ELPMAS Auckland

PAKISTAN (EAST)

Mushko & Company, Ltd.
31, Jinnah Avenue
Dacca
Tel: 80058
Cable: COOPERATOR Dacca

PAKISTAN (WEST)

Mushko & Company, Ltd.
Oosman Chambers
Victoria Road
Karachi 3
Tel: 51027, 52927
Cable: COOPERATOR Karachi

SINGAPORE

Mechanical and Combustion
Engineering Company Ltd
9, Jalan Kilang
Singapore, 3
Tel: 642361-3
Cable: MECOMB Singapore

SOUTH AFRICA

F. H. Flanter & Co. (Pty.), Ltd.
Roseika House
Buitencingle Street
Cape Town
Tel: 3-3817
Cable: AUTOPHONE Cape Town

F. H. Flanter & Co. (Pty.), Ltd.
104 Pharmacy House
80 Jorissen Street
Braamfontein, Johannesburg
Tel: 724-4172

TAIWAN

Hwa Sheng Electronic Co., Ltd
P. O. Box 1558
21 Nanking West Road
Taipei
Tel: 46076, 45936
Cable: VICTRONIX Taipei

THAILAND

The International
Engineering Co., Ltd.
P. O. Box 39
614 Sukhumvit Road
Bangkok
Tel: 913460-1-2
Cable: GYSOM Bangkok

VIETNAM

Landis Brothers and Company,
Inc.
P.O. Box H-3
216 Hien-Vuong
Saigon
Tel: 20 805
Cable: LANBROCOMP Saigon

FOR AREAS NOT LISTED, CONTACT: Hewlett-Packard Export Marketing; 1501 Page Mill Road; Palo Alto, California 94304; Tel: (415) 326-7000; Telex: 034 8461; Cable: HEWPAK Palo Alto

CERTIFICATION

Hewlett-Packard certifies that this instrument was thoroughly tested and inspected and found to meet its published specifications when it was shipped from the factory. Hewlett-Packard further certifies that its calibration measurements are traceable to the U.S. National Bureau of Standards to the extent allowed by the Bureau's calibration facility.

WARRANTY AND ASSISTANCE

All Hewlett-Packard products are warranted against defects in materials and workmanship. This warranty applies for one year from the date of delivery, or, in the case of certain major components listed in the operating manual, for the specified period. We will repair or replace products which prove to be defective during the warranty period. No other warranty is expressed or implied. We are not liable for consequential damages.

For any assistance contact your nearest Hewlett-Packard Sales and Service Office. Addresses are provided at the back of this manual.

