

**Agilent E8403A
Component Level
Information**

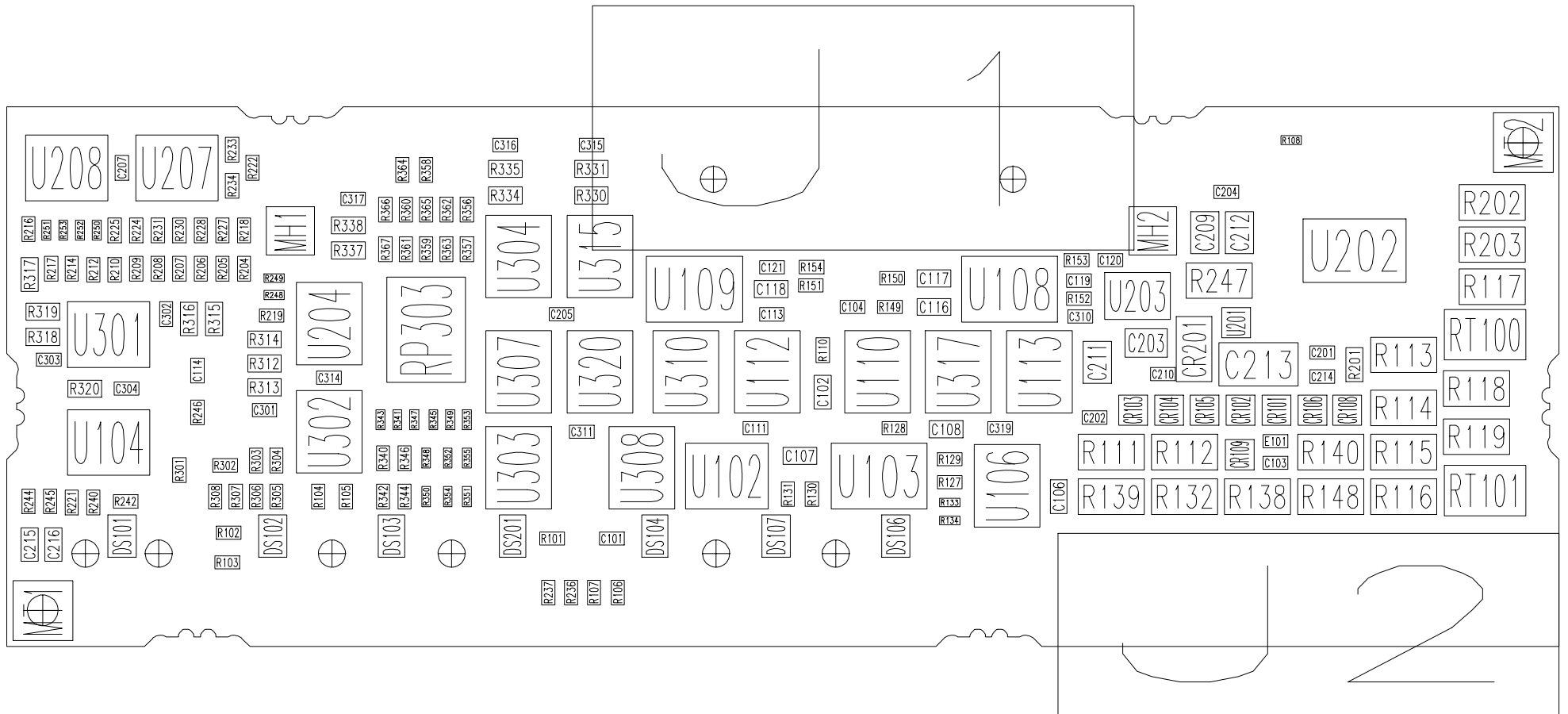
E8403A C-Size VXI Mainframe Component Level Information

Information in this packet applies to the following assemblies:

1. E8401-66505 PC Assembly (Monitor)

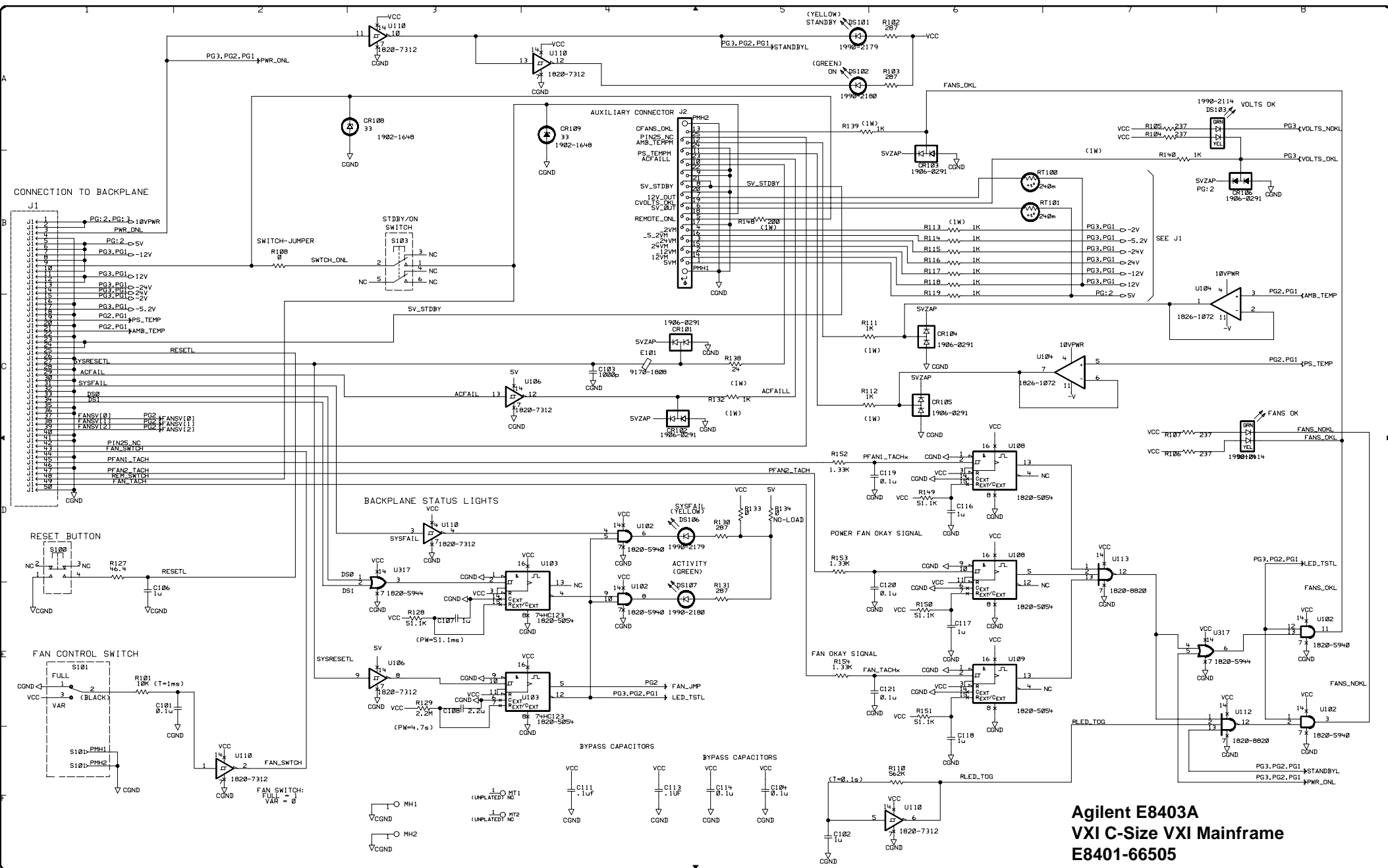
The following is included in this packet:

1. Component locators
2. Schematics
3. Parts lists with Agilent and manufacturer's part numbers

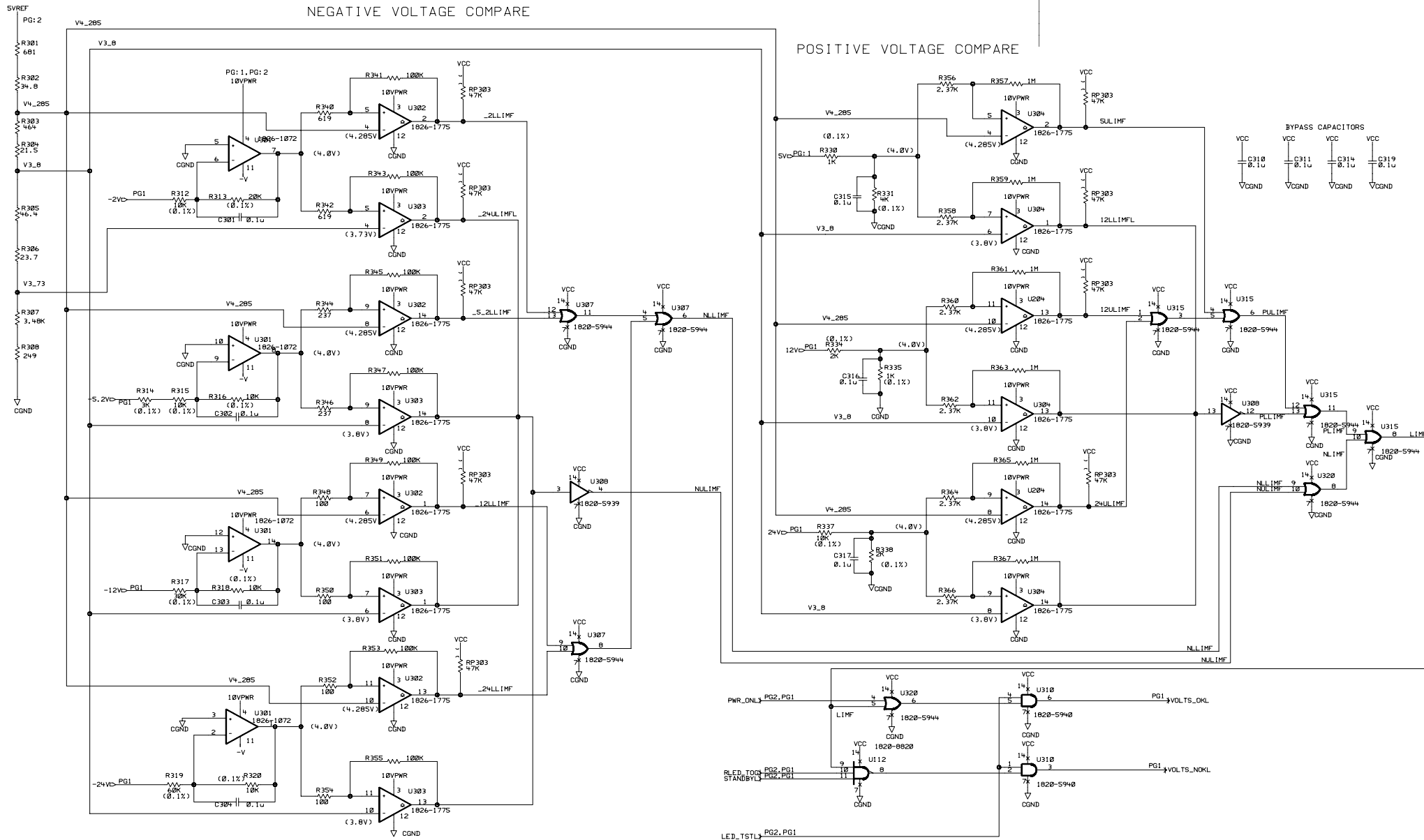


Agilent E8403A
VXI C-Size VXI Mainframe
E8401-66505

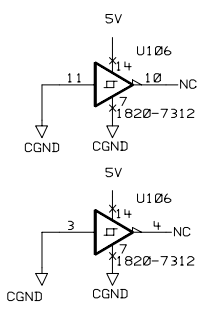
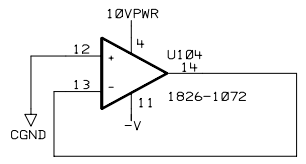
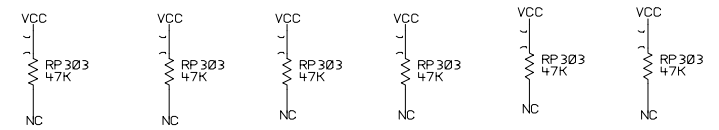
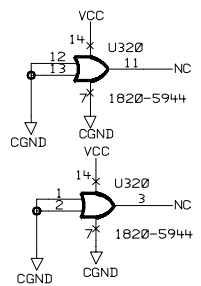
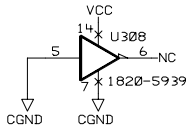
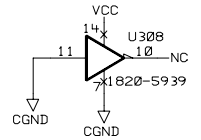
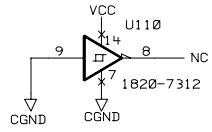
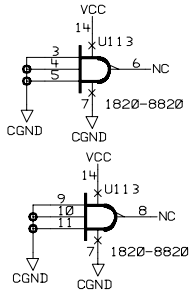
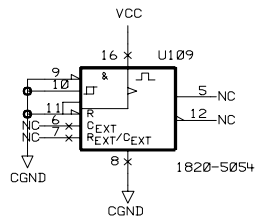
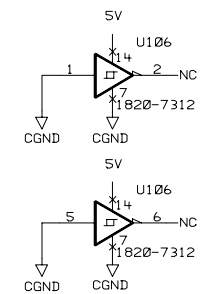
Component Locator



**Agilent E8403A
VXI C-Size VXI Mainframe
E8401-66505
Basic Monitoring**



**Agilent E8403A
VXI C-Size VXI Mainframe
E8401-66505
Voltage Limit Compare**



UNUSED PARTS

E8401-66505 Parts List

Reference Designator	Qty	Agilent Part Number	Description	MPN	Manufacturer
BAG1	1	9222-1568	POUCH-STAT-DISS-SHLD POLYETH LAM ENV	77 WS 77 WS 77 WS 9222-1568	SPECIALTY ENTERPRISES CORROBILT CONTAINER MARK CONTAINER SEALED AIR
C101,C104,C111,C113, C114,C119,C120,C121, C201,C202,C204,C205, C207,C210,C214,C301, C302,C303,C304,C310, C311,C314,C315,C316, C317,C319	26	0160-7798	CAP-FXD 0.1uF +-10PCT 50V CER X7R	08055C104KAT_A C0805C104K5RAC C2012X7R1H104K GRM21BR71H104KA11L NMC0805X7R104K50TRP VJ0805Y104KXAMT	AVX KEMET ELECTRONICS TDK MURATA MANUFACTURING NIC COMPONENTS VISHAY
C102,C106,C107,C116, C117,C118,C215	7	0160-7736	CAP-FXD 1uF +-10PCT 16 V CER X7R	1206YC105KAT C1206C105K4RAC GRM31MR71C105KA01L	AVX KEMET ELECTRONICS MURATA MANUFACTURING
C103	1	0160-5947	CAP-FXD 1000pF +-10pct 50 V CER X7R	08055C102KAT A C0805C102K5RAC C2012X7R1H102K GRM216R71H102KA01D	AVX KEMET ELECTRONICS TDK MURATA MANUFACTURING
C108,C216	2	0160-8559	CAP-FXD 2.2uF +-10PCT 16 V CER X7R 1206	C1206C225K4RAC C3216X7R1C225K	KEMET ELECTRONICS TDK
C203,C209,C211	3	0180-4577	CAPACITOR-FIXED 10uF +-20PCT 10V TA	TAJB106M010R 293D106X0010B2E3 ESVB21A106M T491B106M010AS	AVX VISHAY NEC ELECTRONICS KEMET ELECTRONICS
C212	1	0180-3750	CAP-FXD 0.47uF +-20PCT 35V TA	TAJB474M035 ESVB21V474M T491B474M035AS	AVX NEC ELECTRONICS KEMET ELECTRONICS
C213	1	0180-4287	CAP-FXD 10uF +-20PCT 35V TA	TAJD106M035 293D106X0035D2WE3 ESVD1V106M	AVX VISHAY NEC ELECTRONICS

E8401-66505 Parts List

Reference Designator	Qty	Agilent Part Number	Description	MPN	Manufacturer
CR101,CR102,CR103, CR104,CR105,CR106	6	1906-0291	DIODE-DUAL 70V 100MA T0-236AA	BAV99 BAV99 BAV99LT1G BAV99____X_ BAV99	PHILIPS FAIRCHILD SEMICONDUCTOR ON SEMICONDUCTOR INFINEON TECHNOLOGIES NXP
CR108, CR109	2	1902-1648	DIODE-ZNR 33V 5pct TO-236 (SOT-23) PD=.3W	BZX84-C33 BZX84-C33	PHILIPS NXP
CR201	1	1902-1583	DIODE-ZNR 5.1V 5pct PD=1.5W IR=5UA	1SMB5918BT3G	ON SEMICONDUCTOR
DS101,DS106	2	1990-2179	LED-LAMP LUM-INT=2.5MCD IF=30A-MAX	597-3401-207	DIALIGHT
DS102,DS107	2	1990-2180	LED-LAMP LUM-INT=4MCD IF=30MA-MAX	597-3301-207	DIALIGHT
DS103,DS104,DS201	3	1990-2114	LED-LAMP LUM-INT=2.5MCD IF=30MA-MAX	597-7721-207	DIALIGHT
E101	1	9170-1808	CORE-SHIELDING BEAD	MMZ2012S800A	TDK
J1	1	1252-8598	CONN-POST TYPE 1.27-PIN-SPCG-MTG- END	81050-560203	3M
J2	1	1252-1201	CONN-RECT D-SUBMIN 25-CKT 25-CONT	5788800-1 DM11323-D4	TYCO ELECTRONICS AMP HON HAI PRECISION INDUSTRY
LBL1	1	7121-5459	LABEL-ANTISTATIC 2-IN-WD 3-IN-LG PPR	7121-5459 9035	SPECIALTY ENTERPRISES SANMINA-SCI
LBL2	x	7121-5729	LBL-LNE-PTR; 1.5-IN-WD X .25-IN-LG	THT-45-457-10	BRADY
R101,R244,R245	3	0699-3051	RESISTOR 10K +-1pct .1W TKF TC 0+-100	CRCW080510K0FKE_ RK73H2AT_1002F MCR10__F1002 232273461003L MC08051002-FTW	VISHAY KOA ROHM YAGEO RCD COMPONENTS
R102,R103,R130,R131	4	0699-3028	RESISTOR 287 +-1pct .1W TKF TC=0+-100	CRCW0805287RFKE_ RK73H2AT_2870F 232273462871L MCR10__F2870 MC08052870-FT	VISHAY KOA YAGEO ROHM RCD COMPONENTS

E8401-66505 Parts List

Reference Designator	Qty	Agilent Part Number	Description	MPN	Manufacturer
R104,R105,R106,R107, R236,R237,R344,R346	8	0699-3060	RESISTOR 237 +-1pct .1W TKF TC=0+-100	CRCW0805237RFKE_ RK73H2AT_2370F MCR10___F2370 232273462371 MC08052370-FT	VISHAY KOA ROHM YAGEO RCD COMPONENTS
R108,R133	2	0699-3574	RESISTOR 0 .0625W TKF	CRCW06030000ZSE_ RK73Z1JT 232270296001L MCR03___J000 CJ10-000	VISHAY KOA YAGEO ROHM KYOCERA
R110	1	0699-3009	RESISTOR 562K +-1pct .1W TKF TC=0+-100	CRCW0805562KFKE_ RK73H2AT_5623F MCR10___F5623 232273465624 MC08055623-FT	VISHAY KOA ROHM YAGEO RCD COMPONENTS
R111,R112,R113,R114, R115,R116,R117,R118, R119,R132,R139,R140, R247	13	0699-3408	RES-FXD 1 KOHM +-5PCT 1W TKF TC 0+-200	CRCW25121K00JNE_ MCR100___J102 RK73B3AT___102J	VISHAY ROHM KOA
R127,R305	2	0699-3831	RESISTOR 46.4 +-1pct .1W TKF TC 0+-100	CRCW080546R4FKE_ RK73H2AT_46R4F 232273464649L MCR10___F46R4 MC080546R4-FT	VISHAY KOA YAGEO ROHM RCD COMPONENTS
R128,R149,R150,R151	4	0699-3073	RESISTOR 51.1K +-1pct .1W TKF TC=0+-100	CRCW080551K1FKE_ RK73H2AT_5112F MCR10___F5112 232273465113 MC08055112-FT	VISHAY KOA ROHM YAGEO RCD COMPONENTS
R129	1	0699-3654	RES-FXD 2.2MOHM +-5PCT .1W TC 0+-200 0805	RK73B2AT_225J MCR10___J225 232273061225 MC08052204-JT	KOA ROHM YAGEO RCD COMPONENTS

E8401-66505 Parts List

Reference Designator	Qty	Agilent Part Number	Description	MPN	Manufacturer
R138	1	0699-3760	RES-FXD 24 OHM +-5PCT 1W TKF TC 0+-200 2512	MCR100___J240 RK73B3AT___240J	ROHM KOA
R148	1	0699-2697	RES-FXD 200 OHM +-5pct 1W TC=0+-200 2512	CRCW2512200RJNE_ RK73B3AT_201J MCR100___201	VISHAY KOA ROHM
R152,R153,R154,R216	4	0699-2980	RESISTOR 1.33K +-1pct .1W TKF TC=0+-100	CRCW08051K33FKE_ RK73H2AT_1331F MCR10___F1331 232273461332 MC08051331-FT	VISHAY KOA ROHM YAGEO RCD COMPONENTS
R201	1	0699-1371	RESISTOR 1.33K +-1pct .125W TKF TC=0+-100	CRCW12061K33FKE_ RK73H2BT_1331F MCR18___F1331 232272461332	VISHAY KOA ROHM YAGEO
R202,R203	2	0699-4288	RESISTOR 68 +-5pct 1W TKF TC=0+-200	CRCW251268R0JNE_ MCR100___J680	VISHAY ROHM
R204,R307	2	0699-3041	RESISTOR 3.48K +-1pct .1W TKF TC=0+-100	CRCW08053K48FKE_ RK73H2AT_3481F MCR10___F3481 232273463482 MC08053481-FT	VISHAY KOA ROHM YAGEO RCD COMPONENTS
R205	1	0699-2975	RESISTOR 562 +-1pct .1W TKF TC=0+-100	CRCW0805562RFKE_ RK73H2AT_5620F MCR10___F5620 232273465621 MC08055620-FT	VISHAY KOA ROHM YAGEO RCD COMPONENTS
R206,R308	2	0699-3630	RESISTOR 249 +-1pct .1W TKF TC=0+-100	CRCW0805249RFKE_ RK73H2AT_2490F MCR10___F2490 232273462491 MC08052490-FT	VISHAY KOA ROHM YAGEO RCD COMPONENTS

E8401-66505 Parts List

Reference Designator	Qty	Agilent Part Number	Description	MPN	Manufacturer
R207	1	0699-3884	RESISTOR 40.2 +-1pct .1W TKF TC=0+-100	CRCW080540R2FKE_ RK73H2AT_40R2F MCR10___F40R2 MC080540R2-FT	VISHAY KOA ROHM RCD COMPONENTS
R208	1	0699-2973	RES-FXD 215 +-1PCT 0.1W TKF TC=0+-100	CRCW0805215RFKE_ RK73H2AT_2150F 232273462151L MCR10___F2150 MC08052150-FT	VISHAY KOA YAGEO ROHM RCD COMPONENTS
R209,R210,R212,R214	4	0699-3832	RESISTOR 51.1 +-1pct .1W TKF TC=0+-100	CRCW080551R1FKE_ RK73H2AT_51R1F MCR10___F51R1 232273465119 MC080551R1-FT	VISHAY KOA ROHM YAGEO RCD COMPONENTS
R217	1	0699-4556	RESISTOR 536 +-1pct .1W TKF TC=0+-100	CRCW0805536RFKE_ RK73H2AT_5360F MCR10___F5360 232273465361	VISHAY KOA ROHM YAGEO
R218	1	0699-3044	RESISTOR 4.64K +-1pct .1W TKF TC=0+-100	CRCW08054K64FKE_ RK73H2AT_4641F 232273464642L MCR10___F4641 MC08054641-FT	VISHAY KOA YAGEO ROHM RCD COMPONENTS
R219,R222,R225,R228, R231,R234,R242,R357, R359,R361,R363,R365, R367	13	0699-3077	RESISTOR 1M +-1pct .1W TKF TC=0+-100	CRCW08051M00FKE_ RK73H2AT_1004F MCR10___F1004 232273471005 MC08051004-FT	VISHAY KOA ROHM YAGEO RCD COMPONENTS
R221,R240	2	0699-3069	RESISTOR 19.6K +-1pct .1W TKF TC=0+-100	CRCW080519K6FKE_ RK73H2AT_1962F MCR10___F1962 232273471963	VISHAY KOA ROHM YAGEO

E8401-66505 Parts List

Reference Designator	Qty	Agilent Part Number	Description	MPN	Manufacturer
R224,R227,R230,R233	4	0699-3047	RESISTOR 6.81K +-1PCT .1W TKF TC=0+-100	CRCW08056K81FKE_ RK73H2AT_6811F MCR10___F6811 232273466812 MC08056811-FT	VISHAY KOA ROHM YAGEO RCD COMPONENTS
R246	1	0699-3031	RESISTOR 422 +-1pct .1W TKF TC=0+-100	CRCW0805422RFKE_ RK73H2AT_4220F MCR10___F4220 232273464221 MC08054220-FT	VISHAY KOA ROHM YAGEO RCD COMPONENTS
R248,R249,R250,R251, R252,R253	6	0699-3970	RESISTOR 10K +-1pct .063W TKF TC=0+-200	CRCW060310K0FKE_ RK73H1JT_1002F 232270461003L MCR03___FX1002	VISHAY KOA YAGEO ROHM
R301	1	0699-2977	RESISTOR 681 OHM +-1pct .1W TKF TC 0+-100	CRCW0805681RFKE_ RK73H2AT_6810F MCR10___F6810 232273466811 MC08056810-FT	VISHAY KOA ROHM YAGEO RCD COMPONENTS
R302	1	0699-3843	RESISTOR 34.8 +-1pct .1W TKF TC=0+-100	RK73H2AT_34R8F 232273463489L MCR10___F34R8 CRW080534R8F MC080534R8-FT	KOA YAGEO ROHM VISHAY RCD COMPONENTS
R303	1	0699-3062	RESISTOR 464 +-1pct .1W TKF TC=0+-100	CRCW0805464RFKE_ RK73H2AT_4640F MCR10___F4640 232273464641 MC08054640-FT	VISHAY KOA ROHM YAGEO RCD COMPONENTS

E8401-66505 Parts List

Reference Designator	Qty	Agilent Part Number	Description	MPN	Manufacturer
R304	1	0699-3828	RESISTOR 21.5 +-1pct .1W TKF TC=0+-100	CRCW080521R5FKE_ 232273462159L MCR10__F21R5 MC080521R5-FT RK73H2AT__21R5F	VISHAY YAGEO ROHM RCD COMPONENTS KOA
R306	1	0699-3841	RESISTOR 23.7 +-1pct .1W TKF TC=0+-200	CRCW080523R7FKE_ RK73H2AT__23R7F 232273462379L MCR10__F23R7 MC080523R7-FT	VISHAY KOA YAGEO ROHM RCD COMPONENTS
R312,R315,R316,R318, R320,R337	6	0699-2489	RESISTOR 10K +-0.1pct .125W TF TC=0+-25	RN732BT_1002B25 BLU-1206 10K .1% 25PPM MCA1206-25 0, 1% P5 10K MCA1206-25 0, 1% P5 10K PCF-W1206R031002BT	KOA RCD COMPONENTS VISHAY BC COMPONENTS VISHAY TT ELECTRONICS
R313	1	0699-2491	RESISTOR 20K +-0.1pct .125W TF TC=0+-25	RN732BT_2002B25 BLU-1206 20K .1% 25PPM MCA1206-25 0, 1% P5 20K MCA1206-25 0, 1% P5 20K W1206R032002BT	KOA RCD COMPONENTS VISHAY BC COMPONENTS VISHAY TT ELECTRONICS
R314	1	0699-2826	RESISTOR 3K +-0.1pct .125W TF TC=0+-25	RN732BT_3001B25 BLU-1206 3K .1% 25PPM MCA1206-25 0, 1% P5 3K PTN1206E3001BB W1206R033001BT	KOA RCD COMPONENTS VISHAY BC COMPONENTS VISHAY TT ELECTRONICS

E8401-66505 Parts List

Reference Designator	Qty	Agilent Part Number	Description	MPN	Manufacturer
R317	1	0699-2837	RESISTOR 30K +-0.1pct .125W TF TC=0+-25	RN732BT_3002B25 BLU-1206 30K .1% 25PPM MCA1206-25 0, 1% P5 30K PTN1206E3002BB W1206R033002BT	KOA RCD COMPONENTS VISHAY BC COMPONENTS VISHAY TT ELECTRONICS
R319	1	0699-2485	RESISTOR 60K +-0.1pct .125W TF TC=0+-25	RN732BT_6002B25 BLU-1206 60K .1% 25PPM MCA1206-25 0, 1% P5 60K MCA1206-25 0, 1% P5 60K W1206R036002BT	KOA RCD COMPONENTS VISHAY BC COMPONENTS VISHAY TT ELECTRONICS
R330,R335	2	0699-2490	RESISTOR 1K +-0.1pct .125W TF TC=0+-25	RN732BT_1001B25 BLU-1206 1K .1% 25PPM MCA1206-25 0, 1% P5 1K MCA1206-25 0, 1% P5 1K PCF-W1206R031001BT	KOA RCD COMPONENTS VISHAY BC COMPONENTS VISHAY TT ELECTRONICS
R331	1	0699-2483	RESISTOR 4K +-0.1pct .125W TF TC=0+-25	RN732BTTE4001B25 BLU-1206 4K .1% 25PPM MCA1206-25 0, 1% P5 4K MCA1206-25 0, 1% P5 4K W1206R034001BT	KOA RCD COMPONENTS VISHAY BC COMPONENTS VISHAY TT ELECTRONICS
R334,R338	2	0699-2847	RESISTOR 2K +-0.1pct .125W TF TC=0+-25	RN732BT_2001B25 BLU-1206 2K .1% 25PPM PCF-W1206R032001BT TNPW12062001BT-9	KOA RCD COMPONENTS TT ELECTRONICS VISHAY
R340,R342	2	0699-2976	RESISTOR 619 +-1pct .1W TKF TC=0+-100	CRCW0805619RFKE_ RK73H2AT_6190F MCR10__F6190 2322734X6191 MC08056190-FT	VISHAY KOA ROHM YAGEO RCD COMPONENTS

E8401-66505 Parts List

Reference Designator	Qty	Agilent Part Number	Description	MPN	Manufacturer
R341,R343,R345,R347, R349,R351,R353,R355	8	0699-3993	RESISTOR 100K +-1pct .063W TKF TC=0+-200	CRCW0603100KFKE_ RK73H1JT_1003F 232270461004L MCR03__FX1003	VISHAY KOA YAGEO ROHM
R348,R350,R352,R354	4	0699-3924	RES-FXD 100 +-1PCT .063W TKF TC=0+-200	CRCW0603100RFKE_ CR16-1000-JL RK73H1JT_1000F MCR03__FX1000 232270461001 MC06031000-FT	VISHAY ASJ KOA ROHM YAGEO RCD COMPONENTS
R356,R358,R360,R362, R364,R366	6	0699-3038	RESISTOR 2.37K +-1pct .1W TKF TC=0+-100	CRCW08052K37FKE_ RK73H2AT_2371F MCR10__F2371 232273462372	VISHAY KOA ROHM YAGEO
RP303	1	1810-1129	NET-RES 15 47.0K OHM 16-PIN	767161473G SOMC16-01-473G 4816P-2-473LF	CTS VISHAY BOURNS
RT100,RT101	2	0837-0440	THERMISTOR-SWITCHING	SMD100F-2	TYCO INTERNATIONAL
S100	1	3101-2288	SWITCH-PB SPDT-NO MOM .25A 115 VAC	39-251 RED	GRAYHILL
S101	1	3101-3488	SWITCH-SL SPDT MINTR 0.4VA 20VAC PC THT	1101M2S4AV2BE2	ITT INDUSTRIES
S103	1	3101-2894	SWITCH-PB DPDTALTNG .01A 100 VAC	F2UEE AU	ITT INDUSTRIES
U102,U310	2	1820-5940	IC GATE CMOS/ACT AND QUAD 2-INP	MC74ACT08DG 74ACT08SCX.	ON SEMICONDUCTOR FAIRCHILD SEMICONDUCTOR
U103,U108,U109	3	1820-5054	IC MV CMOS/HC MONOSTBL RETRIG DUAL	MM74HC123AMX TC74HC123AFN	FAIRCHILD SEMICONDUCTOR TOSHIBA
U104,U301	2	1826-1072	IC OP AMP GP QUAD 14 PIN PLSTC-SOIC	LM324D LM324D LM324M LM324DG	STMICROELECTRONICS TEXAS INSTRUMENTS NATIONAL SEMICONDUCTOR ON SEMICONDUCTOR
U106,U110	2	1820-7312	IC SCHMITT-TRIG CMOS/ACT INV HEX	MC74ACT14DR2G SN74ACT14D	ON SEMICONDUCTOR TEXAS INSTRUMENTS

E8401-66505 Parts List

Reference Designator	Qty	Agilent Part Number	Description	MPN	Manufacturer
U112, U113	2	1820-8820	IC GATE CMOS/ACT NAND TPL 3-INP	74ACT10SC MC74ACT10D__G	FAIRCHILD SEMICONDUCTOR ON SEMICONDUCTOR
U201	1	1826-2817	IC PWR MGT-V-REF-FXD 4.975/5.025V 3 PINS	LM4040CIM3-5.0-NOPB	NATIONAL SEMICONDUCTOR
U202	1	1826-1734	IC PWR MGT-V-REG-FXD-POS 4.8/5.2V 3 PINS	L78M05CDT-TR UA78M05CKTP MC78M05CDTRKG	STMICROELECTRONICS TEXAS INSTRUMENTS ON SEMICONDUCTOR
U203	1	1826-2326	IC PWR MGT-VOLTAGE CONVERTER 1.5/10V 8	ICL7660CSA+	MAXIM INTEGRATED PRODUCTS
U204,U207,U302,U303, U304	5	1826-1775	IC COMPARATOR LP QUAD 14 PIN PLSTC-SOIC	LM339AD	TEXAS INSTRUMENTS
U208,U307,U315,U317, U320	5	1820-5944	IC GATE CMOS/ACT OR QUAD 2-INP	MC74ACT32DG 74ACT32SCX. CD74ACT32M	ON SEMICONDUCTOR FAIRCHILD SEMICONDUCTOR TEXAS INSTRUMENTS
U308	1	1820-5939	IC INV CMOS/ACT HEX 14-SOIC	MC74ACT04DG 74ACT04SCX_NL	ON SEMICONDUCTOR FAIRCHILD SEMICONDUCTOR
XDS101	1	1000-1117	LENS ARY LED LIGHT PIPE; 1 ARRAY; 5 MM	515-1011	DIALIGHT
XDS102, XDS104	2	1000-1118	LENS ARY LED LIGHT PIPE; 3 ARRAY; 5 MM	515-1010	DIALIGHT
XS103	1	5041-0564	KEY, QUARTER	5041-0564	MOS PLASTICS
	0.01	4093-0769	MOLDING COMPOUND ABS CW	CYCOLAC T-2-22569 CYCOLAC T-22596	UBE CYCON GENERAL ELECTRIC
	1	E8401-26505	BLANK PC BOARD		

Manual Part Number: 5989-6167EN
Printed in U.S.A. February 2007
Copyright © 2007 Agilent Technologies, Inc. All Rights Reserved.

