




Low Distortion Generator HM 8037-2

Service-Manual



	Hersteller Manufacturer Fabricant	HAMEG Instruments GmbH Industriestraße 6 D-63533 Mainhausen	KONFORMITÄTSERKLÄRUNG DECLARATION OF CONFORMITY DECLARATION DE CONFORMITE	
	Die HAMEG Instruments GmbH bescheinigt die Konformität für das Produkt The HAMEG Instruments GmbH herewith declares conformity of the product HAMEG Instruments GmbH déclare la conformité du produit		Sicherheit / Safety / Sécurité EN 61010-1: 1993 / IEC (CEI) 1010-1: 1990 A 1: 1992 / VDE 0411: 1994 EN 61010-1/A2: 1995 / IEC 1010-1/A2: 1995 / VDE 0411 Teil 1/A1: 1996-05 Überspannungskategorie / Overvoltage category / Catégorie de surtension: II Verschmutzungsgrad / Degree of pollution / Degré de pollution: 2	
Bezeichnung / Product name / Designation:		Klirrarmer Sinus-Generator Low Distortion Generator Générateur sinusoïdales à faible distorsion	Elektromagnetische Verträglichkeit / Electromagnetic compatibility / Compatibilité électromagnétique	
Typ / Type / Type:	HM8037-2		EN 61326-1/A1 Störaussendung / Radiation / Emission: Tabelle / table / tableau 4, Klasse / Class / Classe B. Störfestigkeit / Immunity / Imunitee: Tabelle / table / tableau A1.	
mit / with / avec:	HM8001/2		EN 61000-3-2/A14 Oberschwingungsströme / Harmonic current emissions / Émissions de courant harmonique: Klasse / Class / Classe D.	
Optionen / Options / Options:	-		EN 61000-3-3 Spannungsschwankungen u. Flicker / Voltage fluctuations and flicker / Fluctuations de tension et du flicker.	
mit den folgenden Bestimmungen / with applicable regulations / avec les directives suivantes		EMV Richtlinie 89/336/EWG ergänzt durch 91/263/EWG, 92/31/EWG EMC Directive 89/336/EEC amended by 91/263/EWG, 92/31/EEC Directive EMC 89/336/CEE amendée par 91/263/EWG, 92/31/CEE	Datum/Date/Date 15.01.2001	Unterschrift / Signature / Signature
Niederspannungsrichtlinie 73/23/EWG ergänzt durch 93/68/EWG Low-Voltage Equipment Directive 73/23/EEC amended by 93/68/EEC Directive des équipements basse tension 73/23/CEE amendée par 93/68/CEE				 Manuel Roth Manager
Angewendete harmonisierte Normen / Harmonized standards applied / Normes harmonisées utilisées				

General information regarding the CE marking

HAMEG instruments fulfill the regulations of the EMC directive. The conformity test made by HAMEG is based on the actual generic- and product standards. In cases where different limit values are applicable, HAMEG applies the severer standard. For emission the limits for residential, commercial and light industry are applied. Regarding the immunity (susceptibility) the limits for industrial environment have been used.

The measuring- and data lines of the instrument have much influence on emission and immunity and therefore on meeting the acceptance limits. For different applications the lines and/or cables used may be different. For measurement operation the following hints and conditions regarding emission and immunity should be observed:

1. Data cables

For the connection between instruments resp. their interfaces and external devices, (computer, printer etc.) sufficiently screened cables must be used. Without a special instruction in the manual for a reduced cable length, the maximum cable length of a dataline must be less than 3 meters and not be used outside buildings. If an interface has several connectors only one connector must have a connection to a cable. Basically interconnections must have a double screening. For IEEE-bus purposes the double screened cables HZ72S and HZ72L from HAMEG are suitable.

2. Signal cables

Basically test leads for signal interconnection between test point and instrument should be as short as possible. Without instruction in the manual for a shorter length, signal lines must be less than 3 meters and not be used outside buildings. Signal lines must be screened (coaxial cable - RG58/U). A proper ground connection is required. In combination with signal generators double screened cables (RG223/U, RG214/U) must be used.

3. Influence on measuring instruments.

Under the presence of strong high frequency electric or magnetic fields, even with careful setup of the measuring equipment an influence of such signals is unavoidable.

This will not cause damage or put the instrument out of operation. Small deviations of the measuring value (reading) exceeding the instruments specifications may result from such conditions in individual cases.

HAMEG Instruments GmbH

Declaration of Conformity	2
General information regarding the CE-marking	2
Function Generator HM8037-2	4
Specifications	5
Control elements	6
Adjustment	6
Calibration	7
Circuit and layout diagrams	8

50 kHz Low-Distortion Sine Wave Generator HM8037



Frequency range 5 Hz to 50 kHz

Mainframe HM8001-2



A complete measurement system for AF measurement equipment in combination with the HM8027

3-digit digital frequency display

High amplitude stability

HZ33, HZ34
Test cable BNC/BNC



Distortion factor < 0.01 % (20 Hz-10 kHz)

Output voltage $1.5 V_{\text{rms}}$ into 600Ω

Mainframe HM8001-2 required for operation

Distortion Meter HM8027



50 kHz Low-Distortion Sine Wave Generator HM8037

Valid at 23 °C after a 30 minute warm-up period

Operating modes

Sine wave, continuous, amplitude-regulated

Frequency range:

5 Hz bis 50 kHz, 4 ranges
variable control 10:1, overlapping ranges

Frequency drift

[Frequency control in center position]

15 min.	0.08 %	(50 kHz range)
8 hrs.	0.6 %	(50 kHz range)
15 min.	0.08 %	(in all other ranges)
8 hrs.	0.5 %	(in all other ranges)

Frequency display

3-digit, 7-segment LED display

Display accuracy: ±1 digit

Distortion factor

5 Hz - 20 Hz:	max. 0.03 %
20 Hz - 10 kHz:	max. 0.01 %
1 kHz:	typ. 0.005 %
10 kHz - 20 kHz:	max. 0.03 %
20 kHz - 50 kHz:	max. 0.05 %

Signal output (short-circuit proof)

Output voltage:	1.5 V into 600 Ω
Internal resistance:	approx. 600 Ω
Amplitude flatness:	max. ±0.2 dB (5 Hz to 50 kHz)
Attenuation:	min. 60 dB 2 fixed attenuators: each 20 dB ± 0.2 dB
variable control:	0 dB to 20 dB
Amplitude stability:	0.12 % (4 hrs.)

Synchronous output (short-circuit proof)

Output voltage:	2 V _{pp} , sine wave
Internal resistance:	ca. 1 kΩ

Miscellaneous

The outputs can be isolated from the case ground by pressing a key.

Power supply (from mainframe):

+5 V/120 mA
+15 V/30 mA
-15 V/30 mA
(Σ = 6.3 W)

Operating temperature: +10° C to +40° C

Max. relative humidity: 80 % (without condensation)

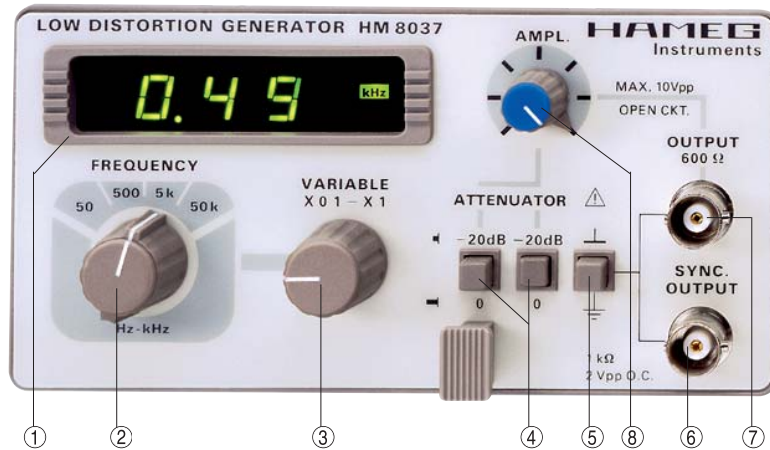
Dimensions (W x H x D) (without 22-pole flat plug):

135 x 68 x 228 mm

Weight: approx. 0.65 kg

Accessories supplied: Operator's Manual

Optional accessories: HZ33/34 BNC Test Cable; HZ22 50 Ω feed-through termination; HZ10 Silicone test leads



Control elements

- ① **DISPLAY** (7-segment LED + LED)
3-digit frequency meter. Accuracy ± 1 digit. LED indicators for Hz and kHz.
- ② **FREQUENCY** (4-position rotary switch)
Frequency coarse adjustment from 5 Hz to 50 kHz in 4 decade steps.
- ③ **VARIABLE** (adjusting knob)
Continuous frequency adjustment. Overlapping the ranges selected with ②. Setting range is from $\times 0,1$ to $\times 1$ of selected range.
- ④ **-20 dB Attenuators** (pushbuttons)
Two fixed attenuators of -20 dB. They can be used separately. When all buttons are pressed, a total attenuation of -40 dB is obtained. Including the amplitude control ⑧, the max. attenuation amounts to -60 dB (factor: 1000).
- ⑤ **GROUND** (pushbutton)
When pressing, signal ground and chassis (earth) are not connected together; when released, signal ground and chassis are connected with each other.
- ⑥ **SYNCHRONIZING OUTPUT** (BNC connector)
Short-circuit-proof trigger signal output of same phase and amplitude as ⑦. Output amplitude is $2V_{pp}$ open circuit. Output impedance is $1\text{ k}\Omega$.
- ⑦ **600 Ω OUTPUT** (BNC connector)
Short-circuit-proof signal output of generator. Output impedance 600Ω .
- ⑧ **AMPLITUDE** (adjusting knob)
Continuous adjustment of output amplitude from 0 dB to -20 dB when output ⑦ is terminated with 600Ω .

Adjustment

- 1 **ADJUSTMENT OF VREG (CONTROL LOOP ERROR VOLTAGE)**
 - a) Connect a DC multimeter (10V range) or an oscilloscope between REG and GND (CN6 connector).
 - b) Switch to 50 kHz frequency range. Adjust the frequency control in order to have 50.0 kHz.
 - c) Switch to 500 Hz frequency range. Note the voltage between REG and GND.
 - d) Switch to 50 kHz frequency range. Adjust VC1 in order to have the same potential measured in step 3).
 - e) Repeat step 2 to 4.
- 2 **ADJUSTMENT OF OUTPUT VOLTAGE**
 - a) Adjust AMP control for maximum signal.
 - b) Adjust VARIABLE control for minimum frequency, 5 kHz range.
 - c) Connect an AC multimeter to OUTPUT 600Ω .
 - d) Adjust RV3 to get $3.250 V_{rms}$.
- 3) **VERIFICATIONS**
 - a) Set the instrument to 5 kHz range.
 - b) Connect an oscilloscope to the OUTPUT 600Ω .
 - c) Check the signal stability for all frequencies.
 - d) Check the presence of a sine signal.
 - e) Check the isolation of the BNC from the earth.

Calibration

VISUAL CONTROL

Font panel, buttons

ELECTRICAL CONTROL

- a) OUTPUT AMPLITUDE:
 - Connect the multimeter (HM8012, 50V_{AC}) to the OUTPUT 600Ω
 - Select 5kHz frequency range, VARIABLE control to the left, AMPL. control to the right
 - Output voltage must be between 3.100 and 3.300 V_{rms}
 - Set AMPL. Control to the left. Output voltage must be below 0.320 V_{rms}
 - Connect the multimeter to the SYNC OUTPUT. Reading voltage must be between 0.6 and 0.750 V_{rms}
- b) FREQUENCY LIMITS
 - Select 50 kHz frequency range
 - VARIABLE control to the left: frequency readings below 4.9
 - VARIABLE control to the right: frequency readings above 50.5
- c) DISTORSION LEVELS (with KROHN HITE)
 - Check the VARIABLE control linearity. AMPL. Control to the right, 5kHz range

- Turn slowly the AMPL. control from right to left. The signal must be a sine signal without visual distortion
- Set the AMPL. control to the right. Push the first 20 dB button. Set the oscilloscope for 10 X sensitivity. The signal must have 6 divisions amplitude.
- Push the second 20 dB button and release the first one. The amplitude of the signal must be the same.
- Check the presence of the SYNC signal.

ISOLATION KEY CHECKING

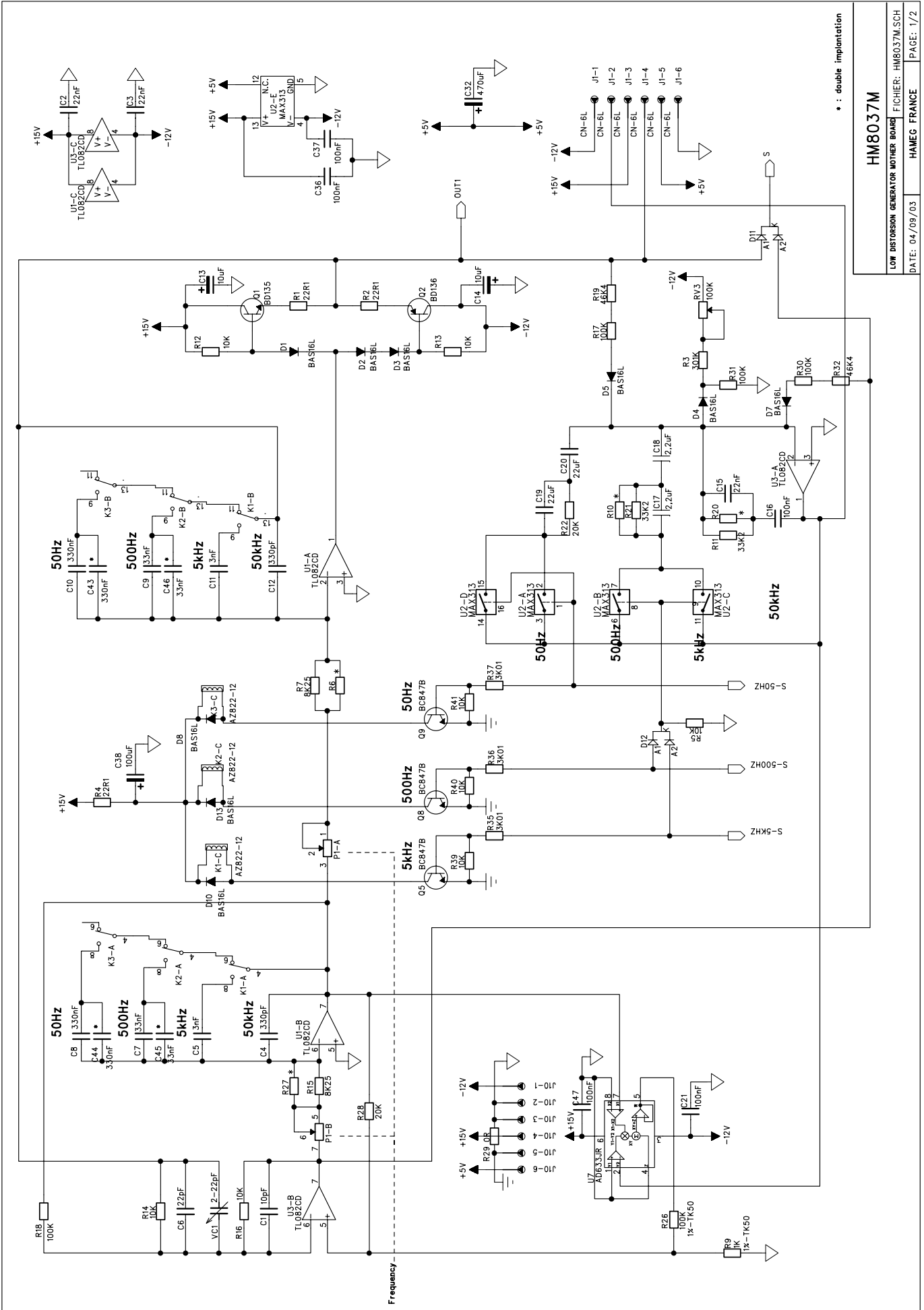
Check the isolation between ground and earth with a component tester

VARIABLE	KROHN-HITE	MAX (%)	TYPICAL (%)
1.00 kHz	1-10kHz range	0.01	0.003
1.20 kHz			
1.40 kHz			
1.60 kHz			
1.80 kHz			
2.00 kHz			
2.20 kHz			
2.40 kHz			
2.60 kHz			
2.80 kHz			

HM8037 RANGE	KROHN HITE RANGE	Variable	Max. (%)	TYPICAL (%)
50 Hz	10 - 100	20 Hz	0.01	0.003
500 Hz	10-100	left		
500 Hz	100 - 1k	100 Hz		
50 kHz	100 - 1k	left	0.03	0.0035
50 kHz	10 - 110k	10 kHz		
50 kHz	10 - 110k	20 kHz		
50 kHz	10- 110k	right	0.05	0.015

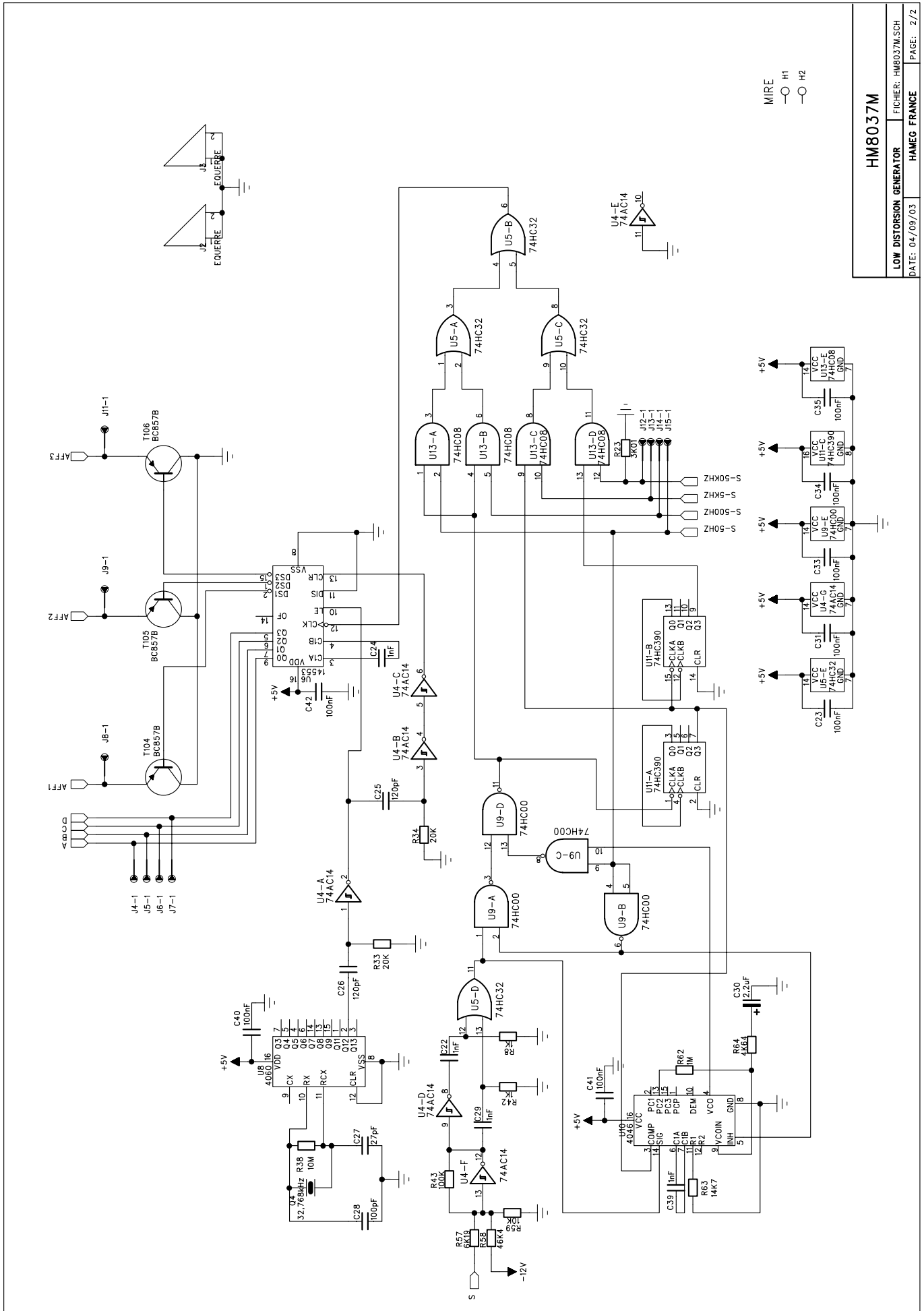
OUTPUT ATTENUATORS CHECK

- Connect a 600Ω load and an oscilloscope to the OUTPUT 600Ω
- Adjust the oscilloscope in order to have a 6 divisions amplitude signal
- Check that the amplitude is stable on all frequency ranges, for all positions of the VARIABLE control potentiometer.



HM8037M

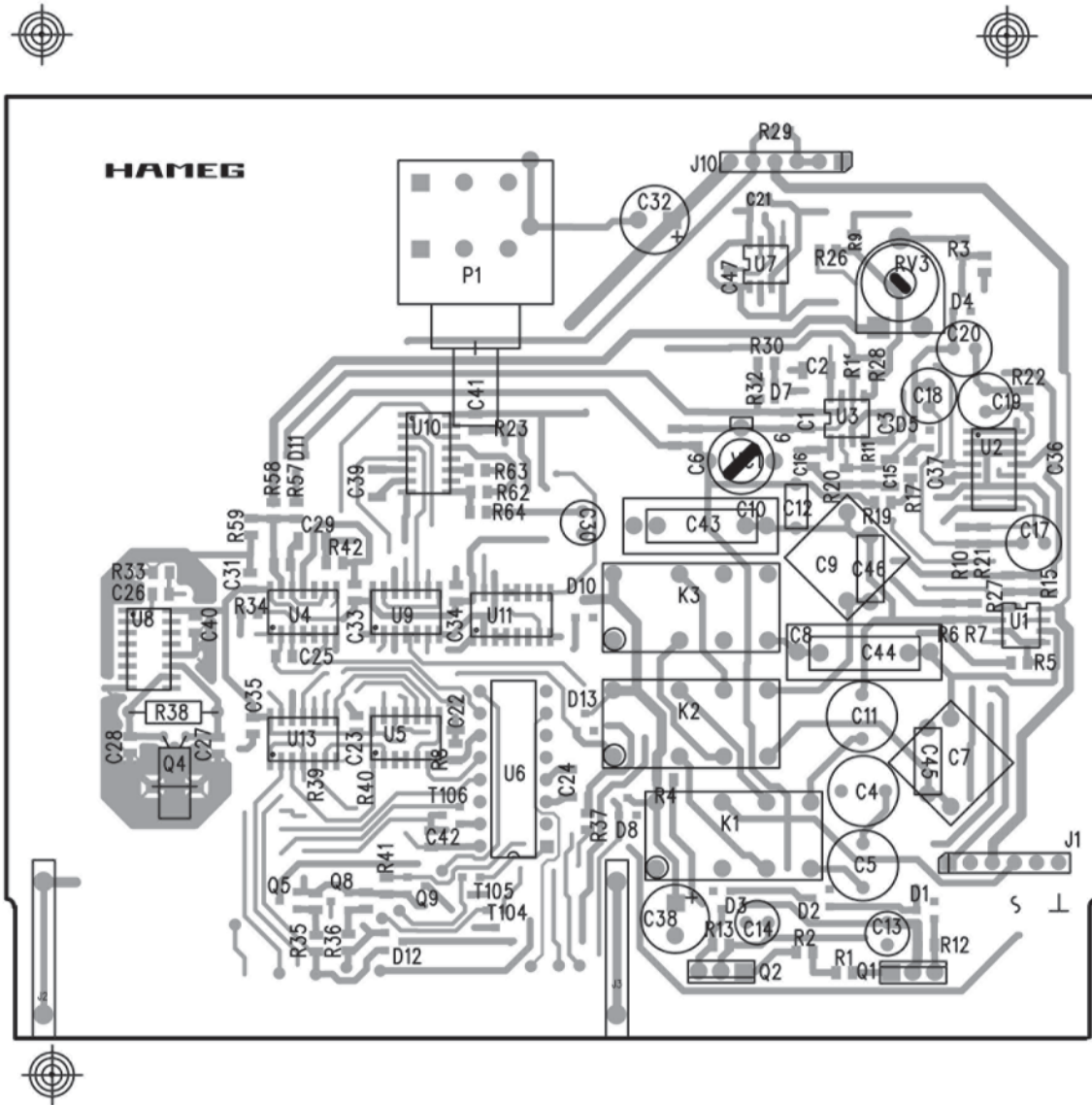
LOW DISTORTION GENERATOR MOTHER BOARD FICHER: HM8037M.SCH
 DATE: 04/09/03 HAMEG FRANCE PAGE: 1/2

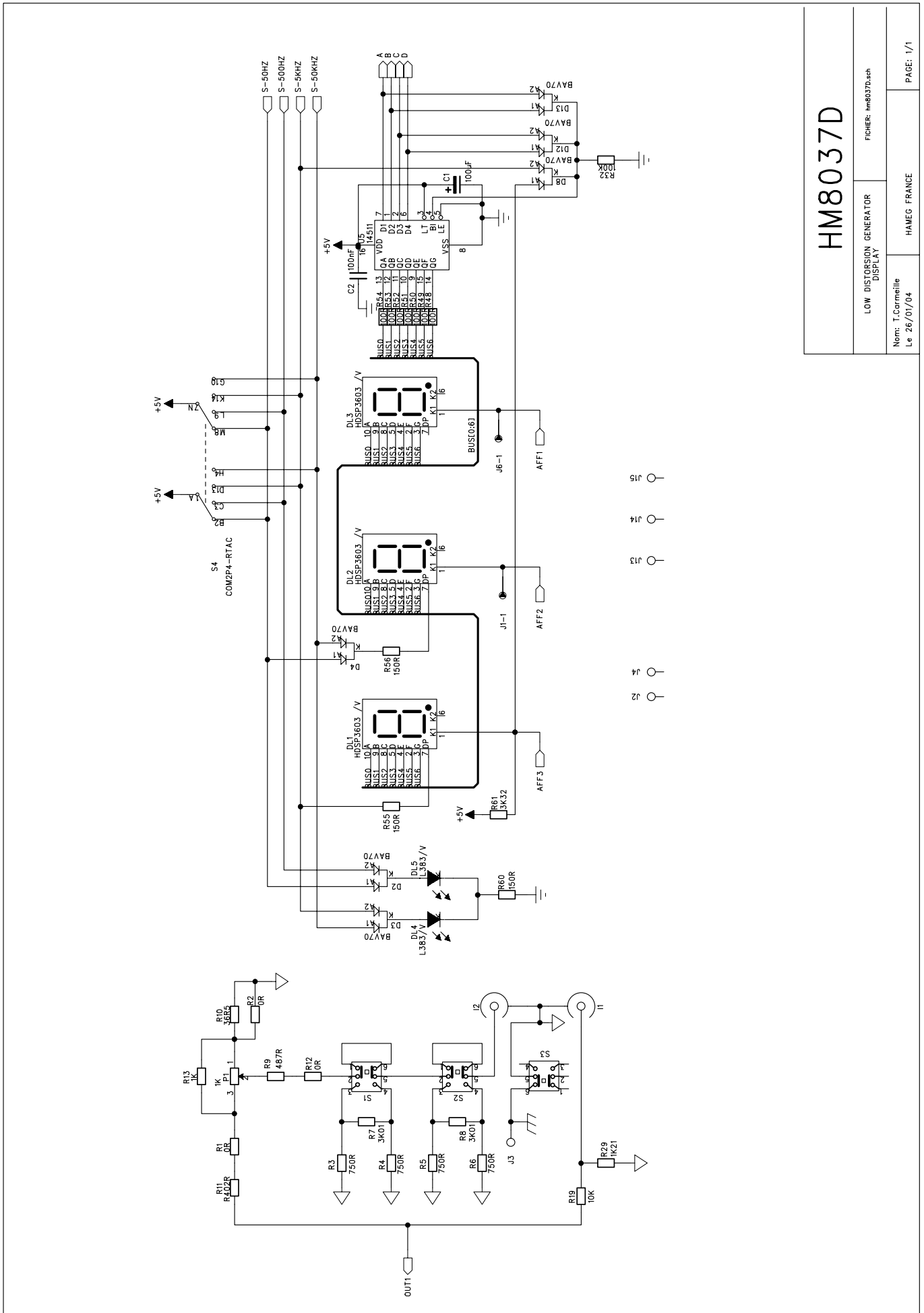


MIRE
 ○ H1
 ○ H2

HMB037M

LOW DISTORSION GENERATOR	FICHER: HMB037M.SCH
DATE: 04/09/03	HAMEG FRANCE
PAGE: 2 / 2	





HM8037D

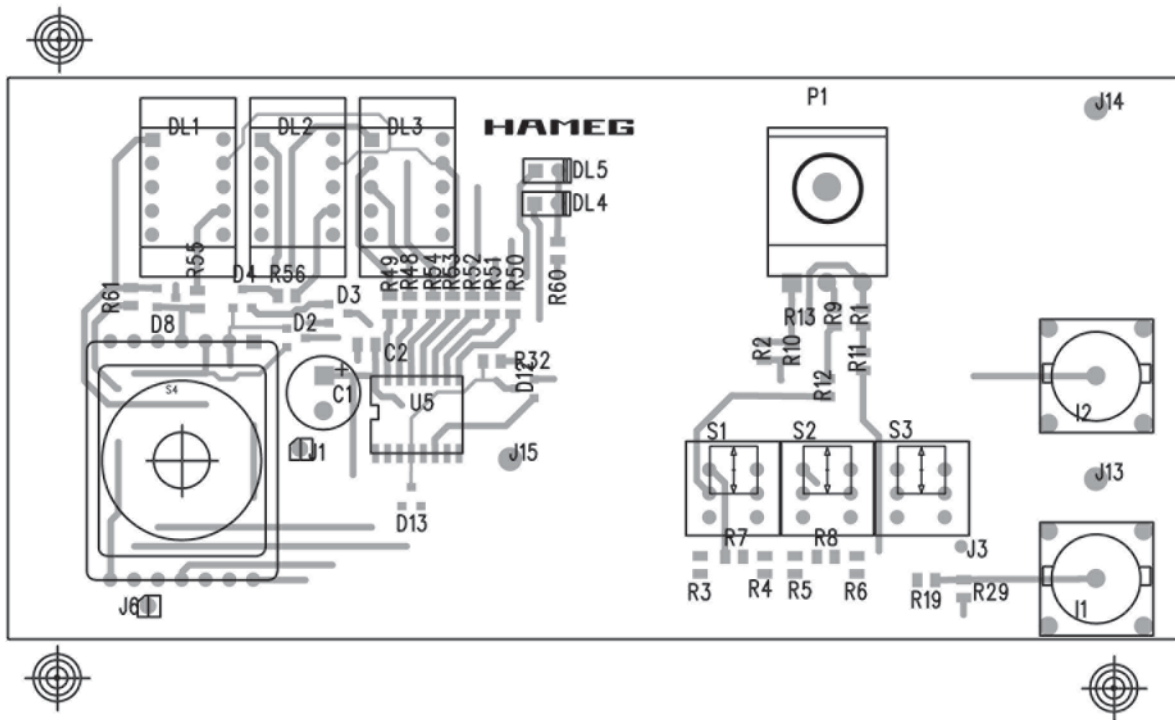
LOW DISTORTION GENERATOR
DISPLAY

FICHER: hm8037D.ch

Norm: T.Cornuelle
Le 26/01/04

HAMEG FRANCE

PAGE: 1/1



Oscilloscopes



Spectrum Analyzer



Power Supplies



Modular System
8000 Series



Programmable Instruments
8100 Series



authorized dealer



4S-8037-02E0

www.hameg.de

Subject to change without notice

4S-8037-02E0 / 04-11-2005-gw

© HAMEG Instruments GmbH

A Rohde & Schwarz Company

® registered trademark



DQS-Certification: DIN EN ISO 9001:2000

Reg.-Nr.: 071040 QM

HAMEG Instruments GmbH

Industriestraße 6

D-63533 Mainhausen

Tel +49 (0) 61 82 800-0

Fax +49 (0) 61 82 800-100

sales@hameg.de