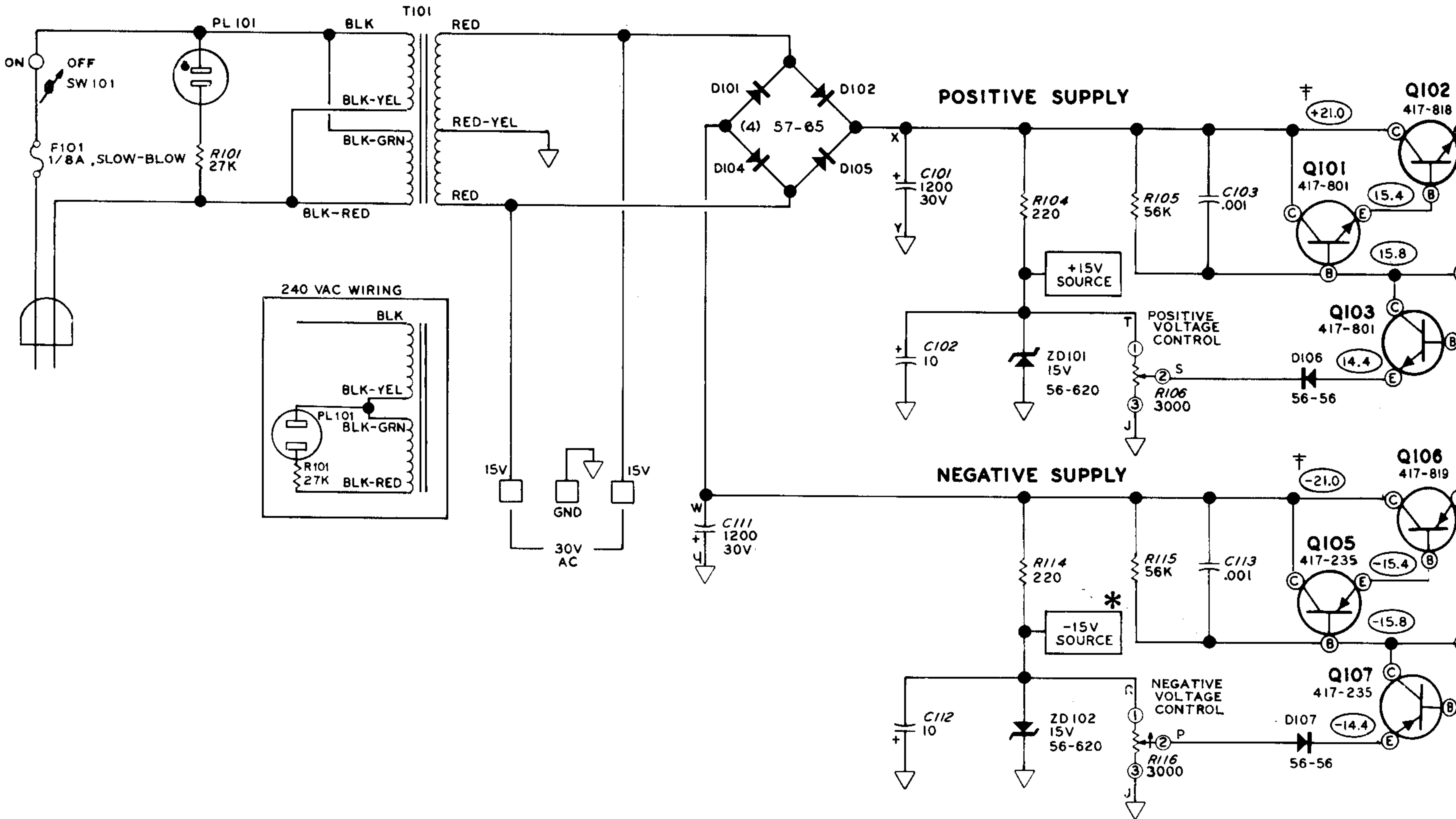
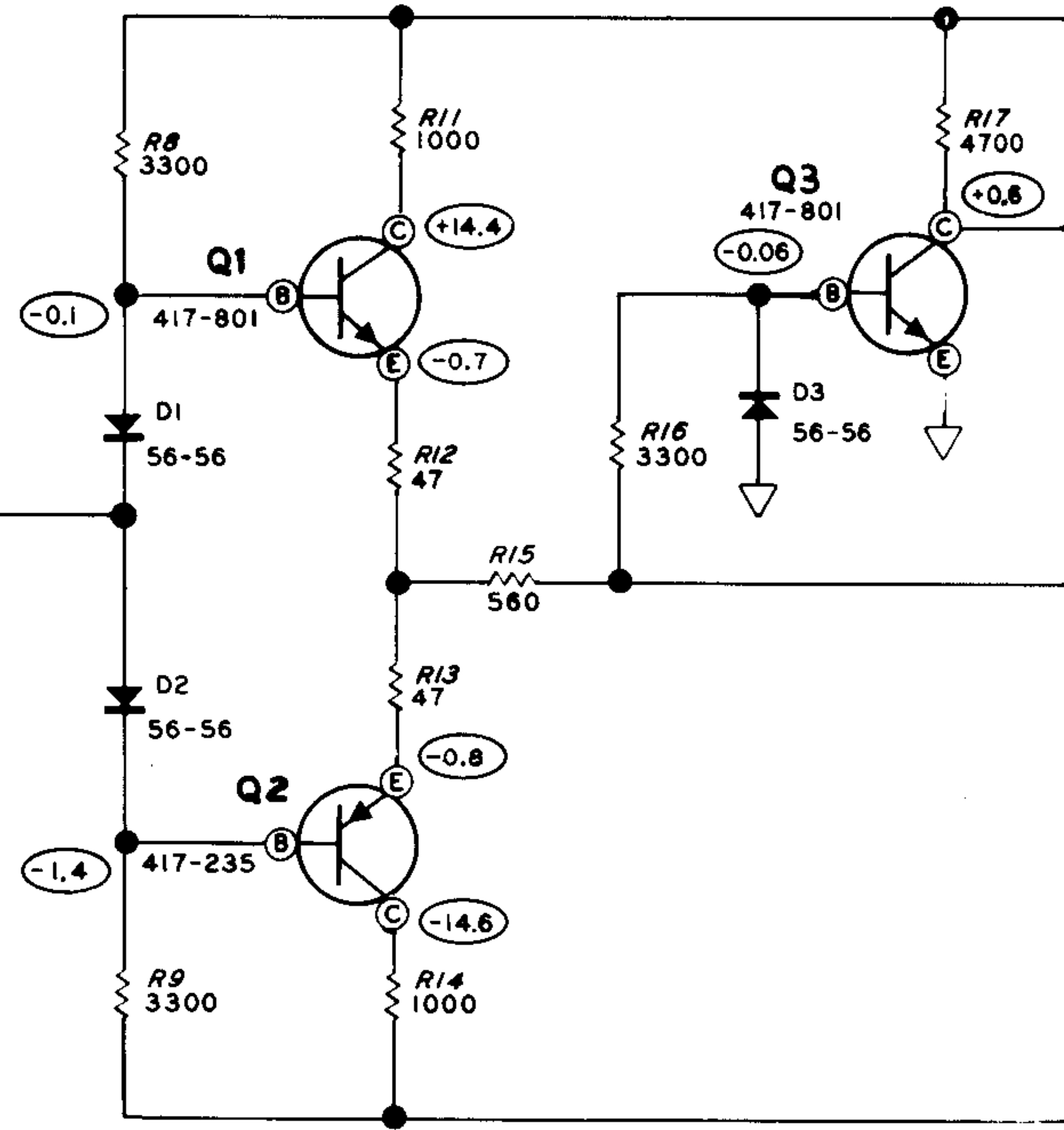
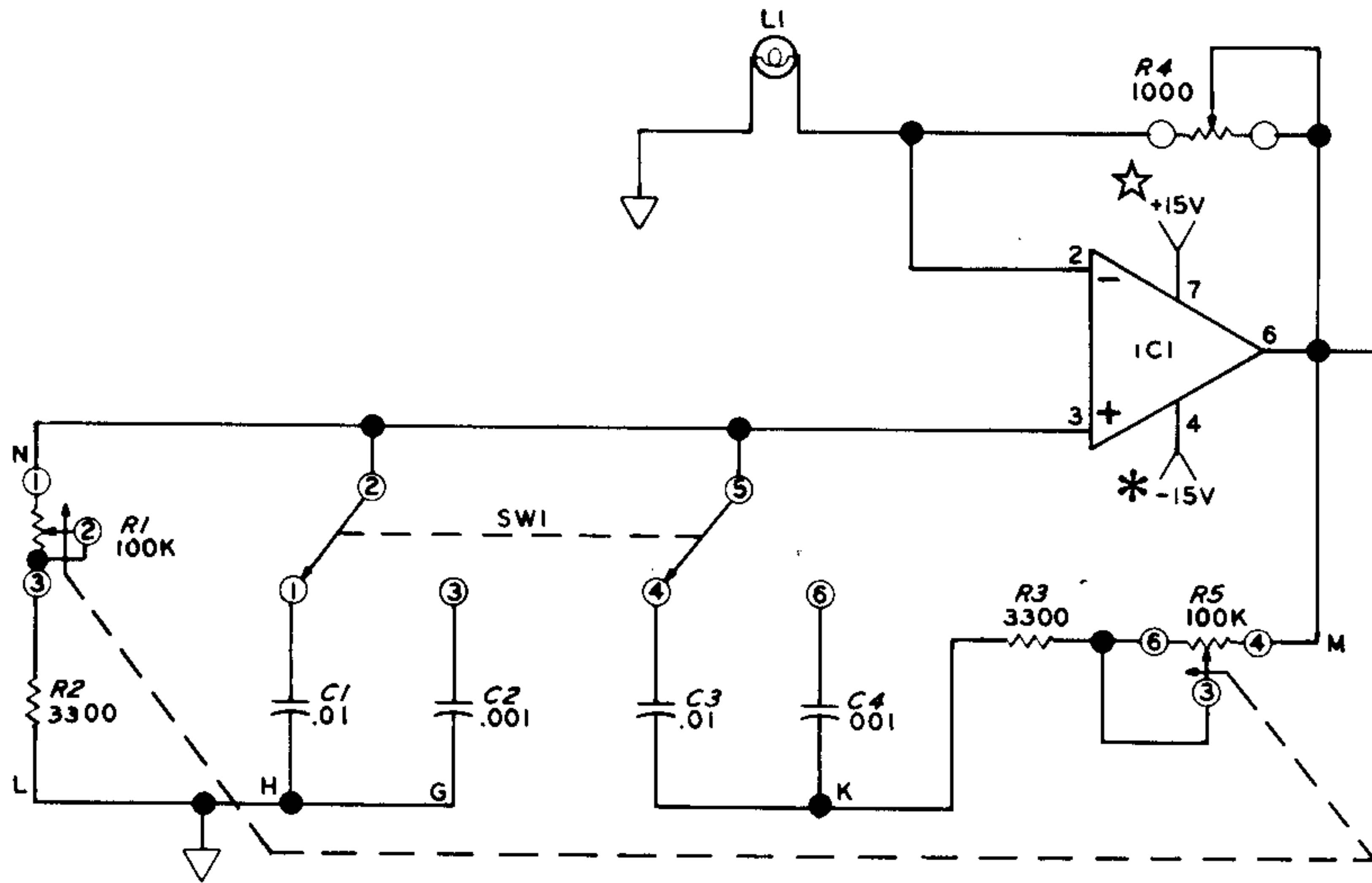
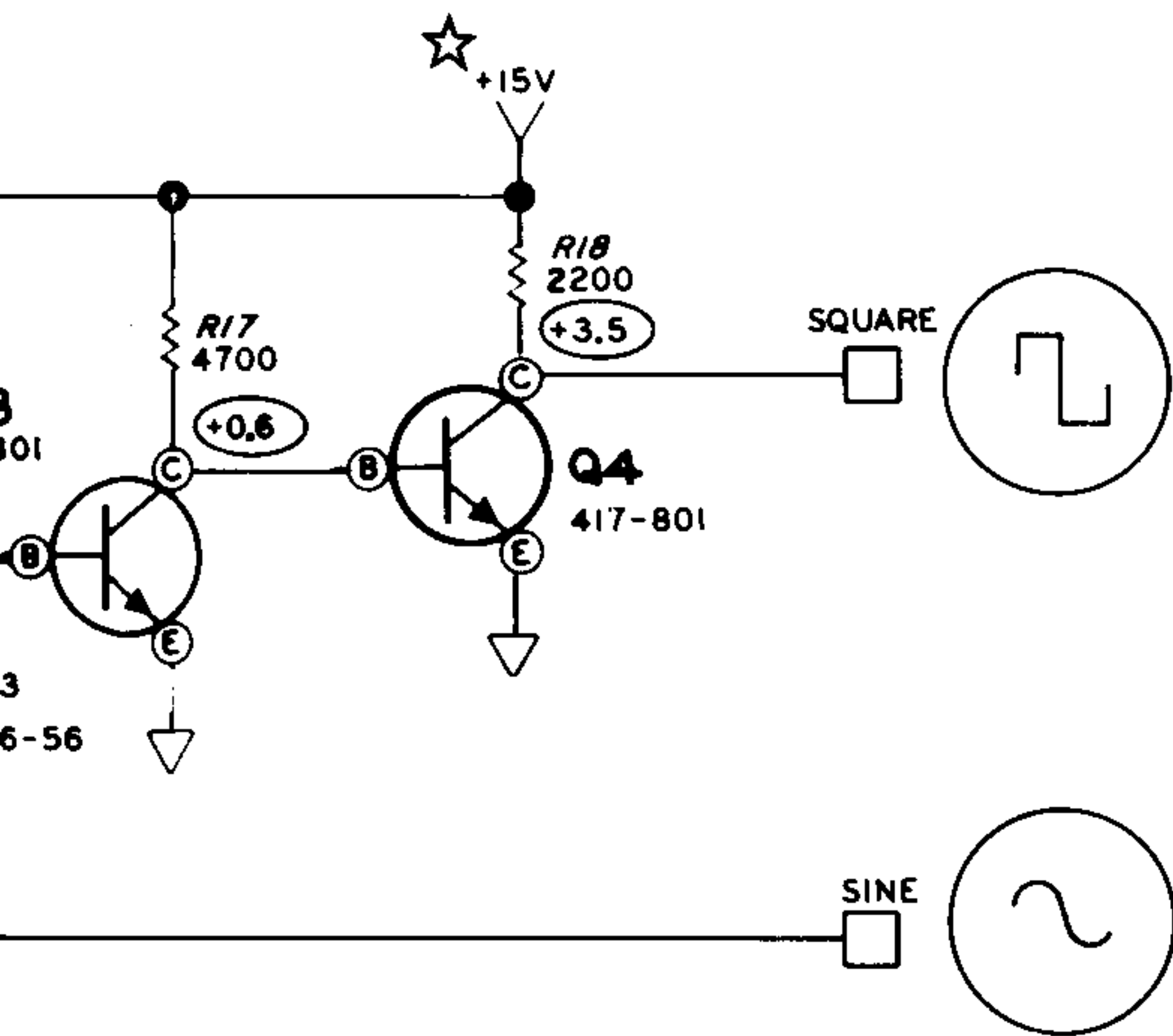
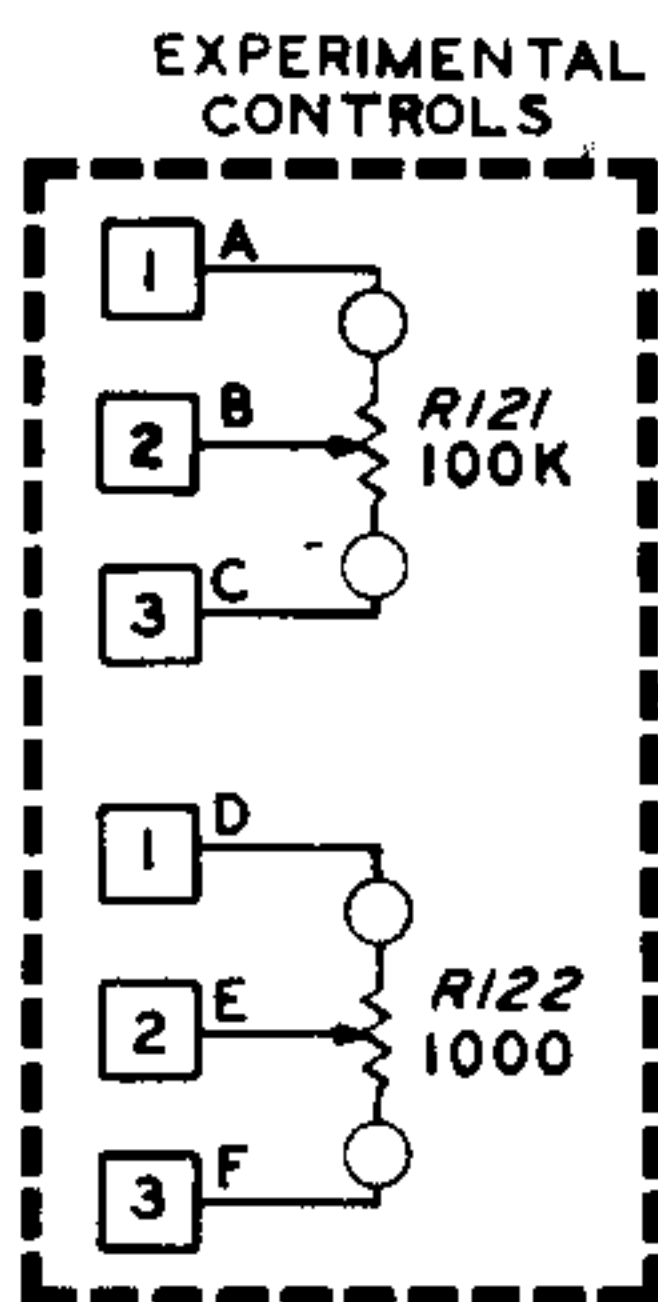


SIGNAL GENERATOR



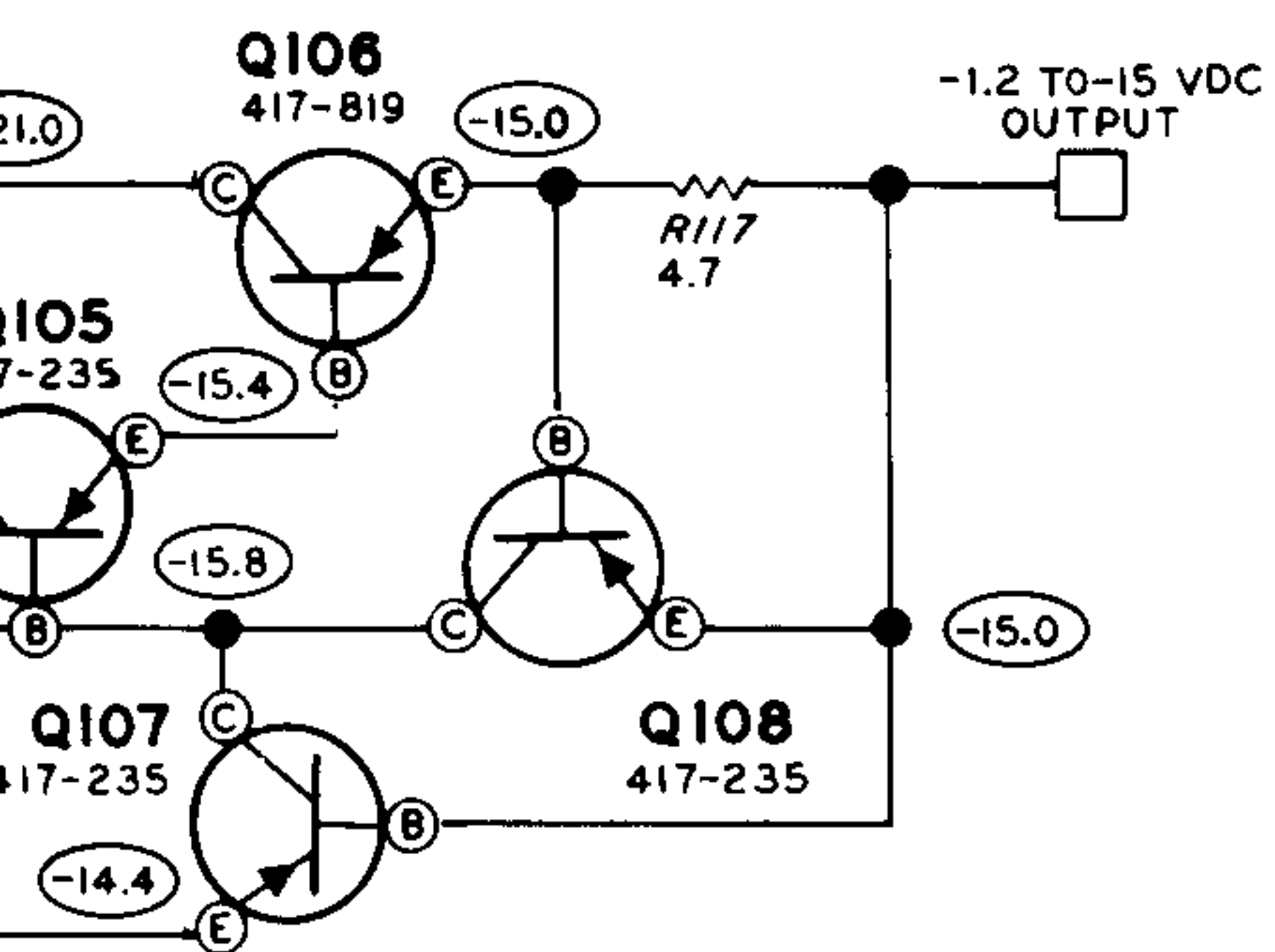
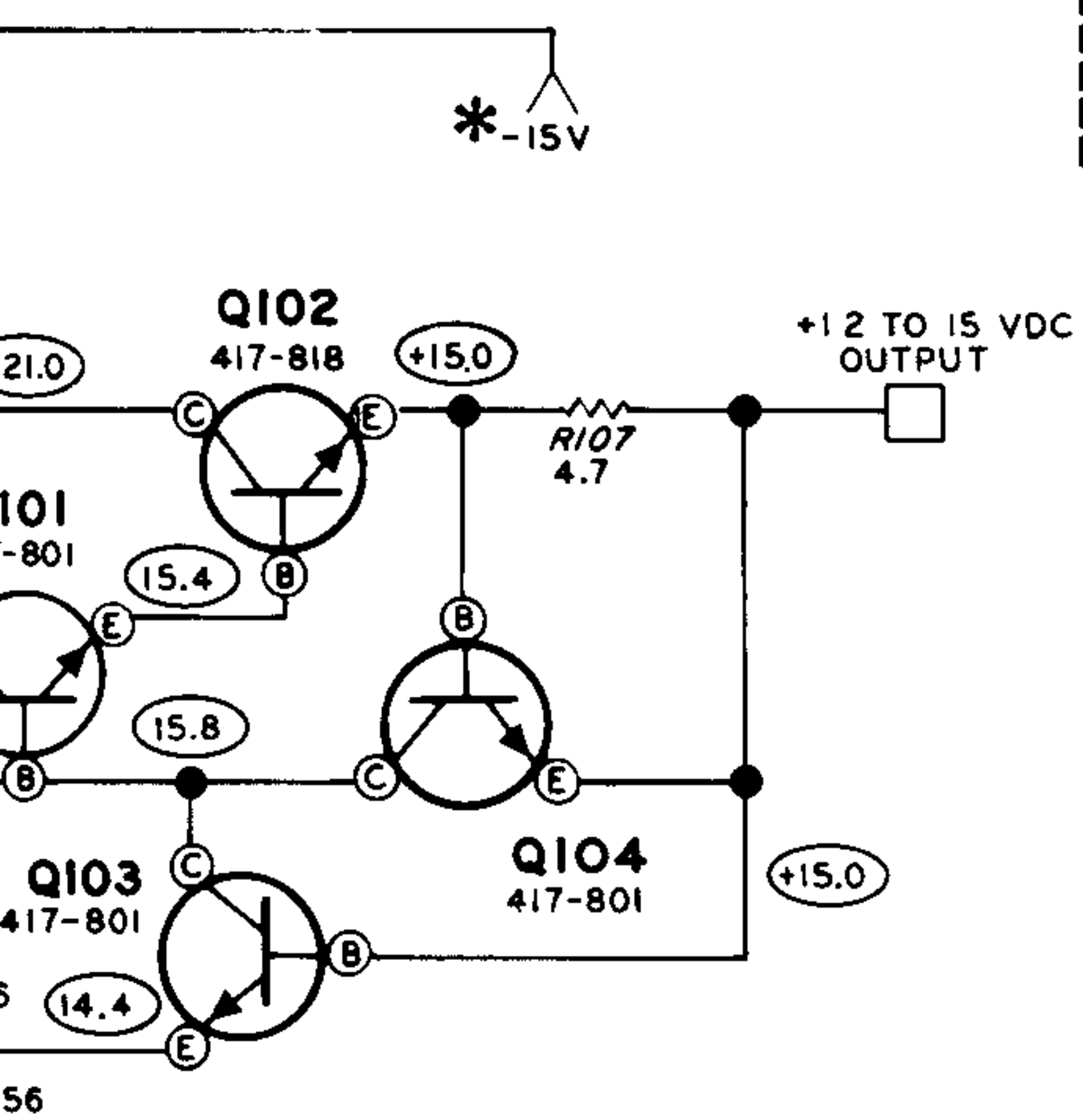


SCHEMATIC OF THE HEATHKIT[®] ELECTRONIC DESIGN EXPERIMENTER MODEL ET-3100



NOTES:

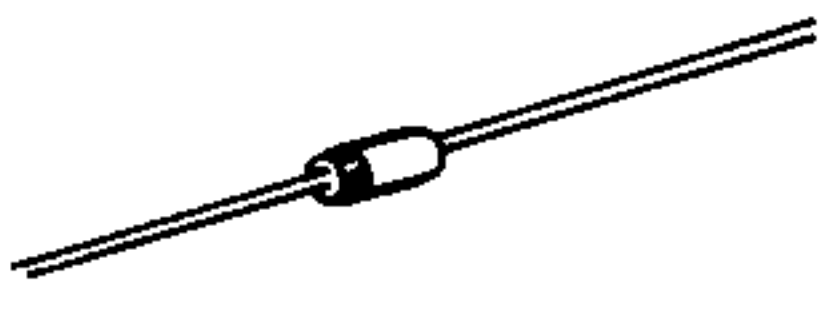
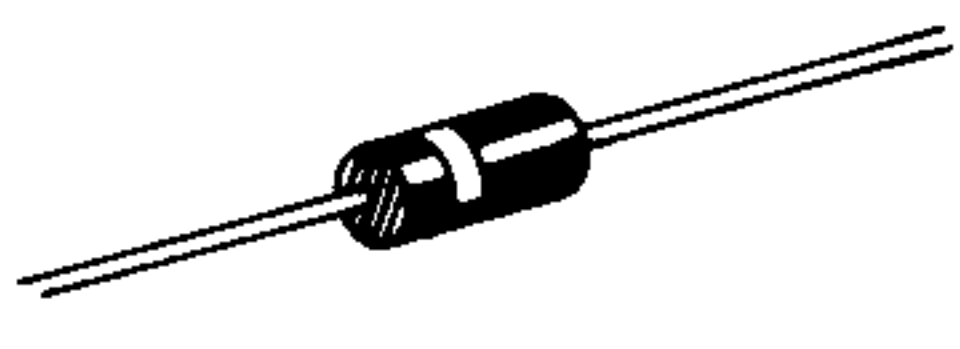
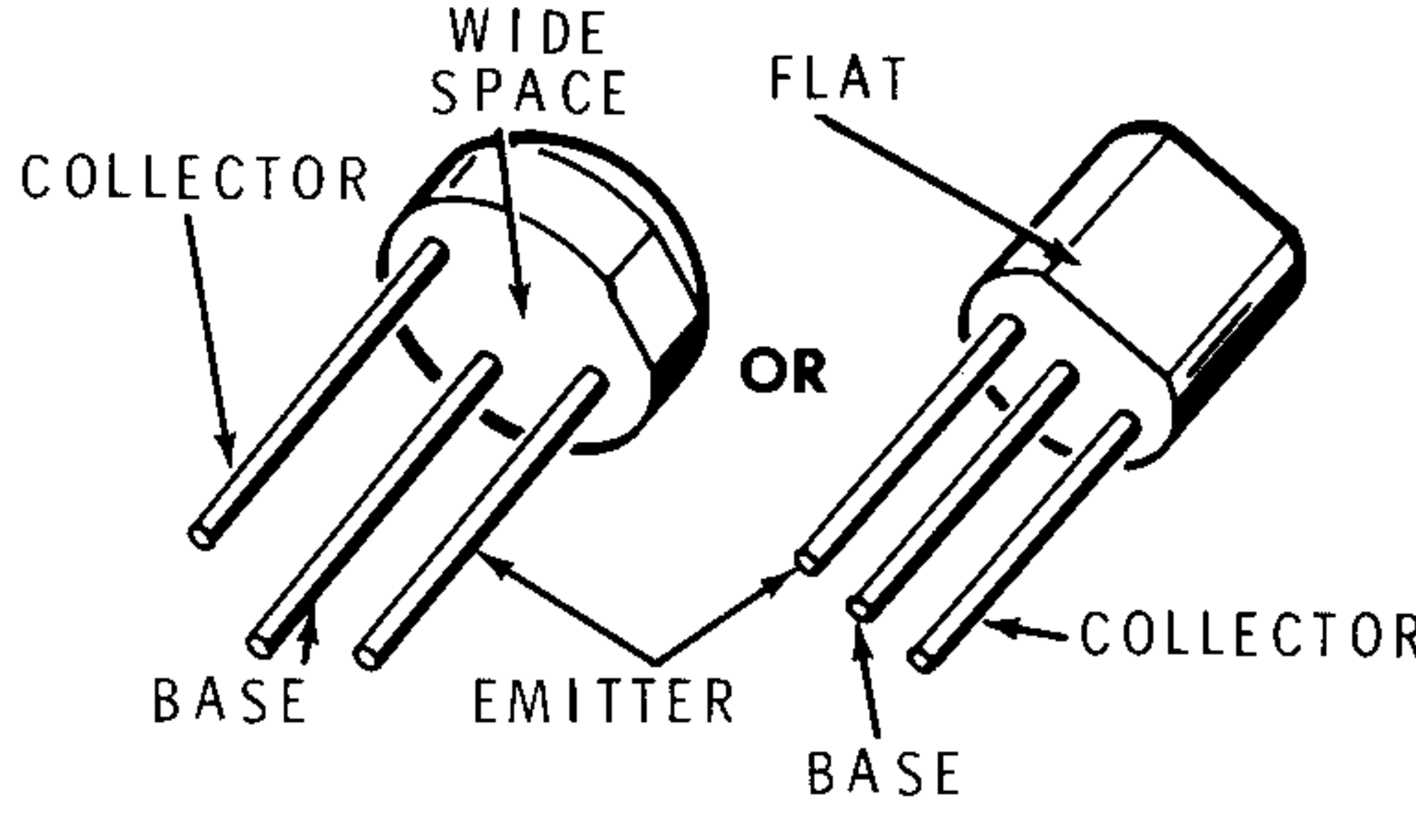
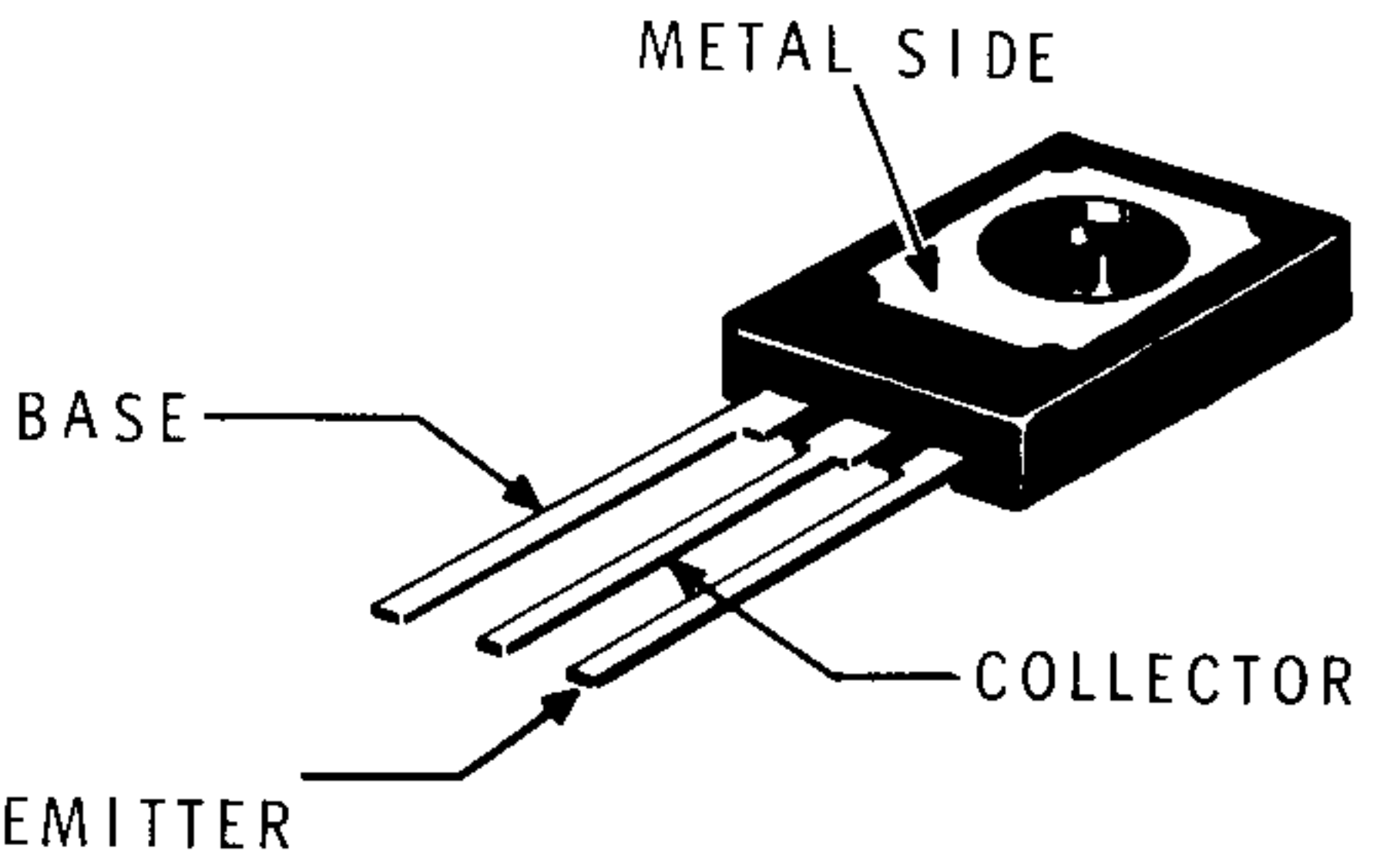
1. COMPONENT NUMBERS ARE IN THE FOLLOWING GROUPS:
 1 - 99 PARTS IN THE SIGNAL GENERATOR.
 100 - 199 PARTS IN THE POWER SUPPLIES AND TWO EXPERIMENTAL CONTROLS.
2. ALL RESISTORS ARE 1/2 WATT. RESISTOR VALUES ARE IN OHMS (K = 1000; M = 1,000,000).
3. ALL CAPACITOR VALUES ARE IN μ F.
4. THIS SYMBOL INDICATES A DC VOLTAGE TAKEN WITH A HIGH IMPEDANCE VOLTMETER FROM THE POINT INDICATED TO CHASSIS GROUND.
5. THIS SYMBOL INDICATES A CONNECTION TO THE +15 V SOURCE - NOT THE VARIABLE DC OUTPUT.
6. THIS SYMBOL INDICATES A CONNECTION TO THE -15 V SOURCE - NOT THE VARIABLE DC OUTPUT.
7. POWER SUPPLY VOLTAGES WERE TAKEN WITH BOTH OUTPUTS ADJUSTED TO 15 VOLTS.
8. THIS SYMBOL INDICATES A VOLTAGE THAT WILL VARY AS THE LOAD AND LINE VOLTAGE VARY.
9. THIS SYMBOL INDICATES THE CLOCKWISE ROTATION OF A CONTROL.



Copyright © 1976
Heath Company
All Rights Reserved
Printed in the United States of America

Part of 595-1734-02

IDENTIFICATION CHART

CIRCUIT COMPONENT NO.	HEATH PART NUMBER	MANUFACTURER'S NUMBER	BASE DIAGRAM
D1, D2, D3, D106, D107	56-56	1N4149	
ZD101, ZD102	56-620	15-VOLT ZENER	
D101, D102, D104, D105	57-65	1N4002	
Q2, Q105, Q107, Q108	417-235	2N4121	
Q1, Q3, Q4, Q101, Q103, Q104	417-801	MPSA20	
Q102	417-818	MJE181	
Q106	417-819	MJE171	
IC1	442-22	N5741V	