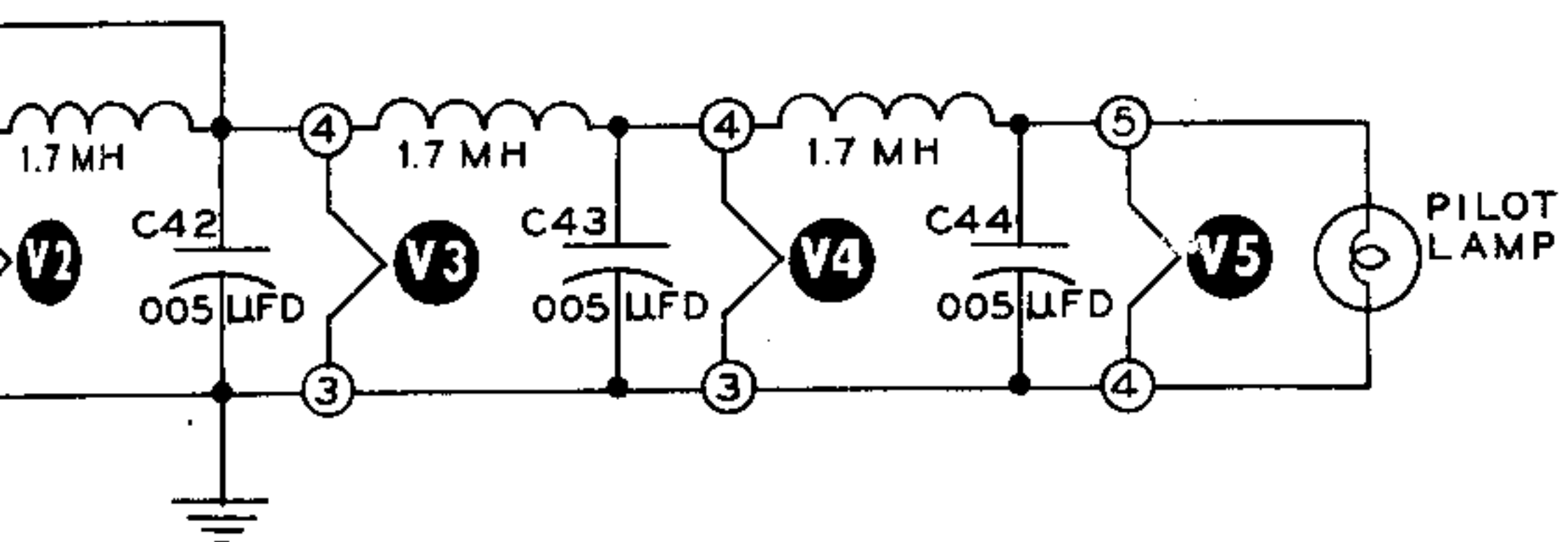
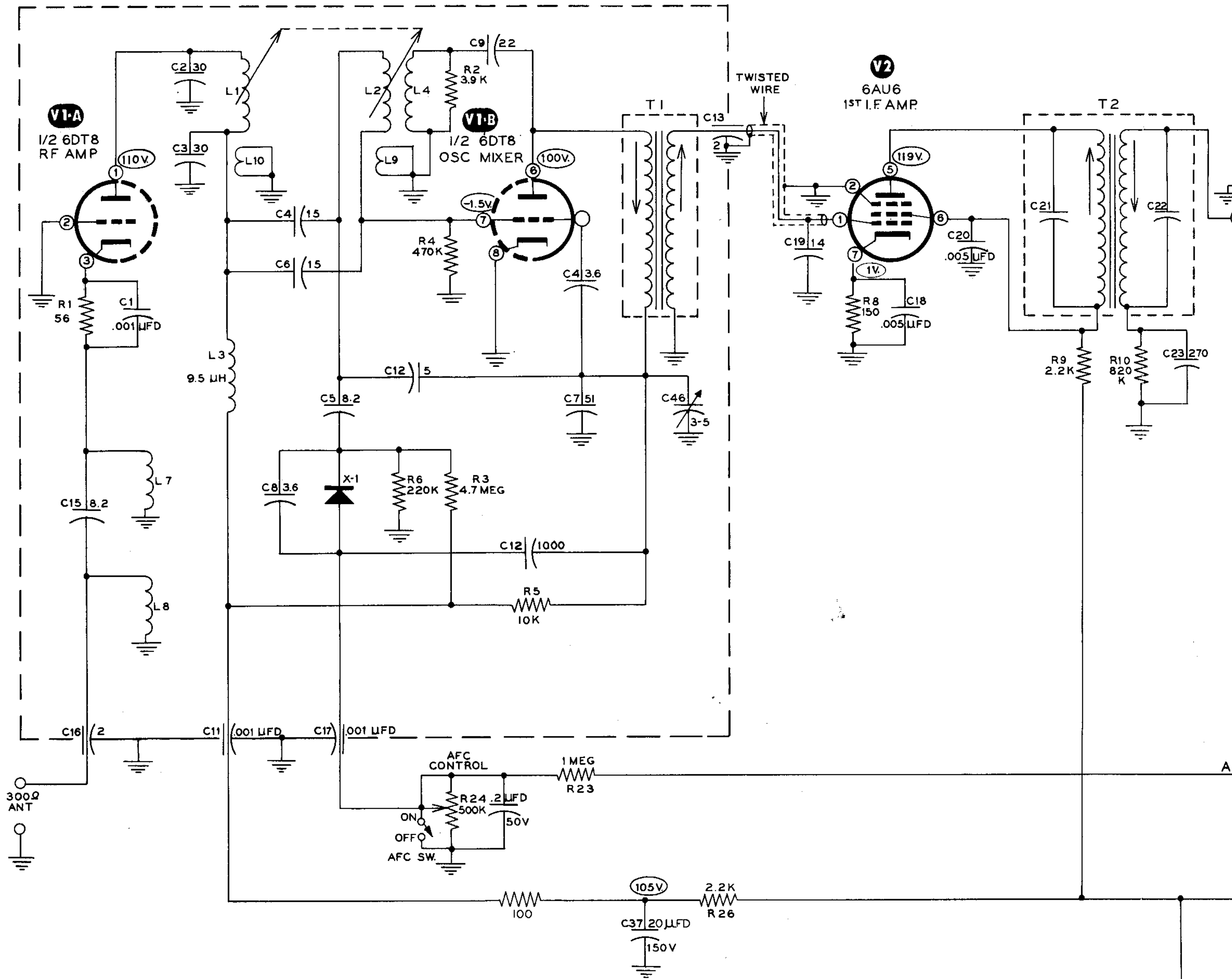


HEATHKIT F M TUNER  
MODEL FM-4





NOTE: ALL DC VOLTAGES TAKEN TO CHASSIS WITH A HEATHKIT VACUUM TUBE VOLTMETER.

ALL VOLTAGES MAY VARY  $\pm 10\%$  FROM INDICATED VOLTAGES.

VOLUME AND TUNING CONTROLS FULL CLOCKWISE.

ANTENNA TERMINALS SHORTED.

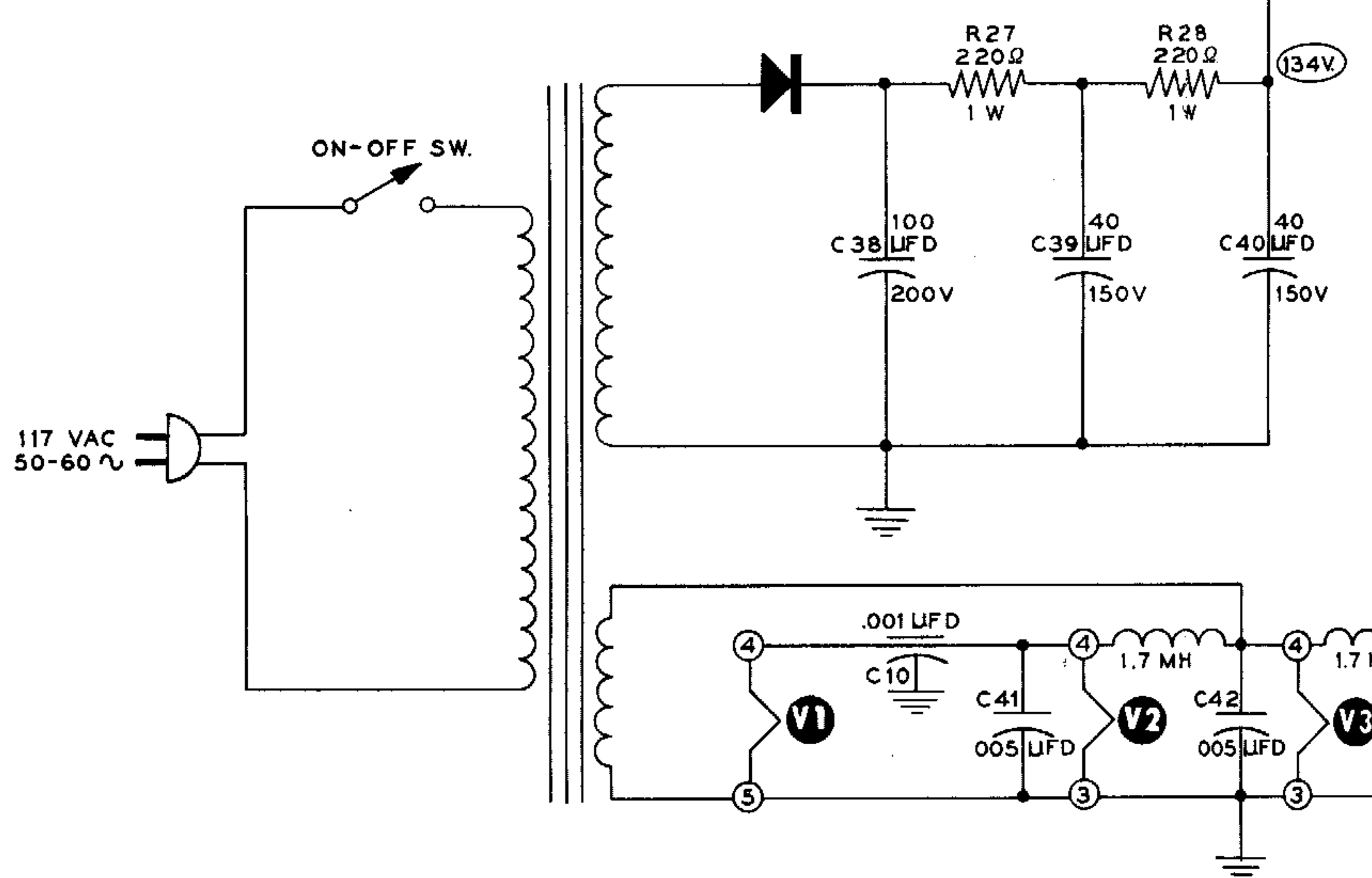
AFC SWITCH IN OFF POSITION.

ALL CAPACITORS MARKED IN  $\mu\text{mf}$  UNLESS OTHERWISE INDICATED.

ALL RESISTORS ARE 1/2 WATT UNLESS SPECIFIED OTHERWISE.

C10, C11, C13, C16 AND C17 ARE FEED THROUGH CAPACITORS.

ARROWS  $\uparrow$  AT TRANSFORMERS T1, T2, T3, AND T4 INDICATE TOP SLUGS.



NOTE: ALL DC VOLTAGES TAKEN TO CHASSIS WITH A HEATHKIT VACUUM TUBE VOLTMETER.

ALL VOLTAGES MAY VARY  $\pm 10\%$  FROM INDICATED VOLTAGES.

VOLUME AND TUNING CONTROLS FULL CLOCKWISE.

ANTENNA TERMINALS SHORTED.

AFC SWITCH IN OFF POSITION.

ALL CAPACITORS MARKED IN  $\mu\text{mf}$  UNLESS OTHERWISE INDICATED.

ALL RESISTORS ARE 1/2 WATT UNLESS SPECIFIED OTHERWISE.

C10, C11, C13, C16 AND C17 ARE FEED THROUGH CAPACITORS.

ARROWS  $\uparrow$  AT TRANSFORMERS T1, T2, T3, AND T4 INDICATE TOP SLUGS.