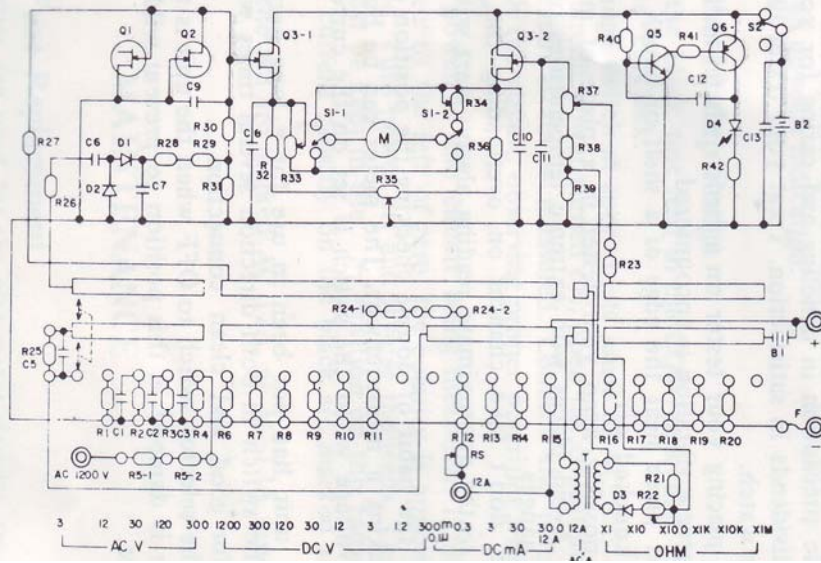


# SCHEMATIC DIAGRAM



R1	375 K	R37	1 M VR
R2	110 K	R38	800 K
R3	25 K	R39	500 K
R4	93 K	R40	470 K
R5-1	2 M	R41	56
R5-2	1.7 M	R42	33
R6	2.25 K	C1	15P
R7	9.05 K	C3	200P
R8	22.7 K	C5	4P
R9	93.8 K	C8, C9, C10, C11	0.01 μ
R10	250 K	C12	4.7 μ
R11	1.5 M	C13	68 μ
R12	1 K	Q1, Q2	25K30A-Y
R13	100	Q3	2N3958
R14	10		(DUAL)
R15	0.975	R17	100
R16	9	R18	1K
R17	100	R19	10K
R18	1K	R20	101K
R19	10K	R21	4K
R20	101K	R22	30K SEMI
R21	4K	R23	8 M
R22	30K SEMI	R24-1	5M
R23	8 M	R24-2	4M
R24-1	5M	R25	900K
R24-2	4M	R26	1K
R25	900K	R27	500K
R26	1K	R28	15 M
R27	500K	R29	7.7M
R28	15 M	R30	175 M
R29	7.7M	R31	790 K
R30	175 M	R32	1 K
R31	790 K	R33	1 K SEMI
R32	1 K	R34	1 K SEMI
R33	1 K SEMI	R35	1 K VR
R34	1 K SEMI	R36	1 K
R35	1 K VR		
R36	1 K		

3 12 30 120 300 1200 300 120 30 12 3 12 300m 0.3 3 30 30 0 12A 12A 1  
 AC V DC V DC mA OHM