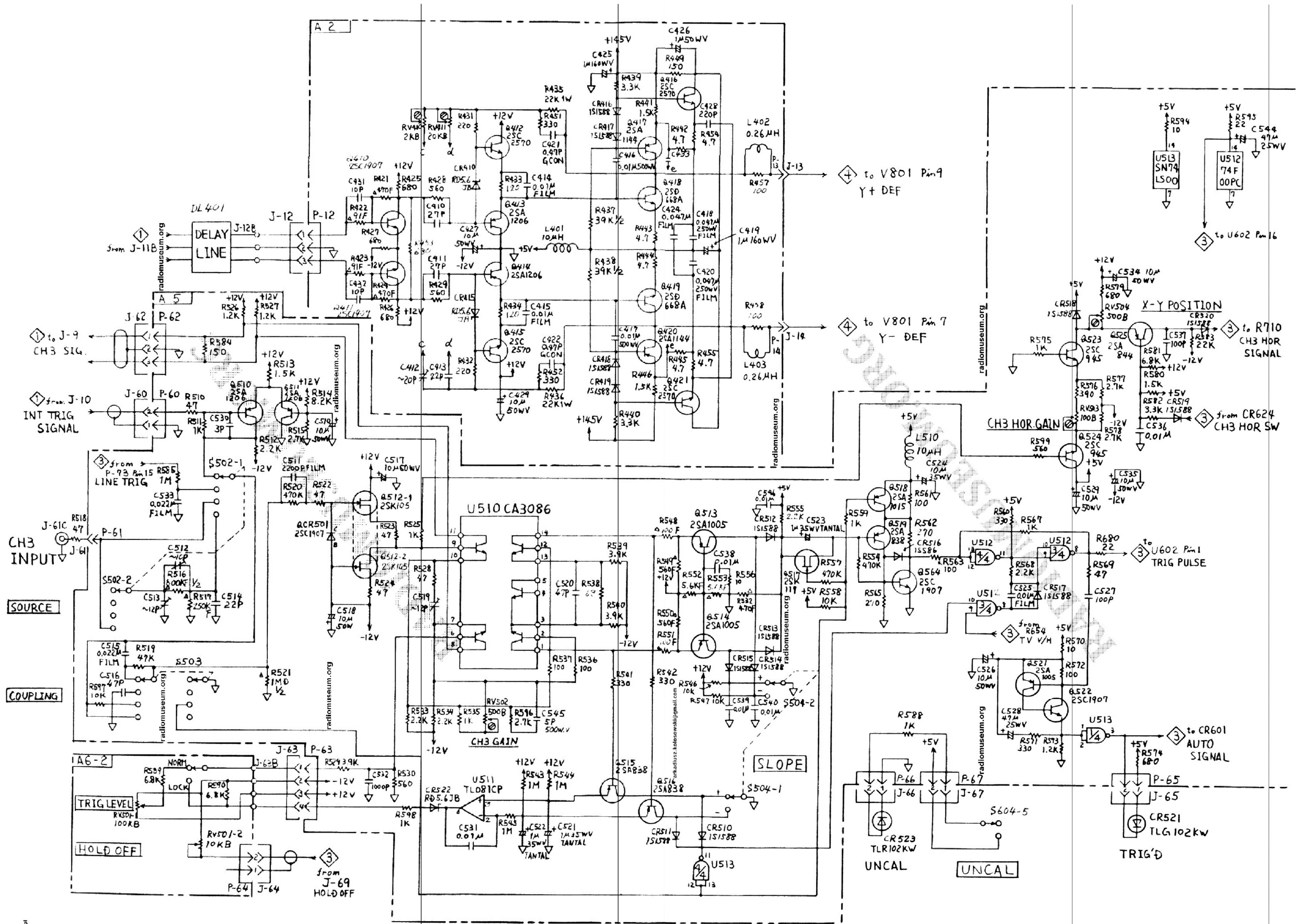


MODEL COS 5060A

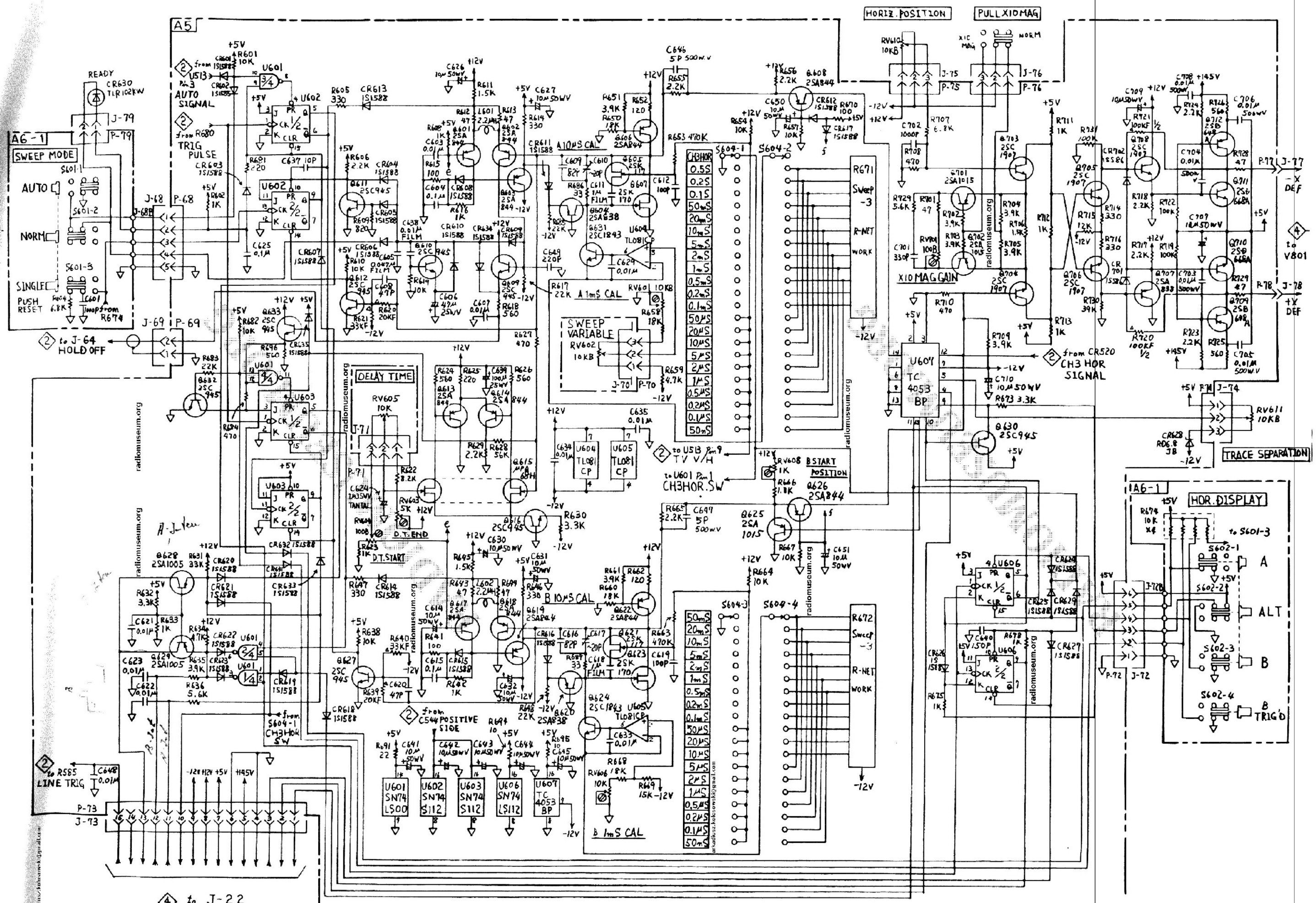
VERTICAL AMP & SWITCHING CIRCUIT



MODEL COS5060A

VERTICAL FINAL AMP & TRIGGER CIRCUIT





MODEL COS 5060A

A, B SWEEP GENERATOR

