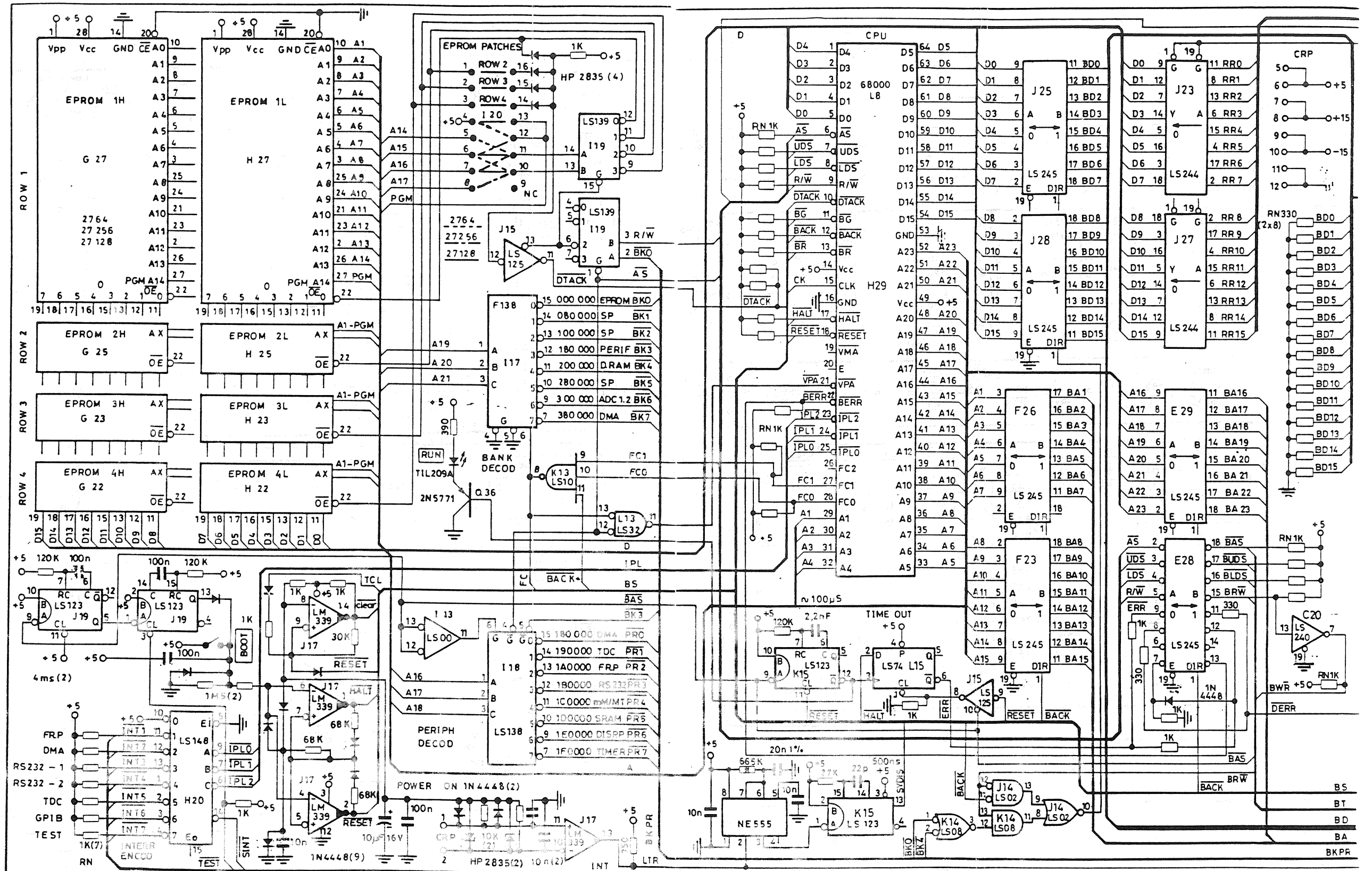


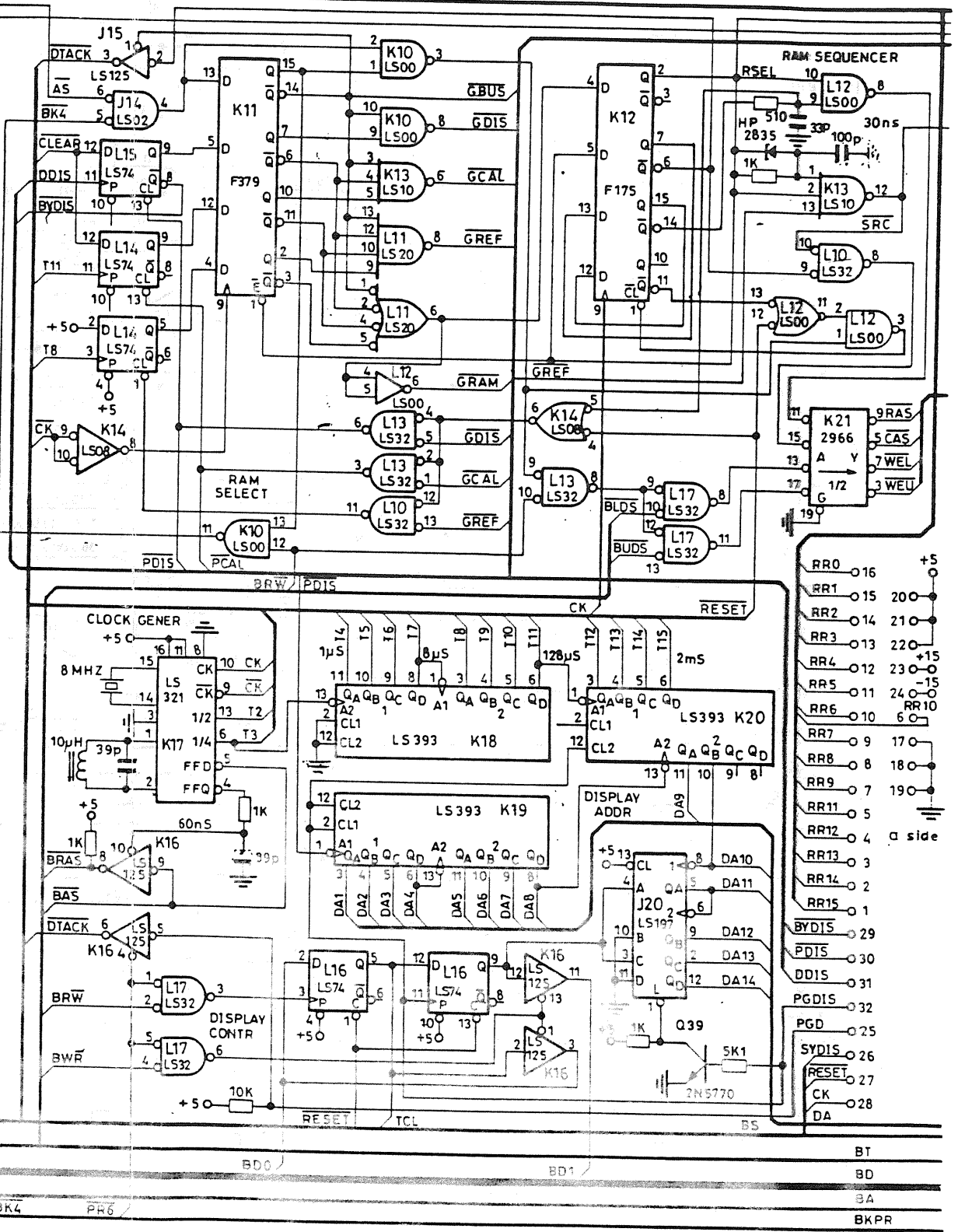
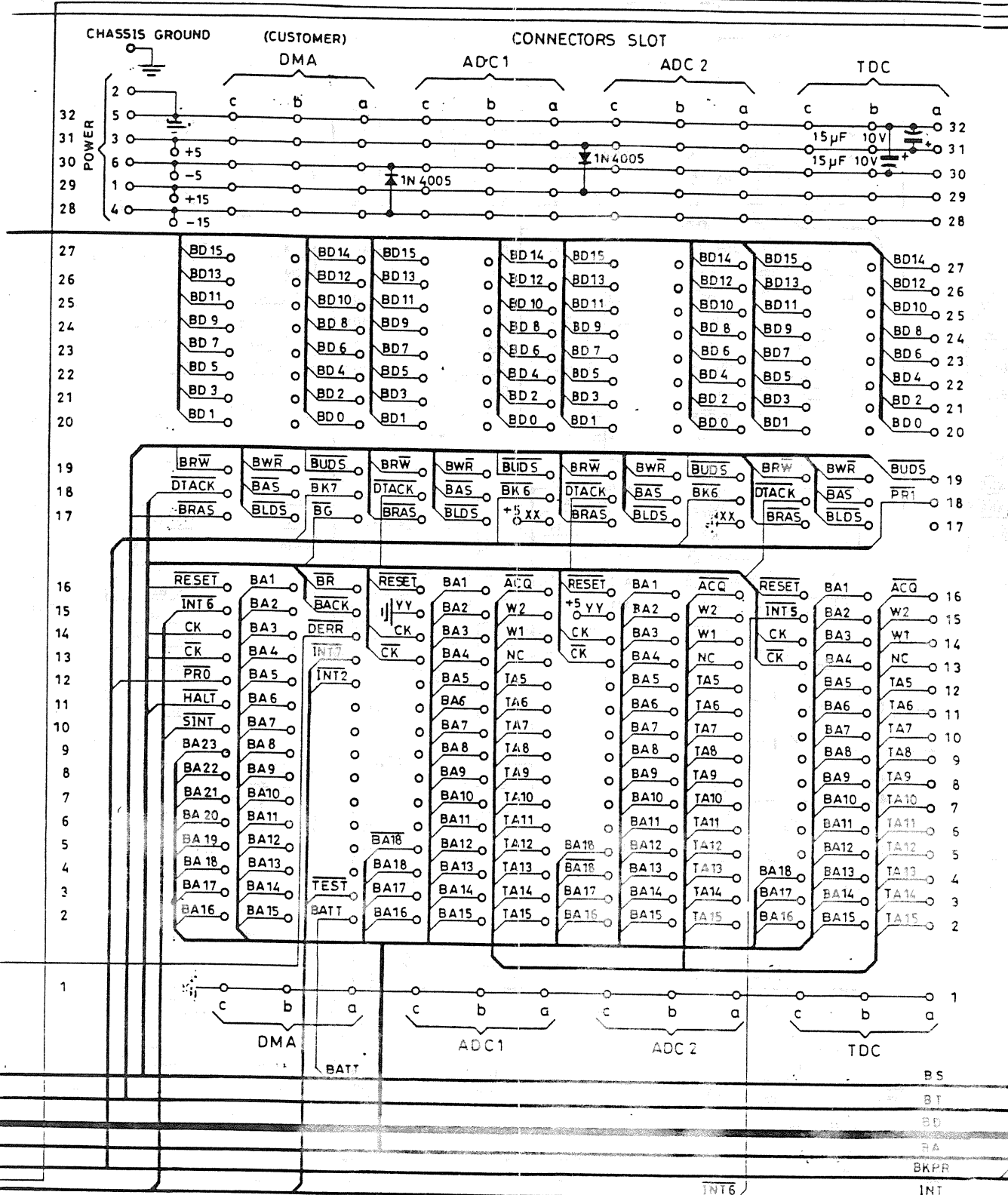
LeCroy parts	IC	Designation	-5	+5	+12	GND	-12
250 012 001	MC 14 89 L	K7,K8		14		7	
250 012 002	MC 14 88 L	L7,L8					
		E3,E4,E5,E13,E14			14	7	1
200 031 028	74 LS 00 N	I13,K10,L12		14		7	
200 031 046	74 LS 04 N	F5,F13		14		7	
200 031 047	74 LS 10 N	K13		14		7	
200 031 048	74 LS 20 N	L11		14		7	
200 031 049	74 LS 74 N	H10,H16,L14,L15,L16		14		7	
200 031 051	74 LS 02 N	J13,J14		14		7	
200 031 055	74 LS 164 N	E6,E12,F4,F12		14		7	
200 031 066	74 LS 132 N	I15		14		7	
200 031 073	74 LS 32 N	F3,F14,G19,H11,L10,L13,L17		14		7	
200 031 074	74 LS 37 N	F17		14		7	
200 031 086	74 LS 08 N	F19,H13,I12,K14		14		7	
200 031 089	74 LS 125 N	G17,G20,H15,J15,K16		14		7	
200 031 097	74 LS 197 N	J20		14		7	
200 031 101	74 LS 393 N	H6,H7,K18,K19,K20		14		7	
200 031 106	74 LS 86 N	J12		14		7	
200 031 320	74 LS 320	K9		16		8	
200 041 017	74 LS 112 N	F20		16		8	
200 041 033	74 LS 174 N	C18		16		8	
200 041 039	74 LS 221 N	H18		16		8	
200 041 042	74 LS 191 N	G18,I14		16		8	
200 041 044	74 LS 123 N	F18,J19,K15		16		8	
200 041 056	74 LS 165 N	H9		16		8	
200 041 062	74 LS 138 N	I18		16		8	
200 041 067	74 LS 148 N	H20		16		8	
200 041 068	74 LS 158 N	I10,J10		16		8	
200 041 070	74 LS 257 AN	C21,F21,L18,L19,L20		16		8	
200 041 139	74 LS 139 N	H12,I19		16		8	
200 071 001	74 LS 240	B20,C20		20		10	
200 071 003	74 LS 374	H5,H8		20		10	
200 071 007	74 LS 244 N	I6,I7,J6,J7,J23,J27,L22		20		10	
200 071 245	74 LS 245 N	B21,E28,E29,F23,F26,J25,J28,L3		20		10	
200 071 299	74 LS 299 N	I8,I9,J9		20		10	
200 071 373	74 LS 373 N	I4,J4		20		10	
200 071 534	74 LS 534	J22,J26		20		10	
200 072 956	AM 29 66	K21,K22		20		10	
200 330 000	74 F 00	I11		14		7	
200 340 074	74 F 74	H14		14		7	
200 340 117	MC 10 H 117	A13	8			1,16	
200 340 138	74 F 138	I17		16		8	
200 340 379	74 F 379	K11		16		8	
200 341 175	74 F 175	K12		16		8	
200 440 191	74 F 191	B18,B19,C19		16		8	
200 540 384	74 LS 384	I3,J3		16		8	
200 570 684	74 LS 684	I5,J5		20		10	
205 240 264	RAM 41 64-15	K23,K24,K25,K26,K27,K28,K29,K30 L23,L24,L25,L26,L27,L28,L29,L30		8		16	
205 280 116	HM 611 GLP-2	B24				12	

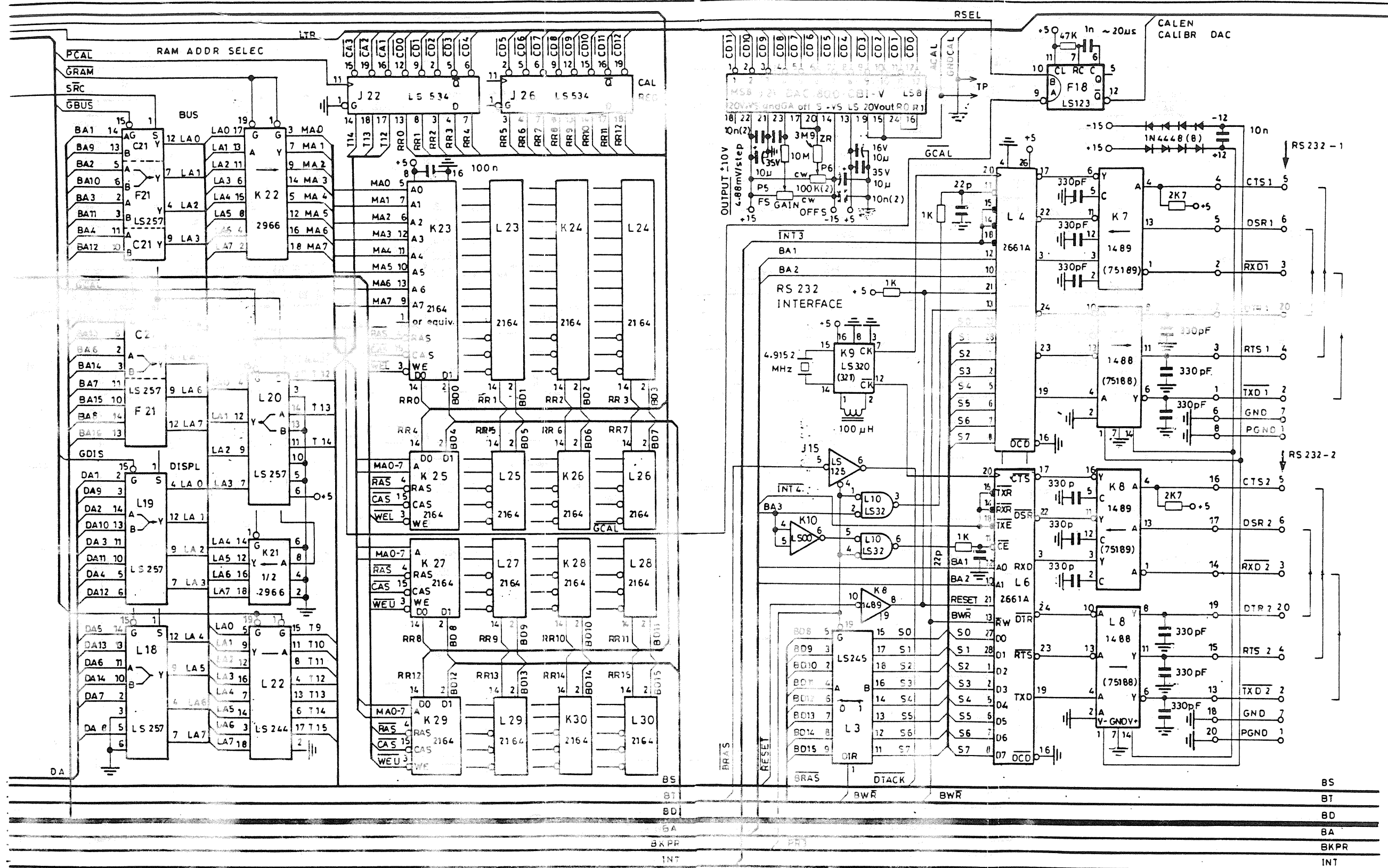
LeCroy parts	IC	Designation	+3	-3	-5	+5	+12	GND	+15	-15	-12
206 042 508	06 508 C J	H 3						14	13	3	
207 280 800	DAC 800	J 21				13		21	22	14	
207 340 399	74 LS 399 N	J 11				16		8			
208 011 008	LM 311 N	C 17						1	8	4	
208 031 010	LM 339 N	J 17 F 17				3 3	12				
208 033 001	CA 30 46	E 1				8-11		12	5		
208 041 001	DAC-08 EQ	B 17						1	13	3	
208 110 353	LF 353 N	C 13							8	4	
208 122 337	LM 337 N	E 10									
208 123 002	LM 340 T-12	F 10									
208 130 324	LM 324	G 6					4				11
208 130 347	LF 347	G 4, G 5					4				11
208 570 317	LM 317	G 10									
208 124 003	LM 320T-12	F 11									
208 740 321	74 LS 321	K 17				16		8			
225 070 407	MUL 407	B 13			11	2		1,16			
227 391 068	68 000 L 8	N 29						16,53			
227 762 661	2661	L 4, L 6				26		4,16			
210 440 200	HVV 200	A 4, C 4	27 34	11 18	10 19	28 35	29 36	5,14,21 23,30,39			9,15
220 010 101	HAB 101	A 3					4	3,8			1

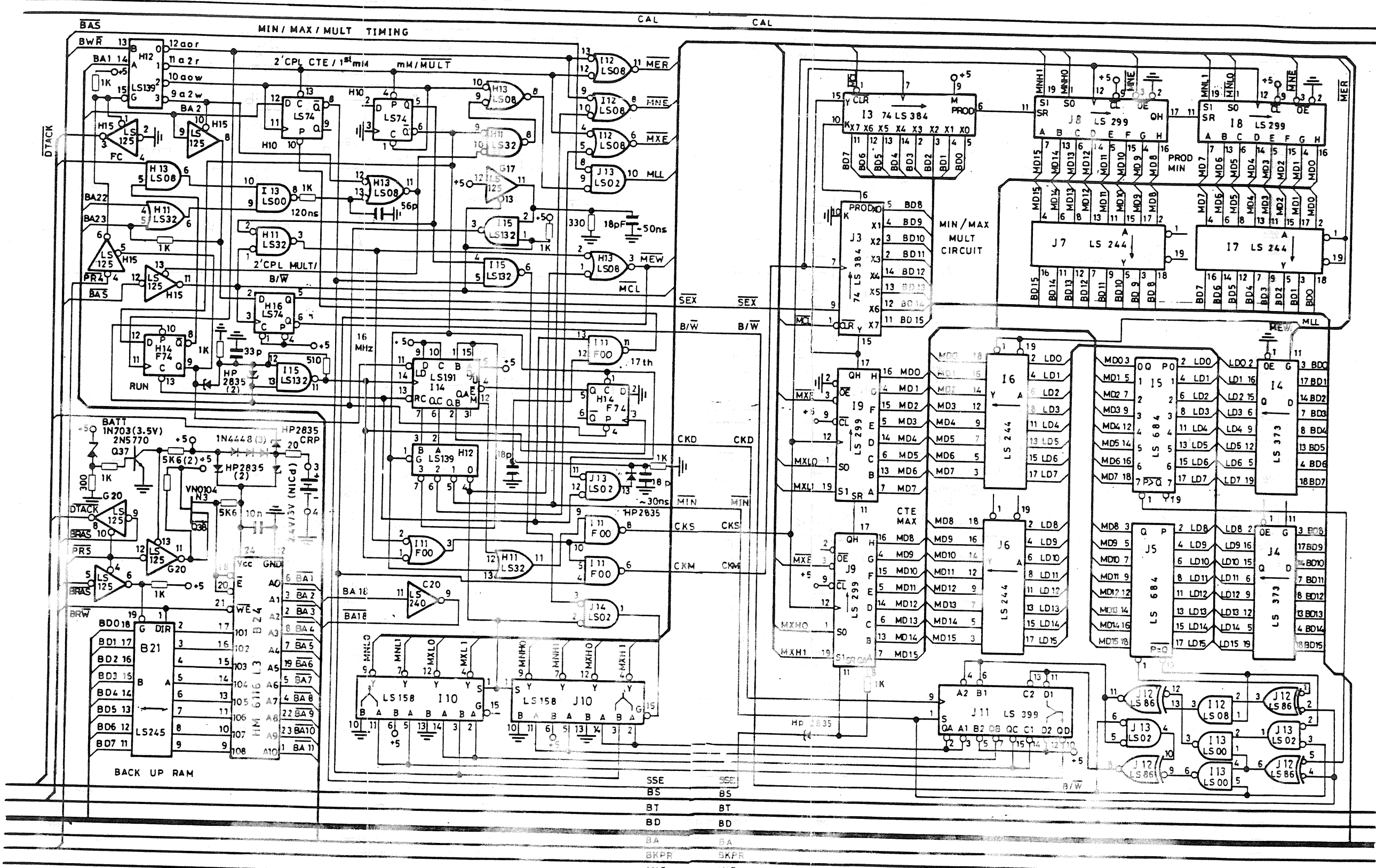
NOTICE: THIS DESIGN IS THE SOLE PROPERTY OF LeCROY RESEARCH SYSTEMS. IT CONTAINS PROPRIETARY INFORMATION AND IS FURNISHED WITH THE UNDERSTANDING THAT IT IS NOT TO BE USED, DISCLOSED OR REPRODUCED IN ANY MANNER WITHOUT THE APPROVAL OF LeCROY RESEARCH SYSTEMS.

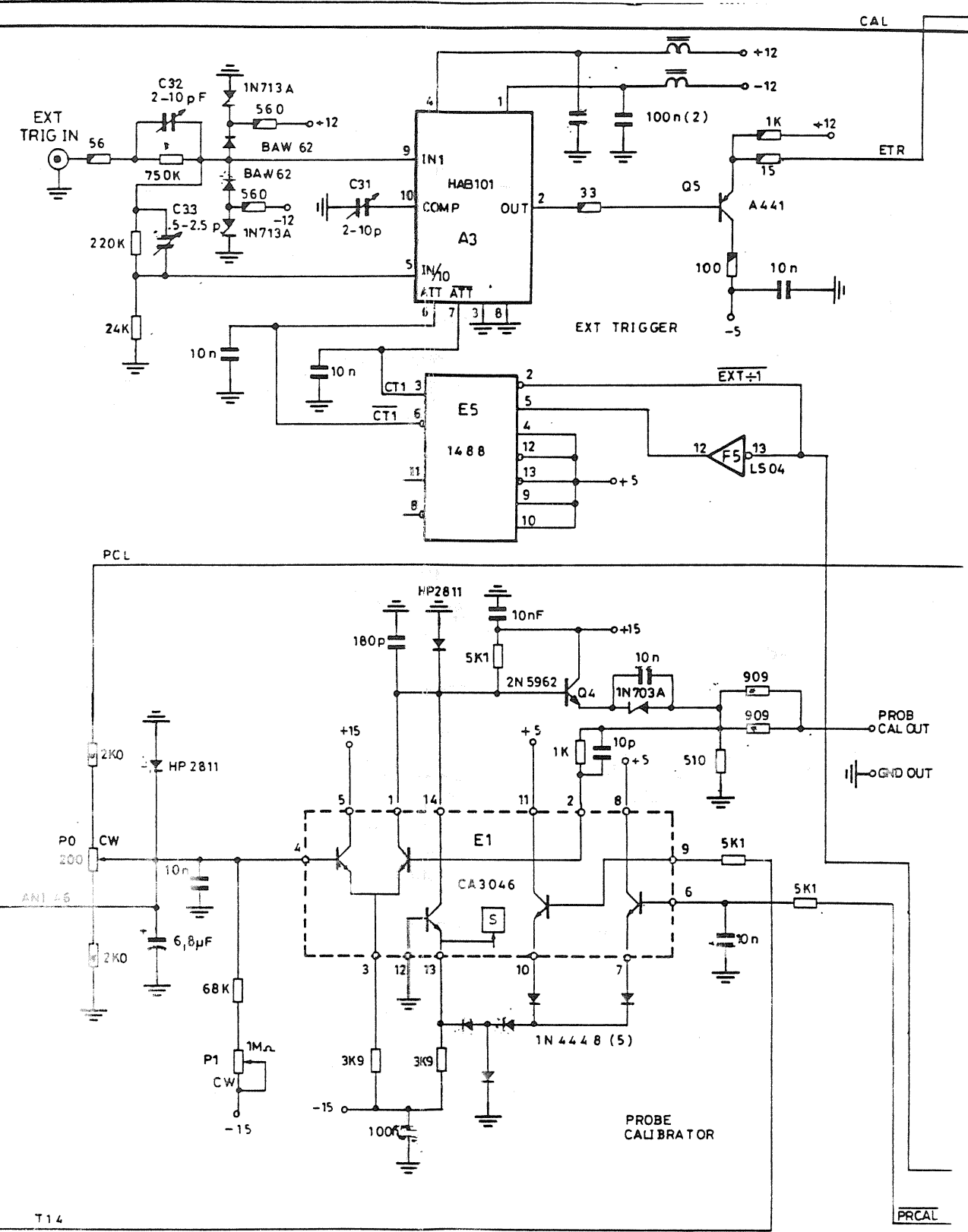
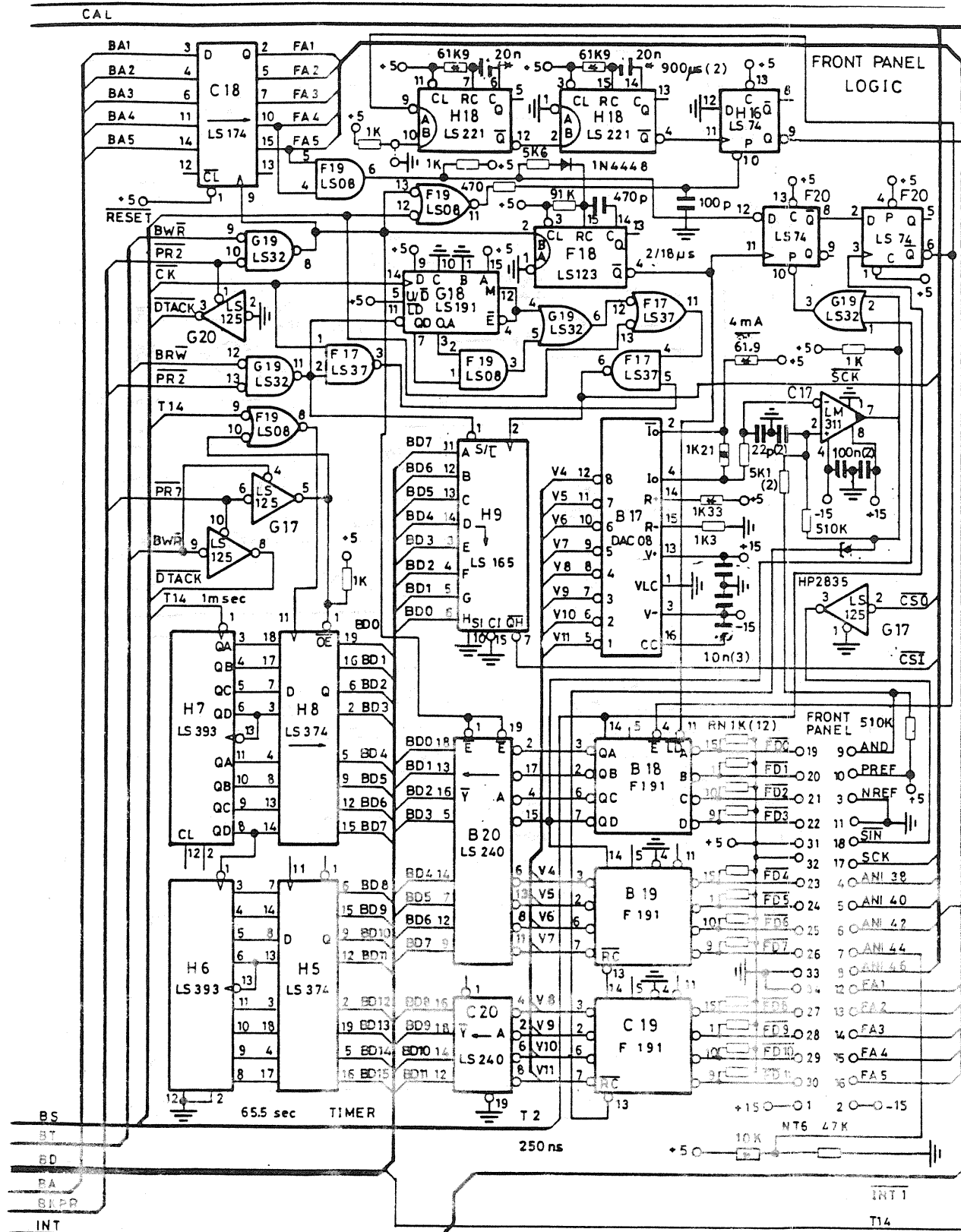
LeCroy RESEARCH SYSTEMS	
DRAWN BY/DATE P. PERRIN 19.12.85	MODEL 9400-1 MOTHER CARD SCHEMA
CHKD BY/DATE B. M. J-F-G	
APPROVED BY/DATE 05-02-87	DWG NO: 9400-1-S1
SCALE 1/1	SH. 18 of 18 ECO NO. 1015

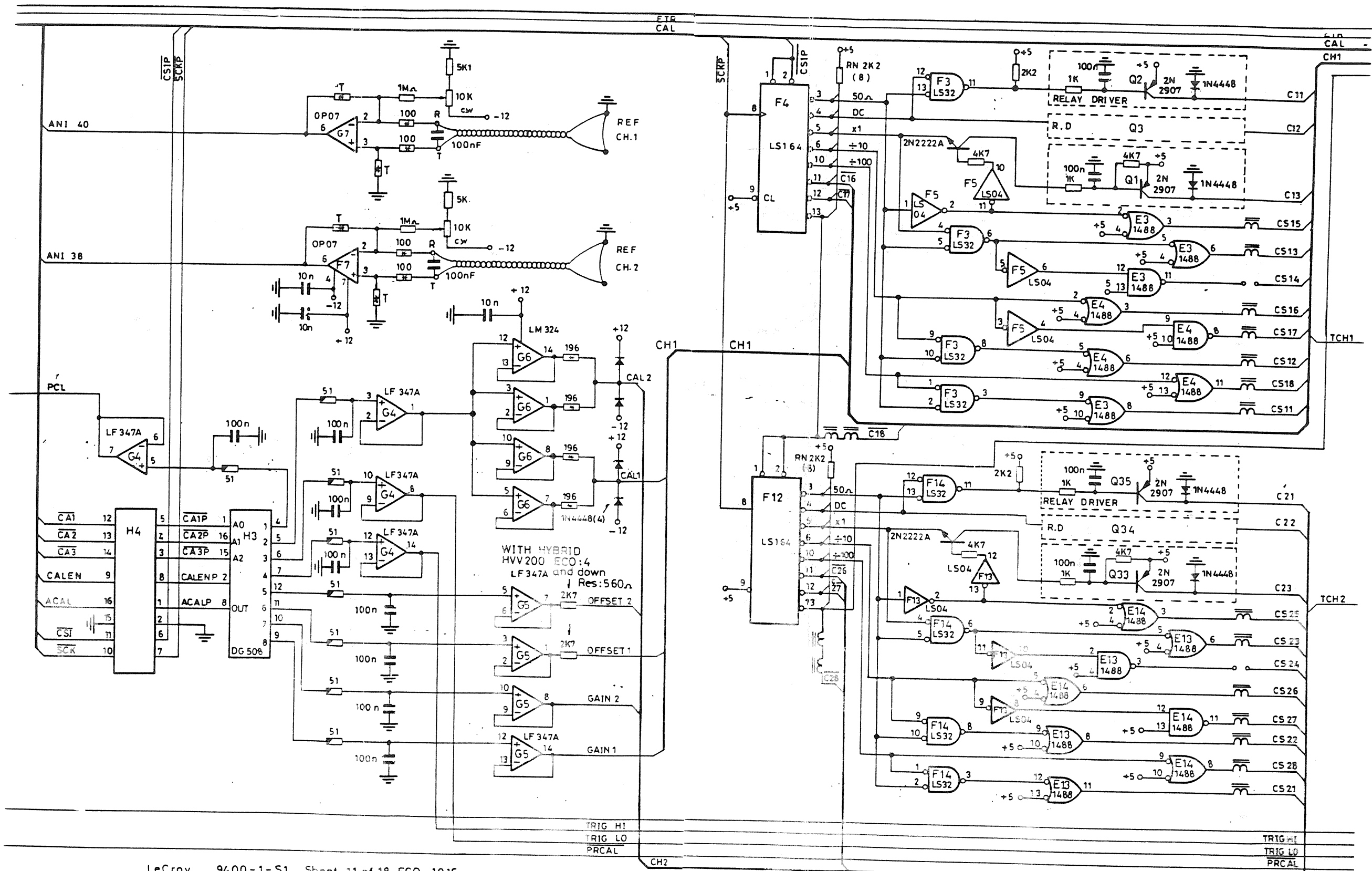


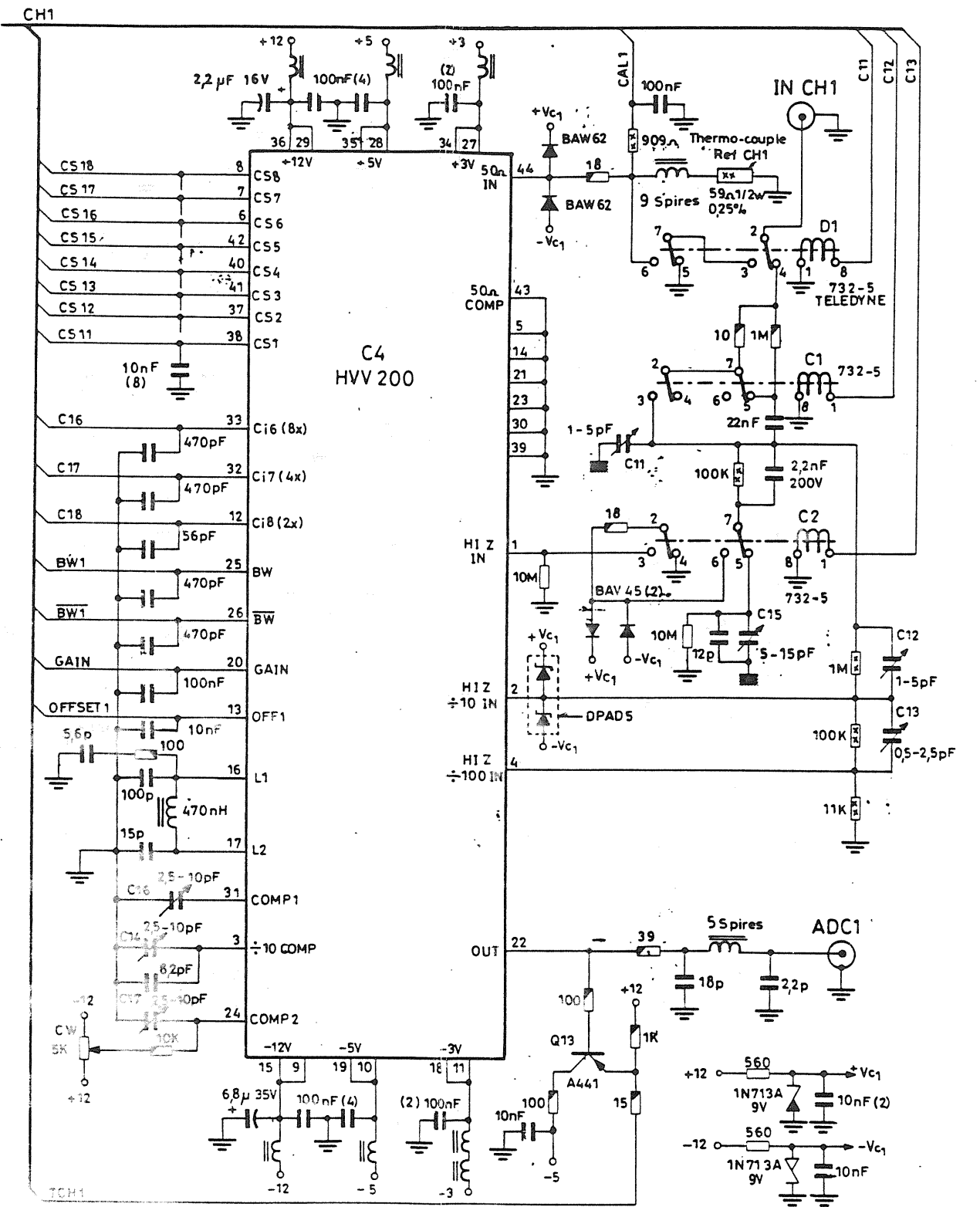
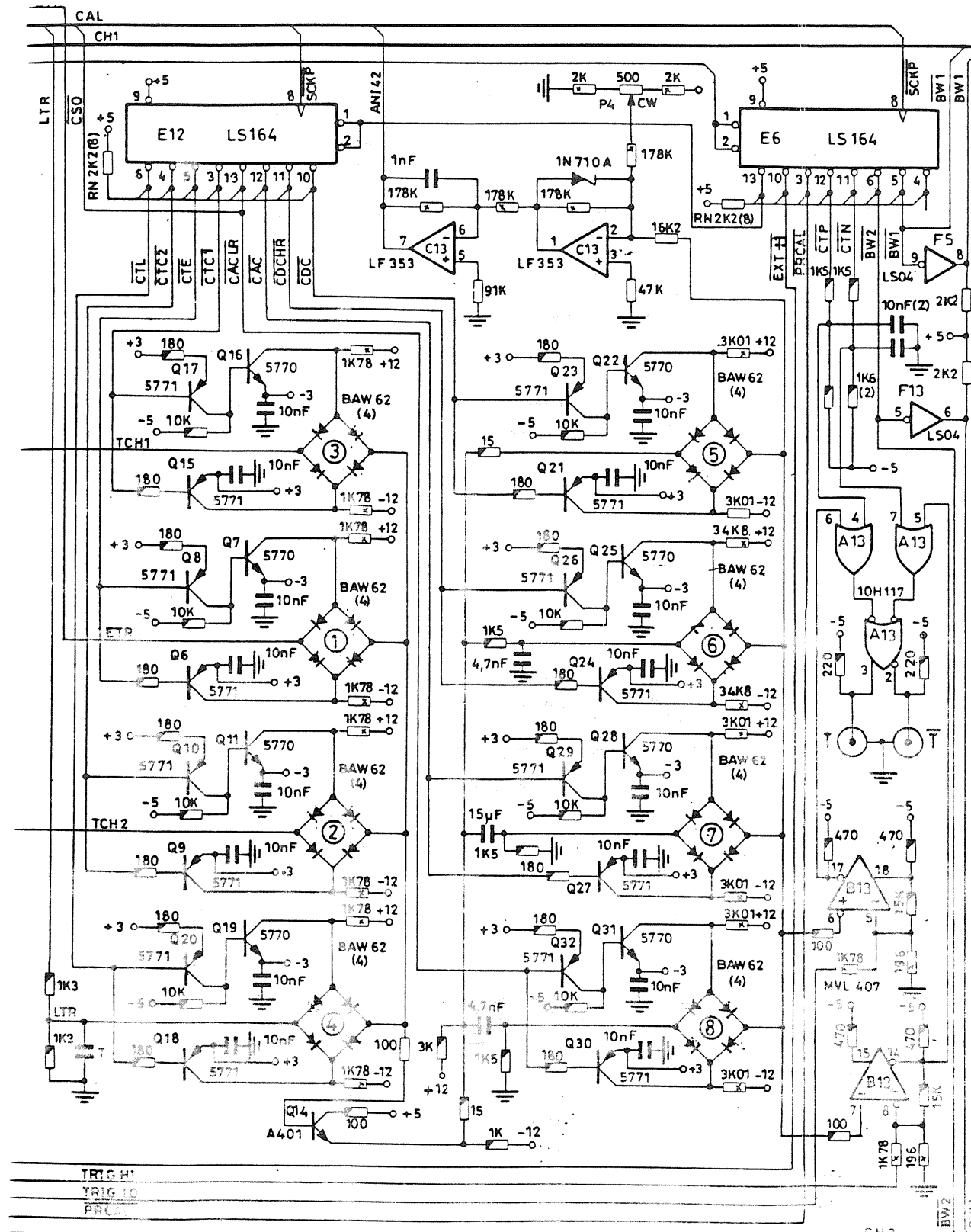


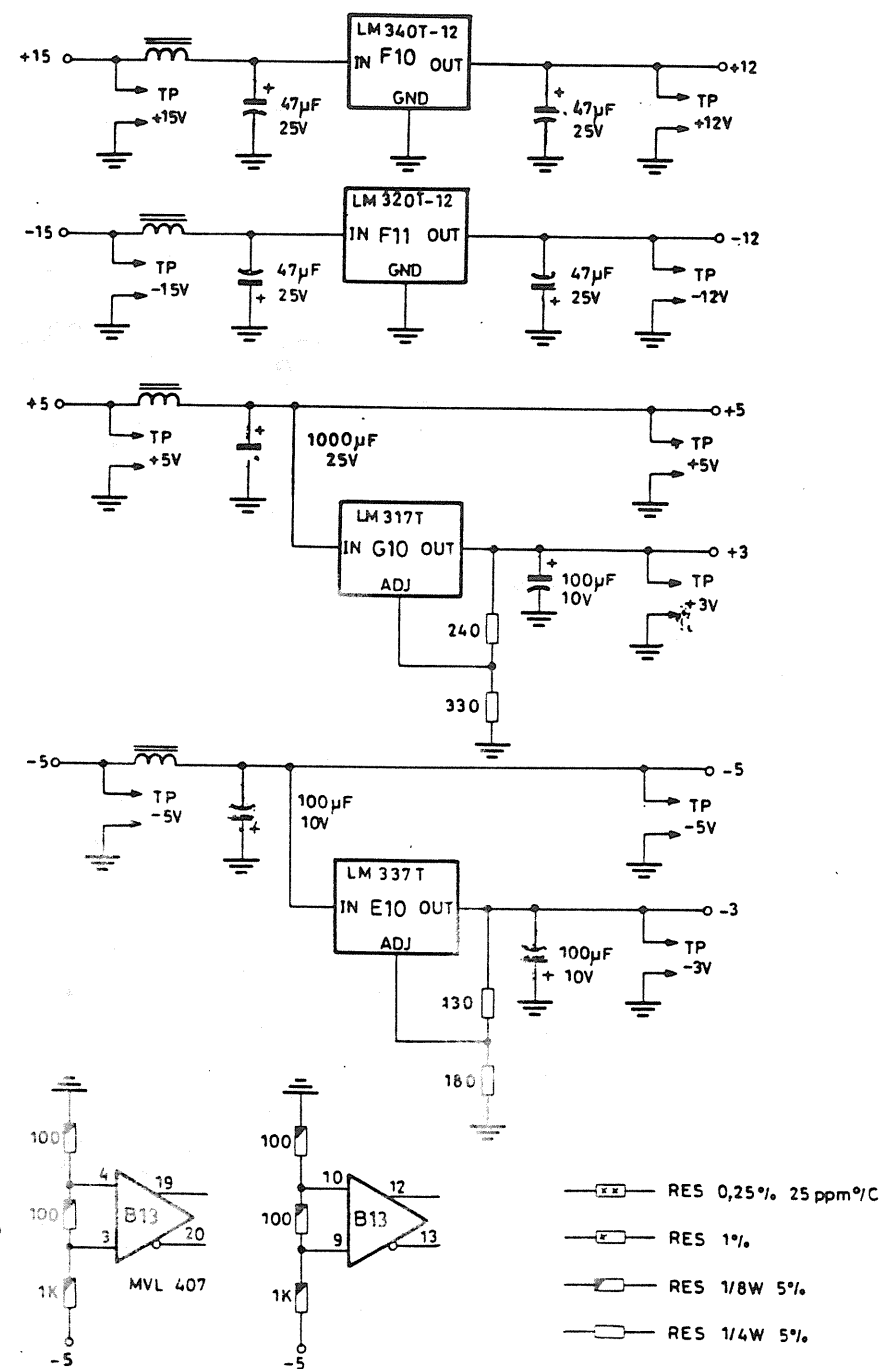
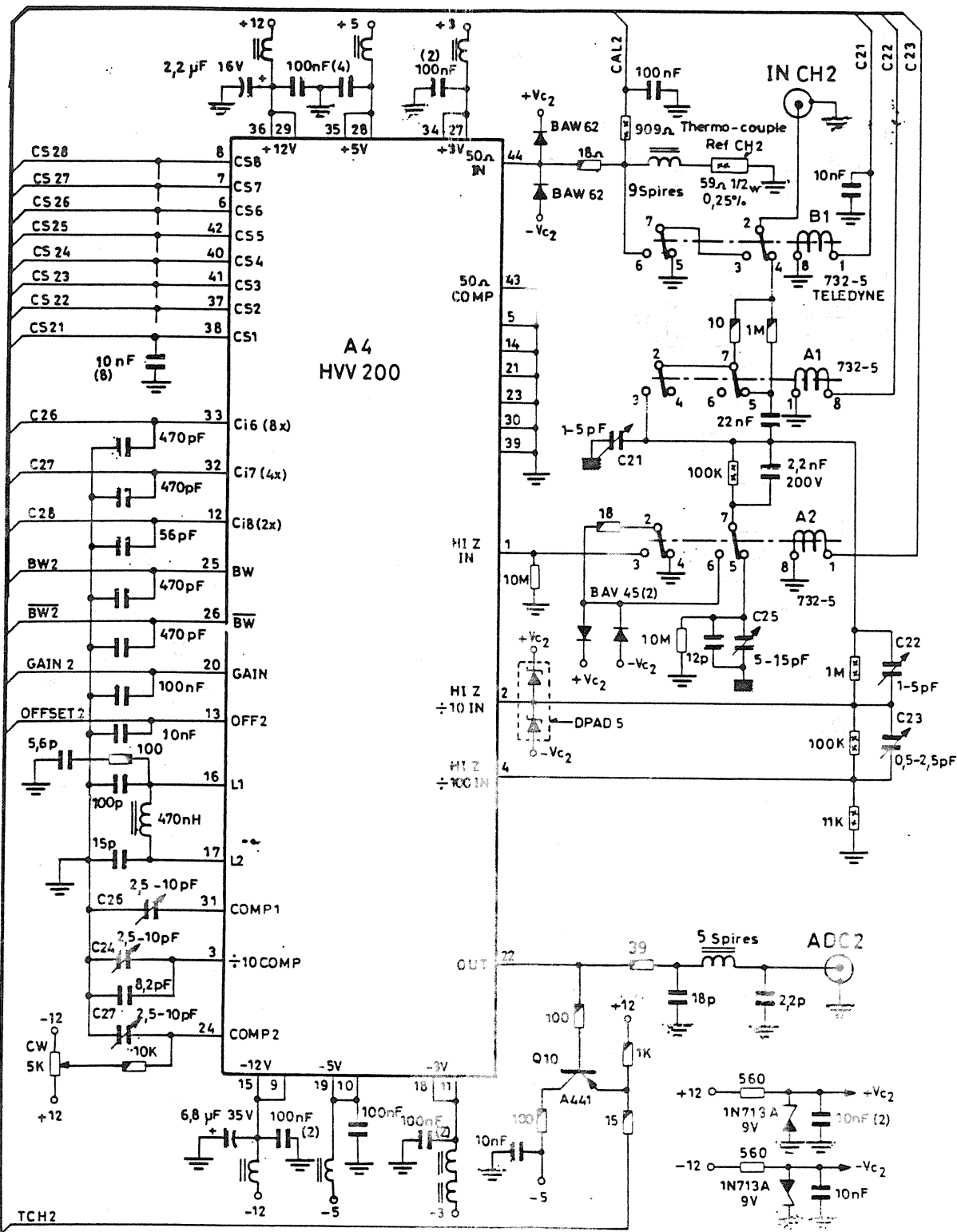












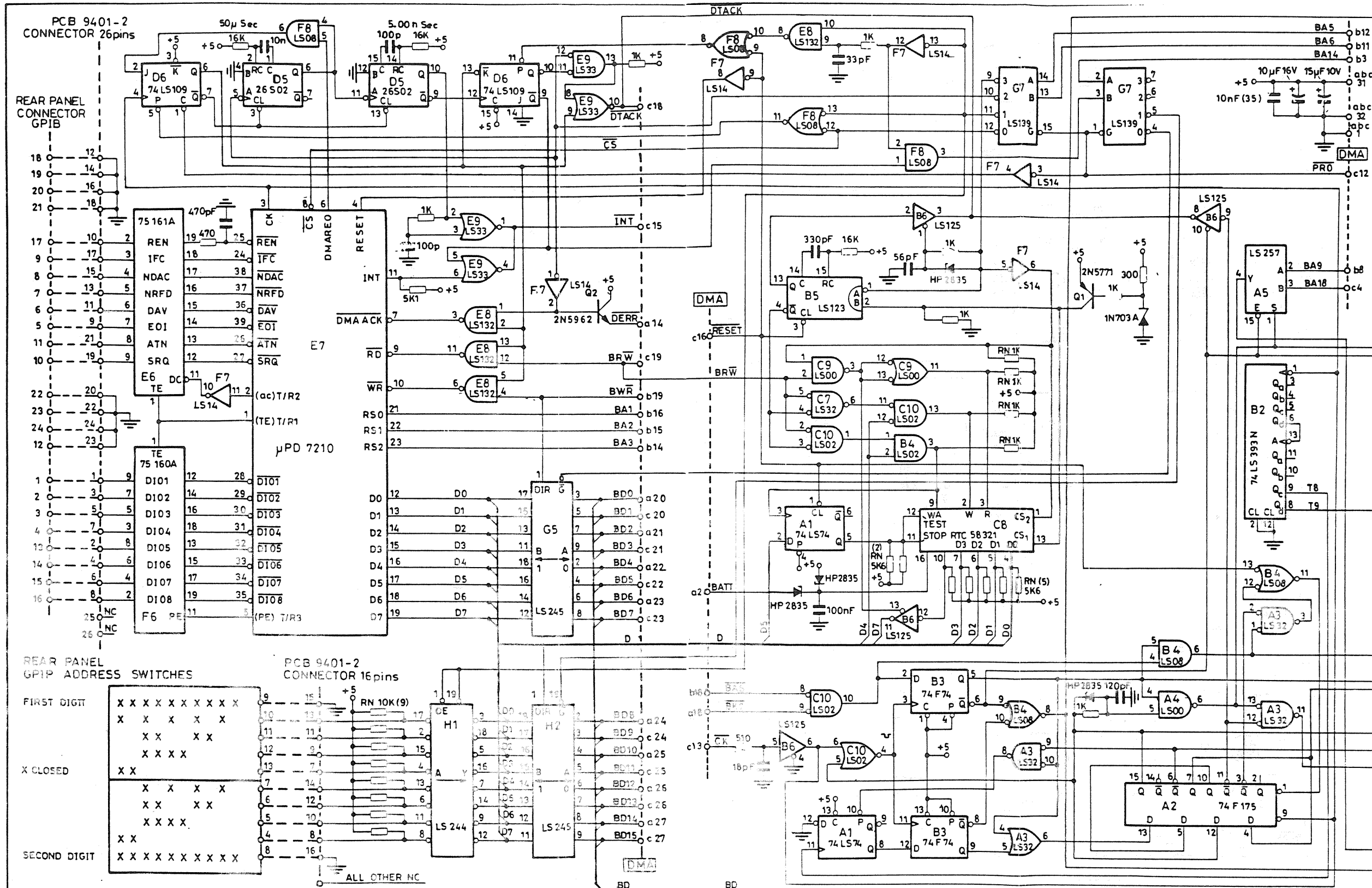
- RES 0,25% 25 ppm/C
- RES 1%
- RES 1/8W 5%
- RES 1/4W 5%

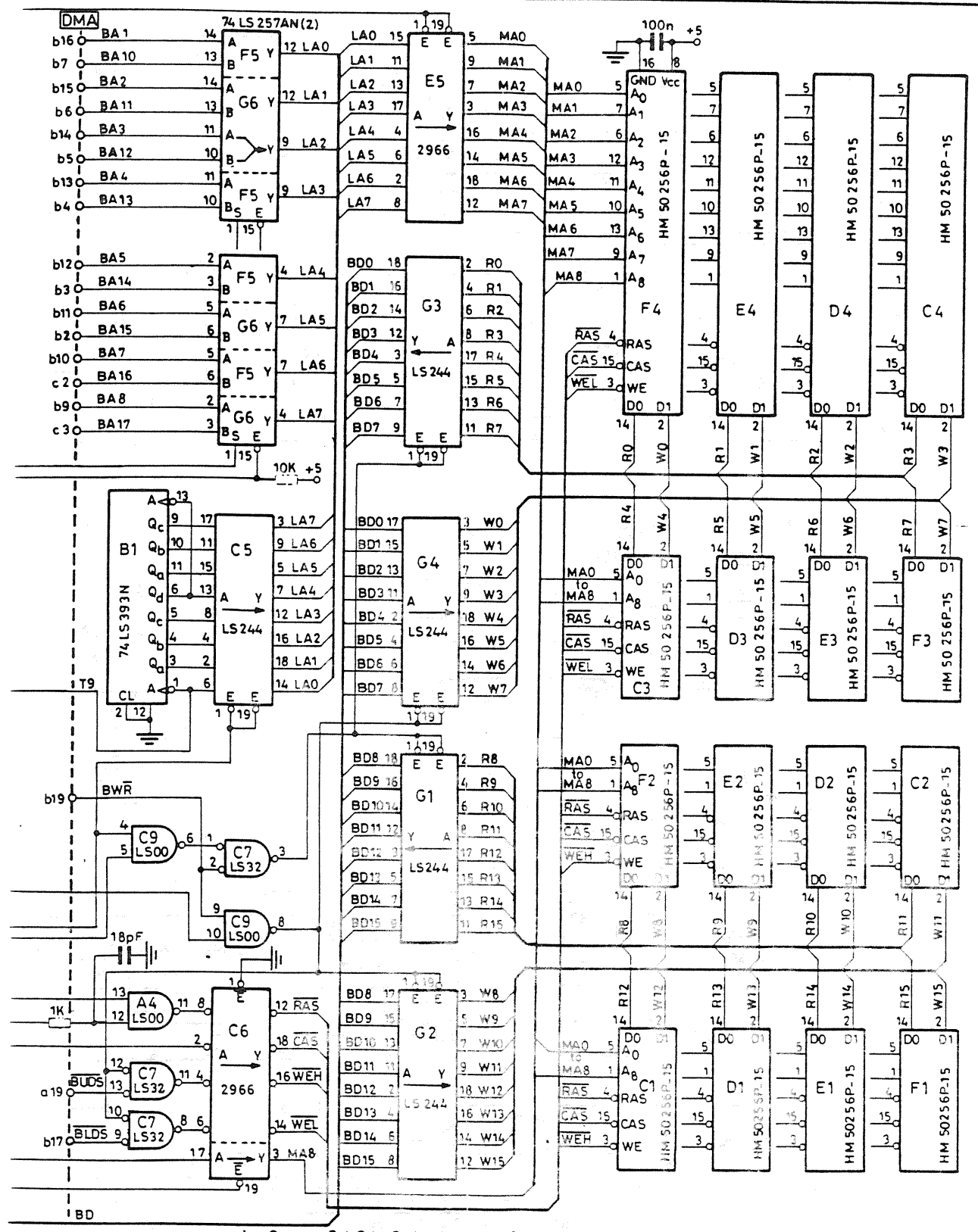
LeCroy parts	IC	Designation	-5	+5	+12	GND	-12
200 012 001	MC 14 89 L	K7,K8		14		7	
200 012 002	MC 14 88 L	L7,L8			14	7	1
		E3,E4,E5,E13,E14					
200 031 028	74 LS 00 N	I13,K10,L12		14		7	
200 031 046	74 LS 04 N	F5,F13		14		7	
200 031 047	74 LS 10 N	K13		14		7	
200 031 048	74 LS 20 N	L11		14		7	
200 031 049	74 LS 74 N	H10,H16,L14,L15,L16		14		7	
200 031 051	74 LS 02 N	J13,J14		14		7	
200 031 055	74 LS 164 N	E6,E12,F4,F12		14		7	
200 031 066	74 LS 132 N	I15		14		7	
200 031 073	74 LS 32 N	F3,F14,G19,H11,L10,L13,L17		14		7	
200 031 074	74 LS 37 N	F17		14		7	
200 031 086	74 LS 08 N	F19,H13,I12,K14		14		7	
200 031 089	74 LS 125 N	G17,G20,H15,J15,K16		14		7	
200 031 097	74 LS 197 N	J20		14		7	
200 031 101	74 LS 393 N	H6,H7,K18,K19,K20		14		7	
200 031 106	74 LS 86 N	J12		14		7	
200 031 320	74 LS 320	K9		16		8	
200 041 017	74 LS 112 N	F20		16		8	
200 041 033	74 LS 174 N	C18		16		8	
200 041 039	74 LS 221 N	H18		16		8	
200 041 042	74 LS 191 N	G18,I14		16		8	
200 041 044	74 LS 123 N	F18,J19,K15		16		8	
200 041 056	74 LS 165 N	H9		16		8	
200 041 062	74 LS 138 N	I18		16		8	
200 041 067	74 LS 148 N	H20		16		8	
200 041 068	74 LS 158 N	I10,J10		16		8	
200 041 070	74 LS 257 AN	C21,F21,L18,L19,L20		16		8	
200 041 139	74 LS 139 N	H12,I19		16		8	
200 071 001	74 LS 240	B20,C20		20		10	
200 071 003	74 LS 374	H5,H8		20		10	
200 071 007	74 LS 244 N	I6,I7,J6,J7,J23,J27,L22		20		10	
200 071 245	74 LS 245 N	B21,E28,E29,F23,F26,J25,J28,L3		20		10	
200 071 299	74 LS 299 N	I8,I9,J9		20		10	
200 071 373	74 LS 373 N	I4,J4		20		10	
200 071 534	74 LS 534	J22,J26		20		10	
200 072 966	AM 29 66	K21,K22		20		10	
200 330 000	74 F 00	I11		14		7	
200 340 074	74 F 74	H14		14		7	
200 340 117	MC 10 H 117	A13	8			1,16	
200 340 138	74 F 138	I17		16		8	
200 340 379	74 F 379	K11		16		8	
200 341 175	74 F 175	K12		16		8	
200 440 191	74 F 191	B18,B19,C19		16		8	
200 540 384	74 LS 384	I3,J3		16		8	
200 570 684	74 LS 684	I5,J5		20		10	
205 240 264	RAM 41 64-15	K23,K24,K25,K26,K27,K28,K29,K30		8		16	
		L23,L24,L25,L26,L27,L28,L29,L30					
205 280 116	HM 611 GLP-2	B24				12	

LeCroy parts	IC	Designation	+3	-3	-5	+5	+12	GND	+15	-15	-12
206 042 508	06 508 C J	H 3						14	13	3	
207 280 800	DAC 800	J 21				13		21	22	14	
207 340 399	74 LS 399 N	J 11				16		8			
208 011 008	LM 311 N	C 17						1	8	4	
208 031 010	LM 339 N	J 17 F 17			12	3 3	12				
208 033 001	CA 30 46	E 1				8-11		12	5		
208 041 001	DAC-08 EQ	B 17						1	13	3	
208 110 353	LF 353 N	C 13							8	4	
208 122 337	LM 337 N	E 10									
208 123 002	LM 340 T-12	F 10									
208 130 324	LM 324	G 6					4				11
208 130 347	LF 347	G 4, G 5					4				11
208 570 317	LM 317	G 10									
208 124 003	LM 320T-12	F 11									
208 740 321	74 LS 321	K 17				16		8			
225 070 407	MUL 407	B 13			11	2		1,16			
227 391 068	68 000 L 8	N 29						16,53			
227 762 661	2661	L 4, L 6				26		4,16			
210 440 200	HV 200	A 4, C 4	27 34	11 18	10 19	28 35	29 36	5,14,21 23,20,39			9,15
220 010 101	HAB 101	A 3				8	4	3,8			1
208 011 004	NE 555							1			

NOTICE: THIS DESIGN IS THE SOLE PROPERTY OF LeCROY RESEARCH SYSTEMS. IT CONTAINS PROPRIETARY INFORMATION AND IS FURNISHED WITH THE UNDERSTANDING THAT IT IS NOT TO BE USED, DISCLOSED OR REPRODUCED IN ANY MANNER WITHOUT THE APPROVAL OF LeCROY RESEARCH SYSTEMS.

LeCroy RESEARCH SYSTEMS	
DRAWN BY/DATE P. PERRIN 19.12.85	MODEL 9400-1 MOTHER CARD SCHEMA
CHKD BY/DATE B-M J-F-G	
APPROVED BY/DATE 05-02-87	DWG NO: 9400-1-S1
SCALE 1/1	SH 18 OF 18 ECO NO. 1016
	ENG REV APP



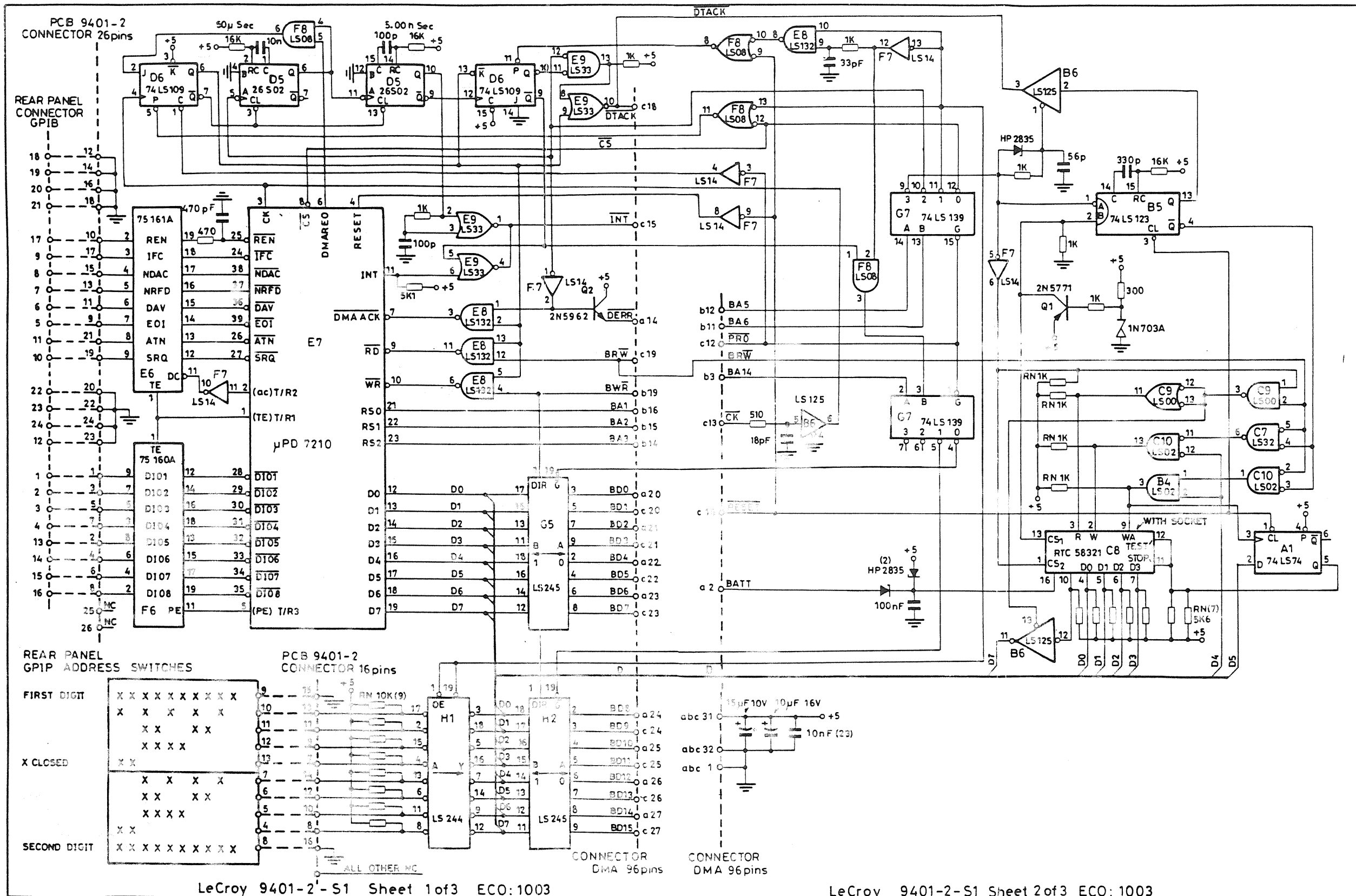


LeCroy parts	IC	Désignation	+5V	0V
200 031 028	SN 74 LS 00 N	A4,C9	14	7
200 031 049	SN 74 LS 74 N	A1,	14	7
200 031 051	SN 74 LS 02 N	C10,	14	7
200 031 066	SN 74 LS 132 N	E8,	14	7
200 031 073	SN 74 LS 32 N	A3,C7,	14	7
200 031 086	SN 74 LS 08 N	B4,F8,	14	7
200 031 089	SN 74 LS 125 N	B6,	14	7
200 031 095	SN 74 LS 14 N	F7,	14	7
200 031 101	SN 74 LS 393 N	B1,B2,	14	7
200 041 044	SN 74 LS 123 N	B5,	16	8
200 041 066	SN 74 LS 109 N	D6	16	8
200 041 070	SN 74 LS 257 AN	A5,F5,G6,	16	8
200 041 139	SN 74 LS 139 N	G7,	16	8
200 071 007	SN 74 LS 244 N	C5,G1,G2,G3,G4,H1,	20	10
200 071 245	SN 74 LS 245 N	G5,H2,	20	10
200 072 966	AM 2966 PC	C6,E5,	20	10
200 330 033	SN 74 LS 33 N	E9,	14	7
200 340 074	SN 74 F 74	B3,	14	7
200 341 175	SN 74 F 175 P	A2,	16	8
200 441 002	AM 26 S 02 PC	D5,	16	8
200 640 321	RTC 58 321	C8,		8
205 240 256	HM 50 256 P-15	C1,C2,C3,C4,D1,D2,D3,D4,E1, E2,E3,E4,F1,F2,F3,F4,	8	16
207 197 210	UPD 7210	E7,	40	20
207 470 160	SN 75 160 A	F6,	20	10
207 470 161	SN 75 161 AN	E6,	20	10

LeCroy 9401-2/1-S1 and 9401-2/2-S1 Sheet 3 of 4 ECO:1004

NOTICE: THIS DESIGN IS THE SOLE PROPERTY OF LeCROY RESEARCH SYSTEMS. IT CONTAINS PROPRIETARY INFORMATION AND IS FURNISHED WITH THE UNDERSTANDING THAT IT IS NOT TO BE USED, DISCLOSED OR REPRODUCED IN ANY MANNER WITHOUT THE APPROVAL OF LeCROY RESEARCH SYSTEMS.

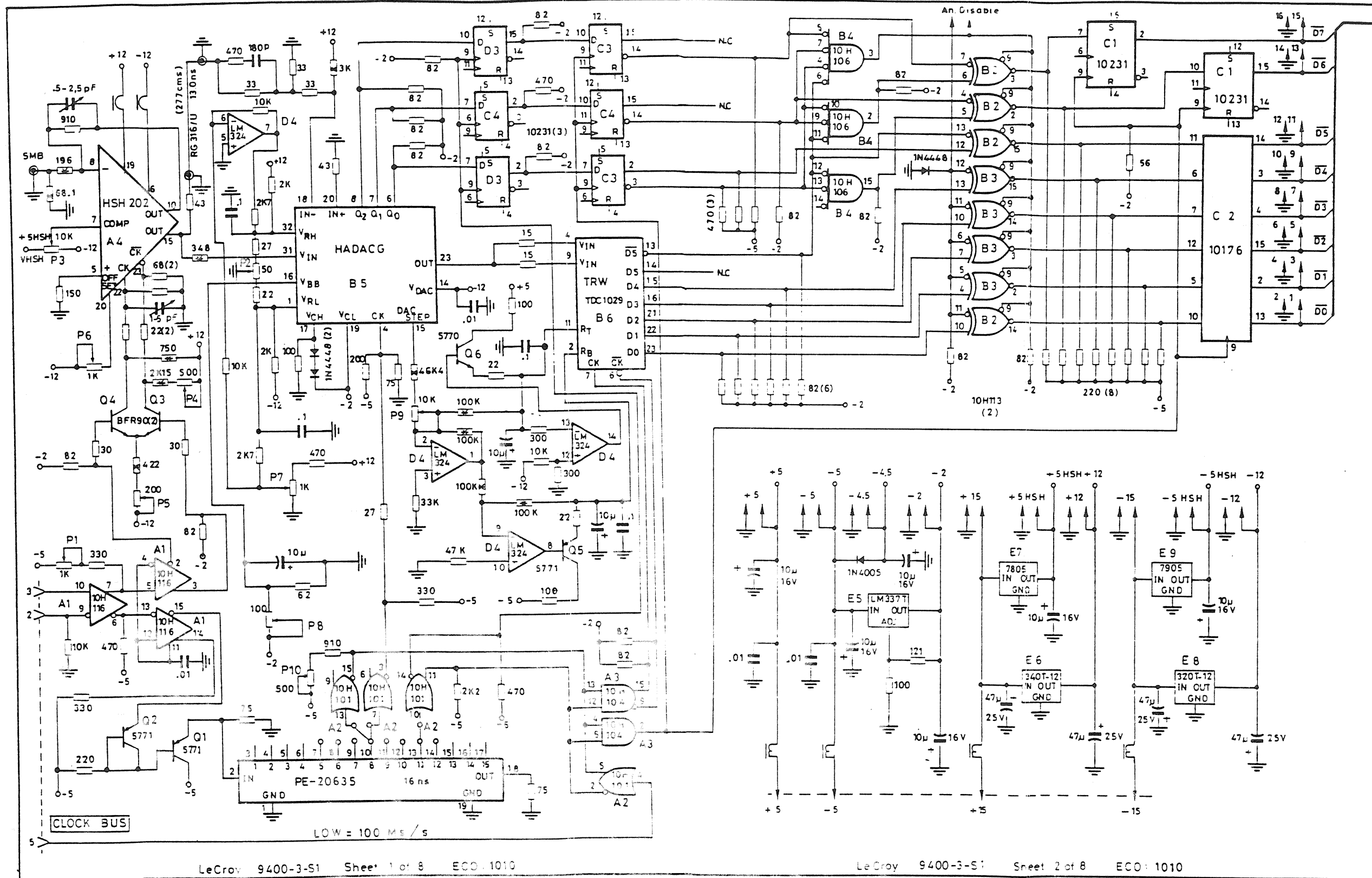
LeCroy RESEARCH SYSTEMS	
DRAWN BY/DATE P. PERRIN 18.12.85	MODEL 9401-2/1
CHKD BY/DATE B. MAURON	MODEL 9401-2/2
GPIB+MEMORY SCHEMA	
APPROVED BY/DATE 14-07-86	DWG NO: 9401-2/1-51
SCALE 1:1	DWG NO: 9401-2/2-51
SH. 4 OF 4	ECO NO. 1004

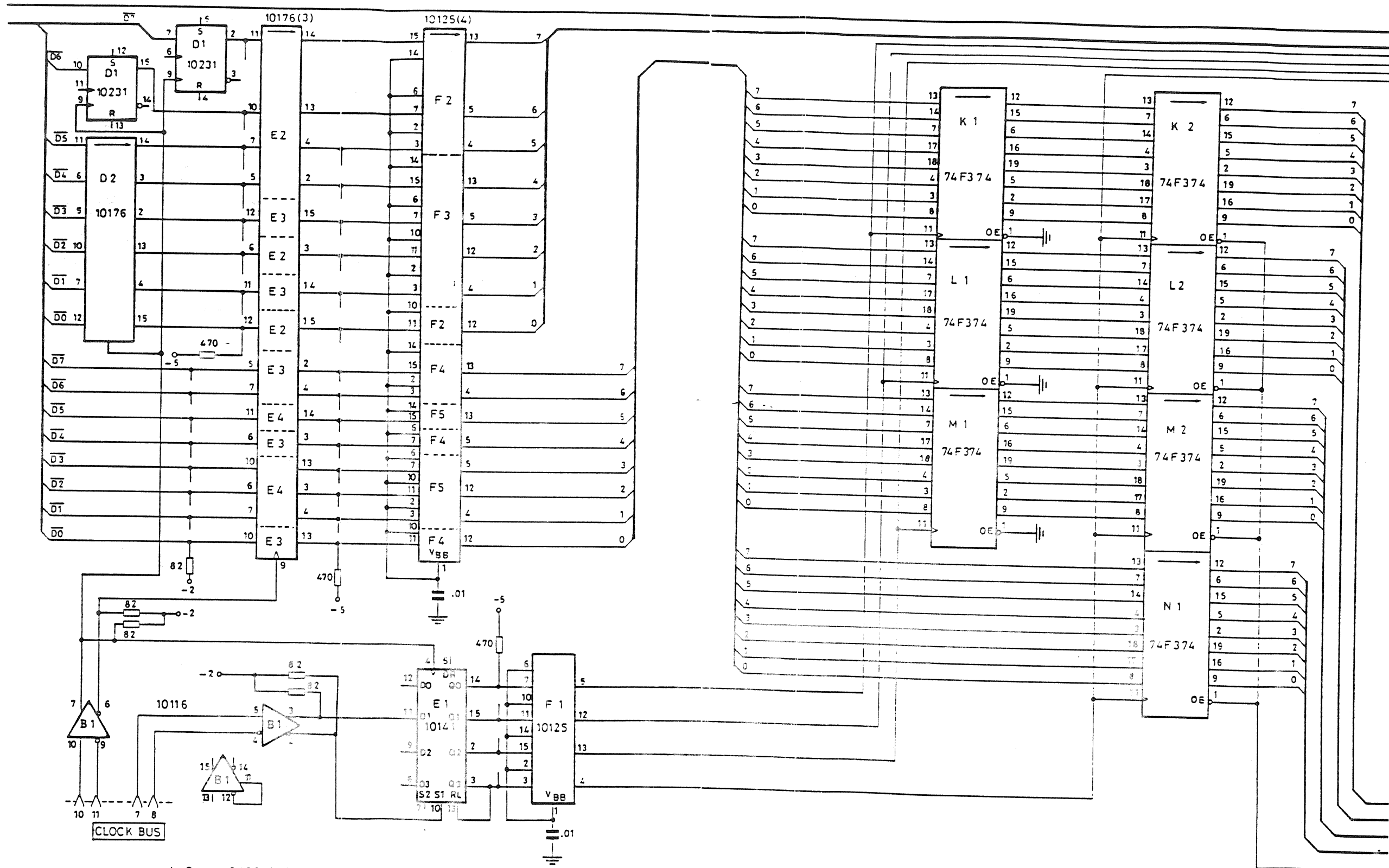


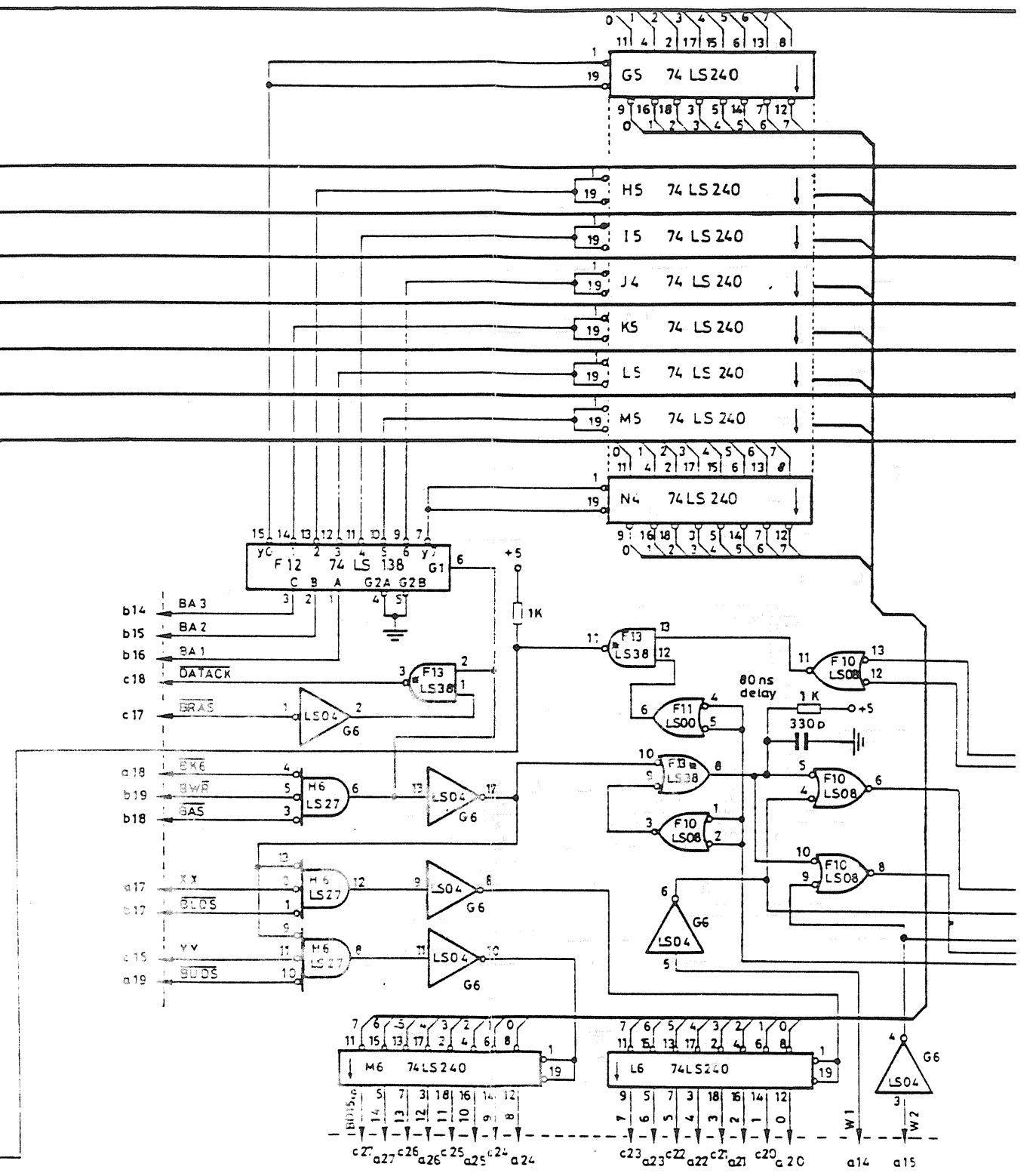
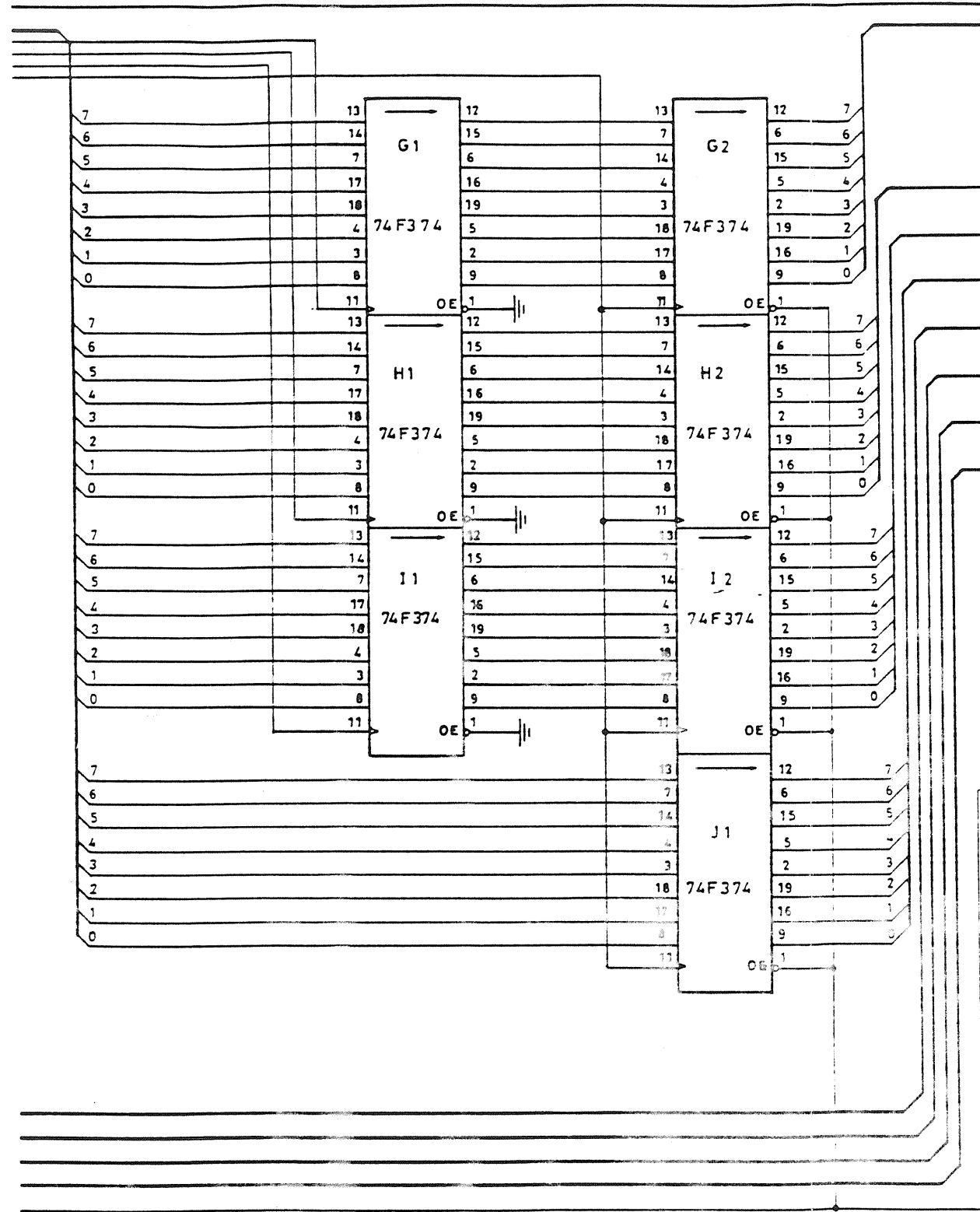
LeCroy parts	IC	Désignation	+5V	0V
200 031 028	SN 74 LS 00 N	C9,	14	7
200 031 049	SN 74 LS 00 N	A1,	14	7
200 031 051	SN 74 LS 02 N	C10,	14	7
200 031 066	SN 74 LS 132 N	E8,	14	7
200 031 073	SN 74 LS 32 N	C7,	14	7
200 031 086	SN 74 LS 08 N	B4,F8,	14	7
200 031 089	SN 74 LS 125 N	B6	14	7
200 031 095	SN 74 LS 14 N	F7,	14	7
200 041 044	SN 74 LS 123 N	B5,	16	8
200 041 066	SN 74 LS 109 N	D6,	16	8
200 041 139	SN 74 LS 139 N	G7,	16	8
200 071 007	SN 74 LS 244 N	H1,	20	10
200 071 245	SN 74 LS 245 N	G5,H2	20	10
200 330 033	SN 74 LS 33 N	E9	14	7
200 441 002	AM 26 S 02 PC	D5,	16	8
200 640 321	RTC 58 321	C8,		8
207 197 210	UPD 72 10	E7,	40	20
207 470 160	SN 75 160 A	F6,	20	10
207 470 161	SN 75 161 AN	E6,	20	10

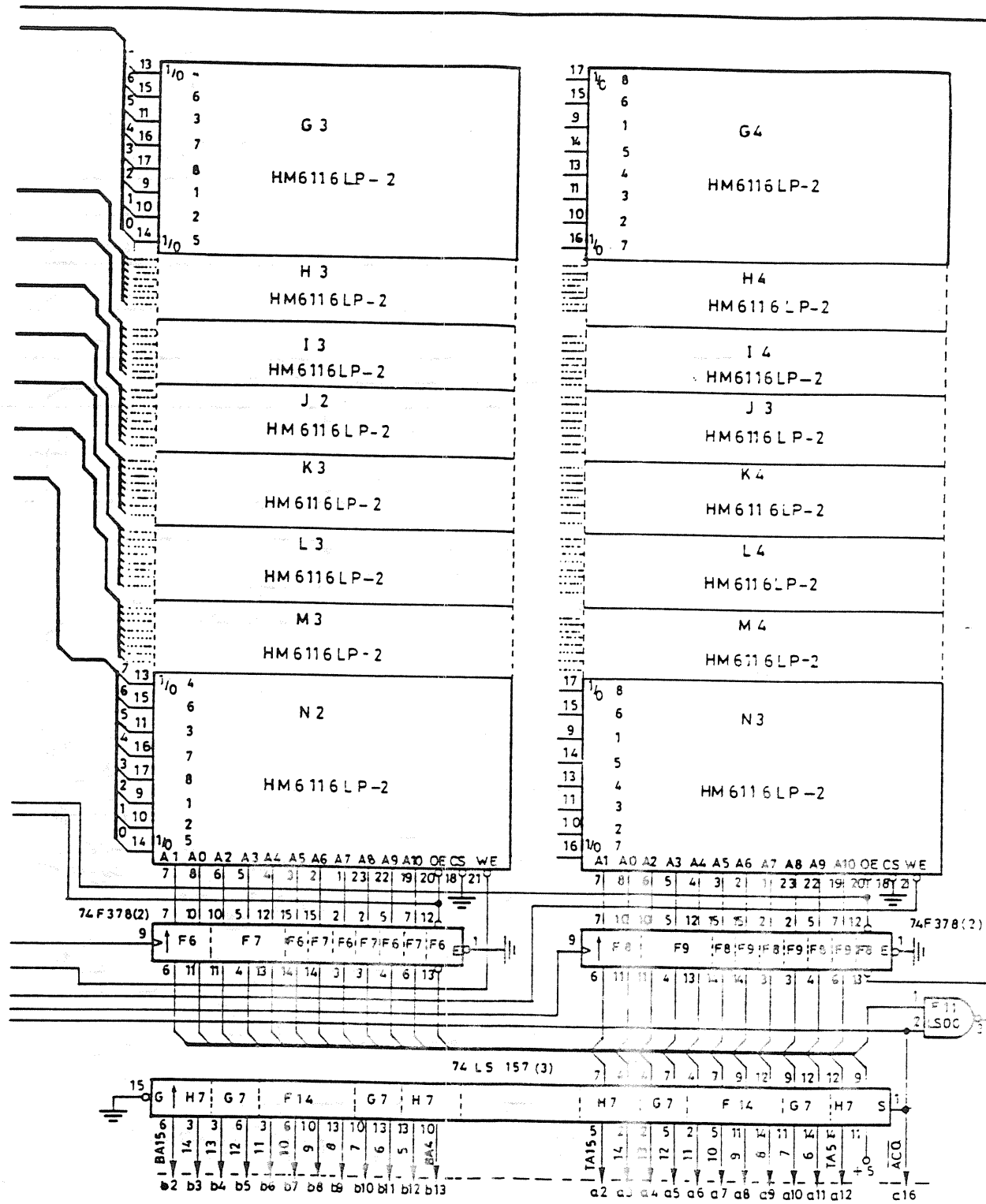
NOTICE: THIS DESIGN IS THE SOLE PROPERTY OF LECROY RESEARCH SYSTEMS
IT CONTAINS PROPRIETARY INFORMATION AND IS FURNISHED WITH THE UNDER
STANDING THAT IT IS NOT TO BE USED, DISCLOSED OR REPRODUCED IN ANY
MANNER WITHOUT THE APPROVAL OF LECROY RESEARCH SYSTEMS

LeCroy RESEARCH SYSTEMS			
DESIGN BY/DATE	MODEL 9401-2		
P. PERRIN 21.11.85	GPIB		
CHKD BY/DATE	SCHEMA		
B - MAURON			
APPROVED BY/DATE	DWG NO. 9401-2-S1	SIZE	
14-07-86			
SCALE	SH. 3 OF 3	ECO NO. 1003	ENG REV APP
1:1			

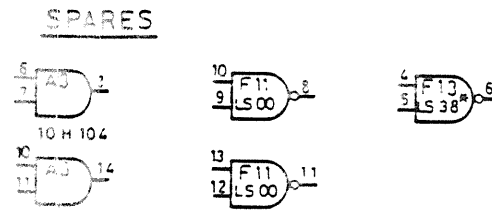








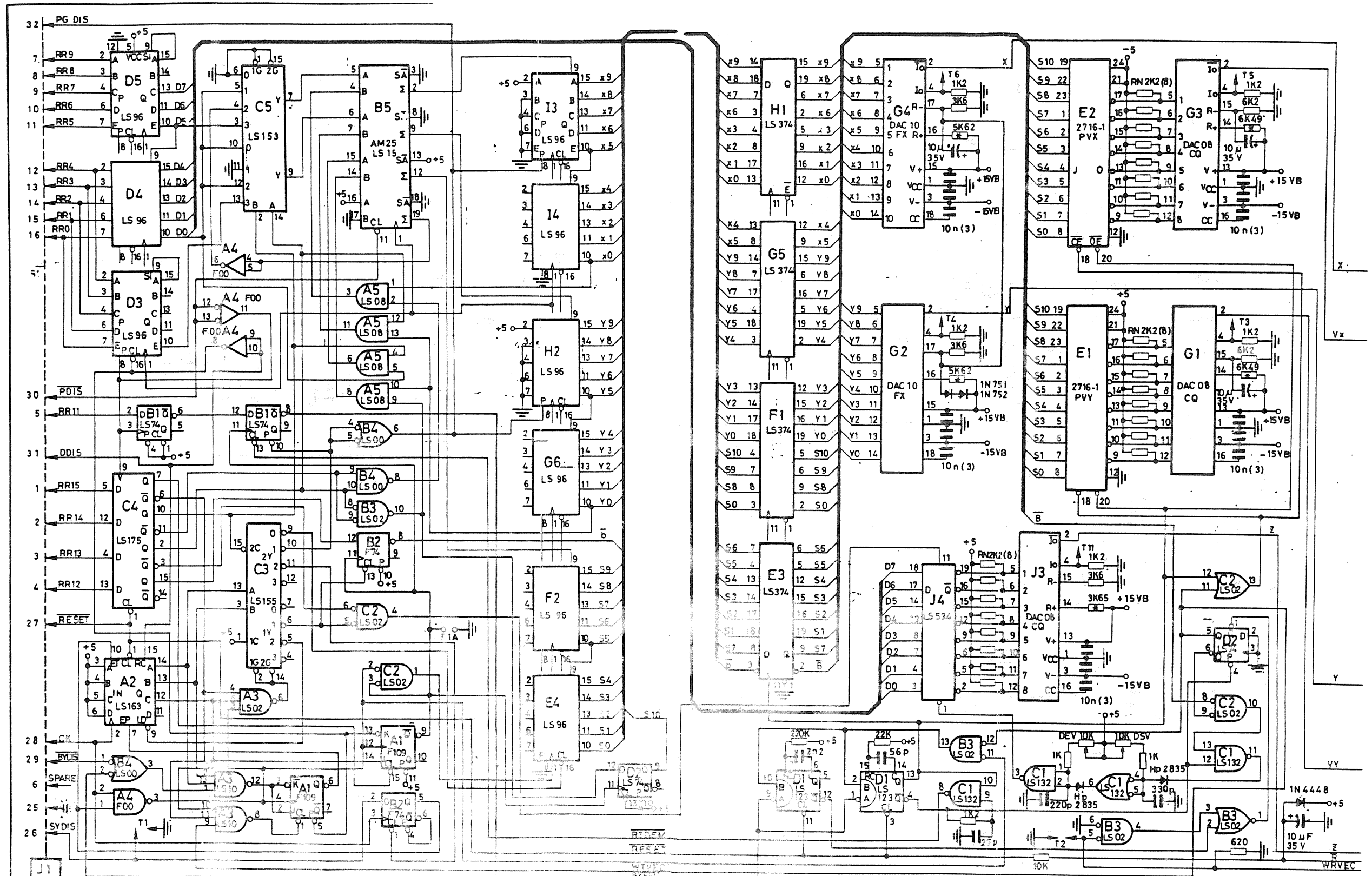
LeCroy Parts N°	IC	DESIGNATION	-12V	-5V HSH	-5V	-4.5VIGND	+5V	+5V HSH	+12V
200 031 028	SN 74 LS 00N	F11					7	14	
200 031 046	SN 74 LS 04N	G6					7	14	
200 031 057	SN 74 LS 27N	H6					7	14	
200 031 086	SN 74 LS 08N	F10					7	14	
200 032 010	74 LS 38 PC	F13					7	14	
200 041 027	SN 74 LS 157N	F14,G7,H7					8	16	
200 041 062	SN 74 LS 138N	F12					8	16	
200 071 001	SN 74 LS 240	G5,H5,I5,J4,K5,L5,L6 M5,M6,N4					10	20	
200 340 113	MC 10 H 113	B2,B3			8		1.16		
200 340 378	74 F 378	F6,F7,F8,F9,					8	16	
200 341 106	10 H 106	B4			8		1.16		
200 344 101	10 H 101 P	A2			8		1.16		
200 344 104	10 H 104	A3			8		1.16		
200 371 374	74 F 374 PC	G1,G2,H1,H2,I1,I2,J1 K1,K2,L1,L2,M1,M2,N2					10	20	
204 022 002	MC 10176 L	C2,E2,E3,E4,D2,			8		1.16		
204 042 008	MC 10125 P	F1,F2,F3,F4,F5,			8		16	9	
204 042 011	MC 10116 P	B1			8		1.16		
200 042 141	MC 10141	E1			8		1.16		
204 043 231	MC 10231 P	C3,C4,D1,D3,C1			8		1.16		
205 280 116	HM 6116 LP-2	G3,G4,H3,H4,I3,I4,J2 K3,K4,L3,L4,M3,M4, N2,N3					12	24	
207 444 116	10 H 116	A1			8		1.16		
207 281 029	TDC 1029	B6			1.12		358		
208 130 324	IM 324	D4	11		18,19		10,17		
210 060 032	HADAG G	B5	21		24		20		
210 080 202	HSH 202	A4		9	5	39,10	2	22	4

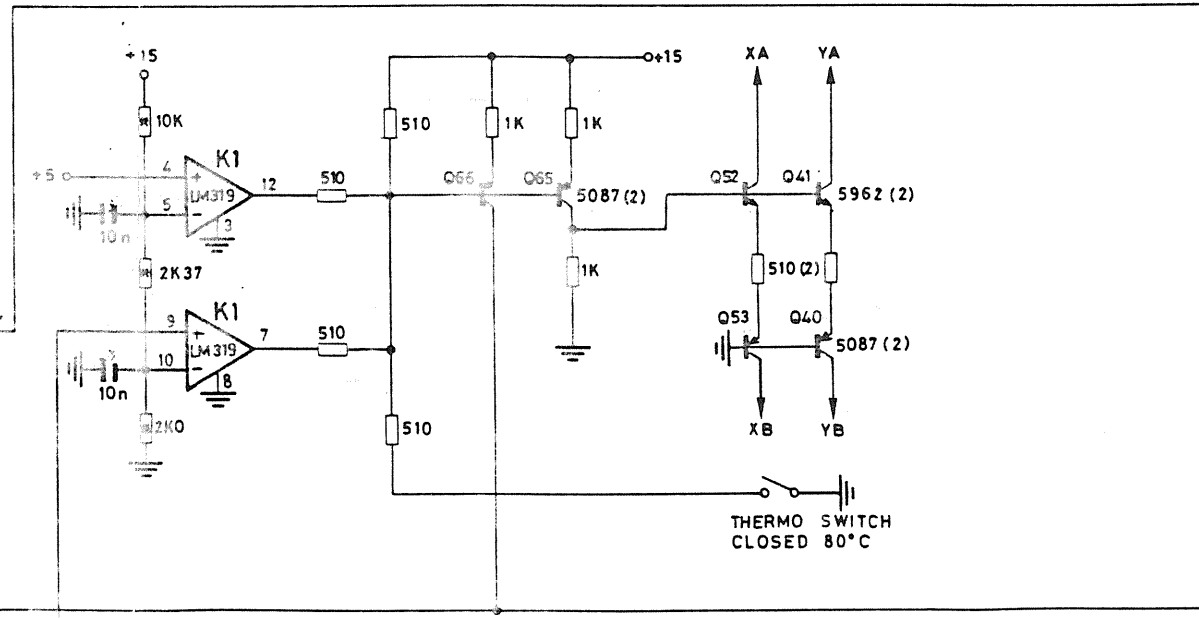
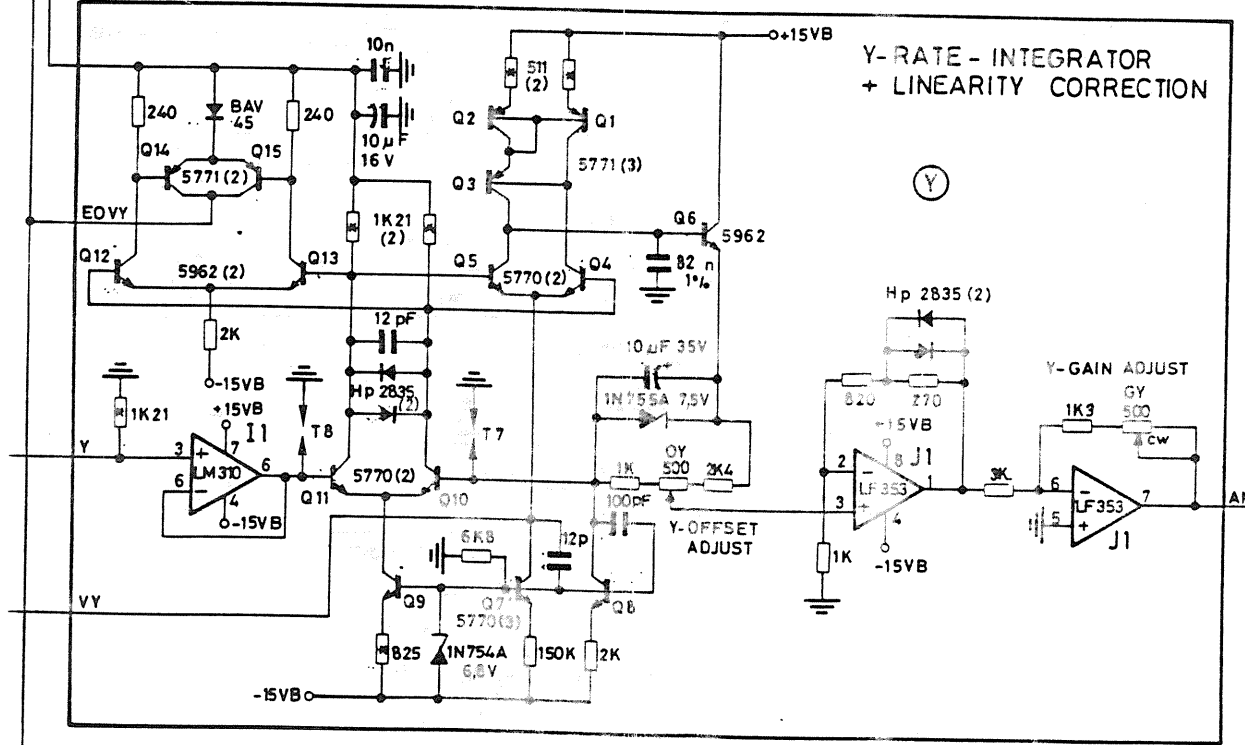
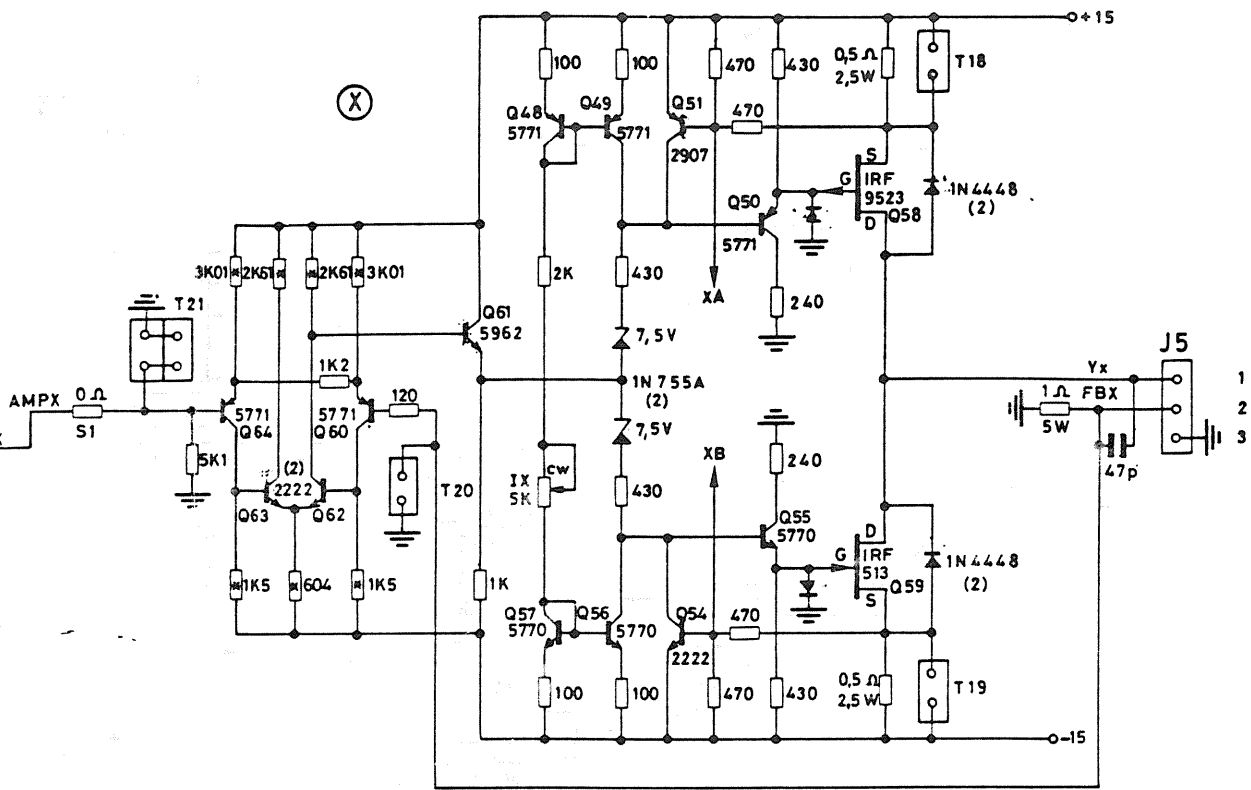
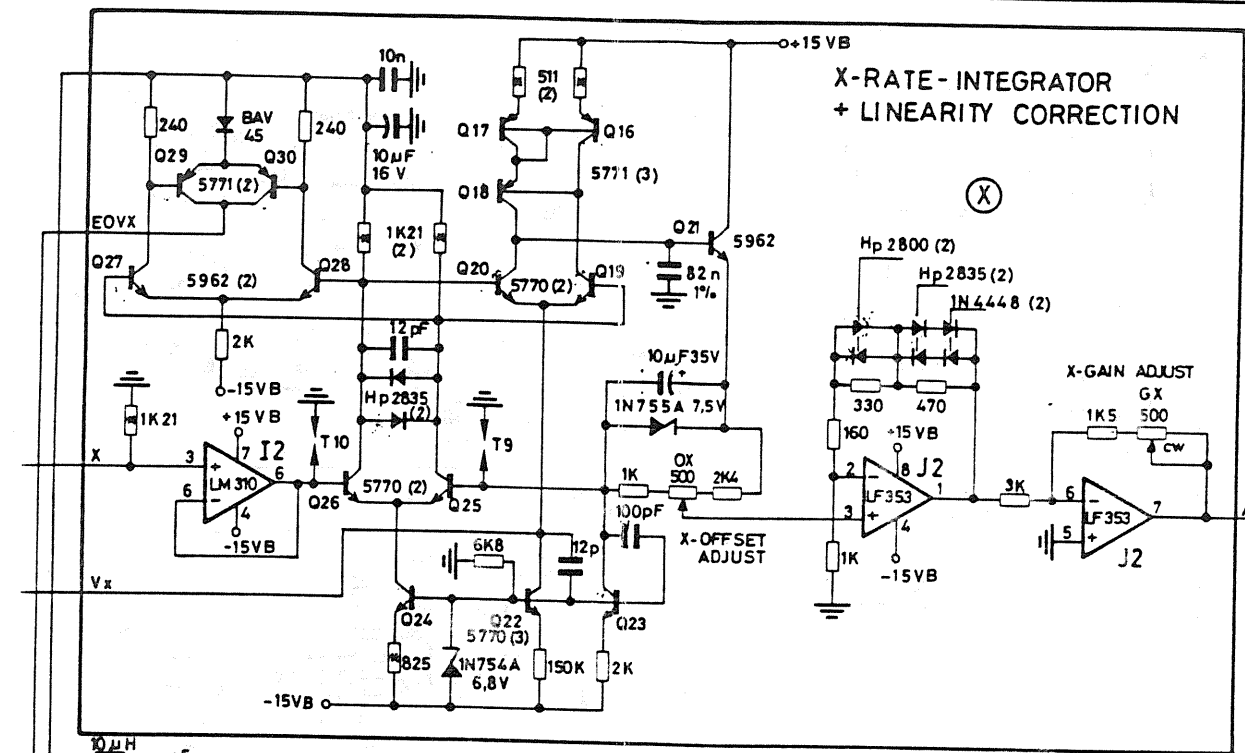


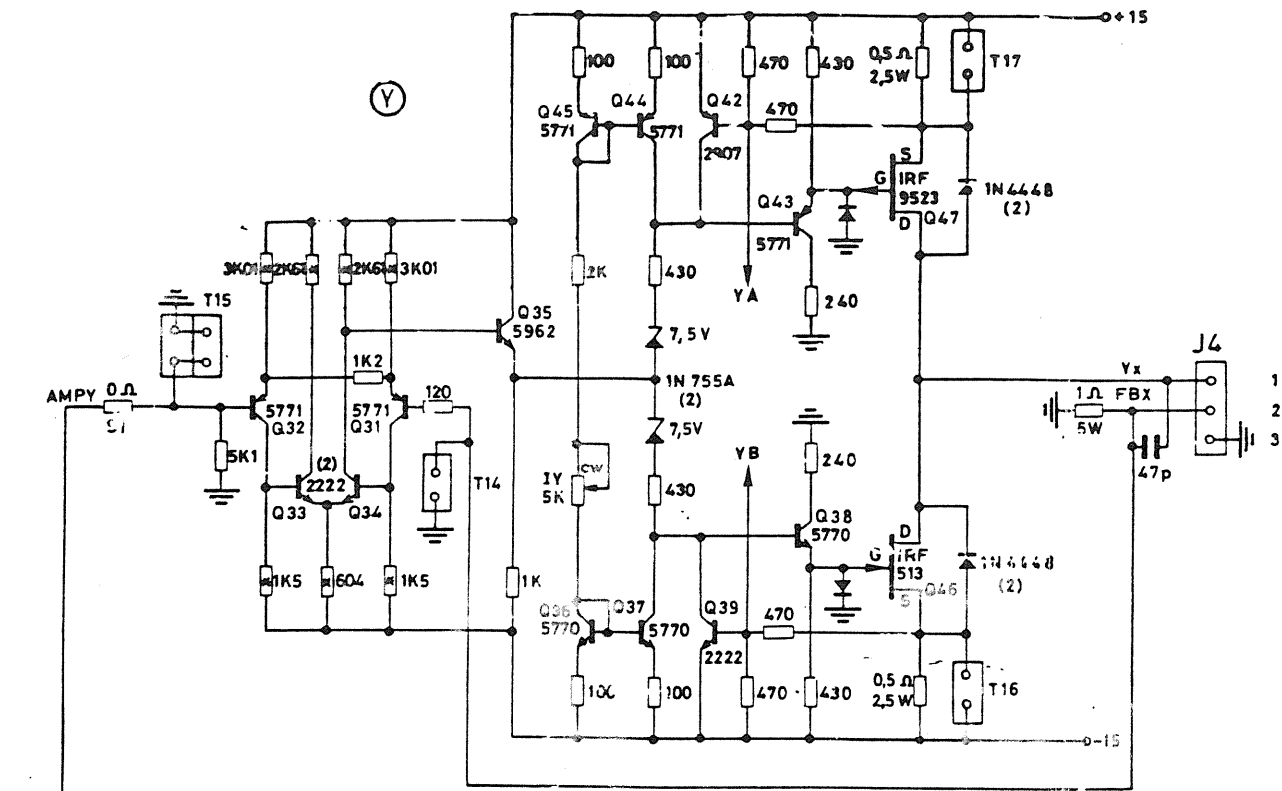
NOTICE: THIS DESIGN IS THE SOLE PROPERTY OF LeCROY RESEARCH SYSTEMS. IT CONTAINS PROPRIETARY INFORMATION AND IS FURNISHED WITH THE UNDERSTANDING THAT IT IS NOT TO BE USED, DISCLOSED OR REPRODUCED IN ANY MANNER WITHOUT THE APPROVAL OF LeCROY RESEARCH SYSTEMS.

LeCroy RESEARCH SYSTEMS	
DRAWN BY/DATE	MODEL 9400-3
CHKD BY/DATE	ADC
JF-GOUMAZ	SCHEMATIC
APPROVED BY/DATE	DWG NO- 9400-3-S1
19-12-86	SCALE
8 of 8	ECO NO. 1010

RES 1%

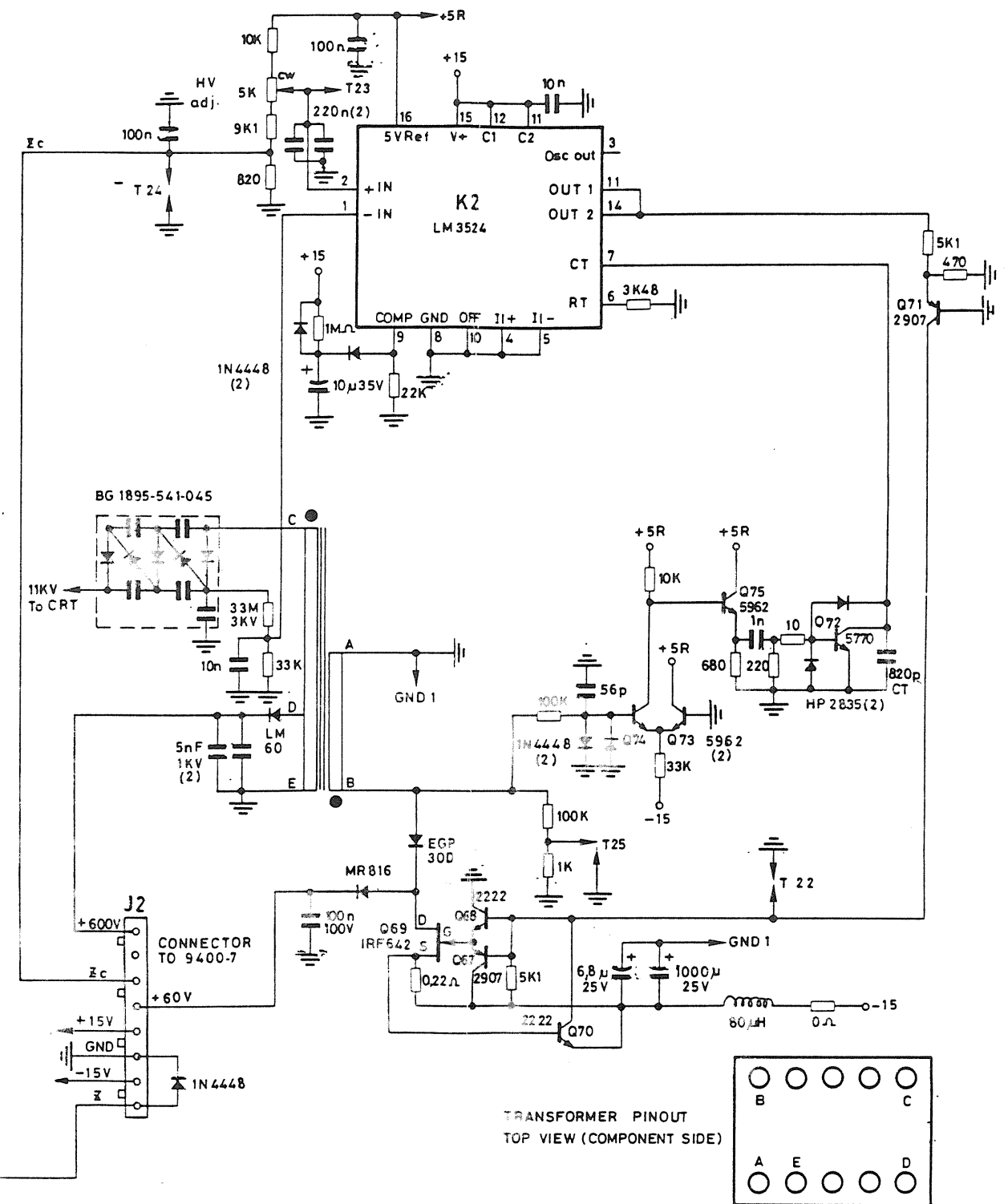
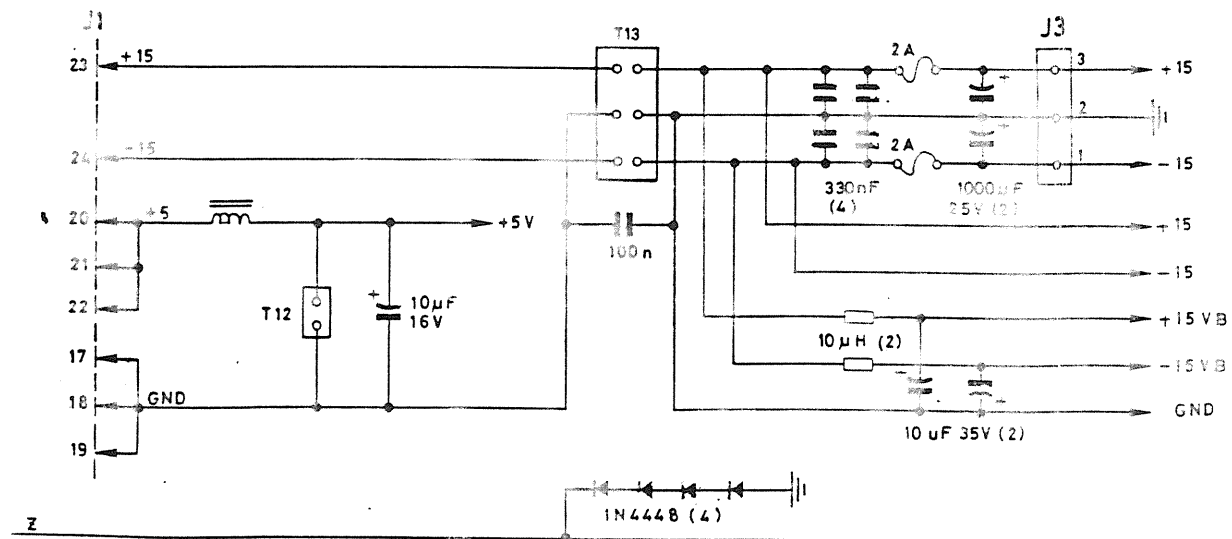




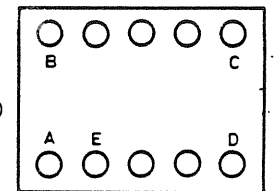


DIGITAL POWER

ANALOG POWER



TRANSFORMER PINOUT
TOP VIEW (COMPONENT SIDE)

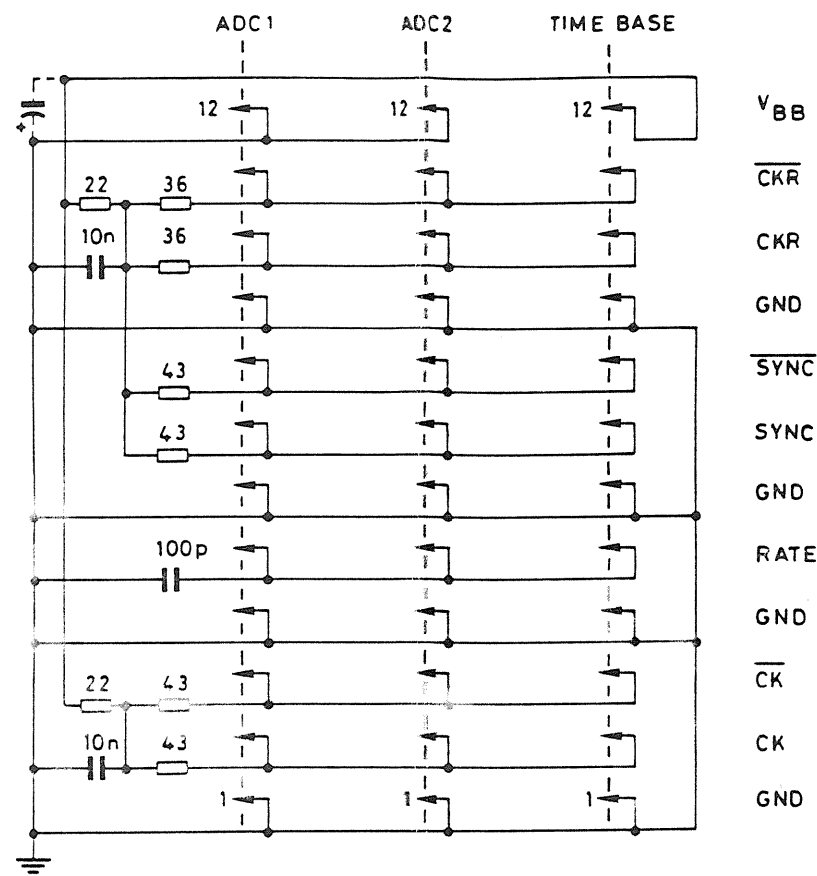


LeCroy parts :	IC :	Désignation :	+5	0V	+15	-15
200 031 028	SN 74 LS 00N	B4	14	7		
200 031 047	SN 74 LS 10N	A3	14	7		
200 031 049	SN 74 LS 74N	B1, D2	14	7		
200 031 051	SN 74 LS 02N	B3, C2	14	7		
200 031 066	SN 74 LS 132N	C1	14	7		
200 031 086	SN 74 LS 08N	A5	14	7		
200 041 044	SN 74 LS 123N	D1	16	8		
200 041 049	SN 74 LS 175N	C4	16	8		
200 041 054	SN 74 LS 153N	C5	16	8		
200 041 155	SN 74 LS 155N	C3	16	8		
200 071 003	SN 74 LS 374	E3, F1, G5, H1	20	10		
200 071 534	74 LS 534	J4	20	10		
200 330 000	74 F 00	A4	14	7		
200 340 074	74 F 74	B2	14	7		
200 340 109	74 F 109	A1	16	8		
200 442 163	74 LS 163	A2	16	8		
200 570 015	AM 25 LS 15	B5	20	10		
205 381 716	2716 - 1	E1, E2	24	12		
205 640 096	74 LS 96	D3, D4, D5, E4, F2, G6, H2, I3, I4, G2, G4, I1, I2, G1, G3, J3	5	12		
207 262 010	DAC - 10			1	15	3
208 011 005	LM 310 N				7	4
208 041 001	DAC - 08			1	13	3
208 041 524	3524	K2		8	12,13	
208 110 353	LF 353 N	J1, J2			15	
208 031 009	LM 319 N	K1		3,6,8	8	4
					11	

12
13
14
15
16
17
18
19
20
21
22
23
24
25
26
27
28
29
30
31
32
33
34
35
36
37
38
39
40
41
42
43
44
45
46
47
48
49
50
51
52
53
54
55
56
57
58
59
60
61
62
63
64
65
66
67
68
69
70
71
72
73
74
75
76
77
78
79
80
81
82
83
84
85
86
87
88
89
90
91
92
93
94
95
96
97
98
99
100
101
102
103
104
105
106
107
108
109
110
111
112
113
114
115
116
117
118
119
120
121
122
123
124
125
126
127
128
129
130
131
132
133
134
135
136
137
138
139
140
141
142
143
144
145
146
147
148
149
150
151
152
153
154
155
156
157
158
159
160
161
162
163
164
165
166
167
168
169
170
171
172
173
174
175
176
177
178
179
180
181
182
183
184
185
186
187
188
189
190
191
192
193
194
195
196
197
198
199
200
201
202
203
204
205
206
207
208
209
210
211
212
213
214
215
216
217
218
219
220
221
222
223
224
225
226
227
228
229
230
231
232
233
234
235
236
237
238
239
240
241
242
243
244
245
246
247
248
249
250
251
252
253
254
255
256
257
258
259
260
261
262
263
264
265
266
267
268
269
270
271
272
273
274
275
276
277
278
279
280
281
282
283
284
285
286
287
288
289
290
291
292
293
294
295
296
297
298
299
300
301
302
303
304
305
306
307
308
309
310
311
312
313
314
315
316
317
318
319
320
321
322
323
324
325
326
327
328
329
330
331
332
333
334
335
336
337
338
339
340
341
342
343
344
345
346
347
348
349
350
351
352
353
354
355
356
357
358
359
360
361
362
363
364
365
366
367
368
369
370
371
372
373
374
375
376
377
378
379
380
381
382
383
384
385
386
387
388
389
390
391
392
393
394
395
396
397
398
399
400
401
402
403
404
405
406
407
408
409
410
411
412
413
414
415
416
417
418
419
420
421
422
423
424
425
426
427
428
429
430
431
432
433
434
435
436
437
438
439
440
441
442
443
444
445
446
447
448
449
450
451
452
453
454
455
456
457
458
459
460
461
462
463
464
465
466
467
468
469
470
471
472
473
474
475
476
477
478
479
480
481
482
483
484
485
486
487
488
489
490
491
492
493
494
495
496
497
498
499
500
501
502
503
504
505
506
507
508
509
510
511
512
513
514
515
516
517
518
519
520
521
522
523
524
525
526
527
528
529
530
531
532
533
534
535
536
537
538
539
540
541
542
543
544
545
546
547
548
549
550
551
552
553
554
555
556
557
558
559
560
561
562
563
564
565
566
567
568
569
570
571
572
573
574
575
576
577
578
579
580
581
582
583
584
585
586
587
588
589
590
591
592
593
594
595
596
597
598
599
600
601
602
603
604
605
606
607
608
609
610
611
612
613
614
615
616
617
618
619
620
621
622
623
624
625
626
627
628
629
630
631
632
633
634
635
636
637
638
639
640
641
642
643
644
645
646
647
648
649
650
651
652
653
654
655
656
657
658
659
660
661
662
663
664
665
666
667
668
669
670
671
672
673
674
675
676
677
678
679
680
681
682
683
684
685
686
687
688
689
690
691
692
693
694
695
696
697
698
699
700
701
702
703
704
705
706
707
708
709
710
711
712
713
714
715
716
717
718
719
720
721
722
723
724
725
726
727
728
729
730
731
732
733
734
735
736
737
738
739
740
741
742
743
744
745
746
747
748
749
750
751
752
753
754
755
756
757
758
759
760
761
762
763
764
765
766
767
768
769
770
771
772
773
774
775
776
777
778
779
780
781
782
783
784
785
786
787
788
789
790
791
792
793
794
795
796
797
798
799
800
801
802
803
804
805
806
807
808
809
810
811
812
813
814
815
816
817
818
819
820
821
822
823
824
825
826
827
828
829
830
831
832
833
834
835
836
837
838
839
840
841
842
843
844
845
846
847
848
849
850
851
852
853
854
855
856
857
858
859
860
861
862
863
864
865
866
867
868
869
870
871
872
873
874
875
876
877
878
879
880
881
882
883
884
885
886
887
888
889
890
891
892
893
894
895
896
897
898
899
900
901
902
903
904
905
906
907
908
909
910
911
912
913
914
915
916
917
918
919
920
921
922
923
924
925
926
927
928
929
930
931
932
933
934
935
936
937
938
939
940
941
942
943
944
945
946
947
948
949
950
951
952
953
954
955
956
957
958
959
960
961
962
963
964
965
966
967
968
969
970
971
972
973
974
975
976
977
978
979
980
981
982
983
984
985
986
987
988
989
990
991
992
993
994
995
996
997
998
999
1000

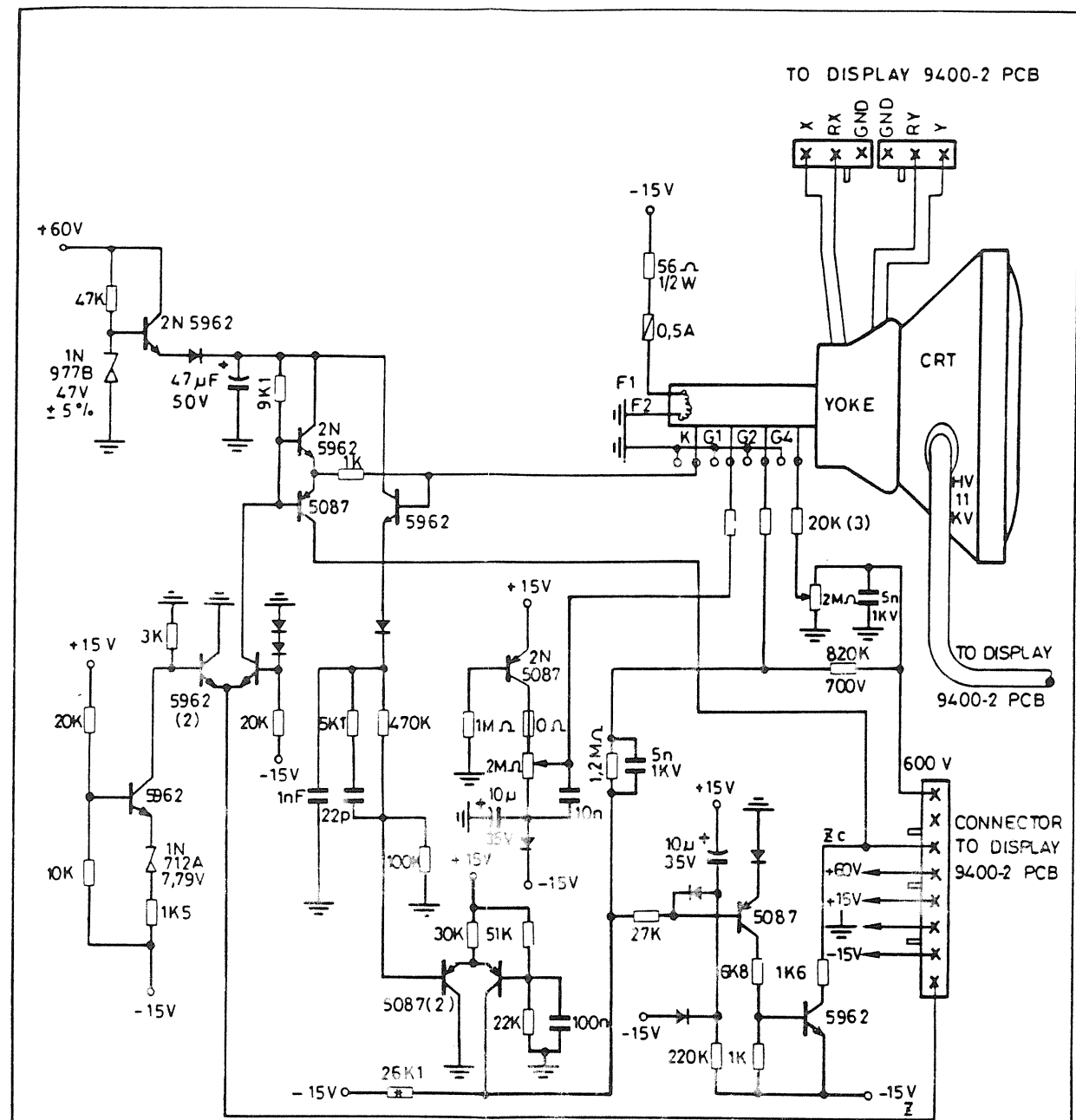
NOTICE: THIS DESIGN IS THE SOLE PROPERTY OF LeCroy RESEARCH SYSTEMS. IT CONTAINS PROPRIETARY INFORMATION AND IS FURNISHED WITH THE UNDERSTANDING THAT IT IS NOT TO BE USED, DISCLOSED OR REPRODUCED IN ANY MANNER WITHOUT THE APPROVAL OF LeCroy RESEARCH SYSTEMS.

LeCroy. RESEARCH SYSTEMS			
DRAWN M. S. ...	MODEL 9400-2		
CHECKED D. AEBISCH	DISPLAY CARD		
DATE 25-06-85	SCHEMA		
DRAWING NUMBER 9400-2-S1	SHEET 7 OF 7	ECO 1014	DATE 15-7-87

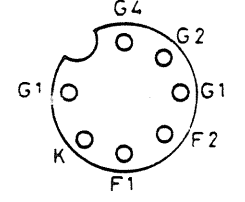


NOTICE: THIS DESIGN IS THE SOLE PROPERTY OF LeCroy RESEARCH SYSTEMS. IT CONTAINS PROPRIETARY INFORMATION AND IS FURNISHED WITH THE UNDERSTANDING THAT IT IS NOT TO BE USED, DISCLOSED OR REPRODUCED IN ANY MANNER WITHOUT THE APPROVAL OF LeCroy RESEARCH SYSTEMS.

LeCroy RESEARCH SYSTEMS		
DRAWN <i>H.A. Vittet</i>	MODEL 9400-8	
CHECKED JP.VITTET	CLOCK BUS	
DATE 7-2-85	SCHEMATIC	
DRAWING NUMBER: 9400-8-S1	SHEET 1 OF 1	ECO NO 1000 DATE 7-2-85



CRT CONNECTOR TOP VIEW ← 1N 444 8



NOTICE: THIS DESIGN IS THE SOLE PROPERTY OF LeCROY RESEARCH SYSTEMS. IT CONTAINS PROPRIETARY INFORMATION AND IS FURNISHED WITH THE UNDERSTANDING THAT IT IS NOT TO BE USED, DISCLOSED OR REPRODUCED IN ANY MANNER WITHOUT THE APPROVAL OF LeCROY RESEARCH SYSTEMS.

LeCroy RESEARCH SYSTEMS			
DRAWN BY/DATE M. A. O. / 11-85	MODEL 9400-7		
CHKD BY/DATE D-AEBISCHER	TV FOCUS SCHEMATIC		
APPROVED BY/DATE 28-10-85	DWG NO	9400-7-S1	SIZE
SCALE	ECO DATE 31-3-87	SH. 1 OF 1	ECO NO. 1004
			ENG REV APP

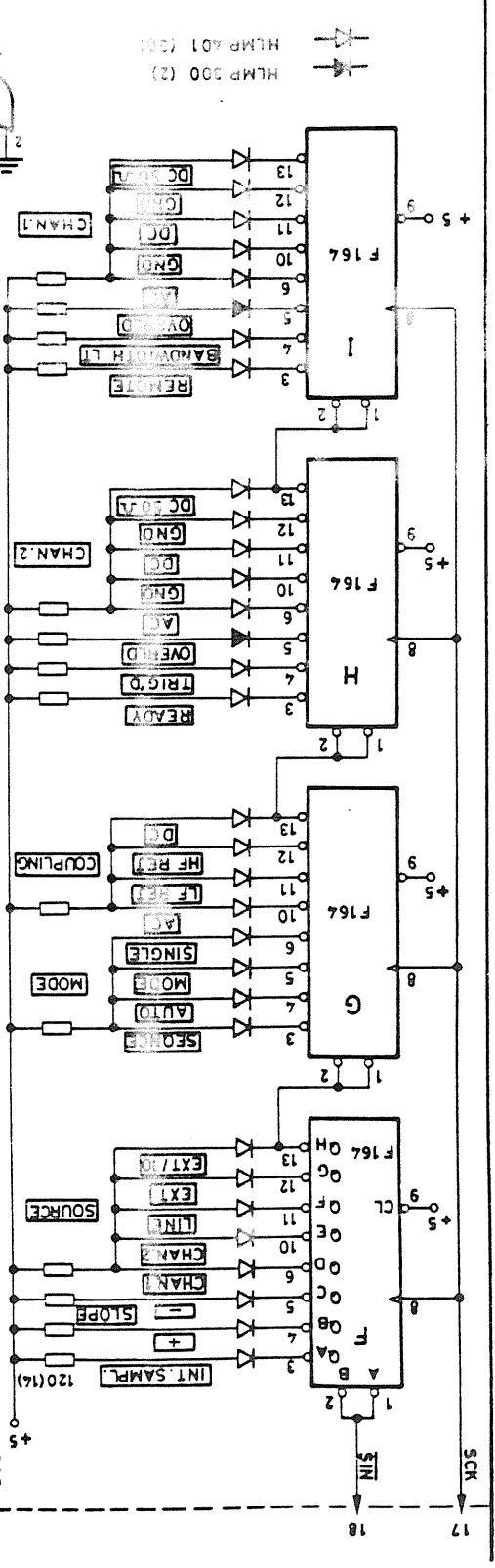
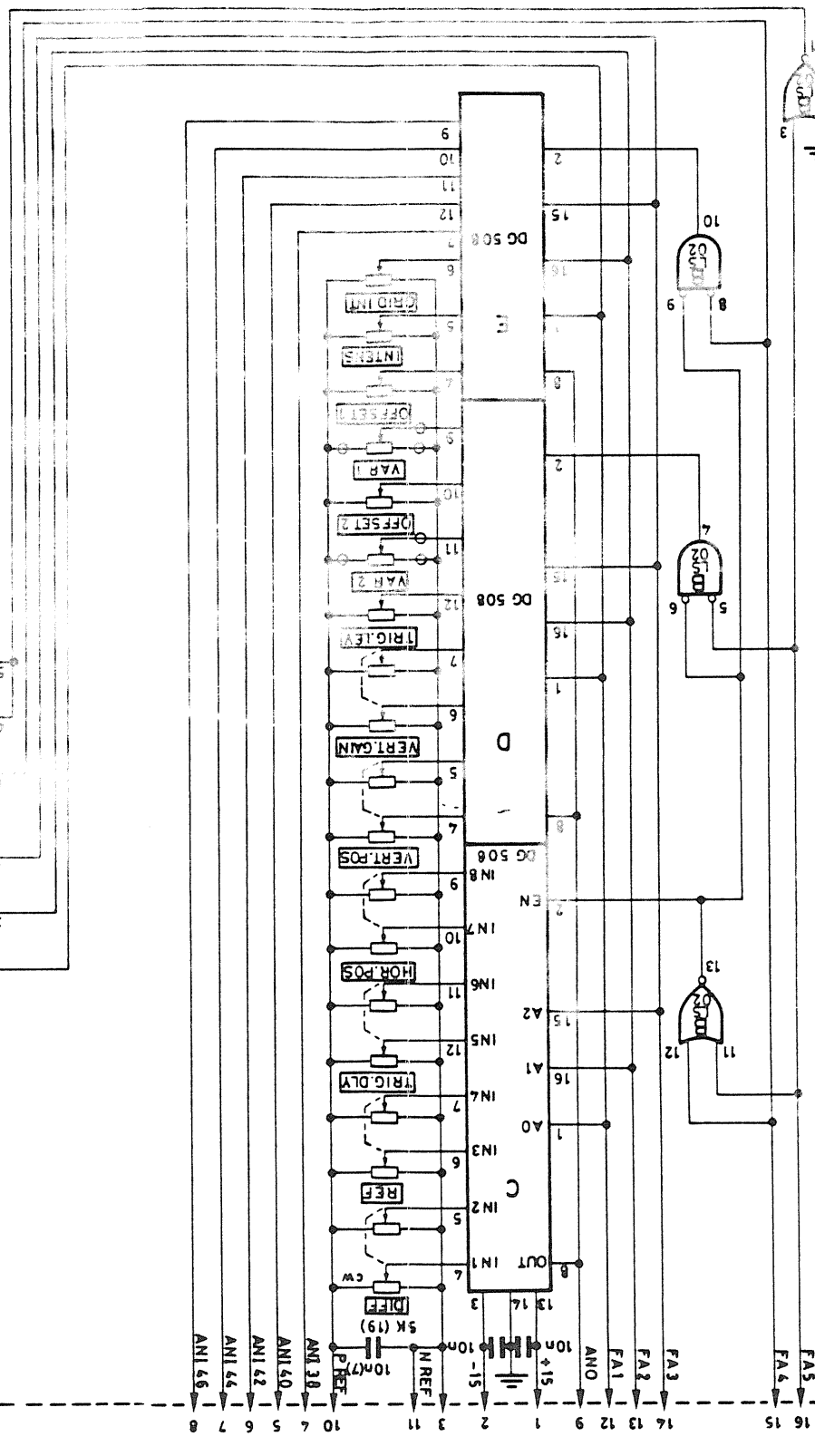
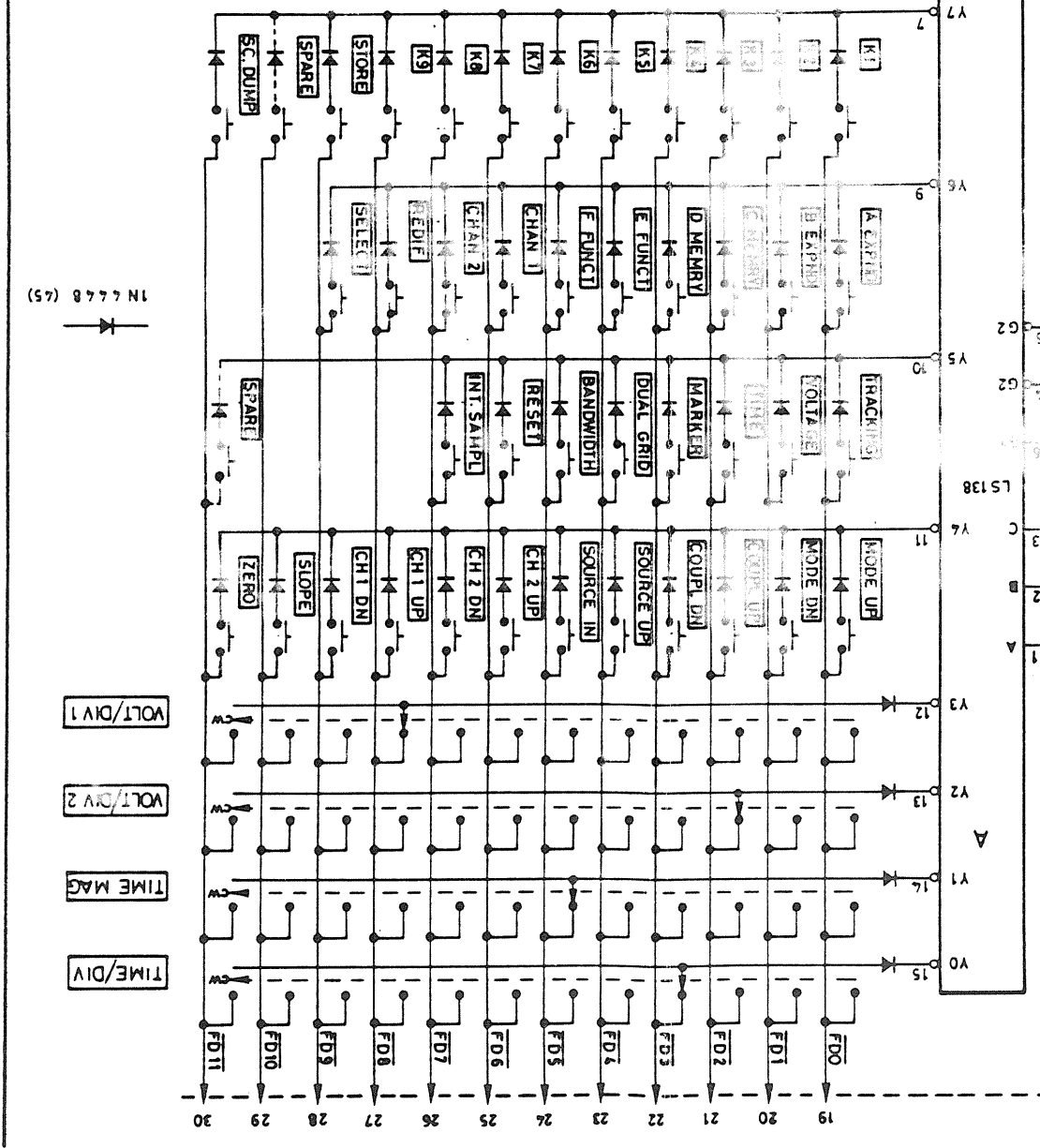
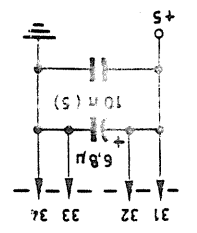
LeCroy RESEARCH SYSTEMS

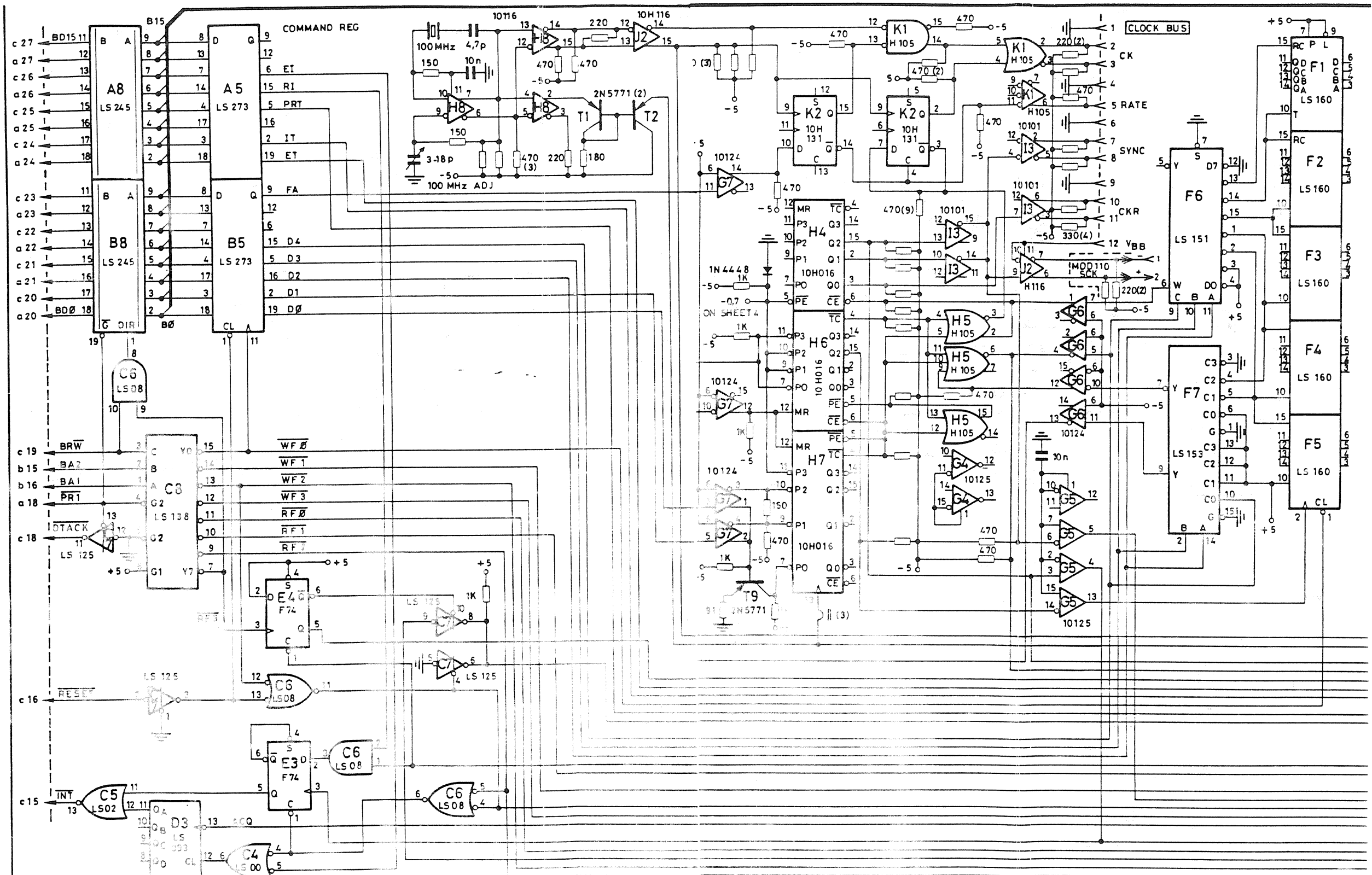
MODEL 9400-5
FRONT PANEL

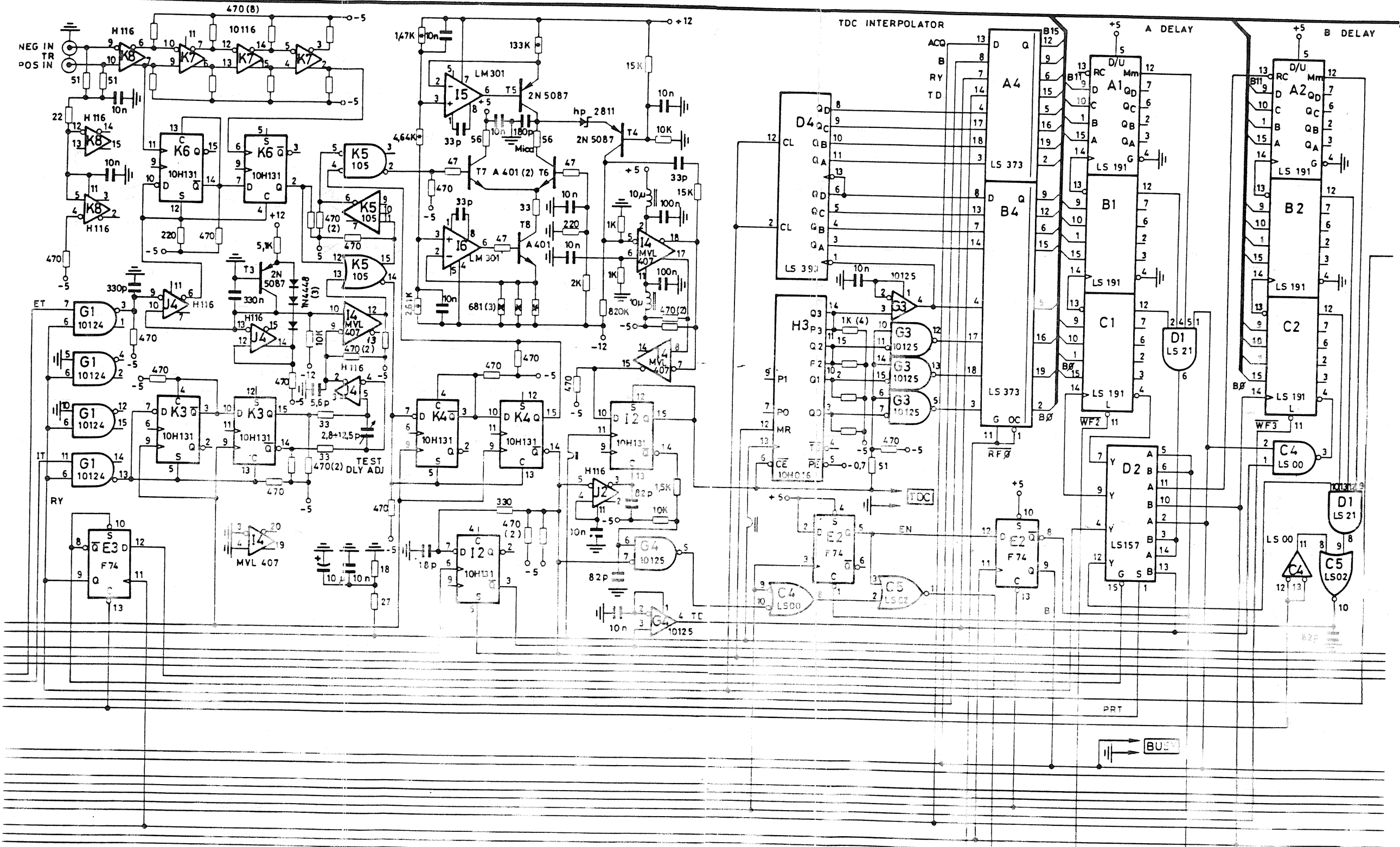
DATE 14-2-85
CHECKED JP VITTEI
DRAWN KA

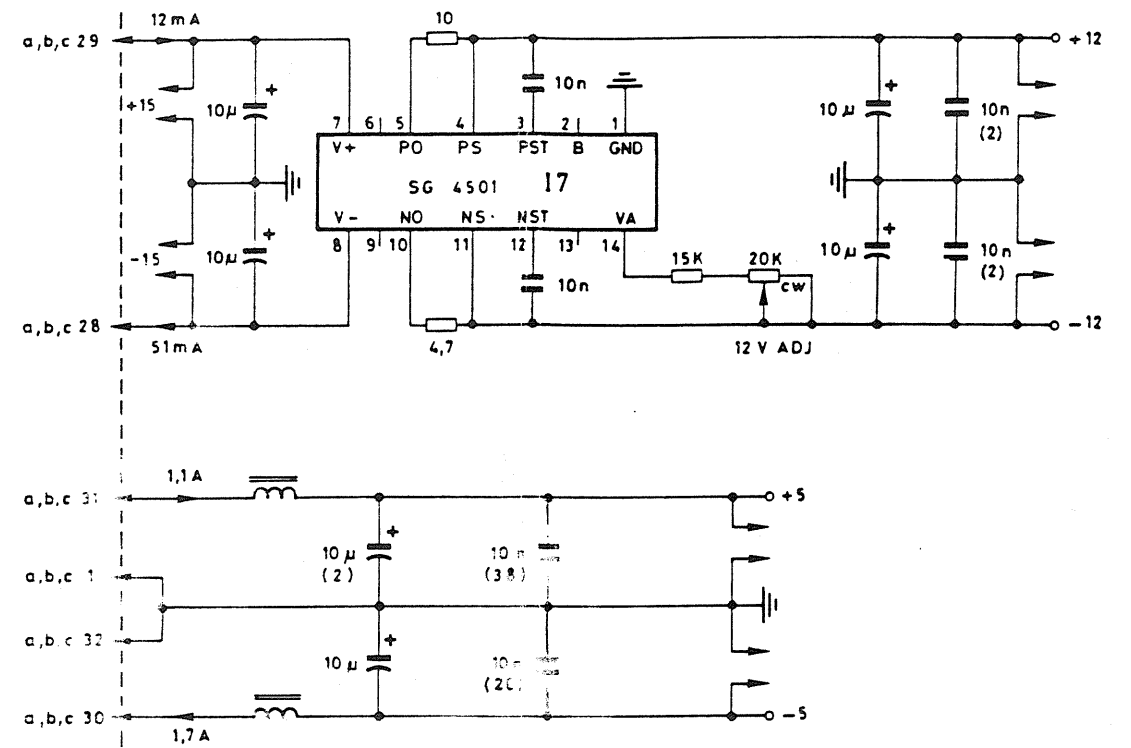
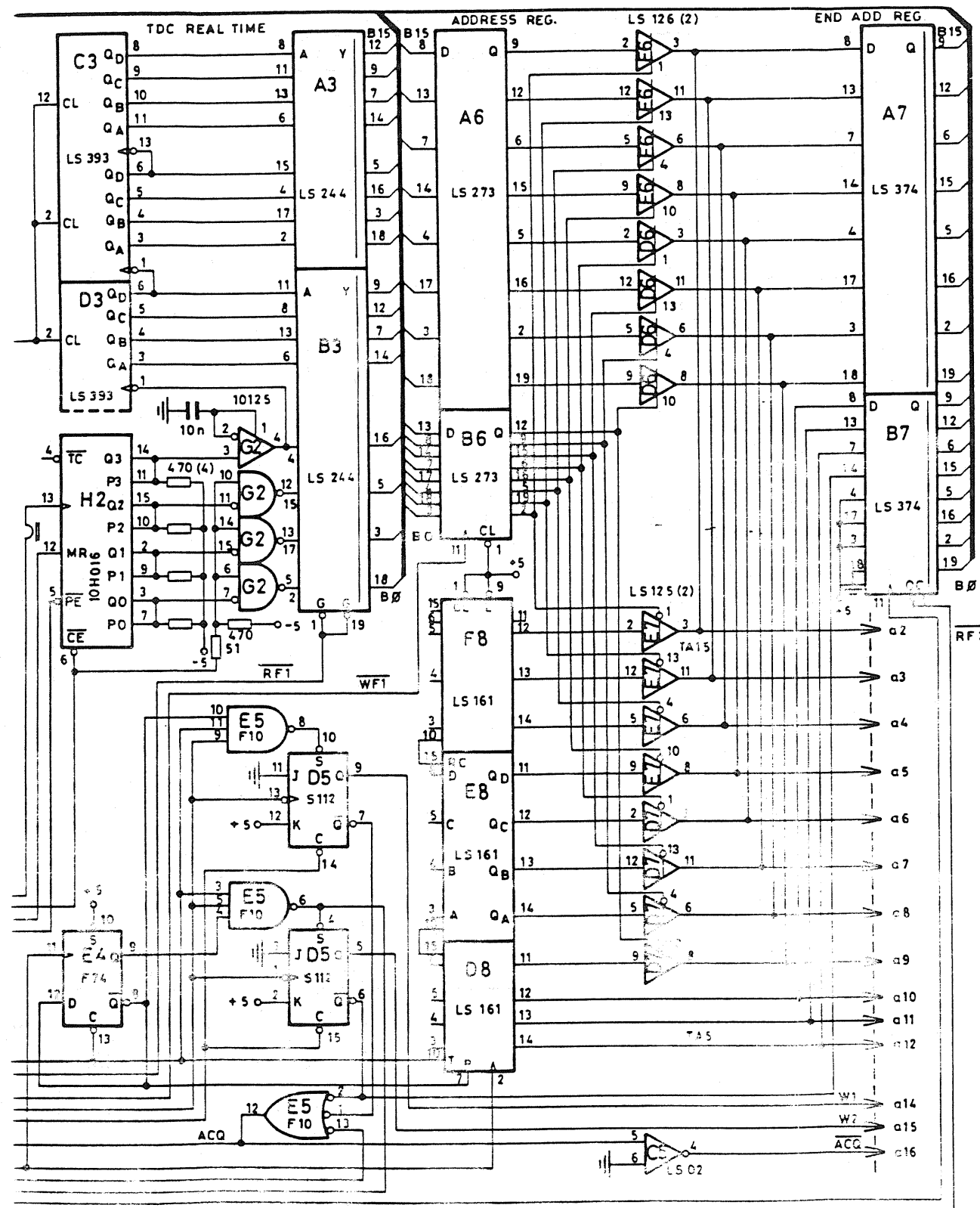
DRAWING NUMBER: 9400-5-S1
SHEET 2 OF 2
DATE 24-9-85
ECD NO 1001

LeCroy part n°	IC	Designation	+5	GND -15
207 340 508	DG 508 ACT	C,D,E	13	14 3
205 610 764	74T164	F,G,H,I	14	7
200 041 062	74LS138	A	16	8
208 071 051	74LS02	B	14	7









Le Croy part	IC	Designation	-15	-12	-5	GND	+5	+12	+15
200 031 028	74LS00	C4				7	14		
200 031 051	74LS02	C5				7	14		
200 031 086	74LS 08	C6				7	14		
200 330 010	74F 10 PC	E5				7	14		
200 031 072	74LS21	D1				7	14		
200 340 074	74F 74 PC	E2,E3,E4				7	14		
200 041 008	74S 112	D5				8	16		
200 031 089	74LS125	C7,D7,E7				7	14		
200 330 126	74LS126	D6,E6				7	14		
200 041 062	74LS138	C8				8	16		
200 081 007	74LS151	F6				8	16		
200 041 054	74LS153	F7				8	16		
200 041 027	74LS157	D2				8	16		
200 041 073	74LS160	F1,F2,F3,F4,F5				8	16		
200 041 026	74LS161	D8,E8,F8				8	16		
200 041 042	74LS191	A1,A2,B1,B2,C1 C2				8	16		
200 071 007	74LS244	A3,B3				10	20		
200 071 245	74LS245	A8,B8				10	20		
200 071 005	74LS273	A5,A6,B5,B6				10	20		
200 071 373	74LS373	A4,B4				10	20		
200 071 003	74LS374	A7,B7				10	20		
200 031 101	74LS393	C3,D3,D4				7	14		
200 444 016	MCH016	H2,H3,H4,H7,H6			8	1,16			
204 042 016	F10101P	I3			8	1,16			
204 042 004	MC10H05P	F5			8	1,16			
200 344 105	MC10H105P	H5,K1			8	1,16			
207 444 116	MC10H116P	J2,J4,K8			8	1,16			
204 042 011	MC10L116P	H9,K7			8	1,16			
204 042 007	MC10L124P	G1,G6,G7			8	16	9		
204 042 018	MC10L128P	G2,G3,G4,G5			8	16	9		
200 344 131	MC10H131P	I2,K2,K3,K4,K6			8	1,16			
225 076 407	MC1407	L4			11	1,16	2		
208 011 003	LM301AN	L5				4		7	
208 011 003	LM301AN	L6				7			
208 021 001	SG4501C	L7	8	11		1		4	7

NOTICE: THIS DESIGN IS THE SOLE PROPERTY OF LeCroy RESEARCH SYSTEMS. IT CONTAINS PROPRIETARY INFORMATION AND IS FURNISHED WITH THE UNDERSTANDING THAT IT IS NOT TO BE USED, DISCLOSED OR REPRODUCED IN ANY MANNER WITHOUT THE APPROVAL OF LeCroy RESEARCH SYSTEMS.

LeCroy RESEARCH SYSTEMS			
DRAWN M.A. Drenth	MODEL 9400-4		
CHECKED J.P. VITTE	TIME BASE		
DATE 4-2-85	SCHEMATIC		
DRAWING NUMBER: 9400-4-S1	SHEET 7 OF 7	ECO 1011	DATE 19-04-88