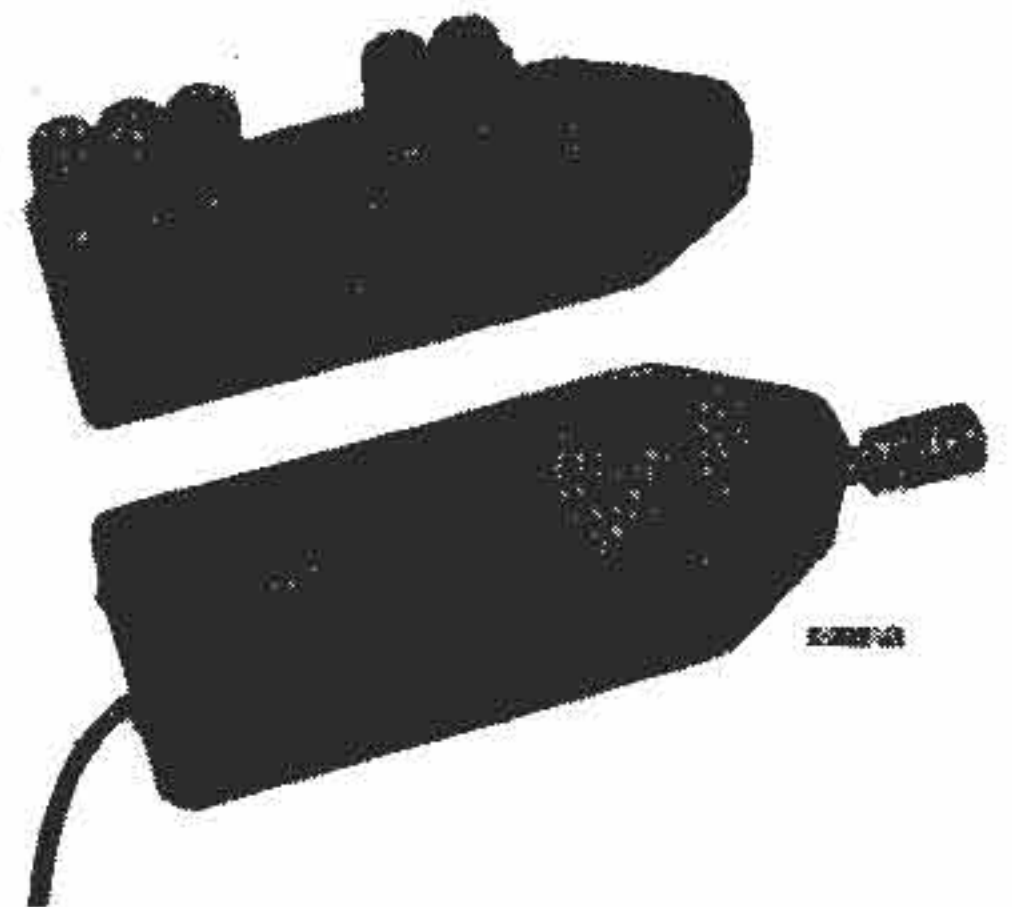


PHILIPS

Service

PIT-EMA

GM 3121/01



1962

A. GENERAL

A1. PURPOSE

The GM 3121 is designed for :

- supplying a modulated or unmodulated R.F. signal with a frequency range of 2.5 Mc/s - 260 Mc/s.
- determining the resonance frequencies of arbitrary tuned circuits in the above frequency range.
- determining the frequencies of applied R.F. energies in the above frequency range.

A2. FIGURES

- Fig. 1 Circuit diagram
- Fig. 2 Underneath view
- Fig. 3 Side view

A3. TECHNICAL SPECIFICATION

N.B. Whenever numerical values of properties mentioned in the following are given with a tolerance they are guaranteed by us. Numerical values without tolerance serve as a guide and indicate the properties of an average apparatus.

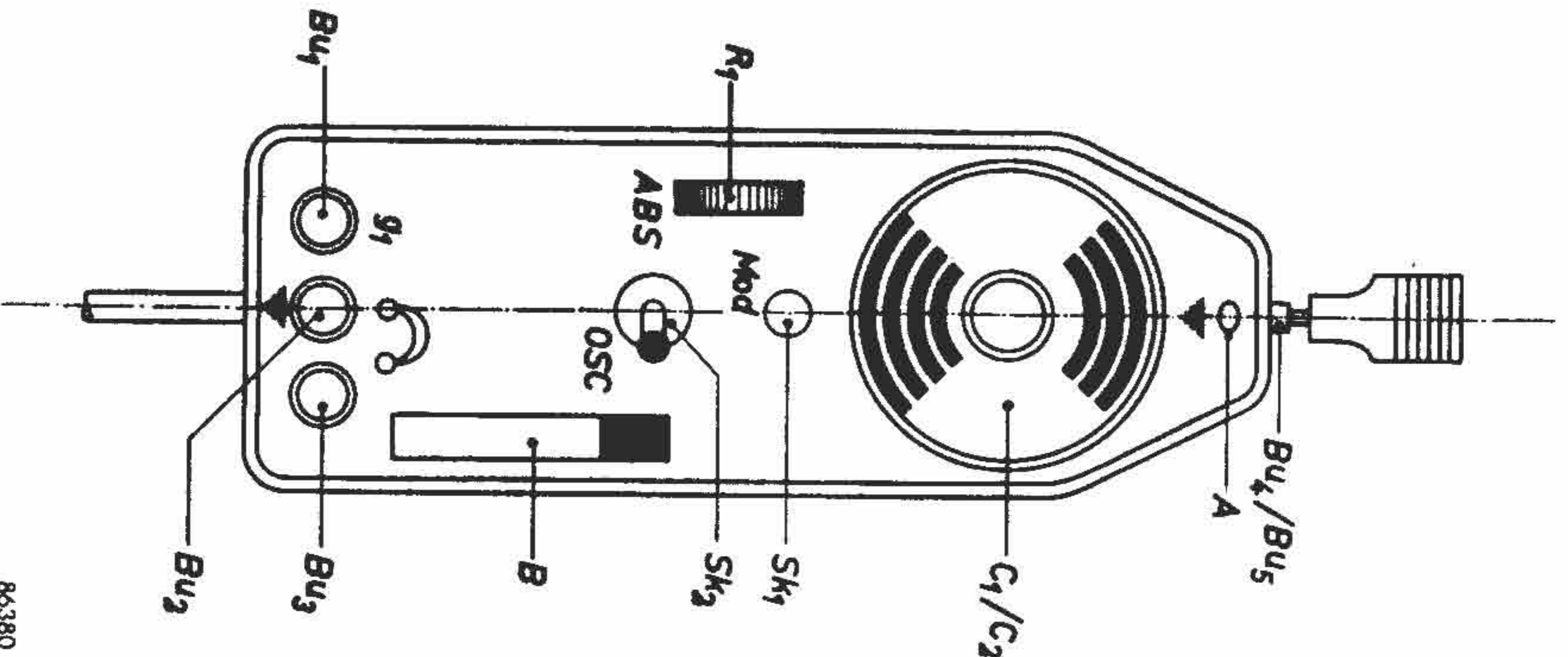
1. Frequency range

The frequency range of 2.5 Mc/s - 260 Mc/s is subdivided into 7 frequency bands by means of 7 interchangeable coils. Continuous adjustment is possible in each band by means of C1-C2.

band 1 :	2,5 - 5	Mc/s	band 5 :	34 - 67	Mc/s
band 2 :	5 - 9,5	Mc/s	band 6 :	67 - 130	Mc/s
band 3 :	9,5 - 18	Mc/s	band 7 :	130 - 260	Mc/s
band 4 :	18 - 34	Mc/s			

SERVICE
INFORMATION

GM 3121



86380

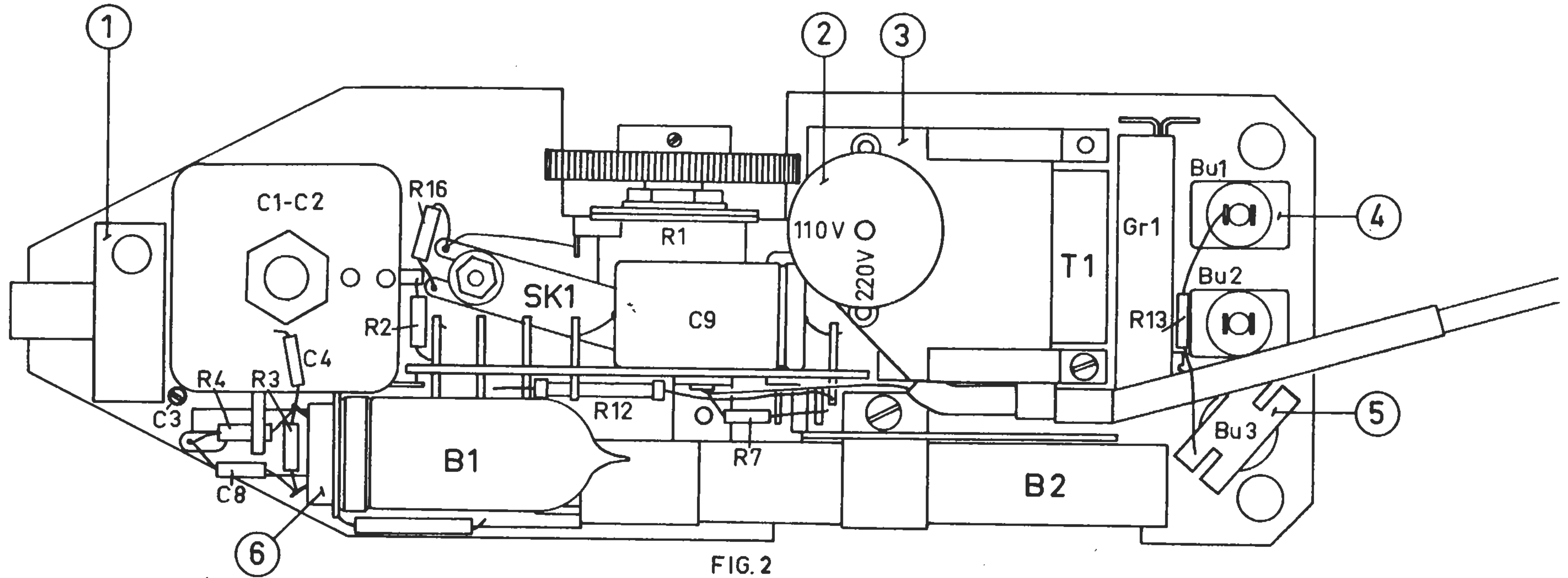


FIG. 2

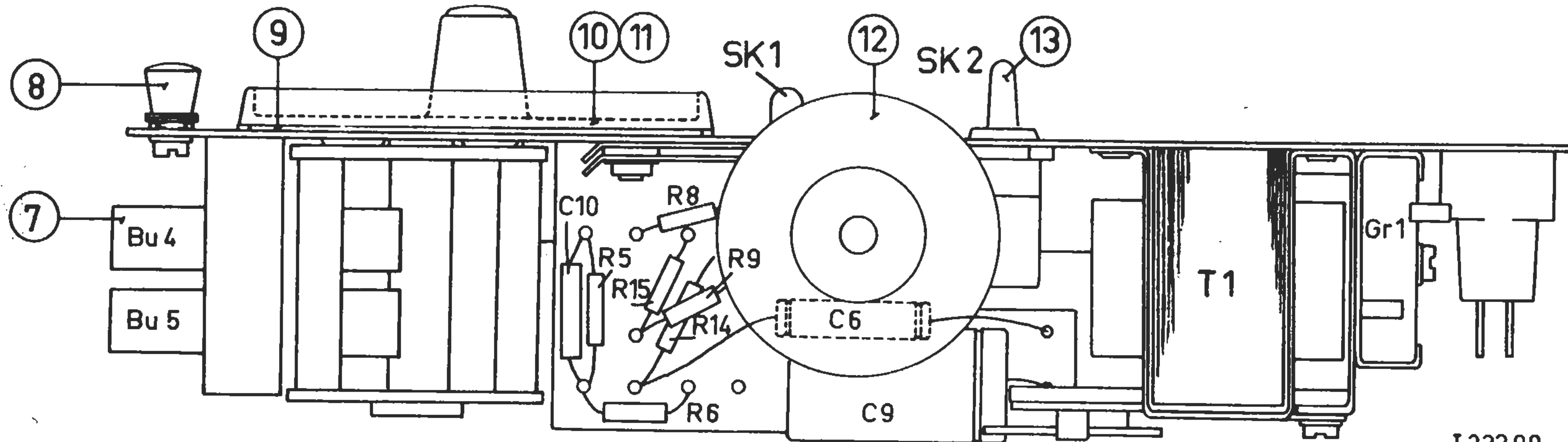
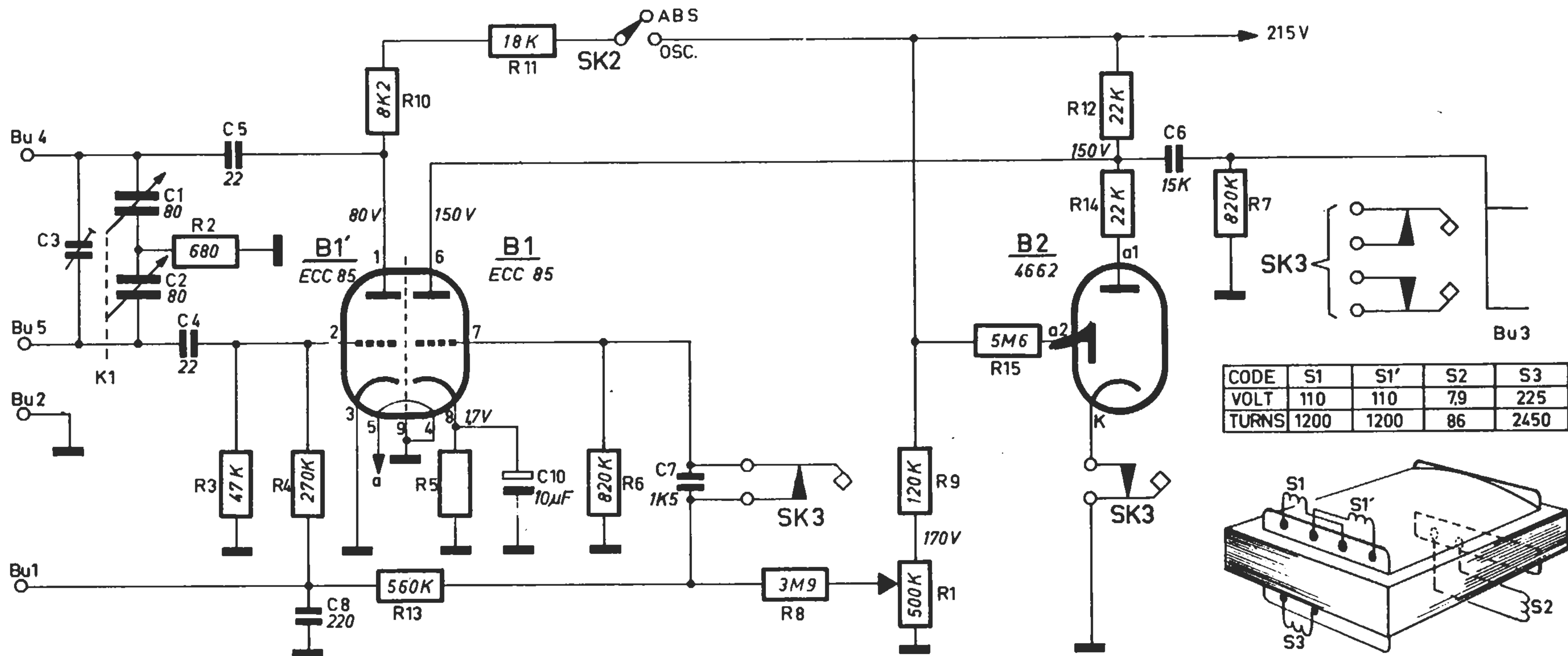


FIG. 3

I 23399



CODE	S1	S1'	S2	S3
VOLT	110	110	7.9	225
TURNS	1200	1200	86	2450

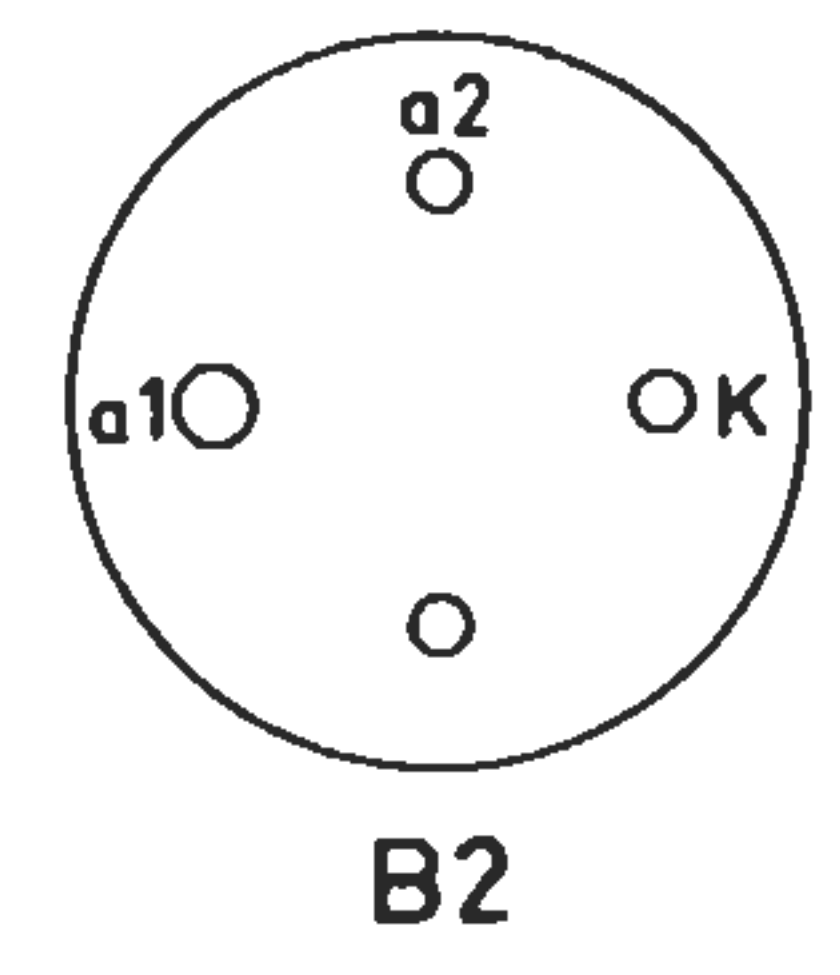
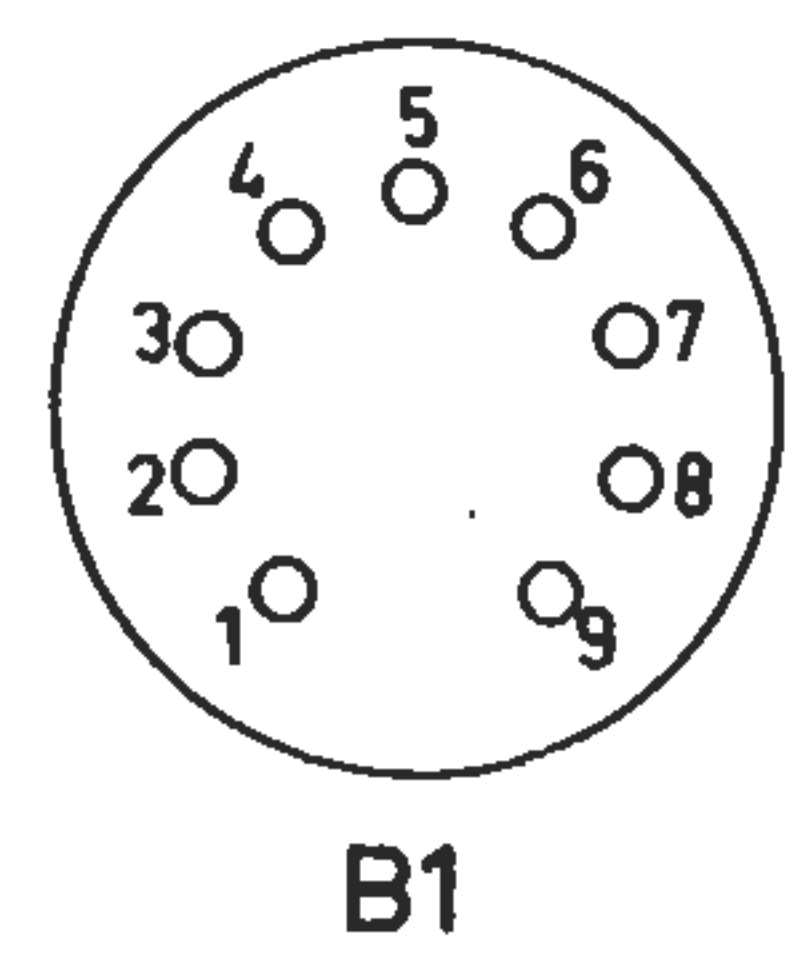
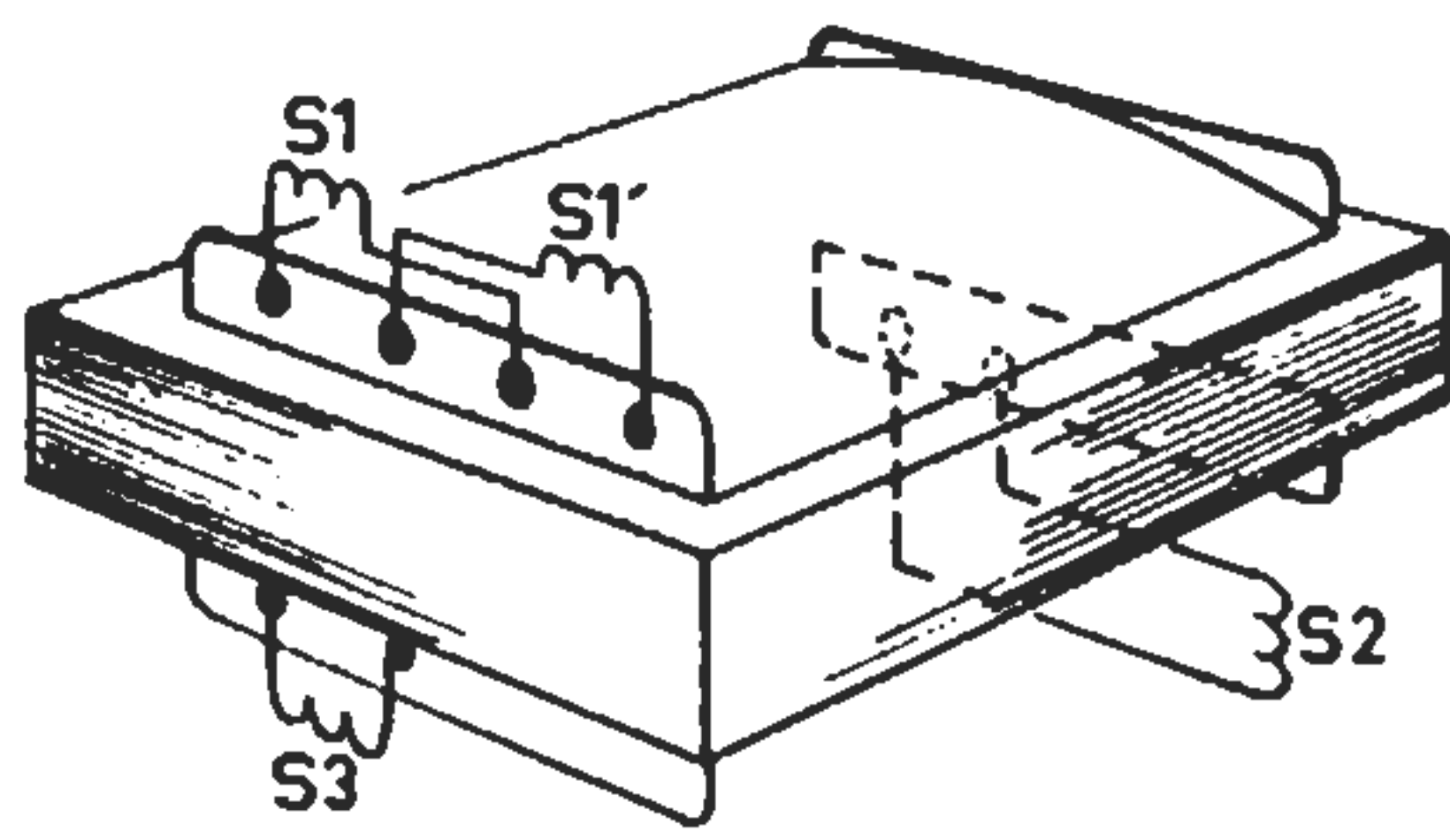


FIG.1

