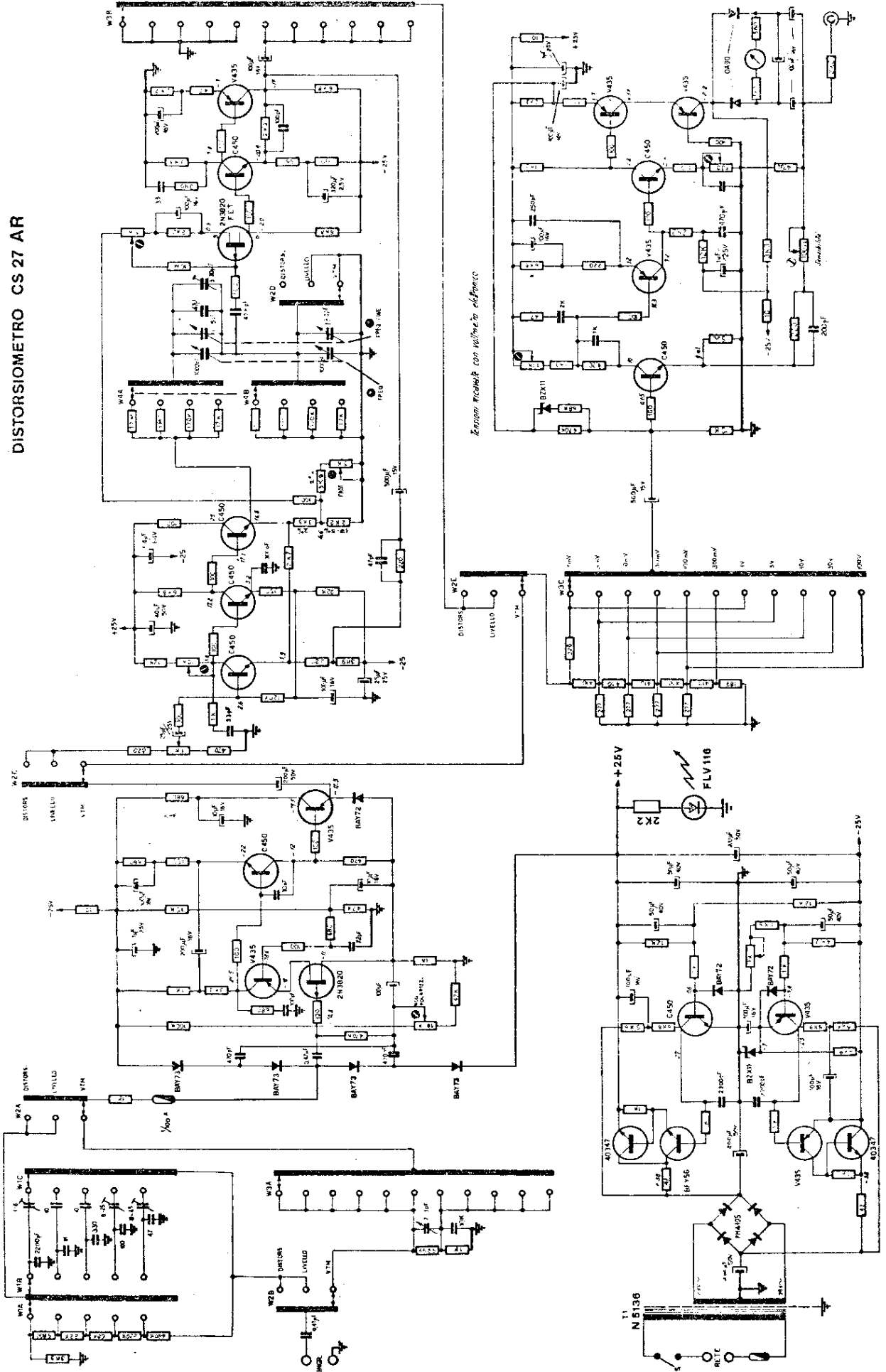
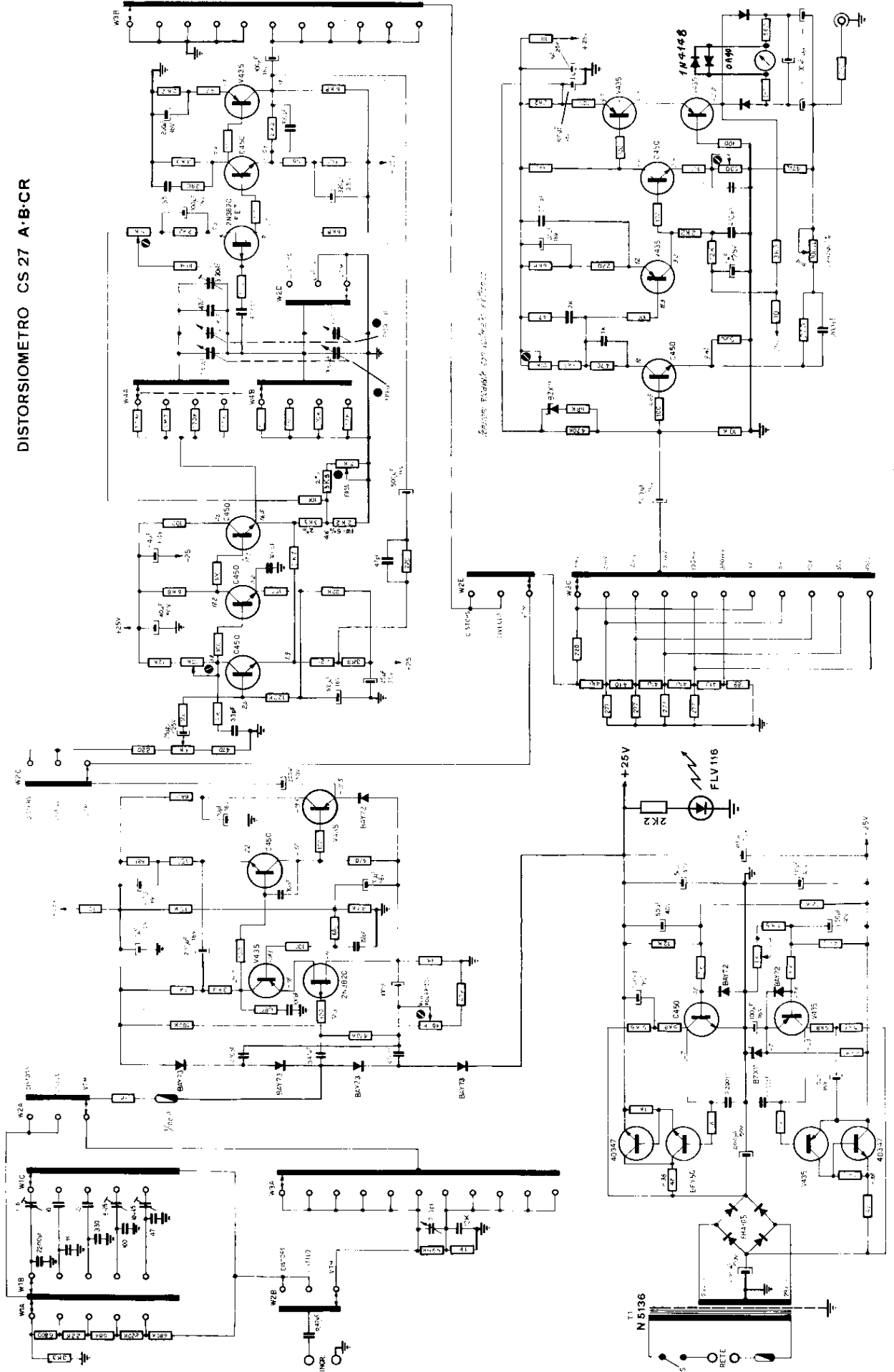


# DISTORSIOMETRO CS 27 AR

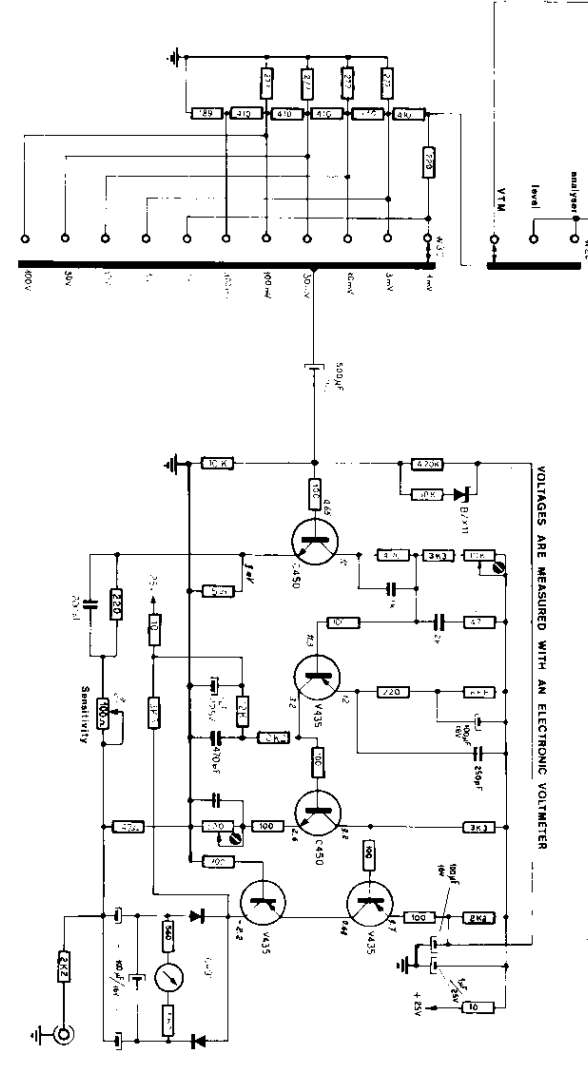
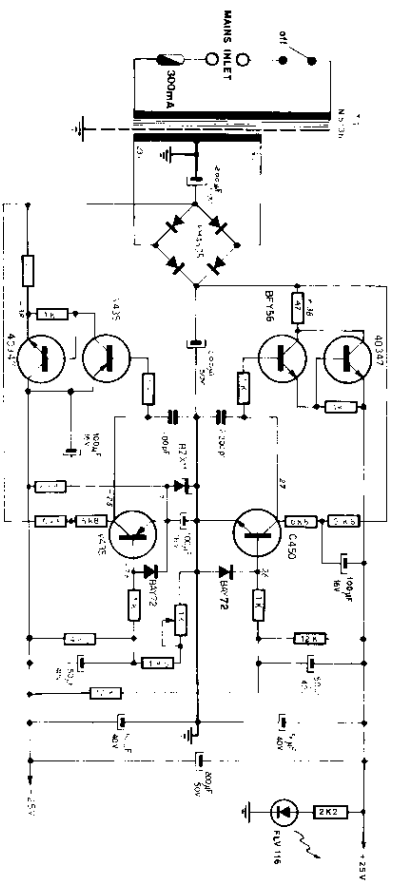
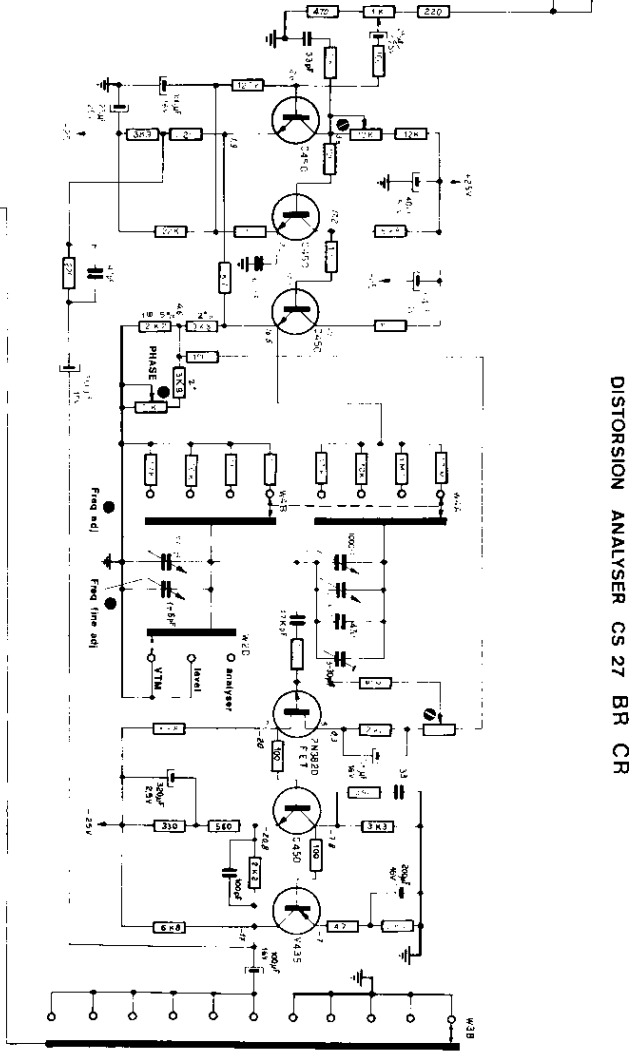
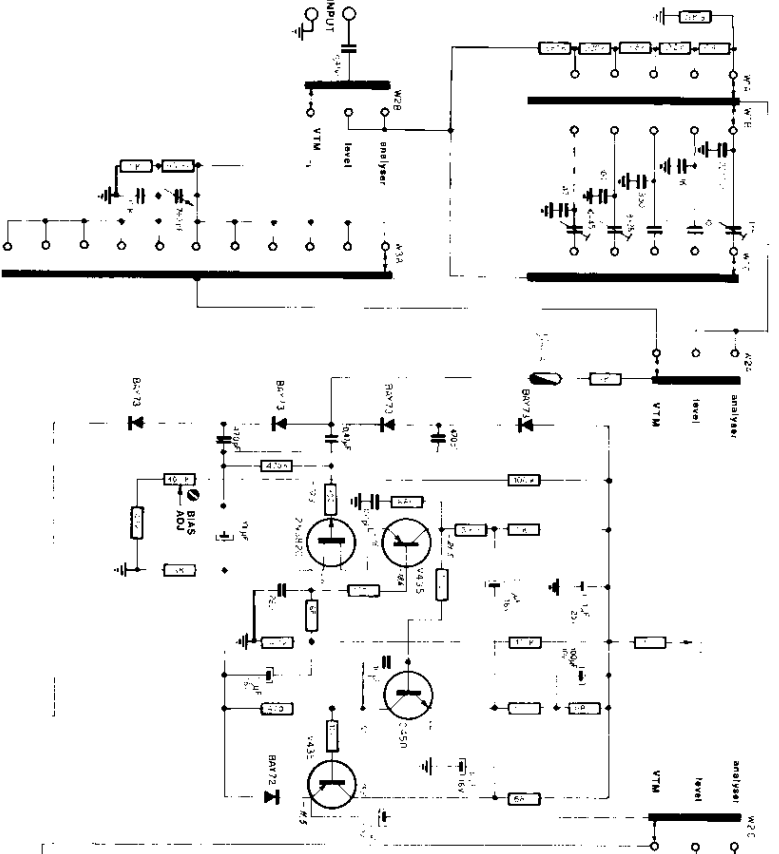


Tramite microsp con volume a distanza

# DISTORSIOMETRO CS 27 A-B-CR



DISTORION ANALYSER CS 27 BR CR

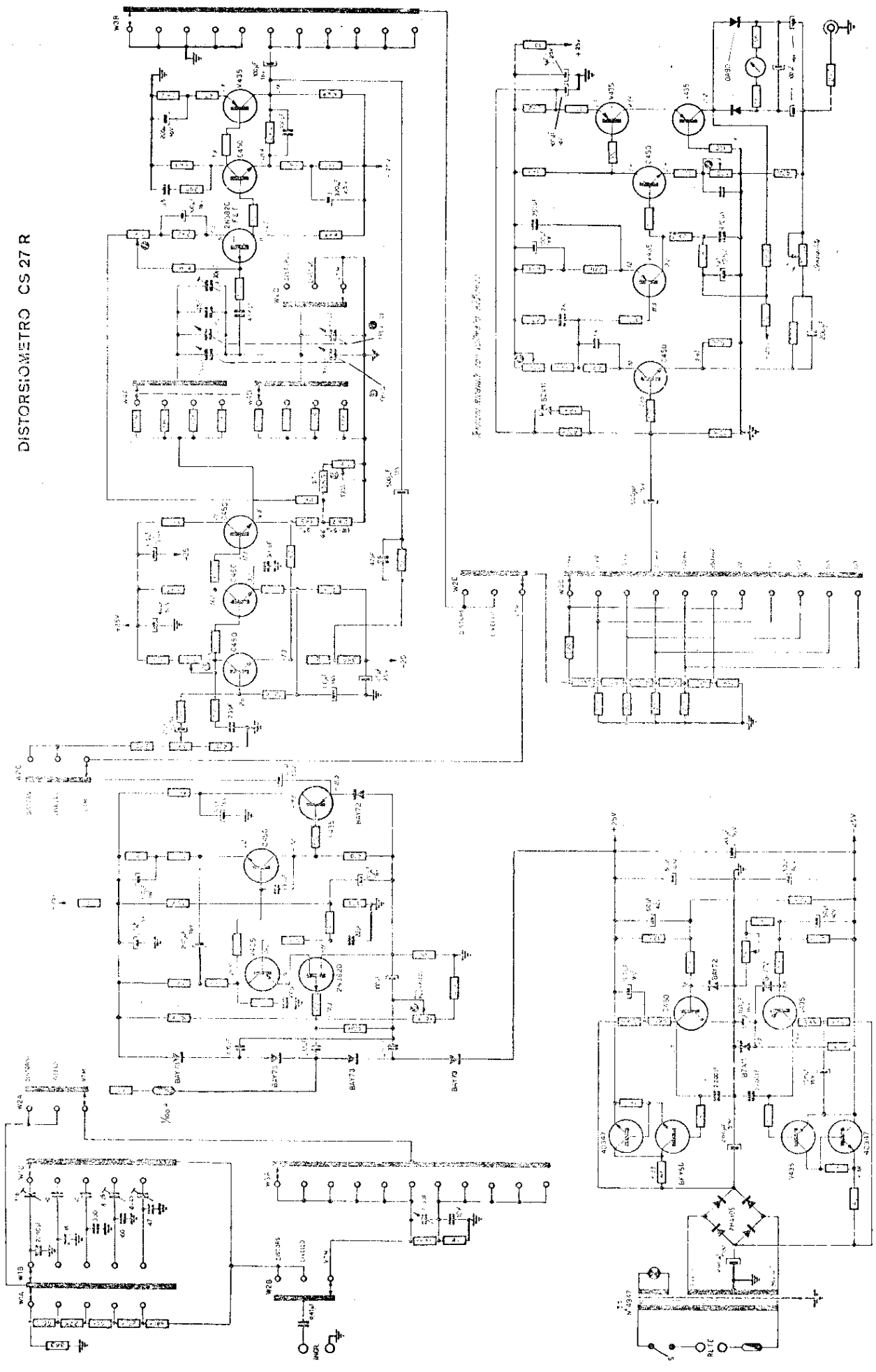


VOLTAGES ARE MEASURED WITH AN ELECTRONIC VOLTMETER

Sensitivity



# DISTORSIONMETRO CS 27 R



# DISTORTION ANALYZER CS 27 D

