

FEATURES

- Replaces the D122 controller.
- Three modes of operation to be selected with key switch.
 - 1) Standard shutter operation (STD) exposure determined by external pulse source or switch contact closure.
 - 2) Line interrupt (A) with power loss; unit powers down.
When power is restored, unit must be manually or remotely reset to resume standard operation.
 - 3) DC interrupt (B) detects break in external switch contact. When continuity is restored, unit must be manually or remotely reset to resume standard operation.
- Normally open or normally closed shutter operation.
- Exposure determined by external pulse (BNC, TTL) or switch contact closure.
- Pulsed on/pulsed off exposure control (BNC, TTL) from external trigger pulse or remote actuate cable.
- Reset from external pulse (BNC, TTL), front panel reset pushbutton switch or remote actuate cable.
- All BNC inputs can be controlled from a rising or falling edge.
- All inputs and AUX output controllable via RS-232 interface.
- Logic state of AUX output controlled via commands from the RS-232C input.
- RS-232 interface addressable via 8 selectable addresses.
- Up to 8 units can be controlled independently from one computer serial port.
- LOCAL/REMOTE switch allows manual operation of the shutter without requiring removal of external input signals.
- Exposure pulse output BNC, TTL.
- Electronic synchronization output BNC, TTL.
- Selectable pulse energy for operation of the VS35, VS45, and cs45 shutter types.
- 710C shutter interconnect cable included. (7-pin female to 7-pin male. 10 ft.)
- Black aluminum enclosure.
- Operates on both 115AC and 230 AC voltages, manual switching as required.
- Power input 115/230 VAC three prong plug.
- Size (HWD) 2.6 x 5.5 x 8.00 in. (6.60x13.9x20.3 cm)
- Weight 4.0 lbs (1.81kg).

For externally timed control, the VMM-D1 is ideal. In addition to shutter control from the BNC inputs, these inputs can also be controlled via a computer serial ports (RS-232C). By selecting the proper address for each unit, a number of devices can be controlled from one serial port. Eight individual addressed are available.

With key selection, the VMM-D1 can be operated in any one of three modes, outlined below, depending on the application. In addition, it can be used for normally closed and normally open shutter configurations. Exposure control can be activated by external pulse or remote actuate cable. Reset can be accomplished by external pulse, front panel reset switch or remote actuate cable.

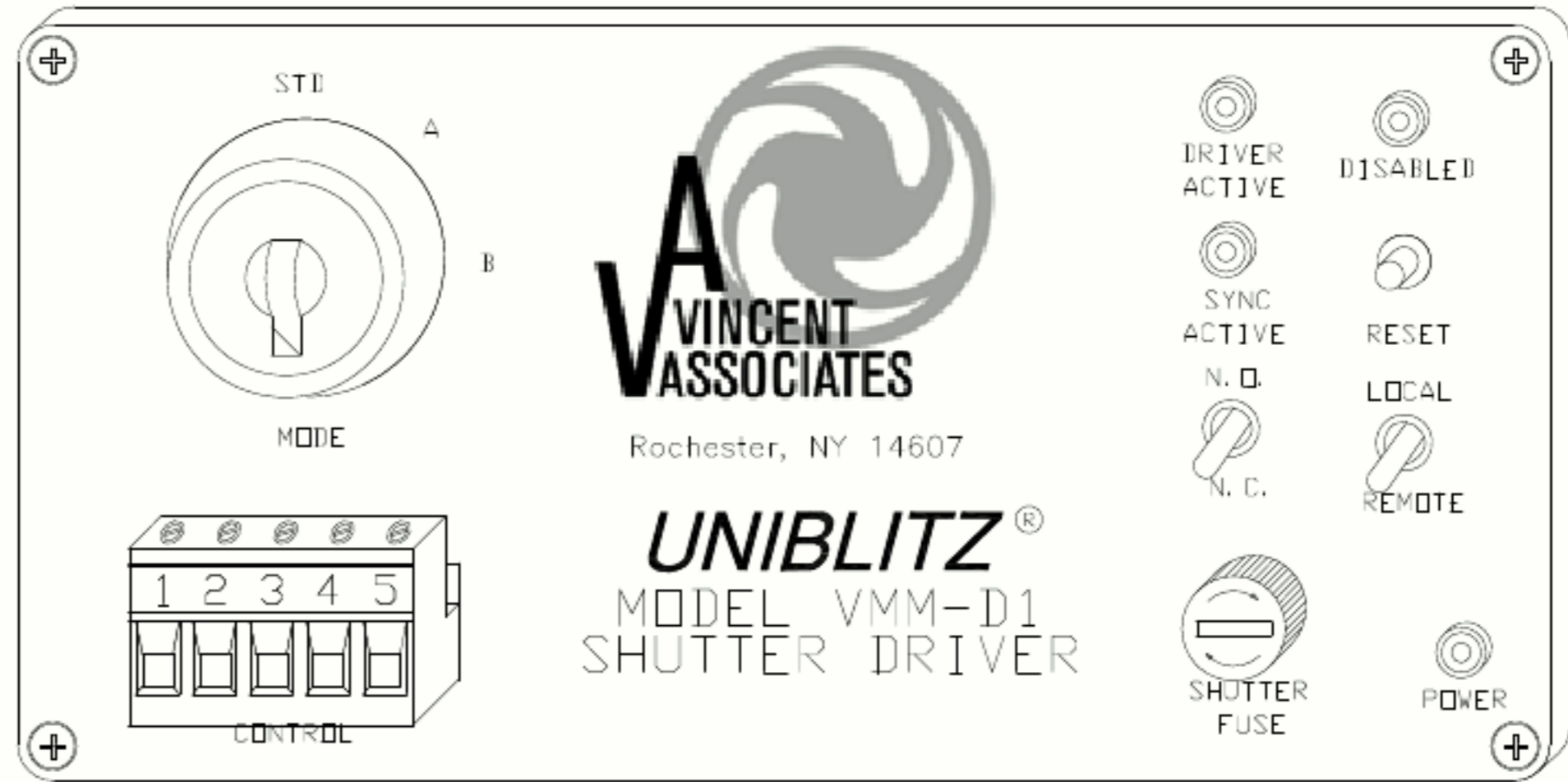
OPTIONS

- 710R-(BNC male to hand held pushbutton switch.) For remote manual operation of the VMM-D1, this 10' remote activate cable is available.

The 710R connects to any VMM-D1 input BNC connector. Upon depression of the hand held switch, the selected input BNC function will be activated. (A foot activated switch can be substituted for the hand held type; please order 710R/F.)
- 910RS-(9-pin D-sub female to 9-pin D-sub male.) For connecting a single VMM unit to a computer's serial port, this 10' interconnect cable is available. The 910RS connects the RS-232 computer serial port to the RS-232C input of the VMM-D1.
- 910RSDC-(9-pin D-sub female to 9-pin D-sub male/module.) For connecting multiple VMM units to one computer's serial port, this 10' interconnect cable is available. This cable effectively connects a number of VMM RS-232 ports to one RS-232 computer serial port, creating a "daisy chain". One cable is required for each unit desired within the chain.
- LVD96-(“LVDS” Drive/Receiver Adapter). For applications requiring an interface between LVDS (Low Voltage Differential Signaling) and TTL (Transistor Transistor Logic) signal levels.

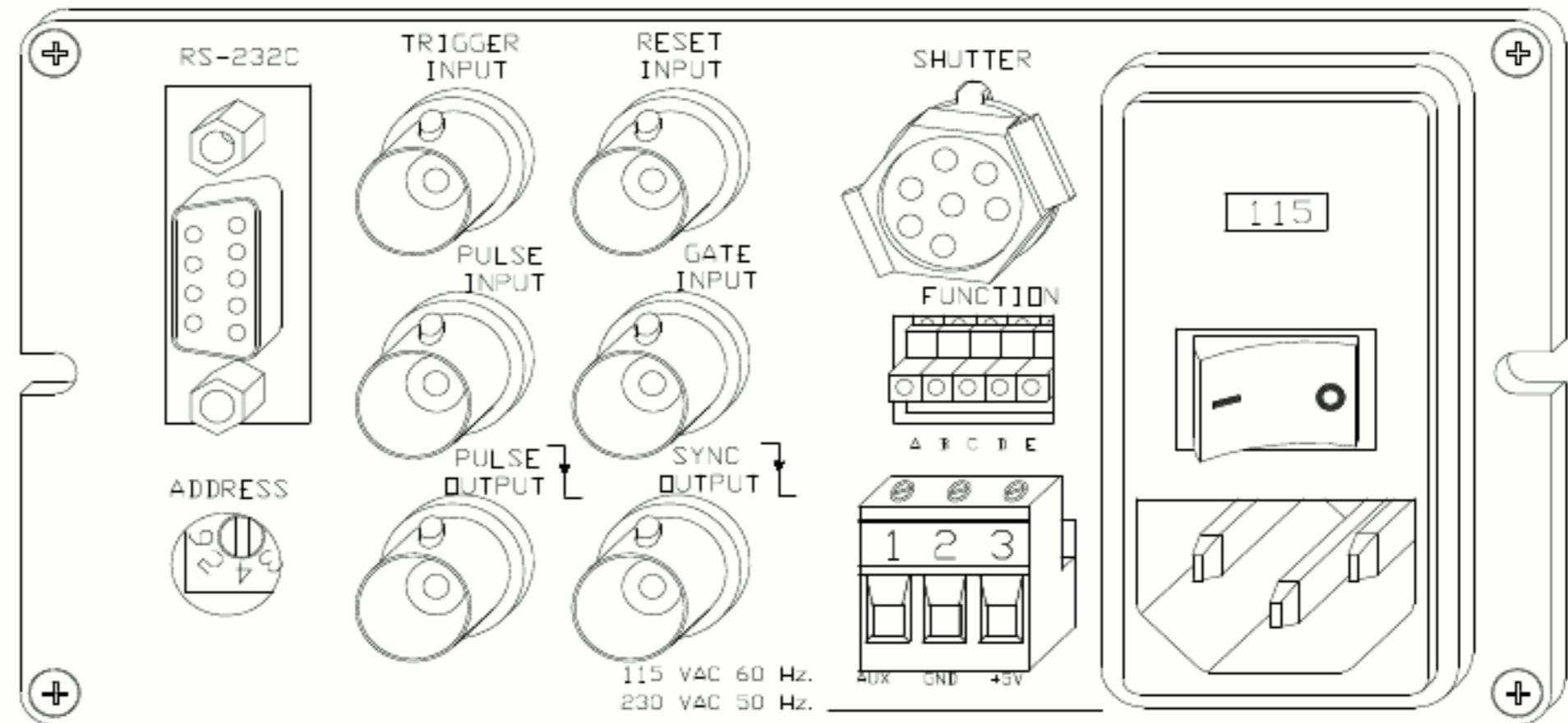
VMM-D1 FRONT PANEL

Simple and straightforward controls allow the VMM-D1 to be easy to use and configure. LED indicators reveal shutter status at a glance, while the key switch will set the unit to a specific interrupt mode not allowing an inadvertent change in setting once the key is removed. Additional interrupt functions including exposure control are available at the CONTROL input.



VMM-D1 REAR PANEL

All main input/output functions can be accessed at the VMM-D1 rear panel, including the 115/230VAC input. Manual selectable. Additionally, BNC connectors allow for quick termination of TTL command signals. Function switch A-D determine the active state of each of the BNC input, (high or low level active). Function switch E selects HIGH/LOW energy status. Addressable RS-232 control is also available via the DB-9 connector. The unit's specific address is selected via the ADDRESS rotary octal switch.



*Discontinued
Replaced with the VCM-D1*

Due to our ongoing product development program, Vincent Associates reserves the right to discontinue or change specifications or designs at any time, without incurring any obligations. Teflon is a registered trademark of E.I. DuPont . U.S. Pat. No. 3,427,576; 3,595,553; 3,967,293; 6,652,165. Drawing shown for illustrative purposes only. Updated 03/2008.