

---

# Indigo<sup>2</sup><sup>™</sup> and Indigo<sup>2</sup> IMPACT<sup>™</sup> SCSI Terminator Information and Cable Adapter for a Parallel Printer Installation Instructions for Indigo<sup>2</sup> and Indigo<sup>2</sup> IMPACT R10000 Workstations

This flier provides information the SCSI terminator for all Indigo<sup>2</sup> and Indigo<sup>2</sup> IMPACT workstations, and about installing a cable adapter for all Indigo<sup>2</sup> and Indigo<sup>2</sup> IMPACT R10000 workstations.

## **SCSI Terminator Information for All Indigo<sup>2</sup> and Indigo<sup>2</sup> IMPACT Workstations**

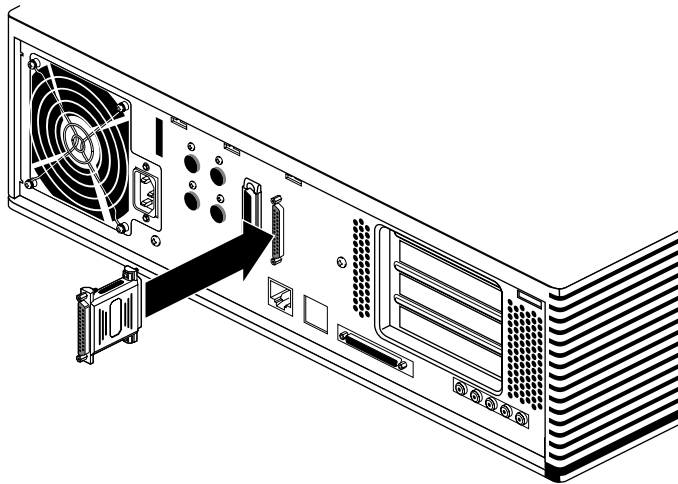
Attaching a terminator to the SCSI port of Indigo<sup>2</sup> and Indigo<sup>2</sup> IMPACT workstations is not necessary. The *Indigo<sup>2</sup> Workstation Owner's Guide* and *Indigo<sup>2</sup> IMPACT Workstation Owner's Guide* instructs you to insert a SCSI terminator in the SCSI port of the workstation. Use a terminator only on the SCSI device attached to the workstation or on the last device in a series of devices daisy-chained to the workstation.

## **Cable Adapter Installation Instructions for a Parallel Printer - Indigo<sup>2</sup> and Indigo<sup>2</sup> IMPACT R10000 Workstations Only**

Follow these instructions to install the cable adapter. The cable adapter allows certain printers to work properly with the Indigo<sup>2</sup> and Indigo<sup>2</sup> IMPACT R10000 workstations.

**Note:** The cable adapter is needed only for Indigo<sup>2</sup> or Indigo<sup>2</sup> IMPACT R10000 workstations.

- 
1. See your *Indigo<sup>2</sup> Workstation Owner's Guide* or *Indigo<sup>2</sup> IMPACT Workstation Owner's Guide* for instructions on powering off your workstation.
  2. Power off any printer attached to the parallel port on the workstation.
  3. Face the rear of the workstation.
  4. Detach the printer cable attached to the parallel port on the workstation.



**Figure 1** Attaching the Cable Adapter

5. Attach the cable adapter that came with this shipment to the parallel port.
6. Attach and tighten the screws on the cable adapter to the workstation.
7. Attach the printer cable to the cable adapter.
8. Power on the printer.
9. Power on the workstation.

You have finished installing the cable adapter.

©1997, Silicon Graphics, Inc. All rights reserved.  
Silicon Graphics and the Silicon Graphics logo are registered trademarks of Silicon Graphics, Inc. and Indigo<sup>2</sup>,  
Indigo<sup>2</sup> IMPACT are trademarks of Silicon Graphics, Inc.