

# IRIX<sup>®</sup> TMF User's Guide

007-3969-004

Version 1.3

© 1988–2000 Silicon Graphics, Inc. All rights reserved; provided portions may be copyright in third parties, as indicated elsewhere herein. No permission is granted to copy, distribute, or create derivative works from the contents of this electronic documentation in any manner, in whole or in part, without the prior written permission of Silicon Graphics, Inc.

#### LIMITED RIGHTS LEGEND

The electronic (software) version of this document was developed at private expense; if acquired under an agreement with the USA government or any contractor thereto, it is acquired as "commercial computer software" subject to the provisions of its applicable license agreement, as specified in (a) 48 CFR 12.212 of the FAR; or, if acquired for Department of Defense units, (b) 48 CFR 227-7202 of the DoD FAR Supplement; or sections succeeding thereto. Contractor/manufacturer is Silicon Graphics, Inc., 1600 Amphitheatre Pkwy 2E, Mountain View, CA 94043-1351.

Silicon Graphics, Challenge, and IRIX are registered trademarks and OpenVault, Origin, SGI, and the SGI logo are trademarks of Silicon Graphics, Inc. DLT is a trademark of Quantum Corporation. EMASS is a trademark of EMASS, Inc. IBM is a trademark of International Business Machines Corporation. STK and StorageTek are trademarks of Storage Technology Corporation. UNICOS is a trademark of Cray, Inc. UNIX is a registered trademark in the United States and other countries, licensed exclusively through X/Open Company Limited. Viper is a trademark of Archive Technology, Inc.

---

## **New Features in This Guide**

This guide contains information, including the TM482 message, in support of the new job limits feature. Miscellaneous technical and editing changes were also made.



---

## Record of Revision

Version	Description
1.0	December 1998 Original printing to support the Tape Management Facility (TMF) release 1.0, for SGI 64-bit systems running on the IRIX 6.4.1 or IRIX 6.5.2m operating system.
1.1	July 1999 Incorporates information in support of the TMF release 1.1 for the 64-bit SGI Challenge XL, SGI Challenge L, SGI Origin 200, and SGI Origin 2000 systems running the IRIX 6.4.1, IRIX 6.5.2m, or later operating system and for the 32-bit SGI Challenge S system running the IRIX 6.5.2m or later operating system.
003	November 1999 Incorporates information in support of the TMF release 1.2 for the 64-bit SGI Challenge XL, SGI Challenge L, SGI Origin 200, and SGI Origin 2000 systems running the IRIX 6.4.1, IRIX 6.5.2m, or later operating system and for the 32-bit SGI Challenge S system running the IRIX 6.5.2m or later operating system. Requires OpenVault release 1.4. The version entry on the Record of Revision page has been changed from the product revision number to the document revision number (the last three digits of the part number).
004	August 2000 Incorporates information in support of the TMF release 1.3 for the 64-bit SGI Challenge XL, SGI Challenge L, SGI Origin 200, and SGI Origin 2000 systems running the IRIX 6.5.2m or later operating system and for the 32-bit SGI Challenge S system running the IRIX 6.5.2m or later operating system. Requires OpenVault release 1.4.



---

# Contents

<b>About This Guide</b>	<b>xix</b>
Related Publications	xix
TMF Man Pages	xix
Obtaining Publications	xix
Conventions	xix
Reader Comments	xx
<b>1. Introduction</b>	<b>1</b>
Software Overview	1
Architecture	2
Communications	3
Functionality	5
Tape Label Support	6
Resource Management	6
Volume Mounting and Unmounting	6
Tape Positioning	6
Front-End Servicing	7
User End-of-Volume Processing	7
Multifile Volume Allocation	7
Concatenated Tape Files	7
Tape Message Log File	7
Terminology	8
<b>2. Tape Formats</b>	<b>11</b>
IBM Compatible Tape Format	11
<b>007-3969-004</b>	<b>vii</b>

Nonlabeled Tapes . . . . .	11
Two Filemark Tapes . . . . .	11
Single Filemark Tapes . . . . .	12
Labeled Tapes . . . . .	13
IBM Compatible Tape Format Summary . . . . .	14
Tape Label Fields . . . . .	16
VOL1 Label . . . . .	17
HDR1, EOVS1, and EOF1 Labels . . . . .	19
HDR2, EOVS2, and EOF2 Labels . . . . .	22
<b>3. TMF Tutorial . . . . .</b>	<b>25</b>
Working with TMF and UNICOS Tape Subsystem Differences . . . . .	25
Command Name Differences . . . . .	25
Usage Differences . . . . .	27
Logging Off and Unloading Tapes . . . . .	27
Specifying Block Size with tmmnt . . . . .	27
Using Tapes . . . . .	27
Basic Usage Examples . . . . .	28
OpenVault Usage . . . . .	29
Obtaining Tape Status . . . . .	30
Tape Status Commands . . . . .	30
Tape Log File . . . . .	32
Messages to Operator . . . . .	33
Using Standard IRIX Commands . . . . .	33
<b>4. Writing C Applications Using Tapes . . . . .</b>	<b>39</b>
Using FFIO . . . . .	39
Using System Calls: read and write . . . . .	42



---

Variable-block I/O . . . . .	42
Fixed-block I/O . . . . .	44
Status . . . . .	45
End-of-File Status . . . . .	45
End-of-Data Status . . . . .	46
Error Status . . . . .	46
Using System Calls: <code>ioctl</code> . . . . .	46
<code>tmfctl.h</code> <code>ioctl</code> Requests . . . . .	47
Status <code>ioctl</code> Requests . . . . .	47
TMF Daemon Request or Reply <code>ioctl</code> Requests . . . . .	47
Positioning Requests . . . . .	51
Rewind Positioning . . . . .	51
Block Positioning . . . . .	52
File Positioning . . . . .	54
Absolute Positioning . . . . .	57
Volume Index . . . . .	58
Volume Name . . . . .	60
User End-of-Volume Processing Requests . . . . .	62
Selection and Deselection . . . . .	62
Close Volume . . . . .	62
Write Filemark Requests . . . . .	67
Information Requests . . . . .	69
<code>mtio.h</code> <code>ioctl</code> Requests . . . . .	78
MTCAPABILITY . . . . .	79
MTIOCGETBLKINFO . . . . .	79
MTIOCGET . . . . .	80
MTIOCGETTEXT . . . . .	82
MTIOCGETTEXTL . . . . .	86

Contents

---

MTSCI_RDLOG . . . . .	86
MTSCISI_SENSE . . . . .	86
MTSCSIINQ . . . . .	87
MTSPECOP . . . . .	87
<b>Appendix A. Interpreting System Messages . . . . .</b>	<b>89</b>
<b>Appendix B. Man Pages . . . . .</b>	<b>133</b>
<b>Index . . . . .</b>	<b>135</b>

---

## Figures

<b>Figure 1-1</b>	TMF Architecture . . . . .	3
<b>Figure 1-2</b>	Communication between the User, TMF Driver, and TMF Daemon . . . . .	4
<b>Figure 2-1</b>	Nonlabeled, Two Filemark Formats . . . . .	12
<b>Figure 2-2</b>	Nonlabeled, Single Filemark Formats . . . . .	13
<b>Figure 2-3</b>	Labeled Tape Formats . . . . .	14
<b>Figure 2-4</b>	Single-Volume File . . . . .	15
<b>Figure 2-5</b>	Multifile, Single-Volume Tape . . . . .	15
<b>Figure 2-6</b>	Multivolume, Single-File Tape . . . . .	15
<b>Figure 2-7</b>	Multifile, Multivolume Tape . . . . .	16
<b>Figure 2-8</b>	VOL1 Label . . . . .	18
<b>Figure 2-9</b>	HDR1/EOV1/EOF1 Labels . . . . .	21
<b>Figure 2-10</b>	HDR2/EOV2/EOF2 Labels . . . . .	24
<b>Figure 3-1</b>	OpenVault tmmnt Terminology . . . . .	30



---

## Tables

<b>Table 1-1</b>	TMF Terminology . . . . .	8
<b>Table 2-1</b>	VOL1 Label Values . . . . .	17
<b>Table 2-2</b>	HDR1/EOV1/EOF1 Labels . . . . .	19
<b>Table 2-3</b>	HDR2/EOV2/EOF2 Labels . . . . .	22
<b>Table 3-1</b>	Command Name Suffix Changes . . . . .	26
<b>Table 3-2</b>	Other Name Differences . . . . .	26
<b>Table 4-1</b>	ioctl Definition Files . . . . .	47



---

## Examples

<b>Example 3-1</b>	Creating a Tape . . . . .	29
<b>Example 3-2</b>	Reading an Existing Tape File . . . . .	29
<b>Example 3-3</b>	Adding a New File to an Existing Tape . . . . .	29
<b>Example 3-4</b>	Reading an Existing OpenVault Tape File . . . . .	30
<b>Example 3-5</b>	tmrst Status Display . . . . .	31
<b>Example 3-6</b>	tmstat Status Display . . . . .	31
<b>Example 3-7</b>	tape.msg file . . . . .	32
<b>Example 4-1</b>	C Library Routine Usage . . . . .	40
<b>Example 4-2</b>	Executing cexam.c . . . . .	42
<b>Example 4-3</b>	Synchronous Rewind Request . . . . .	51
<b>Example 4-4</b>	Synchronous Block Positioning Request . . . . .	53
<b>Example 4-5</b>	Synchronous File Positioning Request . . . . .	55
<b>Example 4-6</b>	Synchronous Absolute Positioning Request . . . . .	57
<b>Example 4-7</b>	Synchronous Volume Positioning Request . . . . .	58
<b>Example 4-8</b>	Synchronous Volume Positioning Request (Volume Identifier) . . . . .	60
<b>Example 4-9</b>	EOV Selection and Deselection Request, and Close Request . . . . .	62
<b>Example 4-10</b>	Synchronous Write Filemark Request . . . . .	67
<b>Example 4-11</b>	Synchronous Information Request . . . . .	76





---

## Procedures

<b>Procedure 3-1</b>	Basic TMF Tape Usage . . . . .	28
<b>Procedure 3-2</b>	Using the <code>cp(1)</code> Command . . . . .	33
<b>Procedure 3-3</b>	Using the <code>dd(1m)</code> Command . . . . .	34
<b>Procedure 3-4</b>	Using the <code>tar(1)</code> Command . . . . .	34
<b>Procedure 3-5</b>	Using the <code>cpio(1)</code> Command . . . . .	36
<b>Procedure 3-6</b>	Using the <code>tmmnt(1)</code> Command . . . . .	36
<b>Procedure 4-1</b>	Writing to a Tape File . . . . .	42
<b>Procedure 4-2</b>	Reading a Tape File . . . . .	43
<b>Procedure 4-3</b>	Writing to a Tape File . . . . .	44
<b>Procedure 4-4</b>	Reading a Tape File . . . . .	45



---

## About This Guide

This guide documents how to use the Tape Management Facility (TMF) running the IRIX operating system. It provides information on using tape formats, performing basic tape procedures, and writing C tape applications.

### Related Publications

This guide is one of a set of manuals that describes TMF. The following manuals are also in the set:

- *IRIX TMF Administrator's Guide*
- *IRIX TMF Release and Installation Guide*

The following publication contains additional information that may be helpful:

- *Application Programmer's I/O Guide*

### TMF Man Pages

In addition to printed and online prose documentation, several online man pages describe aspects of TMF. For a list of TMF man pages and usage information, see Appendix B, page 133.

### Obtaining Publications

To obtain SGI documentation, go to the SGI Technical Publications Library at <http://techpubs.sgi.com>.

### Conventions

The following conventions are used throughout this document:

<b>Convention</b>	<b>Meaning</b>
<code>command</code>	This fixed-space font denotes literal items such as commands, files, routines, path names, signals, messages, and programming language structures.
<i>variable</i>	Italic typeface denotes variable entries and words or concepts being defined.
<b>user input</b>	This bold, fixed-space font denotes literal items that the user enters in interactive sessions. Output is shown in nonbold, fixed-space font.
[ ]	Brackets enclose optional portions of a command or directive line.
...	Ellipses indicate that a preceding element can be repeated.

## Reader Comments

If you have comments about the technical accuracy, content, or organization of this document, please tell us. Be sure to include the title and document number of the manual with your comments. (Online, the document number is located in the front matter of the manual. In printed manuals, the document number can be found on the back cover.)

You can contact us in any of the following ways:

- Send e-mail to the following address:  
`techpubs@sgi.com`
- Use the Feedback option on the Technical Publications Library World Wide Web page:  
`http://techpubs.sgi.com`
- Contact your customer service representative and ask that an incident be filed in the SGI incident tracking system.

- Send mail to the following address:

Technical Publications  
SGI  
1600 Amphitheatre Pkwy., M/S 535  
Mountain View, California 94043-1351

- Send a fax to the attention of "Technical Publications" at +1 650 932 0801.

We value your comments and will respond to them promptly.



## Introduction

This user's guide documents the characteristics and capabilities of the Tape Management Facility (TMF). It explains the ways in which you may work with TMF and provides many examples of commonly used commands.

The guide describes the following topics:

- Software overview and basic terminology
- Structure of tape formats
- Commands that access tapes by using TMF as well as the tape status and information commands
- Use of TMF from C programs
- TMF system messages
- TMF user man-page list

### 1.1 Software Overview

This section provides a brief software architecture overview, and it covers the following topics:

- Architecture
- Tape label support
- Resource management
- Volume mounting and unmounting
- Tape positioning
- Front-end servicing
- User end-of-volume processing
- Multifile volume allocation

- Concatenated tape files
- Tape message log file

For details of specific IRIX releases, hardware platform support, and tape device and library support, see the *IRIX TMF Release and Installation Guide*.

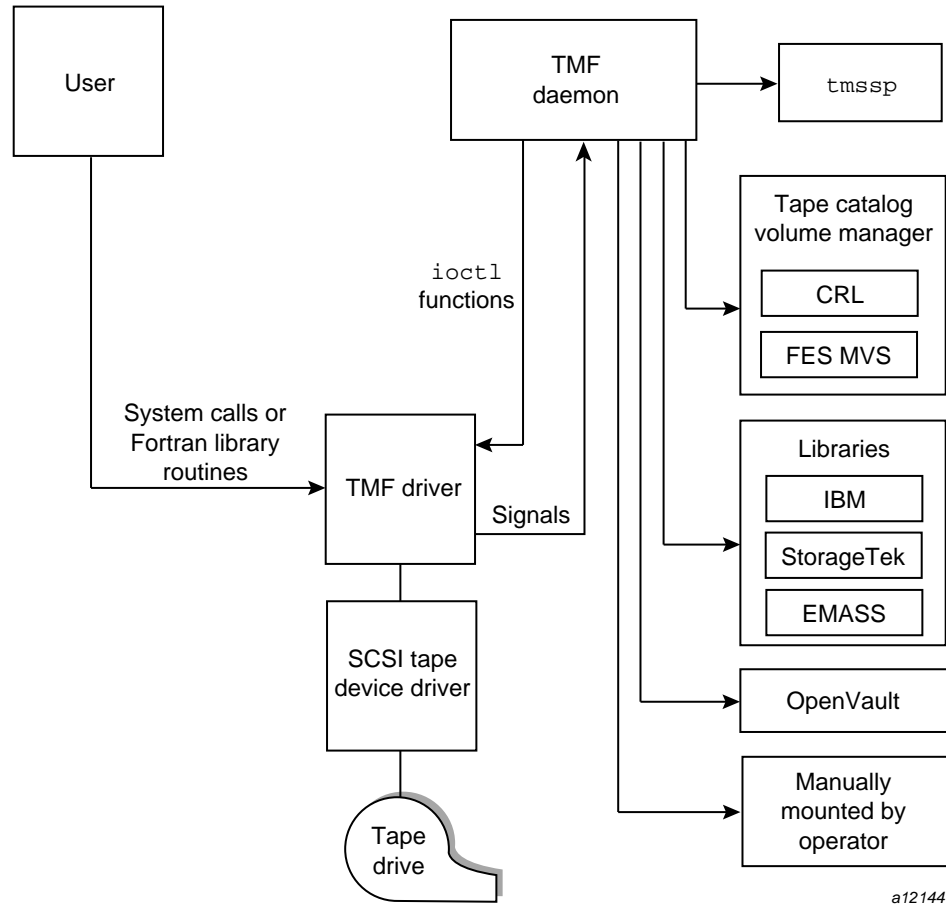
### 1.1.1 Architecture

TMF is an IRIX subsystem that supports processing of ANSI and IBM labeled tape, including multifile volumes and multivolume sets. These capabilities are most important to customers who run production tape operations where tape label recognition and tape security are requirements.

The basic elements of TMF are the TMF daemon and TMF tape device driver. TMF provides operating personnel with a means to view and manage the tape resources configured within TMF. It also is the backbone for the operation of the Data Migration Facility (DMF), and for the operation of the `xfsdump(1m)` and `xfsrestore(1m)` commands.

TMF is started by the system operator or the system administrator, or it is started automatically as part of the system startup. It can communicate directly with the TMF driver and the IRIX SCSI tape device driver to process your requests as shown in Figure 1-1, page 3.





a12144

**Figure 1-1** TMF Architecture

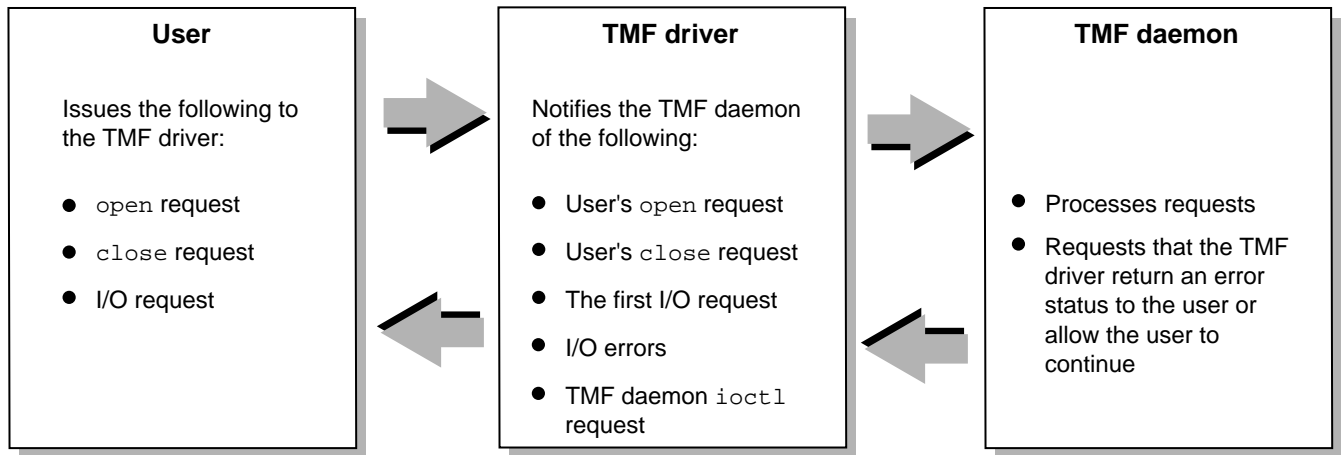
### 1.1.1.1 Communications

The TMF driver signals the TMF daemon if any of the following conditions occur:

- You issue an `open(2)` request to the tape path name.
- You issue a `close(2)` request to the tape path name.
- You issue the first I/O request to the tape path name.

- An I/O error occurs.
- A filemark is read.
- An end-of-tape is detected during a `write(2)` operation.
- An end-of-file is detected, requiring filemark processing.

If any of these conditions occur, your job is suspended until the TMF daemon finishes processing. At this point, the TMF daemon requests that the TMF driver either issue you an error message or allow you to continue. Figure 1-2 illustrates this process.



a11590

**Figure 1-2** Communication between the User, TMF Driver, and TMF Daemon

Most vendors only support a character-special functionality, defined simply as the ability to open, to read from and write to, and to close a device that is recognized by the system software.

### 1.1.1.2 Functionality

SGI offers a well-defined set of advanced functionality on all devices that TMF supports:

- Dynamic resource control
- Standard label support
- Nonlabeled tape support
- Bypass labeling
- Dynamic configuration control
- Multivolume and multifile support
- Embedded filemarks
- Distributed operator control
- Loader domains
- User end-of-volume processing
- Front-end servicing
- Absolute positioning
- OpenVault support
- Automatic volume recognition

When device vendors introduce new products, the standard marketing line is "this product is designed and operates within the boundaries of the xxx specification." While this may be true in the vendor engineering and test labs, when the device is introduced to the real world, reality sets in.

SGI has found that almost every device that vendors have produced can be made to fail when introduced into an environment with SGI systems configured. We have found that our software drives the devices to their limitations. Most every failure that has been discovered and fixed by the device vendor has led to a more stable and better performing product in the field.

While most enterprise vendors delegate device driver support to the peripheral vendors, SGI has accepted development and support as its role.

### 1.1.2 Tape Label Support

TMF supports ANSI standard labels, IBM standard labels, single filemark format tapes, and nonlabeled tapes. Single filemark format tapes do not have labels and are terminated by a single filemark at the end of volume, whereas a normal nonlabeled tape is terminated by two filemarks at the end-of-volume. Also, `bypasslabel` processing is available to tape administrators. `Bypasslabel` processing lets users read or write tape labels as regular files.

### 1.1.3 Resource Management

TMF monitors all of the tape resources configured within the system. It reads a TMF configuration file that contains a description of the tape configuration and then constructs a data-structure complex that contains information about each one of the tape drives. TMF enables system administrators to configure tape devices up or down. It also contains several commands to monitor its activities.

TMF allocates tape drives upon request, and ensures sure that such an allocation does not result in a deadlock condition. (A *deadlock* condition is one in which a task is locked in a state from which it cannot proceed.)

TMF creates and maintains wait queues for requests that cannot be satisfied at the time of the request. After a user has finished using a tape drive, that resource can be assigned to another user who has been queued in one of the wait queues.

### 1.1.4 Volume Mounting and Unmounting

TMF issues messages to either operating personnel in plain text or to a library in a data-structure format. These messages request the mounting of tapes on tape drives.

TMF supports several different families of libraries, including those from IBM, StorageTek, and EMASS. It also supports OpenVault, a storage library management facility. The automatic volume recognition (AVR) feature allows the operator to premount tapes prior to use and to direct the mounting of tapes to specific devices.

### 1.1.5 Tape Positioning

Tape positioning lets you position to the beginning of a tape block. Tape movement may be forward or backward; however, tape positioning directives cannot be used to circumvent normal tape label processing or label checking unless you are `root` and use an absolute track address positioning request. You can position the tape file

relative to a filemark, tape block, or volume; or you can position the tape file to an absolute track address.

### **1.1.6 Front-End Servicing**

TMF provides a means of using a tape management system: front-end servicing for MVS (FES MVS available from SGI) that allows TMF messages and catalog requests to be processed by a IBM MVS system. Alternately, user exits let you use a local implementation for catalog services.

### **1.1.7 User End-of-Volume Processing**

User end-of-volume (EOV) processing lets you gain control at the end of a tape volume. For EOV processing or positioning to a tape block, it is necessary to know that the file being processed is a tape file. You may request to be notified when end-of-volume is reached.

In addition, you can request special user EOV processing, which includes the reading, writing, and positioning of the volume before and after a volume switch. After special processing has completed, you must request that TMF resume normal processing.

### **1.1.8 Multifile Volume Allocation**

Multifile volume allocation lets you process a multifile volume tape without the need for the system to unload and load tapes between files. A volume is a physical unit or storage medium, usually synonymous with a reel of magnetic tape.

### **1.1.9 Concatenated Tape Files**

The concatenated tape file feature lets you read multiple tape files as though they were one tape file. An EOV status is returned for all of the concatenated files read, until the last file and its end-of-file is encountered.

### **1.1.10 Tape Message Log File**

TMF maintains a log file in a user directory in which it records key events in its processing of requests on behalf of the user. This enables you to issue a batch job to process tape volumes and have a record of the activities that took place. Statistical data is recorded in this file as well.

## 1.2 Terminology

Table 1-1 describes TMF terminology that is used throughout this manual.

**Table 1-1** TMF Terminology

Term	Definition
<i>block size</i>	The block size specifies the size (in bytes) of a data block on a tape.
<i>device group</i>	Each tape device belongs to a device group. The device group name is the generic device name in the TMF configuration file. Also referred to as a <i>resource</i> .
<i>device name</i>	Each tape device is identified by a device name, which is defined by a device name entry in the TMF configuration file.
<i>device type</i>	Each device has a device type, which is specified by a number. The different tape devices are available on IRIX systems.
<i>external VSN</i>	The external VSN is the human readable label applied to the tape's container. It is also called the <i>external volume identifier</i> .
<i>file identifier</i>	The file identifier is the name of the file recorded in the HDR1 label of a labeled tape. If specified in lowercase, the file identifier is converted to uppercase, per ANSI standard.
<i>label type</i>	The label type may be one of the following: nonlabeled, IBM standard, ANSI standard, or single filemark format.

Term	Definition
<i>path name</i>	Each tape file is defined by a path name. You can specify the path name of the tape file by using the <code>tmmnt(1)</code> command. The system creates an entry in the directory specified by the path name. The tape device assigned to the tape file may change during volume switching. While a tape device is assigned to a tape file, you may not remove the path name of that tape file; the path name is removed when the tape device is released.
<i>record length</i>	The record length specifies the maximum length of a logical record (in bytes).
<i>session identifier</i>	The session identifier is the process identification number unique to the shell or batch job currently in use.
<i>volume identifier</i>	The volume identifier is a character string that consists of 1- to 6-alphanumeric characters identifying a tape. The volume identifier may also be referred to as the <i>volume serial number (VSN)</i> , the <i>internal VSN</i> , or the <i>internal volume identifier</i> .





## Tape Formats

TMF supports both IBM compatible tape and ANSI formats. This chapter describes and illustrates these formats and the label fields if applicable.

### 2.1 IBM Compatible Tape Format

This section briefly describes and illustrates the IBM tape format. Tape format is determined by the presence or absence of labels and the number of files on a tape volume or number of volumes for a tape file.

System labels and filemarks are accessible to a user process only through the use of the `tmmnt(1)` command.

In the following figures, the character `b` represents the beginning of the tape and the character `*` represents a filemark (HDR2, EOV2, and EOF2 labels are optional for input). TMF always creates these labels for labeled tapes; other systems may not.

#### 2.1.1 Nonlabeled Tapes

Nonlabeled tapes are of two formats, determined by the number of filemarks that indicate end-of-volume.

##### 2.1.1.1 Two Filemark Tapes

Nonlabeled tapes with two filemarks, implemented by the `-1 n1` option of the `tmmnt(1)` command, may consist of a single-volume file; a multivolume file; or multifile, multivolume file formats. Figure 2-1, page 12, illustrates these formats. For tapes with multiple files, a single filemark separates files on the same volume. End-of-volume is reached when two consecutive filemarks are encountered, and there is another tape to read.

Single-volume file tape:

b	File	**
---	------	----

Multifile, single-volume tape:

b	File 1	*	File 2	*	www	*	Last File	**
---	--------	---	--------	---	-----	---	-----------	----

Multivolume, single-file tape:

b	Section 1 of file	**
---	-------------------	----

b	Section 2 of file	**
---	-------------------	----

Multifile, multivolume tape:

b	File 1	*	Section 1 of file 2	**
---	--------	---	---------------------	----

b	Section 2 of file 2	**
---	---------------------	----

b	Last section of file 2	*	File 3	**
---	------------------------	---	--------	----

a10137

**Figure 2-1** Nonlabeled, Two Filemark Formats

### 2.1.1.2 Single Filemark Tapes

For nonlabeled, single filemark format, implemented by the `-l st` option of the `tmmnt(1)` command, a single filemark indicates end-of-volume. When using one filemark tape as an input tape, the system reads only to the first filemark encountered.

When using a single filemark tape as an output tape, the system terminates the tape with three filemarks, allowing it to be read as a nonlabeled tape later on. Note that because the system processes only the data blocks and the first filemark, you cannot have multifiles on a single filemark tape. That is, you cannot use the `-l st` option with the `-q` option of the `tmmnt(1)` command.

Figure 2-2 illustrates nonlabeled, single filemark formats.

Single-volume file tape:

b	File	*
---	------	---

Multivolume, single-file tape:

b	Section 1 of file	*
---	-------------------	---

b	Section 2 of file	*
---	-------------------	---

a10138

**Figure 2-2** Nonlabeled, Single Filemark Formats

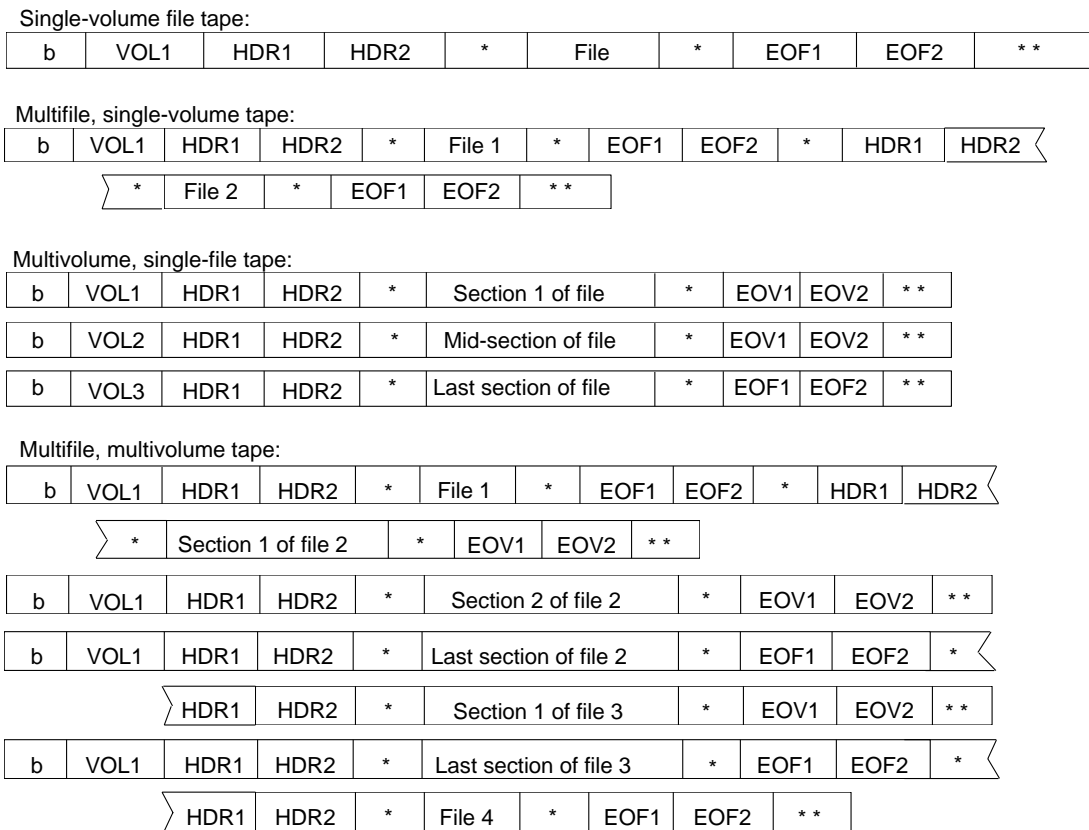
## 2.1.2 Labeled Tapes

Labeled tapes are implemented by the `-l a1` (ANSI standard label) and the `-l s1` (IBM standard label) options of the `tmfmt(1)` command. ANSI standard labels and IBM standard labels are similar, with the exception that in IBM standard labels, the character fields are represented by EBCDIC characters while in ANSI standard labels, the character fields use ASCII characters.

Labeled tapes use the following labels in TMF (see Section 2.2, page 16, for a description of these labels):

- Volume header label (VOL1)
- First file header (HDR1)
- First end-of-volume (EOV1)
- First end-of-file (EOF1)
- Second file header (HDR2)
- Second end-of-volume (EOV2)
- Second end-of-file (EOF2)

Figure 2-3 illustrates labeled tape formats.



a10139

Figure 2-3 Labeled Tape Formats

### 2.1.3 IBM Compatible Tape Format Summary

The formats described previously are illustrated in Figure 2-4, page 15, through Figure 2-7, page 16, grouped by number of files and number of volumes. Figure 2-4 shows a single-volume file; Figure 2-5 shows a multifile, single-volume tape; Figure 2-6 shows a multivolume, single-file tape; and Figure 2-7 shows a multifile, multivolume tape. For each format type, the figures show both labeled (ANSI or IBM) and nonlabeled tapes.

Nonlabeled:

b	File	**
---	------	----

Labeled:

b	VOL1	HDR1	HDR2	*	File	*	EOF1	EOF2	**
---	------	------	------	---	------	---	------	------	----

Single tape mark:

b	File	*
---	------	---

a10140

**Figure 2-4** Single-Volume File

Nonlabeled:

b	File 1	*	File 2	*	www	*	Last File	**
---	--------	---	--------	---	-----	---	-----------	----

Labeled:

b	VOL1	HDR1	HDR2	*	File 1	*	EOF1	EOF2	*	HDR1	HDR2						
<table border="1" style="margin-left: 100px;"> <tr> <td>*</td> <td>File 2</td> <td>*</td> <td>EOF1</td> <td>EOF2</td> <td>**</td> </tr> </table>												*	File 2	*	EOF1	EOF2	**
*	File 2	*	EOF1	EOF2	**												

Single tape mark: (not applicable)

a10141

**Figure 2-5** Multifile, Single-Volume Tape

Nonlabeled:

b	Section 1 of file	**
---	-------------------	----

b	Section 2 of file	**
---	-------------------	----

Labeled:

b	VOL1	HDR1	HDR2	*	Section 1 of file	*	EOV1	EOV2	**
---	------	------	------	---	-------------------	---	------	------	----

b	VOL2	HDR1	HDR2	*	Mid-section of file	*	EOV1	EOV2	**
---	------	------	------	---	---------------------	---	------	------	----

b	VOL3	HDR1	HDR2	*	Last section of file	*	EOF1	EOF2	**
---	------	------	------	---	----------------------	---	------	------	----

Single tape mark:

b	Section 1 of file	*
---	-------------------	---

b	Section 2 of file	*
---	-------------------	---

a10142

**Figure 2-6** Multivolume, Single-File Tape

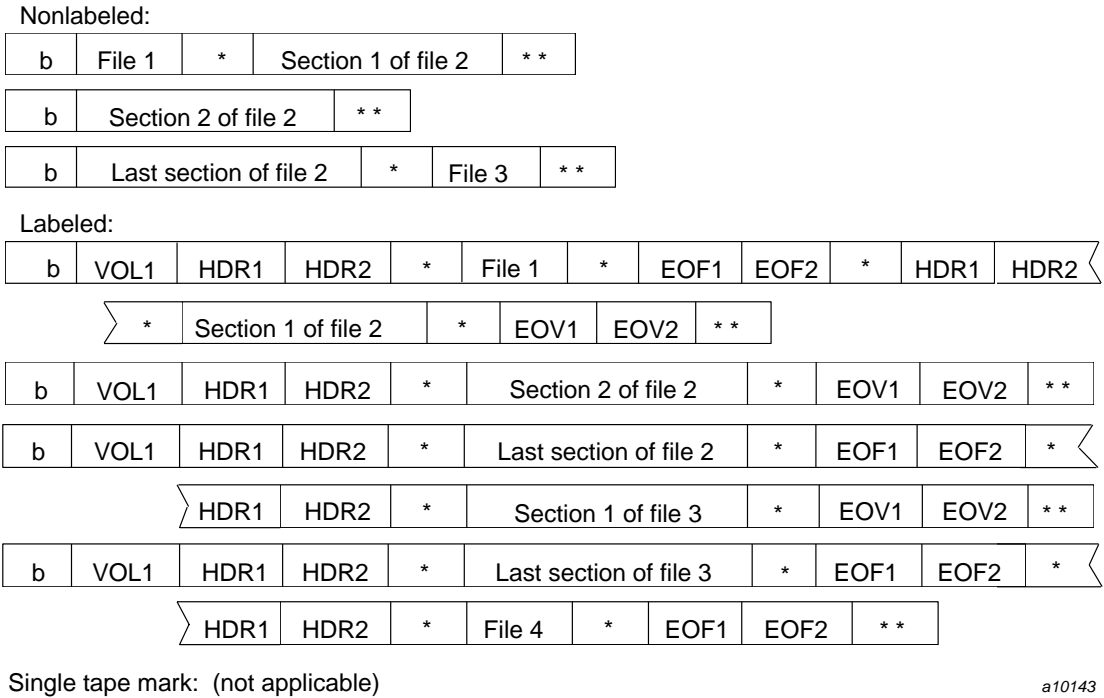


Figure 2-7 Multifile, Multivolume Tape

## 2.2 Tape Label Fields

This section describes the various tape label fields for ANSI standard and IBM standard labels. Specifically, it describes the fields in which label types are supported. These are checked by the system when reading or writing a tape and those that are filled in with parameter values when you use the `tmnt(1)` command to create a labeled tape.

In IBM standard-label character fields, the characters are represented by EBCDIC characters. ANSI standard labels use ASCII characters.

## 2.2.1 VOL1 Label

The VOL1 label is the first block on a labeled tape. Table 2-1 describes the fields for an ANSI standard label. Figure 2-8, page 18, shows the format of the VOL1 label.

**Table 2-1** VOL1 Label Values

Field	Starting byte	Length in bytes	Contents	Description
label id	1	4	VOL1	VOL1 label; required system-supplied character string.
volume id	5	6	<i>vi</i>	Volume identifier of the tape; it is specified with the <code>-v</code> option or contained in the file specified with the <code>-v</code> option of the <code>tmmnt(1)</code> command. It is checked on all labeled tapes and contains up to 6 alphanumeric characters.
owner id	38	14	<i>owner_id</i>	User ID of the tape owner.
standard level	80	1	<i>label standard version</i>	ANSI standard version number for label and data formats. For Silicon Graphics systems, the version number is 4.

The fields of the ANSI standard VOL1 label are the same as the IBM standard VOL1 label, with the following exceptions:

- The `owner id` field of the IBM standard VOL1 label starts at byte 42 and has a length of 10 bytes.
- The `standard level` field is not used in the IBM standard VOL1 label.

Starting byte		Length in bytes	Field
ANSI standard	IBM standard		
1	1	4	label id
4	4		
5	5	6	volume id
10	10		
11	11	28	reserved
~	~		
37		32	owner id
38			
	41	14	
	42		
51	51		reserved
52	52	27	
79			standard level
80	80	1	

a10144

Figure 2-8 VOL1 Label



## 2.2.2 HDR1, EOVI, and EOF1 Labels

The HDR1 label is located before each file or section of a file on a tape volume. If a file is not completed on a tape volume and extends to the following tape volume, the data in the file is followed by an EOVI label. If a file or file section is completed on a tape volume, the data in the file is followed by an EOF1 label.

The fields of the HDR1, EOVI, and EOF1 labels are the same in both the ANSI standard label format and the IBM standard label format. Table 2-2 describes the specified fields. Figure 2-9, page 21, shows the format of the HDR1/EOVI/EOF1 labels.

**Table 2-2** HDR1/EOVI/EOF1 Labels

Field	Starting byte	Length in bytes	Contents	Description
label id	1	4	HDR1 EOVI EOF1	Label type; required system-supplied character string.
file id	5	17	<i>file_id</i>	File identifier; 1- through 17-alphanumeric character field specified by the <i>-f</i> option of the <i>tmmt</i> (1) command. If the <i>-f</i> option is not specified, the file identifier is taken from the path name of the <i>-p</i> or <i>-P</i> option of <i>tmmt</i> . The level of checking on <i>file id</i> is installation specified.
sequence	28	4	<i>number</i>	Order of this volume in a multivolume set; it is specified by a decimal number (1 through 9999) on the <i>-O</i> option of <i>tmmt</i> .
file sequence	32	4	<i>number</i>	File order within a multifile tape; it is specified by a decimal number (1 through 9999) on the <i>-q</i> option of <i>tmmt</i> . The system uses the specified value to position the tape volume to the proper file.
creation date	42	6	<i>cyddd</i>	Creation date (pseudo-Julian format) of a new tape; <i>c</i> = century (blank = 19, 0 = 20, 1 = 21...), <i>yy</i> = year (00-99), and <i>ddd</i> = day (001-366).

## 2: Tape Formats

---

Field	Starting byte	Length in bytes	Contents	Description
expiration date	48	6	<i>cyddd</i>	Expiration date (pseudo-Julian format) at which time a tape may be scratched or overwritten. Normally, it is specified in the <i>cyddd</i> format by using the <i>-x</i> option of <i>tmmnt</i> . Otherwise, you can specify the number of days on the <i>-t</i> option by using <i>tmmnt(1)</i> . The specified number is added to the creation date, thus creating the expiration date.
block count	55	6	<i>number</i>	Number of data blocks in the preceding file section or file on the current tape volume for EOVI and EOF1 labels. The block count in the HDR1 label contains a value of 000000. In EOVI and EOF labels for standard labels ( <i>s1</i> ), if the block count is greater than 999,999, the block count field will represent the block count as mod 1,000,000. The overflow (block count / 1000000) will be stored in bytes 76 through 80. This is the extended block count field. For ANSI standard labels ( <i>a1</i> ), if the block count is greater than 999,999, the block count field will represent the block count as mod 1,000,000.
extended block count	76	5	<i>number</i>	For standard labels ( <i>s1</i> ), if the block count is greater than 999,999, the block count field will represent the block count as mod 1,000,000. The extended block count field will contain the overflow (block count / 1000000).

<u>Starting byte</u>	<u>Length in bytes</u>	<u>Field</u>
1	4	label id
4		
5	17	file id
21		
22		
27		
28	4	sequence
31		
32	4	file sequence
35		
36	6	reserved
41		
42	6	creation date
47		
48	6	expiration date
53		
54	1	reserved
55	6	block count
60		
61	14	reserved
75		
76		
80	6	extended block count

a10145

**Figure 2-9** HDR1/EOV1/EOF1 Labels

### 2.2.3 HDR2, EOVS, and EOF2 Labels

An HDR2 label immediately follows an HDR1 label, and it is followed by a filemark. An EOVS label immediately follows an EOVS1 label, and it is followed by two filemarks. An EOF2 label immediately follows an EOF1 label, and if more files follow this file, it is followed by one filemark. If the EOF2 label is the last file on the tape volume, it is followed by two filemarks.

ANSI standard does not specify a format for these labels, except for the first 4 bytes. IBM standard labels use the HDR2, EOVS, and EOF2 labels to store additional information concerning the file they bracket. TMF automatically writes these labels when you use the `-l s1` or `-l a1` options of `tmmt(1)`. These labels follow the IBM standard format. Table 2-3 describes the specified fields. Figure 2-10, page 24, shows the format of the HDR2/EOVS/EOF2 labels.

**Table 2-3** HDR2/EOVS/EOF2 Labels

Field	Starting byte	Length in bytes	Contents	Description
label id	1	4	HDR1 EOVS1 EOF1	Label type; required system-supplied character string.
record format	5	1	<i>format</i>	Record format; 1-character field specified by the <code>-F</code> option of <code>tmmt(1)</code> .
block length	6	5	<i>number</i>	Maximum block length, in bytes, for the associated file; specified by a decimal number (1 through 99999) on the <code>-b</code> option of <code>tmmt</code> . If the block length is greater than 100000, the block length field will represent the block length as mod 100000.

---

Field	Starting byte	Length in bytes	Contents	Description
record length	11	5	<i>number</i>	Record length, in bytes; specified by the -L option of <code>tmmt</code> .
density	16	1	<i>number</i>	Tape density; specified by the -d option of <code>tmmt</code> . TMF supports 1600 bpi (this field contains the value 3) and 6250 bpi (this field contains the value 4).

---

<u>Starting byte</u>	<u>Length in bytes</u>	<u>Field</u>
1	4	label id
4		
5	1	record format
6	5	block length
10		
11	5	record length
15		
16	1	density
17	38	reserved
≈		
≈		
≈		
54	3	security level
55		
57	1	reserved
58		
59	17	compartments
74		
75	4	reserved
80		

a10146

**Figure 2-10** HDR2/EOV2/EOF2 Labels

## TMF Tutorial

This tutorial is designed to give an overview of various TMF capabilities. It summarizes the differences between TMF and UNICOS tape subsystem usage.

The chapter also introduces the following aspects of TMF usage and provides examples:

- Using tapes

Using tapes generally consists of four parts. You reserve a tape device, mount a tape, manipulate the tape in some way, and lastly release the tape device.

- Obtaining tape status and information

You can obtain status information about your tape usage from various commands and files. You can also send messages to the operator.

- Using standard IRIX commands

You can manipulate tapes with standard IRIX commands like `cp(1)`, `dd(1m)`, `tar(1)`, `cpio(1)`, and `tmmnt(1)`.

Details concerning the commands and parameters used in this chapter are described in the individual man pages. To see an online description of a particular command or routine, use the `man(1)` command.

### 3.1 Working with TMF and UNICOS Tape Subsystem Differences

TMF is not functionally equivalent to the UNICOS tape subsystem. Under TMF, you accomplish some tasks differently than under the UNICOS system, and certain UNICOS commands do not exist in TMF. It is assumed that you are familiar with the various commands used in this section. If you have never used the UNICOS tape subsystem, you can skip the section.

#### 3.1.1 Command Name Differences

The spelling of user and administrator command names differs between TMF and the UNICOS tape subsystem. The first two letters of the TMF commands in Table 3-1, page 26 are `tm` in contrast to the UNICOS commands which begin with `tp`.

**Table 3-1** Command Name Suffix Changes

TMF Name	UNICOS Name
tmcatalog(1)	tpcatalog(1)
tmlist(1)	tplist(1)
tmmnt(1)	tpmnt(1)
tmrst(1)	tprst(1)
tmstat(1)	tpstat(1)
tmclr(8)	tpclr(8)
tmconf(8)	tpconf(8)
tmconfig(8)	tpconfig(8)
tmdaemon(8)	tpdaemon(8)
tmfrls(8)	tpfrls(8)
tmgstat(8)	tpgstat(8)
tmlabel(8)	tplabel(8)
tmmis(8)	tpmis(8)
tmmql(8)	tpmql(8)
tmset(8)	tpset(8)

The TMF command and file names in Table 3-2 are spelled differently than their UNICOS counterparts.

**Table 3-2** Other Name Differences

TMF Name	UNICOS Name
tmrls(1)	rls(1)
tmrsv(1)	rsv(1)
tmf.config(5)	text_tapeconfig(5)



TMF Name	UNICOS Name
tmstop(8)	tpdstop(8)
tmunld(8)	tpu(8)

### 3.1.2 Usage Differences

The TMF commands are found in the `/usr/tmf/bin` directory while the UNICOS tape subsystem commands are located in `/usr/bin`, `/usr/lib/tp`, and `/etc`.

#### 3.1.2.1 Logging Off and Unloading Tapes

If you, as an interactive UNICOS tape user, log off the system, your tapes are dismounted. Under TMF, your tape stays mounted unless you specifically issue a `tmrls(1)` command. If you neglect to release a tape explicitly, a user with `root` permission must issue a `tmfrls(8)` command to unload the tape.

#### 3.1.2.2 Specifying Block Size with `tmmnt`

Under TMF, you must specify the same block size on a command that you do on the `tmmnt(1)` command. Thus, if you enter a `tmmnt(1)` command with the `-b` option set to 32768 and, then, read or write the tape with a `dd(1m)` command, the `bs` parameter must be set to 32768. Since a block size cannot be specified on a `cat(1)` or `cp(1)` command, you cannot use either command in this situation.

When you dump files to tape using the `-d` option of `xfsdump(1m)`, it uses 262144 as the block size. As a result, you must issue the `tmmnt(1)` command with the `-v` option set to the number of volumes needed and the `-b` option set to 262144, which is  $2^{18}$ .

---

**Note:** The administration command, `xfsdump(1m)`, is documented in the *IRIX TMF Administrator's Guide*.

---

## 3.2 Using Tapes

Procedure 3-1, page 28 provides an overview of the steps involved in using TMF. The examples in the following sections illustrate these steps.

**Procedure 3-1** Basic TMF Tape Usage

To use a TMF tape, you follow four basic steps:

1. Reserve tape resources by using the `tmrsv(1)` command.

The `tmrsv(1)` command allows you to reserve a device for your specific need. Reserving a device does not guarantee you immediate access to the drive; it simply alerts TMF that you will eventually request a tape.

2. Request a tape mount for a tape file by using the `tmmnt(1)` command.

The `tmmnt(1)` command allows you to specify the various aspects of the tape, such as the VSN (volume serial number), FID (file identifier), and block size.

3. Process the tape file information by using whatever commands or programs you need to accomplish what you want to do.

Once the tape is physically mounted on the drive, you can then manipulate it by referring to the path (`-p`) parameter that was used in the `tmmnt(1)` command. There are many ways to manipulate the tape including the `cp(1)`, `dd(1m)`, `tar(1)`, and `cpio(1)` commands as well as through a C language program.

Section 3.3, page 30, contains examples showing various ways to manipulate tapes. Chapter 4, page 39, describes the ways in which you may work with tapes from within C programs.

4. Release the tape resources reserved by using the `tmr1s(1)` command.

After you are done using the tape, you should use the `tmr1s(1)` command to physically disassociate the tape from the tape drive. You can include parameters on the `tmr1s(1)` command that allow you to continue using the tape drive with another tape or to release the tape drive from your control.

### 3.2.1 Basic Usage Examples

The following series of examples illustrates the four steps. Example 3-1, page 29 shows how you request that a tape to be mounted. Example 3-2, page 29, shows how you mount an existing tape and read it. Example 3-3, page 29, shows how you add a new tape file. For additional information about the commands and descriptions of the parameters, see the individual man pages.

**Example 3-1** Creating a Tape

This tape has an IBM standard label with a volume serial number (VSN) of 000001 and a file name of `tf`. The contents of the disk file named `data` is copied to `tf`. After the tape file is created, the tape is unloaded and the allocated tape drive is released.

```
$ tmrsv CART
$ tmmnt -l sl -v 000001 -P tf -n -g CART
$ cp data tf
$ tmrls -a
```

**Example 3-2** Reading an Existing Tape File

This example shows how you mount the previous tape, indicating that it is an old tape, and read the data from the tape into a disk file named `old.data`.

```
$ tmrsv CART
$ tmmnt -l sl -v 000001 -P tf -o -g CART
$ cp tf old.data
$ tmrls -a
```

**Example 3-3** Adding a New File to an Existing Tape

This example shows how to add a new tape file (file sequence 2) to the tape 000001 and then copy the disk file named `new.data` into the new tape file.

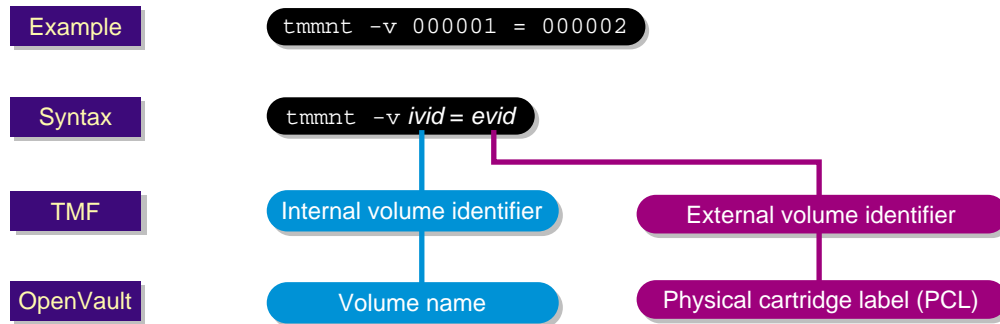
```
$ tmrsv CART
$ tmmnt -l sl -v 000001 -q 2 -P tf2 -n -g CART
$ cp new.data tf2
$ tmrls -a
```

### 3.2.2 OpenVault Usage

When TMF requests OpenVault to mount or unmount a cartridge (physical tape), TMF uses the OpenVault *physical cartridge label* (PCL) as the external volume identifier for the `-v` option in the `tmmnt(1)` command.

For OpenVault users, a volume is an application's view of a partition on a cartridge. A cartridge has at most one volume on a partition. Each volume has a *volume name*.

If you omit the external volume identifier in the `-v` option of a `tmmnt(1)` command, TMF assumes the external volume identifier (the OpenVault PCL) is the same as the internal volume identifier (OpenVault volume name). Figure 3-1, page 30 shows this terminology.



**Figure 3-1** OpenVault `tmmnt` Terminology

Example 3-4 uses the same `tmmnt(1)` command as used in Example 3-2; however, this example is for a specific OpenVault environment instead of general tape usage.

**Example 3-4** Reading an Existing OpenVault Tape File

In this `tmmnt(1)` command, `CART` is a drive group of OpenVault drives and a device group in TMF, and `000001` is the OpenVault volume name that TMF uses as the internal volume identifier in the `-v` option:

```
$tmrsv CART
$tmmnt -l -v 000001 -P tf -o -g CART
```

TMF is assuming `-v 000001 = 000001`; that is, the external volume identifier is the same as the internal volume identifier (`000001`). TMF then sends OpenVault a message that requests OpenVault to mount the PCL called `000001`.

## 3.3 Obtaining Tape Status

You can use the commands and files described in this section to obtain tape status and to send messages to the operator.

### 3.3.1 Tape Status Commands

Users can check reserve status of tape devices by using the `tmrst(1)` command. For example, enter the `tmrst(1)` command to display the reserved-tape status resource

name, number of reserved devices, number of used devices, and number of devices available for use as shown in Example 3-5.

**Example 3-5** `tmrst` Status Display

One CART and two DLT devices have been reserved, and one DLT device is currently in use:

```
$ tmrst
Resource w  rsv  used avail
CART          1    0    1
DLT           2    1    1
SD3           0    0    0
3590          0    0    0
```

---

**Note:** The information display in the Resource column is determined by the system administrator in the TMF configuration file. You can use the `tmstat(1)` command to display available tape resources. The resource name is displayed in the `group` column. The system administrator specifies the name of each tape resource in the TMF configuration file.

---

The `tmstat(1)` command allows users to check the status of various tape devices. You can display the user identifier, session identifier of the user, device group name, device status, device name, stream ordinal, VSN, and other values by using the `tmstat(1)` command as shown in Example 3-6.

**Example 3-6** `tmstat` Status Display

Two STK9490 devices, `s9490s1` and `s9490s3`, and two CART devices, `tape100` and `tape200`, are idle and available for use. One STK9490 device, `s9490s2`, is assigned to user `edh`, session identifier `402`, with a volume identifier of `004014`. It is on tape block 4.

One CART device, `cart200`, is in a `cnfp` (configuration pending) state, which generally means that the drive is waiting on a response from a front-end controlled media loader before it can be configured completely up. All other devices are down and unavailable.

**tmstat**

user	sess	group	a	stat	device	stm	rl	ivsn	evsn	blks	NQSid
		STK9490	-	idle	s9490s1						
edh	402	STK9490	-	assn	s9490s2	2	o	004014	004014	4	
		STK9490	-	idle	s9490s3						
		STK9490	-	down	s9490s4						
		STK9490	-	down	s9490s5						
		STK9490	-	down	s9490s6						
		CART	-	down	cart100						
		CART	-	cnfp	cart200						
		CART	+	idle	tape100						
		CART	+	idle	tape200						

---

**Note:** The resource names are displayed in the `group` column. The system administrator specifies the name of each tape resource in the TMF configuration file.

---

### 3.3.2 Tape Log File

When you issue a `tmrsv(1)` command, a log file called `tape.msg` is created in your current working directory. This log file keeps track of messages TMF issues concerning your tape job. Example 3-7 is a tape message log file.

**Example 3-7** `tape.msg` file

All informative and error messages are appended to this file.

```
Sep 23 12:48:41.733795 TM000 - Tape resource(s) have been reserved for you
Sep 23 12:48:48.170742 TM048 - Tape stream '/ptmp/ptc/tmp/x' assigned to device
dlt2
Sep 23 12:48:48.339957 TM046 - Mount volume DLT100(s1) ring-in, on device dlt2 for ptc (23896)
(null) or reply cancel / device name
Sep 23 12:50:43.564636 TM049 - /ptmp/ptc/tmp/x : DLT100(s1) : open : blocks = 0
Sep 23 12:50:52.514214 TM049 - /ptmp/ptc/tmp/x : DLT100(s1) : bof : write : blocks = 0
Sep 23 12:50:52.515612 TM049 - /ptmp/ptc/tmp/x : DLT100(s1) : bof : write : blocks = 0
Sep 23 12:51:01.547197 TM049 - /ptmp/ptc/tmp/x : DLT100(s1) : eot : write : blocks = 449
Sep 23 12:51:01.572432 TM049 - /ptmp/ptc/tmp/x : DLT100(s1) : close : blocks = 449
Sep 23 12:51:13.325245 TM050 - Tape device dlt2 has been released
Sep 23 12:51:13.328480 TM029 - All tape resources have been released
```

### 3.3.3 Messages to Operator

The `msgcr(1)` command lets you send messages to the operator. For example, the following command line sends an informative message to the operator:

```
msgcr "Is tape ABC on the system?" &
```

You should always put messages to the operator in the background as a command will wait for an operator response before completing.

## 3.4 Using Standard IRIX Commands

This section describes some of the ways in which you may work with TMF by using standard IRIX commands.

Before you can issue commands to TMF for tape file processing, you must reserve the required number of tape drives for each device type needed. After you have reserved the tape drives, you may specify the tape volume in which the files to be processed are located. After you have the volumes mounted, you can begin processing the tape files. When processing is complete, release the reserved tape drives.

The procedures in this section describes how you can copy a file from disk to tape (Procedure 3-2, page 33), copy a disk file to tape (Procedure 3-3, page 34), read and write to tape using the `tar(1)` command (Procedure 3-4, page 34), read and write to tape using the `cpio(1)` command (see Procedure 3-5), and read files to and write files from a multifile tape (Procedure 3-6, page 36).

#### **Procedure 3-2** Using the `cp(1)` Command

To copy a file from disk to tape, use the `cp(1)` command:

1. Reserve a tape by using the `tmrsv(1)` command. In this example, the device group name is `CART`, and the number of devices requested is 1:

```
tmrsv CART 1
```

2. Request a tape mount by using the `tmmnt(1)` command. In this example, the tape has IBM standard labels, a volume identifier of `MYTAPE`, and a path name of `/tmp/tapefile`.

You must create a path name. Do not remove, rename, or move this file:

```
tmmnt -v MYTAPE -l s1 -p /tmp/tapefile -g CART -b 32768 -n -r in
```

3. Copy file `myfile` by using the `cp(1)` command-line syntax, as follows:

```
cp myfile /tmp/tapefile
```

The `cp(1)` command copies bytes of data from the disk file to the tape file. It does not format any data, but blocks it into tape records of size 32768 bytes for IBM compatibles devices.

4. Release the reserved tape. The code in this example releases all resources. The tape device is allocated to you until you issue the `tmrls(1)` command with the `-a`, `-d`, or `-p` option. When you issue the `tmrls(1)` command, TMF deletes the associated file, `/tmp/tapefile`.

```
tmrls -a
```

#### **Procedure 3-3** Using the `dd(1m)` Command

Use the `dd(1m)` command to copy a disk file to tape.

1. Reserve a tape:

```
tmrsv CART 1
```

2. Request a tape mount by using the `tmmnt(1)` command. In this example, the tape has an IBM standard label, the volume identifier is `MYFILE`, it is a new file, and writing is permitted to the tape via the use of the `-r` in parameter:

```
tmmnt -b 4096 -l sl -v MYFILE -p /tmp/tapefile -n -r in -g CART
```

3. Use the `dd(1m)` command to copy file `mydisk` to tape, specifying a block size of 4096 bytes:

```
dd if=mydisk of=/tmp/tapefile bs=4096
```

4. You can also use the `dd(1m)` command to read the tape file back into file `newfile`:

```
dd if=/tmp/tapefile of=newfile bs=4096
```

5. Release the tape resources:

```
tmrls -a
```

#### **Procedure 3-4** Using the `tar(1)` Command

The examples in this procedure show you how to read or write to tape by using the `tar(1)` command. You must select the `-f` option of the `tar(1)` command and specify the device path name you used in the `tmmnt(1)` command.



Use the `tar(1)` command to write to tape.

1. Reserve a tape using the default values of the `tmrsv(1)` command:

```
tmrsv CART 1
```

2. Request a tape mount by using the `tmmnt(1)` command:

```
tmmnt -l sl -p /tmp/tapefile -b 4096 -v MYFILE -n -r in -g CART
```

3. Copy the subtree to tape, starting at the current working directory:

```
tar -cvfb /tmp/tapefile 8 *
```

4. Change to a new directory:

```
cd /tmp/newdir
```

5. To read the tape back in, copy the tar subtree back from tape to your current working directory:

```
tar -xvfb /tmp/tapefile 8
```

6. Release the reserved tape:

```
tmrls -a
```

Read a tape that was created in the first part of Procedure 3-4, page 34, or on another UNIX system. In this example, the contents of the tape are read into your current working directory.

1. Reserve a tape:

```
tmrsv CART 1
```

2. Request a tape mount by using the `tmmnt(1)` command:

```
tmmnt -l sl -p /tmp/tapefile -v MYFILE -g CART -o
```

3. Read the tape by using the `tar(1)` command:

```
tar -xvf /tmp/tapefile
```

4. Release the reserved tape:

```
tmrls -a
```

**Procedure 3-5** Using the `cpio(1)` Command

Use the `cpio(1)` command to read and write to a tape. In this example, data is written to tape; then the `cpio(1)` command is used to read the data from tape:

1. Reserve a tape with a device group name of CART:

```
tmrsv CART 1
```

2. Request a tape mount using the `tmmnt(1)` command:

```
tmmnt -l sl -v MYTAPE -p /tmp/tapefile -g CART -n -r in
```

3. Copy the subtree to tape, starting with the current working directory:

```
find . -print | cpio -Bcov > /tmp/tapefile
```

4. Change to a new directory:

```
cd /tmp/newdir
```

5. To read the tape back in, copy the `cpio(1)` subtree into your current working directory:

```
cpio -civd < /tmp/tapefile
```

6. Release the reserved resources:

```
tmrls -a
```

**Procedure 3-6** Using the `tmmnt(1)` Command

Multifile volume allocation allows you to read or write different files on a tape without the need for the tape volume to be unloaded and remounted. To accomplish this you must use the same VSN (`-v` parameter) on the `tmmnt(1)` command for each file you wish to process. After the first `tmmnt(1)` command is processed, subsequent `tmmnt(1)` commands with the same VSN do not get sent to the operator.

When using multifile volume allocation, you can use only one file on a tape at a time; that is, you must open a specified file, process the file, and then close it before you can open another file on the same multifile tape volume. You must also reserve a device for each multifile volume tape requested. For example, if the tape files reside on several volumes, you can have files on different volumes opened at the same time; however, you must have reserved enough devices to hold all of the volumes.

The following procedures show you how to use the `-v` parameter of the `tmmnt(1)` command for multifile volume allocation.

Read three files from the same tape without having the operator mount the tape three times.

1. Reserve a tape:

```
tmrsv CART 1
```

2. Request a tape mount using the `tmmnt(1)` command. In this example, the tape has an ANSI standard label, the volume identifier is `MYFILE`, and the path names are `one`, `two`, and `three`, with file sequence numbers of the files to be processed as 1, 2, and 3:

```
tmmnt -l al -v MYFILE -p one -q 1 -r in -g CART
tmmnt -l al -v MYFILE -p two -q 2 -r in -g CART
tmmnt -l al -v MYFILE -p three -q 3 -r in -g CART
```

3. Read the accessed tape files into disk files:

```
cat one > firstfile
cat two > scndfile
cat three > thrdfile
```

4. Release the reserved tape:

```
tmrls -a
```

Use a multifile tape to write three files to the same tape:

1. Reserve a tape:

```
tmrsv CART 1
```

2. Request a tape mount using the `tmmnt(1)` command. In this example, the tape has an ANSI standard label, the volume identifier is `MYFILE`, and the path names are `one`, `two`, and `three`, with file sequence numbers of the files to be processed as 1, 2, and 3. The `-u` option is specified so that the tape will not be unloaded when the process terminates. This option is useful when a tape is used repeatedly, and it minimizes operator time spent mounting tapes:

```
tmmnt -u -l al -v MYFILE -p one -q 1 -n -g CART
tmmnt -u -l al -v MYFILE -p two -q 2 -n -g CART
tmmnt -u -l al -v MYFILE -p three -q 3 -n -g CART
```

3. Write the disk files to the specified tape files:

```
cat file1 > one  
cat file2 > two  
cat file3 > three
```

4. Release the reserved tape:

```
tmrls -a
```

## Writing C Applications Using Tapes

This chapter describes the ways in which you may work with TMF from within C programs.

Before you can access TMF for file processing, you must reserve the required number of tape drives for each device type needed. After you have reserved the tape drives, you may specify the tape volume in which the files to be processed are located.

After you have the volumes mounted and positioned, you can begin processing the tape files. When processing is complete, release the reserved tape drives.

There are two levels of access to TMF. The recommended and easiest to use is the C library level, using flexible file I/O (FFIO) library routines. The second level is to use system calls, which requires much greater detail than the C library level. At this level, access is via the `read(2)` and `write(2)` system calls or the `ioctl(2)` system call.

This chapter contains the following sections:

- Using FFIO
- Using System Calls: `read` and `write`
- Using System Calls: `ioctl`

### 4.1 Using FFIO

The flexible file I/O (FFIO) routines provide another way to perform tape I/O with the ease of use of system calls. The FFIO routines automatically recognize tape devices and use the appropriate buffering.

The C library routines `ffopen(3)`, `ffread(3)`, `ffwrite(3)`, `ffseek(3)`, `ffbksp(3)`, `ffclose(3)`, and `ffweof(3)` provide the capability to read and write records to tape, rewind the tape and backspace records, and read and write filemarks.

For IBM compatible devices, the `ffread(3)` and `ffwrite(3)` routines provide an interface that is sensitive to block boundaries and that returns information on tape block boundaries on request. With the FFIO layer, a rewind operation can be performed simply with a call to `ffseek(3)`. Filemarks can be written with `ffweof(3)`, and filemarks can be read with `ffread(3)`. A call to `ffwrite(3)` can write a tape block of a designated number of bytes on a tape. A call to `ffread(3)` can read up to

one tape block from a tape. Explicit information about tape block boundaries and the ability to read and write partial tape blocks is available through the use of optional parameters on `ffread(3)` and `ffwrite(3)`.

When you use byte-stream mode, end-of-volume processing, user filemarks, and some positioning functionality are not available with the FFIO tape layer. When you use block mode and the FFIO tape layer, each record written must be the same size as specified on the `-b` option of the `tmmnt(1)` command. An exception to this rule is the last record written before a filemark or the end-of-file.

Example 4-1 illustrates how you can use C library routines in a program and Example 4-2, page 42, shows how you execute the program. For more information on the C library routines, see the *MIPSpro Application Programmer's I/O Guide*.

#### **Example 4-1** C Library Routine Usage

The program, called `cexam.c`, demonstrates how C library routines can be used.

```
#include <fcntl.h>
#include <sys/types.h>
#include <foreign.h>
#include <errno.h>
main()
{
    int ffd;
    int i,j;
    int buf[2000];
    int ret;
    ffd = fopen("mytape", O_RDWR);
    if (ffd<0){
        printf("open failed, error = %d\n",errno)
        exit(1);
    }

    /****** Write 10 records, a filemark, and 10 more records to tape */

    for (j = 0; j < 2; j++){
        for (i = 0; i < 10; i++){
            ret = fwrite(buf, 800);
            if (ret < 800){
                printf("fwrite returned %d\n",ret);
                printf("error = %d\n",errno);
            }
        }
    }
}
```

```
    }

    /***** Write a filemark */

    ret = ffweof(ffd);
    if (ret < 0)
        printf("ffweof failed, error = %d\n",errno);
}

    /***** Rewind the tape */

    ret = ffseek(ffd,0,0);
    if (ret != 0)
        printf("ffseek failed, error = %d\n",errno);

    /***** Read the tape until the first filemark is reached. */

    for (;;) {
        ret = fread(ffd, buf, 16000);
        if (ret < 0) {
            printf("ffread failed, error = %d\n",errno);
            break;
        }
        else if (ret == 0)
            break;
    }

    /* Just read a filemark */

    else
        printf("We read %d bytes\n",ret);
}

    /***** Close the file */

    fclose(ffd);
}
```

**Example 4-2** Executing `cexam.c`

The following commands show how to execute the `cexam.c` program.

```
cc cexam.c -lffio
tmrsv CART 1
tmmnt -v ISCSL -l sl -p mytape -g CART -r in -n -T
assign -F tmf mytape
./a.out
tmrls -a
```

## 4.2 Using System Calls: `read` and `write`

TMF supports two kinds of unbuffered, synchronous I/O:

- Variable-block I/O, which is supported for all devices with this capability
- Fixed-block I/O, which is supported for all devices

I/O requests are issued with the `read(2)` and `write(2)` system calls.

### 4.2.1 Variable-block I/O

Variable-block I/O is the default I/O type. Each `read(2)` request transfers one block into your I/O buffer, and each `write(2)` transfers one block from your I/O buffer.

The size specified on the I/O request can vary. However, the request size must be within the driver limits, which can be obtained with the `MTIOCGETBLKINFO ioctl` request (see Section 4.3.2.2, page 79). The `write` size is also limited by the maximum block size specified on the `tmmnt(1)` command with option `-b`. On a `write(2)` system call, the request size cannot exceed this value. On a `read(2)` system call, the request size must be larger than or equal to the size of the next block on tape.

Procedure 4-1 and Procedure 4-2, page 43, show you write and read to a tape file, respectively.

**Procedure 4-1** Writing to a Tape File

Shows you how to write a tape file using variable-block I/O.



1. Specify the maximum block size as 98304 bytes on your `tmmnt(1)` command:

```
tmrsv CART 1
tmmnt -v 004141 -l sl -p tapefile -n -g CART -b 98304
```

2. Issue the `write(2)` requests:

```
#include <fcntl.h>

void
main( int argc, char **argv ) {

    char    buf[98304];
    int     fd;
    int     bytes;

    fd = open( "tapefile", O_WRONLY );
    bytes = write( fd, buf, 98304 );
    bytes = write( fd, buf, 32768 );
}
```

#### **Procedure 4-2** Reading a Tape File

Read 98304 bytes followed by another `read(2)` request of 98304 bytes from a tape file that has a maximum block size of 98304 bytes. If you are reading the data just written in the previous example, the first `read` request will return 98304 bytes and the second 32768 bytes.

1. Specify the maximum block size as 98304 bytes on your `tmmnt(1)` command:

```
tmrsv CART 1
tmmnt -v 004141 -l sl -p tapefile -g CART -b 98304
```

2. Issue the `read(2)` requests:

```
#include <fcntl.h>

void
main( int argc, char **argv ) {

    char    buf[98304];
    int     fd;
    int     bytes;
```

```
fd = open( "tapefile", O_RDONLY );
bytes = read( fd, buf, 98304 );
bytes = read( fd, buf, 98304 );
}
```

## 4.2.2 Fixed-block I/O

To request fixed-block I/O, specify the `-B` option on the `tmmnt(1)` command. The block size is specified with the `-b` option on the `tmmnt(1)` command or with `MTSPECOP ioctl` request (see Section 4.3.2.9, page 87).

TMF sets the block size when processing the `tmmnt(1)` command. If a block size other than what is specified on the `tmmnt(1)` command is required, a `MTSPECOP ioctl` request must be used to modify the block size. The tape must be positioned at the beginning of the tape or at the beginning of the file to be able to modify the block size. The block size must be within the drive limits and cannot exceed the maximum block size specified on the `tmmnt(1)` command.

Multiple blocks can be requested on each `read(2)` or `write(2)` request. The `write` request size must be a multiple of the block size. The `read` request size must be at least as large as the block size. Procedure 4-3 and Procedure 4-4, page 45, show how you write and read to a tape file, respectively.

### Procedure 4-3 Writing to a Tape File

Write a tape file using fixed-block I/O. The first `write(2)` request writes 3 blocks each of size 32768 bytes. The second `write` request writes one 32768 byte block. The block size is set by TMF to 32768 bytes when `tmmnt(1)` request is processed.

1. Specify the maximum block size as 32768 bytes on your `tmmnt(1)` command:

```
tmrsv CART 1
tmmnt -v 004141 -l sl -p tapefile -n -g CART -b 32768
```

2. Issue the `write(2)` requests:

```
#include <fcntl.h>

void
main( int argc, char **argv ) {

    char    buf[98304];
    int     fd;
```

```

        int    bytes;

        fd = open( "tapefile", O_WRONLY );
        bytes = write( fd, buf, 98304 );
        bytes = write( fd, buf, 32768 );
    }

```

**Procedure 4-4** Reading a Tape File

Read 3 blocks, each 32768 bytes in length, followed by another `read(2)` request which returns one block of size 32768 bytes.

1. Specify the maximum block size as 32768 bytes on your `tmmnt(1)` command:

```

tmrsv CART 1
tmmnt -v 004141 -l sl -p tapefile -g CART -b 32768

```

2. Issue the `read(2)` requests:

```

#include <fcntl.h>

void
main( int argc, char **argv ) {

    char    buf[100000];
    int     fd;
    int     bytes;

        fd = open( "tapefile", O_RDONLY );
        bytes = read( fd, buf, 100000 );
        bytes = read( fd, buf, 32768 );
    }

```

**4.2.3 Status**

Information is available about end-of-file, end-of-data, and error status.

**4.2.3.1 End-of-File Status**

If a filemark is detected on a `read(2)` request, the request returns a short count if data was read and the filemark is processed on the next I/O request. If no data was read, TMF determines if the filemark is embedded in data or indicates an end of the dataset.

If the filemark detected is embedded in data and the user has permission to process these filemarks, the tape is left positioned after the filemark and zero is returned to notify you of the filemark status. Permission to process filemarks is requested with the `-T` option on the `tmmnt(1)` command.

Otherwise, if the user does not have permission to process filemarks embedded in data, the user's request is terminated and no further requests other than a `close(2)` request is accepted. On the `read(2)` request, `-1` is returned to notify you of the error.

#### 4.2.3.2 End-of-Data Status

If a filemark is detected on a `read(2)` request and the filemark terminates the dataset, the tape is left positioned before the filemark. All further `read` requests return the filemark status; that is, the zero byte count.

To distinguish between an end-of-file and an end-of-data status, use a `ioctl(2)` system call with a `TMFC_EOD` request (see Section 4.3.1.1, page 47). This request returns `0` if the filemark indicates the end of the data, and `-1` if the filemark is a user filemark. Otherwise, since a filemark status will continue to be returned once the end-of-data is detected, a count of the number of consecutive filemarks detected can be used.

#### 4.2.3.3 Error Status

If an error is detected on a `read(2)` request or `write(2)` request, the I/O request returns a short count or `-1` if no data was input or output. If a short count is returned, the next I/O request returns `-1` to notify you of the error.

If a negative byte count is returned, `errno` is set to identify the error. Additional information relating to the error is also available in the user's message file, which is specified when the user reserves resources with the `tmsv(1)` command.

### 4.3 Using System Calls: `ioctl`

TMF supports `ioctl(2)` requests, which perform tape device operations, set certain device attributes, provide TMF status information and device information, and perform user end-of-volume (EOV) special processing. The `ioctl(2)` request codes, structures, and field values are defined in the TMF `ioctl` definition file, `/usr/include/tmf/sys/tmfctl.h`, and the tape `ioctl` definition file, `/usr/include/sys/mtio.h` (see Section 4.3.2, page 78). Table 4-1, page 47, describes these files:

**Table 4-1** `ioctl` Definition Files

File	Description
<code>/usr/include/tmf/sys/tmfctl.h</code>	The <code>ioctl(2)</code> requests defined in the <code>tmfctl.h</code> file either return TMF status information or perform tape device operations via the TMF daemon and its child processes.
<code>/usr/include/sys/mtio.h</code>	The <code>ioctl(2)</code> requests defined in this file are primarily for users who are not using TMF to access tape devices, but are instead using the <code>tpsc</code> tape interface (see the <code>tpsc(7M)</code> man page. TMF users can access <code>mtio.h</code> requests that do not involve tape movement or the setting of attributes. TMF controls the other tape operations, which users can request using the TMF <code>ioctl</code> interface defined in <code>tmfctl.h</code> .

### 4.3.1 `tmfctl.h` `ioctl` Requests

The following `ioctl(2)` requests are defined in the `tmfctl.h` file:

- Status `ioctl(2)` requests
- TMF daemon request or reply `ioctl(2)` requests

#### 4.3.1.1 Status `ioctl` Requests

Using the `ioctl(2)` system call with the `TMFC_DAEMON` and `TMFC_EOD` requests provides status information.

`TMFC_DAEMON` returns TMF status. The `ioctl(2)` system call returns an exit code of 0 if TMF is up; otherwise, an exit status of -1 is returned.

`TMFC_EOD` returns the state of a tape file. If the tape is positioned at the end-of-data, 0 is returned; otherwise, -1 is returned.

#### 4.3.1.2 TMF Daemon Request or Reply `ioctl` Requests

The `ioctl(2)` system call supports the `TMFC_DMNREQ` and `TMFC_DMNREP` requests, which provide positioning and related status information.

`TMFC_DMNREQ` issues requests to TMF daemon. These requests include tape positioning requests, user end-of-volume (EOV) special processing requests, filemark

writes, and informational requests. The `TMFC_DMNREQ` request can be sent synchronously or asynchronously.

`TMFC_DMNREP` obtains the status of an asynchronous TMF daemon request.

On synchronous requests, a reply is not sent until TMF daemon completes the request.

On asynchronous requests, a reply to the `TMFC_DMNREQ` request is returned after TMF daemon has been forwarded the request. Once the TMF daemon has completed the request, the status of the request can be obtained with the `TMFC_DMNREP` request. If the `TMFC_DMNREP` request is issued before the request completes, TMF waits for the request to complete before replying to the user.

The TMF daemon request consists of a header and, for those requests which require additional information, a request body. The header has the following format:

```
typedef struct  tmfreqhdr {
    int         request;
    int         length;
    int         reply;
    int         residual;
    int         async;
} tmfreqhdr_t;
```

Structures for requests which require more information than what is provided in `tmfreqhdr_t` are also defined in `tmfctl.h`. These structures consist of the request header, `tmfreqhdr_t`, followed by information specific to the request.

The following `tmfreqhdr_t` values must be set in the request:

<b>Value</b>	<b>Description</b>
<code>request</code>	TMF request type
<code>length</code>	Size of the request excluding the header
<code>async</code>	Asynchronous processing enabled

The following TMF daemon requests are supported:

<b>Request</b>	<b>Description</b>
<code>TR_CLV</code>	Closes the current tape volume
<code>TR_EOV</code>	Selects or deselects user end-of-volume (EOV) processing

TR_INFO	Returns TMF stream information
TR_PABS	Performs absolute positioning
TR_PBLKS	Performs block positioning
TR_PFMS	Performs file positioning
TR_PVOL	Performs volume positioning using an index
TR_PVSN	Performs volume positioning using a volume name
TR_RWD	Rewinds the tape file
TR_WFM	Writes a filemark

On synchronous requests, TMF returns the status of the request in the `reply` field, and a residual in the `residual` field. The reply status values are defined in the `/usr/include/tmf/tmferr.h` file. `TMFC_DMNREQ` and `TMFC_DMNREP` return the following `tmferr.h` values.

Value	Description
ETBOF	The beginning of the file was detected.
ETBOT	The beginning of the tape was detected.
ETBRQ	An invalid request was sent to the tape device.
ETEOD	The end of recorded data was detected.
ETEOF	The end-of-file was detected.
ETEOM	The end-of-media was detected.
ETFMNA	Filemark processing is not permitted.
ETFMS	The filemark was detected.
ETIVSN	An invalid VSN was specified.
ETLBL	An invalid label structure or sequence was used.
ETLOADF	A volume load failure occurred.
ETMEDIA	A media error occurred.
ETNDY	The device is not ready,
ETNOP	The device is not operational.
ETNVS	The VSN was not found.
ETOFF	An invalid VSN offset was specified.
ETRST	The device was reset.

ETUDE                                  An unrecoverable data error occurred.

The `residual` value is that portion of the request which did not complete. This field is valid only for block and file positioning requests and write filemark requests.

`TMFC_DMNREP` is used to obtain the status of a TMF daemon request that was issued asynchronously. The argument to the `TMFC_DMNREP` request is a pointer to the `tmfrep_t` data structure:

```
typedef struct tmfrep {
    int    reply;
    int    residual;
    int    datalen;
    void   *databuf;
} tmfrep_t;
```

For requests that return data, you set the following `tmfrep_t` values in the requests:

<b>Value</b>	<b>Description</b>
<code>databuf</code>	Pointer to a data buffer to which information gathered by TMF will be copied
<code>datalen</code>	Length of the data buffer

The `reply` and `residual` fields are returned by TMF and return the same values as in the `TMF_DMNREQ` request.

TMF supports the following types of requests:

- Positioning requests
- User end-of-volume (EOV) positioning requests
- Write filemark requests
- Information requests
- Positioning requests
- User end-of-volume (EOV) positioning requests
- Write filemark requests
- Information requests



### 4.3.1.3 Positioning Requests

The following requests control positioning:

- Rewind positioning
- Block positioning
- File positioning
- Absolute positioning
- Volume index positioning
- Volume name positioning

#### 4.3.1.3.1 Rewind Positioning

The rewind request positions a tape to the beginning of the current file as shown in Example 4-3.

##### Example 4-3 Synchronous Rewind Request

If the beginning of the file is on a volume which is not currently mounted, TMF mounts the correct volume before positioning to the beginning of file. If the file is a concatenated file, TMF positions to the beginning of the first file of the concatenated set. If this request is issued after a `write(2)` request, the volume is terminated before positioning the tape.

The argument to the rewind request is a pointer to the `tmfreqhdr_t` structure with the request code set to `TR_RWD`.

```
#include <errno.h>
#include <sys/fcntl.h>
#include <tmf/sys/tmfctl.h>

void
main( int argc, char **argv ) {

    tmfpblk_t  req;
    int fd;
    int c;

    /*
     * Open the TMF path.  "tmfpath" is the path name specified on
```

```

    *   the tmmnt command.
    */

fd = open( "tmfpath", O_RDWR );
if ( fd < 0 ) {
    printf( "Unable to open file tmfpath (errno = %d)\n",
           errno );
    exit(errno);
}

/*
 *   Create and send the TMF rewind request.
 */

req.request = TR_RWD;
req.async   = 0;
req.length  = 0;
req.reply   = 0;
c = ioctl( fd, TMFC_DMNREQ, &req );
if ( c < 0 ) {
    printf( "Unable to issue the TMF rewind request (errno=%d)\n",
           errno );
    exit(errno);
}

/*
 *   Check the status of the rewind request.
 */

if ( req.reply ) {
    printf( "Error %d on the TMF rewind request\n", req.reply);
    exit(EIO);
}
exit(0);
}

```

#### 4.3.1.3.2 Block Positioning

The block positioning request positions forward or backward by blocks.

Block positioning can span volumes for multivolume or concatenated files. TMF mounts the next volume in a volume set if the end-of-volume (EOV) is detected on forward positioning requests. Positioning then continues at the beginning of the file section on the next volume. TMF mounts the previous volume if the beginning-of-volume (BOV) is detected on a backward positioning request. Positioning then continues at the end of the file section on this volume.

Example 4-4 illustrates a synchronous block positioning request. If this request is issued after a `write(2)` request, the volume is terminated before positioning the tape.

#### Example 4-4 Synchronous Block Positioning Request

The argument to the block positioning request is a pointer to the `tmfpblk_t` structure with the request code set to `TR_PBLKS`. The `count` field of the `tmfpblk_t` structure specifies the number of blocks to position.

A positive count value, *N*, positions the tape forward. The tape is left positioned after the *N*th block on the end-of-tape (EOT) side of the block.

A negative count value, *N*, positions the tape backwards. The tape is left positioned on the beginning-of-tape (BOT) side of the *N*th block. A count value of zero, positions the tape backward one block and then forward one block, leaving the tape at the same position.

The error status is returned in the `reply` field of the `tmfreqhdr_t` or `tmfrep_t` structure. If one of the following error conditions is detected, block positioning is terminated and the error returned.

```
#include <errno.h>
#include <stdlib.h>
#include <sys/fcntl.h>
#include <tmf/sys/tmfctl.h>

void
main( int argc, char **argv ) {

    tmfpblk_t req;
    int fd;
    int c;

    /*
     * Open the TMF path. "tmfpath" is the path name specified on
     * the tmmnt command.
```

```
    */

fd = open( "tmfpath", O_RDWR );
if ( fd < 0 ) {
    printf( "Unable to open file tmfpath (errno = %d)\n", errno );
    exit(errno);
}

/*
 *   Create and send a request to position forward 5 blocks.
 */

req.rh.request = TR_PBLKS;
req.rh.length  = sizeof(tmfpblk_t) - sizeof(tmfreqhdr_t);
req.rh.async   = 0;
req.rh.reply   = 0;
req.rh.residual = 0;
req.count     = 5;
c = ioctl( fd, TMFC_DMNREQ, &req );
if ( c < 0 ) {
    printf("Unable to issue the block position request (errno=%d)\n",
          errno );
    exit(errno);
}

/*
 *   Check the status of the block positioning request.
 */

if ( req.rh.reply ) {
    printf("Error %d on the block position request\n", req.rh.reply );
    printf("%d blocks of the requested %d blocks were positioned\n",
          abs(req.count) - req.rh.residual, abs(req.count) );
    exit(EIO);
}
exit(0);
}
```

#### 4.3.1.3.3 File Positioning

The file positioning request positions forward or backward by filemarks.

File positioning can span volumes for multivolume or concatenated files. TMF mounts the next volume in a volume set if the end-of-volume (EOV) is detected on forward positioning requests. Positioning then continues at the beginning of the file section on the next volume. TMF mounts the previous volume if the beginning-of-volume is detected on a backward positioning request. Positioning then continues at the end of the file section on this volume.

If this request is issued after a `write(2)` request, the volume is terminated before positioning the tape.

To perform file positioning, you enable filemark processing with the `-T` option on the `tmmnt(1)` command.

Example 4-5 illustrates a synchronous file positioning request.

**Example 4-5** Synchronous File Positioning Request

The argument to the block positioning request is a pointer to the `tmfpfm_t` structure with the request code set to `TR_PFMS`. The `count` field of the `tmfpfm_t` structure specifies the number of files to position.

A positive `count` value, `N`, positions the tape forward. The tape is left positioned after the `N`th file on the end-of-tape (EOT) side of the filemark.

A negative `count` value, `N`, positions the tape backwards. The tape is left positioned on the beginning-of-tape (BOT) side of the `N`th filemark.

A `count` value of zero does not change the tape position.

```
#include <errno.h>
#include <stdlib.h>
#include <sys/fcntl.h>
#include <tmf/sys/tmfctl.h>

void
main( int argc, char **argv ) {

    tmfpfm_t req;
    int fd;
    intc;

    /*
     * Open the TMF path. "tmfpath" is the path name specified on
     * the tmmnt command.
```

```
    */

fd = open( "tmfpath", O_RDWR );
if ( fd < 0 ) {
    printf( "Unable to open file tmfpath (errno = %d)\n", errno );
    exit(errno);
}

/*
 * Create and send a request to position backward 7 filemarks.
 */

req.rh.request = TR_PFMS;
req.rh.length = sizeof(tmfpfm_t) - sizeof(tmfreqhdr_t);
req.rh.async = 0;
req.rh.reply = 0;
req.rh.residual = 0;
req.count = -7;
c = ioctl( fd, TMFC_DMNREQ, &req );
if ( c < 0 ) {
    printf("Unable to issue the file position request (errno=%d)\n",
          errno );
    exit(errno);
}

/*
 * Check the status of the file positioning request.
 */

if ( req.rh.reply ) {
    printf("Error %d on the file position request\n", req.rh.reply );
    printf("%d files of the requested %d files were positioned\n",
          abs(req.count) - req.rh.residual, abs(req.count) );
    exit(EIO);
}
exit(0);
}
```

#### 4.3.1.3.4 Absolute Positioning

The absolute positioning request moves the tape to a specified address. This request can only be performed by tape administrators.

If this request is issued after a `write(2)` request, the volume is terminated before positioning the tape.

Example 4-6 illustrates a synchronous absolute positioning request.

##### **Example 4-6** Synchronous Absolute Positioning Request

The argument to the absolute positioning request is a pointer to the `tmfpabs_t` structure with the request code set to `TR_PABS`. The `blkaddr` field of the `tmfpabs_t` structure specifies the address of the block to position to. You can obtain the address of a block with a `MTIOCGET` or `MTIOCGETTEXT` `ioctl` call (see Section 4.3.2.3, page 80). The address is returned in the `mt_blkno` field of these requests.

```
#include <errno.h>
#include <sys/fcntl.h>
#include <tmf/sys/tmfctl.h>

void
main( int argc, char **argv )
{
    tmfpabs_t req;
    intfd;
    intc;

    /*
     * Open the TMF path. "tmfpath" is the path name specified on
     * the tmmnt command.
     */

    fd = open( "tmfpath", O_RDWR );
    if ( fd < 0 ) {
        printf( "Unable to open file tmfpath (errno = %d)\n", errno );
        exit(errno);
    }

    /*
     * Create and send a request to position to the specified block.
     * The block location is obtained with the MTIOCGET or MTIOCGETTEXT
```

```
    *   ioctl.
    */

req.rh.request = TR_PABS;
req.rh.length  = sizeof(tmfpabs_t) - sizeof(tmfreqhdr_t);
req.rh.async   = 0;
req.rh.reply   = 0;
req.blkaddr    = block-address;
c = ioctl( fd, TMFC_DMNREQ, &req );
if ( c < 0 ) {
    printf("Unable to issue the absolute positioning request (errno=%d)\n",
           errno );
    exit(errno);
}

/*
 *   Check the status of the absolute positioning request.
 */

if ( req.rh.reply ) {
    printf("Error %d on the absolute positioning request\n",
           req.rh.reply );
    exit(EIO);
}
exit(0);
}
```

#### 4.3.1.3.5 Volume Index

The volume index positioning request positions to the beginning-of-volume (BOV) of the volume with the specified offset in the volume identifier list as shown in Example 4-7. It illustrates a synchronous volume positioning request using an index.

##### **Example 4-7** Synchronous Volume Positioning Request

The argument to the volume index positioning request is a pointer to the `tmfpvol_t` structure with the request code set to `TR_PVOL`. The `index` field of the `tmfpvol_t` structure specifies the index of the volume to position to. 1 specifies the first volume in the volume list, 2 specifies the second volume, and so on.



You specify the volume list with the `tmmnt(1)` command. In this example, if the volume list on the `tmmnt(1)` command is specified as follows, then an index of 4 positions to the beginning-of-volume 004143.

```
tmmnt -v 00410:004141:004142:004143 -l sl -p tmfpath ...
```

```
#include <errno.h>
#include <sys/fcntl.h>
#include <tmf/sys/tmfctl.h>

void
main( int argc, char **argv )
{
    tmfpvol_t req;
    int      fd;
    int      c;

    /*
     * Open the TMF path. "tmfpath" is the path name specified on
     * the tmmnt command.
     */

    fd = open( "tmfpath", O_RDWR );
    if ( fd < 0 ) {
        printf( "Unable to open file tmfpath (errno = %d)\n", errno );
        exit(errno);
    }

    /*
     * Create and send a request to position to the beginning of the
     * volume with an index of 2 in the volume list.
     */

    req.rh.request = TR_PVOL;
    req.rh.length  = sizeof(tmfpvol_t) - sizeof(tmfreqhdr_t);
    req.rh.async   = 0;
    req.rh.reply   = 0;
    req.index      = 2;
    c = ioctl( fd, TMFC_DMNREQ, &req );
    if ( c < 0 ) {
        printf("Unable to issue the volume positioning request (errno=%d)\n",
              errno );
    }
}
```

```
        exit(errno);
    }

    /*
     * Check the status of the volume positioning request.
     */

    if ( req.rh.reply ) {
        printf("Error %d on the volume positioning request\n",
               req.rh.reply );
        exit(EIO);
    }
}
```

#### 4.3.1.3.6 Volume Name

The volume name positioning request positions to the beginning-of-volume of the volume with the specified external volume identifier. Example 4-8 illustrates a synchronous volume positioning request using a volume identifier.

##### **Example 4-8** Synchronous Volume Positioning Request (Volume Identifier)

The argument to the volume index positioning request is a pointer to the `tmfpvsn_t` structure with the request code set to `TR_PVSN`. The `evsn` field of the `tmfpvsn_t` structure specifies the external volume identifier of the volume to position to. The `fvsn` field of the `tmfpvsn_t` structure specifies the format identifier of the volume to position to.

---

**Note:** The `fvsn` field is only applicable to devices which support format identifiers and support for these devices is deferred.

---

```
#include <errno.h>
#include <sys/fcntl.h>
#include <tmf/sys/tmfctl.h>

void
main( int argc, char **argv )
{
    tmfpvsn_t req;
    intfd;
    intc;
```

```
/*
 * Open the TMF path. "tmfpath" is the path name specified on
 * the tmmnt command.
 */

fd = open( "tmfpath", O_RDWR );
if ( fd < 0 ) {
    printf( "Unable to open file tmfpath (errno = %d)\n", errno );
    exit(errno);
}

/*
 * Create and send a request to position to the beginning of the
 * volume with the external volume identifier of "004141".
 */

req.rh.request = TR_PVSN;
req.rh.length = sizeof(tmfpvsn_t) - sizeof(tmfreqhdr_t);
req.rh.async = 0;
req.rh.reply = 0;
strcpy( req.evsn, "004141" );
c = ioctl( fd, TMFC_DMNREQ, &req );
if ( c < 0 ) {
    printf("Unable to issue the volume positioning request (errno=%d)\n",
          errno );
    exit(errno);
}

/*
 * Check the status of the volume positioning request.
 */

if ( req.rh.reply ) {
    printf("Error %d on the volume positioning request\n",
          req.rh.reply );
    exit(EIO);
}
exit(0);
}
```

#### 4.3.1.4 User End-of-Volume Processing Requests

User end-of-volume (EOV) processing allows a user to close a volume or gain control when the end-of-tape (EOT) or EOV is detected. The following are EOV processing requests:

- Selection and deselection
- Close volume

Example 4-9 illustrates a synchronous user EOV selection and deselection request as well as a close volume request.

##### 4.3.1.4.1 Selection and Deselection

The user end-of-volume (EOV) selection request controls when the EOT is detected on a `write(2)` request or when the EOV is detected on a `read(2)` request. The default action is to terminate the current volume and then mount the next volume when the EOT is detected or to mount the next volume when the EOV is detected.

Obtaining control at the EOT or EOV allows a user to determine how much data is written at the EOT by either reading back data or writing additional data, to terminate a volume with the user's own volume termination data, to write the user's own volume header information after the next volume is mounted, or to perform any other additional processing before the next volume is mounted.

##### 4.3.1.4.2 Close Volume

The close volume request closes the current volume and mounts the next volume of the volume set. If data was being output, the request terminates the current volume before mounting the next volume. If user EOV processing is selected and the EOT is detected before the close volume request is issued, the volume is terminated regardless of the type of I/O taking place between the EOT detection and the close volume request.

For example, if, after the EOT is detected, the tape is positioned backward five blocks before a close volume request is issued, the file is terminated at this point and the five blocks are lost.

**Example 4-9** EOV Selection and Deselection Request, and Close Request

The argument to the TMF user EOV selection or deselection request is a pointer to the `tmfeov_t` structure with the request code set to `TR_EOV`. The `select` field of the

tmfeov\_tstructure is set to a nonzero value to select user EOV processing and is set to zero to deselect user EOV processing.

The argument to the close volume request is a pointer to the tmfreqhdr\_t structure with the request code set to TR\_CLV.

```
#include <errno.h>
#include <stdlib.h>
#include <sys/fcntl.h>
#include <tmf/sys/tmfctl.h>

void
closev( int );
void
eov( int, int );
int wrttape( int, char *, int *, int * );

#define BUFSIZE 98304

void
main( int argc, char **argv ) {

    charbuf[BUFSIZE];
    int count=0
    int datalen;
    int fd, c, i;

    /*
     * Open the TMF path. "tmfpath" is the path name specified on
     * the tmmnt command.
     */

    fd = open( "tmfpath", O_RDWR );
    if ( fd < 0 ) {
        printf( "Unable to open file tmfpath (errno = %d)\n", errno);
        exit(errno);
    }

    /*
     * Create and send a request to select user end-of-volume processing.
     */
}
```

```
eov(fd,1);

/*
 * Write until EOT.
 */

while ( !wrttape( fd, buf, &count, &datalen ) );

/*
 * Complete the last block.
 */

if ( datalen ) {
    c = write( fd, buf+datalen, BUFSIZE-datalen );
    if ( c != BUFSIZE-datalen )
        exit(EIO);
}

/*
 * Close the volume.
 */

closev(fd);

/*
 * Deselect user end-of-volume processing.
 */

eov(fd,0);

/*
 * Output additional data on the next volume.
 */

for ( i=0; i , 5; i++ ) {
    wrttape( fd, buf, &count, &datalen );
}
exit(0);
}

/*
```

```
*   closev
*
*   Terminate the current volume and mount the next.
*
*/

void
closev( int fd ) {

    tmfreqhdr_t  req;
    int  c;

    req.request = TR_CLV;
    req.length  = 0;
    req.async   = 0;
    req.reply   = 0;
    c = ioctl( fd, TMFC_DMNREQ, &req );
    if ( c < 0 ) {
        printf( "Unable to issue the close volume request (errno=%d)\n",
                errno );

        exit(errno);
    }

    /*
     *   Check the status of the close volume request.
     */

    if ( req.reply ) {
        printf( "Error %d on the close volume request\n", req.reply );
        exit(EIO);
    }
}

/*
 *   eov
 *
 *   Select or deselect user end-of-volume processing.
 *
*/

void
```

```
eov( int fd, int value ) {
    tmfeov_t req;
    int c;

    req.rh.request = TR_EOV;
    req.rh.length = sizeof(tmfeov_t) - sizeof(tmfreqhdr_t);
    req.rh.async = 0;
    req.rh.reply = 0;
    req.select = value;
    c = ioctl( fd, TMFC_DMNREQ, &req );
    if ( c < 0 ) {
        printf( "Unable to issue the eov request (errno=%d)\n", errno );
        exit(errno);
    }

    /*
     * Check the status of the eov request.
     */

    if ( req.rh.reply ) {
        printf( 'Error %d on the eov request\n', req.rh.reply );
        exit(EIO);
    }
}

/* wrttape
 *
 * Returns;
 * 0      No error
 * 1      EOT
 */

int
wrttape( int fd, char *buf, int *count, int *datalen ) {

    char *bp = buf;
    int *bpw = (int *)buf;
    int nbytes, len;

    len = BUFSIZE;
```



```

    bpw[0] = *count;
    while ( len ) {
        nbytes = write( fd, bp, len );
        if ( nbytes < 0 ) {

/* Error on write */

            if ( errno == ENOSPC )
                return(1);

                /* At End-of-Tape */

            printf( "Unrecoverable write error (errno = %d)\n", errno );
            exit(1);
        }
        *datalen = len - nbytes;
        bp += nbytes;
        len -= nbytes;
    }
    (*count)++;
    return(0);
}

```

#### 4.3.1.5 Write Filemark Requests

The write filemark requests allow you to output one or more filemarks to tape. You enable filemark writes with the `-T` option on the `tmfmt(1)` command. Example 4-10 illustrates a synchronous write filemark request.

##### **Example 4-10** Synchronous Write Filemark Request

The argument to a write filemark request is a pointer to the `tmfwfm_t` structure with the request code set to `TR_WFM`. The `count` field of the `tmfwfm_t` structure specifies the number of filemarks to write.

```

#include <errno.h>
#include <sys/fcntl.h>
#include <tmf/sys/tmfctl.h>

void
main( int argc, char **argv )
{

```

```
tmfwfm_t req;
intfd;
intc;

/*
 * Open the TMF path. "tmfpath" is the path name specified on
 * the tmmnt command.
 */

fd = open( "tmfpath", O_RDWR );
if ( fd < 0 ) {
    printf( "Unable to open file tmfpath (errno = %d)\n", errno );
    exit(errno);
}

/*
 * Create and send a request to write 2 filemarks.
 */

req.rh.request = TR_WFM;
req.rh.length = sizeof(tmfwfm_t) - sizeof(tmfreqhdr_t);
req.rh.async = 0;
req.rh.reply = 0;
req.rh.residual = 0;
req.count = 2;
c = ioctl( fd, TMFC_DMNREQ, &req );
if ( c < 0 ) {
    printf("Unable to issue the write filemark request (errno=%d)\n",
          errno );
    exit(errno);
}

/*
 * Check the status of the write filemark request.
 */

if ( req.rh.reply ) {
    printf("Error %d on the write filemark request\n", req.rh.reply );
    printf("%d filemarks of the requested %d filemarks were written\n",
          req.count - req.rh.residual, req.count );
    exit(EIO);
}
```

```

}

exit(0);
}

```

#### 4.3.1.6 Information Requests

The information requests return tape stream information. These requests return information such as the current block size, maximum block size, label type, device type, device name, current VSN, file expiration date, VSN list, and the last device function and status.

The argument to an information request is a pointer to the `tmfinfo_t` structure with the request code set to `TR_INFO`. The details differ for synchronous and asynchronous requests:

TMF returns the stream information data in the `tsdata_t` structure followed by a list of 8 character volume names. `tsdata_t` is defined in the `/usr/include/tmf/tmfreq.h` include file; this structure contains the following fields:

Field	Description												
<code>ts_ba</code>	Block attribute of the tape dataset. On new files, you define this value with the <code>-F</code> option on the <code>tmmnt(1)</code> command. On old files, you obtain this value from the tape label. The following are valid values: <table border="1"> <thead> <tr> <th>Value</th> <th>Description</th> </tr> </thead> <tbody> <tr> <td>B</td> <td>Blocked</td> </tr> <tr> <td>S</td> <td>Spanned, for variable-length records</td> </tr> <tr> <td>S</td> <td>Standard, for fixed-length records</td> </tr> <tr> <td>R</td> <td>Blocked and spanned records, if variable length</td> </tr> <tr> <td>R</td> <td>Blocked and standard records, if fixed length</td> </tr> </tbody> </table>	Value	Description	B	Blocked	S	Spanned, for variable-length records	S	Standard, for fixed-length records	R	Blocked and spanned records, if variable length	R	Blocked and standard records, if fixed length
Value	Description												
B	Blocked												
S	Spanned, for variable-length records												
S	Standard, for fixed-length records												
R	Blocked and spanned records, if variable length												
R	Blocked and standard records, if fixed length												
<code>ts_block</code>	File block number. This value includes user filemarks as well as blocks. If absolute positioning takes place, this value is no longer valid.												

ts_blocksize	File block size. This value is valid only for fixed block-length files.
ts_bnum	Block number relative to the last user filemark written.
ts_cvsn	Index in the volume identifier list of the current volume. 0 is the first volume in the volume list; 1 is the second volume and so on.
ts_day	Current day in the year. Valid values are 1 through 366.
ts_den	Requested density value. The following are valid values:

Value	Description
DEN_800	800 bpi
DEN_1600	1600 bpi
DEN_3200	3200 bpi
DEN_4000	4000 bpi
DEN_7000	7000 bpi
DEN_8200	8200 bpi
DEN_8500	8500 bpi

ts_dev	Major or minor device number of the assigned tape device.
ts_dgn	Resource name of the assigned device.
ts_dst	Last device status represented by a set of flags. The following device status flags are in the <code>/usr/include/sys/tpsc.h</code> file:

Flag	Description
CT_EOM	At end-of-media.
CT_BOT	At beginning-of-tape (BOT).
CT_WRP	Write protected volume.
CT_EW	At end-of-tape.
CT_GETBLKLEN	Block length request is pending.

	CT_MOTION	Last command moved the tape.
	CT_ONL	Device is online.
	CT_QIC24	Low density tape on Viper 150 device.
	CT_QIC120	High density tape on Viper 150 device.
	CT_OPEN	Tape device is open.
	CT_READ	Last tape movement request was a read(2) request.
	CT_WRITE	Last tape movement request was a write(2) request.
	CT_CHG	Unit attention occurred
	CT_DIDIO	A tape movement request has been done since the device is open.
	CT_EOD	At end of recorded data.
	CT_FM	At filemark.
ts_dty	Type of the assigned device. Valid device types are defined in the <code>/usr/include/sys/invent.h</code> file beginning with the <code>TPUNKNOW</code> value.	
ts_dvn	Name of the assigned device.	
ts_eov	User end-of-volume selection state. The following are valid values:	
	<b>Value</b>	<b>Description</b>
	0	User end-of-processing is not selected.
	1	User end-of-processing is selected.
ts_eovproc	User end-of-volume processing state. The following are valid values:	

<b>Value</b>	<b>Description</b>
0	No user end-of-processing.
1	In user end-of-processing; that is, the EOT or EOJ was detected, and a new volume has not yet been mounted.

ts\_erreg

Last device error status. The device status flags can be found in the `/usr/include/sys/tpsc.h` file.

The `ts_erreg[0]` error status is represented by the upper 16 bits of the following flags:

<b>Flag</b>	<b>Description</b>
CT_NEEDBOT	Positioning is required before I/O.
CT_LOADED	Tape has been loaded.
CT_ANSI	I/O is permitted after EOT.
CT_SMK	Drive is at a setmark.
CT_AUDIO	Drive is in audio mode.
CT_AUD_MED	Media is recorded in audio format.
CT_MULTPART	Multi-partitioned volume is loaded.
CT_SEEKING	Seek request is pending.
CT_HITFMSHORT	Filemark was detected, but the status has not yet been returned to the user.
CT_INCOMPAT_MEDIA	Media is incompatible with the device.
CT_CLEANHEADS	Device needs to be cleaned.
CT_COMPRESS	Device is in compression mode.
CT_MEDIA_ERR	Media error has been detected.

CT_EOD	At end of recorded data.
CT_FM	At filemark.

The `ts_erreg[1]` error status is represented by the upper 16 bits of the following flags:

Flag	Description
CT_BAD_REQT	An invalid request was issued to the device.
CT_LARGE_BLK	The block on tape is larger than the requested read byte count.
CT_LOAD_ERR	Volume load failed.
CT_HWERR	Hardware error occurred.
CT_NOT_READY	Device is not ready.
CT_BLKLEN	Actual recorded block size differs from the set size.

The remaining `ts_erreg` statuses are undefined.

`ts_fcn`

Last user request issued. The following user request codes are defined in the `/usr/include/sys/mtio.h` file:

Code	Description
MTR_READ	<code>read(2)</code> request
MTR_WRITE	<code>write(2)</code> request
MTR_WFM	Write filemark(s)
MTR_SRB	Skip records backward
MTR_SRF	Skip records forward
MTR_SFB	Skip filemarks backward
MTR_SFF	Skip filemarks forward
MTR_SEOD	Space to the end-of-data
MTR_SEOM	Space to the end-of-media

	MTR_FORMAT	Volume format
	MTR_PART	Position to a partition
	MTR_SSM	Skip filemarks
	MTR_WSM	Write filemarks
	MTR_MODEAUD	Enable or disable audio mode
	MTR_REW	Rewind
	MTR_ERASE	Erase from current position to the EOT
	MTR_RETEN	Retention
	MTR_UNLOAD	Unload
	MTR_PABS	Position to an absolute address
	MTR_PAUDIO	Audio position
	MTR_GAUDIO	Get audio position
	MTR_RDLOG	Read log
	MTR_ATTR	Set attribute
	MTR_SPOS	Set vendor specific position
	MTR_GPOS	Get vendor specific position
ts_ffseq		File sequence number of first file on a volume. 1 is the first file of a volume set, 2, the second, and so on.
ts_fid		File identifier.
ts_first		Index of a volume in the volume identifier list of the volume in which a file begins. 1 is the first volume in the volume identifier list.



<code>ts_fmdir</code>	Direction from the last user filemark. The following are valid values:																
	<table> <thead> <tr> <th>Value</th> <th>Description</th> </tr> </thead> <tbody> <tr> <td>0</td> <td>After filemark</td> </tr> <tr> <td>1</td> <td>Before filemark</td> </tr> </tbody> </table>	Value	Description	0	After filemark	1	Before filemark										
Value	Description																
0	After filemark																
1	Before filemark																
<code>ts_fsec</code>	File section number, that is, the number of the volume of the dataset. 1 is the first volume of the volume set.																
<code>ts_fseq</code>	File sequence number. 1 is the first file residing on the volume set.																
<code>ts_fst</code>	File status. The following are valid values:																
	<table> <thead> <tr> <th>Value</th> <th>Description</th> </tr> </thead> <tbody> <tr> <td>FST_NEW</td> <td>New file status</td> </tr> <tr> <td>FST_OLD</td> <td>Old file status</td> </tr> <tr> <td>FST_APP</td> <td>Append file status</td> </tr> </tbody> </table>	Value	Description	FST_NEW	New file status	FST_OLD	Old file status	FST_APP	Append file status								
Value	Description																
FST_NEW	New file status																
FST_OLD	Old file status																
FST_APP	Append file status																
<code>ts_h1</code>	HDR1 label.																
<code>ts_h2</code>	HDR2 label.																
<code>ts_lb</code>	Label type. The following are valid values:																
	<table> <thead> <tr> <th>Value</th> <th>Description</th> </tr> </thead> <tbody> <tr> <td>LBL_NS</td> <td>Label type is not specified on the <code>tmmnt(1)</code> command.</td> </tr> <tr> <td>LBL_NL</td> <td>Nonlabeled.</td> </tr> <tr> <td>LBL_AL</td> <td>ANSI labeled tape.</td> </tr> <tr> <td>LBL_SL</td> <td>IBM standard label.</td> </tr> <tr> <td>LBL_BLP</td> <td>Bypass label processing.</td> </tr> <tr> <td>FST_ST</td> <td>Single filemark format.</td> </tr> <tr> <td>FST_ULP</td> <td>User label processing.</td> </tr> </tbody> </table>	Value	Description	LBL_NS	Label type is not specified on the <code>tmmnt(1)</code> command.	LBL_NL	Nonlabeled.	LBL_AL	ANSI labeled tape.	LBL_SL	IBM standard label.	LBL_BLP	Bypass label processing.	FST_ST	Single filemark format.	FST_ULP	User label processing.
Value	Description																
LBL_NS	Label type is not specified on the <code>tmmnt(1)</code> command.																
LBL_NL	Nonlabeled.																
LBL_AL	ANSI labeled tape.																
LBL_SL	IBM standard label.																
LBL_BLP	Bypass label processing.																
FST_ST	Single filemark format.																
FST_ULP	User label processing.																
<code>ts_mbs</code>	Maximum block size.																
<code>ts_numvsn</code>	Number of volumes in a volume set.																

ts_ord	Stream ordinal.										
ts_path	Stream path.										
ts_rf	Record format of the tape dataset. On new files, you define this value with the <code>-F</code> option on the <code>tmmnt(1)</code> command. On old files, you obtain it from the tape label. The following are valid values:										
	<table border="0"> <thead> <tr> <th style="text-align: left;">Value</th> <th style="text-align: left;">Description</th> </tr> </thead> <tbody> <tr> <td>D</td> <td>Variable length</td> </tr> <tr> <td>F</td> <td>Fixed length</td> </tr> <tr> <td>S</td> <td>Spanned</td> </tr> <tr> <td>U</td> <td>Undefined length</td> </tr> </tbody> </table>	Value	Description	D	Variable length	F	Fixed length	S	Spanned	U	Undefined length
Value	Description										
D	Variable length										
F	Fixed length										
S	Spanned										
U	Undefined length										
ts_ring	Write ring status. The following are valid values:										
	<table border="0"> <thead> <tr> <th style="text-align: left;">Value</th> <th style="text-align: left;">Description</th> </tr> </thead> <tbody> <tr> <td>0</td> <td>Ring out</td> </tr> <tr> <td>1</td> <td>Ring in</td> </tr> </tbody> </table>	Value	Description	0	Ring out	1	Ring in				
Value	Description										
0	Ring out										
1	Ring in										
ts_rl	Record length is defined with the <code>-L</code> option on the <code>tmmnt(1)</code> command.										
ts_urwfm	Set if user read or write of filemarks is permitted.										
ts_vl	VOL1 label.										
ts_vsnoff	Offset to the VSN list from the beginning of the <code>tsdata</code> structure.										
ts_xday	File expiration day. Valid values are 1 through 366.										
ts_xyear	File expiration year. Valid values are 00 through 99.										
ts_year	Current year. Valid values are 00 through 99.										

Example 4-11 illustrates a synchronous information request.

**Example 4-11** Synchronous Information Request

```
include # <errno.h>
#include <sys/fcntl.h>
#include <tmf/sys/tmfctl.h>
#include <tmf/tmfreq.h>
```

```
void
main( int argc, char **argv )
{

    tmfinfo_t req;
    tsdata_t *ts;
    cha      *vsnp;
    int      fd;
    int      c;
    int      i;

    /*
     * Open the TMF path. "tmfpath" is the path name specified on
     * the tmmnt command.
     */

    fd = open( "tmfpath", O_RDWR );
    if ( fd < 0 ) {
        printf( "Unable to open file tmfpath (errno = %d)\n", errno );
        exit(errno);
    }

    /*
     * Create and send a request for tape stream information.
     */

    req.rh.request = TR_INFO;
    req.rh.length  = sizeof(tmfinfo_t) - sizeof(tmfreqhdr_t);
    req.rh.async   = 0;
    req.rh.reply   = 0;
    req.datalen   = sizeof(tsdata_t) + MAXVSN * L_MAXVSN;
    req.databuf    = (void *)calloc( 1, req.datalen );
    c = ioctl( fd, TMFC_DMNREQ, &req );
    if ( c < 0 ) {
        printf("Unable to issue an information request (errno=%d)\n",
              errno );
        exit(errno);
    }

    /*
```

```
    *   Check the status of the stream information request.
    */

if ( req.rh.reply ) {
    printf("Error %d on the stream information request\n",
        req.rh.reply );
    exit(EIO);
}

/*
 *   Output selected fields from the returned information.
 */

ts = (tsdata_t *)req.databuf;
printf( "Stream Ordinal ..... %d\n",    ts->ts_ord    );
printf( "Stream Path ..... %s\n",      ts->ts_path   );
printf( "File Identifier ..... %s\n",   ts->ts_fid    );
printf( "Device Name ..... %s\n",      ts->ts_dvn   );
printf( "Device Type ..... %d\n",      ts->ts_dty   );
printf( "Label Type ..... %d\n",       ts->ts_lb    );
printf( "Maximum Block Size .... %d\n", ts->ts_mbs   );
printf( "Number of VSNS ..... %d\n",   ts->ts_numvsn );

vsnp = (char *)req.databuf + ts->ts_vsnoff;
printf( "VSN List\n");
for ( i=0; i < ts->ts_numvsn; i++, vsnp+=L_MAXVSN ) {
    printf(" %s\n", vsnp );
}

exit(0);
}
```

### 4.3.2 mtio.h ioctl Requests

TMF supports the tape `ioctl(2)` requests defined in the `/usr/include/sys/mtio.h` file, which do not involve tape movement or the setting of certain attributes that must be controlled by TMF. It supports eight of these `mtio.h` requests:

Request	Description
MTCAPABILITY	Returns the device type and capabilities for a device
MTIOCGETBLKINFO	Returns device block size information: the minimum, maximum, current, and recommended block size
MTIOCGETEXT	Returns tape status
MTIOCGETEXTL	Returns the last tape status
MTSCI_RDLOG	Returns statistical information maintained by a device
MTSCISI_SENSE	Returns the sense data from the last device command that terminated with a SCSI Check Condition or Command Terminated status
MTSCSIINQ	Returns device parameter information
MTSPECOP	Sets the block size for fixed-length I/O

#### 4.3.2.1 MTCAPABILITY

The MTCAPABILITY ioctl request returns the device type and capabilities for a device. The argument to this request is a pointer to the `mt_capability` structure defined in the `/usr/include/sys/mtio.h` file.

On the reply, the `mt_subtype` field returns the device type. Valid device types are defined in the `/usr/include/sys/invent.h` file beginning with value `TPUNKNOWN`. The `mt_capability` field returns the set of capabilities for a device. The capabilities are a set of flags, the `MTCAN*` status flags, which are also defined in the `/usr/include/sys/mtio.h` file.

#### 4.3.2.2 MTIOCGETBLKINFO

The MTIOCGETBLKINFO ioctl request returns device block size information: the minimum, maximum, current, and recommended block size. The argument to this request is a pointer to the `mtblkinfo` structure, which is defined in the `/usr/include/sys/mtio.h` file.

### 4.3.2.3 MTIOCGET

The `MTIOCGET` `ioctl` request returns tape status. The argument to this request is a pointer to the `mtget` structure. The `MTIOCGET` `ioctl` returns the following values:

<b>Field</b>	<b>Description</b>																
<code>mt_type</code>	Controller type. This value is always <code>MT_ISSCI</code> .																
<code>mt_dposn</code>	Tape position status. The following state flags are in the <code>/usr/include/sys/mtio.h</code> file: <table border="0" style="margin-left: 2em;"> <thead> <tr> <th style="text-align: left;"><b>Flag</b></th> <th style="text-align: left;"><b>Description</b></th> </tr> </thead> <tbody> <tr> <td><code>MT_EOM</code></td> <td>At end-of-media.</td> </tr> <tr> <td><code>MT_BOT</code></td> <td>At beginning-of-tape (BOT).</td> </tr> <tr> <td><code>MT_WPROT</code></td> <td>Write protected volume.</td> </tr> <tr> <td><code>MT_EW</code></td> <td>At end-of-tape.</td> </tr> <tr> <td><code>MT_ONL</code></td> <td>Device is online.</td> </tr> <tr> <td><code>MT_EOD</code></td> <td>At end of recorded data.</td> </tr> <tr> <td><code>MT_FMK</code></td> <td>At filemark.</td> </tr> </tbody> </table>	<b>Flag</b>	<b>Description</b>	<code>MT_EOM</code>	At end-of-media.	<code>MT_BOT</code>	At beginning-of-tape (BOT).	<code>MT_WPROT</code>	Write protected volume.	<code>MT_EW</code>	At end-of-tape.	<code>MT_ONL</code>	Device is online.	<code>MT_EOD</code>	At end of recorded data.	<code>MT_FMK</code>	At filemark.
<b>Flag</b>	<b>Description</b>																
<code>MT_EOM</code>	At end-of-media.																
<code>MT_BOT</code>	At beginning-of-tape (BOT).																
<code>MT_WPROT</code>	Write protected volume.																
<code>MT_EW</code>	At end-of-tape.																
<code>MT_ONL</code>	Device is online.																
<code>MT_EOD</code>	At end of recorded data.																
<code>MT_FMK</code>	At filemark.																
<code>mt_dsreg</code>	Last device status represented by a set of flags. The device status flags are in the <code>/usr/include/sys/tpsc.h</code> file: <table border="0" style="margin-left: 2em;"> <thead> <tr> <th style="text-align: left;"><b>Flag</b></th> <th style="text-align: left;"><b>Description</b></th> </tr> </thead> <tbody> <tr> <td><code>CT_EOM</code></td> <td>At end-of-media.</td> </tr> <tr> <td><code>CT_BOT</code></td> <td>At beginning-of-tape (BOT).</td> </tr> <tr> <td><code>CT_WRP</code></td> <td>Write protected volume.</td> </tr> <tr> <td><code>CT_EW</code></td> <td>At end-of-tape (EOT).</td> </tr> <tr> <td><code>CT_GETBLKLEN</code></td> <td>Block length request is pending.</td> </tr> <tr> <td><code>CT_MOTION</code></td> <td>Last command moved the tape.</td> </tr> </tbody> </table>	<b>Flag</b>	<b>Description</b>	<code>CT_EOM</code>	At end-of-media.	<code>CT_BOT</code>	At beginning-of-tape (BOT).	<code>CT_WRP</code>	Write protected volume.	<code>CT_EW</code>	At end-of-tape (EOT).	<code>CT_GETBLKLEN</code>	Block length request is pending.	<code>CT_MOTION</code>	Last command moved the tape.		
<b>Flag</b>	<b>Description</b>																
<code>CT_EOM</code>	At end-of-media.																
<code>CT_BOT</code>	At beginning-of-tape (BOT).																
<code>CT_WRP</code>	Write protected volume.																
<code>CT_EW</code>	At end-of-tape (EOT).																
<code>CT_GETBLKLEN</code>	Block length request is pending.																
<code>CT_MOTION</code>	Last command moved the tape.																

	CT_ONL	Device is online.
	CT_QIC24	Low density tape is on Viper 150 device.
	CT_QIC120	High density tape is on Viper 150 device.
	CT_OPEN	Tape device is open.
	CT_READ	Last tape movement request was a <code>read(2)</code> request.
	CT_WRITE	Last tape movement request was a <code>write(2)</code> request.
	CT_CHG	Unit attention occurred.
	CT_DIDIO	Tape movement request has been done since device open.
	CT_BOD	At end of recorded data.
	CT_FM	At filemark.
mt_erreg	Last device error status. The device status flags are in the <code>/usr/include/sys/tpsc.h</code> file:	
	<b>Flag</b>	<b>Description</b>
	CT_NEEDBOT	Positioning is required before I/O.
	CT_LOADER	Tape has been loaded.
	CT_ANSI	I/O after end-of-tape (EOT) is permitted.
	CT_SMK	Drive is at a setmark.
	CT_AUDIO	Drive is in audio mode.
	CT_AUD_MED	Media is recorded in audio format.
	CT_MULTPART	Multi-partitioned volume is loaded.

	CT_SEEKING	Seek request is pending.
	CT_HITFMSHORT	Filemark was detected, but the status has not yet been returned to the user.
	CT_INCOMPAT_MEDIA	Media is incompatible with the device.
	CT_CLEANHEADS	Device needs to be cleaned.
	CT_COMPRESS	Device is in compression mode.
	CT_MEDIA_ERR	Media error has been detected.
	CT_EOD	At end of recorded data.
mt_resid	Partition number.	
mt_fileno	Not supported.	
mt_blkno	Block number (returned from the device).	

#### 4.3.2.4 MTIOCGETEXT

The `MTIOCGETEXT` `ioctl` returns the tape status. The argument to this request is a pointer to the `mtgetext` structure. The `MTIOCGETEXT` `ioctl` returns the following values:

Field	Description
<code>mt_type</code>	Controller type. This value is always <code>MT_ISSCI</code> .
<code>mt_dposn</code>	Tape position status. The status flags are in the <code>/usr/include/sys/mtio.h</code> file. See Section 4.3.2.3, page 80, for a list of the <code>mt_dposn</code> values.
<code>mt_dsreg</code>	Last device status represented by a set of flags. The device status flags are in the <code>/usr/include/sys/tpsc.h</code> file. See Section 4.3.2.3, page 80, for a list of the <code>mt_dposn</code> values.



mt\_erreg

Last device error status. The device status flags can be found in the `/usr/include/sys/tpsc.h` file.

The `ts_erreg[0]` error status is represented by the upper 16 bits of the following status flags:

<b>Flag</b>	<b>Description</b>
CT_NEEDBOT	Positioning is required before I/O.
CT_LOADER	Tape has been loaded.
CT_ANSI	I/O after end-of-tape (EOT) is permitted.
CT_SMK	Drive is at a setmark.
CT_AUDIO	Drive is in audio mode.
CT_AUD_MED	Media is recorded in audio format.
CT_MULTPART	Multi-partitioned volume is loaded.
CT_SEEKING	Seek request is pending.
CT_HITFMSHORT	Filemark was detected, but the status has not yet been returned to the user.
CT_INCOMPAT_MEDIA	Media is incompatible with the device.
CT_CLEANHEADS	Device needs to be cleaned.
CT_COMPRESS	Device is in compression mode.
CT_MEDIA_ERR	Media error has been detected.
CT_EOD	At end of recorded data.

The `ts_erreg[1]` error status is represented by the status following flags:

	<b>Flag</b>	<b>Description</b>
	CT_BAD_REQT	An invalid request was issued to the device.
	CT_LARGE_LBLK	The block on tape is larger than the requested read byte count.
	CT_LOAD_ERR	Volume load failed.
	CT_HWERR	Hardware error occurred.
	CT_NOT_READY	Device is not ready.
	CT_BLKLEN	Actual recorded block size differs from the set size.
	The remaining <code>ts_erreg</code> statuses are undefined.	
<code>mt_resid</code>		Difference between what was requested and what has completed, in bytes or blocks depending on the command.
<code>mt_fileno</code>		Not supported.
<code>mt_blkno</code>		Block address (returned from the device).
<code>mt_partno</code>		Partition number for those devices supporting partitions.
<code>mt_cblkno</code>		Block number calculated by the driver. This value includes filemarks as well as blocks and becomes invalid if absolute positioning occurs.
<code>mt_lastreq</code>		Last user request issued. The user request codes are defined in the <code>/usr/include/sys/mtio.h</code> file:

<b>Flag</b>	<b>Description</b>
MTR_READ	<code>read(2)</code> request
MTR_WRITE	<code>write(2)</code> request
MTR_WFM	Write filemark(s)
MTR_SRB	Skip records backward
MTR_SRF	Skip records forward

	MTR_SFB	Skip filemarks backwards
	MTR_SFF	Skip filemarks forward
	MTR_SEOD	Space to the end-of-data
	MTR_SEOM	Space to the end-of-media
	MTR_FORMAT	Volume format
	MTR_PART	Position to a partition
	MTR_SSM	Skip setmarks
	MTR_WSM	Write setmarks
	MTR_MODEAUD	Enable or disable audio mode
	MTR_REW	Rewind
	MTR_ERASE	Erase from current position to the EOT
	MTR_RETEN	Retention
	MTR_UNLOAD	Unload
	MTR_PABS	Position to an absolute address
	MTR_PAUDIO	Audio position
	MTR_GAUDIO	Get audio position
	MTR_RDLOG	Read log
	MTR_ATTR	Set attribute
	MTR_SPOS	Set vendor specific position
	MTR_GPOS	Get vendor specific position
mt_ilimode		State of illegal length mode reporting for variable-block I/O. If mt_ilimode is set and a read(2) request is less than the size of the block on tape, an error is returned.
mt_buffmode		State of filemark buffering. If mt_buffmode is set, filemarks are buffered.

<code>mt_subtype</code>	Device type. Valid device types are defined in the <code>/usr/include/sys/invent.h</code> file beginning with the <code>TPUNKNOW</code> N value.
<code>mt_capability</code>	Device capabilities. The capabilities are set of flags, the <code>MTCAN*</code> status flags, which are defined in the <code>/usr/include/sys/mtio.h</code> file.

#### 4.3.2.5 MTIOCGETEXTL

The `MTIOCGETEXTL` `ioctl` request returns the last tape status. The argument to this request is a pointer to the `mtgetext` structure. The `MTIOCGETEXTL` `ioctl` request returns the same information as the `MTIOCGETEXT` `ioctl` request. It differs from the `MTIOCGETEXT` `ioctl` request in that it does not seek updated status information from the device.

#### 4.3.2.6 MTSCI\_RDLOG

The `MTSCI_RDLOG` `ioctl` request returns statistical information maintained by a device. The argument to this request is a pointer to the `mtscsi_rdlog` structure. The following values are set on the request:

Field	Description
<code>mtppc</code>	Parameter pointer control
<code>mtsp</code>	Save parameters
<code>mtpc</code>	Page control
<code>mtpage</code>	Page code of the requested page
<code>mtparam</code>	Parameter from which to begin transferring information
<code>mtlen</code>	Size of the buffer to receive the device log
<code>mtarg</code>	Pointer to a buffer to receive the device log

For a more detailed explanation of the `mtppc`, `mtsp`, `mtpage`, and `mtparam` fields, see the device product manual for the device from which log information is required.

#### 4.3.2.7 MTSCISI\_SENSE

The `MTSCISI_SENSE` `ioctl` request returns the sense data from the last device command that terminated with a SCSI Check Condition or Command Terminated

status. The argument to this request is a pointer to a buffer large enough to receive the sense data, at least `MAX_SENSE_DATA` bytes. `MAX_SENSE_DATA` is defined in the `/usr/include/sys/tpsc.h` file. For an explanation of the sense data, see the device product manual for the device from which the sense information is required.

#### 4.3.2.8 `MTSCSIINQ`

The `MTSCSIINQ` `ioctl` request returns device parameter information, such as the vendor identification, product identification, and revision level. The argument to this request is a pointer to a buffer large enough to receive the inquiry information, at least as large as the `ct_going_data_t` structure, defined in the `/usr/include/sys/tpsc.h` file. For an explanation of the inquiry data, see the device product manual for the device from which the device information is required.

#### 4.3.2.9 `MTSPECOP`

The `MTSPECOP` `ioctl` request sets the block size for fixed-length I/O. You request fixed-length I/O with the `-B` option on the `tmmnt(1)` command. The argument to the `MTSPECOP` `ioctl` request is a pointer to the `mtop` structure. The `mt_op` field must be set to `MTSCSI_SETFIXED` and `mt_count` to the block size.



## Interpreting System Messages

This appendix lists and describes the system messages, error or informative, that you may encounter while you are working with Tape Management Facility (TMF). These system messages are found in either the `tape.msg` file or your standard output file. For system messages indicating that a TMF error has occurred, contact your system administrator. For internal problems, contact your system support staff.

Each message description is followed by a label that signifies the message recipient. The following labels are used with TMF system messages:

USER	Individual (end user) using TMF to manage tapes
ADM	TMF administrator
USER/ADM	Individual (end user) or TMF administrator

TM000 -- Tape resource(s) have been reserved for you  
Tape resources have been reserved for you by means of the `tmrsv(1)` command. – USER

TM001 -- Unable to open `pipe_desc` pipe `pathname` (`errno = errno`)  
TMF was unable to open the `pathname` pipe; the error returned is `errno`. This message may indicate that TMF is not running. – ADM

TM002 -- Unable to write to `path_desc` `pathname` (`errno = errno`)  
A `write(2)` request to a file or pipe of type, `path_desc`, the `pathname` path name failed; the error returned is `errno`. – ADM

TM003 -- Resource `group_name` is not available  
The requested number of resources, belonging to the `group_name` resource group, are not available. – USER

TM004 -- The `group_name` resource count, `count`, is invalid  
The amount `count` of available resources of the `group_name` type, which is maintained by TMF, is invalid. This indicates an error in TMF. – ADM

TM005 -- Exceeded the limit on the number of tape devices which can be specified, `limit`

The number of devices specified in the `tmrls(1)` command exceeds the maximum, *limit*, allowed. – USER

TM006 -- An invalid request was sent to the Tape Management Facility

An invalid request was made to the Tape Management Facility. This indicates an error in TMF. – ADM

TM007 -- The specified device does not support volume partitioning.

A partition number was specified on a command issued for a device which does not support volume partitions. Reissue the command without the partition number or issue the command to a device supporting partitions. – USER

TM008 -- Should volume *vsu* on device *device* switch from *label\_type1* to *label\_type2* for user *userid*? reply y/n

The administrator must specify whether the tape named *vsu* on *device* may be switched from *label\_type1* to *label\_type2* for user *userid*. The administrator replies **y** for “yes” or **n** for “no”. – USER/ADM

TM009 -- Unable to clear the abnormal status flag in the TMF driver (`errno = errno`)

A TMF stream process was unable to acknowledge an error detected by the TMF driver. – ADM

TM010 -- Exceeded the limit of *group\_name* resources which may be used

The use of the *group\_name* resource was requested with the `tmmnt(1)` command, but the request was denied because the user is at the user’s limit for resources of this type. The limit was established with the `tmrsv(1)` command, and you can obtain the current status with the `tmrst(1)` command. – USER

TM011 -- Enter the VSN for the volume mounted on device *device\_name*  
You must specify the volume identifier of the volume on the *device\_name* device. – ADM

TM012 -- Unable to obtain memory for *variable*

TMF could not acquire memory for the *variable* variable. This indicates an error in the TMF. When this message is issued, TMF will exit. The administrator should collect the trace files for examination by software product support. – ADM



TM013 -- Volume *vsn* on device *device name* has not expired. Reply *y/n* for user *userid* to write on tape

You must specify whether user *userid* may write on unexpired tape *vsn*. Reply *y* for "yes" or *n* for "no". – ADM

TM014 -- Unable to give you ownership of path *pathname* (*errno* = *errno*)

TMF issued a *chown(2)* command for the *pathname* path, and the *errno* error was received. – ADM

TM015 -- Unable to obtain a reply to the *request* request (*errno* = *errno*)

A TMF command was unable to obtain a reply to the TMF *request* request; the *errno* error was received. This indicates an error in TMF. – USER

TM016 -- The write to *type pathname* failed after writing only *m* bytes of the requested *n* bytes.

A *write(2)* request to a file or pipe described by *type* to the *pathname* path did not write all of the requested bytes. Only *m* bytes of the requested *n* bytes were written. – ADM

TM017 -- The *option* specified, *string*, cannot exceed *count* characters.

The number of characters in *string* is larger than *count* and is the value of the *option* option. – USER

TM018 -- Option *option* cannot be specified more than once

The *option* option is duplicated on your command line. – USER

TM019 -- Volume remounts because an incorrect volume was mounted are not supported for volumes in an autoloader domain

An incorrect volume was mounted by an library. Recovery from this error is not attempted for volumes serviced by an library. – USER

TM020 -- A file sequence number cannot be specified for scratch mount requests

A file sequence number cannot be specified with the *-q* option of the *tmmnt(1)* command if a volume was not also specified. – USER

TM021 -- Exceeded the maximum number of volumes allowed, *maxvsn*

The number of volume identifiers in the volume identifier list is greater than *maxvsn*. Use fewer volume identifiers. – USER

TM022 -- Options *option1* and *option2* are mutually exclusive  
Options *option1* and *option2* are mutually exclusive. You may use only one of them. – USER

TM023 -- A path name must be specified  
Specify the path name by using the *-p* or *-P* option on the *tmmnt(1)* command line or as an argument to the *tmcatalog(1)* request. – USER

TM024 -- Unable to create *desc\_path|filename* (*errno = errno*)  
TMF was unable to create either a file, directory, or process described by *desc\_path|filename*. If the file was specified with a command option, check to see whether you have the correct permissions for creating the file. – USER/ADM

TM025 -- Cannot reserve resources if resources are still held from a previous reservation request  
You have issued a *tmrsv(1)* command, but you must release all previously reserved resources by using the *tmrls(1)* command. – USER

TM026 -- Unable to communicate with TMF daemon  
A command or child process was unable to communicate with the TMF daemon. This indicates an error in TMF. – USER/ADM

TM027 -- The expiration date specified, *date*, must be of the format [*c*|@]yyddd  
The expiration date specified is invalid. It must be of the format [*c*|@]yyddd. – USER

TM028 -- The request to mount volume *volume* was canceled  
The administrator canceled your mount request for volume *vsn*. – USER

TM029 -- All tape resources have been released  
TMF has released all tape reservations held by the user. – USER

TM030 -- The file sequence number must be numeric or the character *n* or *u*

The file sequence number specified is invalid. It must be numeric or **n** to indicate that a new file should be created at the end of the tape, or **u** to indicate file positioning should be based on a file name. – USER

TM031 -- Cannot write to volume *volume*, file *path\_name*, because the volume was requested with write protection enabled  
You requested the **-r** out option on the `tmmnt(1)` command and issued a write operation to the *path\_name* file, but the volume mounted is write protected. – USER

TM032 -- The file status specified must be new when requesting a file be created at the end of tape  
You requested that a file be created at the end of tape by specifying the **-q** option with value *n* on the `tmmnt(1)` command, but you did not specify that the file is new with the **-n** option. – USER

TM033 -- Unable to lock *desc* file *pathname* (`errno = errno`)  
TMF was unable to lock the *pathname* file, used to communicate information between a TMF process and the TMF daemon. The error returned was *errno*. This indicates an error in TMF. – ADM

TM034 -- Waiting for a device from group *device\_group\_name*  
A device from the *device\_group\_name* group was requested with the `tmmnt(1)` command, but it was not available. TMF has queued the request and will assign a device from the *device\_group\_name* group as soon as one is available. – USER

TM036 -- The volume offset cannot exceed the number of volumes.  
The value specified on the offset option is larger than the number of volume identifiers in the volume identifier list. – USER

TM037 -- The specified user does not have tape resources reserved  
The user specified on a forced resource release request does not have any tape resources reserved. – USER

TM038 -- Unable to send the request *request* to the TMF daemon  
The TMF command is unable to send the *request* request to TMF. This may indicate that the TMF is not running. – USER

TM039 -- Path *pathname* is already in use by TMF  
Another tape file called *pathname* is being used by either you or another user. – USER

TM040 -- Unable to unload volume *volume* (*errno* = *errno*)

A TMF command was unable to unload the *volume* volume. The *errno* error was returned on the unload request. – USER

TM041 -- Unable to send an action message to the message daemon

TMF cannot communicate with the message daemon. – ADM

TM042 -- Unable to find a stream owned by process *pid*

The TMF daemon received a request from a child process for the stream owned by the *pid* process. However, TMF was not able to find a stream owned by this process. This indicates an error with TMF. – ADM

TM043 -- The *option* specified, *value*, is invalid

The value of *value* is invalid for the *option* option. – USER

TM044 -- Unable to open tape the *device* device (*errno* = *errno*)

TMF is unable to open the tape *device* device. – USER

TM045 -- Unable to terminate the *process\_type* process *name*, pid *pid* (*errno* = *errno*)

TMF was unable to terminate one of its child processes. The *errno* error was received when attempting to terminate the *name* process, which has the process identifier, *pid*.

TM046 -- Mount volume *vsid* (*label\_type*) *ring\_option* on device *device\_name* for *userid* (*session*) *NQSid* *reason* or reply *cancel* / device name

The administrator must mount the tape with the *vsid* volume identifier, a label of *label\_type*, write ring in or out, on the *device\_name* device, for *userid* user with session of *NQSid*. An optional *reason* may be given. The administrator may remount the tape on the specified drive, reply with a different device name, or reply **cancel**. If the administrator replies **cancel**, the tape mount is canceled and the user cannot continue with the tape processing. – USER/ADM

TM047 -- Remount volume *vsid* (*label\_type*) *ring\_option* on device *device\_name* for *userid* (*session*) *NQSid* *reason* or reply *cancel* / device name

The administrator must remount the tape with the *vsid* volume identifier, a label of *label\_type*, write ring in or out, on the *device\_name* device, for *userid* user with session of *NQSid*. An optional *reason* may be given. The administrator may remount the tape on the specified drive, reply with a different device name, or reply **cancel**. If the administrator replies **cancel**, the tape remount is canceled and the user cannot continue with the tape processing. – USER/ADM

TM048 -- Tape stream *pathname* assigned or reassigned to *device\_name*  
The *pathname* file is assigned or reassigned to *device\_name*. – USER/ADM

TM049 -- *pathname* : *vs**n*(*label\_type*) : *state* : *blocks* = *number*  
*number* blocks were read or written to the *pathname* file with *vs**n* and *label\_type* when at the *state* state. – USER

TM050 -- Tape device *device\_name* has been released  
The *device\_name* tape name has been released. – USER

TM051 -- Cannot request file positioning based on a file name with non-labeled tapes  
File positioning based on a file name uses the file name found in the tape label to position the tape. It cannot, therefore, be requested with nonlabeled tapes. – USER

TM052 -- The TMF block count, *number1*, does not match the label block count, *number2*, for file *pathname*  
The block count for a file, calculated by TMF, *number1*, does not match the block count recorded in the tape label for this file, *pathname*. This indicates an error in TMF. – USER

TM053 -- An unexpected signal, signal *signo*, was received by process *process*  
The *process* process received an unexpected signal (signal number *signo*). This indicates an error in TMF. – ADM

TM054 -- Device *device name* has not been configured in the Tape Management Facility  
An invalid device name was specified on a TMF command. – USER

TM055 -- An invalid device group name, *group*, was specified  
An invalid device group name was specified on a TMF command. – USER

TM056 -- Tape resource *group* has not been reserved  
Either the device group name on the *tmmnt*(1) command does not match the device group name you used on the *tmrsv*(1) command, or you have not issued a *tmrsv*(1) command. – USER

TM057 -- The path name specified for release, *pathname*, is not associated with a tape resource

*pathname*, which was used in the `tmrls(1)` command, was not mounted with a `tmmnt(1)` command. – USER

TM058 -- Command *command* was interrupted by signal *signo*  
The *command* (`tmrsv(1)` or `tmmnt(1)`) command has been interrupted by the *signo* signal. – USER

TM059 -- Permission to write to volume *vsu* was denied  
Permission to write to the *vsu* volume was denied by the front end. – USER

TM060 -- Waiting for device *device\_name*  
The *device\_name* device, which was requested with the `tmmnt(1)` command, was not available. TMF has queued the request and will assign the device as soon as it becomes available. – USER

TM061 -- Permission to update directory *dir* is denied  
You cannot update the *dir* directory because you do not have write permission in the directory. – USER

TM062 -- File *pathname* on volume, *vsu*, is protected  
The *pathname* file found on the *vsu* volume is volume protected. See the system administrator. – USER

TM063 -- File *pathname* on volume *vsu* is not of the requested label type *label\_type*  
The *pathname* file found on the *vsu* volume has an incorrect label type. Check your tape. – USER

TM064 -- File *filename* could not be found on volume *vsu*  
The *vsu* volume identifier does not contain the specified file, *filename*. Check your tape. – USER

TM065 -- File *filename* on volume *vsu* has not expired  
The *vsu* volume identifier does not contain the specified file, *filename*, in an expired state. – USER

TM066 -- A volume must be mounted on the specified device  
The device specified with the TMF `tmlabel(8)` command must have a volume mounted. – ADM

TM067 -- A tape volume must be specified for file *filename*  
There is no VSN list for the *filename* file. – USER

TM068 -- Cannot request user label processing when creating a  
new file or appending to an existing file  
User label processing is only valid when accessing old files. – USER.

TM069 -- An invalid request, *request*, was received from the TMF  
driver  
An invalid request was received from the driver. This indicates an error in TMF. –  
ADM

TM070 -- Unable to complete the *request* request issued to device  
*device* (errno = *errno*)  
The *errno* error was encountered when performing the *request* request on the *device*  
device. – USER

TM071 -- Unable to complete the *request* request issued to device  
*device* for file *pathname* (errno = *errno*)  
The *errno* error was encountered when performing the *request* request on the *device*  
device for the *pathname* file. – USER

TM075 -- Cannot allow user label processing on a volume which is  
not write protected  
User label processing is valid only on write protected volumes. – USER

TM076 -- An invalid label structure was detected on file *filename*  
on volume *vsn*  
The *vsn* volume containing the *filename* file has an invalid label structure. – USER

TM077 -- A user and session identifier must be specified  
A user and session identifier must be specified on the `tmfrls(1)` command. – USER

TM078 -- The Tape Management Facility is not available  
The TMF daemon is stopped. Either a `tmstop(8)` command has been issued, or an  
error has occurred. – USER/ADM

TM079 -- An invalid reply was received from the loader daemon

The reply to a loader request is invalid. TMF processing for this user will be terminated. – USER

TM080 -- The *message* request failed because this message type is not supported by the front-end

A message request sent to a front end was not accepted because the front end does not support messages of this type. – USER

TM081 -- The file sequence number specified, *number*, for file *filename*, exceeds the number of files on the specified volume set  
The file indicated by the *number* file sequence number is not on the tape. – USER

TM082 -- The default tape resource, *resource*, has not been reserved  
A request was made with the `tmmnt(1)` command to mount a volume on a device belonging to the default resource group. The request failed because the default tape resource, *resource*, had not been reserved with the `tmrsv(1)` command. – USER

TM083 -- An invalid request, *code*, was received from a TMF child process

The *code* request code is invalid. This indicates an error in TMF. – ADM

TM084 -- Tape Management Facility internal error

TMF returned an error indicating an internal TMF error. – USER/ADM

TM085 -- The specified volume does not exist in the volume identifier list for this stream

The volume identifier specified in a TMF request could not be found in the volume identifier list specified on the `tmmnt(1)` command for this stream. – USER

TM086 -- Error *error* was encountered by the Tape Management Facility

TMF returned the *error* error. – USER

TM087 -- An invalid range, *value1-value2*, was specified

The range specified is incorrect. *value1* exceeds *value2*. – ADM

TM088 -- The path name specified, *pathname*, already exists

You specified *pathname* on the `tmmnt(1)` command by using the `-p` option, and *pathname* exists. The `-p` option of the `tmmnt(1)` command does not delete the *pathname* file if it exists. You can either delete the *pathname* file or use the `-P` option. – USER



TM089 -- Directory *pathname* was specified for the *desc* when a file name was expected

You specified *pathname* on the TMF command rather than the expected file name; *pathname* is a directory. – USER

TM090 -- Because the environment variable, *variable*, is not set, the current working directory will be used instead for the *file\_type*. It was requested that the *variable* environment variable be used by TMF command, but it is not set up correctly. – USER

TM091 -- The path name of the *desc* cannot exceed *number* characters.

The path name specified is larger than the maximum of *number* characters accepted by TMF. See the system administrator. – USER

TM092 -- Unable to get the current working directory (errno = *errno*)

TMF cannot get your current working directory. The *errno* is *errno*. – USER

TM093 -- The *desc* specified must be either 'on' or 'off'. The state specified for *desc* must be either **on** or **off**. – ADM

TM094 -- Waiting for another request to complete. The *tmmnt(1)* command was postponed to finish another request. – USER

TM095 -- The limit on the number of tape users has been reached. The maximum number of tape users was exceeded. – USER

TM096 -- The label type specified on multifile volume mount requests must match the type specified on previous mount requests for the volume

The label type specified on a multifile volume mount request is incorrect. It must be identical to the type specified on the previous multifile volume mount requests. – USER

TM097 -- The following tape users are deadlocked. The following users are deadlocked during device allocation. – ADM

TM098 -- Waiting for device *device* to avoid a possible deadlock

Assigning the *device* device could lead to a possible system deadlock; therefore, allocation is delayed. – USER

TM099 -- The tape stream open request specifies a file unknown to the TMF daemon

The tape stream path name was not known to TMF when it processed the request code sent by the user. – USER

TM100 -- The write of the *request\_type* request to *file type pathname* failed after writing only *number1* bytes of the requested *number2* bytes

The *pathname* file is used to communicate a request of the *request\_type* type to a front end. TMF was unable to write the request to this temporary file. *number1* bytes were written instead of the expected *number2* bytes. – USER

TM101 -- A device release is pending

When TMF was processing a release request, the device could not be released immediately. It will be released as soon as possible. – USER

TM102 -- Waiting for a resource release to complete

TMF received your reserve request and is waiting for the release of devices from a previous release request. TMF delays the processing of your reserve request until all pending releases are completed. – USER

TM103 -- Cannot mount a bypass label tape with the ring out

TMF is installed with the option that ring out must be used when the blp label type is used. – USER

TM104 -- Operator replied : *reply\_string*

The operator replied *reply\_string* to an operator message about your tape. – USER

TM105 -- Cannot send the *request\_type* request because front-end *fes* is not logged on

The *request\_type* request, sent to the *fes* front end could not be processed because the *fes* front end is not logged on. – USER

TM106 -- The *request\_type* request failed because the request was created incorrectly

An error was returned by the front end for the *request\_type* request because TMF created the request incorrectly. – USER

TM107 -- Unable to create a Tape Management Facility daemon  
(*errno* = *errno*)  
TMF could not be brought up successfully because a new session for TMF could not  
be created. – ADM

TM108 -- The *request\_type* request failed because of an unknown  
condition *error*  
The *request\_type* request, which was sent to a front end, failed because of the *error*  
error. – USER

TM110 -- Unable to register for signal *signo* (*errno* = *errno*)  
Registration for the *signo* signal could not be completed; the error returned is *errno*. –  
ADM

TM111 -- Permission to write filemarks denied  
You attempted to read or write a filemark without using the -T option of the  
tmmnt(1) command. – USER

TM112 -- Option *option1* requires option *option2*  
You must specify *option2* along with *option1* on the TMF command. – USER

TM113 -- A *label* label was not found for file *pathname*, on volume  
*vsn*  
Your *pathname* tape file either does not have a valid *label* label or is missing this label  
for *vsn*. – USER

TM114 -- Device *device* is already in use  
The device specified on the TMF command is already in use. – USER

TM115 -- User end-of-volume processing has been *action* for tape  
file *pathname*  
This informational message is sent to your *tape.msg* file. *action* can be set to selected  
on or deselected off for *pathname* during a TR\_EOV request. – USER

TM116 -- Unable to set the block size for label I/O (*errno* =  
*errno*)  
TMF is unable to label a tape volume because it cannot set the block size to the label  
size; the error received is *errno*. – USER

TM117 -- Permission to (re)catalog file *filename* was denied from the front end

The servicing front end did not allow you to catalog or recatalog the *filename* file. – USER

TM118 -- Permission to delete file *filename* from the front-end catalog was denied by the front-end.

The servicing front end did not allow you to delete the *filename* file from the front-end catalog. – USER

TM119 -- A request to position to a specific volume must specify a volume name

TMF user request, TR\_PVSN, did not include a volume name. – USER

TM120 -- The storage server was unable to complete the *request\_type* request

The storage server encountered an error while attempting to complete the *request\_type* request. – USER

TM121 -- The record format specified must be one of the characters F, D, U, or V

The record format specified with the -F option of the *tmmnt(1)* command is invalid. It must be one of the characters, F, D, U, or V. – USER

TM122 -- Stream *pathname* is busy

The stream specified for release with the -R option of the *tmmnt(1)* command cannot be released because the stream file is open. – USER/ADM

TM123 -- Cannot request an unload of an assigned device, *device*

You requested an unload of the *device* device with the *tmunld(8)* command. Your request failed because the device is assigned to a user. – USER

TM124 -- AVR not active

You tried to use the *tmuld(8)* command, but automatic volume recognition (AVR) is not active. – ADM

TM125 -- Cannot issue an *request\_type* request to a downed device, *device*

You requested an unload of the *device* device with the *tmunld(8)* command. The request failed because the device is not configured up. – USER

TM126 -- Cannot modify *feature* mode, *feature* in use

You used the `tmset(1)` command to change a tape daemon option, but the tape subsystem is busy. The options (*feature*) available for type are automatic volume recognition (AVR), front-end servicing (FES), destination of tape operator messages, and tracing. – ADM

TM128 -- The *request\_type* failed because station message processing is not enabled

The *request\_type* request sent to a front end, failed because station message processing is not enabled. – USER

TM129 -- An invalid TMF request, *request* was issued for file *pathname*

You issued an invalid request, *request*, to TMF with the `TMFC_DMNREQ` ioctl system call for the *pathname* file. Check the `/usr/include/tmf/sys/tmfctl.h` include file for a list of valid requests. – USER

TM130 -- File *pathname* is new and cannot, therefore, be read

You issued a `read(2)` request to a file, *pathname*, which was accessed as new on the `tmmt(1)` command. – USER

TM131 -- Unable to send request *request\_type*: error *reason*

TMF received an error when it tried to send a station message to a servicing front end. *reason* was received as the reason for the error. – USER

TM132 -- Permission to access file *file\_id* denied by front-end *feid*

The servicing front end, *feid*, denied access to the *file\_id* file. – USER

TM133 -- The *request\_type* request cannot be issued to a front-end which is not secure

The servicing front end is not secure. – USER

TM134 -- File *file\_id* cannot be cataloged because it already exists in the catalog

The servicing front end returned an error because *file\_id* was specified as a new file, and it already exists in the catalog. – USER

TM135 -- File *file\_id* does not exist in the catalog

The servicing front end returned an error because *file\_id* was specified as an existing file and it does not exist in the catalog. – USER

TM136 -- The data attribute specified must be one of the characters B, S, or R  
The data attribute portion of the record format field specified with the -F option of the tmmnt(1) command is invalid. It must be one of the following characters: B, S, or R - USER

TM137 -- Unable to update file *file\_id* in the front-end catalog  
The servicing front end returned an error because the catalog update failed. - USER

TM138 -- Access to volume *volume* was denied  
The servicing front end denied access to the *volume* volume. - USER

TM139 -- The requested volume, *volume*, is not in the volume catalog  
The servicing front end returned an error because the *volume* volume does not exist in the volume catalog. - USER

TM140 -- Unable to update volume *volume* in the volume catalog  
The servicing front end returned an error because the volume catalog update failed. - USER

TM141 -- Unable to create the front-end message requesting a *request\_type*  
An error occurred during an attempt to build a station message. Contact your system support staff - USER/ADM

TM142 -- An invalid station message type, *request\_type*, was specified  
This is an invalid station message type. Contact your system support staff. - USER/ADM

TM143 -- The size of the station message specified, *size*, differs from the size of the data written to the station message file  
The text of this station message is not of the size expected. Contact your system support staff. - USER/ADM

TM144 -- Unable to read the station message reply header (errno = *errno*)  
An error occurred while a station message reply was read from a front-end. Contact your system support staff. - ADM

TM145 -- Unable to read from *desc* pipe *pathname* (*errno* = *errno*)  
TMF was unable to read data from the *pathname* pipe; the error returned is *errno*. – ADM

TM146 -- The size of the *type* read, *bytes read* bytes, differs from the expected size of *bytes* bytes  
A read(2) operation returned a count different from that expected. – USER

TM147 -- The identifier specified for the front-end request, *id*, is invalid  
Front-end identifier *id* is invalid. – USER

TM148 -- Unable to send a request to the front-end  
An error occurred during an attempt to send a station message. – USER

TM149 -- The request was rejected by the front-end  
The servicing front end rejected your request. – USER

TM150 -- The station message reply does not include the required table *table*  
Required table, *table*, is missing from a station message reply. Contact your system support staff. – USER/ADM

TM151 -- A catalog request cannot be issued when front-end servicing is disabled  
Front-end servicing is turned off. – USER

TM152 -- The last device within a range of devices was not specified  
The format of the device range is invalid. An upper range is required. – ADM

TM153 -- The no unload option can only be specified when configuring a device up  
You specified the no-unload option on a request to configure a device down. – ADM

TM154 -- A device configuration request must specify the device name(s) and state  
An invalid device configuration request was issued. The device configuration request requires a device name and state. – ADM

TM155 -- The front-end did not reply to the *request\_type* request  
Timed out while waiting for a reply from the servicing front end. – USER

TM156 -- Front-end, *feid*, configured for the *request\_type* request, is  
not enabled for station messages

The specified servicing front end does not accept type 3 station messages. – USER

TM157 -- The specified path, *pathname*, must be closed when issuing  
a catalog request

The `tmcatalog(1)` command can be used only when the file is closed. – USER

TM158 -- Unable to send *message* for *user job\_id*, *NQSid* to front-end  
*target\_id(reason)*. Reply cancel or retry

The *message* message to server or front-end identifier cannot be sent for *user* because  
*reason*. – ADM

TM159 -- Option *-option* cannot be specified when front-end  
servicing is disabled.

Front-end servicing must be enabled before requesting a front-end operation with the  
*-option* option. – USER

TM160 -- User volume *vsu* closed

The *vsu* volume identifier was closed. – USER

TM161 -- Unable to open *desc* file *filename* (`errno = errno`)

The *filename* file, could not be opened; the error returned is *errno*. Check to see if this  
file exists or whether you have the correct permissions for opening the *filename* file. –  
USER/ADM

TM162 -- Extra parameters were specified at the end of command,  
*string*

Extra characters (*string*) were specified in the TMF command. – USER

TM163 -- *program\_name* (`pid process_id`): *server server\_name: error\_text*.  
Reply `retry` or `cancel`

*program\_name* encountered a problem communicating with the *server\_name* server on  
behalf of one or more requests. The problem is described in *error\_text*. A reply of  
**cancel** aborts all requests that have encountered this problem. A reply of **retry**



requeues all requests that encountered this problem and allocates more time for these requests to wait for the communication with the *server\_name* server. – ADM

TM164 -- Unable to read *type* file *filename* (*errno* = *errno*)  
An error occurred when attempting to read the *filename* file; the error returned is *errno*. Check to see if this file exists or whether you have the correct permissions for reading the *filename* file. – USER/ADM

TM165 -- Either a loader status or a device list must be specified with option -m  
An invalid loader configuration request was issued via the `tmconfig(8)` command. When you specify the -m option, you must also specify a loader status or a device list or range. – ADM

TM166 -- An invalid loader daemon request was created  
TMF did not correctly create a loader daemon request. – USER

TM167 -- The ring status specified, *status*, must be either 'in' or 'out'  
An invalid ring status, *status*, was specified with the -r option of the `tmmnt(1)` command. The status must be in or out. – USER

TM168 -- The function code specified on a loader daemon request, *code*, is not supported  
TMF created a loader daemon request incorrectly. The loader function specified, *code*, is not supported. – USER

TM169 -- Unable to change the owner and group of *file\_type pathname* (*errno* = *errno*)  
TMF was unable to change the owner or group of the *pathname* file; the error returned is *errno*. – ADM

TM170 -- File *pathname* must be closed because of an unrecoverable error (*errno* = *errno*)  
The user received an error on a tape request. No further requests will be accepted except for a close request. Close and reopen the tape file. – USER

TM171 -- User reads and writes of file marks cannot be performed on single tape mark format tape  
Single filemark format tapes are not allowed with the -T option. – USER

TM176 -- Because multiple files are not supported for single tape mark format tapes, a file sequence number greater than one cannot be specified

Single filemark format tapes are not allowed with the `-q` option of the `tmmnt(1)` command. – USER

TM177 -- Unable to create a temporary file needed to communicate the *request* request to the TMF daemon (`errno = errno`)

A TMF request was terminated because TMF was unable to create a file required to communicate the request to the TMF daemon; the error returned is *errno*. – USER/ADM

TM178 -- Unable to provide the *request* request information to the TMF daemon indirectly

A TMF request was terminated because TMF was unable to communicate the request to the TMF daemon; the error returned is *errno*. – USER/ADM

TM179 -- An operator request cannot be issued for a device controlled by an unattended media loader

With the tape loader in unattended mode, administrator requests are not valid; thus the request was aborted. – ADM

TM180 -- Cannot write after a read

`write(2)` requests cannot directly follow `read(2)` requests. – USER

TM181 -- The specified *path\_type* path, *pathname*, does not exist

*pathname* specified with the TMF command does not exist. – USER

TM182 -- Permission to read file *filename* was denied (`errno = errno`)

The filename *file* does not have read access enabled. – USER

TM183 -- Cannot request concatenation when creating a new file or appending to an existing file

The `-c` option of the `tmmnt(1)` command was used to request that multiple tape files be read as though they were one tape file. This feature cannot be specified with either the `-n` or `-a` option. Correct the option specified and reissue the `tmmnt(1)` command. – USER

TM184 -- Cannot issue a positioning request, other than a rewind request, to a concatenated file

The position request was terminated because the tape file is a concatenated file. The only valid positioning request for concatenated files is the rewind request. – USER

TM185 -- Session *sid* terminated but left stream file *pathname* open  
TMF allowed a stream file to remain open after the session owning the stream has terminated. – ADM

TM186 -- Cannot read after a write  
read(2) requests cannot directly follow write(2) requests. – USER

TM187 -- Cannot position past the beginning of file *file*  
A request to position backward by blocks was terminated because the beginning of the file was detected. – USER

TM188 -- Cannot position past the end of file *file*  
A request to position forward by blocks was terminated because the end of the file was detected. – USER

TM190 -- **\*\*WARNING\*\*** device *device\_name* (autoloader: *library\_name*, server: *server\_name*) is in state: *state*.  
During the initialization of the *server\_name* server for the *library\_name* library, the *device\_name* tape drive was reported by the server to be in the *state* state. Either check the state of the tape drive with the server and alter its state so that it can be used on the system or do not attempt to configured it up. – ADM

TM191 -- Cannot issue a catalog request to a file, *pathname*, which has not been accessed  
The `tmcatalog(1)` command can be used only after the file has been opened and closed. – USER

TM192 -- A servicing front-end has not been defined  
The `tmcatalog(1)` command cannot be used if a servicing front end is not being used. – USER

TM193 -- Permission to *operator* file *file* denied by the front-end  
The servicing front end has not given permission to perform the specified operation. – USER

TM194 -- The operator requested that the request be retried  
The message is being sent again to the front-end operator. – USER

TM195 -- Unable to configure media loader *loader* to auto mode  
The *loader* media loader could not be modified to auto mode. – ADM

TM196 -- Unable to configure media loader *loader* to manual mode  
The *loader* media loader could not be modified to manual mode. – ADM

TM197 -- Unable to configure media loader *loader* to attended mode  
The *loader* media loader could not be modified to attended mode. – USER

TM200 -- The device status specified, *status*, must be either 'up'  
or 'down'  
The status specified on a device configuration request must be either up or down. –  
ADM

TM201 -- A hardware component must be specified  
Either a device name, loader name, or group name must be specified on a  
configuration request. – ADM

TM202 -- The default file sequence number can be used for only  
one of the multi-file mount requests for a volume.  
Because unique files must be specified on multifile volume access requests, the  
default file sequence number can only be used by one of the mount requests. – USER

TM203 -- The request to disable user end-of-volume processing  
was ignored because it is not enabled  
A request to deselect user end-of-volume processing was ignored because user  
end-of-volume processing is not currently selected. – USER

TM204 -- The request to configure component name was ignored  
because another request is pending  
A `tmconfig(8)` command cannot be completed because a previous configuration  
command is still pending. – ADM

TM205 -- The default file sequence number can be used for only  
one of the multi-file mount requests for a volume

Multiple `tmmnt(1)` commands were entered without specifying the file sequence numbers. The default is 1, which indicates the first file on the tape. Reenter the commands using file sequence numbers for the `-q` option. – USER/ADM

TM206 -- An invalid message type, *type*, was specified in the FES request

A TMF child process issued a request to the TMF daemon to update file information for the *file* file, which could not be found. This indicates an error with TMF. – ADM

TM209 -- Permission to write to file *pathname* denied

You have attempted to write to a file that does not have write permission. The `write(2)` request has been aborted. – USER

TM210 -- Media loader *name* has not been configured in the Tape Management Facility

An invalid media loader *name* was specified. – USER

TM211 -- A device list must be specified when requesting a device group reassignment with option *-option*

An invalid device group reassignment request was issued. This request requires a device, device list, or device range. – USER

TM212 -- The communication path, *code*, to loader, *name*, is invalid

An invalid communication path was specified when a loader was defined in the configuration or parameter file. – ADM

TM213 -- Media loader, *name*, is unable to change the ring status for volume *vsn*

A tape volume in the loader does not have the correct ring status for the *vsn* volume. The loader is unable to correct the ring status. The tape request has been aborted. – USER

TM214 -- A stream ordinal must be specified

The TMF command required a stream ordinal. – USER

TM215 -- Unable to obtain status information for loader *name*

You requested status information for loader *name*. TMF was unable to obtain this information. – USER/ADM

TM216 -- Unable to send *msgtype* for *user sid*, *NQSid* to front-end *feid* (*reason*). Reply **cancel**, **retry**, or **ignore**

The TMF daemon was unable to send a message to the front end. The administrator should reply with **cancel** to abort the original request, **retry** to reissue the original request, or **ignore** to ignore the error condition. Multiple messages are generated when a tape is being mounted. If the administrator specifies **ignore**, it is assumed that the tape mount request will be satisfied as a result of one of the other messages issued. – ADM

TM217 -- Scratch volume request denied.

A request was made to mount a scratch tape to a loader that does not support the type of scratch tape specified in the request. The mount request has been terminated. – USER

TM218 -- Error in file *config\_file*, line *line\_number*, offset *offset* with option *option*.

A unique file name must be specified for the *option* option. The *pathname* file has already been specified for another file definition. – USER

TM219 -- Cannot modify the status of loader *loader* because there are devices allocated to this loader which are assigned

A request to change the configuration of a loader cannot be completed if devices allocated to the loader have been assigned. The request has been terminated. – USER

TM220 -- The media loader for device, *device*, cannot be modified when the device is configured up

The media loader for a device cannot be changed if the loader is not configured down. The `tmconfig(8)` request has been terminated. Configure the loader down, and reissue the loader change request. – USER

TM221 -- Device *device* cannot be configured up when the loader for the device is down

You attempted to change or configure up the media loader for a device, and the loader is not configured down. The `tmconfig(8)` request has been terminated. – USER

TM222 -- Unable to notify the TMF driver of the maximum block size, *size* (*errno* = *errno*)

TMF was unable to notify the TMF driver of the I/O type and maximum block size for a user when processing a user's open request; the error returned is *errno*. The user's open request was terminated. – ADM

TM223 -- The devices belonging to device group, *group* are not all of the same device type  
The configuration file is invalid. All devices belonging to the *group* group must be the same device type. – ADM

TM224 -- Volume remounts because of an incorrect label type are not supported for volumes in an autoloader domain  
A volume mounted by an library does not have the correct label type. Retrying the mount in an attempt to get a volume with the correct label type mounted is not supported for volumes controlled by an library. – USER

TM225 -- The loader state specified, *state*, is invalid for loader *loader*.  
A request was made to configure a loader to a state that is invalid. The request has been terminated. – USER

TM226 -- The *type* volume name specified, *vsu*, must consist of all alphanumeric characters  
An invalid volume was specified on the `tmmnt(1)` command. The volume specification must be alphanumeric. – USER

TM227 -- The storage server was unable to mount the requested volume  
A mount request issued to a storage server could not be completed. – USER

TM228 -- Waiting for volume *vsu*  
A request was made to mount the *vsu* volume. However, this volume is currently in use. TMF will place the `mount(1m)` request in a waiting state, and reissue the request when the volume is free. – USER

TM229 -- Permission to mount the requested volume(s) was denied by the user exit.  
Your `mount(1m)` request was terminated because of your site's verification specifications. Check to see that you have permission to mount this volume. – USER

TM230 -- *action* < *reason* >? Reply *y*(yes), *n*(no), or *q*(requeue).  
The message requests that you import or export a volume. Reply *y* if you wish to import or export, *n* to abort the job that requested the volume, or *q* to queue the `mount(1m)` request. – ADM

TM231 -- Reply y/n when import is complete.

You replied **y** to an import or export request. When you complete the import or export, reply **y** to this message. – ADM

TM232 -- Should volume *vsn* be ejected from loader *loader* to change the ring status? Reply y(yes) or n(no)

The administrator must respond either **y** if the system is to eject the specified *vsn* and change the state of the tape ring before returning the tape to the loader domain or **n** if the administrator does not want these actions to occur. – ADM

TM233 -- Volume *vsn* is not scratchable. Reply 'retry' or 'cancel'

The mounted volume cannot be made into a scratch tape. Reply **retry** to mount another scratch tape or **cancel** to cancel the tape mount request. – ADM

TM234 -- Embedded filemarks are not allowed on volume *vsn*

Embedded filemarks are not allowed on the *vsn* volume. – USER

TM235 -- Unable to get the pending stream request from the TMF driver (errno = errno)

A user request is pending but the TMF daemon is unable to obtain the request from the TMF driver; the error returned is *errno*. – ADM

TM236 -- Data compression is not supported for devices belonging to group, *group*

Data compression was requested with the **-i** option of the `tmmnt(1)` command with a device group that does not support data compression. – USER

TM237 -- The density value specified is invalid for devices belonging to group, *group*

A density was specified with the **-d** option of the `tmmnt(1)` command with a device group that does not support this density. – USER

TM238 -- Is volume *vsn* on device *device* a valid scratch volume for user *userid*, session *sid*? Reply y/n

Request that the administrator verify the scratch volume mounted. Reply **y** if the user is permitted to use the specified volume as a scratch volume or **n** to deny the request. – ADM



TM239 -- Error in file *config\_file*, line *line\_number*, offset *offset*, with option *option*. File *pathname* cannot include any device type suffixes

The tape file specified for a device configuration contains a device type suffix. Eliminate the suffix from the definition. – ADM

TM240 -- Cannot find host entry for *sd=socket\_descriptor*

The entry for *socket\_descriptor* is set, indicating that it is expecting a reply from another system. No entry has been queued within the *tcpnet()* function expecting such a reply. Check the network for proper functionality or contact your system support staff. – ADM

TM241 -- Error from socket *operation*, *sd=socket\_descriptor*, *host=host*, *rc=rc*, *errno=errno*: *error\_description*

The *error\_description* error has occurred while TMF was trying to do *operation* on *socket\_descriptor* that is connected to *host*. Check the network or system *host* for proper functionality or contact your system support staff. – ADM

TM242 -- Host name *host* not found

An attempt to obtain the network host entry for system *host* from the */etc/hosts* file or from the */etc/host.bin* file has failed. Contact your system support staff to correct the network files or to correct the tape configuration file. – ADM

TM243 -- Unable to modify the file status flags for pipe *pipename* (*errno = errno*)

A file status setting required for TMF communication could not be set; the error returned is *errno*. – ADM

TM244 -- The label write did not complete successfully

The *tmlabel(8)* command was unable to complete a label write. Only part of the label could be written. – ADM/USER

TM245 -- Unable to create a pipe required to receive the *request* reply

The *request* request could not be completed because TMF could not create a pipe to receive the reply to the request. – USER

TM252 -- Waiting for a device from group *group* to avoid a possible deadlock

The request could lead to a possible system deadlock; so the device allocation is delayed. – USER

TM253 -- Device *device* is not available

You requested a specific device, but this device is not available. – USER/ADM

TM255 -- Cannot use more tape resources than were reserved

A required option, *option*, has not been specified. Reissue the command specifying this option. – USER/ADM

TM257 -- Supplementary logfile message from *request*:

This message issues a supplementary log file message from the front end. The message corresponds to the front-end request. – USER

TM258 -- Unable to read the *data* from *pipename* pipe *pathname* (errno = *errno*)

A child process was unable to obtain *data* from its parent. An error occurred when reading from the *pipename* pipe; the error returned is *errno*.– ADM

TM259 -- The TMF device assigned, *device\_name*, is being used by a non-TMF process

The fact that a device configured as part of TMF has been opened by a process that was not supported by TMF has prevented TMF from accessing the device. – ADM

TM260 -- Volume remounts to retry a failed label write is not supported for volumes in an autoloader domain

TMF has attempted a label a volume, but the label write request failed. Recovery is not possible for volumes managed by an library. – USER/ADM

TM261 -- The expected size, *size1*, of data element *element*, differs from the actual size, *size2*

A TMF child process was unable to correctly read data from its parent. The size of the data expected for one element differs from what is expected. Check that the version of the parent is identical to that of the child. – ADM

TM262 -- Unable to obtain the block information from device *device* for file *pathname* (errno = *errno*)

A user's request was terminated because TMF was unable to obtain the block size used for fixed-block I/O. – ADM

TM263 -- Variable block I/O is not supported for devices belonging to *group*, *group*

You requested variable-block I/O via the `tmmnt(1)` command with a device group that does not support variable-block I/O. – USER

TM264 -- Unable to acknowledge the stream request (`errno = errno`)

An error was returned on a system call request because a TMF process was unable to communicate correctly with the TMF driver. The process could not acknowledge that the request was received; the error returned was *errno*. – ADM

TM265 -- Unable to obtain the device status for device *device* for file *file* (`errno = errno`)

Processing for a stream terminated because TMF was unable to obtain the status of a device following a device request; the error returned is *errno*. – ADM

TM266 -- Unable to notify the TMF driver of the stream owner, *owner* (`errno = errno`)

A mount request terminated because the child created to process the mount request could not communicate the stream ownership information to the TMF driver. – ADM

TM267 -- Unable to open device *device* for the stream *stream*, file *pathname* (`errno = errno`)

An error was returned while assigning the *device* device to the *stream* stream. TMF was unable to open the device for this stream; the error returned was *errno*. – ADM

TM268 -- Unable to *disable or enable* writes past the EOT for file *pathname* (`errno = errno`)

By default, data cannot be output after the end-of-tape has been detected. A request has to be made to enable this capability. TMF encountered an error on a request to reset this capability to the default state or on a request to enable this capability; the error returned is *errno*. – ADM

TM269 -- A device range and device list cannot both be specified  
The format of a configuration request is invalid. – USER

TM271 -- Unable to free device *device* from stream *stream* for file *file* (`errno = errno`)

TMF is unable to free file. – ADM

TM272 -- Unable to provide the configuration to the TMF driver  
(*errno = errno*)

During TMF start-up processing, the TMF daemon was unable to notify the TMF driver of the configuration, and startup was terminated; the error returned is *errno*. – ADM

TM273 -- Front-end servicing must be enabled

A front end was defined as the mount message destination for the device chosen for the volume mount, but front-end servicing has not been enabled. Enable front-end servicing with the `tmset(8)` command or modify the mount message destination. – USER

TM274 -- Unable to clear stream *stream\_number* (*errno = errno*)

TMF was unable to clear the *stream\_number* stream; the error returned is *errno*. – USER/ADM

TM275 -- Cannot export volume *vsu* from loader *loader*

The requested *vsu* volume was not found in the domain of the preferred *loader* loader. The volume could not be exported to the *loader* loader because either the loader is unattended or the administrator denied the request to export the volume. – USER

TM276 -- The system indicated that a TMF request was pending for stream *stream* but no request was found (*errno = errno*)

Communication between the TMF daemon and a TMF child process failed. It was indicated that a TMF daemon request was pending, but no request was found. Processing for the *stream* stream is terminated. – ADM

TM277 -- An invalid SSP request was received

A TMF child process received an invalid request from the TMF daemon. Processing for the stream is terminated. – ADM

TM279 -- The *parameter* specified, *param*, must be in the range *min\_value* to *max\_value*

The user specified a value for *parameter* that is invalid. The value must be in the range *min\_value* to *max\_value*. Correct the number specified and reissue the command. – ADM

TM280 -- Terminating the user owning path *pathname* and using device *device*

When processing has terminated for a stream, the user's processing is then killed. – USER

TM281 -- A volume identifier must be specified

The user did not specify any VSN with option `-v` on the TMF command. Correct the `-v` parameter and reissue the command. – USER

TM282 -- An internal volume id must be specified

The user specified an external VSN without also specifying an internal VSN (`-v =EXTID`) on a TMF command. Correct the VSN specified and reissue the command. – USER

TM285 -- Cannot specify a negative or non-numeric value *parameter* for the *partition\_number*

The user specified a nonnumeric value, *value*, for a partition number, *partition\_number*. Specify a numeric value for all partition numbers and reissue the command. – USER

TM286 -- A volume description cannot begin with the '=' delimiter

The user began the volume description with the = delimiter rather than with the internal volume identifier. Correct the volume description and reissue the command. – USER

TM288 -- An external volume identifier must be specified after the first '=' delimiter

The syntax of the volume description is incorrect. A VSN must follow the = delimiter. Correct the volume description and reissue the request. – USER

TM292 -- Unable to lock the SSP process *pid*, managing file *pathname*, in memory (errno = *errno*)

Process locking was requested with the `-l` option on the `tmdaemon(8)` command. TMF was unable to lock a Stream Service Program (SSP), created to manage the *pathname* stream in memory; the error returned is *errno*. – USER

TM294 -- The *reqt* request has been interrupted

The *reqt* request has been interrupted. – USER

TM295 -- The *reqt* request failed because the message size exceeds the segment size

An invalid front-end request was created. – USER

TM296 -- Cannot export volume *vsu* from loader *loader1* and import to loader *loader2*

The requested *vsu* volume was not found in the domain of the preferred *loader2* loader. The volume could not be exported from the *loader1* loader and exported to *loader2* because either the loader is unattended or the administrator denied the request to move the volume. – USER

TM297 -- Unable to change the permissions mode of *file type file name*(*errno = errno*)

TMF was unable to perform a `chmod(8)` on the named file. Contact your system support staff. – USER/ADM

TM298 -- Cannot specify a negative value for the *parameter*

An invalid parameter, *parameter*, was specified. The parameter cannot be negative. The command is terminated. Correct the parameter and reissue the command. – USER/ADM

TM299 -- Unable to complete the *cmd* command (*errno = errno*)

An unexpected error occurred when processing the *cmd* command. Contact your system support staff. – USER/ADM

TM400 -- *program data\_structure1 v version\_number1* is incompatible with system *data\_structure2 v version\_number2*, abort *program*.

The *program* name has been created with *data\_structure1* name version *version\_number1*. This is incompatible with the *data\_structure2* name version *version\_number2* that was used to build the TMF daemon. Contact your system support staff to change either one of the components to create a matching set. – ADM

TM401 -- The TMF child process expected *n* list elements from the TMF daemon but instead received *m* elements

When TMF starts a child process, it delivers a data structure to this process. The data structure contains the number of data structures that will follow and the size of each structure. This message indicates that there is a discrepancy between the number delivered and the number the child process has calculated. Contact your system support staff to resolve the discrepancy. – ADM

TM402 -- Either a device name or 'all' must be specified

The `tmunld(8)` command requires a device name or all. – USER

TM403 -- Unable to *enable or disable* signals for process *pid*, stream *stream* (*errno* = *errno*)

The TMF driver communicates with the TMF daemon and its children using signals. When the TMF daemon or a child is ready to receive requests, it enables signals from the TMF driver. When it cannot accept signals, it disables the signals. This message is output if the TMF daemon or child cannot modify the signal state; the error returned is *errno*. – USER

TM404 -- Unable to resume process *pid*, stream *stream* (*errno* = *errno*)

The TMF driver disables further processing of user system call requests when the TMF daemon or its child has a request pending for a user. Once the TMF daemon or its child has completed its processing, it will resume the user request with an *ioctl(2)* request to the TMF driver. This message is output if the request fails. – USER

TM405 -- The volume mounted on device *device* differs from the requested volume

An incorrect volume was mounted on the *device* device. – USER

TM407 -- The operator denied access to the scratch volume mounted on device *device* for file *pathname*

A scratch volume was mounted, and scratch volume verification has been configured. The administrator did not allow the mounted volume to be scratched, and the user's request was terminated. – ADM

TM408 -- The operator canceled the scratch volume mount request  
The mounted volume was not scratchable, and the scratch retry limit was reached.  
Permission to retry the scratch mount request was denied by the operator. – USER

TM410 -- User exit function : *function* : returned : *return\_code*

The user exit function *function* returned *return\_code*. This is a site-defined message. – USER

TM411 -- Cannot read the labels from volume *vsu*, file *pathname*  
(*errno* = *errno*)

TMF was unable to perform label processing. A label read failed with error *errno*. – ADM

TM413 -- Permission to bypass label process denied

Root privilege is required to bypass label processing. – USER

TM414 -- Exceeded the limit on the number of tape groups which can be reserved, *count*  
You specified more tape groups on the `tmrsv(1)` command than what is allowed. – USER

TM415 -- The *option* specified, *value*, must be greater than *min*  
The user specified a value for the *option* option, which is less than the minimal value required for this option. Reissue the command specifying an option value which meets this requirement. – USER

TM416 -- Because directory *dir*, specified with environment variable, *variable*, is not writeable, the current working directory will be used instead for the *file*  
The user requested that the file be created in the directory specified with the *variable* environment variable. This directory is not writeable so that the current working directory is used instead. – USER

TM417 -- Cannot import volume *vsn* to loader *loader*.  
The requested *vsn* volume was not found in the domain of the preferred *loader* loader. The volume could not be imported to the *loader* loader because either the loader is unattended or the administrator denied the request to import the volume. – ADM

TM418 -- A resource must be specified  
A resource was not specified on the `tmrls(1)` command. Option `-a`, `-d`, or `-p` must be specified to indicate what resource or resources to release. – ADM

TM419 -- A path or device name must be specified when requesting a resource privilege be kept  
The `-k` option was specified on the `tmrls(1)` command without specifying a path name or a device name. – USER

TM420 -- Exceeded the limit on the maximum number of active tape streams.  
A mount request was terminated because TMF was at the limit of active tape streams. This limit was established by the *max\_streams* value specified in the TMF configuration file or the default value specified in the `tmfdefaults.h` file. – ADM

TM421 -- A media loader vendor address must be specified for device, *device*, controlled by media loader *loader*



Specify the library address of the tape drive with the device name specified by the vendor supplied software for that library. For a StorageTek library this address is in the format (*acs,lsm,panel,drive*), and for the EMASS library this address is a single number. Contact your system support staff to specify the correct library address for drive name. – ADM

TM422 -- The specified file, *pathname*, does not exist  
The *pathname* file does not exist. – ADM

TM423 -- Error in line *line\_number*, offset *char\_offset*, with value *value*. Vendor address, *value1*, cannot exceed *value2*

A value is specified for *value1* in the vendor address that is greater than the maximum boundary, *value2*, that can be specified for *value1* in the vendor address. Contact your system support staff to change the value for *value1* to a number that is less than *value2*. – ADM

TM424 -- Error in line *line\_number*, offset *char\_offset*, with value *value*. The STK vendor address must be of the format, '*(acs,lsm,panel,drive)*'.

The StorageTek library vendor address has not been specified correctly: more values were encountered than the four making up the StorageTek library vendor address. Contact your system support staff to specify a correct StorageTek library address. – ADM

TM425 -- Error in file *config\_file\_name*, line *line\_number*, offset *char\_offset*, with value *value* : *text*

Correct the error, *text*, and run again – ADM

TM426 -- Error in file *config\_file\_name*, line *line\_number*, offset *char\_offset*, with parameter *parameter*. Exceeded the maximum number of *items* permitted, *number*

More than *number* of *items* were specified. Reduce the number of *items* and reissue the command – ADM

TM427 -- Error in file *config\_file\_name*, line *line\_number*, offset *char\_offset*, with value *value*. The server name specified, *char\_string*, is invalid

The server name specified by *char-string* is invalid. Specify a correct server name and reissue the command. – ADM

TM428 -- Error in file *config\_file\_name*, line *line\_number*, with statement preceding *keyword\_parameter*. Parameter *keyword\_parameter* is required in the preceding statement.  
*keyword\_parameter* is required in the preceding statement. Specify *keyword\_parameter* and reissue the command. – ADM

TM429 -- Error in file *config\_file\_name*, line *line\_number*, offset *char\_offset*, with value *value*. The *value* specified, *char\_string*, cannot exceed *number* characters.  
The name *char\_string* is too long. The maximum length is *number*. Reduce length of name and reissue the command. – ADM

TM430 -- Error in file *config\_file\_name*, line *line\_number*, offset *char\_offset*, with value *value*. *value char\_string* has already been defined  
The parameter *char\_string* has already been defined. Remove this instance of the parameter and reissue the command. – ADM

TM433 -- Error in file *config\_file\_name*, line *line\_number*, offset *char\_offset*, with value *value*. *value value* has not been defined  
The item specified by the *value* value has not been defined. Add the definition of *value*. – ADM

TM435 -- Unable to set the effective user ID of *process\_name* to root (errno = *errno*)  
TMF process, *process\_name*, must execute as root. The process was terminated because the effective user identifier could not be set to root; the error returned is *errno*. – ADM

TM436 -- The device group for device, *device\_name*, cannot be modified when the device is configured up  
The device cannot be reassigned a device group name unless it is in a down state. The *tmconfig(8)* request has been terminated. Configure the device down and reissue the command. – ADM

TM437 -- Unable to obtain the status of the *type*, *parameter* (errno = *errno*)  
TMF was unable to obtain the file status of *pathname*; the error returned is *errno*. – ADM

TM438 -- The binary configuration *file* not created because of a previous error

The binary *file* file is not created because of a previous error. Correct the previous error and reissue the command. – ADM

TM439 -- A servicing front-end identifier must be specified when mandatory front-end servicing is requested

Mandatory front-end servicing was requested in the TMF configuration file with the `servicing_frontend_mandatory` option. The `servicing_frontend_id` option must also be specified with this option. – ADM

TM440 -- The servicing front-end identifier is ignored when mandatory front-end servicing is not requested.

The `servicing_frontend_id` option was specified in the TMF configuration file. This option is only required when the `servicing_frontend_mandatory` option is specified. Otherwise, it is ignored. – ADM

TM441 -- The version of command `tmconf` is incompatible with the version of the TMF daemon

The TMF daemon was unable to successfully use the `tmconf(8)` command because the version of the `tmconf(8)` command is incompatible with the version of the TMF daemon. – ADM

TM442 -- A loader name is valid only with options `-d` and `-s`

A loader name can only be specified on the `tmmls(8)` command with the `-d` or `-s` option. – ADM

TM443 -- Exceeded the limit on the maximum number of loaders which can be specified, *number*

You specified more loader names on the `tmmls(8)` command than what is allowed. – ADM

TM447 -- Unable to open file, *pathname*, needed to configure the TMF subsystem (`errno = errno`)

TMF start-up processing requires an open of the *pathname* file. TMF could not be started because this file could not be opened. The error returned is *errno*. – ADM

TM448 -- The Tape Management Facility is already active

The TMF daemon could not be started because the TMF daemon is already active. Shutdown TMF and then reissue the `tmdaemon(8)` command. – ADM

TM449 -- Unable to complete the *request* request issued to device *device* for stream *pathname* because of a hardware error  
A nonrecoverable hardware error occurred while the device was processing the *request* request. – USER

TM450 -- Unable to complete the *req* request issued to device *device* for stream *pathname* because the device is not ready  
The *device* device could not be accessed either because the device is offline or there is no volume in the drive. – USER

TM451 -- Unable to complete the *req* request issued to device *device* for stream *pathname* because the actual block size differs from the set size  
A read(2) request issued to a fixed-length I/O device failed because the block size was not set to the correct length. – USER

TM452 -- Unable to complete the *req* request issued to device *device* for stream *pathname* because the volume was not loaded correctly  
A load error was detected when attempting to mount a tape volume. – USER

TM453 -- Unable to complete the *req* request issued to device *device* for stream *pathname* because the volume is write protected  
A write(2) request failed because write(2) requests are disabled for the mounted volume. – USER

TM454 -- Unable to complete the *pathname* request issued to device *device* for stream *pathname* because the physical end of the media was detected  
A write(2) request failed because the physical end of the tape media had been reached. – USER

TM455 -- Unable to complete the *req* request issued to device *device* for stream *pathname* because the physical end of the media was detected  
The request failed because the beginning of the tape media was detected. – USER

TM456 -- Unable to complete the *req* request issued to device *device* for stream *pathname* because a filemark was detected  
The request failed because a filemark was detected. – USER

TM457 -- Unable to complete the *req* request issued to device *device* for stream *pathname* because the end of data was detected  
The request failed because the end of the recorded data was detected. – USER

TM458 -- Unable to complete the *req* request issued to device *device* for stream *pathname* because the end of tape warning was detected  
The request failed because the early warning marking, indicating that the tape is positioned close to the physical end-of-tape, has been detected. – USER

TM459 -- Unable to complete the *req* request issued to device *device* for stream *pathname* because the device state has changed  
Either the volume has been changed or the device was reset while processing the *req* request. – USER

TM460 -- Unable to complete the *req* request issued to device *device* for stream *pathname* because a setmark was detected  
The request failed because a setmark was detected. – USER

TM461 -- Unable to complete the *req* request issued to device *device* for stream *pathname* because the device mode is incompatible with the media mode  
The mode in which the media was recorded is incompatible with the current device mode. – USER

TM462 -- Unable to complete the *req* request issued to device *device* for stream *pathname* because of an unrecovered data error  
An error was detected with the recorded data. – USER

TM463 -- Unable to complete the *req* request issued to device *device* for stream *pathname* because the request was invalid  
An invalid request was sent to the tape device. – USER

TM464 -- Unable to complete the *req* request issued to device *device* for stream *pathname* because the block size exceeds the request size  
A read(2) request failed because the buffer size is not large enough for the recorded data block. – USER

TM465 -- Unable to complete the *req* request issued to device *device* for stream *pathname* because the volume was not loaded correctly

The requested tape volume was not properly loaded which caused the user's request to fail. Contact your system support staff. – USER/ADM

TM466 -- Unable to complete the *req* request issued to device *device* for stream *pathname* because of a hardware error

The tape driver detected a fatal hardware error, which prevented the successful execution of the user's request. Contact your system support staff. – USER/ADM.

TM467 -- Unable to complete the *req* request issued to device *device* for stream *pathname* because the device is not ready

The requested tape has been loaded but is currently not ready. Contact your system support staff. – USER/ADM

TM468 -- Unable to complete the *req* request issued to device *device* for stream *pathname* because the actual block size differs from the set size

The block size of data on the requested tape is different from the size specified in the *tmmnt(1)* command. – USER

TM469 -- Unable to position by files

TMF was unable to skip the specified number of files. Check your TMF message file for additional information about the positioning error. – USER

TM470 -- Unable to write a filemark to volume *volume*

TMF was unable to write a filemark to the *volume* volume. Check your TMF message file for additional information about the write filemark error. – USER

TM471 -- Option *option* cannot be specified in the *tmmnt* parameters

The *tmmnt(1)* *option* option was specified on the additional parameters option, *-p* or *-P* of the *tmlist(1)* command. It is not a valid option. Remove this option from the additional parameters option value and reissue the *tmlist(1)* command. – USER

TM472 --The specified loader, *loader*, has no associated devices

The administrator issued a *tmconfig(8)* request for a loader that does not have any associated devices. – ADM

TM473 -- Device *device* is not supported

The *device* device, specified in the TMF configuration file, is a type that TMF does not support. TMF startup will be terminated. Remove the *device* device, which is not a valid entry, and restart TMF. – ADM

TM474 -- No devices have been configured

No valid devices have been specified in the TMF configuration file. TMF startup will be terminated. Correct the configuration file and restart TMF. – ADM

TM475 -- Should error recovery be attempted for the session on device *device*. Reply y/n?

An I/O error was encountered on the *device* device. You must specify whether error recovery should be attempted. Reply **y** for “yes” or **n** for “no.” – ADM

TM476 -- Unable to allocate a new device for error recovery.  
Reply y/n to retry the assigned device.

An I/O error was encountered on the assigned device. TMF error recovery could not assign another device. Reply **y** to attempt error recovery using the assigned device. – ADM

TM477 -- The load failure retry limit has been reached

TMF was unable to recover from a volume load error before reaching the retry limit. – USER

TM478 -- Unable to load volume *volume* on device *device*

An autoloader volume mount of the *volume* volume on the *device* device completed successfully, but the device was not able to correctly load the volume. The mount request has been terminated. – USER

TM479 -- Unable to complete the mount request (errno = *errno*)

A mount request failed with the *errno* error. See your TMF message file for additional information on the error. – USER

TM480 -- The operator has forcibly released your tape resources

The administrator has issued a `tmfrls(8)` command, and all your resources have been released. – USER

TM482 -- Accounting routines are not available, accounting is disabled

The administrator attempted to start TMF with accounting enabled, but the accounting feature is not installed on this IRIX release. – USER

TM500 -- Select error (errno = *error*)

An error occurred while the `tmavr` process was waiting for a request from the TMF daemon. Run the `tmcollect(8)` command and give this information to your system support staff. – ADM

TM501 -- Device operation *operation type* failed for device *name* file *path* (*reason: errno = error*)

An error *operation type* occurred while the `tmavr` process was attempting to collect label information on the *name* device. Run the `tmcollect(8)` command and give this information to your system support staff. – ADM

TM502 -- An invalid AVR request (*code*) was sent to `tmavr`.

The `tmavr` process received an unexpected command *code* while automatic volume recognition (AVR) was being used. Run the `tmcollect(8)` command and give this information to your system support staff. – ADM

TM503 -- Unexpected *errno (error)*, expected `ESRCH` on kill for process *pid*

The system could not deliver a signal to a `tmavr` process *pid*. Run the `tmcollect(8)` command and give this information to your system support staff. – ADM

TM504 -- Label read failed for device *name* (*reason*); should the tape be used? Reply *y/n*

A label could not be read on the *name* device for *reason*. The administrator is asking you if the tape should be used. Answer **y** for “yes” or **n** for “no.” – USER/ADM

TM505 -- Error in file *file*, line *line*, offset *offset*, with value *value* *group device* a library device may not belong to a device group with AVR enabled

The library device may not belong to a device group for which automatic volume recognition (AVR) has been specified. Correct the TMF configuration file and restart TMF. – ADM

TM911 -- TMF failure, please run `/usr/tmf/bin/tmcollect` for: *reason*

An internal TMF error has been detected *reason*, and this message is logged to the `/var/spool/tmf/daemon.stderr` file. Run the `tmcollect(8)` command and give this information to your system support staff. – ADM

TM994 -- Unable to open TMF lockfile *lockfile* (*errno = errno*)



During TMF initialization, the TMF daemon could not open the lockfile required for startup. – ADM

TM995 -- The use of the Tape Management Facility (TMF) is regulated by\n license. The License Manager is unable\n to grant permission to use TMF (error *errno* - *reason*)\n Contact SGI to obtain a license and/or a key\n to use this software.

TM996 -- Process *process id* has open tape device and can't be killed.

TMF is attempting to remove an active user and cannot kill the process that opened the tape file. – ADM

TM997 -- Process *process id* exited , killing related pids with *command*.

TMF has detected the exit of the user process that owns the open tape file. It is attempting to kill any related processes. – ADM

TM998 -- Tape subsystem terminating, request denied

A request was terminated because TMF is in the shutdown process. Reissue the request after TMF has been brought up. – USER

TM999 -- Tape subsystem busy, TMF daemon termination pending.

TMF is terminating and has found an active user; this delays the termination. – ADM



## Man Pages

This appendix lists the man pages for the TMF user commands.

Individual man pages are available online and can be accessed by using the `man(1)` command as shown in the following example:

```
% man tmstat
```

You can print copies of online man pages by using the pipe symbol with the `man(1)`, `col(1)`, and `lpr(1)` commands. In the following example, these commands are used to print a copy of the `tmstat(1)` man page:

```
% man tmstat | col -b | lpr
```

Each man page includes a general description of one or more commands, system calls, or other topics, and provides details of their usage (command syntax, parameters, and so on).

- User commands

```
msggr(1)  
tmcatalog(1)  
tmlist(1)  
tmmnt(1)  
tmrls(1)  
tmrst(1)  
tmrsv(1)  
tmstat(1)
```



---

# Index

## A

ANSI standard labels . . . . . 16  
Architecture . . . . . 2  
Automatic volume recognition . . . . . 6  
AVR  
  See "Automatic volume recognition" . . . . . 6

## B

Basic tape procedures . . . . . 28  
Block size . . . . . 27, 28  
Block size definition . . . . . 8  
Blocks . . . . . 22  
Bypasslabel processing definition . . . . . 6

## C

C applications . . . . . 39  
C examples  
  executing cexam2.c . . . . . 42  
  library routine usage . . . . . 40  
Cartridges . . . . . 29  
cat command . . . . . 27  
cd command . . . . . 35  
Closing tapes . . . . . 25  
Command names . . . . . 25  
Commands  
  cat . . . . . 27  
  cd . . . . . 35  
  cp . . . . . 25, 27, 28, 33  
  cpio . . . . . 25, 28, 36  
  dd . . . . . 25, 27, 28, 34  
  man . . . . . 25, 133  
  man pages . . . . . 133

msggr . . . . . 33, 133  
rls . . . . . 26  
rsv . . . . . 26  
tar . . . . . 25, 28  
tmcatalog . . . . . 133  
tmfrls . . . . . 27  
tmllist . . . . . 133  
tmmnt  
  basic procedure . . . . . 28  
  creating tapes . . . . . 16  
  man page . . . . . 27, 133  
  multifile tapes . . . . . 36  
  tape formats . . . . . 11  
  tape manipulation . . . . . 25  
  tutorial procedures . . . . . 33–36  
tmrls  
  basic procedure . . . . . 28  
  man page . . . . . 133  
  tutorial procedures . . . . . 34–38  
  UNICOS counterpart . . . . . 26, 27  
tmrst . . . . . 31, 133  
tmrsv  
  basic procedure . . . . . 28  
  man page . . . . . 133  
  tape log . . . . . 32  
  tutorial procedures . . . . . 33–37  
  UNICOS counterpart . . . . . 26  
tmstat . . . . . 31, 133  
tmstop . . . . . 26  
tmunld . . . . . 26  
tpdstop . . . . . 26  
tpu . . . . . 26  
xsfdump . . . . . 27  
Communications . . . . . 4  
Computer systems . . . . . 1  
Concatenated tape files . . . . . 7  
Configuration file

- See "TMF configuration file" . . . . . 26
- Copying files . . . . . 33, 34
- cp command . . . . . 25, 27, 28, 33
- cpio command . . . . . 25, 28, 36
- D**
- dd command . . . . . 25, 27, 28, 34
- Definitions . . . . . 8
- Device group definition . . . . . 8
- Device name definition . . . . . 8
- Device type definition . . . . . 8
- Devices . . . . . 1, 2
- Diagrams . . . . . 2, 11
- Differences
- TMF . . . . . 25
- UNIXOS tape subsystem . . . . . 25
- E**
- EMASS libraries . . . . . 6
- End-of-tape detection . . . . . 4
- EOF1 labels . . . . . 13, 19
- EOF2 labels . . . . . 13, 22
- EOV processing . . . . . 7
- EOV1 labels . . . . . 13, 19
- EOV2 labels . . . . . 13, 22
- Errors . . . . . 89
- /etc directory . . . . . 27
- Examples
- creating a tape . . . . . 29
- reading tape files . . . . . 29
- See also "C examples" . . . . . 40
- tape.msg listing . . . . . 32
- tmrst status display . . . . . 31
- tmstat status display . . . . . 31
- External volume identifiers . . . . . 8, 29
- External VSN definition . . . . . 8
- F**
- Features . . . . . 1
- ffbksp routine . . . . . 39
- ffclose routine . . . . . 39
- ffopen routine . . . . . 39
- ffread routine . . . . . 39
- ffseek routine . . . . . 39
- ffweof routine . . . . . 39
- ffwrite routine . . . . . 39
- FID
- See "File identifier" . . . . . 28
- File identifiers . . . . . 8, 28
- Filemarks . . . . . 11
- Files . . . . . 26
- Flexible file I/O (FFIO) . . . . . 39
- Formats . . . . . 11
- Front-end servicing . . . . . 7
- H**
- Hardware . . . . . 1
- HDR1 labels . . . . . 13, 19
- HDR2 labels . . . . . 13, 22
- I**
- I/O . . . . . 39
- IBM compatible tape format . . . . . 11
- IBM libraries . . . . . 6
- IBM standard labels . . . . . 16
- Internal volume identifiers . . . . . 8, 30
- IRIX systems . . . . . 1
- L**
- Label support . . . . . 6
- Label type definition . . . . . 8

Label types . . . . .	17
Libraries . . . . .	1, 2, 6
Library routines	
ffbksp . . . . .	39
ffclose . . . . .	39
ffopen . . . . .	39
ffread . . . . .	39
ffseek . . . . .	39
ffweof . . . . .	39
ffwrite . . . . .	39
Loaders . . . . .	1
See also "Libraries" . . . . .	1
Log files . . . . .	7, 32

**M**

man command . . . . .	25, 133
Man pages	
printing . . . . .	133
TMF user commands . . . . .	133
usage . . . . .	133
Message log file . . . . .	7
Messages	
error . . . . .	89
operator . . . . .	33
system . . . . .	89
Mounting tapes . . . . .	28
msgr command . . . . .	33, 133
Multifile tapes	
multivolume . . . . .	14
single-volume . . . . .	14
Multifile volume allocation . . . . .	7, 36
Multiple tape files . . . . .	7

**N**

Nonlabeled tapes	
definitions . . . . .	6
formats . . . . .	11

**O**

OpenVault . . . . .	6, 29
Owner ID field . . . . .	17

**P**

Partitions . . . . .	29
Path name definition . . . . .	8
PCLs	
See "Physical cartridge labels" . . . . .	29
Physical cartridge labels . . . . .	29
Positioning . . . . .	6

**R**

Reading multifile tapes . . . . .	36
Reading tapes . . . . .	25, 36
Record length definition . . . . .	8
Releasing tapes . . . . .	28
Reserving tapes . . . . .	28
Resource management . . . . .	6
Return values . . . . .	49
rls command . . . . .	26
rsv command . . . . .	26

**S**

Session identifier definition . . . . .	8
Single filemark format . . . . .	6, 12
Standard commands	
See "Commands" . . . . .	33
Standard level field . . . . .	17
Status	
tape information . . . . .	25
tmrst command . . . . .	31
tmstat command . . . . .	31
Storage library management facility . . . . .	6

StorageTek libraries . . . . . 6  
 Suffix changes . . . . . 25  
 System messages . . . . . 89

## T

Tape formats . . . . . 11  
 Tape message log file . . . . . 7  
 Tape positioning . . . . . 49  
 Tape subsystem  
   See "TMF" . . . . . 1  
 Tape usage  
   basic procedures . . . . . 28  
   creating a tape . . . . . 29  
   reading tape files . . . . . 29  
   tape status . . . . . 30  
   tutorial . . . . . 25  
 tape.msg file . . . . . 32  
 tar command . . . . . 25, 28  
 Terminology . . . . . 8  
 text\_tapeconfig file . . . . . 26  
 tmcatalog command . . . . . 25, 133  
 tmclr command . . . . . 25  
 tmconf command . . . . . 25  
 tmconfig command . . . . . 25  
 tmdaemon command . . . . . 25  
 TMF . . . . . 1  
 TMF configuration file  
   configuration description . . . . . 6  
   device name . . . . . 8  
   resource names . . . . . 32  
   tmf.config . . . . . 26  
   tmstat command . . . . . 31  
 tmf.config file  
   differences . . . . . 26  
   See also "TMF configuration file" . . . . . 26  
 tmfrls command . . . . . 25, 27  
 tmgstat command . . . . . 25  
 tmlabel command . . . . . 25  
 tmllist command . . . . . 133  
 tmmls command . . . . . 25

tmmnt command  
   basic procedure . . . . . 28  
   creating tapes . . . . . 16  
   differences . . . . . 25  
   man page . . . . . 27, 133  
   multifile tapes . . . . . 36  
   OpenVault cartridges . . . . . 29  
   OpenVault volumes . . . . . 30  
   tape formats . . . . . 11  
   tape manipulation . . . . . 25  
   tutorial procedures . . . . . 33–36  
 tmmql command . . . . . 25  
 tmrls command  
   basic procedure . . . . . 28  
   man page . . . . . 133  
   tutorial procedures . . . . . 34–38  
   UNICOS counterpart . . . . . 26, 27  
 tmrst command . . . . . 25, 31, 133  
 tmrsv command  
   basic procedure . . . . . 28  
   man page . . . . . 133  
   tape log . . . . . 32  
   tutorial procedures . . . . . 33–37  
   UNICOS counterpart . . . . . 26  
 tmset command . . . . . 25  
 tmstat command . . . . . 25, 31, 133  
 tmstop command . . . . . 26  
 tmunld command . . . . . 26  
 tpcatalog command . . . . . 25  
 tpclr command . . . . . 25  
 tpconf command . . . . . 25  
 tpconfig command . . . . . 25  
 tpdaemon command . . . . . 25  
 tpdstop command . . . . . 26  
 tpfrls command . . . . . 25  
 tpgstat command . . . . . 25  
 tplabel command . . . . . 25  
 tplist command . . . . . 25  
 tpmls command . . . . . 25  
 tpmnt command . . . . . 25  
 tpmql command . . . . . 25



---

tprst command . . . . .	25	Volume ID field . . . . .	17
tpset command . . . . .	25	Volume mounting . . . . .	6
tpstat command . . . . .	25	Volume names . . . . .	30
tpu command . . . . .	26	Volume serial number . . . . .	28
Tutorial . . . . .	25	VSN	
		See "Volume serial number" . . . . .	28
<b>U</b>			
UNICOS tape subsystem			
differences . . . . .	25		
See also "TMF" . . . . .	25		
User commands . . . . .	133		
User EOV processing . . . . .	7		
/usr/bin directory . . . . .	27		
/usr/lib/tp directory . . . . .	27		
/usr/tmf/bin directory . . . . .	27		
<b>V</b>			
VOL1 labels . . . . .	13, 17		
<b>W</b>			
		write system call . . . . .	4
		Writing tapes . . . . .	25, 36
<b>X</b>			
		xfsdump command . . . . .	27