
Installation of a DVD-ROM Drive in SGI® Origin® 350 Compute Modules, SGI® Onyx® 350 Compute Modules, and Rack-mountable Silicon Graphics® Tezro™ Visual Workstations

To install a DVD-ROM drive in an Origin 350 compute module, Onyx 350 compute module, or rack-mountable Silicon Graphics Tezro visual workstation, you need the following items:

- One slimline DVD-ROM
- One 6-32 x 3/8-in. pan head TORX® screw with washer
- One Phillips screwdriver
- One T10 ballpoint TORX driver

Note: In order to install a DVD-ROM in a compute module, the compute module must contain an IO9 PCI card. The Silicon Graphics Tezro visual workstation always contains an IO9 PCI card.



Caution: Observe electrostatic discharge (ESD) precautions during the entire procedure to eliminate possible ESD damage to the equipment. Always wear an SGI-approved wrist strap that is connected directly to earth ground when you handle an ESD-sensitive device.

To install a DVD-ROM drive in an Origin 350 compute module, Onyx 350 compute module, or rack-mountable Silicon Graphics Tezro workstation, follow these steps:

1. Power off the system, as follows:
 - a. Shut down the IRIX® operating system by entering the following command:

```
# init 0
```

-
- b. Access the L1 prompt by pressing `Ctrl+T`.
 - c. Power off the system by entering the following command at the L1 prompt:
`001c01-L1> * power down`
 2. Disconnect all of the cables from the rear of the compute module or workstation.

Note: From this point on, the term module refers to both the compute module and the workstation.

3. Remove the module from the rack by performing the following steps (see Figure 1):
 - a. Remove the 2 Phillips screws that secure the module to the front rails of the rack.
 - b. Pull the module out of the rack until it is stopped by the safety latches.
 - c. Press the safety latches on both sides of the module and pull the module out of the slide-rail assembly.
 - d. Place the module on a flat, stable surface.
 - e. To push the slide-rail assembly back into the rack, press the slide latch to release the rail. Each rail has one slide latch. On one rail, the slide latch is located on top of the rail. On the other rail, the slide latch is located on the bottom of the rail.

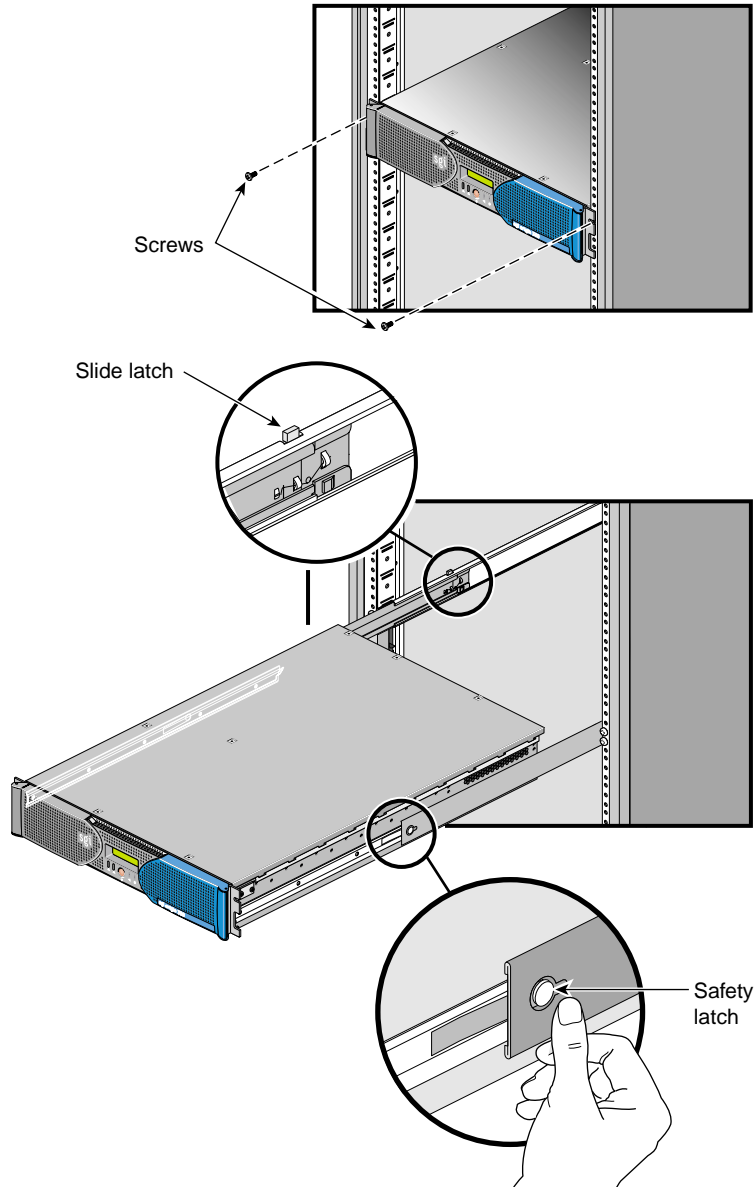


Figure 1 Removing Module from Rack



Warning: Components could be hot. To avoid injury, allow the components to cool for approximately 5 minutes before you proceed with these instructions.

4. Open the cover by performing the following steps (see Figure 2):
 - a. Remove the 2 Phillips screws that secure the cover to the front left side of the module.
 - b. Remove the single Phillips screw that secures the cover to the rear of the module.
 - c. Remove the 7 Phillips screws that secure the top of the cover.
 - d. Lift the cover into an upright position as shown in Figure 2.

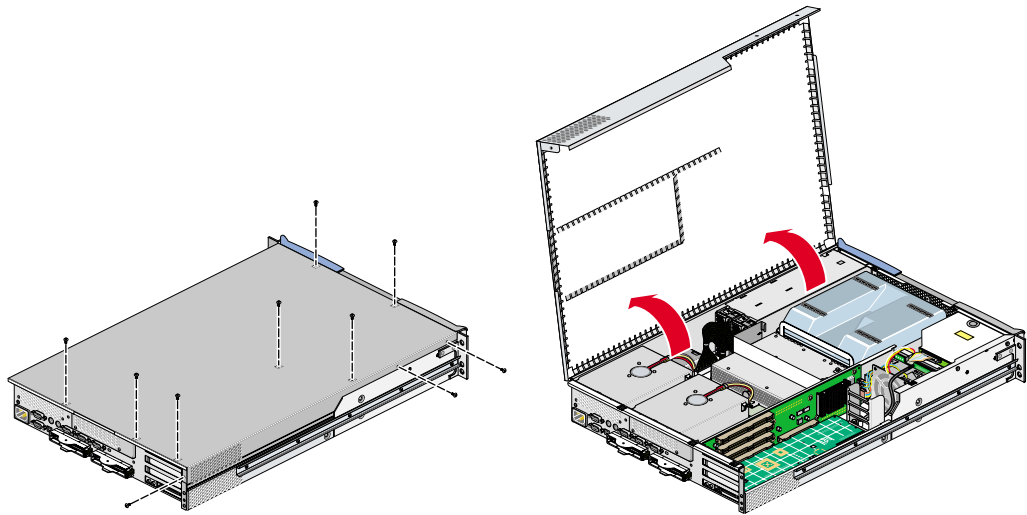


Figure 2 Opening Cover

5. From the front of the module, slide the DVD-ROM partially into the module (see Figure 3).
6. Locate the power cable within the module and attach it to the adapter board.
7. Locate the IDE cable within the module and attach it to the adapter board.

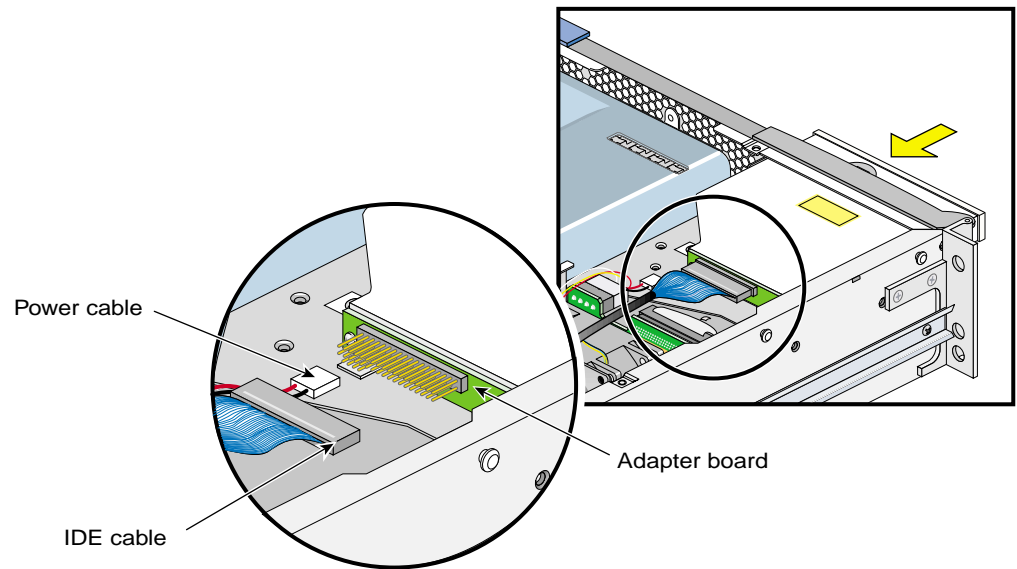


Figure 3 Installing DVD-ROM and Cables

8. Route the IDE cable through the notch in the SCSI backplane and then between the PCI bracket and the PCI riser board (see Figure 4).

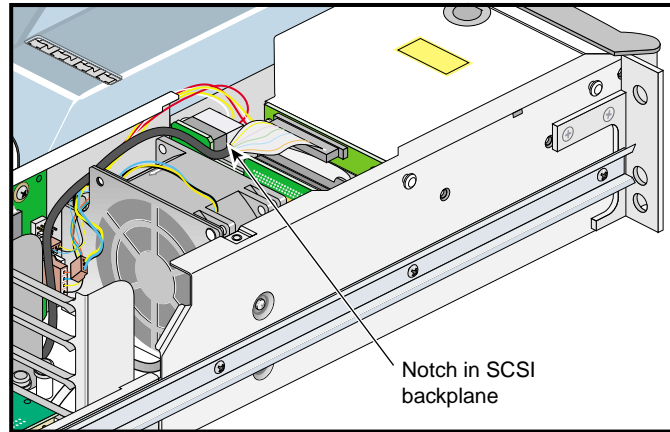


Figure 4 Routing Cable

9. Slide the DVD-ROM fully into the module.
10. Secure the DVD-ROM drive to the chassis by installing one 6-32 x 3/8-in. pan head TORX screw with washer, as shown in Figure 5.

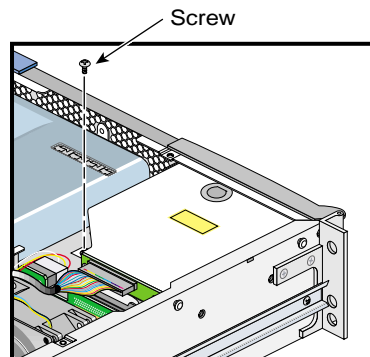


Figure 5 Securing DVD-ROM

11. Close the cover by performing the following steps (see Figure 6):



Caution: Make sure when you close the cover that the cover does not rest on any cable assemblies.

- a. Insert the 7 Phillips screws in the top of the cover.
- b. Insert the single Phillips screw at the rear of the module.
- c. Insert the 2 Phillips screws on the front left side of the module.

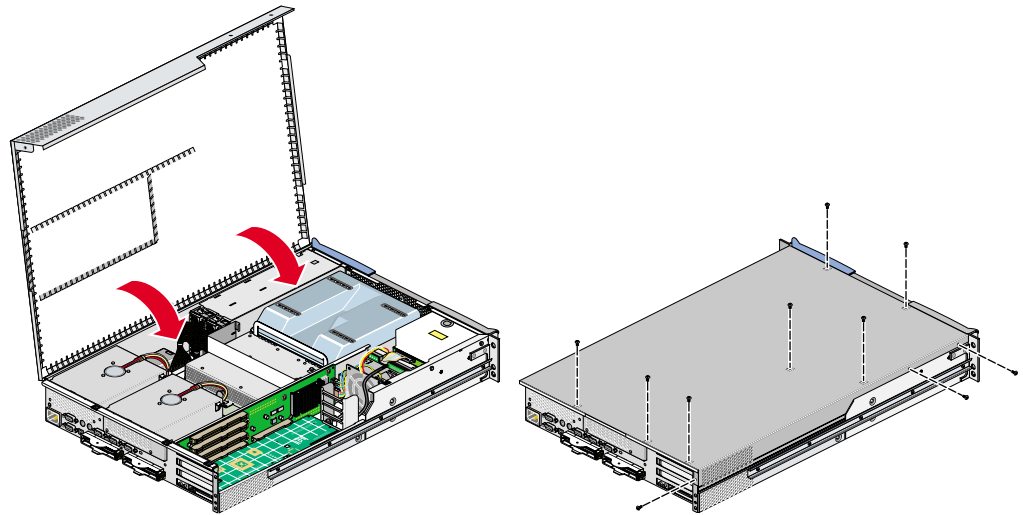


Figure 6 Closing Cover

-
12. Install the module in the rack by performing the following steps (see Figure 7):
 - a. Fully extend both the left and right slide rails from the rack until they lock into place.
 - b. Align the chassis rails with the slide rails and slide the module into the rack until the safety latches stop the module.
 - c. Press the safety latches on both sides of the module and slide the module into the rack.
 - d. Install the 2 Phillips screws that secure the module to the front rails of the rack.
 - e. Reconnect all of the cables that you disconnected from the rear of the module.
 13. Power on the system by entering the following command at the L1 prompt:
`001c01-L1> * power up`
 14. Boot the operating system, as follows:
 - a. Press **Ctrl+D** to view the power-on diagnostics (POD) and console output. When POD is complete, the following menu appears:

```
System Maintenance Menu
1) Start System
2) Install System Software
3) Run Diagnostics
4) Recover System
5) Enter Command Monitor
Option?
```
 - b. Enter **1** to boot the system.
 15. Verify the DVD-ROM installation by entering the **hinv** command. If the output to this command includes a line similar to the following, this indicates that the operating system discovered the DVD-ROM during the boot operation:
`CDROM: unit 0 on SCSI controller 2`

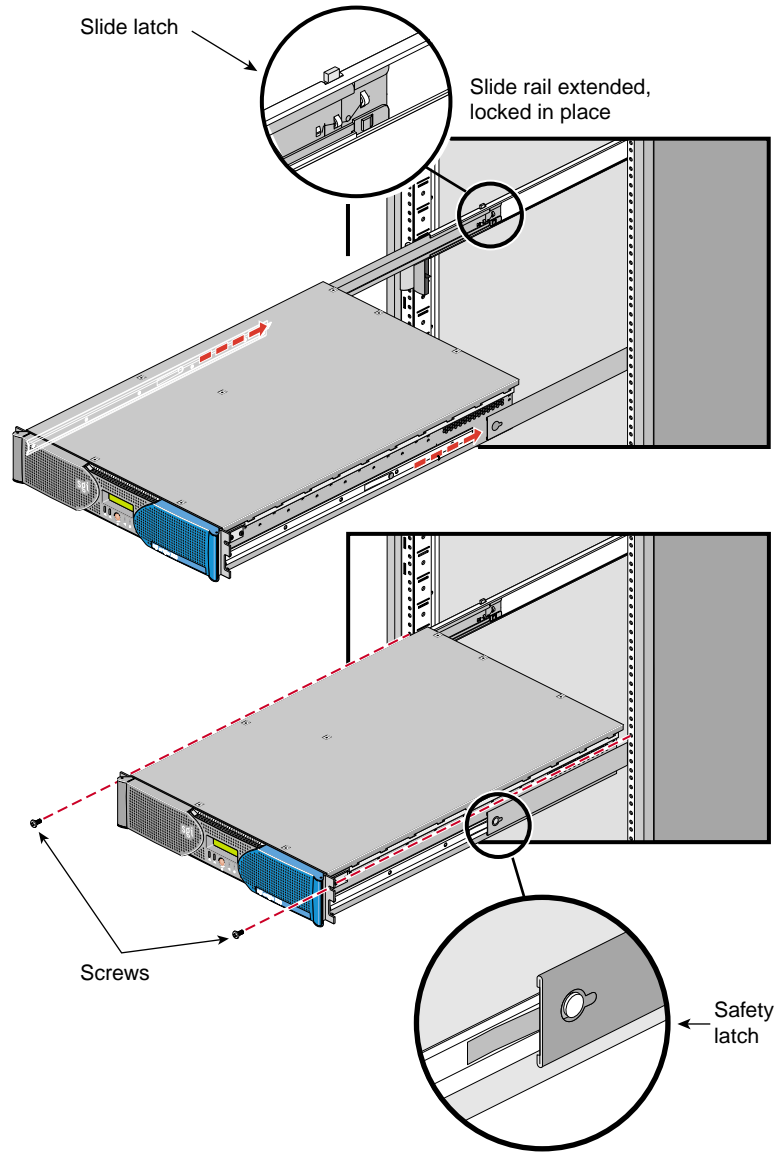


Figure 7 Installing Module in Rack

© 2003 Silicon Graphics, Inc. All rights reserved. Silicon Graphics, SGI, Onyx, IRIX, and Origin are registered trademarks and Tezro is a trademark of Silicon Graphics, Inc., in the United States and/or other countries worldwide. TORX is a registered trademark of Textran, Inc.