

**SGI® Altix® ICE 8200 Series
System Hardware User's Guide**

Document Number 007-4986-002

COPYRIGHT

© 2007-2008 SGI. All rights reserved; provided portions may be copyright in third parties, as indicated elsewhere herein. No permission is granted to copy, distribute, or create derivative works from the contents of this electronic documentation in any manner, in whole or in part, without the prior written permission of SGI.

LIMITED RIGHTS LEGEND

The software described in this document is "commercial computer software" provided with restricted rights (except as to included open/free source) as specified in the FAR 52.227-19 and/or the DFAR 227.7202, or successive sections. Use beyond license provisions is a violation of worldwide intellectual property laws, treaties and conventions. This document is provided with limited rights as defined in 52.227-14.

The electronic (software) version of this document was developed at private expense; if acquired under an agreement with the USA government or any contractor thereto, it is acquired as "commercial computer software" subject to the provisions of its applicable license agreement, as specified in (a) 48 CFR 12.212 of the FAR; or, if acquired for Department of Defense units, (b) 48 CFR 227-7202 of the DoD FAR Supplement; or sections succeeding thereto. Contractor/manufacturer is SGI, 1140 E. Arques Avenue, Sunnyvale, CA 94085.

TRADEMARKS AND ATTRIBUTIONS

Altix, SGI, and the SGI logo are registered trademarks of SGI, in the United States and/or other countries worldwide.

Intel, Itanium and Xeon are trademarks or registered trademarks of Intel Corporation or its subsidiaries in the United States and other countries.

UNIX is a registered trademark in the United States and other countries, licensed exclusively through X/Open Company, Ltd.

Infiniband is a trademark of the InfiniBand Trade Association.

Voltaire is a registered trademark of Voltaire Inc.

Scali Manage is a trademark of Scali AS, Oslo Norway.

Linux is a registered trademark of Linus Torvalds.

All other trademarks mentioned herein are the property of their respective owners.

Record of Revision

Version	Description
-001	July, 2007 First Release
-002	March, 2008 InfiniBand, processor, service node, I/O and memory enhancements

Contents

List of Figures	ix
List of Tables	xi
Audience	xiii
Important Information	xiii
Chapter Descriptions	xiv
Related Publications	xv
Conventions	xvii
Product Support	xvii
Reader Comments	xviii
1. Operation Procedures	1
Precautions	1
ESD Precaution	1
Safety Precautions	2
Console Connections	3
Powering the System On and Off	4
Preparing to Power On	5
Powering On and Off	8
Console Management Power (cpower) Commands	8
Monitoring Your Server	11
2. System Management	13
Using the 1U Console Option	15
Levels of System and Chassis Control	15
Chassis Controller Interaction	15
Chassis Manager Interconnects	16
Chassis Management Control (CMC) Functions	17
Chassis Management Control Front Panel Display	17

	System Power Status	18
3.	System Overview	19
	System Models	20
	System Architecture	23
	Memory Controller HUB	23
	System Bus Interface	23
	Memory Control Sub-system	23
	Memory DIMM Subsystem	24
	ESB-2 I/O Controller	24
	System Features and Major Components	27
	Modularity and Scalability	27
	System Administration Server	28
	Rack Leader Controller	28
	Service Nodes	29
	Login Server Function	29
	Batch Server Node	30
	I/O Gateway Node	30
	Multiple Chassis Manager Connections	31
	Reliability, Availability, and Serviceability (RAS)	33
	System Components	34
	IRU (Unit) Numbering	35
	Rack Numbering	36
	Optional System Components	36
4.	Rack Information	37
	Overview	37
	Altix ICE 8200 Series Rack (42U)	38
	Technical Specifications	41
5.	ICE Administration/Controller Modules	43
	Overview	43
	Administrative/Controller Servers	44
	Rack Leader Controller Server	46
	Optional 2U Service Nodes	47

6.	Basic Troubleshooting	49
	Troubleshooting Chart	50
	LED Status Indicators	51
	IRU Power Supply LEDs	51
	Compute/Memory Blade LEDs	52
	Chassis Management Panel “Service Required” Notices	53
A.	Technical Specifications and Pinouts	55
	System-level Specifications	55
	Physical and Power Specifications	56
	Environmental Specifications	57
	I/O Port Specifications	58
	Ethernet Port	59
	Serial Ports	60
B.	Safety Information and Regulatory Specifications	63
	Safety Information	63
	Regulatory Specifications	65
	CMN Number	65
	CE Notice and Manufacturer’s Declaration of Conformity	65
	Electromagnetic Emissions	66
	FCC Notice (USA Only)	66
	Industry Canada Notice (Canada Only)	67
	VCCI Notice (Japan Only)	67
	Chinese Class A Regulatory Notice	67
	Korean Class A Regulatory Notice	67
	Shielded Cables	68
	Electrostatic Discharge	68
	Laser Compliance Statements	69
	Lithium Battery Statements	70
	Index	71

List of Figures

Figure 1-1	Flat Panel Rackmount Console Option	3
Figure 1-2	Administrative Controller Video Console Connection Example	4
Figure 1-3	IRU Power Supply Cable Location Example	5
Figure 1-4	Single-Phase Rack PDU Circuit Breaker Switches	6
Figure 1-5	Three-Phase PDU Example	7
Figure 1-6	Chassis Management Front Panel Example	11
Figure 1-7	IRU Chassis Management Board Location Example	12
Figure 2-1	SGI Altix ICE System Network Access Example	14
Figure 2-2	Chassis Manager Interconnection Diagram Example	16
Figure 2-3	Chassis Management Control Interface Front Panel	17
Figure 3-1	SGI Altix ICE 8200 Series System (Single Rack)	20
Figure 3-2	IRU and Rack Components Example	22
Figure 3-3	Functional Block Diagram of the Individual Rack Unit (IRU)	26
Figure 3-4	Rear View of 1U Service Node	29
Figure 3-5	2U-high Service Node Rear Panel	30
Figure 3-6	Administration and Rack Leader Control Cabling to Chassis Managers	32
Figure 3-7	Altix ICE 8200 Series IRU System Components Example	35
Figure 4-1	Altix ICE 8200 Series Rack Example	39
Figure 4-2	Tall (42U) Altix Rack and Front Lock	40
Figure 5-1	ICE System Administration Hierarchy Example Block Diagram	44
Figure 5-2	Administrative/Controller Server Control Panel Diagram	45
Figure 5-3	1U Administration/Controller Server Front and Rear Panel	46
Figure 5-4	Front View of 2U Optional Service Node	47
Figure 5-5	Rear View of 2U Optional Service Node	47
Figure 6-1	Compute Blade Status LED Locations	52
Figure 6-2	Fan Service Required Example Message on Chassis Management Panel	53
Figure A-1	Ethernet Port	59

Figure A-2	Serial Port Connector 60
Figure B-1	VCCI Notice (Japan Only) 67
Figure B-2	Chinese Class A Regulatory Notice 67
Figure B-3	Korean Class A Regulatory Notice 67

List of Tables

Table 1-1	cpower option descriptions	8
Table 1-2	cpower example command strings	10
Table 4-1	Tall Altix Rack Technical Specifications	41
Table 5-1	System administrative server control panel functions	45
Table 6-1	Troubleshooting Chart	50
Table 6-2	Power Supply LED States	51
Table A-1	Altix ICE 8200 Series Configuration Ranges	55
Table A-2	Altix ICE 8200 Series Physical Specifications	56
Table A-3	Environmental Specifications	57
Table A-4	Ethernet Pinouts	59
Table A-5	Serial Port Pinout.	61

About This Guide

This guide provides an overview of the architecture, general operation and descriptions of the major components that compose the SGI® Altix® integrated compute environment (ICE) 8200 series blade systems. It also provides the standard procedures for powering on and powering off the system, basic troubleshooting information, and important safety and regulatory specifications.

Audience

This guide is written for owners, system administrators, and users of SGI Altix ICE 8200 series computer systems.

It is written with the assumption that the reader has a good working knowledge of computers and computer systems.

Important Information



Warning: To avoid problems that could void your warranty, your SGI or other approved system support engineer (SSE) should perform all the set up, addition, or replacement of parts, cabling, and service of your SGI Altix ICE 8200 series system, with the exception of the following items that you can perform yourself:

- Using your system console or network access workstation to enter commands and perform system functions such as powering on and powering off, as described in this guide.
- Adding and replacing disk drives in optional storage modules used with your system and using the ESI/ops panel (operating panel) on optional mass storage.

Chapter Descriptions

The following topics are covered in this guide:

- Chapter 1, “Operation Procedures,” provides instructions for powering on and powering off your system.
- Chapter 2, “System Management,” describes the function of the chassis management controllers (CMC) and provides overview instructions for operating the controllers.
- Chapter 3, “System Overview,” provides environmental and technical information needed to properly set up and configure the blade systems.
- Chapter 4, “Rack Information,” describes the system’s rack features.
- Chapter 5, “ICE Administration/Controller Modules” describes all the controls, connectors and LEDs located on the front of the stand-alone administrative, rack leader and other support server nodes. An outline of the server functions is also provided.
- Chapter 6, “Basic Troubleshooting,” provides recommended actions if problems occur on your system.
- Appendix A, “Technical Specifications and Pinouts,” provides physical, environmental, and power specifications for your system. Also included are the pinouts for the non-proprietary connectors.
- Appendix B, “Safety Information and Regulatory Specifications,” lists regulatory information related to use of the blade cluster system in the United States and other countries. It also provides a list of safety instructions to follow when installing, operating, or servicing the product.

Related Publications

The following documents are relevant to and can be used with the Altix ICE 8200 series of computer systems:

- *Superserver 6015B User's Manual*, (P/N 860-0473-00x)

This guide discusses the use, maintenance and operation of the 1U server primarily used as the administrative server and as the rack leader controller (RLC) server. This stand-alone compute node may be used as an RLC, as a login, or batch server, or other type of support server used with the Altix ICE 8200 series of computer systems.

SGI Altix XE250 User's Guide, (P/N 007-5467-00x)

This guide covers general operation, configuration, and servicing of the optional 2U Altix XE250 service node(s) used in the SGI Altix ICE 8200 series. The Altix XE250 is not used as the administrative server or rack leader controller. Check with your SGI service representative for more information on this topic.

- *SGI Tempo System Administrator's Guide*, (P/N 007-4993-00x)

This guide discusses system configuration and software administration operations used with the SGI Altix ICE 8200 series. At time of publication, this document is intended for people who manage the operation of ICE systems with SUSE Linux Enterprise Server 10 (SLES 10).

- *Scali Manage on SGI Altix ICE Systems Quick Reference Guide*, (P/N 007-5450-00x)

This guide discusses how to use Scali Manage (version 5.6.1 or later) management software to perform general system discovery, installation, configuration, and operations on SGI Altix ICE 8200 series computer systems. This guide is a reference document for people who administer SGI Altix ICE systems running SUSE Linux Enterprise Server 10 (SLES10) or Red Hat Enterprise Linux 5.1 (RHEL5.1) with SGI ProPack 5 for Linux.

- *Guide to Programming Environments and Tools Available on SGI Altix XE Systems* (P/N 007-4901-00x)

This guide describes how to use the software tools run with SGI ProPack 5 for Linux operating systems on Altix XE systems. It explains how to perform general system configuration and operations and describes programming environments and tools available.

- Man pages (online)

Man pages locate and print the titled entries from the online reference manuals.

You can obtain SGI documentation, release notes, or man pages in the following ways:

- See the SGI Technical Publications Library at <http://docs.sgi.com>. Various formats are available. This library contains the most recent and most comprehensive set of online books, release notes, man pages, and other information.
- The release notes, which contain the latest information about software and documentation in this release, are in a file named README.SGI in the root directory of the SGI ProPack for Linux Documentation CD.
- You can also view man pages by typing `man <title>` on a command line.

SGI systems include a set of Linux man pages, formatted in the standard UNIX “man page” style. Important system configuration files and commands are documented on man pages. These are found online on the internal system disk (or DVD) and are displayed using the `man` command. For example, to display a man page, type the request on a command line:

```
man commandx
```

References in the documentation to these pages include the name of the command and the section number in which the command is found. For additional information about displaying man pages using the `man` command, see `man(1)`. In addition, the `apropos` command locates man pages based on keywords. For example, to display a list of man pages that describe disks, type the following on a command line:

```
apropos disk
```

For information about setting up and using `apropos`, see `apropos(1)`.

Conventions

The following conventions are used throughout this document

:

Convention	Meaning
Command	This fixed-space font denotes literal items such as commands, files, routines, path names, signals, messages, and programming language structures.
<i>variable</i>	The italic typeface denotes variable entries and words or concepts being defined. Italic typeface is also used for book titles.
user input	This bold fixed-space font denotes literal items that the user enters in interactive sessions. Output is shown in nonbold, fixed-space font.
[]	Brackets enclose optional portions of a command or directive line.
...	Ellipses indicate that a preceding element can be repeated.
man page(<i>x</i>)	Man page section identifiers appear in parentheses after man page names.
GUI element	This font denotes the names of graphical user interface (GUI) elements such as windows, screens, dialog boxes, menus, toolbars, icons, buttons, boxes, fields, and lists.

Product Support

SGI provides a comprehensive product support and maintenance program for its products, as follows:

- If you are in North America, contact the Technical Assistance Center at +1 800 800 4SGI or contact your authorized service provider.
- If you are outside North America, contact the SGI subsidiary or authorized distributor in your country.

Reader Comments

If you have comments about the technical accuracy, content, or organization of this document, contact SGI. Be sure to include the title and document number of the manual with your comments. (Online, the document number is located in the front matter of the manual. In printed manuals, the document number is located at the bottom of each page.)

You can contact SGI in any of the following ways:

- Send e-mail to the following address: techpubs@sgi.com
- Contact your customer service representative and ask that an incident be filed in the SGI incident tracking system.
- Send mail to the following address:

Technical Publications
SGI
1140 East Arques Avenue, M/S 50-1-946
Sunnyvale, California 94085

SGI values your comments and will respond to them promptly.

Operation Procedures

This chapter explains how to operate your new system in the following sections:

- “Precautions” on page 1
- “Console Connections” on page 3
- “Powering the System On and Off” on page 4
- “Monitoring Your Server” on page 11

Precautions

Before operating your system, familiarize yourself with the safety information in the following sections:

- “ESD Precaution” on page 1
- “Safety Precautions” on page 2

ESD Precaution

Caution: Observe all ESD precautions. Failure to do so can result in damage to the equipment.

Wear an SGI-approved wrist strap when you handle an ESD-sensitive device to eliminate possible ESD damage to equipment. Connect the wrist strap cord directly to earth ground.

Safety Precautions



Warning: Before operating or servicing any part of this product, read the “Safety Information” on page 63.



Danger: Keep fingers and conductive tools away from high-voltage areas. Failure to follow these precautions will result in serious injury or death. The high-voltage areas of the system are indicated with high-voltage warning labels.



Caution: Power off the system only after the system software has been shut down in an orderly manner. If you power off the system before you halt the operating system, data may be corrupted.



Warning: If a lithium battery is installed in your system as a soldered part, only qualified SGI service personnel should replace this lithium battery. For a battery of another type, replace it only with the same type or an equivalent type recommended by the battery manufacturer, or an explosion could occur. Discard used batteries according to the manufacturer’s instructions.

Console Connections

The flat panel console option (see Figure 1-1) has the following listed features:

1. **Slide Release** - Move this tab sideways to slide the console out. It locks the drawer closed when the console is not in use and prevents it from accidentally sliding open.
2. **Handle** - Used to push and pull the module in and out of the rack.
3. **LCD Display Controls** - The LCD controls include On/Off buttons and buttons to control the position and picture settings of the LCD display.
4. **Power LED** - Illuminates blue when the unit is receiving power.

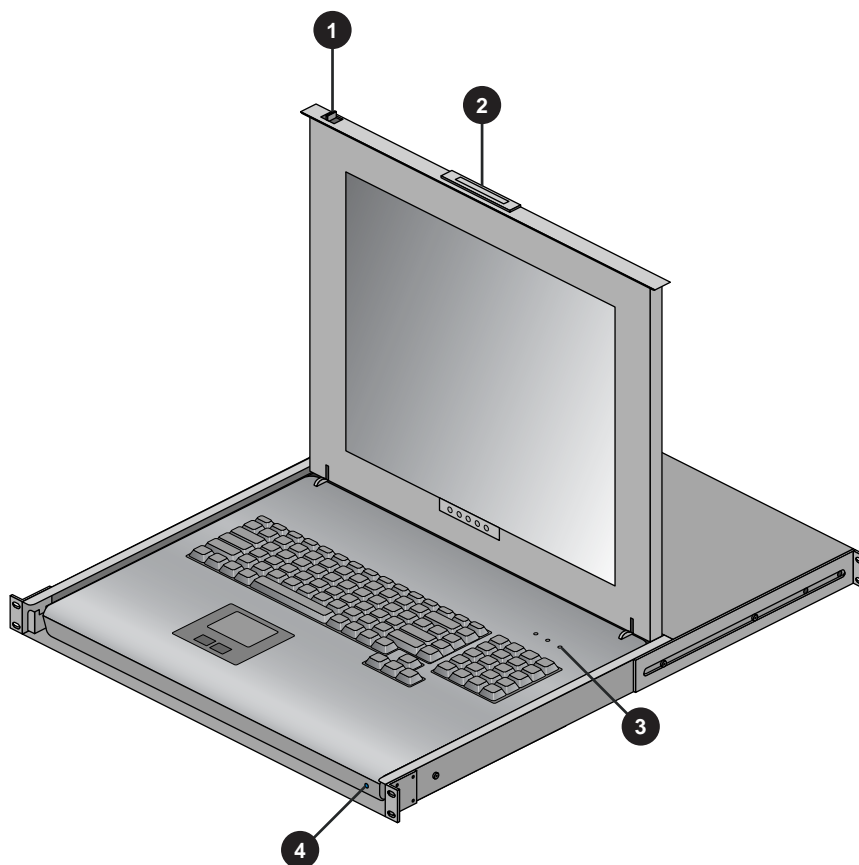


Figure 1-1 Flat Panel Rackmount Console Option

A console is defined as a connection to the system (to the administrative “node” server) that provides administrative access to the cluster. SGI offers a rackmounted flat panel console option that attaches to the administrative node’s video, keyboard and mouse connectors.

A console can also be a LAN-attached personal computer, laptop or workstation (RJ45 Ethernet connection).

In certain limited cases, a dumb terminal could be used. An RS-232 style serial connection can be used to communicate directly with the administrative node. This connection is typically used for service purposes or for system console access in smaller systems, or where an external ethernet connection is not used or available.

The flat panel rackmount or other optional VGA console connects to the administration node’s video and keyboard/mouse connectors as shown in Figure 1-2.

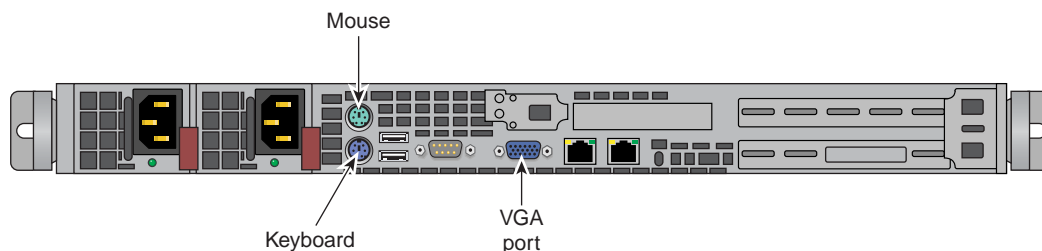


Figure 1-2 Administrative Controller Video Console Connection Example

Powering the System On and Off

This section explains how to power on and power off individual rack units, or your entire Altix ICE system, as follows:

- “Preparing to Power On” on page 5
- “Powering On and Off” on page 8

Entering commands from a system console, you can power on and power off individual IRUs, blade-based nodes, and stand-alone servers, or the entire system.

When using the SGI cluster manager software, you can monitor and manage your server from a remote location (see the *SGI Tempo System Administrator’s Guide*).

You may also monitor and manage your server with tools such as the Voltaire or Intel message passing interface (MPI). For details, see the documentation for the particular tool.

Preparing to Power On

To prepare to power on your system, follow these steps:

1. Check to ensure that the cabling between the rack's power distribution units (PDUs) and the wall power-plug receptacle is secure.
2. For each individual IRU that you want to power on, make sure that the power cables are plugged into all the IRU power supplies correctly, as shown in Figure 1-3. Setting the circuit breakers on the PDUs to the "On" position will apply power to the IRU and will start the chassis manager in each IRU. Note that the chassis manager in each IRU stays powered on as long as there is power coming into the unit. Turn off the PDU breaker switch that supplies voltage to the IRU if you want to remove all power from the unit.

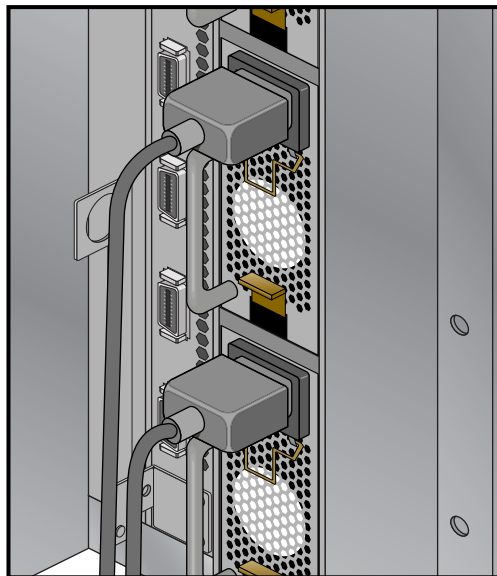


Figure 1-3 IRU Power Supply Cable Location Example

3. If you plan to power on a server that includes optional mass storage enclosures, make sure that the power switch on the rear of each PSU/cooling module (one or two per enclosure) is in the **1** (on) position.

4. Make sure that all PDU circuit breaker switches (see the examples in Figure 1-4 and Figure 1-5) are turned on to provide power when the system is booted up.

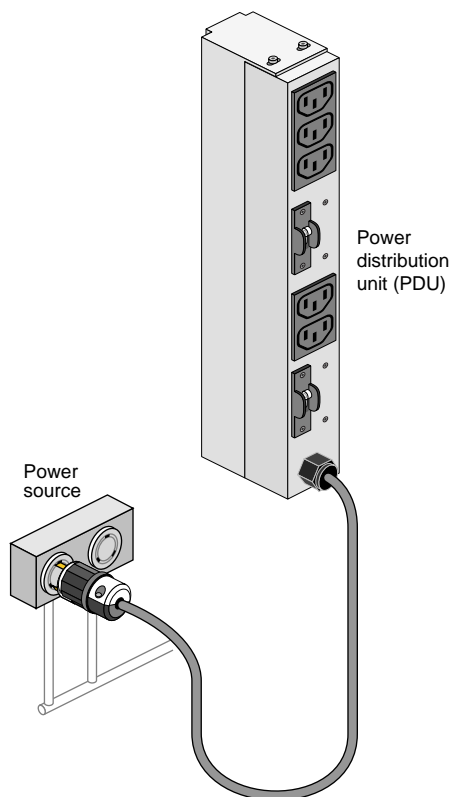
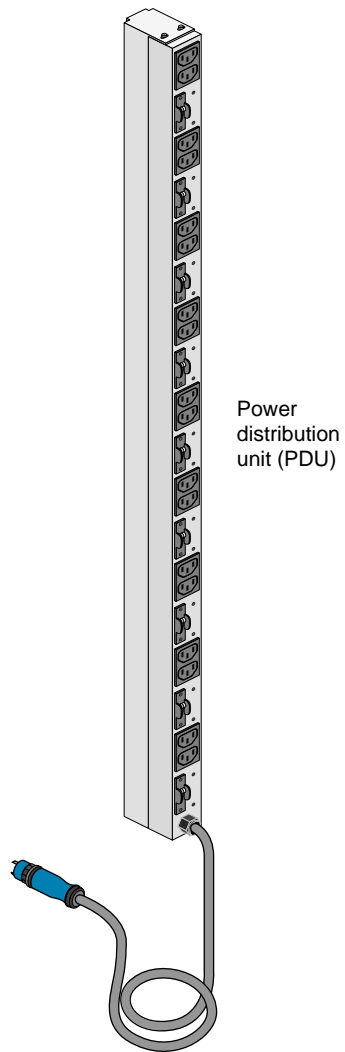


Figure 1-4 Single-Phase Rack PDU Circuit Breaker Switches

Figure 1-5 shows an example of the three-phase PDU.



Power
distribution
unit (PDU)

Figure 1-5 Three-Phase PDU Example

Powering On and Off

The power-on and off procedure varies with your system setup. See the *SGI Tempo System Administrator's Guide*, (P/N 007-4993-00x) for a more complete description of system commands.

Note: The `cpower` commands are normally run through the administration node. If you have a terminal connected to an administrative server with a serial interface, you should be able execute these commands.

Console Management Power (`cpower`) Commands

This section provides an overview of the console management power (`cpower`) commands for the SGI Altix ICE system.

The `cpower` commands allow you to power up, power down, reset, and show the power status of multiple or single system components or individual racks.

The `cpower` command is, as follows:

```
cpower <option...> <target_type> <action> <target>
```

The `cpower` command accepts the following arguments as described in Table 1-1.

Table 1-1 `cpower` option descriptions

Argument	Description
Option	
<code>--noleader</code>	Do not include rack leader nodes. Valid with rack and system domains only.
<code>--noservice</code>	Do not include service nodes.
<code>--ipmi</code>	Uses ipmitool to communicate.
<code>--ssh</code>	Uses ssh to communicate.
<code>--intelplus</code>	Use the “-o intelplus option” for ipmitool [default].
<code>--verbose</code>	Print additional information on command progress.
<code>--noexec</code>	Display but do not execute commands that affect power.

Table 1-1 (continued) cpower option descriptions

Argument	Description
Target_type	
--node	Apply the action to a node or nodes. Nodes can be blade compute nodes (inside an IRU), administration server nodes, rack leader controller nodes or service nodes.
--iru	Apply the action at the IRU level
--rack	Apply the action to all components in a rack
--system	Apply the action to the entire system. You must not specify a target with this type.
--all	Allows the use of wildcards in the target name
Action	
--status	Shows the power status of the target [default]
--up --on	Powers up the target
--down --off	Powers down the target
--cycle	Power cycles the target
--reboot	Reboot the target, even if it is already booted. Wait for all targets to boot.
--halt	Shutdown the target, but do not power it off. Wait for targets to shut down.
--help	Usage and help text

Note: If you include a rack leader controller in your wildcard specification, and a command that may take it offline, you will see a warning intended to prevent accidental resets of the RLC, as that could make the rack unreachable.

Table 1-2 cpower example command strings

Command	Status/result
# cpower --system --up	Powers up all nodes in the system (--up is the same as --on).
# cpower --rack r1	Determines the power status of all nodes in rack 1 (including the RLC), except CMCs.
# cpower --system	Provides status of every compute node in the system.

Table 1-2 (continued) cpower example command strings

Command	Status/result
# <code>cpower --boot --rack r1</code>	Boots any nodes in rack 1 not already online.
# <code>cpower --system --down</code>	Completely powers down every node in the system. Use only if you want to shut down all nodes (see the next example).
# <code>cpower --halt --system --noleader --noservice</code>	Shuts down (halts) all the IRU compute nodes in the system, but not the administrative controller server, rack leader controller or other service nodes.
# <code>cpower --boot r1i0n8</code>	Command tries to specifically boot rack 1, IRU0, node 8.
# <code>cpower --halt --rack r1</code>	Will halt and then power off all of the computer nodes in parallel located in rack 1, then halts the rack leader controller. Use --noleader if you want the RLC to remain on.

See the *SGI Tempo System Administrator's Guide*, (P/N 007-4993-00x) for more information on `cpower` commands. See the section "System Power Status" on page 18 for additional related console information.

Monitoring Your Server

You can monitor your Altix ICE 8200 server from the following sources:

- An optional flat panel rackmounted monitor with PS2 keyboard/mouse can be connected to the administration server node for basic monitoring and administration of the Altix system. See the section “Console Connections” on page 3 for more information. SLES 10 or higher is required for this option.
- You can attach an optional LAN-connected console via secure shell (ssh) to an Ethernet port adapter on the administration controller server. You will need to connect either a local or remote workstation/PC to the IP address of the administration controller server to access and monitor the system via IPMI.

See the Console Management section in the *SGI Tempo System Administrator's Guide*, (P/N 007-4993-00x) for more information on the open source console management package.

These console connections enable you to view the status and error messages generated by your Altix ICE 8200 system. You can also use these consoles to input commands to manage and monitor your system. See the section “System Power Status” on page 18, for additional information.

The chassis management front panel is an additional source of IRU status information.

Figure 1-6 shows an example of the panel and the functions it reports. Figure 1-7 on page 12 shows a front view of a system IRU and the location of the chassis management panel.

The CMC panel offers basic information on the rack (its assigned number) and various types of status information regarding the IRU chassis components. For additional information, see “Chassis Management Panel “Service Required” Notices” in Chapter 6.

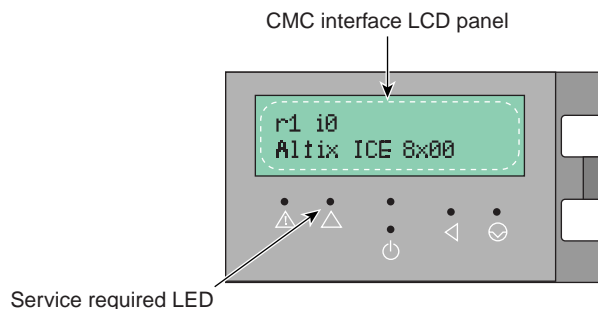


Figure 1-6 Chassis Management Front Panel Example

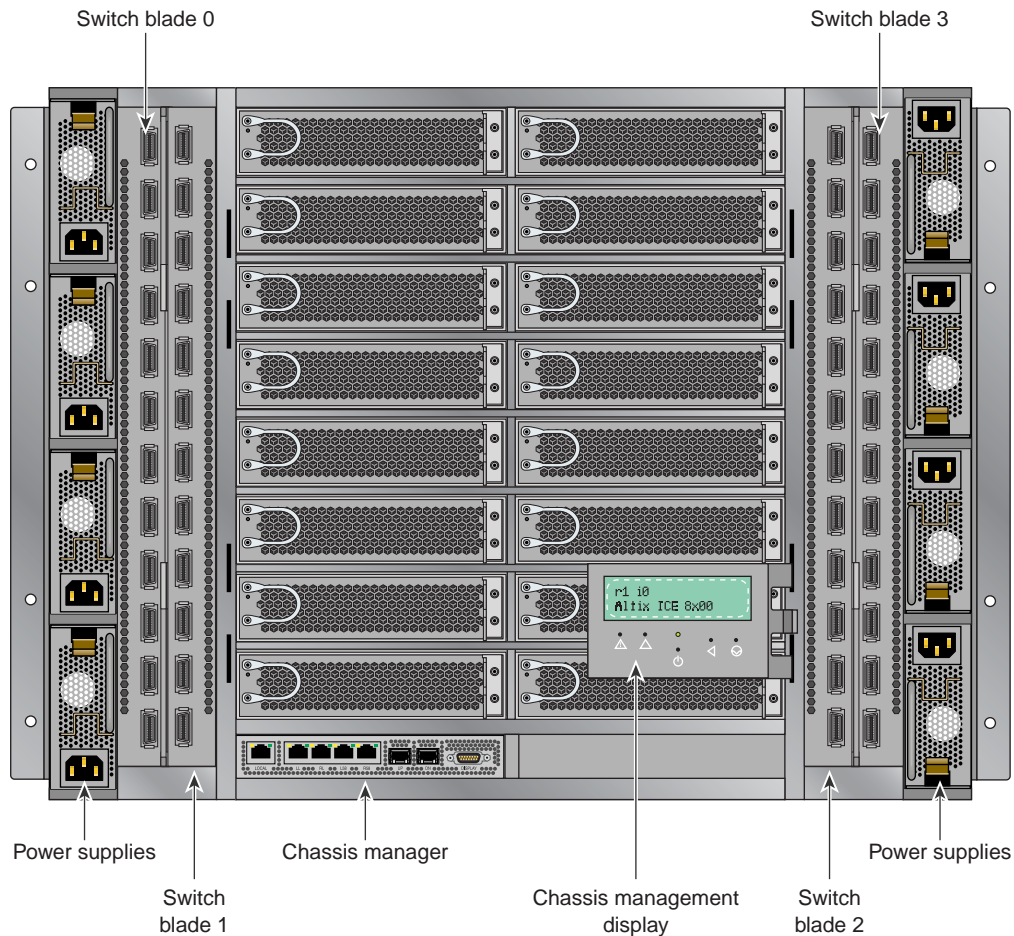


Figure 1-7 IRU Chassis Management Board Location Example

PCI/PCI-X and PCIe based I/O sub-systems are sited in the administrative controller server and rack leader controller systems I/O used with the system IRUs. These are the primary configurable I/O system interfaces for the Altix ICE 8200 systems. See the particular server's user guide for information on installing optional I/O cards or other components.

Note: The IRU uses four InfiniBand switch blades in certain configurations and two in others.

System Management

This chapter describes the interaction and functions of system controllers in the following sections:

- “Levels of System and Chassis Control” on page 15
- “Chassis Management Control (CMC) Functions” on page 17
- “System Power Status” on page 18

Each IRU has one chassis manager, which is located directly below compute blade slot 0. The chassis manager supports power-up and power-down of the IRU’s compute/memory node blades and environmental monitoring of all units within the IRU.

Note that the stand-alone (nodes) such as the administrative server, rack leader controller, or other service nodes and mass storage enclosures do *not* have a chassis manager.

Figure 2-1 shows an example remote LAN-connected console used to monitor a single-rack Altix ICE 8200 series system.

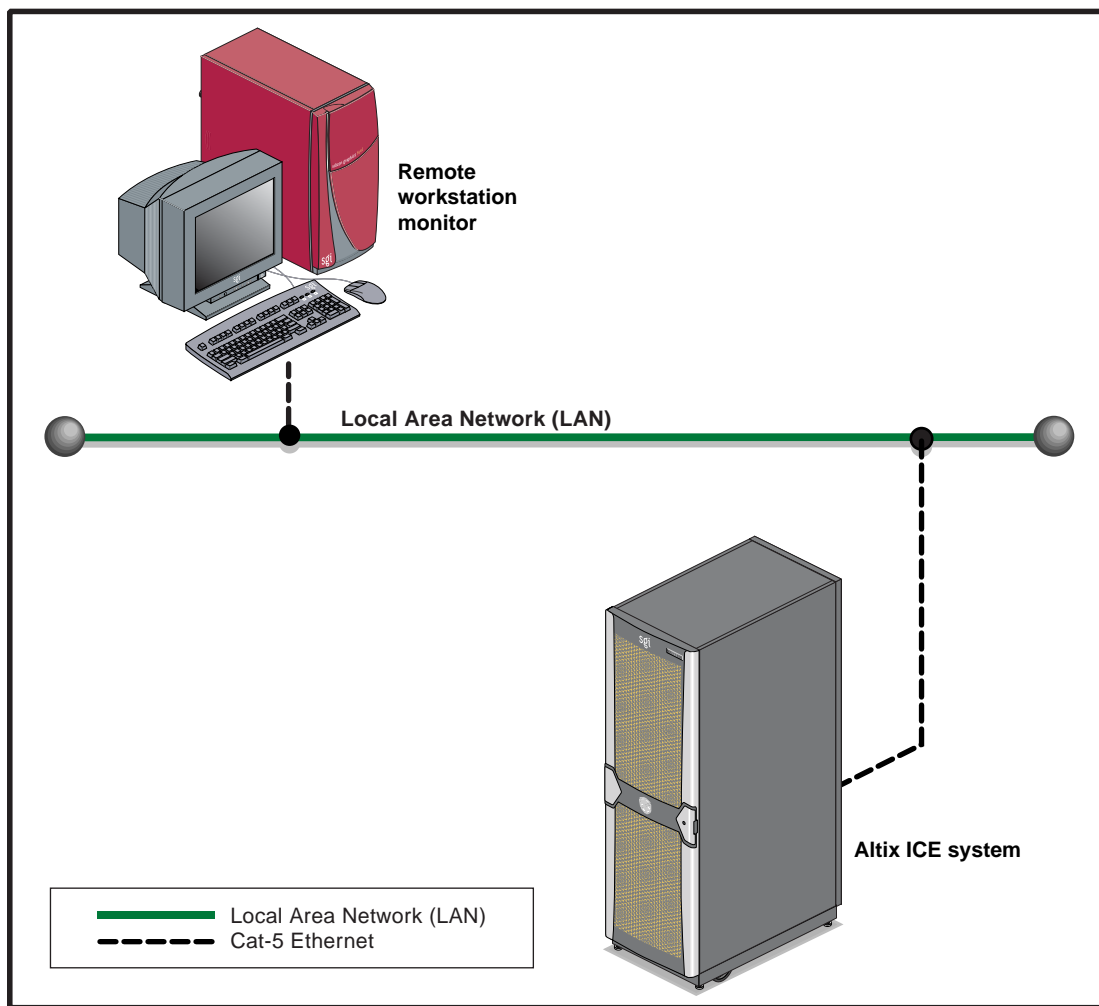


Figure 2-1 SGI Altix ICE System Network Access Example

Using the 1U Console Option

The SGI optional 1U console is a rackmountable unit that includes a built-in keyboard/touchpad, and uses a 17-inch (43-cm) LCD flat panel display of up to 1280 x 1024 pixels. The 1U console attaches to the administrative controller server using PS/2 and HD15M connectors or to a KVM switch (not provided by SGI). The 1U console is basically a “dumb” VGA terminal, it cannot be used as a workstation or loaded with any system administration program.

Note: While the 1U console is normally plugged into the administrative controller server in the ICE system, it can also be connected to a rack leader controller server in the system for terminal access purposes.

The 27-pound (12.27-kg) console automatically goes into sleep mode when the cover is closed.

Levels of System and Chassis Control

The chassis management control network configuration of your ICE 8200 series machine will depend on the size of the system and the control options selected. Typically, any system with multiple IRUs will be interconnected by the chassis managers in each IRU.

Note: Mass storage option enclosures are not monitored by the IRU’s chassis manager. Most optional mass storage enclosures have their own internal microcontrollers for monitoring and controlling all elements of the disk array. See the owner’s guide for your mass storage option for more information on this topic.

Chassis Controller Interaction

In all Altix ICE 8200 series systems all the system chassis management controllers communicate with each other in the following ways:

- All enclosures within a system communicate with each other through their chassis manager connections (CMC) (note the chassis managers are enlarged for clarity in Figure 2-2).
- The CMC does the environmental management for an IRU as well as power control, and provides an ethernet network infrastructure for the management of the system.

Chassis Manager Interconnects

The chassis manager in the lower IRU connects to the administration and leader nodes, see the example in Figure 2-2.

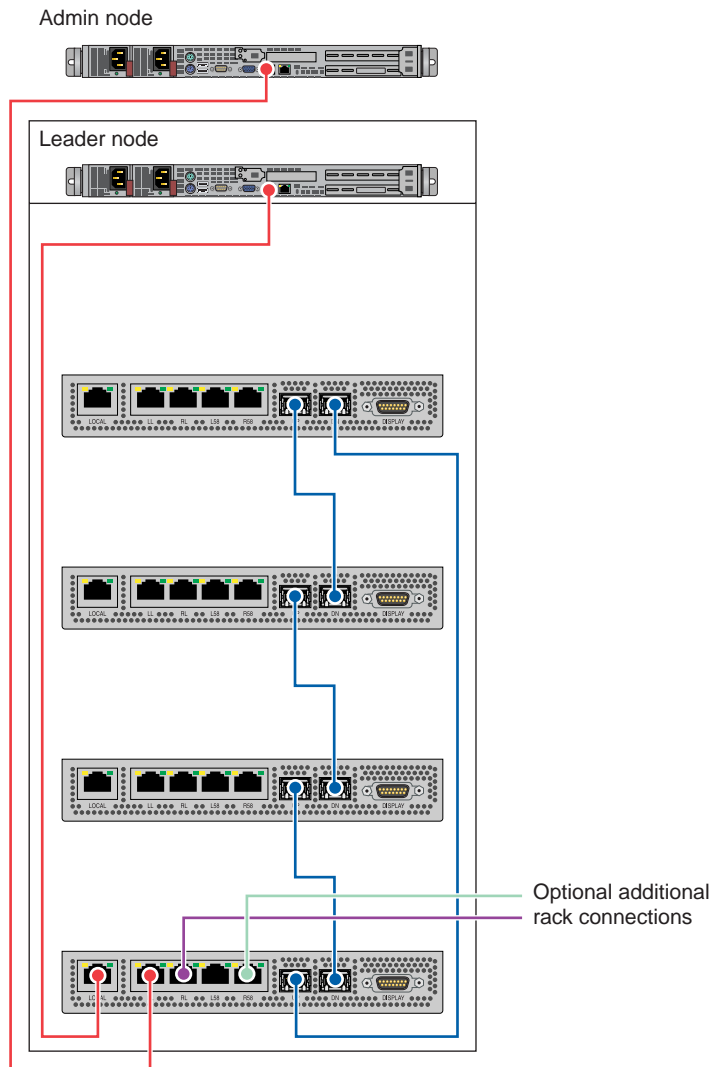


Figure 2-2 Chassis Manager Interconnection Diagram Example

Chassis Management Control (CMC) Functions

The following list summarizes the control and monitoring functions that the CMC performs. Most functions are common across multiple IRUs.

- Controls and monitors IRU fan speeds
- Reads system identification (ID) PROMs
- Monitors voltage levels and reports failures
- Monitors the On/Off power sequence
- Monitors system resets
- Applies a preset voltage to switch blades and fan control boards

Chassis Management Control Front Panel Display

Figure 2-3 shows the chassis management controller display panel on the IRU.

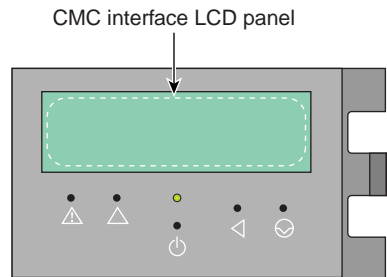


Figure 2-3 Chassis Management Control Interface Front Panel

Note: The CMC front panel display provides rack and IRU identification information and IRU hardware chassis malfunction alerts. See “Chassis Management Panel “Service Required” Notices” in Chapter 6 for additional information.

System Power Status

The `cpower` command is the main interface for all power management commands. You can request power status, power-on and power-off the system with commands entered via the administrative controller server or rack leader controller in the system rack. The `cpower` commands are communicating with BMCs using the IPMI protocol.

The `cpower` commands may require several seconds to several minutes to complete, depending on how many IRUs are being queried for status, powered-up, or shut down.

```
# cpower --system
```

This command gives the status of all compute nodes in the system.

To power on or power off a specific IRU, enter the following commands:

```
# cpower --iru --up r1i0
```

The system should respond by powering up the IRU 0 nodes in rack 1. Note that **--on** is the same as **--up**. This command does not power-up the system administration (server) controller, rack leader controller (RLC) server or other service nodes.

```
# cpower --iru --down r1i0
```

This command powers down all the nodes in IRU 0 in rack 1. Note that **--down** is the same as **--off**. This command does not power-down the system administration node (server), rack leader controller server or other service nodes.

See “Console Management Power (cpower) Commands” on page 8 for additional information on power-on, power-off and power status commands. The *SGI Tempo System Administrator’s Guide*, (P/N 007-4993-00x) has more extensive information on these topics.

System Overview

This chapter provides an overview of the physical and architectural aspects of your SGI Altix Integrated Compute Environment (ICE) 8200 series system. The major components of the Altix ICE systems are described and illustrated.

Because the system is modular, it combines the advantages of lower entry-level cost with global scalability in processors, memory, InfiniBand connectivity and I/O. You can install and operate the Altix ICE 8200 series system in your lab or server room. Each 42U SGI rack holds from one to four 10U-high individual rack units (IRUs) that support up to sixteen compute/memory cluster sub modules known as “blades.” These blades are single printed circuit boards (PCBs) with ASICS, processors, memory components and I/O chip sets mounted on a mechanical carrier. The blades slide directly in and out of the IRU enclosures. Every processor node blade contains at least two dual-inline memory modules (DIMM) memory units.

Each blade supports two processor sockets that can have two or 4 processor cores. A maximum system size of 64 compute/memory blades (512 cores) per rack is supported at the time this document was published. Optional chilled water cooling may be required for large processor count rack systems. Customers wishing to emphasize memory capacity over processor count can choose blades configured with only one processor installed per blade. Contact your SGI sales or service representative for the most current information on these topics.

The SGI Altix ICE 8200 series systems can run parallel programs using a message passing tool like the Message Passing Interface (MPI). The ICE blade system uses a distributed memory scheme as opposed to a shared memory system like that used in the SGI Altix 450 or Altix 4700 high-performance compute servers. Instead of passing pointers into a shared virtual address space, parallel processes in an application pass messages and each process has its own dedicated processor and address space. This chapter consists of the following sections:

- “System Models” on page 20
- “System Architecture” on page 22
- “System Features and Major Components” on page 26
- “System Components” on page 33

System Models

The basic enclosure within the Altix ICE system is the 10U high (17.5 inch or 44.45 cm) “individual rack unit” (IRU). The IRU enclosure supports a maximum of 16 compute/memory blades, up to eight power supplies, one chassis manager interface and two or four InfiniBand architecture I/O fabric switch interface blades. Each IRU comes with two or four InfiniBand fabric switch blades.

The 42U rack for this server houses all IRU enclosures, option modules, and other components; up to 128 processor sockets (512 processor cores) in a single rack. Note that optional water chilled rack cooling may be required for systems with high processor counts.

Figure 3-1 shows an example configuration of a single-rack Altix ICE 8200 server.

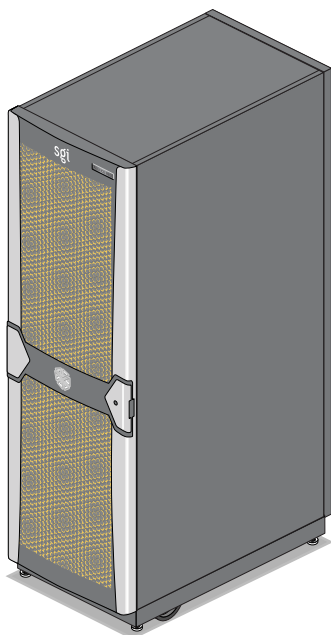


Figure 3-1 SGI Altix ICE 8200 Series System (Single Rack)

The system requires a minimum of one 42U tall rack with three single-phase power distribution units (PDUs) for the first IRU installed in the rack. Each single-phase PDU has 5 outlets (eight are required to support the eight power supplies that can be installed in each IRU). Subsequent IRU's can be supported by two single-phase PDUs each. Figure 3-2 on page 21 shows an IRU and Rack.

The three-phase PDU has 18 outlets (12 connections are required to support one IRU, an administrative node, RLC, and a service node installed in the rack). Note that the lighted door function requires a power outlet from the PDU also.

You can also add additional RAID and non-RAID disk storage to your rack system.

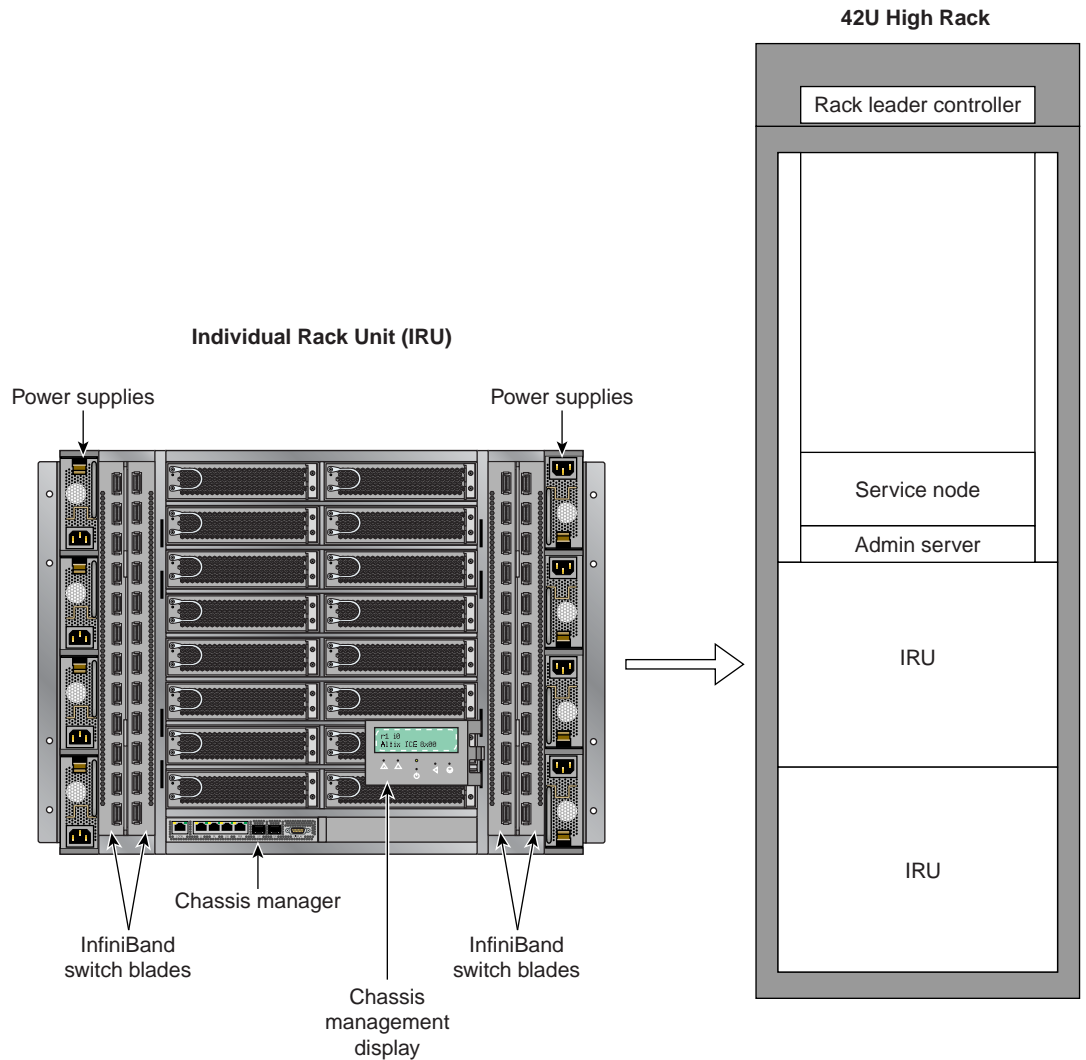


Figure 3-2 IRU and Rack Components Example

System Architecture

The Altix ICE 8200 series of computer systems are based on an InfiniBand I/O fabric. This concept is supported and enhanced by using the technologies described in the following subsections.

Memory Controller HUB

The Memory Controller HUB (MCH) is a single flip chip ball grid array (FCBGA) which supports the following core platform functions:

- System bus interface for the processors
- Memory control sub-system
- PCI Express ports
- Fully buffered DIMM (FBD) thermal management
- Memory (DIMM) sub-system
- ESB-2 I/O controller

These functions are elaborated in the following subsections. Note that this architecture does not support memory mirroring on the system compute blades.

System Bus Interface

The system bus is configured for symmetric multi-processing across two independent point-to-point front side bus interfaces that connect the dual-core or quad-Core Intel Xeon processors. Each front side bus on the MCH uses a 64-bit wide data bus. The data bus is capable of addressing up to 128 GB of memory. The MCH is the priority agent for both front side bus interfaces, and is optimized for one processor on each bus.

Each cluster node board supports two dual-core or quad-core Intel Xeon processors. Previous generations of Intel Xeon processors are not supported on the node board.

Memory Control Sub-system

The MCH provides four channels of Fully Buffered DIMM (FB-DIMM) memory. Each channel can support up to 2 Dual Ranked Fully Buffered (DDR2) DIMMs. FB-DIMM memory channels are organized into two branches with a capability to support RAID 1 (mirroring). The MCH can

support up to 8 DIMMs with a maximum memory size dependent on the capacity of the individual DIMMs. The total physical memory available is cut in half when used in a mirrored (RAID 1) configuration.

Using all four channels a maximum read bandwidth of 21 GB/s for four FB-DIMM channels is possible. This option also provides up to 12.8 GB/s of write memory bandwidth for four FB-DIMM channels.

Memory DIMM Subsystem

A minimum of one dual-inline-memory module (DIMM) set (2 DIMMs) is required for each blade. Blades are supported with 2, 4, 6, or 8 installed DIMMs.

Note: Regardless of the number of DIMMs installed, a minimum of 4GB of DIMM memory is recommended for each compute blade. Systems using Scali Manage software should have a minimum of 8GB of DIMM memory installed on each blade. Failure to meet these requirements may have impacts on overall application performance.

A maximum of four DIMM sets (8 total DIMMs) can be installed in a compute blade. Each set of DIMMs (pair) on a blade must be the same capacity and functional speed. When possible, it is generally recommended that all blades within an IRU use the same number and capacity (size) DIMMs.

Each blade in the IRU may have a different total DIMM capacity. For example, one blade may have eight DIMMs, and another may have only two. Note that while this difference in capacity is acceptable functionally, it may have impacts on compute “load balancing” within the system.

ESB-2 I/O Controller

The ESB-2 is a multi-function device that provides the following four distinct functions:

- IO controller
- PCI-X bridge
- Gb Ethernet controller
- Baseboard Management Controller (BMC)

Each function within the ESB-2 has its own set of configuration registers. Once configured, each appears to the system as a distinct hardware controller. The primary role of the ESB-2 is to provide

the Gigabit Ethernet interface between the Chassis Management Controller (CMC) and the Baseboard Management Controller (BMC). Each blade's node board uses the following features:

- Dual GbE MAC
- Baseboard Management Controller (BMC)
- Power management

Figure 3-3 on page 25 shows a functional block diagram of the Altix ICE 8200 series system IRU compute/memory blades, InfiniBand interface, and component interconnects.

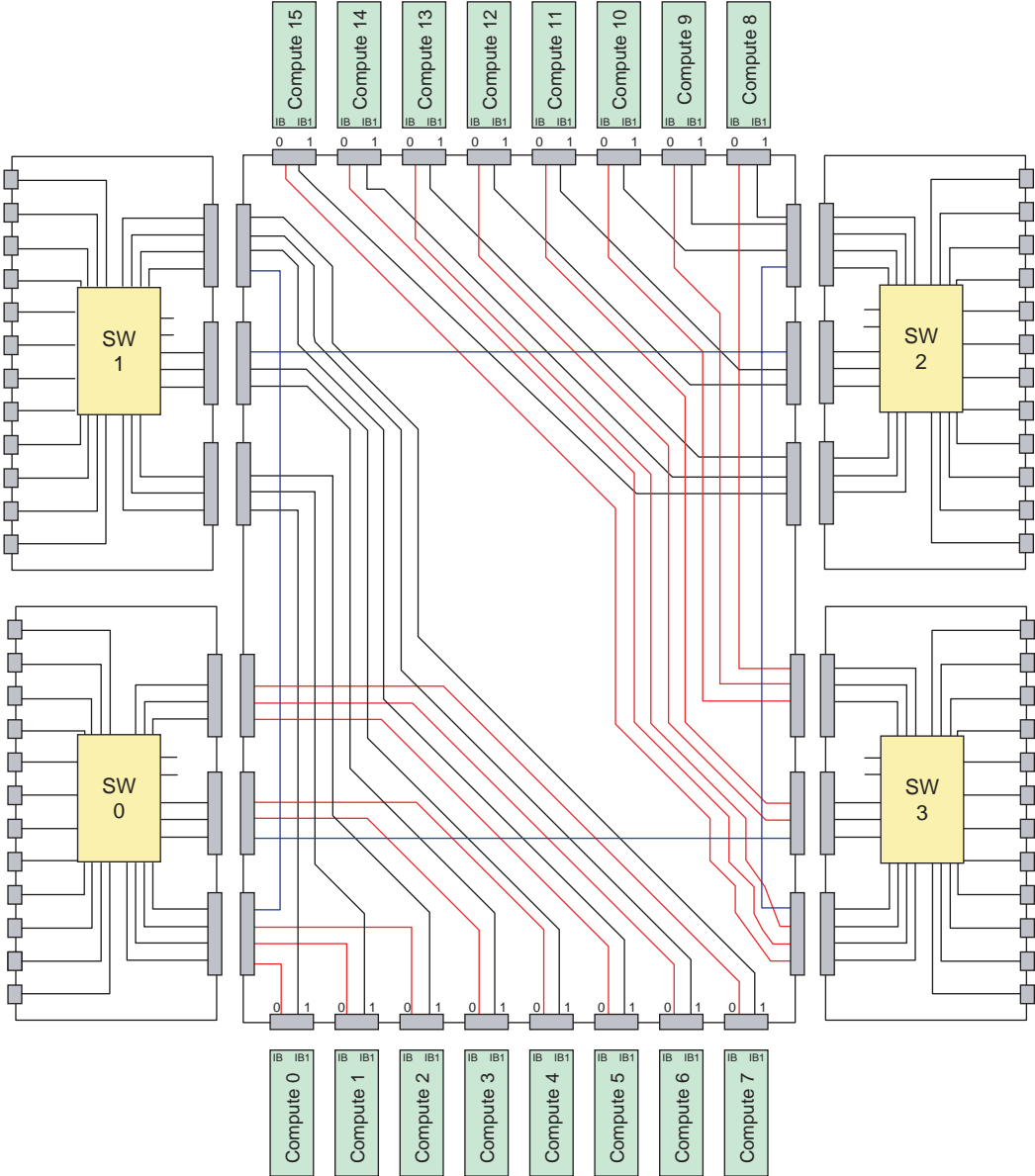


Figure 3-3 Functional Block Diagram of the Individual Rack Unit (IRU)

System Features and Major Components

The main features of the Altix ICE 8200 series server systems are introduced in the following sections:

- “Modularity and Scalability” on page 26
- “Reliability, Availability, and Serviceability (RAS)” on page 32
- “IRU (Unit) Numbering” on page 34

Modularity and Scalability

The Altix ICE 8200 series systems are modular systems. The components are primarily housed in building blocks referred to as individual rack units (IRUs). However, other “free-standing” Altix compute servers are used to administer, access and enhance the ICE 8200 series systems. Additional optional mass storage may be added to the system along with additional IRUs. You can add different types of stand-alone module options to a system rack to achieve the desired system configuration. You can configure and scale IRUs around processing capability, memory size or InfiniBand fabric I/O capability. The air-cooled IRU enclosure has redundant, hot-swap fans and redundant, hot-swap power supplies. The water-chilled rack option expands a single rack’s compute density with added heat dissipation capability for the IRU components.

A number of free-standing (non-blade) compute and I/O servers (nodes) are used with Altix ICE 8200 series systems in addition to the standard two-socket blade-based compute nodes. These free-standing units are:

- System administration controller
- System rack leader controller (RLC) server
- Service nodes with the following functions:
 - Fabric management service node (often incorporated as part of the RLC)
 - Login node
 - Batch node
 - I/O gateway node

As a general rule, each ICE system will have at least one system administration controller, one rack leader controller (RLC) server and one service node. The administration controller and RLC are stand-alone 1U servers. The service nodes are stand-alone non-blade 2U-high servers.

The following subsections further define the free-standing unit functions described in the previous list.

System Administration Server

As a general rule, there is one stand-alone administration controller server and I/O unit per system rack. The system administration controller is a non-blade Altix 1U server system. The administration controller server is used to install ICE system software, administer that software and monitor information from all the nodes in the system.

A significant operating factor for the system administration controller node is the file system structure. If the administration node is NFS-mounting a network storage system outside the ICE system, input data and output results will need to pass through the administration server for each job. Multiple system administration servers distribute this load. The exact number of system administration nodes an ICE system requires for maximum performance is size and application dependent.

Another factor is the number of interactive logins. Since the system administration controller node is the only server in the ICE 8200 system that is connected to the external network, this is where interactive logins occur. Some ICE systems are configured with dedicated “login” service nodes for this purpose. In this case, you might configure multiple “service nodes” but have all but one devoted to interactive logins as “login nodes”, see the “I/O Gateway Node” on page 29.

Rack Leader Controller

A rack leader controller (RLC) server is generally used by administrators to provision and manage the system using SGI’s cluster management (CM) software. There is generally only one leader controller per rack and it is a non-blade “stand-alone” 1U server. The rack leader controller is guided and monitored by the system administration server. It in turn monitors, pulls and stores data from the compute nodes of all the IRUs within the rack. The rack leader then consolidates and forwards data requests received from the IRU’s blade compute nodes to the administration server. The leader controller may also supply boot and root file sharing images to the compute nodes in the IRUs.

For large systems or systems that run many MPI jobs, multiple RLC servers may be used to distribute the load. The first RLC in the ICE system is the “master” controller server. Additional RLCs are slaved to the first RLC (which is usually installed in rack 1). The second RLC runs the same fabric management image as the primary “master” RLC. Check with your SGI sales or support representative for configurations that can “fail over” and continue to support the ICE system’s fabric management without halting the overall system.

In most ICE configurations the fabric management function is handled by the rack leader controller (RLC) node. The RLC is an independent server node that is not part of an IRU. See the “Rack Leader Controller” subsection for more detail. The fabric management software runs on one or more RLC nodes and monitors the function of and any changes in the Infiniband fabrics of the system. It is also possible to host the fabric management function on a dedicated service node, thereby moving the fabric management function from the rack leader node and hosting it on an additional server(s). A separate fabric management server would supply fabric status information to the RLC server periodically or upon request. As with the rack leader controller server, only one per rack is supported.

Service Nodes

The functionality of the service nodes listed in this subsection are all services that can technically run on a single hardware server unit. Or, in the case of the fabric management function, it can be co-resident on the rack leader controller node. As the system scales, you can add more servers (nodes) and dedicate them to these service functions if the size of the system requires it. However you can also have a smaller system where many of the services are combined on just a single service node. Figure 3-4 shows a rear view of a 1U service node (also used for system administration and RLC).

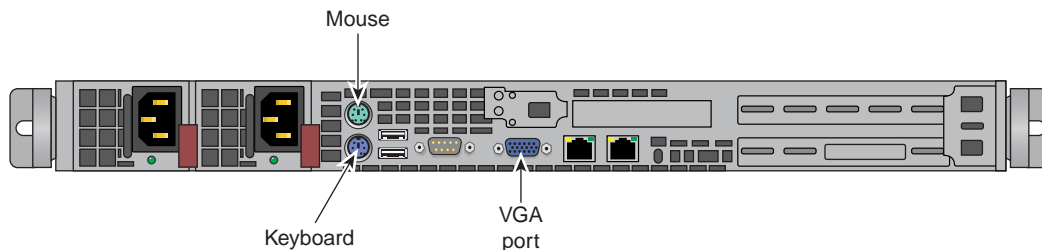


Figure 3-4 Rear View of 1U Service Node

Login Server Function

The login server function within the ICE system can be functionally combined with the I/O gateway server node function in some configurations. One or more per system are supported. Very large systems with high levels of user logins may use one or more dedicated login server nodes. The login node functionality is generally used to create and compile programs, and additional login server nodes can be added as the total number of user logins increase. The login server is usually the point of submittal for all message passing interface (MPI) applications run in the

system. An MPI job is started from the login node and the sub-processes are distributed to the ICE system's compute nodes.

Figure 3-5 shows the rear connectors and interface slots on a 2U service node.

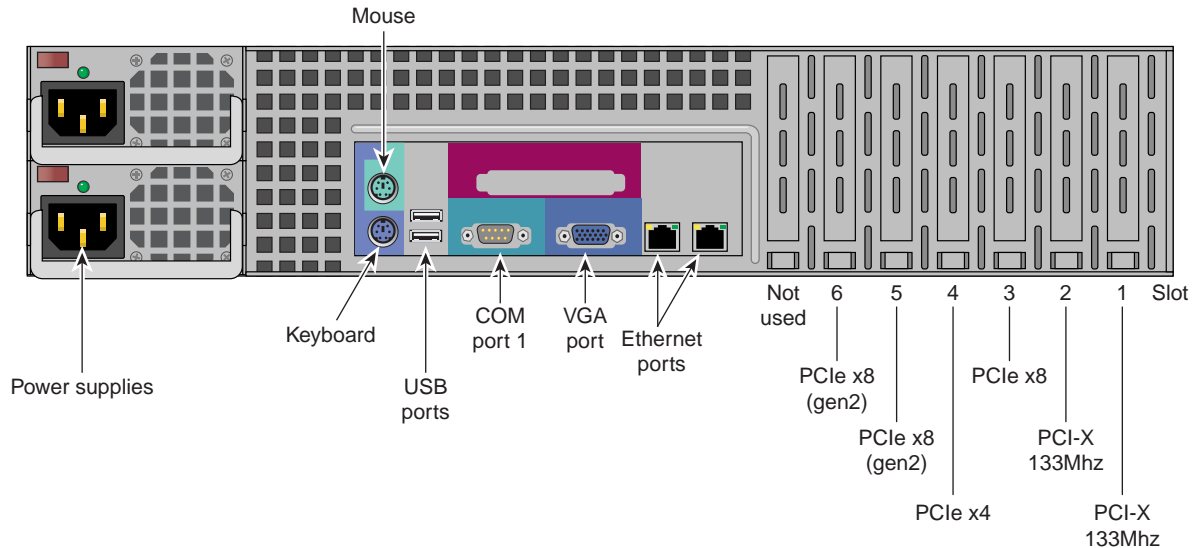


Figure 3-5 2U-high Service Node Rear Panel

Batch Server Node

The batch server function may be combined with login or other service nodes for many configurations. Additional batch nodes can be added as the total number of user logins increase. Users login to a batch server in order to run batch scheduler portable-batch system/load-sharing facility (PBS/LSF) programs. Users login or connect to this node to submit these jobs to the system compute nodes.

I/O Gateway Node

The I/O gateway server function may be combined with login or other service nodes for many configurations. If required, the I/O gateway server function can be an optional 1U, 2U or 5U stand-alone server within the ICE system. One or more I/O gateway nodes are supported per system, based on system size and functional requirement. The node may be separated from login and/or batch nodes to scale to large configurations. Users login or connect to submit jobs to the

compute nodes. The node acts as a gateway from InfiniBand to various types of storage, such as direct-attach, Fibre Channel, or NFS.

Multiple Chassis Manager Connections

In certain multiple-IRU configurations the chassis managers in each IRU may be interconnected and wired to the administrative server and the rack leader controller (RLC) server. Figure 3-6 on page 31 shows an example diagram of the interconnects. Note that the scale of the CMC drawings is adjusted to clarify the interconnect locations.

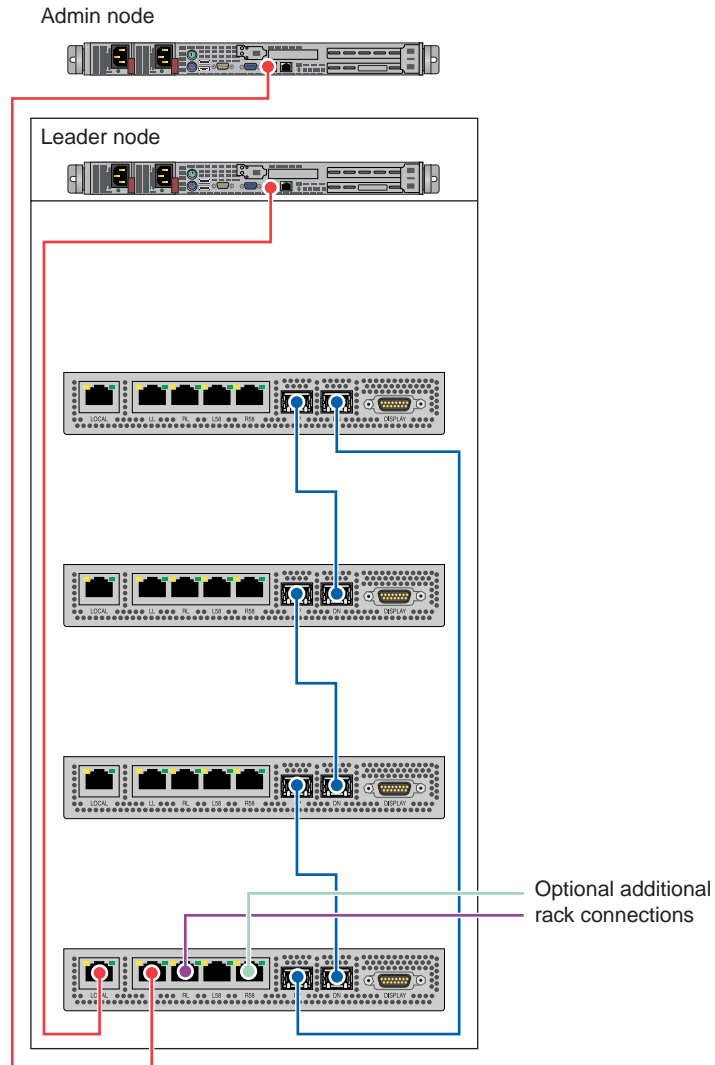


Figure 3-6 Administration and Rack Leader Control Cabling to Chassis Managers

Reliability, Availability, and Serviceability (RAS)

The Altix ICE 8200 server series components have the following features to increase the reliability, availability, and serviceability (RAS) of the systems.

- **Power and cooling:**
 - IRU power supplies are redundant and can be hot-swapped under most circumstances. Note that this might not be possible in a “fully loaded” IRU.
 - A rack-level water chilled cooling option is available for systems with high-density configurations.
 - IRUs have overcurrent protection at the blade and power supply level.
 - Fans are redundant and can be hot-swapped.
 - Fans run at multiple speeds in the IRUs. Speed increases automatically when temperature increases or when a single fan fails.
- **System monitoring:**
 - Chassis managers monitor the internal voltage, power and temperature of the IRUs.
 - Each IRU and each blade/node installed has failure LEDs that indicate the failed part; LEDs are readable at the front of the IRU.
 - Systems support remote console and maintenance activities.
- **Error detection and correction**
 - External memory transfers are protected by cyclical redundancy correction (CRC) error detection. If a memory packet does not checksum, it is retransmitted.
 - Nodes within each IRU exceed SECDED standards by detecting and correcting 4-bit and 8-bit DRAM failures.
 - Detection of all double-component 4-bit DRAM failures occur within a pair of DIMMs.
 - 32-bits of error checking code (ECC) are used on each 256 bits of data.
 - Automatic retry of uncorrected errors occurs to eliminate potential soft errors.
- **Power-on and boot:**
 - Automatic testing occurs after you power on the system nodes. (These power-on self-tests or POSTs are also referred to as power-on diagnostics or PODs).
 - Processors and memory are automatically de-allocated when a self-test failure occurs.
 - Boot times are minimized.

System Components

The Altix ICE 8200 series system features the following major components:

- **42U rack.** This is a custom rack used for both the compute and I/O rack in the Altix ICE 8200 series. Up to 4 IRUs can be installed in each rack. There is 2U of space reserved for the 1U administrative controller server and 1U rack leader controller server.
- **Individual Rack Unit (IRU).** This enclosure contains the compute/memory blades, chassis manager, InfiniBand fabric I/O blades and front-access power supplies for the Altix ICE 8200 series computers. The enclosure is 10U high. Figure 3-7 on page 34 shows the Altix ICE 8200 series IRU system components.
- **Compute/memory blade.** Holds one or two processor sockets (dual or quad-core) and 2, 4, 6 or 8 memory DIMMs.
- **1U Administrative server with PCIe/PCI-X expansion.** This server node supports an optional console, administrative software and three PCI Express option cards.
- **1U (Rack leader controller).** The 1U rack leader server can also be used as an optional login, batch, or fabric functional node.
- **2U Service node.** An optional 2U service node may be used as a login, batch, or fabric functional node when system size or configuration requires a dedicated server for these functions.
- **5U (I/O server controller).** The optional 5U server node is offered with certain configurations needing higher performance I/O access for the ICE system. It offers multiple I/O options and higher performance processors than the 1U or 2U server nodes.

Note: PCIe options may be limited, check with your SGI sales or support representative.

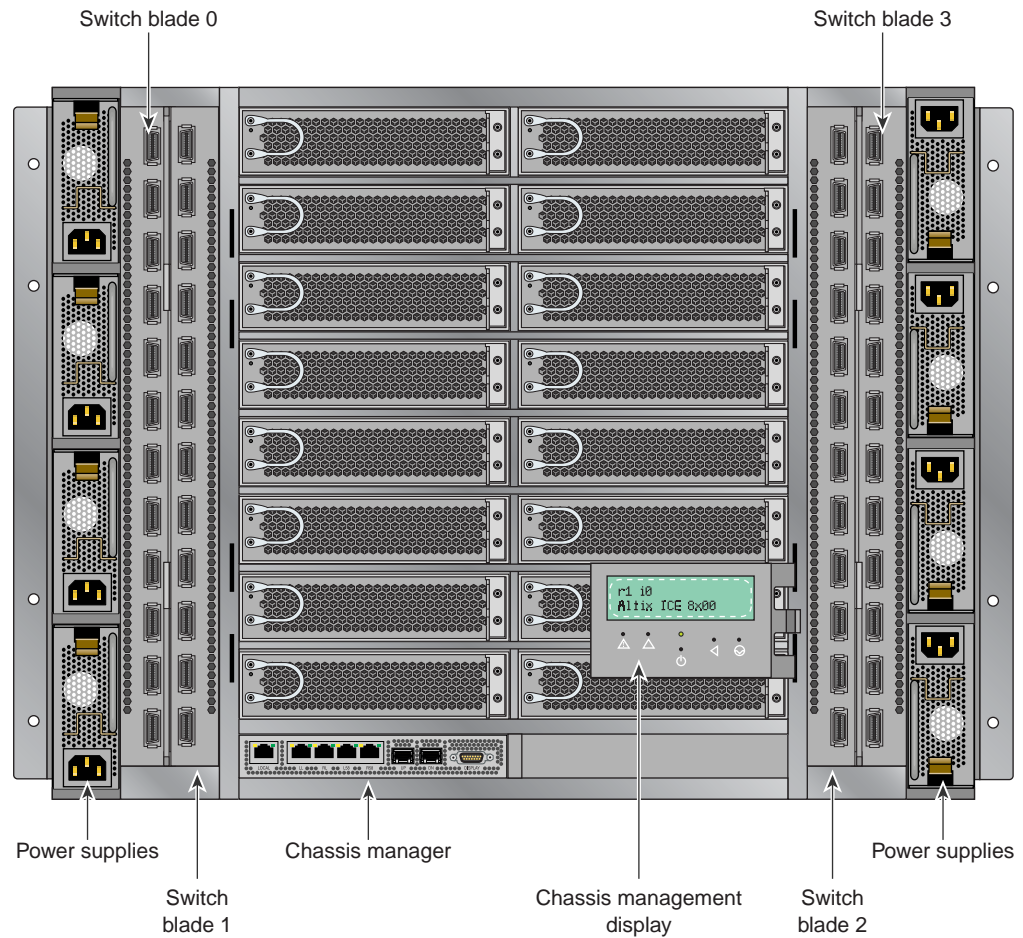


Figure 3-7 Altix ICE 8200 Series IRU System Components Example

IRU (Unit) Numbering

IRUs in the racks are not identified using standard units. A standard unit (SU) or unit (U) is equal to 1.75 inches (4.445 cm). IRUs within a rack are identified by the use of module IDs 0, 1, 2, and 3, with IRU 0 residing at the bottom of each rack. These module IDs are incorporated into the host names of the CMC (i0c, i1c, etc.) and the compute blades (r1i0n0, r1i1n0, etc.) in the rack.

Rack Numbering

Each rack is numbered with a single-digit number sequentially beginning with (0). A rack contains IRU enclosures, administrative and rack leader server nodes, service specific nodes, optional mass storage enclosures and potentially other options. In a single compute rack system, the rack number is always (1). The number of the first IRU will always be zero (0). These numbers are used to identify components starting with the rack, including the individual IRUs and their internal compute-node blades. Note that these single-digit ID numbers are incorporated into the host names of the rack leader controller (RLC) (r1lead) as well as the compute blades (r1i0n0) that reside in that rack.

Optional System Components

Availability of optional components for the SGI ICE 8200 series of systems may vary based on new product introductions or end-of-life components. Some options are listed in this manual, others may be introduced after this document goes to production status. Check with your SGI sales or support representative for the most current information on available product options not discussed in this manual.

Rack Information

This chapter describes the physical characteristics of the tall (42U) ICE 8200 racks in the following sections:

- “Overview” on page 37
- “Altix ICE 8200 Series Rack (42U)” on page 38
- “Technical Specifications” on page 41

Overview

At the time this document was published only the tall (42U) Altix ICE rack (shown in Figure 4-2) was approved for use with the ICE systems.

Altix ICE 8200 Series Rack (42U)

The tall rack (shown in Figure 4-1 on page 39) has the following features and components:

- **Front and rear door.** The front door is opened by grasping the wide end of the triangle-shaped door piece and pulling outward. It uses a key lock for security purposes that should open all the front doors in a multi-rack system (see Figure 4-2 on page 40). Note that the front door and rear door locks are keyed differently. The optional water-chilled rear door does not use a lock.

The rear door has a push-button key lock to prevent unauthorized access to the system. The rear doors have a master key that locks and unlocks all rear doors in a system made up of multiple racks. You cannot use the rear door key to secure the front door lock.

- **Cable entry/exit area.** Cable access openings are located in the front floor and top of the rack. Cables are only attached to the front of the IRUs; therefore, most cable management occurs in the front and top of the rack. Stand-alone administrative, leader and login server modules are the exception to this rule and have cables that attach at the rear of the rack. Rear cable connections will also be required for optional storage modules installed in the same rack with the IRU(s). Optional inter-rack communication cables pass through the top of the rack. I/O and power cables normally pass through the bottom of the rack.
- **Rack structural features.** The rack is mounted on four casters; the two rear casters swivel. There are four leveling pads available at the base of the rack. The base of the rack also has attachment points to support an optional ground strap, and/or seismic tie-downs.
- **Power distribution units within the rack.** A maximum of four single-phase power distribution units (PDUs) are needed per rack, depending on the number of IRUs. Each IRU requires two 5-outlet single-phase PDUs. Administration, leader and service nodes installed in each rack require one or two power plugs each. A three-phase power distribution unit has 18 outlet connections, 16 of them are needed to power two IRUs.

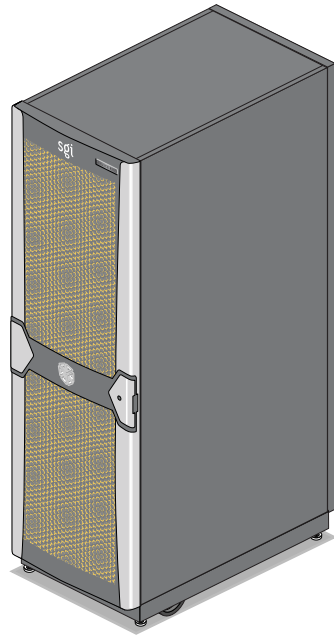


Figure 4-1 Altix ICE 8200 Series Rack Example

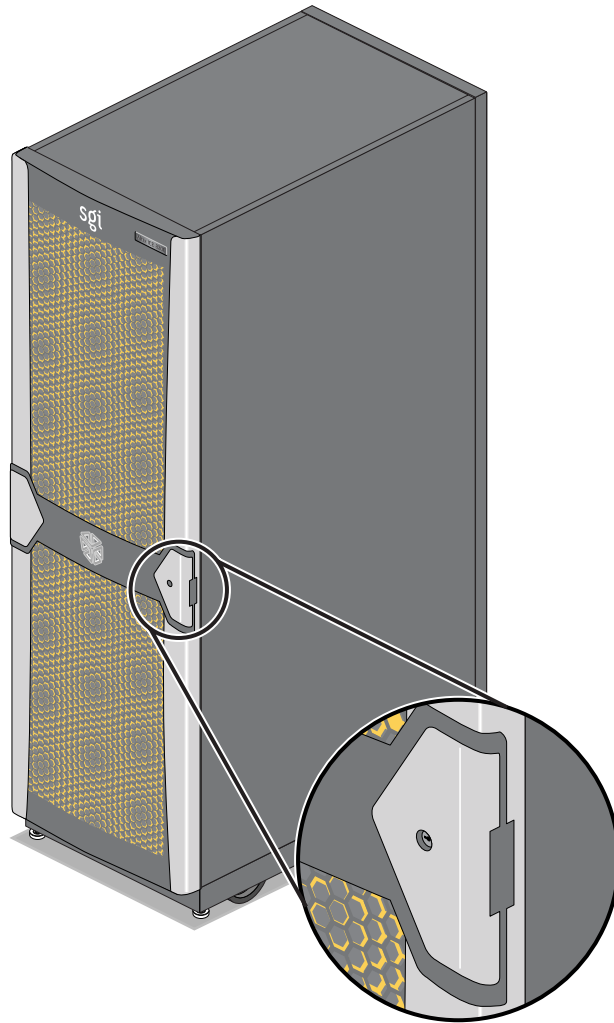


Figure 4-2 Tall (42U) Altix Rack and Front Lock

Technical Specifications

Table 4-1 lists the technical specifications of the Altix ICE 8200 series tall rack.

Table 4-1 Tall Altix Rack Technical Specifications

Characteristic	Specification
Height	79.5 in. (201.9 cm)
Width	31.3 in. (79.5 cm)
Depth	45.8 in. (116.3 cm)
Weight (full)	2,200 lbs. (1,000 kg) approximate
Shipping weight (max)	2,450 lbs. (1,113.6 kg) approximate
Voltage range	North America/International
Nominal	200-240 VAC /230 VAC
Tolerance range	180-264 VAC /180-254 VAC
Frequency	North America/International
Nominal	50/60 Hz /50 Hz
Tolerance range	47-63 Hz /47-63 Hz
Phase required	Single-phase or 3-phase
Power requirements (max)	31.63 kVA (31 kW)
Hold time	20 ms
Power cable	12 ft. (3.66 m) pluggable cords

ICE Administration/Controller Modules

This chapter describes the function and physical components of the administrative/controller server modules in the following sections:

- “Overview” on page 43
- “Administrative/Controller Servers” on page 44

For purposes of this chapter “administration/controller module” is used as a catch-all phrase to describe the stand-alone servers that act as management infrastructure controllers. The specialized functions these servers perform within the ICE system can include:

- Administration
- Rack leader controller (RLC)
- Fabric management
- Login
- Batch
- I/O gateway (storage)

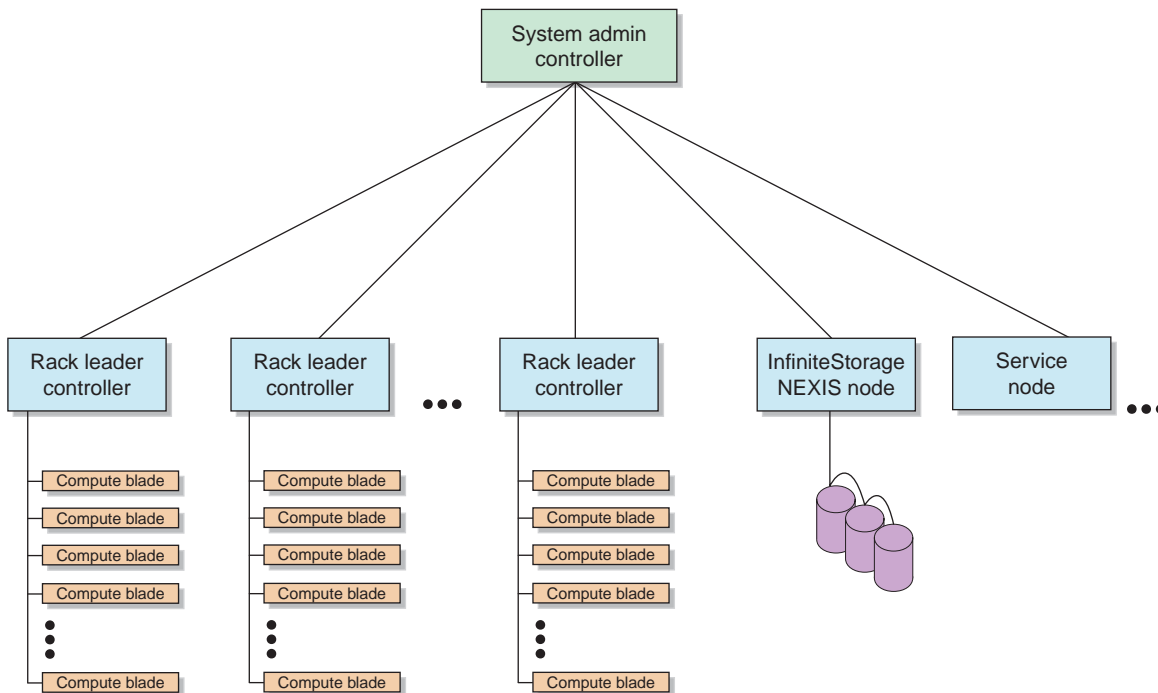
Overview

User interfaces consist of the Compute Cluster Administrator, the Compute Cluster Job Manager, and a Command Line Interface (CLI). Management services include job scheduling, job and resource management, Remote Installation Services (RIS), and a remote command environment. The 1U administrative controller server is connected to the system via a Gigabit Ethernet link, (it is not directly linked to the system’s InfiniBand communication fabric).

Note: The system management software runs on the administrative node, RLC and service nodes as a distributed software function. The system management software performs all of its tasks on the ICE system through an Ethernet network.

The administrative controller server is at the top of the distributed management infrastructure within the ICE system. The overall ICE 8200 series management is hierarchical (see Figure 5-1), with the RLC(s) communicating with the compute nodes via CMC.

System management hierarchy



A maximum of 64 compute blades per rack leader controller

Figure 5-1 ICE System Administration Hierarchy Example Block Diagram

Administrative/Controller Servers

The system administrative controller unit acts as the ICE system interface to the “outside world”, typically a local area network (LAN). The administrative unit control panel features are shown in Figure 5-2.

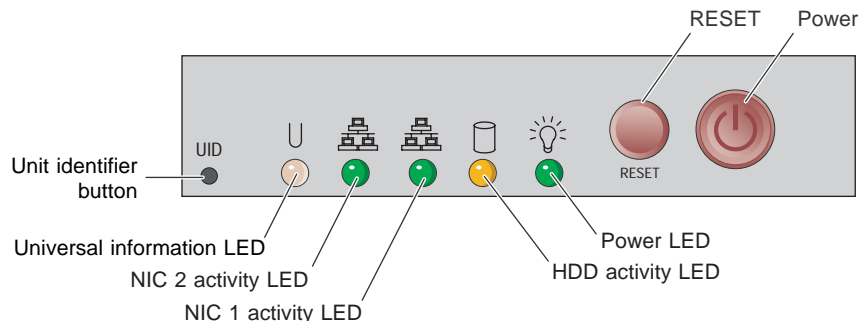


Figure 5-2 Administrative/Controller Server Control Panel Diagram

Table 5-1 System administrative server control panel functions

Functional feature	Functional description
Unit identifier button	Pressing this button lights an LED on both the front and rear of the server for easy system location in large configurations. The LED will remain on until the button is pushed a second time.
Universal information LED	This multi-color LED blinks red quickly, to indicate a fan failure and blinks red slowly for a power failure. A continuous solid red LED indicates a CPU is overheating. This LED will be on solid blue or blinking blue when used for UID (Unit Identifier).
NIC 2 Activity LED	Indicates network activity on LAN 2 when flashing green.
NIC 1 Activity LED	Indicates network activity on LAN 1 when flashing green.
Disk activity LED	Indicates drive activity when flashing.
Power LED	Indicates power is being supplied to the server’s power supply units.
Reset button	Pressing this button reboots the server.
Power button	Pressing the button applies/ removes power from the power supply to the server. Turning off power with this button removes main power but keeps standby power supplied to the system.

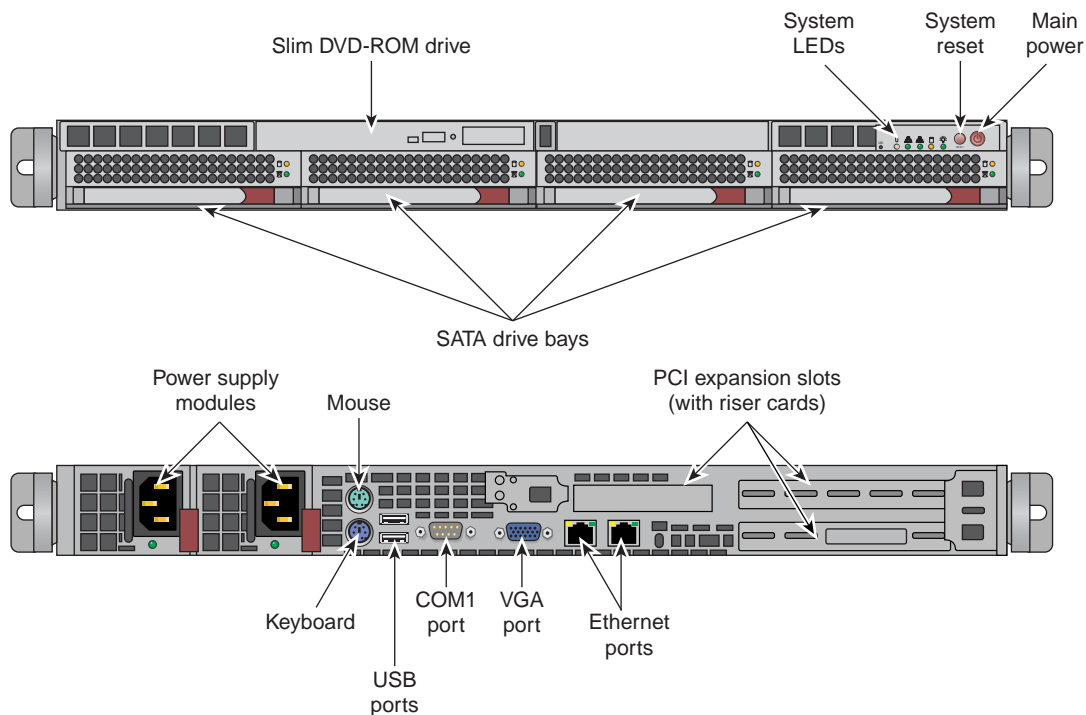


Figure 5-3 1U Administration/Controller Server Front and Rear Panel

Rack Leader Controller Server

An MPI job is started from the rack leader controller server and the sub-processes are distributed to the system blade compute nodes. The main process on the RLC server will wait for the sub-processes to finish. For very large systems or systems that run many MPI jobs, multiple RLC servers may be used to distribute the load (one per rack).

The 1U rack leader server may also run the software for login purposes as the system “login node”. In other optional cases the RLC 1U server may be used to run the “batch node” function.

Batch or login functions may be run on individual separate service nodes, especially when the system is a large scale multi-rack installation or has a large number of users. See the section “Modularity and Scalability” on page 26 for a list of administration and support server types and additional functional descriptions.

Optional 2U Service Nodes

For systems that require a separate login, batch, I/O, fabric management, or other service node; a 2U server option is available. Figure 5-4 and Figure 5-5 show front and rear views of the 2U service node. For more information, see the *SGI Altix XE250 User's Guide*, (P/N 007-5467-00x).

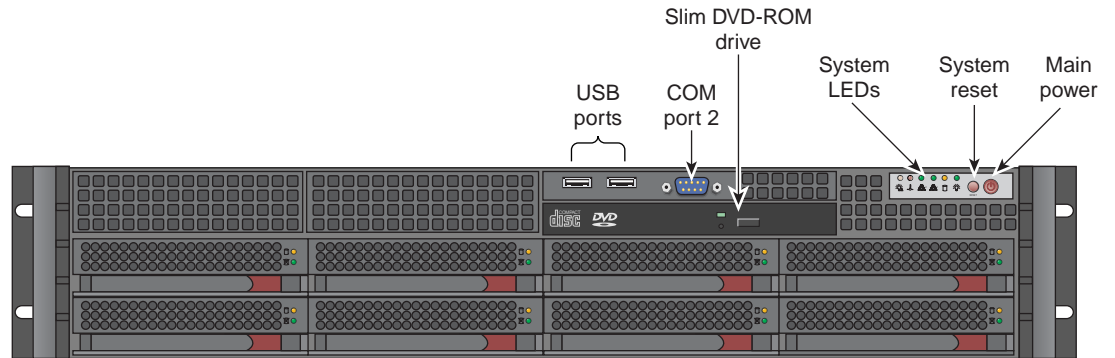


Figure 5-4 Front View of 2U Optional Service Node

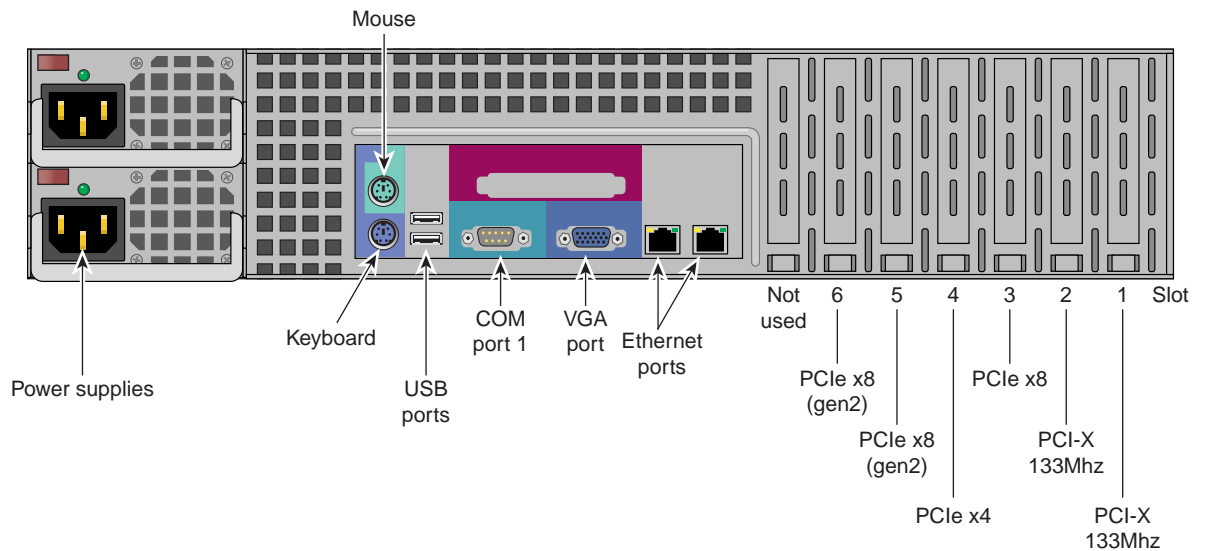


Figure 5-5 Rear View of 2U Optional Service Node

Basic Troubleshooting

This chapter provides the following sections to help you troubleshoot your system:

- “Troubleshooting Chart” on page 50
- “LED Status Indicators” on page 51

Troubleshooting Chart

Table 6-1 lists recommended actions for problems that can occur. To solve problems that are not listed in this table, contact your SGI system support engineer (SSE).

Table 6-1 Troubleshooting Chart

Problem Description	Recommended Action
The system will not power on.	<p>Ensure that the power cords of the IRU are seated properly in the power receptacles.</p> <p>Ensure that the PDU circuit breakers are on and properly connected to the wall source.</p> <p>If the power cord is plugged in and the circuit breaker is on, contact your SSE.</p>
An individual IRU will not power on.	<p>Ensure the power cables of the IRU are plugged in.</p> <p>View the CMC output from your system administration controller console.</p> <p>If the CMC is not running, contact your SSE.</p>
The system will not boot the operating system.	Contact your SSE.
The Service Required LED illuminates on an IRU.	View the CMC display of the failing IRU; contact your administrator or SSE for help as needed.
The PWR LED of a populated PCI slot in a support server is not illuminated.	Reseat the PCI card.
The Fault LED of a populated PCI slot in a support server is illuminated (on).	Reseat the PCI card. If the fault LED remains on, replace the PCI card.
The amber LED of a disk drive is on.	Replace the disk drive.

LED Status Indicators

There are a number of LEDs on the front of the IRUs that can help you detect, identify and potentially correct functional interruptions in the system.

The following subsections describe these LEDs and ways to use them to understand potential problem areas.

IRU Power Supply LEDs

Each power supply installed in an IRU has a single bi-color (green/amber) status LED.

The LED will either light green or amber (yellow), or flash green or yellow to indicate the status of the individual supply. See Table 6-2 for a complete list.

Table 6-2 Power Supply LED States

Power supply status	Green LED	Amber LED
No AC power to the supply	Off	Off
Power supply has failed	Off	On
Power supply problem warning	Off	Blinking
AC available to supply (standby) but IRU is off	Blinking	Off
Power supply on (IRU on)	On	Off

Compute/Memory Blade LEDs

Each compute/memory blade installed in an IRU has a total of eleven LED indicators arranged in a single row behind the perforated sheetmetal of the blade. The LEDs are located in the front lower left section of the compute blade and are visible through the screen of the compute blade, see Figure 6-1. The functions of the LED status lights are as follows:

1. UID - Unit identifier - this blue LED is used during troubleshooting to find a specific compute node. The LED can be lit via software to aid in locating a specific compute node.
2. CPU Power OK - this green LED lights when the correct power levels are present on the processor(s).
3. IB0 link - green LED lights when a link is established on the internal InfiniBand 0 port
4. IB0 active - this amber LED flashes when IB0 is active (transmitting data)
5. IB1 link - green LED lights when a link is established on the internal InfiniBand 1 port
6. IB1 active - this amber LED flashes when IB1 is active (transmitting data)
7. Eth1 link - this green LED is illuminated when a link as been established on the system control Eth1 port
8. Eth1 active - this amber LED flashes when Eth1 is active (transmitting data)
9. Eth2 link - this LED indicates the compute blade's BMC Ethernet interface link status
10. Eth2 active - this LED indicates the compute blade's BMC Ethernet activity status
11. BMC heartbeat - this green LED flashes when the blade's BMC boots and is running normally. No illumination, or an LED that stays on solidly indicates the BMC failed.

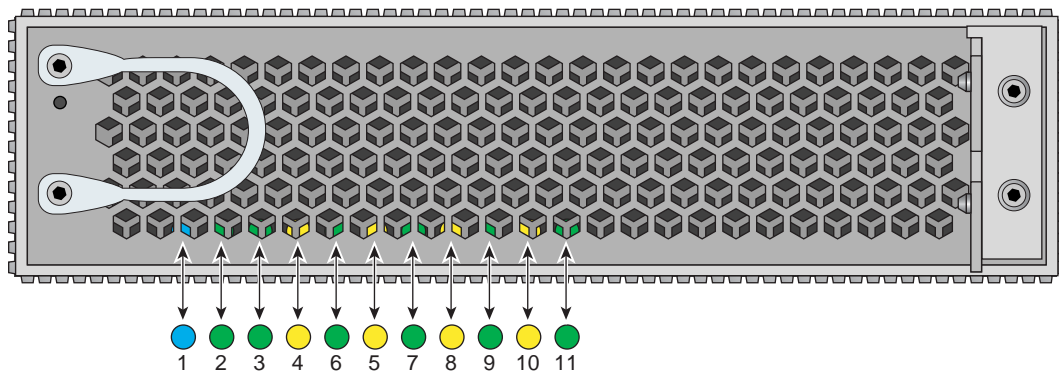


Figure 6-1 Compute Blade Status LED Locations

Note: Compute blades that shipped in 2007 and early 2008 have only ten LED status lights. The functions of the first ten LEDs are the same on older and newer blades.

Chassis Management Panel “Service Required” Notices

Environmental “out-of-bounds” and chassis hardware failure conditions are reported on the chassis management panel. For individual rack units that experience a chassis-related component failure, a message appears on the CMC interface panel. This message is accompanied by the lighting of the amber “Service Required” LED on the panel’s front face (second from left). In the example shown in Figure 6-2, IRU 0 in rack 1 has experienced a fan failure. This type of information can be useful in helping your administrator or service provider identify and quickly correct hardware problems.

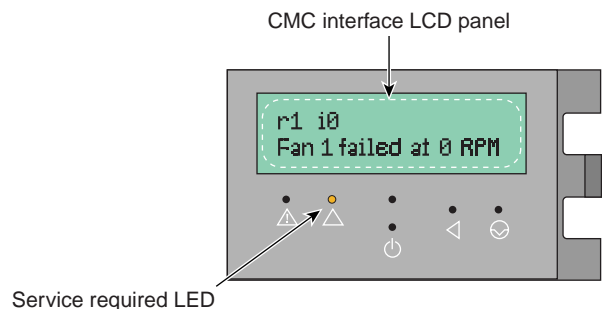


Figure 6-2 Fan Service Required Example Message on Chassis Management Panel

Technical Specifications and Pinouts

This appendix contains technical specification information about your system, as follows:

- “System-level Specifications” on page 55
- “Physical and Power Specifications” on page 56
- “Environmental Specifications” on page 57
- “I/O Port Specifications” on page 58

System-level Specifications

Table A-1 summarizes the Altix ICE 8200 series configuration ranges. Note that while each compute/memory board can house either one or two processors; each processor socket houses two or four processor “cores”.

Table A-1 Altix ICE 8200 Series Configuration Ranges

Category	Minimum	Maximum
Processors	8 processor cores (2 blades) ^a	512 processor cores per rack
Individual Rack Units (IRUs)	1 per rack	4 per rack
Compute/memory blade DIMM capacity	2 DIMMs per blade (4 MB minimum per blade) ^b	8 DIMMs per blade
System main memory DIMMs	8 per IRU	128 per IRU (512 per rack)
Chassis management blades	One per IRU	4 per rack
InfiniBand switch blades	2 per IRU	4 per IRU (16 per rack)

a. Compute blades support one or two stuffed sockets each. This is a total of four or eight cores per blade.

b. Eight MB minimum memory per blade is required for systems using Scali Manage software.

Physical and Power Specifications

Table A-2 shows the physical specifications of the Altix ICE system.

Table A-2 Altix ICE 8200 Series Physical Specifications

System Features (single rack)	Specification
Height	79.5 in. (201.9 cm)
Width	31.3 in. (79.5 cm)
Depth	45.8 in. (116.3 cm)
Weight (full) maximum	~2,490 lbs. (1,132 kg) approximate
Shipping weight maximum	~2,535 lbs. (1,152 kg) approximate
Voltage range	North America/International
Nominal	200-240 VAC /230 VAC
Tolerance range	180-264 VAC /180-254 VAC
Frequency	North America/International
Nominal	50/60 Hz /50 Hz
Tolerance range	47-63 Hz /47-63 Hz
Phase required	Single-phase or 3-phase
Power requirements (max)	31.63 kVA (31 kW)
Hold time	20 ms
Power cable	12 ft. (3.66 m) pluggable cords
Shipping dimensions	Height: 81.375 in. (206.7 cm) Width: 48 in. (121.9 cm) Depth: 54 in. (137.1 cm)
Access requirements	
Front	48 in. (121.9 cm)
Rear	48 in. (121.9 cm)
Side	None

Environmental Specifications

Table A-3 lists the environmental specifications of the system.

Table A-3 Environmental Specifications

Feature	Specification
Temperature tolerance (operating)	+5 °C (41 °F) to +35 °C (95 °F) (up to 1500 m / 5000 ft.) +5 °C (41 °F) to +30 °C (86 °F) (1500 m to 3000 m /5000 ft. to 10,000 ft.)
Temperature tolerance (non-operating)	-40 °C (-40 °F) to +60 °C (140 °F)
Relative humidity	10% to 80% operating (no condensation) 8% to 95% non-operating (no condensation)
Heat dissipation Altix ICE (rack)	Approximately 105.8 kBTU/hr maximum (based on 31 kW)
Cooling requirement	Ambient air or optional water cooling
Air flow: intake (front), exhaust (rear)	Approximately 6,000 CFM (normal operation) 4,000 CFM typical
Maximum altitude	10,000 ft. (3,049 m) operating 40,000 ft. (12,195 m) non-operating
Acoustical noise level	Less than 65 dBa maximum

I/O Port Specifications

This section contains specifications and port pinout information for the base I/O ports of your system, as follows:

- “Ethernet Port” on page 59
- “Serial Ports” on page 60

Ethernet Port

The system auto-selects the Ethernet port speed and type (duplex vs. half-duplex) when the server is booted, based on what it is connected to. Figure A-1 shows the Ethernet port.

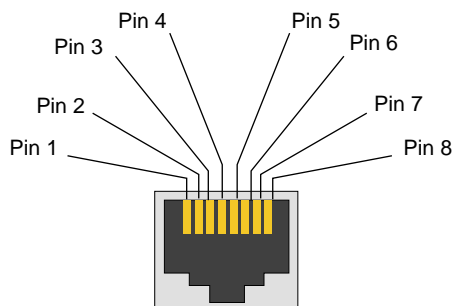


Figure A-1 Ethernet Port

Table A-4 shows the cable pinout assignments for the Ethernet port operating in 10/100-Base-T mode and also operating in 1000Base-T mode.

Table A-4 Ethernet Pinouts

Ethernet 10/100Base-T Pinouts		Gigabit Ethernet Pinouts	
Pins	Assignment	Pins	Assignment
1	Transmit +	1	Transmit/Receive 0 +
2	Transmit -	2	Transmit/Receive 0 -
3	Receive +	3	Transmit/Receive 1 +
4	NU	4	Transmit/Receive 2 +
5	NU	5	Transmit/Receive 2 -
6	Receive -	6	Transmit/Receive 1 -
7	NU	7	Transmit/Receive 3 +
8	NU	8	Transmit/Receive 3 -

NU = Not used

Serial Ports

The IRU's chassis management control boards have 9-pin serial interface connectors. These ports are capable of transferring data at rates as high as 230 kbps. Other features of the ports include the following:

- Programmable data, parity, and stop bits
- Programmable baud rate and modem control

Figure A-2 shows an example serial port.

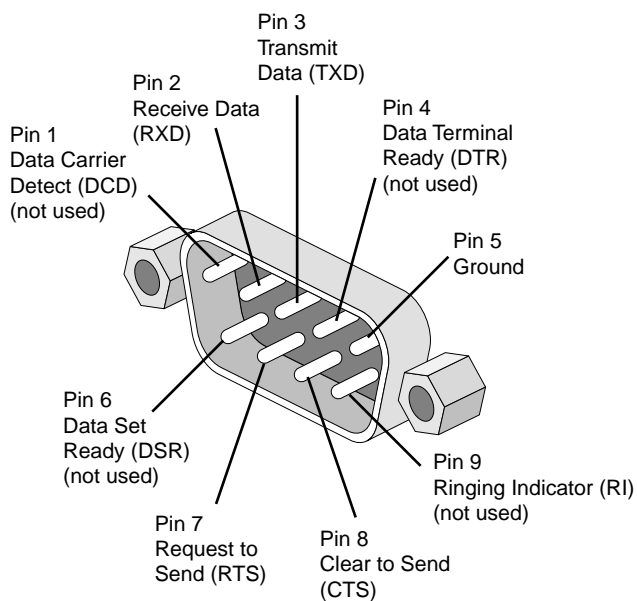


Figure A-2 Serial Port Connector

Table A-5 shows pinout assignments for the 9-pin male DB-9 connector.

Table A-5 Serial Port Pinout

Pin	Assignment	Description
1	DCD	Data carrier detect
2	RXD	Receive data
3	TXD	Transmit data
4	DTR	Data terminal ready
5	GND	Signal ground
6	DSR	Data set ready
7	RTS	Request to send
8	CTS	Clear to send
9	RI	Ring indicator

Safety Information and Regulatory Specifications

This appendix provides safety information and regulatory specifications for your system in the following sections:

- “Safety Information” on page 63
- “Regulatory Specifications” on page 65

Safety Information

Read and follow these instructions carefully:

1. Follow all warnings and instructions marked on the product and noted in the documentation included with this product.
2. Unplug this product before cleaning. Do not use liquid cleaners or aerosol cleaners. Use a damp cloth for cleaning.
3. Do not use this product near water.
4. Do not place this product or components of this product on an unstable cart, stand, or table. The product may fall, causing serious damage to the product.
5. Slots and openings in the system are provided for ventilation. To ensure reliable operation of the product and to protect it from overheating, these openings must not be blocked or covered. This product should never be placed near or over a radiator or heat register, or in a built-in installation, unless proper ventilation is provided.
6. This product should be operated from the type of power indicated on the marking label. If you are not sure of the type of power available, consult your dealer or local power company.
7. Do not allow anything to rest on the power cord. Do not locate this product where people will walk on the cord.
8. Never push objects of any kind into this product through cabinet slots as they may touch dangerous voltage points or short out parts that could result in a fire or electric shock. Never spill liquid of any kind on the product.

9. Do not attempt to service this product yourself except as noted in this guide. Opening or removing covers of node and switch internal components may expose you to dangerous voltage points or other risks. Refer all servicing to qualified service personnel.
10. Unplug this product from the wall outlet and refer servicing to qualified service personnel under the following conditions:
 - When the power cord or plug is damaged or frayed.
 - If liquid has been spilled into the product.
 - If the product has been exposed to rain or water.
 - If the product does not operate normally when the operating instructions are followed. Adjust only those controls that are covered by the operating instructions since improper adjustment of other controls may result in damage and will often require extensive work by a qualified technician to restore the product to normal condition.
 - If the product has been dropped or the cabinet has been damaged.
 - If the product exhibits a distinct change in performance, indicating a need for service.
11. If a lithium battery is a soldered part, only qualified SGI service personnel should replace this lithium battery. For other types, replace it only with the same type or an equivalent type recommended by the battery manufacturer, or the battery could explode. Discard used batteries according to the manufacturer's instructions.
12. Use only the proper type of power supply cord set (provided with the system) for this unit.
13. Do not attempt to move the system alone. Moving a rack requires at least two people.
14. Keep all system cables neatly organized in the cable management system. Loose cables are a tripping hazard that cause injury or damage the system.

Regulatory Specifications

The following topics are covered in this section:

- “CMN Number” on page 65
- “CE Notice and Manufacturer’s Declaration of Conformity” on page 65
- “Electromagnetic Emissions” on page 66
- “Shielded Cables” on page 68
- “Electrostatic Discharge” on page 68
- “Laser Compliance Statements” on page 69
- “Lithium Battery Statements” on page 70

This SGI system conforms to several national and international specifications and European Directives listed on the “Manufacturer’s Declaration of Conformity.” The CE mark insignia displayed on each device is an indication of conformity to the European requirements.



Caution: This product has several governmental and third-party approvals, licenses, and permits. Do not modify this product in any way that is not expressly approved by SGI. If you do, you may lose these approvals and your governmental agency authority to operate this device.

CMN Number

The model number, or CMN number, for the system is on the system label, which is mounted inside the rear door on the base of the rack.

CE Notice and Manufacturer’s Declaration of Conformity

The “CE” symbol indicates compliance of the device to directives of the European Community. A “Declaration of Conformity” in accordance with the standards has been made and is available from SGI upon request.

Electromagnetic Emissions

This section provides the contents of electromagnetic emissions notices from various countries.

FCC Notice (USA Only)

This equipment complies with Part 15 of the FCC Rules. Operation is subject to the following two conditions:

- This device may not cause harmful interference.
- This device must accept any interference received, including interference that may cause undesired operation.

Note: This equipment has been tested and found to comply with the limits for a Class A digital device, pursuant to Part 15 of the FCC Rules. These limits are designed to provide reasonable protection against harmful interference when the equipment is operated in a commercial environment. This equipment generates, uses, and can radiate radio frequency energy and, if not installed and used in accordance with the instruction manual, may cause harmful interference to radio communications. Operation of this equipment in a residential area is likely to cause harmful interference, in which case you will be required to correct the interference at your own expense.

If this equipment does cause harmful interference to radio or television reception, which can be determined by turning the equipment off and on, you are encouraged to try to correct the interference by using one or more of the following methods:

- Reorient or relocate the receiving antenna.
- Increase the separation between the equipment and receiver.
- Connect the equipment to an outlet on a circuit different from that to which the receiver is connected.

Consult the dealer or an experienced radio/TV technician for help.



Caution: Changes or modifications to the equipment not expressly approved by the party responsible for compliance could void your authority to operate the equipment.

Industry Canada Notice (Canada Only)

This Class A digital apparatus meets all requirements of the Canadian Interference-Causing Equipment Regulations.

Cet appareil numérique n'émet pas de perturbations radioélectriques dépassant les normes applicables aux appareils numériques de Classe A prescrites dans le Règlement sur les interférences radioélectriques établi par le Ministère des Communications du Canada.

VCCI Notice (Japan Only)

この装置は、情報処理装置等電波障害自主規制協議会 (VCCI) の基準に基づくクラス A 情報技術装置です。この装置を家庭環境で使用すると電波妨害を引き起こすことがあります。この場合には使用者が適切な対策を講ずるよう要求されることがあります。

Figure B-1 VCCI Notice (Japan Only)

Chinese Class A Regulatory Notice

警告使用者：

這是甲類的資訊產品，在居住的環境中使用時，可能會造成射頻干擾，在這種情況下，使用者會被要求採取某些適當的對策。

Figure B-2 Chinese Class A Regulatory Notice

Korean Class A Regulatory Notice

이 기기는 업무용으로 전자파적합등록을 한 기기이오니 판매자 또는 사용자는 이 점을 주의하시기 바라며 만약 잘못 판매 또는 구입하였을 때에는 가정용으로 교환하시기 바랍니다.

Figure B-3 Korean Class A Regulatory Notice

Shielded Cables

This SGI system is FCC-compliant under test conditions that include the use of shielded cables between the system and its peripherals. Your system and any peripherals you purchase from SGI have shielded cables. Shielded cables reduce the possibility of interference with radio, television, and other devices. If you use any cables that are not from SGI, ensure that they are shielded. Telephone cables do not need to be shielded.

Optional monitor cables supplied with your system use additional filtering molded into the cable jacket to reduce radio frequency interference. Always use the cable supplied with your system. If your monitor cable becomes damaged, obtain a replacement cable from SGI.

Electrostatic Discharge

SGI designs and tests its products to be immune to the effects of electrostatic discharge (ESD). ESD is a source of electromagnetic interference and can cause problems ranging from data errors and lockups to permanent component damage.

It is important that you keep all the covers and doors, including the plastics, in place while you are operating the system. The shielded cables that came with the unit and its peripherals should be installed correctly, with all thumbscrews fastened securely.

An ESD wrist strap may be included with some products, such as memory or PCI upgrades. The wrist strap is used during the installation of these upgrades to prevent the flow of static electricity, and it should protect your system from ESD damage.

Laser Compliance Statements

The DVD-ROM drive in this computer is a Class 1 laser product. The DVD-ROM drive's classification label is located on the drive.



Warning: Avoid exposure to the invisible laser radiation beam when the device is open.



Warning: Attention: Radiation du faisceau laser invisible en cas d'ouverture. Eviter toute exposition aux rayons.



Warning: Vorsicht: Unsichtbare Laserstrahlung, Wenn Abdeckung geöffnet, nicht dem Strahl aussetzen.



Warning: Advertencia: Radiación láser invisible al ser abierto. Evite exponerse a los rayos.



Warning: Advarsel: Laserstråling vedåbning se ikke ind i strålen



Warning: Varo! Lavattaessa Olet Alttina Lasersäteilylle



Warning: Varning: Laserstrålning när denna del är öppnad lå tuijota såteeseenstirra ej in i strålen.



Warning: Varning: Laserstrålning nar denna del år öppnadstirra ej in i strålen.



Warning: Advarsel: Laserstråling nar deksel åpnesstirr ikke inn i strålen.

Lithium Battery Statements



Warning: If a lithium battery is a soldered part, only qualified SGI service personnel should replace this lithium battery. For other types, replace the battery only with the same type or an equivalent type recommended by the battery manufacturer, or the battery could explode. Discard used batteries according to the manufacturer's instructions.



Warning: Advarsel!: Lithiumbatteri - Eksplosionsfare ved fejlagtig håndtering. Udskiftning må kun ske med batteri af samme fabrikat og type. Léver det brugte batteri tilbage til leverandøren.



Warning: Advarsel: Eksplosjonsfare ved feilaktig skifte av batteri. Benytt samme batteritype eller en tilsvarende type anbefalt av apparatfabrikanten. Brukte batterier kasseres i henhold til fabrikantens instruksjoner.



Warning: Varning: Explosionsfara vid felaktigt batteribyte. Använd samma batterityp eller en ekvivalent typ som rekommenderas av apparattillverkaren. Kassera använt batteri enligt fabrikantens instruktion.



Warning: Varoitus: Pärisko voi räjähtää, jos se on virheellisesti asennettu. Vaihda parisko ainoastaan laitevalmistajan suosittelemaan tyyppiin. Hävitä käytetty parisko valmistajan ohjeiden mukaisesti.



Warning: Vorsicht!: Explosionsgefahr bei unsachgemäßen Austausch der Batterie. Ersatz nur durch denselben oder einen vom Hersteller empfohlenem ähnlichen Typ. Entsorgung gebrauchter Batterien nach Angaben des Herstellers.

Index

A

Altix ICE servers
 monitoring locations, 11
Altix ICE single-rack server
 illustration, 20

B

battery statements, 70
block diagram
 system, 26

C

chassis management controller
 front panel display, 17
CMC controller
 functions, 17
CMN number, 65
Compute/Memory Blade LEDs, 52
customer service, xvii

D

documentation
 available via the World Wide Web, xvi
 conventions, xvii

E

environmental specifications, 57

F

front panel display
 L1 controller, 17

L

laser compliance statements, 69
LEDs on the front of the IRUs, 51
lithium battery warning statements, 2, 70

M

Message Passing Interface, 19
monitoring
 server, 11

N

numbering
 IRUs in a rack, 35
 racks, 36

O

optional water chilled rack cooling, 20

P

physical specifications

Altix ICE 8000 System Physical Specifications, 56

pinouts

Ethernet connector, 59

serial connector, 60

Power Supply LEDs, 51

powering on

preparation, 5

product support, xvii

R

RAS features, 33

S

server

monitoring locations, 11

system architecture, 23

system block diagram, 26

system components

Altix ICE IRU front, 35

list of, 34

system features, 27

system overview, 19

T

tall rack

features, 38

technical specifications

system level, 55

technical support, xvii

three-phase PDU, 21

troubleshooting

problems and recommended actions, 50

Troubleshooting Chart, 50