

SGI® ICE™ X System  
Hardware User Guide

Document Number 007-5806-004

---

## COPYRIGHT

© 2013-2015 Silicon Graphics International Corporation. All rights reserved; provided portions may be copyright in third parties, as indicated elsewhere herein. No permission is granted to copy, distribute, or create derivative works from the contents of this electronic documentation in any manner, in whole or in part, without the prior written permission of SGI.

---

## LIMITED RIGHTS LEGEND

The software described in this document is "commercial computer software" provided with restricted rights (except as to included open/free source) as specified in the FAR 52.227-19 and/or the DFAR 227.7202, or successive sections. Use beyond license provisions is a violation of worldwide intellectual property laws, treaties and conventions. This document is provided with limited rights as defined in 52.227-14.

The electronic (software) version of this document was developed at private expense; if acquired under an agreement with the USA government or any contractor thereto, it is acquired as "commercial computer software" subject to the provisions of its applicable license agreement, as specified in (a) 48 CFR 12.212 of the FAR; or, if acquired for Department of Defense units, (b) 48 CFR 227-7202 of the DoD FAR Supplement; or sections succeeding thereto. Contractor/manufacturer is SGI, 900 North McCarthy Blvd. Milpitas, CA 95035.

---

## TRADEMARKS AND ATTRIBUTIONS

SGI, and the SGI logo are registered trademarks and Rackable, SGI Lustre and SGI ICE are trademarks of, Silicon Graphics International, in the United States and/or other countries worldwide.

Intel, Intel QuickPath Interconnect (QPI), Itanium and Xeon are trademarks or registered trademarks of Intel Corporation or its subsidiaries in the United States and other countries.

UNIX is a registered trademark in the United States and other countries, licensed exclusively through X/Open Company, Ltd.

Infiniband is a trademark of the InfiniBand Trade Association.

Red Hat and all Red Hat-based trademarks are trademarks or registered trademarks of Red Hat, Inc. in the United States and other countries.

Linux is a registered trademark of Linus Torvalds.

All other trademarks mentioned herein are the property of their respective owners.

---

## Record of Revision

<b>Version</b>	<b>Description</b>
-001	March, 2012 First release
-002	February, 2013 Blade and rack design updates
-003	June, 2014 Blade updates
-004	November, 2015 cpower command and service reference updates



---

# Contents

<b>List of Figures</b>	xi
<b>List of Tables</b>	xiii
Audience	xv
Important Information	xv
Chapter Descriptions	xvi
Related Publications	xvii
Obtaining SGI Publications	xviii
Conventions	xix
Product Support	xix
Reader Comments	xx
<b>1. Operation Procedures</b>	<b>1</b>
Precautions	1
ESD Precaution	1
Safety Precautions	2
Console Connections	3
Powering the System On and Off	4
Preparing to Power On	5
Powering On and Off	8
Console Management Power (cpower) Commands	8
Monitoring Your Server	12
Optional SGI Remote Services (SGI RS)	13
SGI Remote Services Primary Capabilities	14
SGI Remote Services Benefits	14
SGI Remote Service Operations Overview	14

<b>2.</b>	<b>System Management</b>	. . . . .	17
	Using the 1U Console Option	. . . . .	19
	Levels of System and Chassis Control	. . . . .	19
	Chassis Controller Interaction	. . . . .	19
	Chassis Manager Interconnects	. . . . .	20
	M-rack Chassis Manager Interconnection	. . . . .	21
	Chassis Management Control (CMC) Functions	. . . . .	22
	CMC Connector Ports and Indicators	. . . . .	23
	System Power Status	. . . . .	23
<b>3.</b>	<b>System Overview</b>	. . . . .	25
	System Models	. . . . .	26
	SGI ICE X System and Blade Architectures	. . . . .	29
	IP113 Blade Architecture Overview	. . . . .	29
	IP115 Blade Architecture Overview	. . . . .	30
	IP119 Blade Architecture Overview	. . . . .	31
	IP131 Blade Architecture Overview	. . . . .	32
	IP133 Blade Architecture Overview	. . . . .	33
	QuickPath Interconnect Features	. . . . .	34
	IP113, IP115 and IP119 QPI Bandwidth	. . . . .	34
	IP131 and IP133 QPI Bandwidth	. . . . .	34
	Blade Memory Features	. . . . .	35
	Blade DIMM Memory Features	. . . . .	35
	Memory Channel Recommendation	. . . . .	35
	Blade DIMM Bandwidth Factors	. . . . .	35
	System InfiniBand Switch Blades	. . . . .	36
	Enclosure Switch Density Choices	. . . . .	36

System Features and Major Components . . . . .	38
Modularity and Scalability . . . . .	38
System Administration Server . . . . .	39
Rack Leader Controller . . . . .	40
Multiple Chassis Manager Connections . . . . .	40
The RLC as Fabric Manager . . . . .	41
Service Nodes . . . . .	42
Login Server Function . . . . .	42
Batch Server Node . . . . .	43
I/O Gateway Node . . . . .	43
Optional Lustre Nodes Overview . . . . .	44
MDS Node . . . . .	44
OSS Node . . . . .	45
Reliability, Availability, and Serviceability (RAS) . . . . .	45
System Components . . . . .	47
D-Rack Unit Numbering . . . . .	51
Rack Numbering . . . . .	51
Optional System Components . . . . .	51
Optional SGI Remote Services (SGI RS) . . . . .	51
SGI Remote Services Primary Capabilities . . . . .	52
SGI Remote Services Benefits . . . . .	52
SGI Remote Service Operations Overview . . . . .	53
SGI Warranty Levels . . . . .	54
<b>4. Rack Information . . . . .</b>	<b>55</b>
Overview . . . . .	55
SGI ICE X Series D-Rack (42U) . . . . .	56
ICE X D-Rack Technical Specifications . . . . .	61
SGI ICE X M-Cell Rack Assemblies . . . . .	62
M-Cell Functional Overview . . . . .	63

<b>5.</b>	<b>SGI ICE X Administration/Leader Servers</b>	. 67
	Overview	. 68
	System Hierarchy	. 68
	Communication Hierarchy	. 69
	1U Rack Leader Controller and Administration Server	. 71
	1U Service Nodes	. 72
	C1104G-RP5 1U Service Node	. 72
	2U Service Nodes	. 74
	RP2 2U Service Nodes	. 74
	RP2 Service Node Front Controls	. 74
	RP2 Service Node Back Panel Components	. 76
	C2110G-RP5-P 2U Service Node	. 77
	SGI UV 20 2U Service Node	. 79
<b>6.</b>	<b>Basic Troubleshooting</b>	. 81
	Troubleshooting Chart	. 82
	LED Status Indicators	. 83
	Blade Enclosure Pair Power Supply LEDs	. 83
	IP113 Compute Blade LEDs	. 84
	IP115 Compute Blade Status LEDs	. 85
	IP119 Compute Blade Status LEDs	. 87
	IP131 Compute Blade Status LEDs	. 88
	IP133 Compute Blade Status LEDs	. 89
	Accessing Online Support Information and Services	. 90
	SGI Customer Portal	. 90
	Technical Assistance	. 91
	Other Resources	. 91
	SGI Warranty Levels	. 91
	Optional SGI Remote Services (SGI RS)	. 92
<b>7.</b>	<b>Maintenance Procedures</b>	. 93
	Maintenance Precautions and Procedures	. 93
	Preparing the System for Maintenance or Upgrade	. 94
	Installing or Removing Internal Parts	. 94



Replacing ICE X System Components . . . . .	95
Removing and Replacing a Blade Enclosure Power Supply . . . . .	95
Removing and Replacing Rear Fans (Blowers) . . . . .	98
Removing or Replacing a Fan Enclosure Power Supply . . . . .	102
Removing a Fan Assembly Power Supply . . . . .	102
Replacing a Fan Power Supply . . . . .	102
Overview of PCI Express Operation . . . . .	105
<b>A. Technical Specifications and Pinouts . . . . .</b>	<b>107</b>
System-level Specifications . . . . .	107
D-Rack Physical and Power Specifications . . . . .	108
D-Rack System Environmental Specifications . . . . .	109
ICE X M-Rack Technical Specifications . . . . .	110
Ethernet Port Specification . . . . .	112
<b>B. Safety Information and Regulatory Specifications . . . . .</b>	<b>113</b>
Safety Information . . . . .	113
Regulatory Specifications . . . . .	115
CMN Number . . . . .	115
CE Notice and Manufacturer’s Declaration of Conformity . . . . .	115
Electromagnetic Emissions . . . . .	115
FCC Notice (USA Only) . . . . .	116
Industry Canada Notice (Canada Only) . . . . .	116
VCCI Notice (Japan Only). . . . .	117
Chinese Class A Regulatory Notice . . . . .	117
Korean Class A Regulatory Notice . . . . .	117
Shielded Cables. . . . .	118
Electrostatic Discharge and Laser Compliance. . . . .	118
Lithium Battery Statements. . . . .	119
<b>Index . . . . .</b>	<b>121</b>



---

# List of Figures

<b>Figure 1-1</b>	Flat Panel Rackmount Console Option . . . . .	3
<b>Figure 1-2</b>	Administrative Controller Video Console Connection Points . . . . .	4
<b>Figure 1-3</b>	Blade Enclosure Power Supply Cable Example . . . . .	5
<b>Figure 1-4</b>	Eight-Outlet Single-Phase PDU Example . . . . .	6
<b>Figure 1-5</b>	Three-Phase PDU Examples . . . . .	7
<b>Figure 1-6</b>	Blade Enclosure Chassis Management Board Locations . . . . .	13
<b>Figure 1-7</b>	SGI Remote Services Process Overview. . . . .	15
<b>Figure 2-1</b>	SGI ICE X System Network Access Example . . . . .	18
<b>Figure 2-2</b>	Redundant Chassis Manager Interconnect Diagram Example . . . . .	20
<b>Figure 2-3</b>	Non-redundant Chassis Manager Interconnection Diagram Example . . . . .	21
<b>Figure 2-4</b>	M-rack System Chassis Manager Interconnect Example . . . . .	22
<b>Figure 2-5</b>	Chassis Management Controller Board Front Panel Ports and Indicators . . . . .	23
<b>Figure 3-1</b>	SGI ICE X Series System (Single Rack - Air Cooled Example) . . . . .	26
<b>Figure 3-2</b>	D-rack Blade Enclosure and Rack Components Example . . . . .	28
<b>Figure 3-3</b>	InfiniBand 48-port (Premium) FDR Switch Numbering in Blade Enclosures	37
<b>Figure 3-4</b>	SGI ICE X System and Network Components Overview . . . . .	39
<b>Figure 3-5</b>	D-Rack Administration and RLC Cabling to CMCs Example . . . . .	41
<b>Figure 3-6</b>	Example Rear View of a 1U Service Node . . . . .	42
<b>Figure 3-7</b>	2U Service Node Front and Rear Panel Example . . . . .	43
<b>Figure 3-8</b>	SGI ICE X Series D-Rack Blade Enclosure Pair Components Example . . . . .	48
<b>Figure 3-9</b>	Single-node D-Rack Blade Enclosure Pair Component Front Diagram . . . . .	49
<b>Figure 3-10</b>	M-Rack Blade Enclosure Pair Components Example . . . . .	50
<b>Figure 3-11</b>	SGI Remote Services Process Overview. . . . .	53
<b>Figure 4-1</b>	SGI ICE X Series D-Rack Example . . . . .	57
<b>Figure 4-2</b>	Front Lock on Tall (42U) D-Rack . . . . .	58
<b>Figure 4-3</b>	Optional Water-Chilled Door Panels on Rear of ICE X D-Rack . . . . .	59
<b>Figure 4-4</b>	Air-Cooled D-Rack Rear Door and Lock Example . . . . .	60

<b>Figure 4-5</b>	M-Cell Rack Configuration Example (Top View) . . . . .	62
<b>Figure 4-6</b>	SGI ICE X Multi-Cell (M-Cell) Rack Array Example . . . . .	64
<b>Figure 4-7</b>	Half M-Cell Rack Assembly (½-Cell) Example . . . . .	65
<b>Figure 5-1</b>	SGI ICE X System Administration Hierarchy Example Diagram . . . . .	70
<b>Figure 5-2</b>	1U Rack Leader Controller (RLC) Server Front and Rear Panels . . . . .	71
<b>Figure 5-3</b>	SGI Rackable C1104G-RP5 1U Service Node Front and Rear Panels . . . . .	73
<b>Figure 5-4</b>	SGI Rackable C1104G-RP5 System Control Panel and LEDs . . . . .	73
<b>Figure 5-5</b>	8-HDD Configuration RP2 Service Node Front Panel Example . . . . .	74
<b>Figure 5-6</b>	C2108-RP2 Service Node Front Control Panel—Horizontal Layout. . . . .	74
<b>Figure 5-7</b>	RP2 Service Node Back Panel Components Example . . . . .	76
<b>Figure 5-8</b>	Front and Rear Views of the SGI C2110G-RP5-P 2U Service Node. . . . .	77
<b>Figure 5-9</b>	SGI Rackable C2110G-RP5-P 2U Service Node Control Panel Diagram . . . . .	78
<b>Figure 5-10</b>	SGI UV 20 Service Node Front Panel Example . . . . .	79
<b>Figure 5-11</b>	SGI UV 20 Service Node Rear Panel and Component Descriptions . . . . .	79
<b>Figure 5-12</b>	SGI UV 20 Service Node Front Control Panel Description . . . . .	80
<b>Figure 6-1</b>	Power Supply Status LED Indicator Locations . . . . .	83
<b>Figure 6-2</b>	IP113 Compute Blade Status LED Locations Example . . . . .	84
<b>Figure 6-3</b>	IP115 Compute Blade Status LEDs Example. . . . .	85
<b>Figure 6-4</b>	IP119 Blade Status LEDs Example . . . . .	87
<b>Figure 6-5</b>	IP131 Compute Blade Status LED Locations Example . . . . .	88
<b>Figure 6-6</b>	IP133 Blade Status LEDs Example . . . . .	89
<b>Figure 7-1</b>	Removing an Enclosure Power Supply . . . . .	96
<b>Figure 7-2</b>	Replacing an Enclosure Power Supply . . . . .	97
<b>Figure 7-3</b>	Enclosure-Pair Rear Fan Assembly (Blowers) . . . . .	99
<b>Figure 7-4</b>	Removing a Fan From the Rear Assembly . . . . .	100
<b>Figure 7-5</b>	Replacing an Enclosure Fan . . . . .	101
<b>Figure 7-6</b>	Removing a Power Supply From the Fan Power Box . . . . .	103
<b>Figure 7-7</b>	Replacing a Power Supply in the Fan Power Box . . . . .	104
<b>Figure 7-8</b>	Comparison of PCI/PCI-X Connector with PCI Express Connectors . . . . .	105
<b>Figure A-1</b>	Ethernet Port . . . . .	112
<b>Figure B-1</b>	VCCI Notice (Japan Only) . . . . .	117
<b>Figure B-2</b>	Chinese Class A Regulatory Notice . . . . .	117
<b>Figure B-3</b>	Korean Class A Regulatory Notice . . . . .	117

---

## List of Tables

<b>Table 1-1</b>	cpower option, action, target type and target list descriptions . . . . .	8
<b>Table 1-2</b>	cpower example command strings . . . . .	11
<b>Table 4-1</b>	Tall SGI ICE X D-Rack Technical Specifications . . . . .	61
<b>Table 4-2</b>	SGI ICE X M-Rack Technical Specifications . . . . .	63
<b>Table 5-1</b>	C2108-RP2 Control Panel Components . . . . .	75
<b>Table 5-2</b>	RP2 Service Node Back Panel Components . . . . .	76
<b>Table 5-3</b>	C2110G-RP5-P 2U Server Control Panel Functions (listed top to bottom) .	78
<b>Table 6-1</b>	Troubleshooting Chart . . . . .	82
<b>Table 6-2</b>	Power Supply LED States . . . . .	83
<b>Table 7-1</b>	Customer-replaceable Components and Maintenance Procedures . . . . .	94
<b>Table 7-2</b>	SGI Administrative Server PCIe Support Levels . . . . .	106
<b>Table A-1</b>	SGI ICE X Series Configuration Ranges . . . . .	107
<b>Table A-2</b>	ICE X System D-Rack Physical Specifications . . . . .	108
<b>Table A-3</b>	Environmental Specifications (Single D-Rack) . . . . .	109
<b>Table A-4</b>	SGI ICE X M-Rack Physical Specifications . . . . .	110
<b>Table A-5</b>	Environmental Specifications (Single M-Rack) . . . . .	111
<b>Table A-6</b>	Ethernet Pinouts . . . . .	112



---

## About This Guide

This guide provides an overview of the architecture, general operation and descriptions of the major components that compose the SGI® Integrated Compute Environment (ICE™) X series blade enclosure systems. It also provides the standard procedures for powering on and powering off the system, basic troubleshooting information, customer maintenance procedures and important safety and regulatory specifications.

### Audience

This guide is written for owners, system administrators, and users of SGI ICE X series computer systems.

It is written with the assumption that the reader has a good working knowledge of computers and computer systems.

### Important Information



---

**Warning:** To avoid problems that could void your warranty, your SGI or other approved service technician should perform all the setup, addition, or replacement of parts, cabling, and service of your SGI ICE X series system, with the exception of the following items that you can perform yourself:

---

- Using your system console or network access workstation to enter commands and perform system functions such as powering on and powering off, as described in this guide.
- Removing and replacing power supplies and fans as detailed in this document.
- Adding and replacing disk drives in optional storage systems and using the operator's panel on optional mass storage.

## Chapter Descriptions

The following topics are covered in this guide:

- Chapter 1, “Operation Procedures,” provides instructions for powering on and powering off your system.
- Chapter 2, “System Management,” describes the function of the chassis management controllers (CMC) and provides overview instructions for operating the controllers.
- Chapter 3, “System Overview,” provides environmental and technical information needed to properly set up and configure the blade systems.
- Chapter 4, “Rack Information,” describes the system’s rack features.
- Chapter 5, “SGI ICE X Administration/Leader Servers” describes all the controls, connectors and LEDs located on the front of the stand-alone administrative, rack leader and other support server nodes. An outline of the server functions is also provided.
- Chapter 6, “Basic Troubleshooting,” provides recommended actions if problems occur on your system.
- Chapter 7, “Maintenance Procedures,” covers end-user service procedures that do not require special skills or tools to perform. Procedures not covered in this chapter should be referred to SGI customer support specialists or in-house trained service personnel.
- Appendix A, “Technical Specifications and Pinouts,” provides physical, environmental, and power specifications for your system. Also included are the pinouts for the non-proprietary connectors.
- Appendix B, “Safety Information and Regulatory Specifications,” lists regulatory information related to use of the blade cluster system in the United States and other countries. It also provides a list of safety instructions to follow when installing, operating, or servicing the product.



## Related Publications

The following documents are relevant to and can be used with the ICE X series of computer systems:

- *SuperServer 6017R-N3RF4+ User's Manual*, (P/N 007-5849-00x)

This guide discusses the use, maintenance and operation of the 1U server primarily used as the system's rack leader controller (RLC) server node. This stand-alone 1U compute node is also used as the default administrative server on the ICE X system. It may also be ordered configured as a login, or batch server, or other type of support server used with the ICE X series of computer systems.

- *SGI Rackable C1104G-RP5 System User Guide* (P/N 007-5839-00x)

This user guide covers an overview of the installation, architecture, general operation, and descriptions of the major components in the SGI Rackable C1104G-RP5 server. It also provides basic troubleshooting and maintenance information, and important safety and regulatory specifications. This 1U server is used only as an optional service node for login, batch, MDS or other service node purposes. This server is **not** used as a system RLC or administrative server.

- *SGI Rackable C2110G-RP5-P System User Guide* (P/N 007-6343-00x)

This guide covers general operation, installation, configuration, and servicing of the 2U Rackable C2110G-RP5-P server node used in the SGI ICE X system. The 2U server can be used as a service node for login, batch, I/O gateway, MDS, or other service node purposes.

- *SGI Rackable RP2 Standard Depth Servers User Guide* (P/N 007-5837-00x)

This guide covers general operation, configuration, and servicing of the 2U Rackable C2108-RP2 server node(s) used in the SGI ICE X system. The C2108-RP2 can be used as a service node for login, batch, MDS, or other service node purposes.

- *SGI UV 20 System User Guide*, (P/N 007-5900-00x)

This user guide covers general operation, configuration, and troubleshooting. Also included is a description of major components of the optional 2U-high SGI UV 20 four-socket server node unit used in SGI ICE X systems. The UV 20 server cannot be used as an administrative server or rack leader controller.

Uses for the UV 20 service node include configuration as an I/O gateway, a mass storage resource, a general service node for login or batch services or some combination of the previous functions.

- *SGI Management Center Installation and Configuration Guide for Clusters*, (P/N 007-6359-00x)

This guide discusses software installation and system configuration operations used with the SGI ICE X series servers. The management center software is also used to provision other non-ICE clusters or other SGI systems.

- *SGI Management Center Administration Guide for Clusters*, (P/N 007-6358-00x)

This document is intended for people who manage and administer the operation of SGI ICE X systems. The management center software is also used to administer other non-ICE SGI clusters or systems.

## Obtaining SGI Publications

You can obtain SGI documentation as follows:

Use the SGI customer portal and support website at:  
<http://support.sgi.com>

Click on the following:

**Support by Product** > *productname* > **Documentation**

If you do not find what you are looking for, you can search for a specific product name by selecting **Search Knowledgebase** and using the category **Documentation**.

SGI systems shipped with Linux include a set of Linux man pages, formatted in the standard UNIX “man page” style. You can view man pages by typing `man title` at a command line.

## Conventions

The following conventions are used throughout this document:

<b>Convention</b>	<b>Meaning</b>
Command	This fixed-space font denotes literal items such as commands, files, routines, path names, signals, messages, and programming language structures.
<i>variable</i>	The italic typeface denotes variable entries and words or concepts being defined. Italic typeface is also used for book titles.
<b>user input</b>	This bold fixed-space font denotes literal items that the user enters in interactive sessions. Output is shown in nonbold, fixed-space font.
[ ]	Brackets enclose optional portions of a command or directive line.
...	Ellipses indicate that a preceding element can be repeated.
man page(x)	Man page section identifiers appear in parentheses after man page names.
<b>GUI element</b>	This font denotes the names of graphical user interface (GUI) elements such as windows, screens, dialog boxes, menus, toolbars, icons, buttons, boxes, fields, and lists.

## Product Support

SGI provides a comprehensive product support and maintenance program for its products, as follows:

- If you are in North America, contact the Technical Assistance Center at +1 800 800 4SGI or contact your authorized service provider.
- If you are outside North America, contact the SGI subsidiary or authorized distributor in your country. International customers can visit <http://www.sgi.com/support/>. Click on the “Support Centers” link under the “Online Support” heading for information on how to contact your nearest SGI customer support center.

## Reader Comments

If you have comments about the technical accuracy, content, or organization of this document, contact SGI. Be sure to include the title and document number of the manual with your comments. (Online, the document number is located in the front matter of the manual. In printed manuals, the document number is located at the bottom of each page.)

You can contact SGI in the following ways:

- Send e-mail to the following address: [techpubs@sgi.com](mailto:techpubs@sgi.com)
- Contact your customer service representative and ask that an incident be filed in the SGI incident tracking system.

SGI values your comments and will respond to them promptly.

# Operation Procedures

This chapter explains how to operate your new system in the following sections:

- “Precautions” on page 1
- “Console Connections” on page 3
- “Powering the System On and Off” on page 4
- “Monitoring Your Server” on page 12

## Precautions

Before operating your system, familiarize yourself with the safety information in the following sections:

- “ESD Precaution” on page 1
- “Safety Precautions” on page 2

## ESD Precaution

---

**Caution:** Observe all electro-static discharge (ESD) precautions. Failure to do so can result in damage to the equipment.

---

Wear an approved ESD wrist strap when you handle any ESD-sensitive device to eliminate possible damage to equipment. Connect the wrist strap cord directly to earth ground.

## Safety Precautions



---

**Warning:** Before operating or servicing any part of this product, read the “Safety Information” on page 113.

---



---

**Danger:** Keep fingers and conductive tools away from high-voltage areas. Failure to follow these precautions will result in serious injury or death. The high-voltage areas of the system are indicated with high-voltage warning labels.

---



---

**Caution:** Power off the system only after the system software has been shut down in an orderly manner. If you power off the system before you halt the operating system, data may be corrupted.

---



---

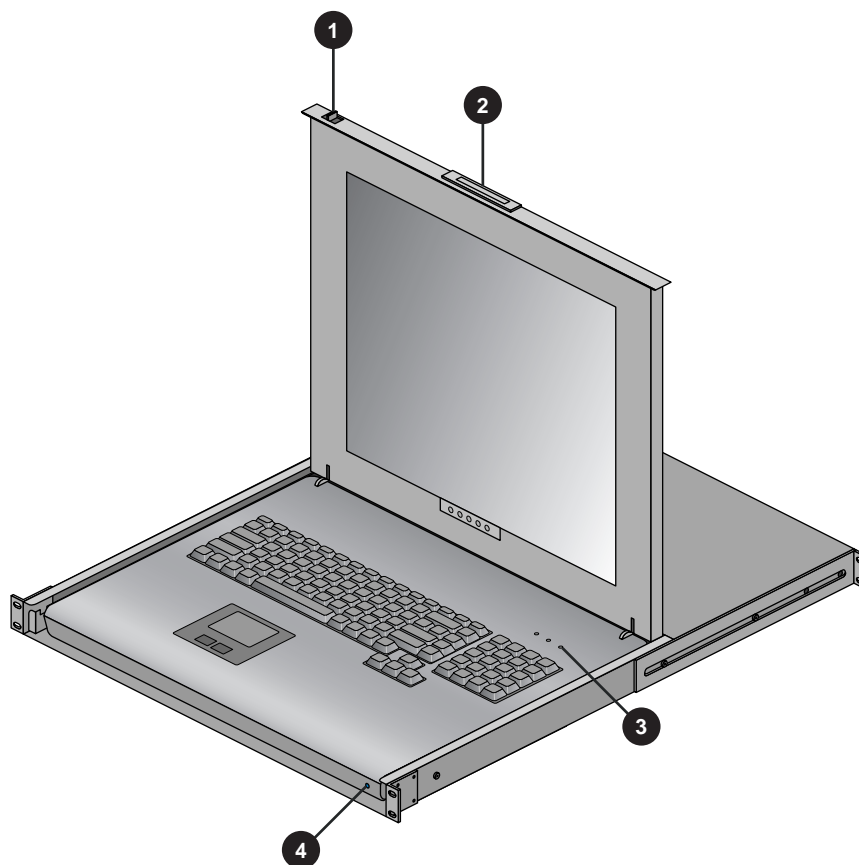
**Warning:** If a lithium battery is installed in your system as a soldered part, only qualified SGI service personnel should replace this lithium battery. For a battery of another type, replace it only with the same type or an equivalent type recommended by the battery manufacturer, or an explosion could occur. Discard used batteries according to the manufacturer’s instructions.

---

## Console Connections

The flat panel console option (see Figure 1-1) has the following listed features:

1. **Slide Release** - Move this tab sideways to slide the console out. It locks the drawer closed when the console is not in use and prevents it from accidentally sliding open.
2. **Handle** - Used to push and pull the module in and out of the rack.
3. **LCD Display Controls** - The LCD controls include On/Off buttons and buttons to control the position and picture settings of the LCD display.
4. **Power LED** - Illuminates blue when the unit is receiving power.

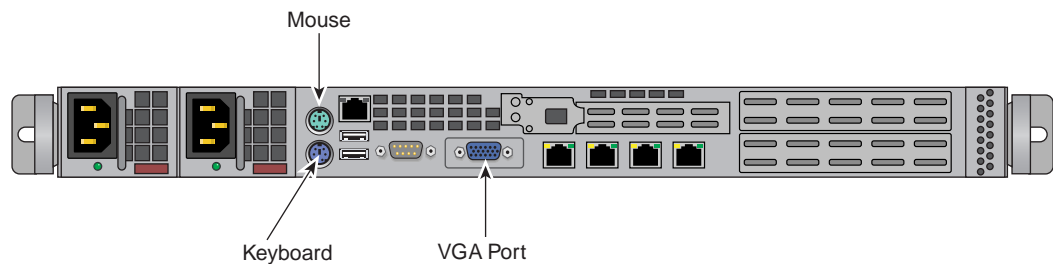


**Figure 1-1** Flat Panel Rackmount Console Option

A console is defined as a connection to the system (to the administrative server) that provides administrative access to the cluster. SGI offers a rackmounted flat panel console option that attaches to the administrative node's video, keyboard and mouse connectors.

A console can also be a LAN-attached personal computer, laptop or workstation (RJ45 Ethernet connection). Serial-over-LAN is enabled by default on the administrative controller server and normal output through the RS-232 port is disabled. In certain limited cases, a dumb (RS-232) terminal could be used to communicate directly with the administrative server. This connection is typically used for service purposes or for system console access in smaller systems, or where an external ethernet connection is not used or available. Check with your service representative if use of an RS-232 terminal is required for your system.

The flat panel rackmount or other optional VGA console connects to the administration controller's video and keyboard/mouse connectors as shown in Figure 1-2.



**Figure 1-2** Administrative Controller Video Console Connection Points

## Powering the System On and Off

This section explains how to power on and power off individual rack units, or your entire SGI ICE X system, as follows:

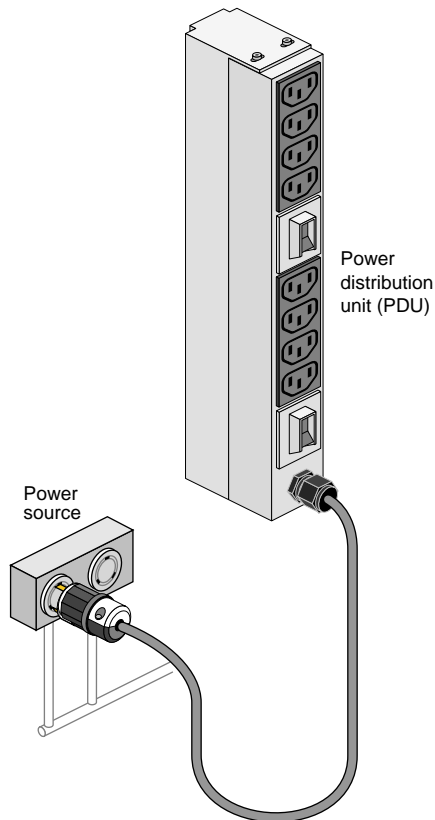
- “Preparing to Power On” on page 5
- “Powering On and Off” on page 8

Entering commands from a system console, you can power on and power off individual blade enclosures, blade-based nodes, and stand-alone servers, or the entire system.



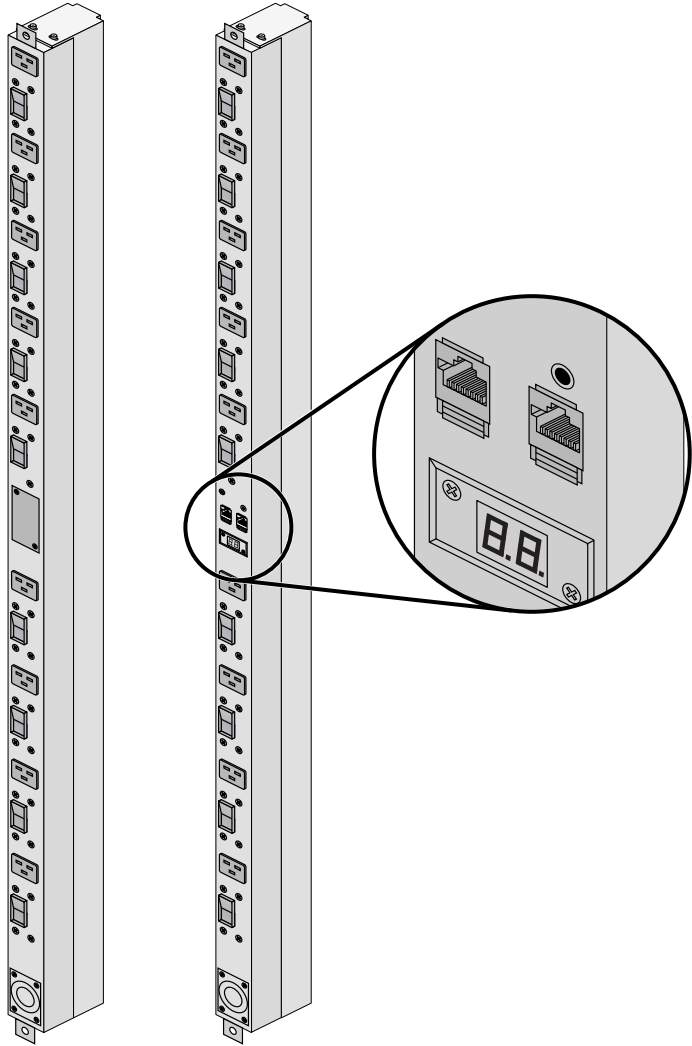


4. Make sure that all PDU circuit breaker switches (see the examples in Figure 1-4, and Figure 1-5 on page 7) are turned on to provide power when the system is booted up.



**Figure 1-4** Eight-Outlet Single-Phase PDU Example

Figure 1-5 on page 7 shows an example of the three-phase PDUs.



**Figure 1-5** Three-Phase PDU Examples

## Powering On and Off

The power-on and off procedure varies with your system setup. See the *SGI Management Center Administration Guide for Clusters*, (P/N 007-6358-00x) for a more complete description of system commands. The listed commands are supported with SMC 3.1 or later management software.

---

**Note:** The `cpower` commands are normally run through the administration node. If you have a terminal connected to an administrative server with a serial interface, you should be able execute these commands.

---

### Console Management Power (`cpower`) Commands

This section provides an overview of the console management power (`cpower`) commands for the SGI ICE X system.

The `cpower` commands allow you to power on, power off, reset, and show the power status of multiple or single system components or individual racks.

The `cpower` command is, as follows:

```
cpower <option...> <target_type> <action> <target_list>
```

Example `cpower` command arguments are listed and described in Table 1-1. See Table 1-2 on page 11 for examples of the `cpower` command strings.

**Table 1-1** `cpower` option, action, target type and target list descriptions

Argument	Description
<b>Option</b>	
-h   --help	Show this help message and then exit.
-w   --wait	Wait for certain operations, (verification waiting timeout).
-i <i>seconds</i>   --interval= <i>seconds</i>	Specifies how long a target component's LED will stay lit. This is valid with the "identify" action (see the action descriptions). Specify a number of seconds or use 0 to turn off the LED immediately. Also valid with <code>reboot</code> , <code>reset</code> and <code>on</code> actions.
-u   --no-umatched	Unmatched target messages will be suppressed in the command output.
-v   --verbose	Report command progress details and all errors.

**Table 1-1 (continued)** cpower option, action, target type and target list descriptions

Argument	Description
<b>Target_type</b>	
node	Apply the action to a node or nodes. Nodes can be blade compute nodes (inside a blade enclosure), administrative server nodes, rack leader controller nodes or service nodes.
iru	Apply the action at the blade enclosure level. For the <code>on</code> and <code>off</code> actions, the IRU's switches and ICE compute blades are also targeted.
leader	Applies the action to the rack leader nodes specified by <i>target_list</i> . Note that accidental reset of an RLC could make a rack's blade nodes unreachable.
system	Apply the action to the entire system (with the exception of the admin node). You must not specify a target with this type.
switch	Allows the target types to be InfiniBand switches and applies the action to the blade switches specified by <i>target_list</i> .
<b>Action</b>	
status	Shows the power status of the target [default].
identify	Turns on the identifying LED of the target for the period specified by the <code>-i seconds</code> option (see the description in the <b>Option</b> portion of this table).
on	Powers on the target by sending an IPMI power-on command. Valid target types are: <code>switch</code> , <code>iru</code> , <code>leader</code> , <code>node</code> and <code>system</code> . If the target type is <code>system</code> , leaders and compute nodes are powered on first; then, the ICE compute nodes are powered on.
off	Powers off the target by sending an IPMI power-off command. Valid target types are: <code>switch</code> , <code>iru</code> , <code>leader</code> , <code>node</code> and <code>system</code> . If the target type is <code>system</code> , ICE compute nodes are powered off first; then, rack leaders are powered off. If the target type is <code>iru</code> , the associated blade switches are also powered off. Initiates an automatic reboot of targets upon completion of power-off sequence: use the <code>halt</code> action to stop this.
cycle	Power cycles the target by sending an IPMI <code>cycle</code> command. Valid target types include <code>leader</code> , <code>switch</code> and <code>node</code> .
reboot	Reboots the target via <code>ssh reboot</code> command, even if it is already booted. Wait option ( <code>--wait</code> ) valid for <code>leader</code> and <code>node</code> targets to boot.

**Table 1-1 (continued)** cpower option, action, target type and target list descriptions

Argument	Description
halt	Halts and then powers-off the target(s). Halts the target by issuing a <code>halt</code> command via <code>ssh</code> . Valid target types are: <code>leader</code> , <code>node</code> , <code>system</code> . If the target type is <code>system</code> , ICE compute nodes are halted first; then, the leaders are halted.
reset	Performs a hard reset on the target by sending an IPMI <code>reset</code> command. Valid target types are: <code>leader</code> and <code>node</code> . The <code>--wait</code> option is available for this action.
shutdown	Shuts down the target (but does not power it off) by sending a <code>shutdown -h now</code> command via <code>ssh</code> . Waits for targets to shut down. Valid target types are: <code>node</code> , <code>leader</code> and <code>system</code> .
<b>Target_list</b>	
*	Performs the listed action on all specified target types (such as " <code>r1i*n*</code> " which would affect all IRUs and nodes in rack one).
?	Match exactly one character. Target list " <code>r?i*n*</code> " matches racks 1 through 9 only.
[]	The target list is any of the range of characters specified within brackets. A target list of " <code>r1i2n[1-3]</code> " would mean nodes 1 thru 3 inclusive in rack one, IRU two.

The `cpower` `target_list` argument is required (except when the `target_type` is `system`). To ascertain the names of targets, use the `discover` command and the cluster definition file as documented in the *SGI Management Center (SMC) Installation and Configuration Guide for Clusters* (P/N 007-6359-00x).

**Table 1-2** cpower example command strings

Command	Status/result
# <code>cpower system on</code> or # <code>cpower node on "r*i*n*"</code>	Powers on all nodes in the system.
# <code>cpower node status "rli*n*"</code>	Determines the power status of all nodes in rack 1 (except CMCs).
# <code>cpower system status</code>	Provides status of every compute node in the system along with all rack leaders.
# <code>cpower node on "rli*n*"</code>	Boots any nodes in rack 1 not already online.
# <code>cpower system off</code> or # <code>cpower system halt</code>	Completely powers down <i>every</i> node in the system except the admin. If you are administering the system remotely through the RLC it may become unreachable (see the next example).
# <code>cpower node halt "r*i*n*"</code>	Shuts down (halts) all the blade enclosure compute nodes in the system, but not the administrative controller server, rack leader controller or other service nodes.
# <code>cpower system on</code>	Boots or reboots all rack leaders and nodes in a system.
# <code>cpower node on r1i0n8</code>	Command tries to specifically boot rack 1, IRU0, node 8.
# <code>cpower leader status</code>	Determines the power status of all rack leaders.
# <code>cpower node off "r2i*n*"</code>	This command example issues an ipmi tool power-off command to all of the nodes in rack 2.

See the *SGI Management Center Administration Guide for Clusters*, (P/N 007-6358-00x) for more information on `cpower` commands and related `ipmi` style commands.

See the section “System Power Status” on page 23 in this manual for additional related console information.

## Monitoring Your Server

You can monitor your SGI ICE X server from the following sources:

- An optional flat panel rackmounted monitor/keyboard can be connected to the administration server node for basic monitoring and administration of the SGI ICE X system. See the section “Console Connections” on page 3 for more information. SLES 11 or higher is required for this option.
- You can attach an optional LAN-connected console via secure shell (ssh) to an Ethernet port adapter on the administration controller server. You will need to connect either a local or remote workstation/PC to the IP address of the administration controller server to access and monitor the system via IPMI.

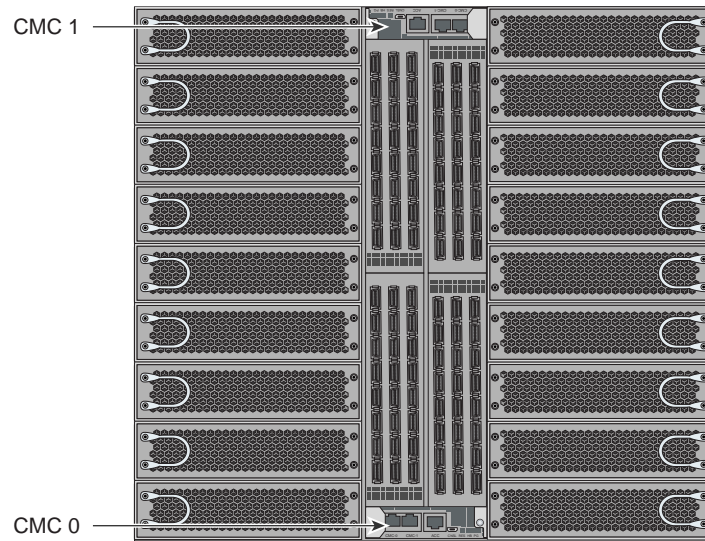
See the *SGI Management Center Administration Guide for Clusters*, (P/N 007-6358-00x) for more information on console management.

These console connections enable you to view the status and error messages generated by your SGI ICE X system. You can also use these consoles to input commands to manage and monitor your system. See the section “System Power Status” on page 23, for additional information.

Figure 1-6 on page 13 shows an example of the CMC board front panel locations in a blade enclosure. Note that a system using single-node ICE X blades will have one CMC board per blade enclosure (installed in the lower position in the enclosure). An ICE X system using dual-node blades must use two CMC boards.

See Figure 2-5 on page 23 for an example illustration of the connectors and indicators used on the CMC board.





**Figure 1-6** Blade Enclosure Chassis Management Board Locations

The primary PCIe based I/O sub-systems are sited in the administrative controller server, rack leader controller and service node systems used with the blade enclosures. These are the main configurable I/O system interfaces for the SGI ICE X systems. See the particular server's user guide for detailed information on installing optional I/O cards or other components.

Note that each blade enclosure pair is configured with either two or four InfiniBand switch blades.

## Optional SGI Remote Services (SGI RS)

The optional SGI RS system automatically detects system conditions that indicate potential future problems and then notifies the appropriate personnel. This enables you and SGI global support teams to proactively support systems and resolve issues before they develop into actual failures.

SGI Remote Services provides a secure connection to SGI Customer Support - on demand. This can ensure business continuance with SGI systems management and optimization.

## **SGI Remote Services Primary Capabilities**

- 24x7 remote monitoring and data gathering of SGI UV customer systems
- Alerts and notification on changes, failures and potential failures
- Log files immediately available
- Configuration fingerprint
- Secure file transfer
- Optional secure remote access to customer systems

## **SGI Remote Services Benefits**

- Improved uptime and system availability
- Proactive identification of issues before they create an outage
- Increase system stability by monitoring hardware and software version compatibility
- Reduced time to resolve support cases
- Greater operational efficiency
- Less involvement of customer staff during troubleshooting
- Faster support case resolution
- Improved productivity

Proactive potential problem identification can result in higher system availability

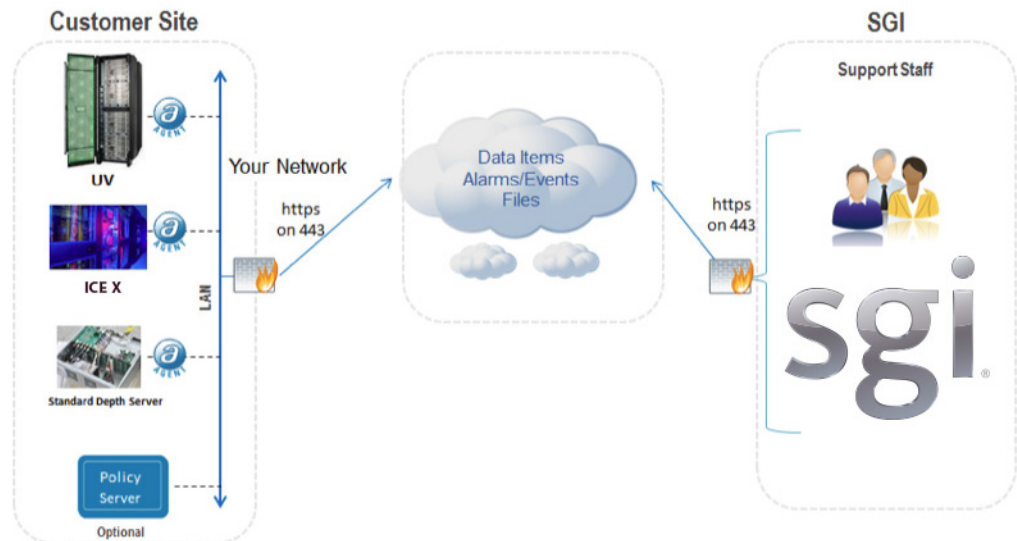
Automated Alerts and, in some instances, Case Opening results in faster problem resolution time and less direct involvement required by Customer Support Teams. SGI Remote Services are available for all UV systems and also other specific SGI systems.

## **SGI Remote Service Operations Overview**

An SGI Support Services Software Agent runs on each SGI system at your location, enabling remote system monitoring and secure communication to SGI Support staff. Your basic hardware and software configuration as well as system health information is captured and stored in the Cloud. Figure 1-7 shows an example visual overview of the monitoring and response process.

Cloud intelligence automatically reviews select Event Logs around the clock (every five minutes) to identify potential failure information. If the Cloud intelligence detects a critical Event, it notifies SGI support personnel.

This monitoring requires no changes to customer systems or firewalls as long as the SGI Agent can send HTTPS messages to highly secure Cloud and Global Access Servers. It will also have no impact on customer network or system performance. All communication between SGI global support and customer systems is kept secure using Secure Socket Layer (SSL) encryption. All communication with SGI is initiated from the customer site using HTTPS protocol on port 443.



**Figure 1-7** SGI Remote Services Process Overview



## System Management

This chapter describes the interaction and functions of system controllers in the following sections:

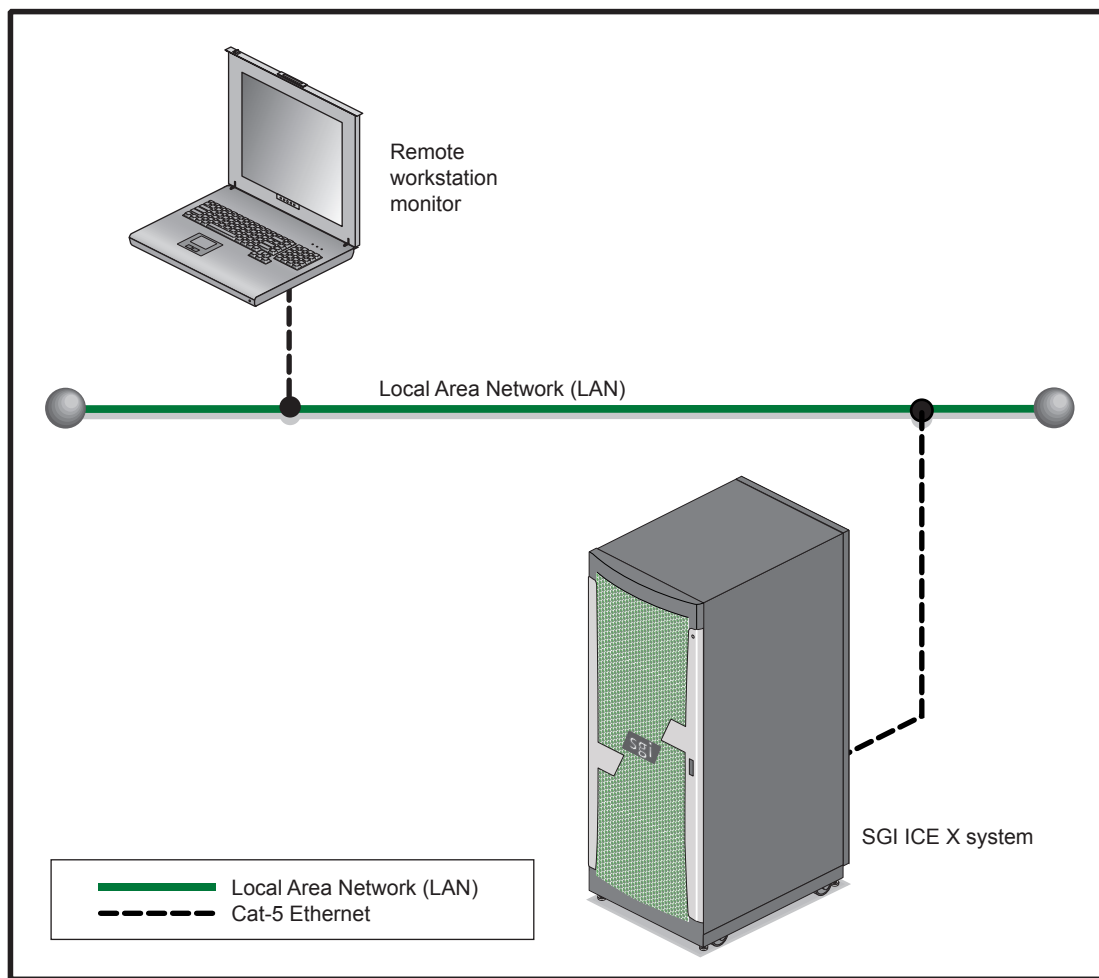
- “Levels of System and Chassis Control” on page 19
- “Chassis Manager Interconnects” on page 20
- “System Power Status” on page 23

One or two chassis management controllers (CMCs) are used in each blade enclosure. A single CMC is used with single-node blades and two CMCs are needed when the enclosure uses dual-node blades. The first CMC is located directly below the enclosure’s switch blade(s) and the other directly above. The chassis manager supports power-up and power-down of the blade enclosure’s compute node blades and environmental monitoring of all units within the enclosure.

Note that the stand-alone service nodes use IPMI to monitor system “health”.

Mass storage enclosures are not managed by the SGI ICE X system controller network.

Figure 2-1 shows an example remote LAN-connected console used to monitor a single-rack (D-rack) SGI ICE X series system.



**Figure 2-1** SGI ICE X System Network Access Example

## Using the 1U Console Option

The SGI optional 1U console is a rack-mountable unit that includes a built-in keyboard/touch-pad, and uses a 17-inch (43-cm) LCD flat panel display of up to 1280 x 1024 pixels. The 1U console attaches to the administrative controller server connectors or to an optional KVM switch (not provided standard by SGI). The 1U console is basically a “dumb” VGA terminal, it cannot be used as a workstation or loaded with any system administration program.

---

**Note:** While the 1U console is normally plugged into the administrative controller server in the SGI ICE X system, it can also be connected to a rack leader controller server in the system for terminal access purposes.

---

The 27-pound (12.27-kg) console automatically goes into sleep mode when the cover is closed.

## Levels of System and Chassis Control

The chassis management control network configuration of your ICE X series machine will depend on the size of the system and the control options selected. Typically, any system with multiple blade enclosures will be interconnected by the chassis managers in each blade enclosure.

---

**Note:** Mass storage option enclosures are not monitored by the blade enclosure’s chassis manager. Most optional mass storage enclosures have their own internal microcontrollers for monitoring and controlling all elements of the disk array.

---

## Chassis Controller Interaction

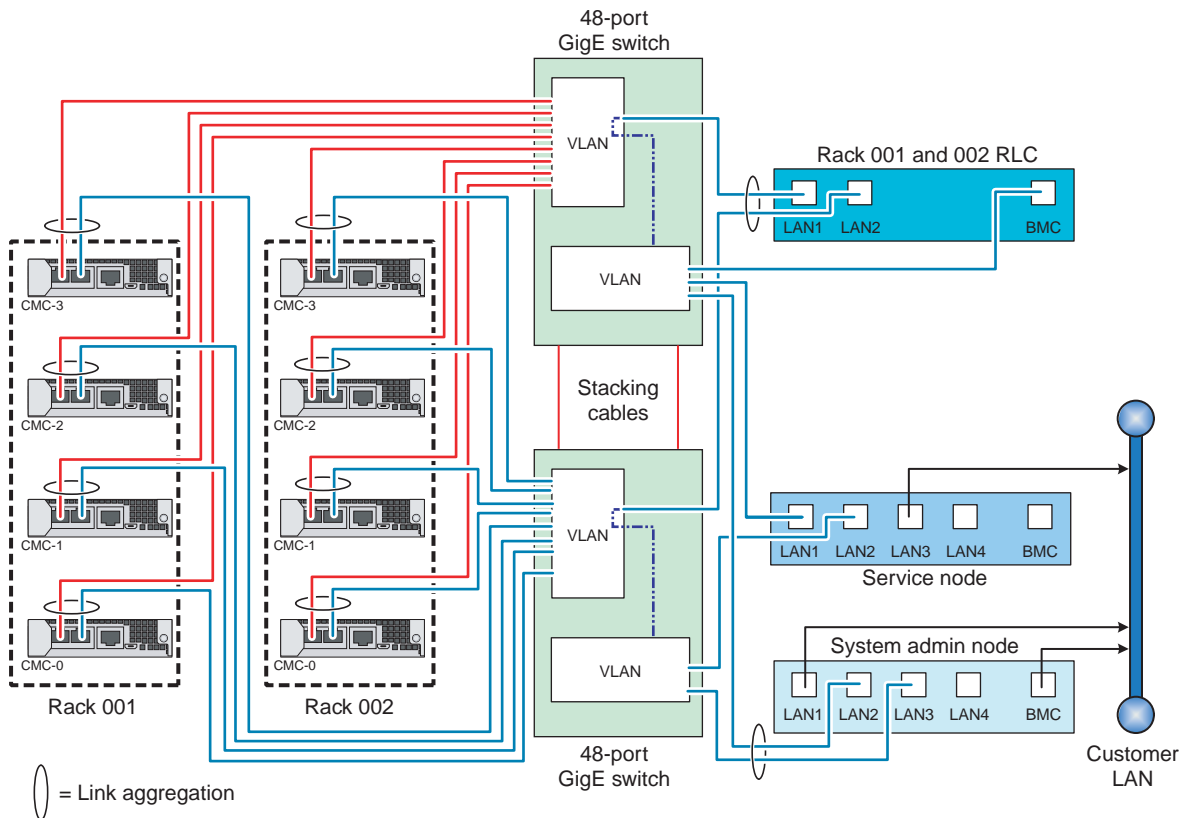
In all SGI ICE X series systems the system chassis management controllers communicate in the following ways:

- All blade enclosures within a system are polled for and provide information to the administrative node and RLC through their chassis management controllers (CMCs). Note that the CMCs are enlarged for clarity in Figure 2-3.
- The CMC does the environmental management for each blade enclosure, as well as power control, and provides an Ethernet network infrastructure for the management of the system.

**Note:** For an overview of how all the primary system components interact within the Ethernet network infrastructure communicate, see the section “System Hierarchy” in Chapter 5.

### Chassis Manager Interconnects

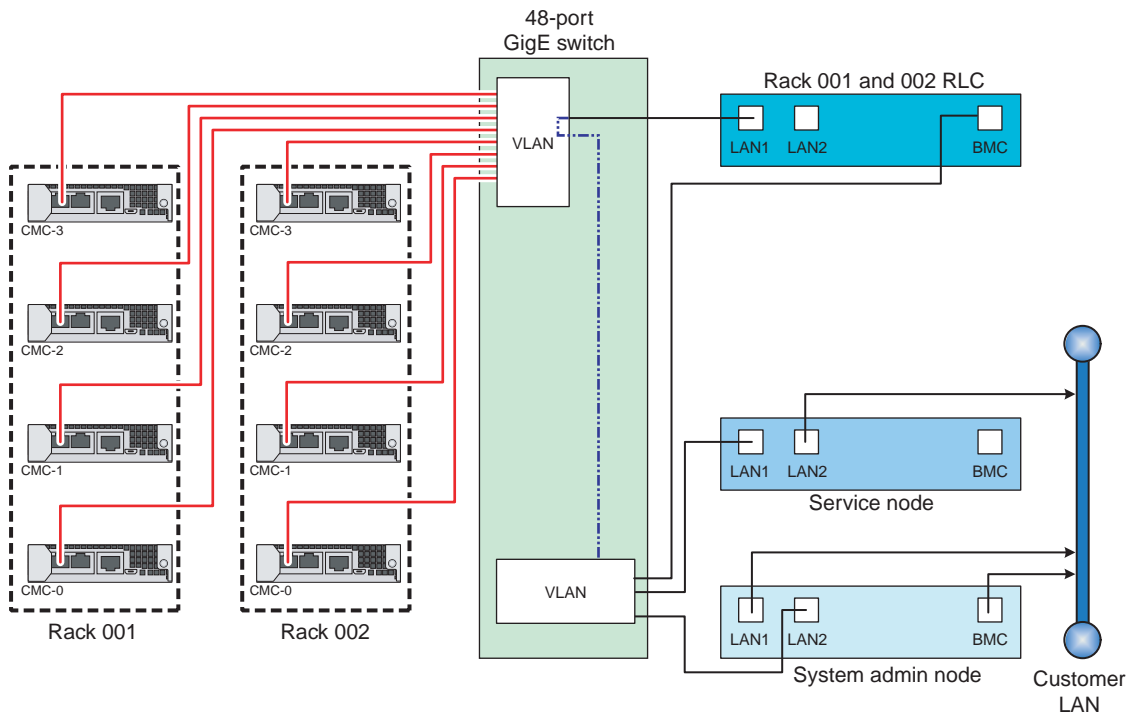
The chassis managers in each blade enclosure connect to the system administration, rack leader and service node servers via Gigabit Ethernet switches. See the redundant switch example in Figure 2-2 and the non-redundant example in Figure 2-3 on page 21.



**Figure 2-2** Redundant Chassis Manager Interconnect Diagram Example



Note that the non-redundant example (shown in Figure 2-3) is a non-standard chassis management configuration with only a single virtual local area network (VLAN) connect line from each CMC to the internal LAN switch. See also “Multiple Chassis Manager Connections” in Chapter 3.



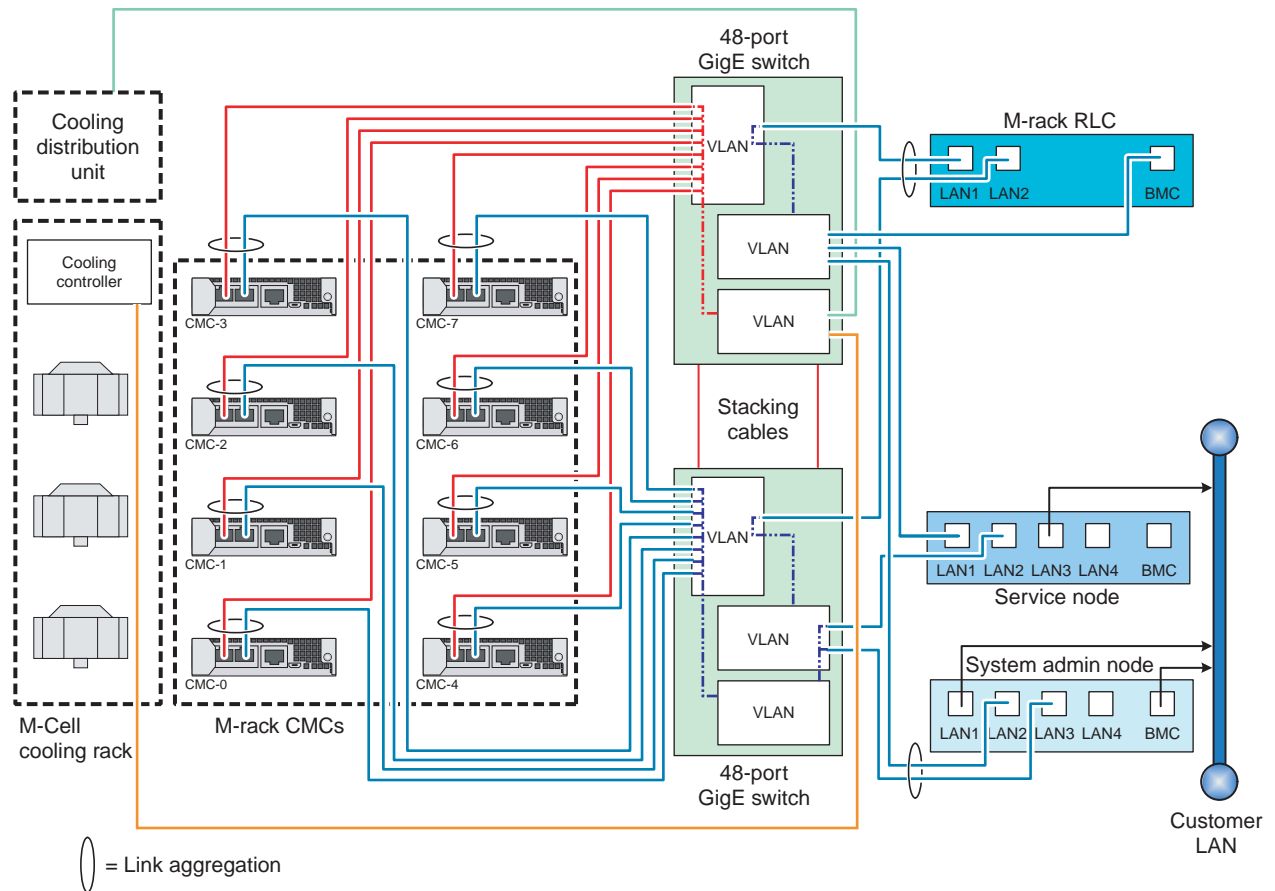
**Figure 2-3** Non-redundant Chassis Manager Interconnection Diagram Example

### M-rack Chassis Manager Interconnection

The interconnection of an M-Cell’s rack environment is somewhat more complex than a D-rack and requires the use of a third VLAN (VLAN3) within the Gigabit Ethernet switch network.

This VLAN3 interface allows the CMCs to monitor and adjust the activity of the cooling racks in an M-cell as well as the external cooling distribution unit (CDU). The CDU rack supplies cooling to the individual blades within the M-rack.

Figure 2-4 on page 22 shows a block diagram example of the interconnection scheme for an M-Cell rack.



**Figure 2-4** M-rack System Chassis Manager Interconnect Example

## Chassis Management Control (CMC) Functions

The following list summarizes the control and monitoring functions that the CMCs perform. Most functions are common across multiple blade enclosures:

- Controls and monitors blade enclosure fan speeds
- Reads system identification (ID) PROMs
- Monitors voltage levels and reports failures

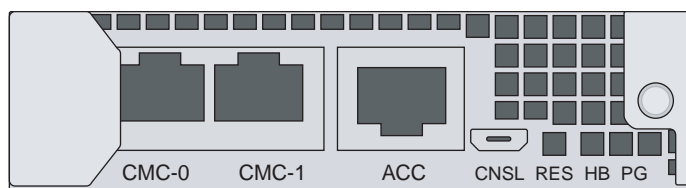
- Monitors the On/Off power sequence
- Monitors system resets
- Applies a preset voltage to switch blades and fan control boards

## CMC Connector Ports and Indicators

The ports on the CMC board are used as follows:

- CMC-0 - Primary CMC connection, connects to the RLC via the 48-port management switch
- CMC-1 - Secondary CMC connection to the RLC via the 48-port management switch (used with redundant VLAN switch configurations)
- ACC - Accessory port, used as a direct connection to the microprocessor for service
- CNSL - Console connection - used primarily for service troubleshooting
- RES - RESET switch, depress this switch to reset the CMC microprocessor
- HB - Heartbeat LED, lighted green LED indicates CMC is running
- PG - Power Good LED, this LED is illuminated green when power is present

Figure 2-5 shows the chassis management controller front panel in the blade enclosure.



**Figure 2-5** Chassis Management Controller Board Front Panel Ports and Indicators

## System Power Status

The `cpower` command is the main interface for all power management commands. You can request power status and power-on or power-off the system with commands entered via the administrative controller server or rack leader controller in the system rack. The `cpower`

commands are communicating with BMCs using the IPMI protocol. Note that the term “IRU” represents a single blade enclosure within a blade enclosure pair.

The `cpower` command is the main interface for all power management commands. You can request power status and power-on or power-off the system with commands entered via the administrative controller server or rack leader controller in the system rack. The `cpower` commands are communicating with BMCs using the IPMI protocol. Note that the term “IRU” represents a single blade enclosure within a rack.

The system-level commands are applied first to service nodes, then to RLCs, then to blade enclosures and compute blades.

The `cpower` commands may require several seconds to several minutes to complete, depending on how many blade enclosures are being queried for status, powered-on, or turned off.

```
# cpower system status
```

This command gives the status of all compute nodes in the system.

To power on a specific blade enclosure, enter a command similar to the following:

```
# cpower iru on r1i0
```

In this example, the system should respond by powering on the IRU (blade enclosure) 0 nodes in rack 1. Note that this command does not power-on the system administration (server) controller, rack leader controller (RLC) server or other service nodes.

```
# cpower iru off r1i0
```

This command powers off all the nodes in IRU (blade enclosure) 0 in rack 1. Note that this command does not power-off the system administration node (server), rack leader controller server or other service nodes.

See “Console Management Power (cpower) Commands” on page 8 for additional information on power-on, power-off and power status commands. The *SGI Management Center Administration Guide for Clusters*, (P/N 007-6358-00x) has more extensive information on these topics.

## System Overview

This chapter provides an overview of the physical and architectural aspects of your SGI Integrated Compute Environment (ICE) X series system. The major components of the SGI ICE X systems are described and illustrated in the following sections:

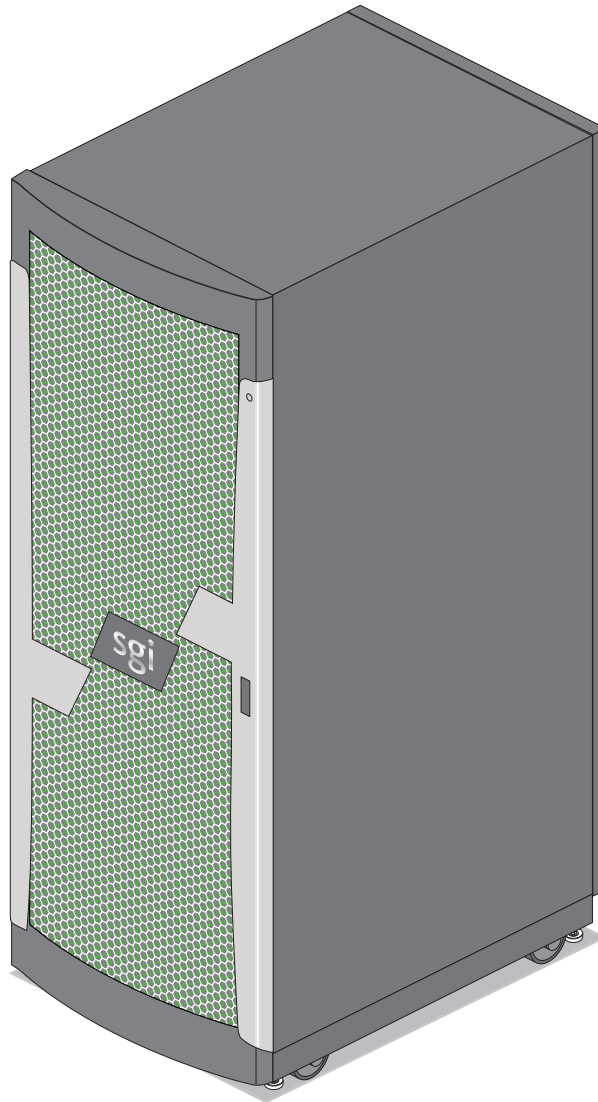
- “System Models” on page 26
- “SGI ICE X System and Blade Architectures” on page 29
- “System Features and Major Components” on page 38

Because the system is modular, it combines the advantages of lower entry-level cost with global scalability in processors, memory, InfiniBand connectivity and I/O. You can install and operate the SGI ICE X series system in your lab or server room. Each 42U SGI rack holds one or two 21U-high (blade enclosure pairs). An enclosure pair is a sheetmetal assembly that consists of two 18-blade enclosures (upper and lower). The enclosures used in D-rack configurations are separated by two “shelves.” In D-rack systems the shelves each hold three power supplies (shared by the blade enclosures). In M-rack systems 1U shelves are used only to hold the blade enclosure pairs and the power supplies are positioned on the sides of the blade enclosures. Each blade enclosure also has an internal InfiniBand communication backplane. The 18 compute blades supported in each enclosure can use one or two node boards, with ASICs, processors, memory components and I/O chip sets mounted on them. The blades slide directly in and out of the enclosures. Every compute node in a blade contains four or eight dual-inline memory module (DIMM) memory units per processor socket. Optional hard disk or solid-state (SSD) drives and MIC or GPU option boards are available. Each compute blade supports one or two individual node boards. Note that a maximum system size of 72 compute blades per rack is supported at the time this document was published. Optional chilled water cooling may be required for large processor-count rack systems. Contact your SGI sales or service representative for the most current information on these topics.

The SGI ICE X series systems can run parallel programs using a message passing tool like the Message Passing Interface (MPI). The SGI ICE X blade system uses a distributed memory scheme as opposed to a shared memory system like that used in the SGI UV series of high-performance compute servers. Instead of passing pointers into a shared virtual address space, parallel processes in an application pass messages and each process has its own dedicated processor and address space.

## System Models

Figure 3-1 shows an example configuration of an air-cooled single-rack SGI ICE X server.



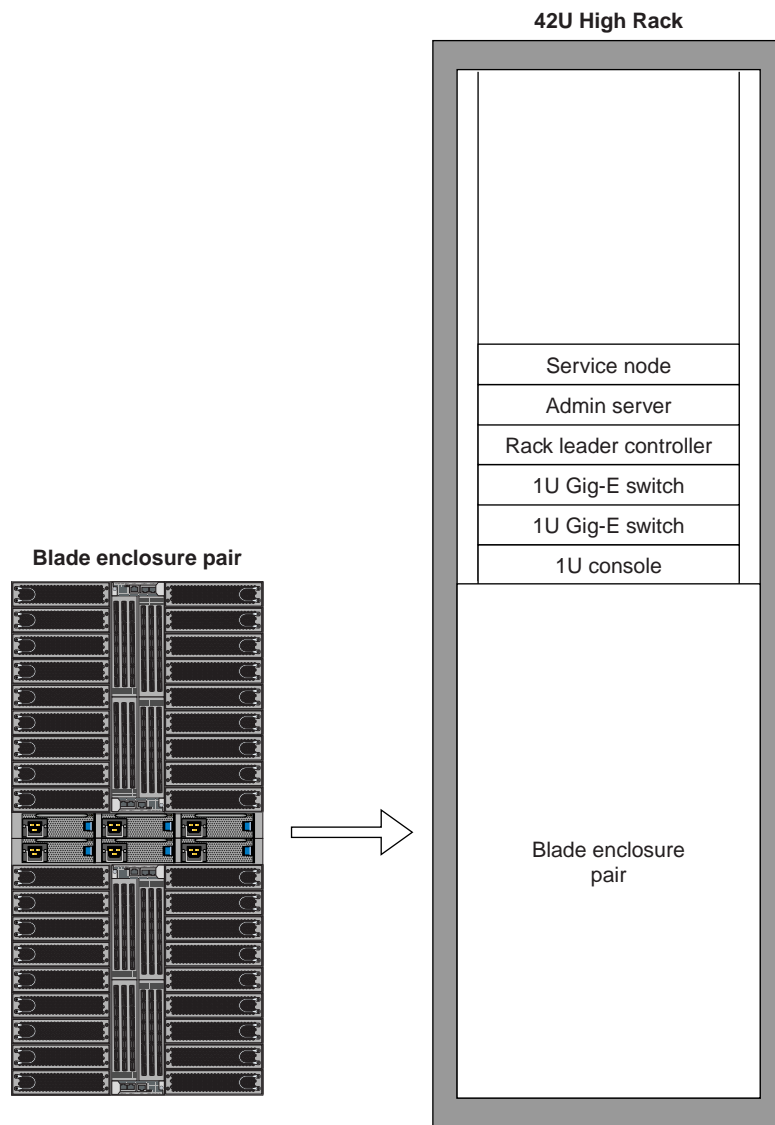
**Figure 3-1** SGI ICE X Series System (Single Rack - Air Cooled Example)

The 42U rack for this server houses all blade enclosures, option modules, and other components; up to 288 processors (4032 processor cores) in a single rack. The basic enclosure within the SGI ICE X system is the 21U-high (36.75 inch or 93.35 cm) blade enclosure pair. The enclosure pair supports a maximum of 36 compute blades, up to six power supplies, up to four chassis management controllers (CMCs) and two or four InfiniBand based I/O fabric switch interface blades. Note that two additional power supplies are used in an air-cooled enclosure pair and are installed at the rear of the unit and dedicated to running the unit's cooling fans (blowers).

Optional water chilled D-rack cooling is available. Note that systems with liquid-cooled blades reside in M-Cell racks and always require water cooling systems to operate. See the section Chapter 4, "Rack Information" for more information on water-cooled ICE X M-Cell systems.

The basic SGI ICE X system requires a minimum of one 42U tall rack with PDUs installed to support each blade enclosure pair and any support servers or storage units. Each rack supports two blade enclosure pairs.

Figure 3-2 shows a blade enclosure pair and rack. The optional three-phase 208V PDU has nine outlets and two PDUs are installed in each SGI ICE X compute rack. You can also add additional RAID and non-RAID disk storage to your rack system and this should be factored into the number of required outlets. An optional single-phase PDU has 8 outlets and can be used in an optional I/O support rack.



**Figure 3-2** D-rack Blade Enclosure and Rack Components Example



## SGI ICE X System and Blade Architectures

The SGI ICE X series of computer systems are based on an FDR InfiniBand I/O fabric. This concept is supported and enhanced by using the SGI ICE X blade-level technologies described in the following subsections.

Depending on the configuration you ordered and your high-performance compute needs, your system may be equipped with blades using a choice of one of three InfiniBand host-channel adapter (HCA) cards, see “IP113 Blade Architecture Overview” for an example. Note that some blade designs use only a specific host-channel adapter type.

### IP113 Blade Architecture Overview

An enhanced and updated multi-core version of the SGI ICE compute blade is used in the ICE X systems. The IP113 blade architecture is described in the following sections.

The compute blade contains the processors, memory, and one of the following fourteen-data rate (FDR) InfiniBand imbedded HCA selections:

- One single-port IB HCA
- One dual-port IB HCA
- Two HCAs each with a single-port IB connector

The node board in an IP113 blade is configured with two multi-core Intel processors - a maximum of 16 processor cores per compute blade were supported at the time this document was published. A maximum of 16 DDR3 memory DIMMs are supported per compute blade.

The two processors on the IP113 maintain an interactive communication link using the Intel QuickPath Interconnect (QPI) technology. This high-speed interconnect technology provides data transfers between the on-board processors. See the section “QuickPath Interconnect Features” on page 34 for an overview of the link functionality and bandwidth capability. Note that the IP113 blade can optionally support one or two native “on-board” hard disk or SSD drive options for local swap/scratch usage.

The IP113 compute blade cannot be plugged into and cannot be used in “previous generation” SGI Altix ICE 8200 or 8400 series blade enclosures. Multi-generational system interconnects can be made through the InfiniBand fabric level. Check with your SGI service or sales representative for additional information on these topics.

## IP115 Blade Architecture Overview

An enhanced and updated multi-core version of the SGI ICE compute blade is used in specific versions of the ICE X systems. The IP115 blade architecture is described in the following sections.

Two dual-socket node boards are installed in each blade. Each node board in the blade contains the processors, memory, and the following fourteen-data rate (FDR) InfiniBand imbedded HCA:

- Two HCAs each with a single-port IB connector

Each of the two node boards inside the compute blade is configured with two multi-core Intel processors - a maximum of 32 processor cores per compute blade at the time this document was published. Note that the two node boards within the blade are logically independent. Each processor assembly uses a liquid-cooled “cold-sink” to draw off heat from the CPU.

---

**Note:** In a blade enclosure-pair using IP115 nodes, all four switch blades must be present, as two switch blades are required for each enclosure. This configuration supports a single-plane topology in each of the blade enclosures.

---

A maximum of 16 DDR3 memory DIMMs are supported per compute blade (8 on each node board). The DIMM slots support up to 1600 MT/s DIMMs.

Each node board in the IP115 blade assembly supports one optional 2.5-inch hard disk drive or solid state drive (SSD).

The two processors on each node board in the IP115 blade maintain an interactive communication link using the Intel QuickPath Interconnect (QPI) technology. This high-speed interconnect technology provides data transfers between the on-board processors. See the section “QuickPath Interconnect Features” on page 34 for an overview of the link functionality and bandwidth capability.

The IP115 compute blade cannot be plugged into and cannot be used in “previous generation” SGI Altix ICE 8200 or 8400 series blade enclosures. Usage in third-party or non SGI ICE X racks may be restricted due to thermal requirements.

Multi-generational system interconnects can be made through the InfiniBand fabric level. Check with your SGI service or sales representative for additional information on these topics.

## IP119 Blade Architecture Overview

An enhanced and updated multi-core version of the SGI ICE compute blade is used in specific versions of the ICE X systems. The IP119 blade architecture is described in the following sections:

The compute blade contains the interleaved base and mezzanine node boards, processors, co-processors, memory, optional HDD or SSD and one of the following fourteen-data rate (FDR) InfiniBand embedded HCA selections:

- One single-port IB HCA
- One dual-port IB HCA
- Two HCAs each with a single-port IB connector

The dual-socket node inside the compute blade is made up of a base and mezzanine board and has the following features:

- Each of the two boards within the blade supports one Xeon E5-2600 processor assembly and one Intel Xeon Phi co-processor
- A PCIe link connects the base and mezzanine boards
- Processors and co-processors are cooled with liquid “Cold Sink” technology
- Four RDDR3 memory DIMM slots per board support up to 1600 MT/s DIMMs (eight memory DIMM slots total within the blade)
- One 2.5” HDD or 2.5” SSD per blade assembly
- Board management controller (BMC)

The IP119 compute blade cannot be plugged into and cannot be used in “previous generation” SGI Altix ICE 8200 or 8400 series blade enclosures. Usage in third-party or non SGI ICE X racks may be restricted due to thermal requirements.

Multi-generational system interconnects can be made through the InfiniBand fabric level. Check with your SGI service or sales representative for additional information on these topics.

See the section “QuickPath Interconnect Features” on page 34 for an overview of that link functionality and bandwidth capability.

## IP131 Blade Architecture Overview

An enhanced and updated version of the SGI ICE X compute blade is used in IP131-based ICE X systems. One dual-socket node is accommodated on each IP131 blade assembly. The IP131 blade architecture is described in the following paragraphs:

The compute blade contains the processors, memory, and one of the following fourteen-data rate (FDR) InfiniBand embedded HCA selections:

- One single-port IB HCA
- One dual-port IB HCA
- Two HCAs each with a single-port IB connector

The node board in an IP131 blade is configured with two Intel E5 2600 v3 processors.

Processor core counts will differ on individual blades based on processing requirements. Check with your SGI sales representative for processor core counts that meet your compute needs.

A maximum of 16 DDR4 memory DIMMs are supported per compute blade (8 DIMMs per socket).

The two processors on the IP131 maintain an interactive communication link using the Intel QuickPath Interconnect (QPI) technology. This high-speed interconnect technology provides data transfers between the on-board processors. See the section “QuickPath Interconnect Features” on page 34 for an overview of the link functionality and bandwidth capability. Note that the IP131 blade can optionally support one or two native “on-board” 2.5-inch SATA hard disk or SSD drive options for local swap/scratch usage.

The IP131 node board uses traditional air-cooled heat sinks and works in an air-cooled environment. The IP131 compute blade cannot be plugged into and cannot be used in “previous generation” SGI Altix ICE 8200 or 8400 series blade enclosures.

Multi-generational system interconnects can be made through the InfiniBand fabric level.

Note that usage in third-party or non SGI ICE X racks may be restricted due to thermal requirements.

Check with your SGI service or sales representative for additional information on these topics.

## IP133 Blade Architecture Overview

An enhanced and updated dual-node SGI ICE X (IP133) compute blade is used in specific versions of the ICE X systems. The IP133 blade architecture is described in the following sections.

Two dual-socket node boards are installed in each IP 133 blade. Each node board in the blade contains the processors, memory, and the following fourteen-data rate (FDR) InfiniBand embedded HCA:

- Two HCAs each with a single-port IB connector

Each of the two node boards inside the compute blade is configured with two Intel processors - a maximum of four processors per compute blade. Note that the two node boards within the blade are logically independent. Each processor assembly uses a liquid-cooled “cold-sink” to draw off heat from the CPU. Processor core counts will differ on individual blades based on processing requirements. Check with your SGI sales representative for processor core counts that meet your compute needs.

---

**Note:** In a blade enclosure-pair using IP133 nodes, all four switch blades must be present, as two switch blades are required for each enclosure. This configuration supports a single-plane topology in each of the blade enclosures.

---

A maximum of 16 DDR4 memory DIMMs are supported per compute blade (8 on each node board). The DIMM slots support up to 2133 MT/s DIMMs.

Each node board in the IP133 blade assembly supports one optional 2.5-inch hard disk drive or one optional solid state drive (SSD).

The two processors on each node board in the IP133 blade maintain an interactive communication link using the Intel QuickPath Interconnect (QPI) technology. This high-speed interconnect technology provides data transfers between the on-board processors. See the section “QuickPath Interconnect Features” on page 34 for an overview of link functionality and bandwidth capability.

The IP133 compute blade assembly cannot be plugged into and cannot be used in “previous generation” SGI Altix ICE 8200 or 8400 series blade enclosures. The IP133 is a custom liquid-cooled blade and usage in third-party or non SGI ICE X racks is unsupported at the time this document was published. Multi-generational system interconnects can be made through the InfiniBand fabric level. Check with your SGI service or sales representative for additional information on these topics.

## QuickPath Interconnect Features

Each processor socket on an ICE X system node board is interconnected using two QuickPath Interconnect (QPI) links. Each QPI link consists of two point-to-point 20-bit channels - one send channel and one receive channel. Each QPI channel is capable of sending and receiving at the same time – on the same 20 bit channel. The QPI link has a theoretical maximum aggregate bandwidth of 25.6 GB/s using a 3.2 GHz clock rate and 38.4 GB/s using a 4.8 GHz clock rate. Each blade's I/O chip set supports two processors.

### IP113, IP115 and IP119 QPI Bandwidth

The maximum bandwidth of a single QPI link used in the IP113, IP115 or IP119 node board is calculated as follows:

- The QPI channel uses a 3.2 GHz clock, but the effective clock rate is 6.4 GHz because two bits are transmitted at each clock period - once on the rising edge of the clock and once on the falling edge (DDR).
- Of the 20 bits in the channel, 16 bits are data and 4 bits are error correction.
- 6.4 GHz times 16 bits equals 102.4 Gbits per second.
- Convert to bytes: 102.4 divided by 8 equals 12.8 GB/s (max single direction bandwidth)
- The total aggregate bandwidth of the QPI channel is 25.6 GB/s: (12.8 GB/s x 2 channels)

### IP131 and IP133 QPI Bandwidth

The maximum bandwidth of a single QPI link used in the IP131 or IP133 node board is calculated as follows:

- The QPI channel uses a 4.8 GHz clock, but the effective clock rate is 9.6 GHz because two bits are transmitted at each clock period - once on the rising edge of the clock and once on the falling edge (DDR).
- Of the 20 bits in the channel, 16 bits are data and 4 bits are error correction.
- 9.6 GHz times 16 bits equals 153.6 Gbits per second.
- Convert to bytes: 153.6 divided by 8 equals 19.2 GB/s (max single direction bandwidth)
- The total aggregate bandwidth of the QPI channel is 38.4 GB/s: (19.2 GB/s x 2 channels)

## Blade Memory Features

The memory control circuitry is integrated into the processors and provides greater memory bandwidth and capacity than previous generations of ICE compute blades. Note that the IP131 and IP133 blades use DDR4 DIMMs, while IP113, IP115 and IP119 use DDR3 DIMM technology.

### Blade DIMM Memory Features

Note that each Intel processor on an ICE X IP113, IP115 or IP119 node board uses four DDR3 memory channels with one or more memory DIMMs on each channel (depending on the configuration selected). Each of these blades can support up to 16 DIMMs. The DDR3 memory channel supports a maximum memory bandwidth of up to 12.8 GBs per second. The combined maximum bandwidth for all DDR3 memory channels on a single processor is 51.2 GBs per second.

The IP131 compute blade supports a maximum of sixteen DDR4 RDIMMs. Memory increments are in groups of 4 DIMMs. A maximum of sixteen DDR4 memory DIMMs are supported on each IP131 blade. The IP133 compute blade uses two separate and independent node boards and each node supports a maximum of eight DDR4 memory DIMMs.

Each E5 2600 v3 processor used on IP131 and IP133 blades has four DDR4 memory channels for a total of eight DIMMs per processor socket. Each memory channel supports a maximum of two memory DIMMs for a total of eight DIMMs per processor. The peak transfer rates for one DDR4 channel is 17.06 GB/s (2133 x 8). The combined peak total of all four channels on a single processor is 68.25 GB/s (17.06 x 4).

### Memory Channel Recommendation

It is highly recommended (though not required) that each processor on a system node board be configured with a minimum of one DIMM for each memory channel on a processor. This will help to ensure the best DIMM data throughput.

### Blade DIMM Bandwidth Factors

The memory bandwidth on node boards within SGI ICE X blades is generally determined by the following key factors:

- The processor speed - different processor SKUs support different DIMM speeds.
- The processor's support for DDR3 or DDR4 DIMM technology.

- The number of DIMMs per channel.
- The DIMM speed - the DIMM itself has a maximum operating frequency or speed, such as 2133 MT/s or 1600 MT/s.

---

**Note:** A DIMM must be rated for the maximum speed to be able to run at the maximum speed. For example: a single 1600 MT/s DIMM on a channel will only operate at speeds up to 1600 MT/s - not 2133 MT/s.

---

Populating one 1600 MT/s DIMM on each channel of an ICE X system blade node board delivers a maximum of 12.8 GB/s per channel or 51.2 GB/s total memory bandwidth.

A minimum of one dual-inline-memory module (DIMM) is required for each processor on a node board; four DIMMs per processor are recommended. Each of the DIMMs on a blade's node board must be the same capacity and functional speed. When possible, it is generally recommended that all blade node boards within an enclosure use the same number and capacity (size) DIMMs.

Each blade in the enclosure pair may have a different total DIMM capacity. For example, one blade may have 16 DIMMs, and another may have only eight. Note that while this difference in capacity is acceptable functionally, it may have an impact on compute "load balancing" within the system.

## System InfiniBand Switch Blades

Two or four fourteen-data-rate (FDR) InfiniBand switch blades can be used with each blade enclosure pair configured in the SGI ICE X system. Single-node blade enclosure pairs use two switch blades for single-plane InfiniBand topologies. Enclosure pairs with four switch blades (using single-node blades) use a dual-plane topology that provides high-bandwidth communication between compute blades inside the enclosure as well as blades in other enclosures.

Enclosure pairs using dual-node compute blades (such as the IP115 or IP133) must use four switch blades to support a single-plane InfiniBand topology.

## Enclosure Switch Density Choices

Each SGI ICE X system comes with a choice of two switch blade configurations.

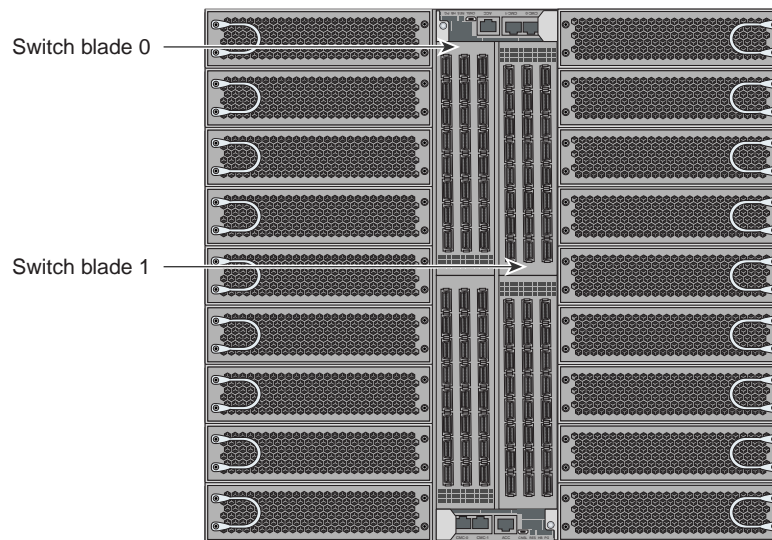
- Single 36-port FDR IB ASIC (standard) with 18 external ports per switch
- Dual 36-port FDR IB ASIC (premium) with a total of 48 external ports per switch



The single-switch ASIC and dual-switch ASIC switch blades for each enclosure pair are **not** interchangeable without re-configuration of the system. The outward appearance of the two types is very similar, but differs in regards to the number and location of QSFP ports.

Enclosures using one or two FDR switch blades are available in certain specific configurations. A single-switch blade within a blade enclosure supports a single-plane FDR InfiniBand topology only when configured with a single-node blade such as the IP113 or IP131. A blade-enclosure pair using dual-node blades must use four switch blades to support a single-plane topology. Check with your SGI sales or service representative for additional information on availability.

The SGI ICE X FDR switch blade locations example is shown in Figure 3-3 on page 37. Any external switch blade ports not used to support the IB system fabric may be connected to optional service nodes or InfiniBand mass storage. Check with your SGI sales or service representative for information on available options.



**Figure 3-3** InfiniBand 48-port (Premium) FDR Switch Numbering in Blade Enclosures

## System Features and Major Components

The main features of the SGI ICE X series server systems are introduced in the following sections:

- “Modularity and Scalability” on page 38
- “Reliability, Availability, and Serviceability (RAS)” on page 45

### Modularity and Scalability

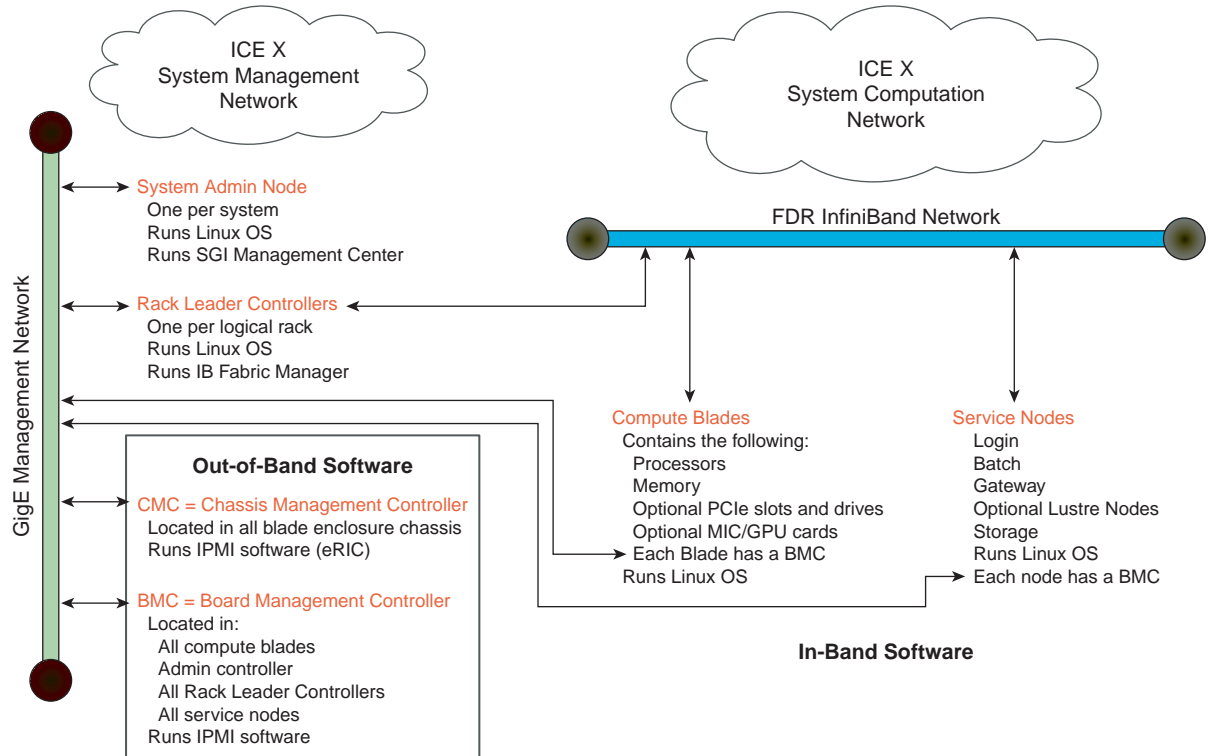
The SGI ICE X series systems are modular, blade-based, scalable, high-density cluster systems. The system rack components are primarily housed in building blocks referred to as blade enclosure pairs. Each enclosure pair consists of a sheet-metal housing with internal IB backplanes and six (shared) power supplies that serve two “blade enclosures”.

However, other “free-standing” SGI compute servers are used to administer, access and service the SGI ICE X series systems. Additional optional mass storage may be added to the system along with additional blade enclosures. You can add different types of stand-alone module options to a system rack to achieve the desired system configuration. You can configure and scale blade enclosures around processing capability, memory size or InfiniBand fabric I/O capability. The air-cooled blade enclosure has redundant, hot-swap fans and redundant, hot-swap power supplies. A water-chilled rack option expands an ICE X rack’s heat dissipation capability for the blade enclosure components without requiring lower ambient temperatures in the lab or server room. See Figure 4-3 on page 59 for an example water-chilled D-rack.

A number of free-standing (non-blade) compute and I/O servers (also referred to as nodes) are used with SGI ICE X series systems in addition to the standard two-socket blade-based compute nodes. These free-standing units are:

- System administration controller
- System rack leader controller (RLC) server
- Service nodes with the following functions:
  - Fabric management service node
  - Login node
  - Batch node
  - I/O gateway node
  - MDS or OSS nodes (used in optional Lustre configurations)

Each SGI ICE X system will have one system administration controller, at least one rack leader controller (RLC) and at least one service node. All ICE X systems require one RLC for every eight CMCs in the system. Figure 3-4 shows an overview of the SGI ICE X system management and component network interaction.



**Figure 3-4** SGI ICE X System and Network Components Overview

The administration server and the RLCs are integrated stand-alone 1U servers. The service nodes are integrated stand-alone non-blade 1U or 2U servers. The following subsections further define the free-standing server unit functions described in the previous list.

### System Administration Server

There is a minimum of one stand-alone administration controller server and I/O unit per system. The system administration controller is a non-blade SGI 1U server system (node). Note that a high-availability administration server configuration is available that doubles the number of

administrative servers used in a system. In high-availability (HA) administration server configurations, two servers are paired together. The primary admin server is backed up by an identical “backup” admin server. The second (backup) server runs the same system management image as the primary server.

The server is used to install SGI ICE X system software, administer that software and monitor information from all the compute blades in the system. Check with your SGI sales or service representative for information on “cold spare” options that provide a standby administration server on site for use in case of failure.

The administration server on ICE X systems is connected to the external network. All ICE X systems are configured with dedicated “login” servers for multiple access accounts. You can configure multiple “service nodes” and have all but one devoted to interactive logins as “login nodes”, see the “Login Server Function” on page 42 and the “I/O Gateway Node” on page 43.

#### **Rack Leader Controller**

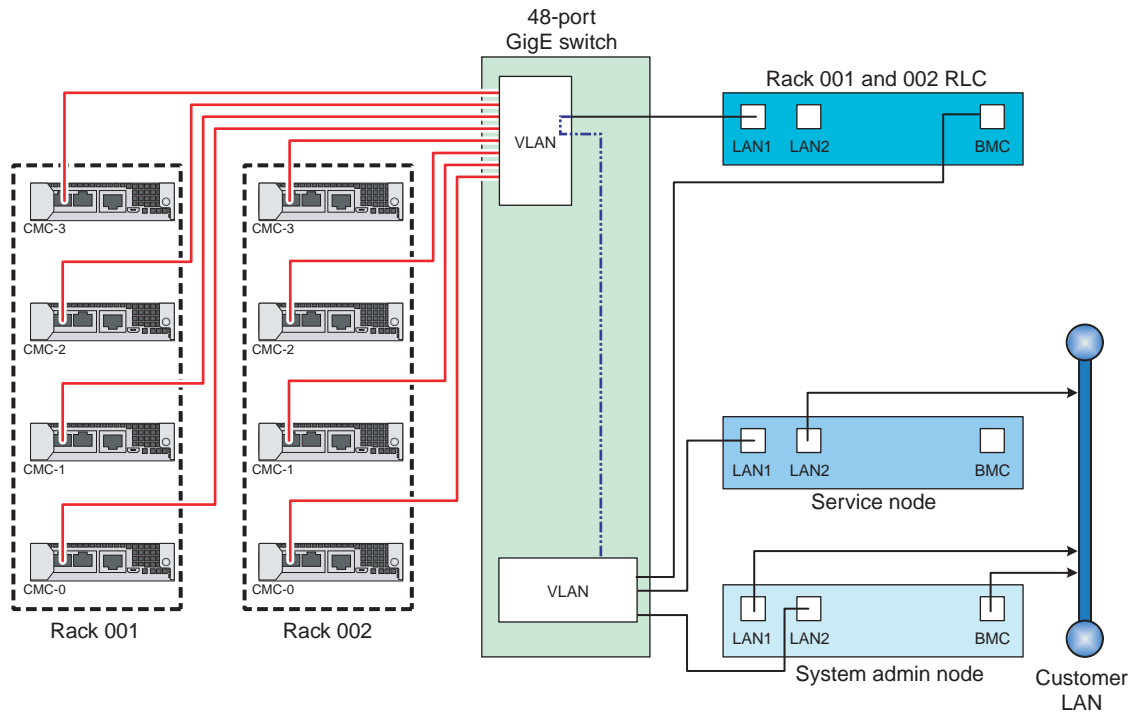
A rack leader controller (RLC) server is generally used by administrators to provision and manage the system using SGI’s cluster management (CM) software. One rack leader controller is required for every eight CMC boards used in a system and it is a non-blade “stand-alone” 1U server. The rack leader controllers are guided and monitored by the system administration server. Each RLC in turn monitors, pulls and stores data from all the blade enclosures within the logical rack that it monitors. The rack leader then consolidates and forwards data requests received from the blade enclosures to the administration server. A rack leader controller also supplies boot and root file sharing images to the compute nodes in the enclosures.

Note that a high-availability RLC configuration is available that doubles the number of RLCs used in a system. In high-availability (HA) RLC configurations, two RLCs are paired together. The primary RLC is backed up by an identical “backup” RLC server. The second (backup) RLC runs the same fabric management image as the primary RLC. Check with your SGI sales or support representative for configurations that use a “spare” RLC or administration server. This option can provide rapid “fail-over” replacement for a failed RLC or administrative unit.

#### **Multiple Chassis Manager Connections**

In multiple-rack configurations the chassis managers (up to eight CMCs) may be interconnected to the rack leader controller (RLC) server via one or two Ethernet switches. Figure 3-5 shows an example diagram of the CMC interconnects between two ICE X system racks using a virtual local area network (VLAN). This example is not applicable to M-Cell closed-loop systems. For more information on these and other topics related to the CMC, see the *SGI Management Center*

*Administration Guide for Clusters, (P/N 007-6358-00x).* Note also that the scale of the CMC drawings in Figure 3-5 is adjusted to clarify the interconnect locations.



**Figure 3-5** D-Rack Administration and RLC Cabling to CMCs Example

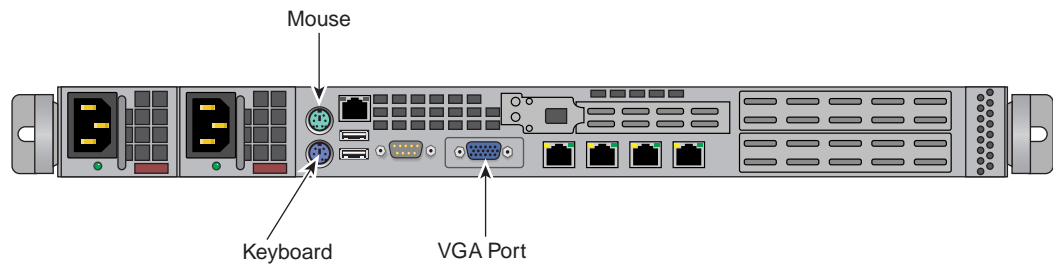
### The RLC as Fabric Manager

In some SGI ICE X configurations the fabric management function is handled by the rack leader controller (RLC) node. The RLC is an independent server that is not part of the blade enclosure pair.

See the “Rack Leader Controller” on page 40 subsection for more detail. The fabric management software runs on one or two RLC nodes and monitors the function of and any changes in the InfiniBand fabrics of the system. It is also possible to host the fabric management function on a dedicated service node, thereby moving the fabric management function from the rack leader node and hosting it on an additional server(s). A separate fabric management server would supply fabric status information to the system’s administration server periodically or upon request.

## Service Nodes

The functionality of the service “nodes” listed in this subsection are all services that can technically be shared on a single hardware server unit. System scale, configuration and number of users generally determines when you add more servers (nodes) and dedicate them to these service functions. However, you can also have a smaller system where several of the services are combined on just a single service node. Figure 3-6 shows an example rear view of a 1U service node. Note that dedicated fabric management nodes are recommended on 8-rack or larger systems.

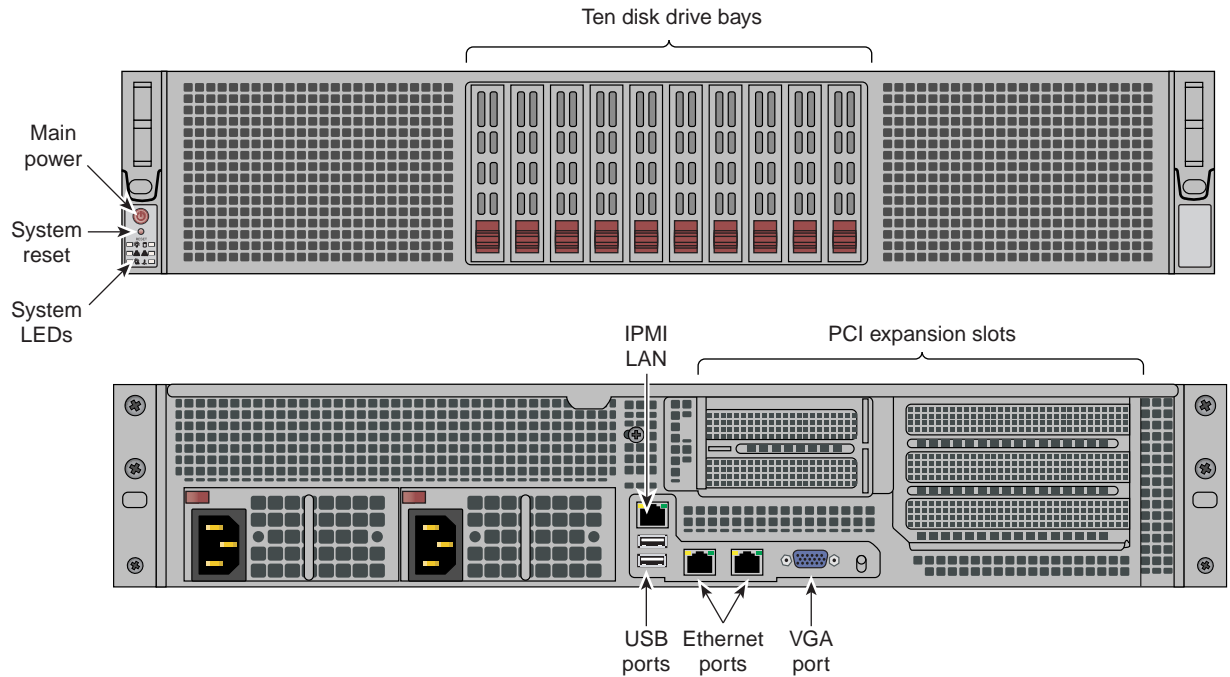


**Figure 3-6** Example Rear View of a 1U Service Node

## Login Server Function

The login server function within the ICE system can be functionally combined with the I/O gateway server node function in some configurations. One or more per system are supported. Very large systems with high levels of user logins may use multiple dedicated login server nodes. The login node functionality is generally used to create and compile programs, and additional login server nodes can be added as the total number of user logins increase. The login server is usually the point of submittal for all message passing interface (MPI) applications run in the system. An MPI job is started from the login node and the sub-processes are distributed to the ICE system’s compute nodes. Another operating factor for a login server is the file system structure. If the node is NFS-mounting a network storage system outside the ICE system, input data and output results will need to pass through for each job. Multiple login servers can distribute this load.

Figure 3-7 shows the front and rear connectors and interface slots on a 2U service node.



**Figure 3-7** 2U Service Node Front and Rear Panel Example

### Batch Server Node

The batch server function may be combined with login or other service nodes for many configurations. Additional batch nodes can be added as the total number of user logins increase. Users login to a batch server in order to run batch scheduler portable-batch system/load-sharing facility (PBS/LSF) programs. Users login or connect to this node to submit these jobs to the system compute nodes.

### I/O Gateway Node

The I/O gateway server function may be combined with login or other service nodes for many configurations. If required, the I/O gateway server function can be hosted on an optional 1U or 2U stand-alone server within the ICE X system.

One or more I/O gateway nodes are supported per system, based on system size and functional requirement. The node may be separated from login and/or batch nodes to scale to large

configurations. Users login or connect to submit jobs to the compute nodes. The node also acts as a gateway from InfiniBand to various types of storage, such as direct-attach, Fibre Channel, or NFS.

## Optional Lustre Nodes Overview

The nodes in the following subsections are used when the SGI ICE X system is set up as a Lustre file system configuration. In SGI ICE X installations the MDS and OSS functions are generally on separate nodes within the ICE X system and communicating over a network.

Lustre clients access and use the data stored in the OSS node's object storage targets (OSTs). Clients may be compute nodes within the SGI ICE X system or Login, Batch or other service nodes. Lustre presents all clients with a unified namespace for all of the files and data in the filesystem, using standard portable operating system interface (POSIX) semantics. This allows concurrent and coherent read and write access to the files in the OST filesystems. The Lustre MDS server (see "MDS Node") and OSS server (see "OSS Node"), will read, write and modify data in the format imposed by these file systems. When a client accesses a file, it completes a filename lookup on the MDS node. As a result, a file is created on behalf of the client or the layout of an existing file is returned to the client. For read or write operations, the client then interprets the layout in the logical object volume (LOV) layer, which maps the offset and size to one or more objects, each residing on a separate OST within the OSS node.

### MDS Node

The metadata server (MDS node) uses a single metadata target (MDT) per Lustre filesystem. Two MDS nodes can be configured as an active-passive failover pair to provide redundancy. The metadata target stores namespace metadata, such as filenames, directories, access permissions and file layout. The MDT data is usually stored in a single localized disk filesystem. The storage used for the MDT (a function of the MDS node) and OST (located on the OSS node) backing filesystems is partitioned and optionally organized with logical volume management (LVM) and/or RAID. It is normally formatted as a fourth extended filesystem, (a journaling file system for Linux). When a client opens a file, the file-open operation transfers a set of object pointers and their layout from the MDS node to the client. This enables the client to directly interact with the OSS node where the object is stored. The client can then perform I/O on the file without further communication with the MDS node.



## OSS Node

The object storage server (OSS node) is one of the elements of a Lustre File Storage system. The OSS is managed by the SGI ICE X management network. The OSS stores file data on one or more object storage targets (OSTs). Depending on the server's hardware, an OSS node typically serves between two and eight OSTs, with each OST managing a single local disk filesystem.

An OST is a dedicated filesystem that exports an interface to byte ranges of objects for read/write operations. The capacity of each OST on the OSS node can range from a maximum of 24 to 128 TB depending on the SGI ICE X operating system and the Lustre release level. The data storage capacity of a Lustre file system is the available storage total of the capacities provided by the OSTs.

## Reliability, Availability, and Serviceability (RAS)

The SGI ICE X server series components have the following features to increase the reliability, availability, and serviceability (RAS) of the systems.

- **Power and cooling:**
  - Power supplies within the blade enclosure pair chassis are redundant and can be hot-swapped under most circumstances.
  - A rack-level water chilled cooling option is available for all D-rack configurations.
  - Blade enclosures have overcurrent protection at the blade and power supply level.
  - Fans (blowers) are redundant in D-rack configurations and can be hot-swapped.
  - Fans can run at multiple speeds. Speed increases automatically when temperature increases or when a single fan fails.
- **System monitoring:**
  - Chassis managers monitor blade enclosure internal voltage, power and temperature.
  - Redundant system management networking is available.
  - Each blade/node installed has status LEDs that can indicate a malfunctioning or failed part; LEDs are readable at the front of the system.
  - Systems support remote console and maintenance activities.

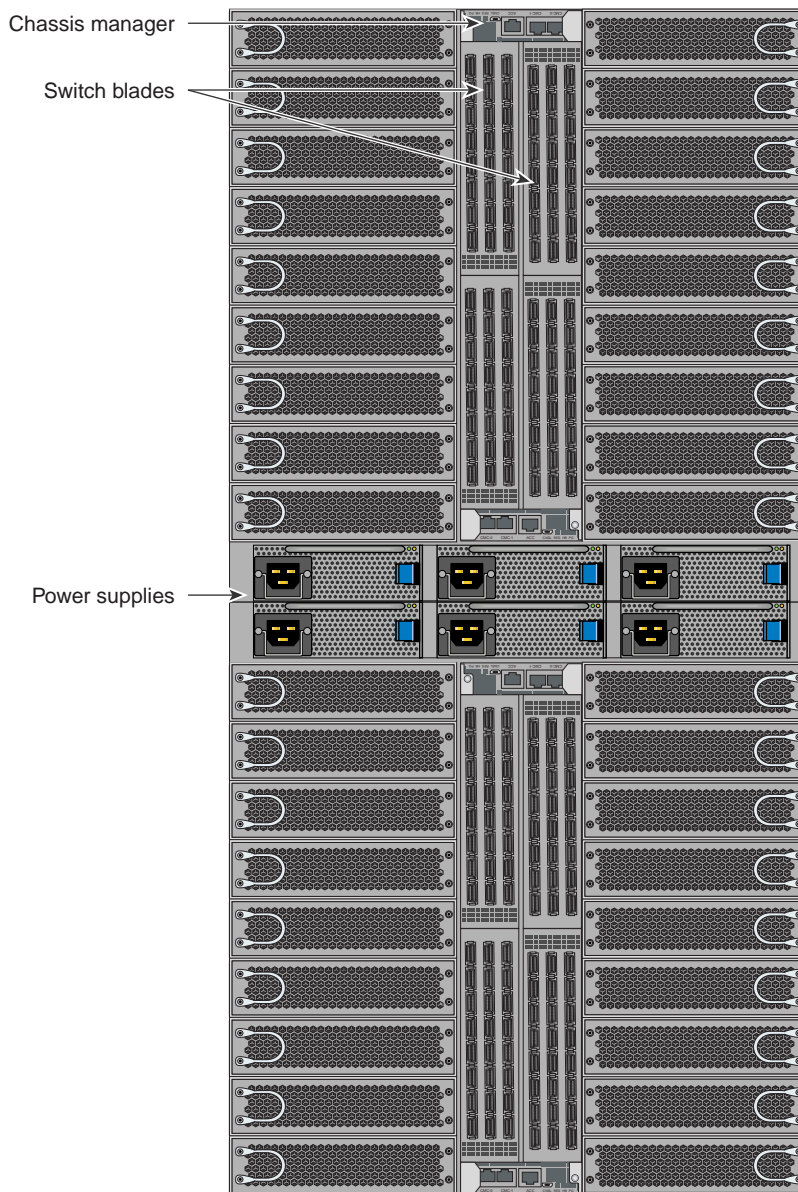
- **Error detection and correction**
  - External memory transfers are protected by cyclic redundancy check (CRC) error detection. If a memory packet does not checksum, it is retransmitted.
  - Nodes within each blade enclosure exceed SECDED standards by detecting and correcting 4-bit and 8-bit DRAM failures.
  - Detection of all double-component 4-bit DRAM failures occur within a pair of DIMMs.
  - 32-bits of error checking code (ECC) are used on each 256 bits of data.
  - Automatic retry of uncorrected errors occurs to eliminate potential soft errors.
- **Power-on and boot:**
  - Automatic testing (POST) occurs after you power on the system nodes.
  - Processors and memory are automatically de-allocated when a self-test failure occurs.
  - Boot times are minimized.

## System Components

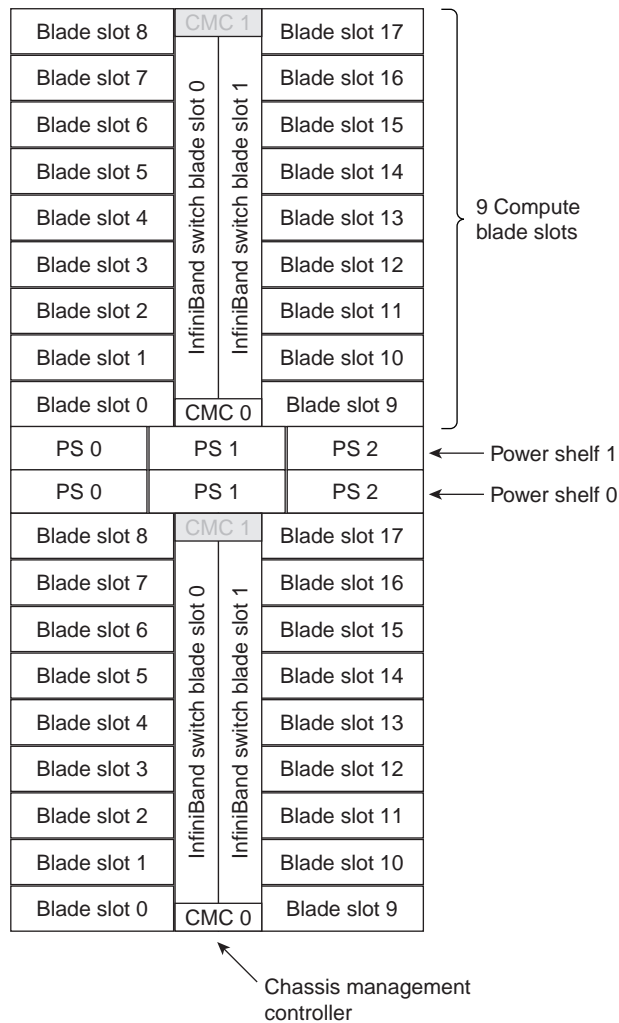
The SGI ICE X series system features the following major components:

- **42U D-rack.** This is a custom rack used for both the compute and I/O rack in the SGI ICE X series. Up to two blade enclosure pairs can be installed in each rack. Note that multi-rack systems will often have a dedicated I/O rack holding GigE switches, RLCs, Admin servers and additional service nodes. Water-cooled D-racks are optionally available.
- **42U M-rack.** These multi-cell (M-Cell) rack assemblies use a dedicated cooling rack for each two compute racks used. Water cooling of the individual nodes is accomplished by a separate dedicated cooling-distribution rack (CDU). See “SGI ICE X M-Cell Rack Assemblies” in Chapter 4 for additional information.
- **Blade enclosure pair.** This sheetmetal enclosure contains the two enclosures holding up to 36 compute blades, up to four chassis manager boards, up to four InfiniBand fabric I/O blades and front-access power supplies for the SGI ICE X series computers. The enclosure pair is 21U high. Figure 3-8 on page 48 shows the D-Rack version of the SGI ICE X series blade enclosure pair system front components. The blade enclosure pair used in M-Cell configurations employs side-mounted power supplies, see Figure 3-10 on page 50.
- **Fan (blower) enclosure (D-rack systems).** This sheetmetal enclosure is installed back-to-back with each blade enclosure pair in a D-rack system. The fan enclosure consists of two 6-blower enclosures and two dedicated power supplies. Figure 7-3 on page 99 shows an example of the fan enclosure.
- **Single-wide compute blade.** Holds one or two node boards and up to 16 memory DIMMs. See Figure 3-9 on page 49 for an example of blade number assignments.
- **1U RLC (rack leader controller).** One 1U rack leader server is required for each eight CMCs in a system. High-availability configurations using redundant RLCs are supported.
- **1U Administrative server.** This server node supports an optional console and administrative software.
- **1U Service node.** Additional 1U server(s) can be added to a system rack and used specifically as an optional login, batch, MDS, OSS or other service node. Note that these service functions cannot be incorporated as part of the system RLC or administration server.
- **2U Service node.** An optional 2U service node may be used as a login, batch, MDS, OSS or fabric node. In smaller systems, multiple functions may be combined on one server.

PCIe options available may vary, check with your SGI sales or support representative.

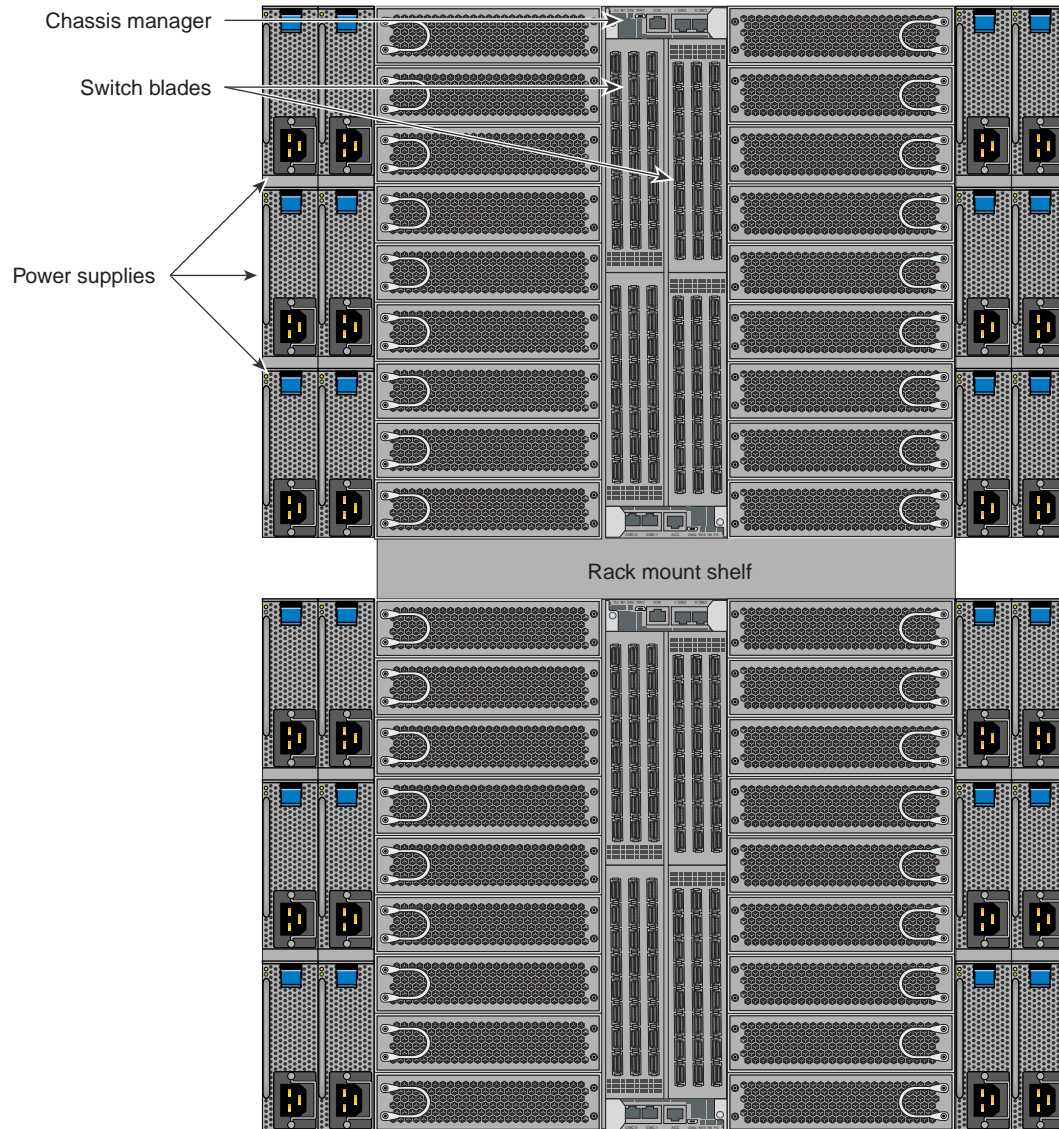


**Figure 3-8** SGI ICE X Series D-Rack Blade Enclosure Pair Components Example



**Figure 3-9** Single-node D-Rack Blade Enclosure Pair Component Front Diagram

**Note:** IRU enclosures using single-node blades use one CMC, enclosures using dual-node blades must use two CMC boards.



**Figure 3-10** M-Rack Blade Enclosure Pair Components Example

## D-Rack Unit Numbering

Blade enclosures in the D-racks are not identified using standard units. A standard unit (SU) or unit (U) is equal to 1.75 inches (4.445 cm). Enclosures within a rack are identified by the use of module IDs 0, 1, 2, and 3, with enclosure 0 residing at the bottom of each rack. These module IDs are incorporated into the host names of the CMC (i0c, i1c, etc.) and the compute blades (r1i0n0, r1i1n0, etc.) in the rack.

## Rack Numbering

Each rack in a multi-rack system is numbered with a single-digit number sequentially beginning with (001). A rack contains blade enclosures, administrative and rack leader server nodes, service specific nodes, optional mass storage enclosures and potentially other options.

---

**Note:** In a single compute rack system (D-rack), the rack number is always (001).

---

The number of the first blade enclosure will always be zero (0). These numbers are used to identify components starting with the rack, including the individual blade enclosures and their internal compute-node blades. Note that these single-digit ID numbers are incorporated into the host names of the rack leader controller (RLC) as well as the compute blades that reside in that rack.

## Optional System Components

Availability of optional components for the SGI ICE X series of systems may vary based on new product introductions or end-of-life components. Some options are listed in this manual, others may be introduced after this document goes to production status. Check with your SGI sales or support representative for the most current information on available product options not discussed in this manual.

## Optional SGI Remote Services (SGI RS)

The optional SGI RS system automatically detects system conditions that indicate potential future problems and then notifies the appropriate personnel. This enables you and SGI global support teams to pro-actively support systems and resolve issues before they develop into actual failures.

SGI Remote Services provides a secure connection to SGI Customer Support - on demand. This can ensure business continuance with SGI systems management and optimization.

### **SGI Remote Services Primary Capabilities**

- 24x7 remote monitoring and data gathering of SGI customer systems
- Alerts and notification on changes, failures and potential failures
- Log files immediately available
- Configuration fingerprint
- Secure file transfer
- Optional secure remote access to customer systems

### **SGI Remote Services Benefits**

- Improved uptime and system availability
- Proactive identification of issues before they create an outage
- Increase system stability by monitoring hardware and software version compatibility
- Reduced time to resolve support cases
- Greater operational efficiency
- Less involvement of customer staff during troubleshooting
- Faster support case resolution
- Improved productivity

Proactive potential problem identification can result in higher system availability.

Automated Alerts and, in some instances, Case Opening results in faster problem resolution time and less direct involvement required by Customer Support Teams. SGI Remote Services is available for all currently shipping SGI ICE, UV and Rackable systems and also other specific SGI systems. Check with your SGI sales or service representative for more details.

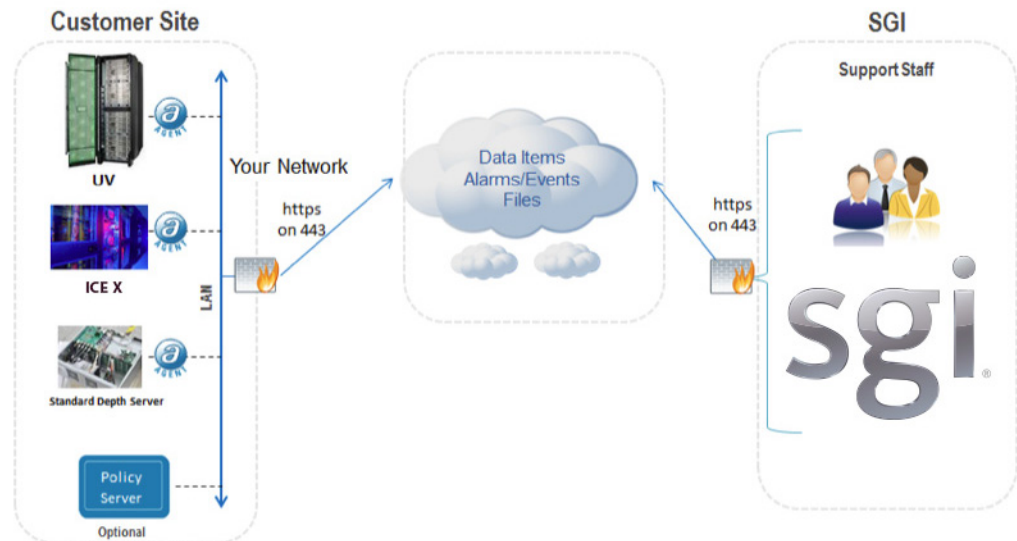


## SGI Remote Service Operations Overview

An SGI Support Services Software Agent runs on each SGI system at your location, enabling remote system monitoring and secure communication to SGI Support staff. Your basic hardware and software configuration as well as system health information is captured and stored in the Cloud. Figure 3-11 shows an example visual overview of the monitoring and response process.

Cloud intelligence automatically reviews select Event Logs around the clock (every five minutes) to identify potential failure information. If the Cloud intelligence detects a critical Event, it notifies SGI support personnel.

This monitoring requires no changes to customer systems or firewalls as long as the SGI Agent can send HTTPS messages to highly secure Cloud and Global Access Servers. It will also have no impact on customer network or system performance. All communication between SGI global support and customer systems is kept secure using Secure Socket Layer (SSL) encryption. All communication with SGI is initiated from the customer site using HTTPS protocol on port 443.



**Figure 3-11** SGI Remote Services Process Overview

## **SGI Warranty Levels**

SGI Electronic Support services are available to customers who have a valid SGI Warranty or optional support contract. Additional electronic services may become available after publication of this document. To purchase a support contract that allows you to use all available SGI Electronic Support services, contact your SGI sales representative. For more information about the various support contracts, see the following Web pages:

<http://www.sgi.com/support>

<http://www.sgi.com/services/support>

## Rack Information

This chapter describes the physical characteristics of the tall (42U) ICE X racks in the following sections:

- “Overview” on page 55
- “SGI ICE X Series D-Rack (42U)” on page 56
- “ICE X D-Rack Technical Specifications” on page 61
- “SGI ICE X M-Cell Rack Assemblies” on page 62
- “M-Cell Functional Overview” on page 63

### Overview

At the time this document was published only specific SGI ICE X racks were approved for ICE X systems shipped from the SGI factory. See Figure 4-1 on page 57 and Figure 4-5 on page 62 for examples. Contact your SGI sales or support representative for more information on configuring SGI ICE X systems in non-ICE X factory rack enclosures.

## SGI ICE X Series D-Rack (42U)

The SGI tall D-Rack (shown in Figure 4-1 on page 57) has the following features and components:

- **Front and rear door.** The front door is opened by grasping the outer end of the rectangular-shaped door piece and pulling outward. It uses a key lock for security purposes that should open all the front doors in a multi-rack system (see Figure 4-2 on page 58). A front door is required on every rack.

---

**Note:** The front door and rear door locks are keyed differently. The optional water-chilled rear doors (see Figure 4-3 on page 59) do not use a lock.

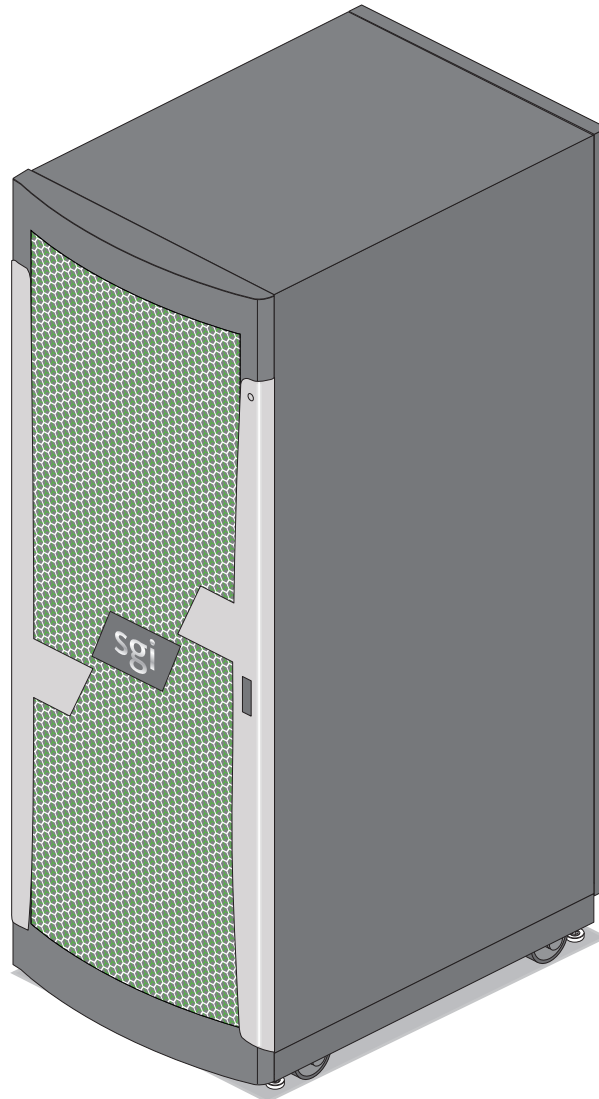
---

Up to four optional 10.5 U-high (18.25-inch) water-cooled doors can be installed on the rear of the SGI ICE X D-Rack.

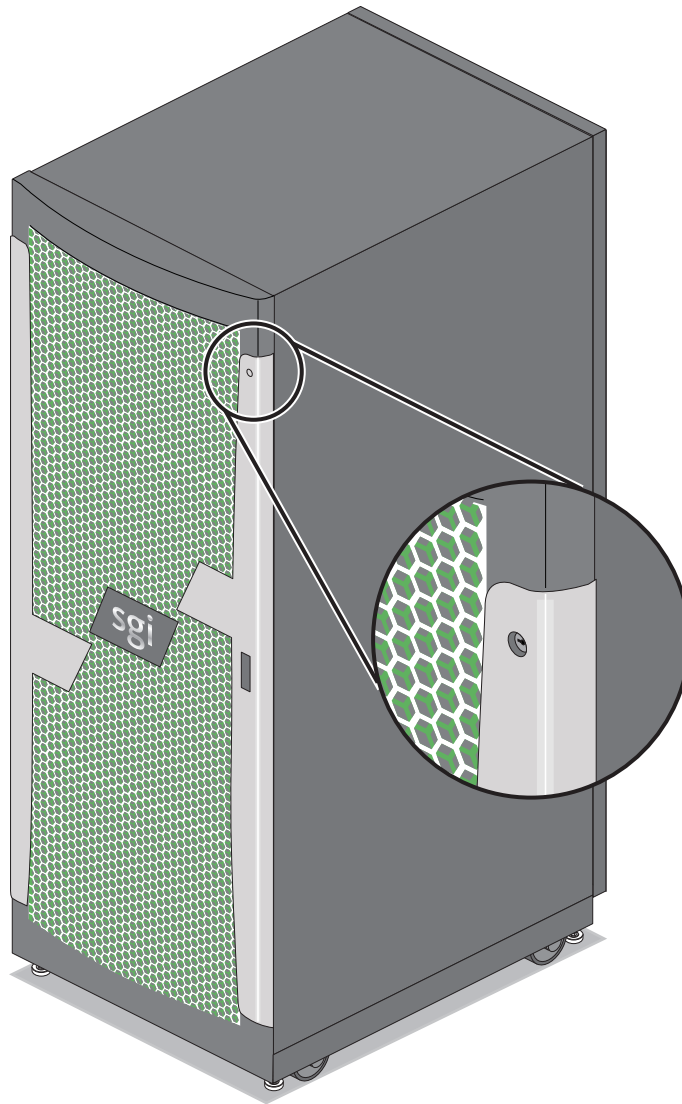
Each air-cooled rack has a key lock to prevent unauthorized access to the system via the rear door, see Figure 4-4 on page 60. In a system made up of multiple air-cooled racks, rear doors have a master key that locks and unlocks all rear doors in a system. You cannot use the rear door key to secure the front door lock.

- **Cable entry/exit area.** Cable access openings are located in the front floor and top of the rack. Cables are only attached to the front of the IRUs; therefore, most cable management occurs in the front and top of the rack. Stand-alone administrative, leader and login server modules are the exception to this rule and have cables that attach at the rear of the rack. Rear cable connections will also be required for optional storage modules installed in the same rack with the enclosure(s). Optional inter-rack communication cables pass through the top of the rack. I/O and power cables normally pass through the bottom of the rack.
- **Rack structural features.** The rack is mounted on four casters; the two rear casters swivel. There are four leveling pads available at the base of the rack. The base of the rack also has attachment points to support an optional ground strap, and/or seismic tie-downs.
- **Power distribution units in the rack.** Up to sixteen may be required for a single enclosure pair system as follows:
  - up to 8 outlets for an enclosure pair (including GigE switch configuration)
  - two outlets for the rear fan (blower) enclosure power supplies
  - 4 outlets for administration and RLC servers (in primary rack)
  - 2 outlets for a service node (server)
  - Allow eight or more outlets for an additional enclosure pair in the system

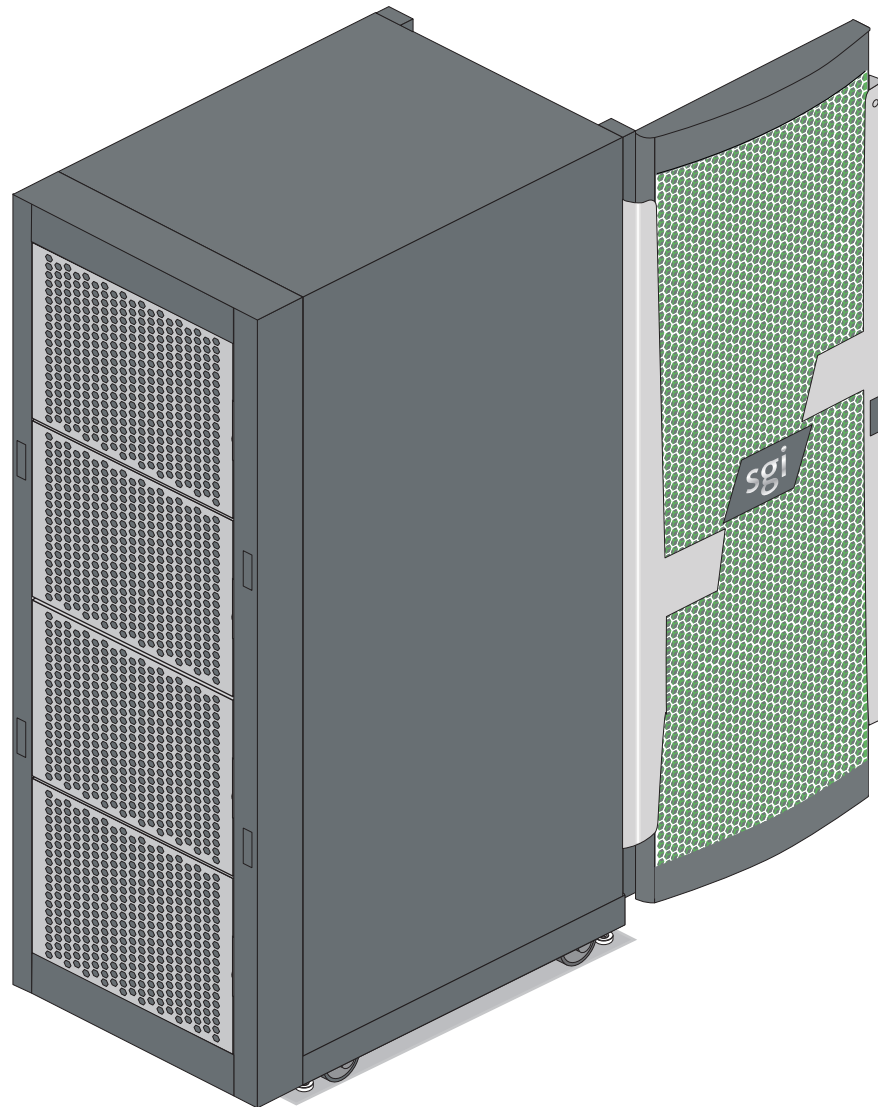
Note that up to 16 power outlets may be needed to power a single blade enclosure pair and supporting servers installed in a single rack. Optional single-phase PDUs can be used in SGI ICE X racks dedicated to I/O functionality.



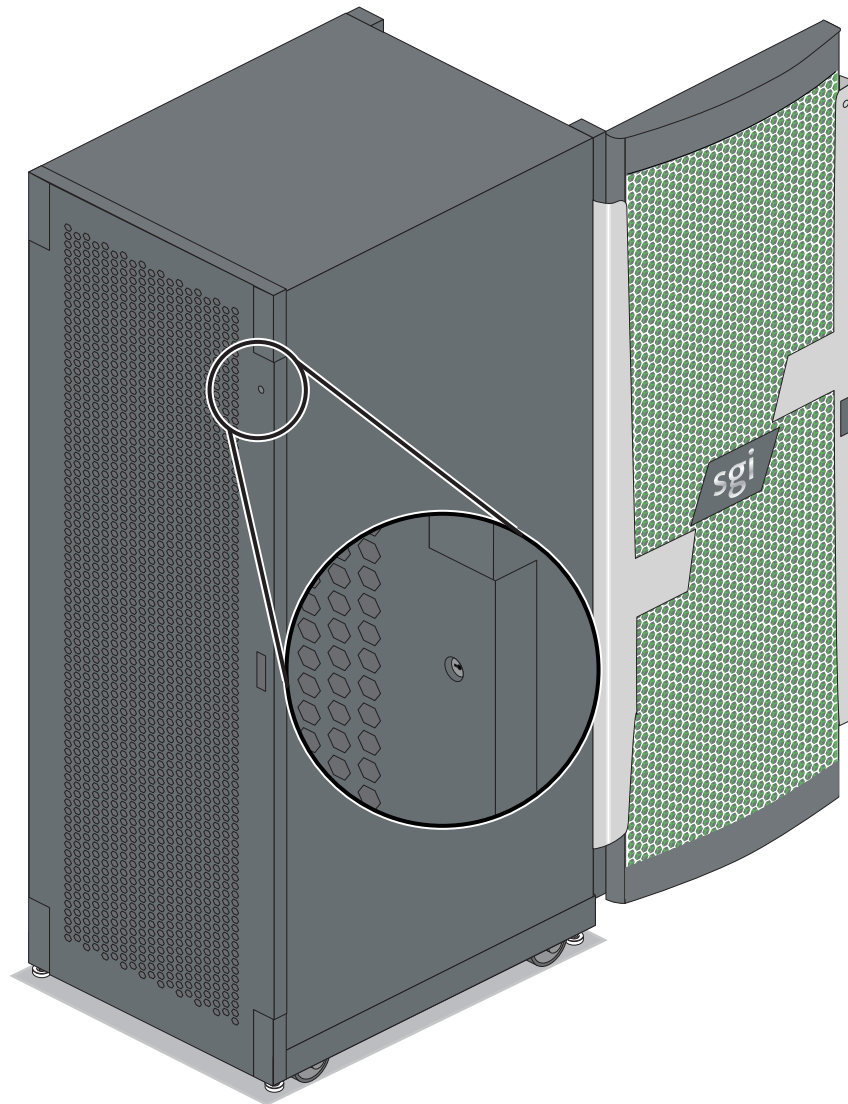
**Figure 4-1** SGI ICE X Series D-Rack Example



**Figure 4-2** Front Lock on Tall (42U) D-Rack



**Figure 4-3** Optional Water-Chilled Door Panels on Rear of ICE X D-Rack



**Figure 4-4** Air-Cooled D-Rack Rear Door and Lock Example



## ICE X D-Rack Technical Specifications

Table 4-1 lists the technical specifications of the SGI ICE X series D-Rack.

**Table 4-1** Tall SGI ICE X D-Rack Technical Specifications

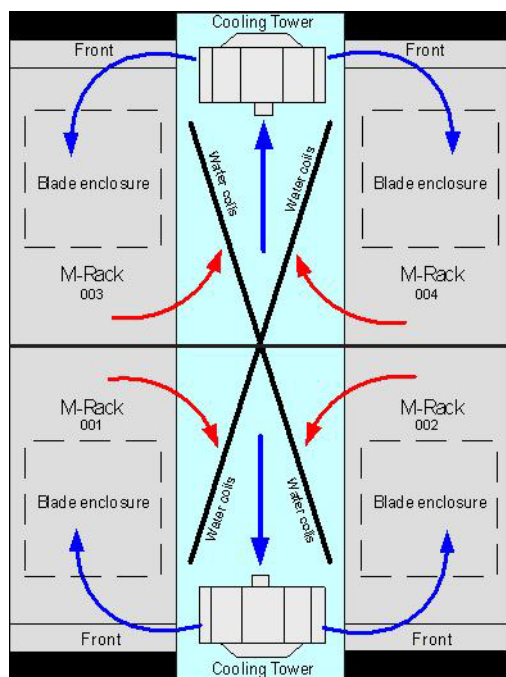
Characteristic	Specification
Height	79.5 in. (201.9 cm) 82.25 in (208.9 cm) with 2U top
Width	24 in. (61 cm) - optionally expandable
Depth	49.5 in. (125.7 cm) - air cooled; 50.75 in. (128.9 cm) - water cooled
Weight (full)	~2,500 lbs. (1,136 kg) approximate (water cooled)
Shipping weight (max)	~2,970 lbs. (1,350 kg) approximate maximum
Voltage range	North America/International
Nominal	200-240 VAC /230 VAC
Tolerance range	180-264 VAC
Frequency	North America/International
Nominal	60 Hz /50 Hz
Tolerance range	47-63 Hz
Phase required	3-phase (optional single-phase available in I/O rack)
Power requirements (max)	34.58 kVA (33.89 kW)
Hold time	16 ms
Power cable	12 ft. (3.66 m) pluggable cords

**Important:** The D-rack’s optional water-cooled door panels only provide cooling for the bottom 42U of the rack. If the top of the rack is “expanded” 2U, 4U, or 6U, to accommodate optional system components, the space in the extended zone is **not** water cooled.

See “System-level Specifications” in Appendix A for a more complete listing of SGI ICE X system operating specifications and environmental requirements.

## SGI ICE X M-Cell Rack Assemblies

Specific SGI ICE X system configurations require the use of enhanced “closed-loop” cooling and the compute rack assemblies are generally referred to as an “M-Cell”. A complete M-Cell assembly consists of four compute racks and two cooling racks, see Figure 4-5 for an example. The racks are connected together to create a sealed unit to support closed-loop cooling. One innovative difference in an M-Cell rack system is that it does not exhaust heated air into the surrounding environment; this means an M-Cell does not add to the heat load of the computer room. Multiple M-Cells can be interconnected and configured to create very large systems. Most M-Cell configurations also require the use of a separate cooling distribution rack unit (CDU rack) not shown in Figure 4-5.



**Figure 4-5** M-Cell Rack Configuration Example (Top View)

The smallest M-Cell assembly consists of two compute racks with a cooling rack in between. This smaller unit is often referred to as a “½-Cell” rack assembly or simply a “half-cell”. See Figure 4-7 on page 65 for an example.

## M-Cell Functional Overview

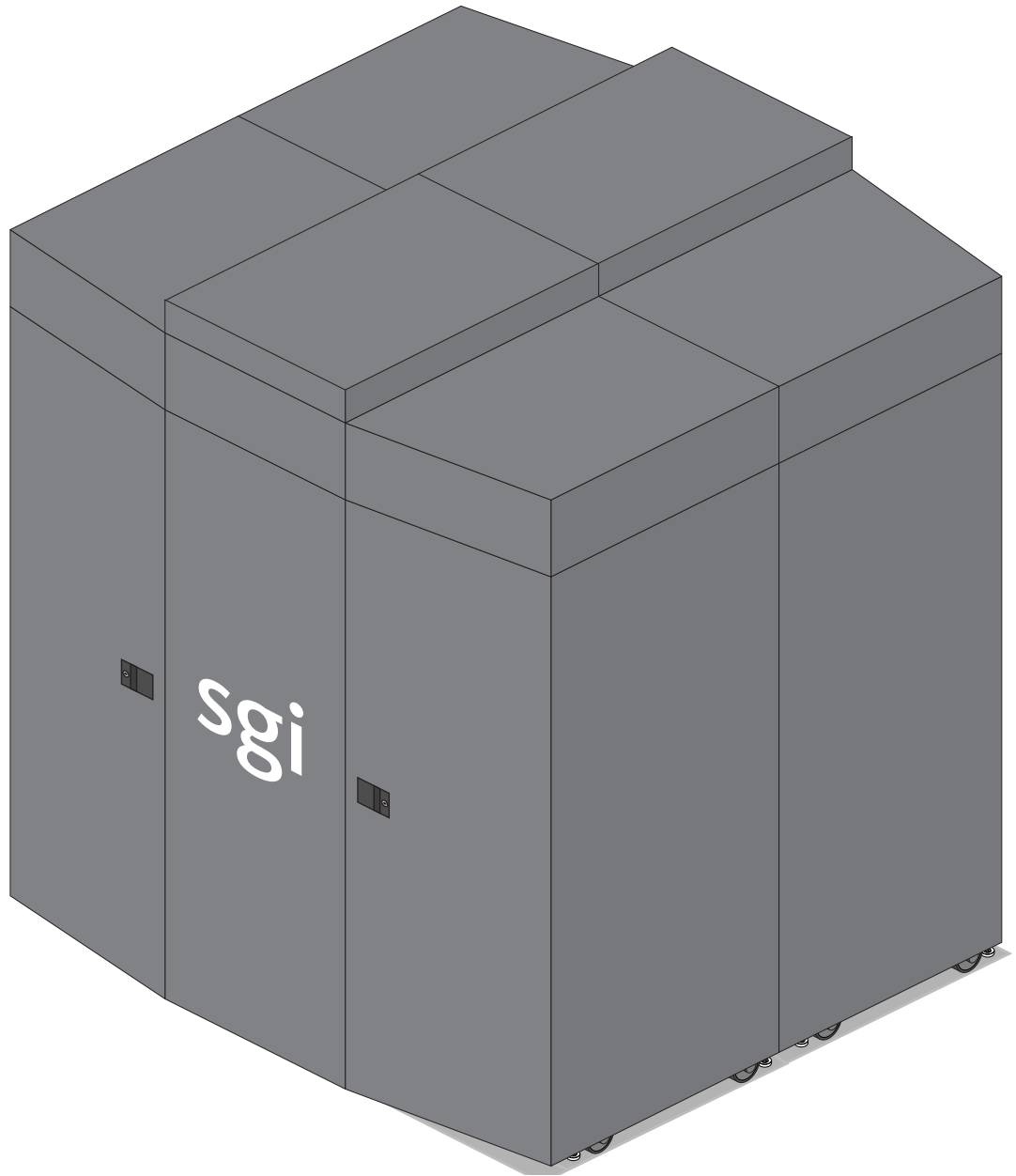
An M-Cell consists of M-racks and cooling racks and in most configurations a special cooling distribution rack (CDU). When liquid-cooled blades are used in the system, the separate CDU supplies water that dissipates heat off the system CPUs.

There is one 24-inch wide x 93-inch high cooling rack for every two M-racks in an M-Cell. The cooling rack circulates conditioned air through the M-racks to cool the components within the M-rack assembly. Figure 4-6 on page 64 shows the cooling rack at the center of the array with the SGI logo on the front. Note that the cooling rack does **not** accommodate any compute or storage components and is used strictly for cooling the M-Cell assembly.

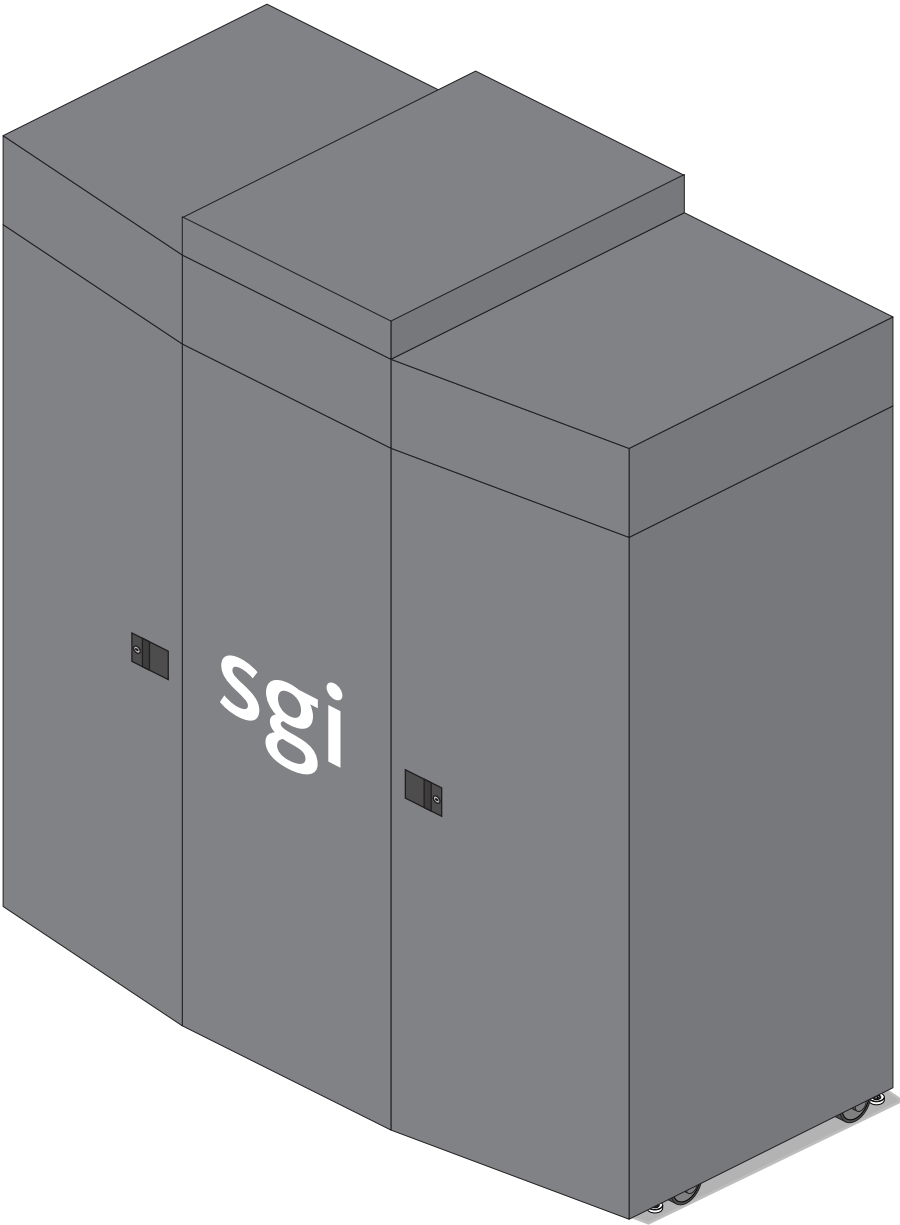
The compute racks used in an M-Cell configuration are 33-inches (83.8 cm) wide; other size and weight differences (compared to the D-Rack) are noted in Table 4-2. In the M-rack there are six power shelves per blade enclosure pair.

**Table 4-2** SGI ICE X M-Rack Technical Specifications

Characteristic	Specification
Height	93 in. (236.2 cm)
Width	33 in. (83.8 cm)
Depth	48.4 in. (121.9 cm)
Weight (full)	~2,426 lbs. (1,103 kg) approximate
Shipping weight (max)	~2,850 lbs. (1,295 kg) approximate
Voltage range	North America/International
Nominal	200-240 VAC /230 VAC
Tolerance range	180-264 VAC /180-254 VAC
Frequency	North America/International
Nominal	60 Hz / 50 Hz
Tolerance range	47-63 Hz / 47-63
Phase required	single-phase or optional 3-phase
Power requirements (max)	76 kVA (77.47 kW)
Hold time	20 ms
Power cable	10 ft. (3.0 m) pluggable cords



**Figure 4-6** SGI ICE X Multi-Cell (M-Cell) Rack Array Example



**Figure 4-7** Half M-Cell Rack Assembly (1/2-Cell) Example



## SGI ICE X Administration/Leader Servers

This chapter describes the function and physical components of the administrative/rack leader control servers (also referred to as nodes) in the following sections:

- “Overview” on page 68
- “System Hierarchy” on page 68
- “1U Rack Leader Controller and Administration Server” on page 71

For purposes of this chapter “administration/controller server” is used as a catch-all phrase to describe the stand-alone servers that act as management infrastructure controllers. The specialized functions these servers perform within the SGI ICE X system primarily include:

- Administration and management
- Rack leader controller (RLC) functions

Other servers described in this chapter can be configured to provide additional services, such as:

- Fabric management (usually used with larger systems)
- Login
- Batch
- I/O gateway (storage)
- MDS node (Lustre configurations)
- OSS node (Lustre configurations)

Note that these functions are performed by the system’s “service nodes” which are additional individual servers set up for single or multiple service tasks.

## Overview

User interfaces consist of the Compute Cluster Administrator, the Compute Cluster Job Manager, and a Command Line Interface (CLI). Management services include job scheduling, job and resource management, Remote Installation Services (RIS), and a remote command environment. The administrative controller server is connected to the system via a Gigabit Ethernet link, (it is not directly linked to the system's InfiniBand communication fabric).

Note that the system management software runs on the administrative node, RLC and service nodes as a distributed software function. The system management software performs all of its tasks on the ICE X system through an Ethernet network.

The administrative controller server (also known as the system admin controller) is at the top of the distributed management infrastructure within the SGI ICE X system. The overall SGI ICE X series management is hierarchical (see the following subsection "System Hierarchy" and also Figure 5-1 on page 70), with the RLC(s) communicating with the compute nodes via CMC interconnect.

## System Hierarchy

The SGI ICE X system has a four-tier, hierarchical management framework. The ICE X systems contain hardware and software components as follows:

- System Admin Controller (SAC) - one per system
- Rack Leader Controller (RLC) - one per 8 CMCs
- Chassis Management Controller (CMC) - one or two per blade enclosure
- 48-port Gigabit Ethernet switch (note that some system racks may contain more than one 48-port switch - reference Figure 2-2 on page 20 as an example)
- Baseboard Management Controller (BMC) - one per each of the following:
  - Compute node (note that some blades may contain more than one logical node)
  - SAC
  - RLC
  - Service node



---

## Communication Hierarchy

Communication within the overall management framework is as follows:

### Admin Node

The Admin node communicates with the following:

- All rack leader controllers (RLCs)
- All cooling rack controllers (CRCs)
- All cooling distribution units (CDUs)

### Rack Leader Controller (RLC)

The RLCs within a “logical rack” (see tip that follows) communicate with the following:

- All chassis management controllers (CMCs) within the same logical rack as the RLC.

### Chassis Management Controllers

The CMCs within a logical rack communicate with the following:

- The rack leader controllers (RLCs) within the same logical rack

The following two components communicate with CMCs only in M-Cell rack systems:

- The cooling rack controller (CRC) assigned to the same logical rack as the CMC
- The cooling distribution unit (CDU) assigned to the same logical rack as the CMC

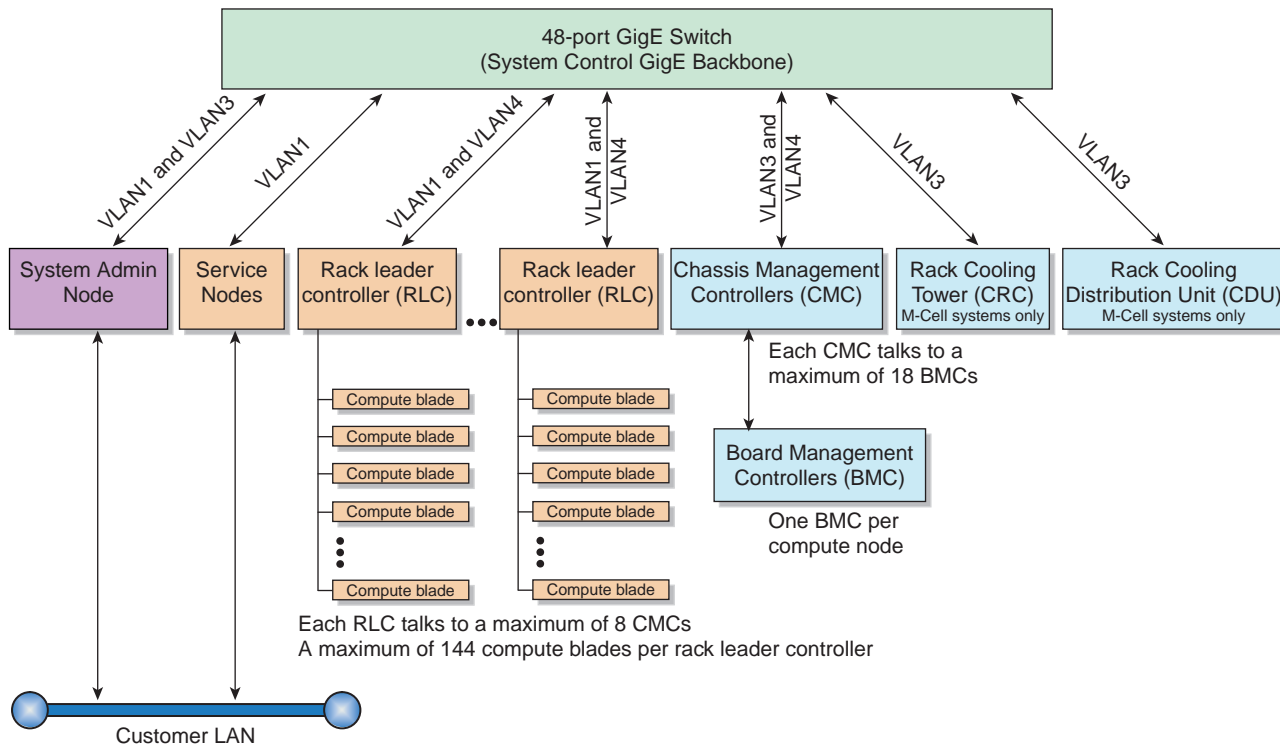
---

**Tip:** A logical rack can be one or two physical racks. The number of CMCs in a blade enclosure pair determines the number of physical racks in a logical rack. If there are two CMCs in a blade enclosure pair, then one logical rack equals two physical racks. If there are four CMCs in a blade enclosure pair, then one logical rack equals one physical rack.

---

The logical rack is based on the RLC. There is one RLC in each logical rack. An RLC supports a maximum of eight CMCs. Therefore, if there are eight CMCs in one rack then one logical rack equals one physical rack.

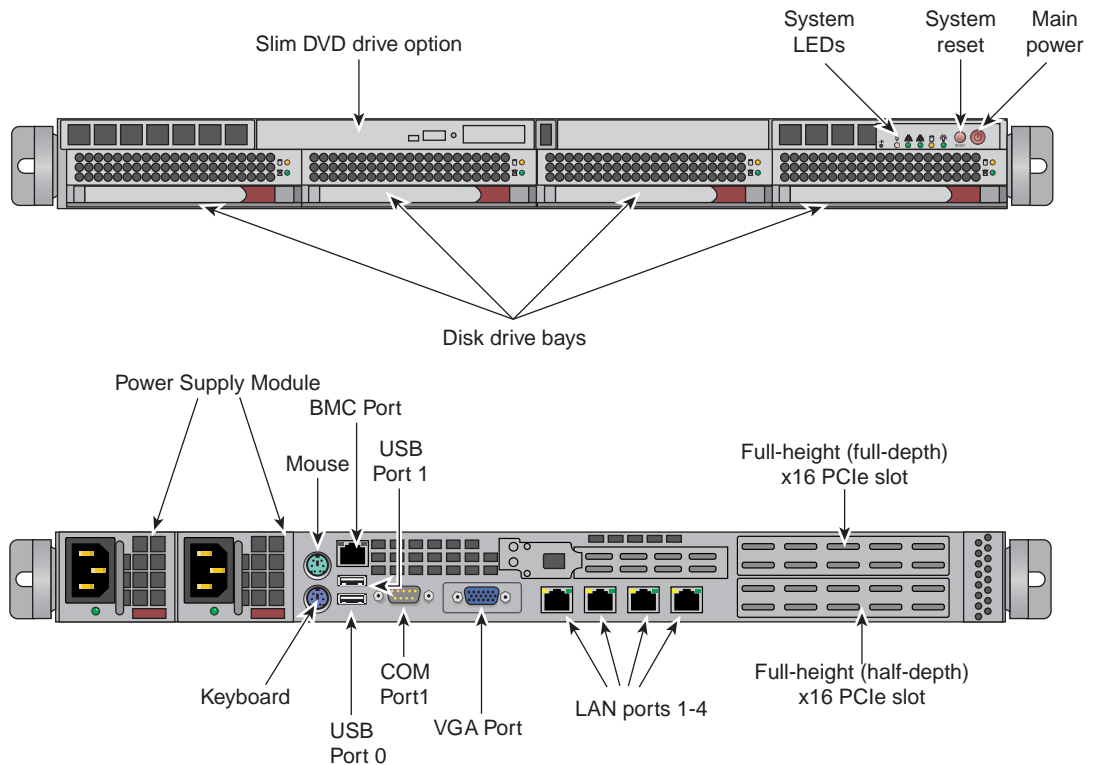
### System management hierarchy



**Figure 5-1** SGI ICE X System Administration Hierarchy Example Diagram

## 1U Rack Leader Controller and Administration Server

Figure 5-2 shows the front and rear views of the 1U server used as a Rack Leader Controller (RLC) and also used separately as an administration server for the ICE X system.



**Figure 5-2** 1U Rack Leader Controller (RLC) Server Front and Rear Panels

The system administrative controller unit acts as the SGI ICE X system’s primary interface to the “outside world”, typically a local area network (LAN). The server is used by administrators to provision and manage cluster functions using SGI’s cluster management software. Refer to the *SGI Management Center Administration Guide for Clusters*, (P/N 007-6358-00x) if you need more detailed information.

Batch or login functions most often run on individual separate “service” nodes, especially when the system is a large-scale multi-rack installation or has a large number of users. The 1U server

may also be used as a separate (non-RLC/admin) login, batch, I/O, MDS, OSS or fabric management node. See the section “Modularity and Scalability” on page 38 for a list of administration and support server types and additional functional descriptions.

## 1U Service Nodes

The 1U rack leader controller server (shown in Figure 5-2 on page 71) can be optionally used as a non-RLC/admin service node. The following subsection (“C1104G-RP5 1U Service Node”) describes an additional 1U service node that is **never** used as the system administrator or RLC node in an ICE X system.

### C1104G-RP5 1U Service Node

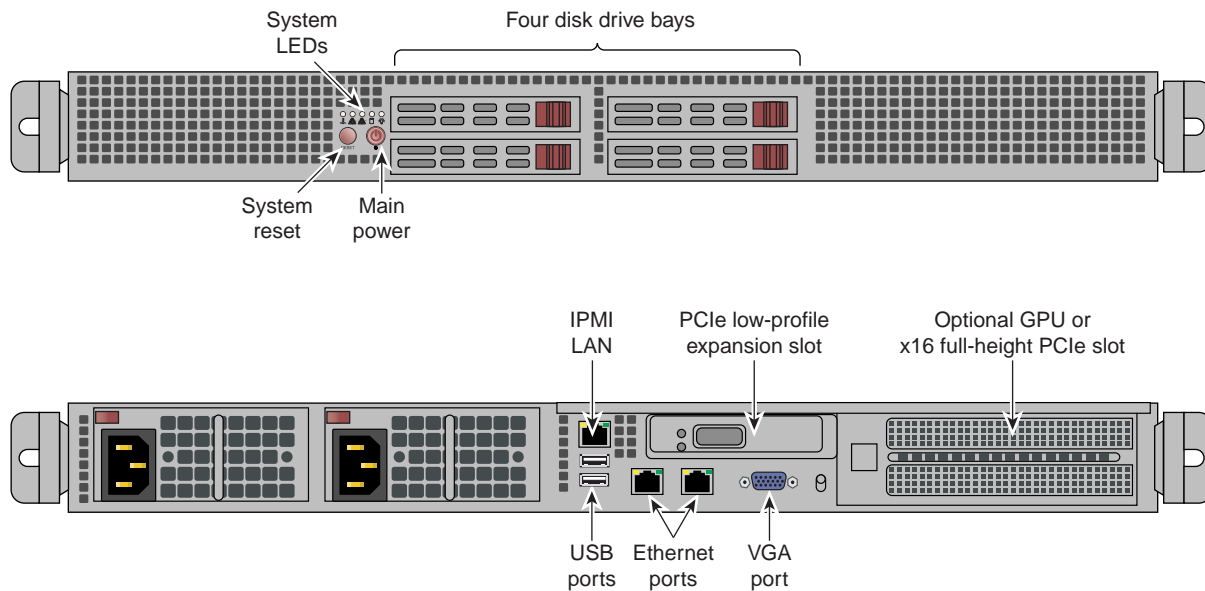
The Rackable C1104G-RP5 server is a 1U rackmount service node used as a login, batch, fabric management, I/O, MDS, or OSS system. At the heart of the system is a dual-processor serverboard based on the Intel C602 chipset. The serverboard (motherboard) supports two multi-core, Intel Xeon E5-2600 series processors. Separate QPI link pairs connect the two processors and the I/O hub in a network on the board.

The serverboard has eight DIMM slots (four per processor) that support DDR3 1600/1333/1066/800 MHz RDIMMs.

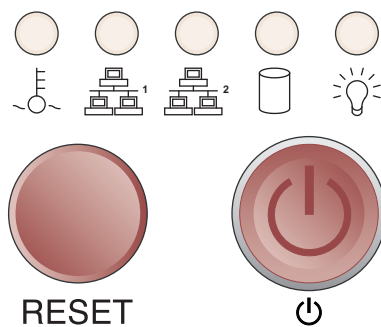
The system supports four hard disk drives and up to three internal optional GPUs. An external low-profile PCIe 3.0 x8 option card slot is also supported. Available GPU and PCIe option cards may be limited, check with your SGI sales or service representative for additional information.

Figure 5-3 on page 73 shows the front and rear panel features of the C1104G-RP5 service node.

See the *SGI Rackable C1104G-RP5 System User Guide* (P/N 007-5839-00x) for more detailed information on this 1U service node.



**Figure 5-3** SGI Rackable C1104G-RP5 1U Service Node Front and Rear Panels



**Figure 5-4** SGI Rackable C1104G-RP5 System Control Panel and LEDs

From left to right the LED indicators are:

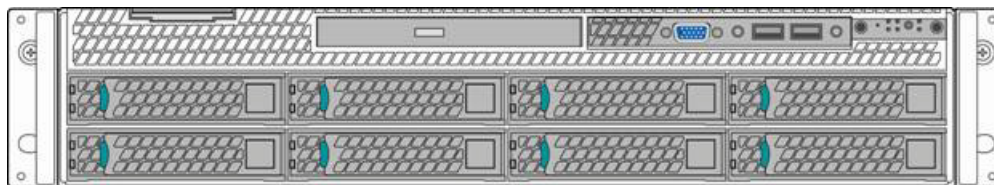
- Overheat/fan fail/UID
- LAN1 and LAN2 network indicators
- Hard drive activity and power good LEDs

## 2U Service Nodes

For systems using a separate login, batch, I/O, fabric management, or Luster service node; the following SGI 2U servers are also available as options.

### RP2 2U Service Nodes

The SGI Rackable RP2 standard-depth servers are 2U rackmount service nodes. Each model of the server has two main subsystems: the 2U server chassis and a dual-processor serverboard. The RP2 system offered is called SGI Rackable C2108-RP2 (and uses up to 8 hard disk drives). Figure 5-5 shows a front view example of the C2108-RP2 service node.

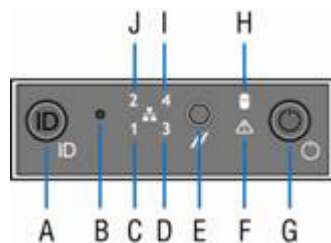


**Figure 5-5** 8-HDD Configuration RP2 Service Node Front Panel Example

See the *SGI Rackable RP2 Standard-Depth Servers User Guide* (P/N 007-5837-00x) for more detailed information on the RP2 service nodes.

### RP2 Service Node Front Controls

The control panel on the C2108-RP2 service node has a horizontal orientation. Figure 5-6 shows an example of the control panel layout on the server. Table 5-1 on page 75 identifies the functions of the individual buttons and LED indicators shown.



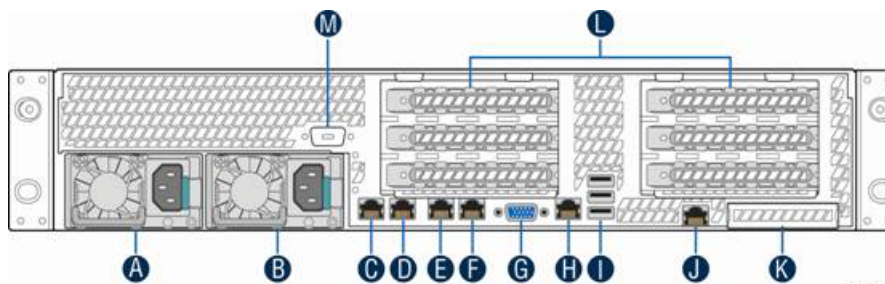
**Figure 5-6** C2108-RP2 Service Node Front Control Panel—Horizontal Layout

**Table 5-1** C2108-RP2 Control Panel Components

<b>Label</b>	<b>Description</b>
<b>A</b>	System ID button with integrated LED
<b>B</b>	NMI button (recessed, tool required for use)
<b>C</b>	NIC-1 Activity LED
<b>D</b>	NIC-3 Activity LED
<b>E</b>	System Cold Reset button
<b>F</b>	System Status LED
<b>G</b>	Power button with integrated LED
<b>H</b>	Hard Drive Activity LED
<b>I</b>	NIC-4 Activity LED
<b>J</b>	NIC-2 Activity LED

## RP2 Service Node Back Panel Components

Figure 5-7 and Table 5-2 on page 76 identify the components on the back panel of the C2108-RP2 service node.



**Figure 5-7** RP2 Service Node Back Panel Components Example

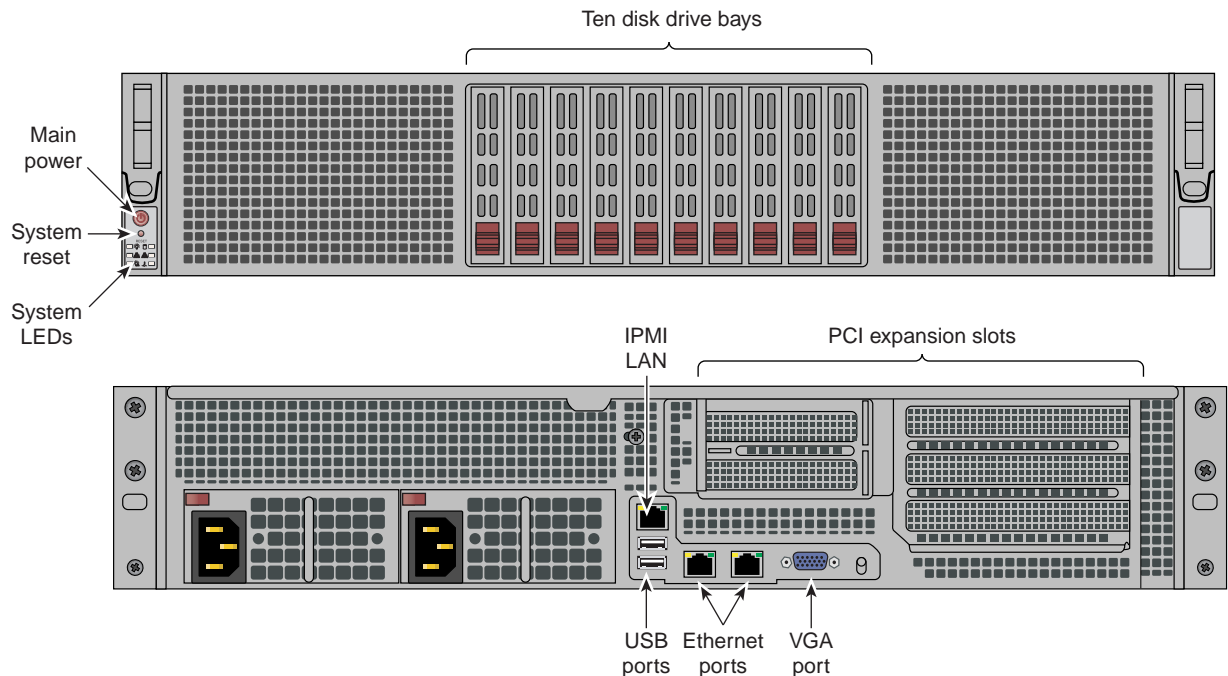
**Table 5-2** RP2 Service Node Back Panel Components

Label	Description
A	Power Supply Module #1
B	Power Supply Module #2
C	NIC 1
D	NIC 2
E	NIC 3
F	NIC 4
G	Video connector
H	RJ45 Serial-A port
I	USB ports
J	RMM4 NIC port
K	I/O module ports/connectors (optional)
L	Add-in adapter slots via Riser Card 1 and Riser Card 2
M	Serial-B port (optional)



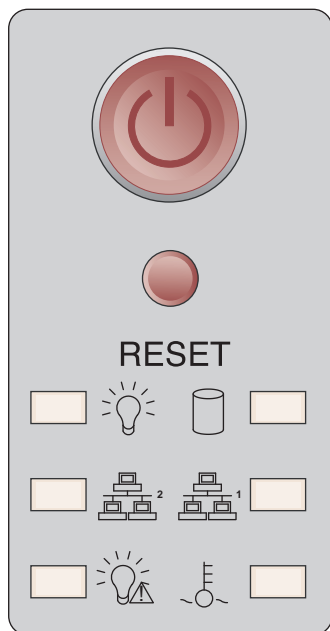
## C2110G-RP5-P 2U Service Node

Figure 5-8 shows front and rear views of the SGI Rackable C2110G-RP5-P 2U service node. Note that this server uses up to eight DIMM memory cards, (four per processor). Separate QPI link pairs connect the two processors and the I/O hub in a network on the server's motherboard. The server has internal riser cards that support up to six optional GPU cards and also one external (non-GPU) PCIe card at the rear of the chassis. Available numbers of GPU and PCIe option cards may be limited by ambient temperature restrictions. Check with your SGI sales or service representative for additional information on GPU configurations. See the *SGI Rackable C2110G-RP5-P System User Guide* (P/N 007-6343-00x) for more detailed information on this 2U service node.



**Figure 5-8** Front and Rear Views of the SGI C2110G-RP5-P 2U Service Node

The control panel on the C2110G-RP5-P service node provides you with system monitoring and control. A main power button and a system reset button are located at the top of the panel. LEDs that indicate system power is on, HDD activity, network activity, power supply status and a system overheat/fan-fail/UID LED are included. The C2110-RP5-P 2U server's control panel features are shown in Figure 5-9 and described in Table 5-3 on page 78.



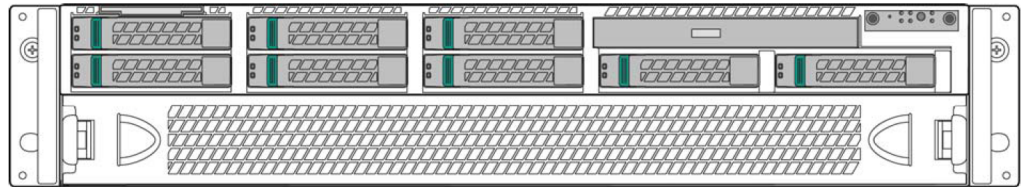
**Figure 5-9** SGI Rackable C2110G-RP5-P 2U Service Node Control Panel Diagram

**Table 5-3** C2110G-RP5-P 2U Server Control Panel Functions (listed top to bottom)

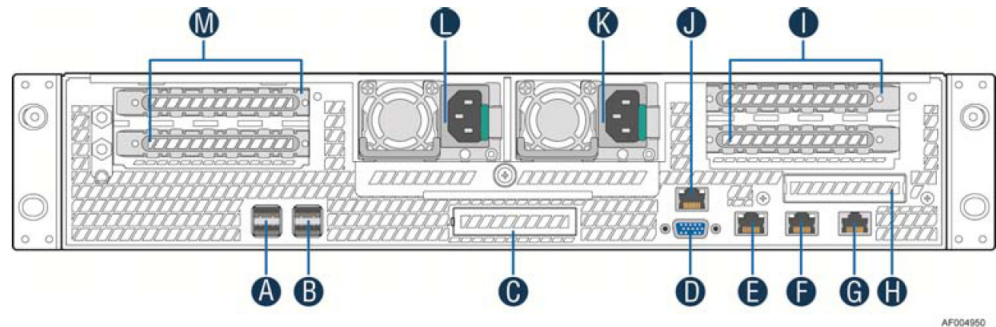
Functional feature	Functional description
Power button	Pressing the button applies/ removes power from the power supplies to the server. Turning off power with this button removes main power but keeps standby power supplied to the system.
Reset button	Pressing this button reboots the server.
Power LED	Indicates power is being supplied to the server's power supply units.
Disk activity LED	Indicates drive activity when flashing.
NIC 1 Activity LED	Indicates network activity on LAN 1 when flashing green.
NIC 2 Activity LED	Indicates network activity on LAN 2 when flashing green.
Power Fail LED	The power fail LED lights when a power supply module has failed.
Universal information LED	This multi-color LED blinks red quickly to indicate a fan failure and slowly for a power failure. A continuous solid red LED means an overheating CPU. The LED glows/blinks solid blue when used for UID (Unit Identifier).

## SGI UV 20 2U Service Node

The 2U-high SGI UV 20 server is available as a four-processor ICE X service node. This 2U service node uses four Intel E5-4600 Xeon processors and supports up to 48 DIMM memory modules plus multiple I/O modules and storage adapters. Figure 5-10 shows an example front view of the SGI UV 20 service node and Figure 5-11 shows and describes the unit's rear panel components.



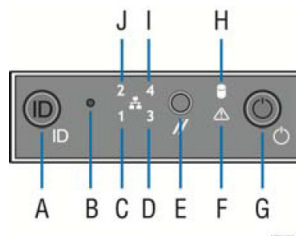
**Figure 5-10** SGI UV 20 Service Node Front Panel Example



Label	Description	Label	Description
A	USB Ports	H	I/O Module Ports/Connectors (Optional)
B	USB Ports	I	Add-in adapter slots via Riser Card
C	I/O Module Ports/Connectors (Optional)	J	RMM4 NIC Port (Optional)
D	Video Connector	K	Power Supply Module #2
E	NIC – 1	L	Power Supply Module #1
F	NIC – 2	M	Add-in adapter slots via Riser Card
G	RJ45 Serial-A Port		

**Figure 5-11** SGI UV 20 Service Node Rear Panel and Component Descriptions

Figure 5-12 identifies and describes the functions of the SGI UV 20 service node's front control panel.



Label	Description	Label	Description
A	System ID Button w/Integrated LED	F	System Status LED
B	NMI Button (recessed, tool required for use)	G	Power Button w/Integrated LED
C	NIC-1 Activity LED	H	Hard Drive Activity LED
D	Not Used	I	Not Used
E	System Cold Reset Button	J	NIC-2 Activity LED

**Figure 5-12** SGI UV 20 Service Node Front Control Panel Description

For more information on the SGI UV 20 server, see the *SGI UV 20 System User Guide*, (P/N 007-5900-00x).

## Basic Troubleshooting

This chapter provides the following sections to help you troubleshoot your system:

- “Troubleshooting Chart” on page 82
- “LED Status Indicators” on page 83
- “Blade Enclosure Pair Power Supply LEDs” on page 83
- “IP113 Compute Blade LEDs” on page 84
- “IP115 Compute Blade Status LEDs” on page 85
- “IP119 Compute Blade Status LEDs” on page 87
- “IP131 Compute Blade Status LEDs” on page 88
- “IP133 Compute Blade Status LEDs” on page 89
- “Accessing Online Support Information and Services” on page 90

## Troubleshooting Chart

Table 6-1 lists recommended actions for problems that can occur. To solve problems that are not listed in this table, contact your SGI system support organization.

**Table 6-1** Troubleshooting Chart

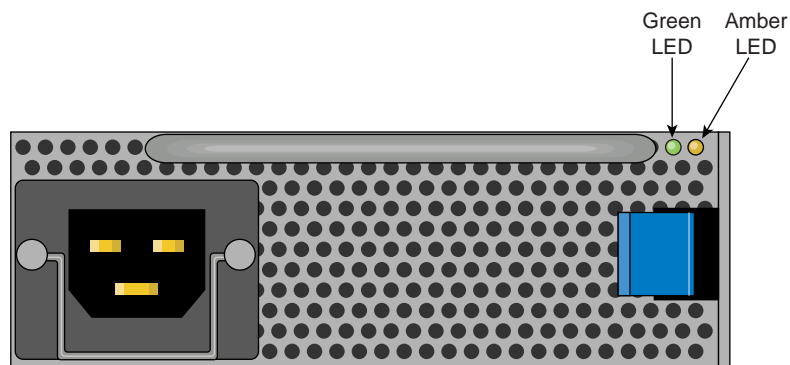
<b>Problem Description</b>	<b>Recommended Action</b>
The system will not power on.	<p>Ensure that the power cords of the enclosure are seated properly in the power receptacles.</p> <p>Ensure that the PDU circuit breakers are on and properly connected to the wall source.</p> <p>If the power cord is plugged in and the circuit breaker is on, contact your SSE.</p>
An enclosure pair will not power on.	<p>Ensure the power cables of the enclosure are plugged in and the PDU is turned on.</p> <p>View the CMC output from your system administration controller console. If the CMC is not running, contact your support provider.</p>
The system will not boot the operating system.	Contact your support provider.
The PWR LED of a populated PCI slot in a support server is not illuminated.	Reseat the PCI card.
The Fault LED of a populated PCI slot in a support server is illuminated (on).	Reseat the PCI card. If the fault LED remains on, replace the PCI card.
The amber LED of a disk drive is on.	Replace the disk drive.
The amber LED of a system power supply is on.	Replace the power supply.

## LED Status Indicators

There are a number of LEDs visible on the front of the blade enclosures that can help you detect, identify and potentially correct functional interruptions in the system. The following subsections describe these LEDs and ways to use them to understand potential problem areas.

### Blade Enclosure Pair Power Supply LEDs

Each power supply installed in a blade enclosure pair (six total) has one green and one amber status LED located at the right edge of the supply. Each of the LEDs (see Figure 6-1) will either light green or amber (yellow), stay dark, or flash green or yellow to indicate the status of the individual supply. See Table 6-2 for a complete list.



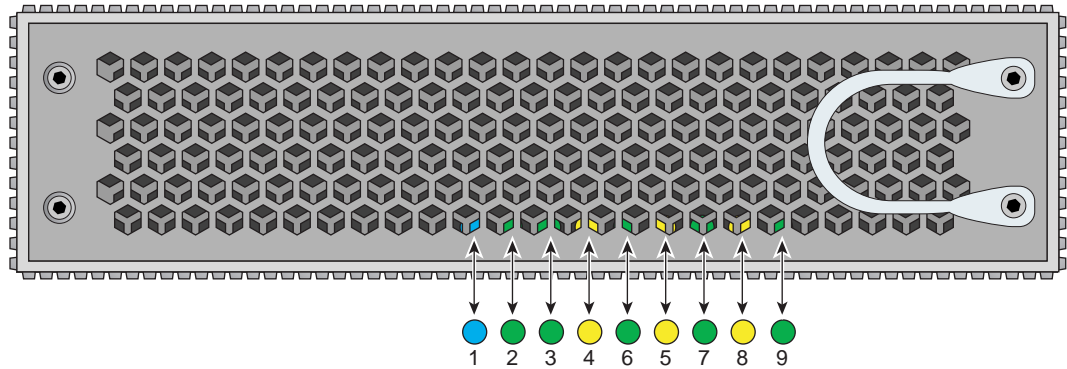
**Figure 6-1** Power Supply Status LED Indicator Locations

**Table 6-2** Power Supply LED States

Power supply status	Green LED	Amber LED
No AC power to the supply	Off	Off
Power supply has failed	Off	On - solid
Power supply problem warning	Off	Blinking
AC available to supply (standby) but enclosure is powered off	Blinking	Off
Power supply on - function normal	On	Off

## IP113 Compute Blade LEDs

Each IP113 compute blade installed in an enclosure has status LED indicators arranged in a single row behind the perforated sheetmetal of the blade. The LEDs are located in the front lower section of the compute blade and are visible through the screen of the compute blade, see Figure 6-2.



**Figure 6-2** IP113 Compute Blade Status LED Locations Example

The functions of the LED status lights are as follows:

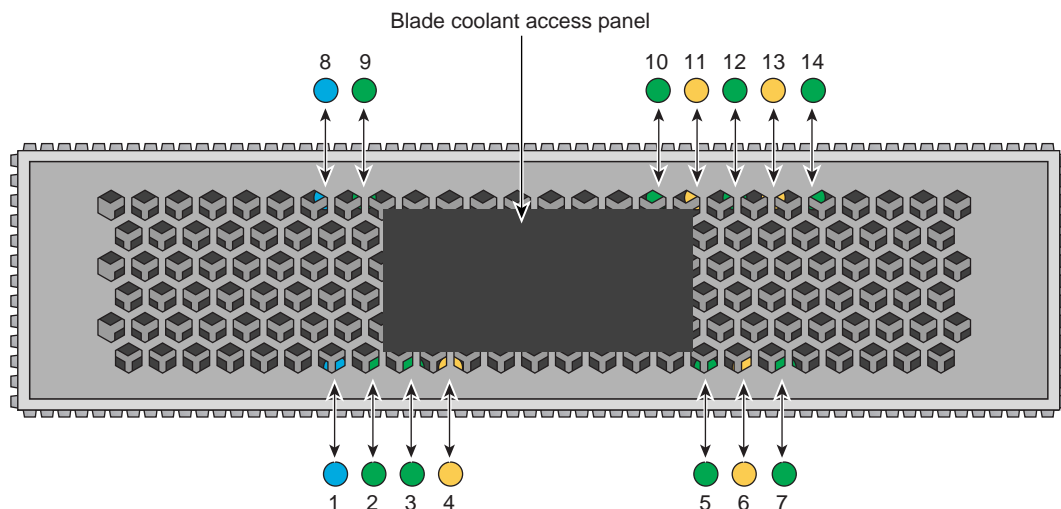
1. UID - Unit identifier - this blue LED is used during troubleshooting to find a specific compute node. The LED can be lit via software to aid in locating a specific compute blade.
2. CPU Power OK - this green LED lights when the correct power levels are present on the processor(s).
3. IB0 link - green LED lights when a link is established on the internal InfiniBand 0 port.
4. IB0 active - this amber LED flashes when IB0 is active (transmitting data).
5. IB1 link - green LED lights when a link is established on the internal InfiniBand 1 port.
6. IB1 active - this amber LED flashes when IB1 is active (transmitting data).
7. Eth1 link - this green LED is illuminated when a link as been established on the system control Eth1 port.
8. Eth1 active - this amber LED flashes when Eth1 is active (transmitting data).
9. BMC heartbeat - this green LED flashes when the blade's BMC boots and is running normally. No illumination, or an LED that stays on solidly indicates the BMC failed.



This type of information can be useful in helping your administrator or service provider identify and more quickly correct hardware problems. See the following subsections for IP115 and IP119 blade-status LED information.

## IP115 Compute Blade Status LEDs

Figure 6-3 identifies the locations of the IP115 board status LEDs.



**Figure 6-3** IP115 Compute Blade Status LEDs Example

The function of the nine LED status lights on the lower node board are as follows:

1. UID - Unit identifier (lower node) - this blue LED is used during troubleshooting to find a specific compute node. The LED can be lit via software to aid in locating a compute node.
2. CPU Power Good (lower node) - this green LED is illuminated when the correct power levels are present on the processor(s).
3. IB0 link (lower node) - this green LED is illuminated when a link has been established on the internal InfiniBand 0 port.
4. IB0 active (lower node) - this amber LED flashes when IB0 is active (transmitting data).
5. Eth1 link (lower node)- this green LED is illuminated when a link has been established on the system control Eth port.

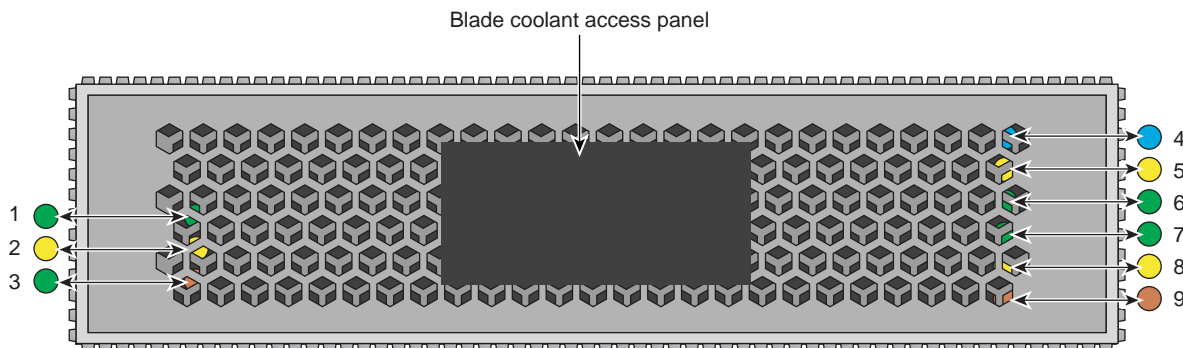
6. Eth1 active (lower node) - this amber LED flashes when Eth1 is active (transmitting data).
7. BMC Heartbeat (lower node) - this green LED flashes when the node board's BMC is functioning normally.

The IP115 upper node board's status LEDs (reference Figure 6-3 on page 85) are identified in the following numbered descriptions:

8. UID - Unit identifier (upper node) - this blue LED is used during troubleshooting to find a specific compute node. The LED can be lit via software to aid in locating a compute node.
9. CPU Power Good (upper node) - this green LED is illuminated when the correct power levels are present on the processor(s).
10. IB0 link (upper node) - this green LED is illuminated when a link has been established on the internal InfiniBand 0 port.
11. IB0 active (upper node) - this amber LED flashes when IB0 is active (transmitting data).
12. Eth1 link (upper node)- this green LED is illuminated when a link has been established on the system control Eth port.
13. Eth1 active (upper node) - this amber LED flashes when Eth1 is active (transmitting data).
14. BMC Heartbeat (upper node) - this green LED flashes when the BMC is functioning normally.

## IP119 Compute Blade Status LEDs

Figure 6-4 shows the location and identifies the status LEDs on the IP119 compute blade.



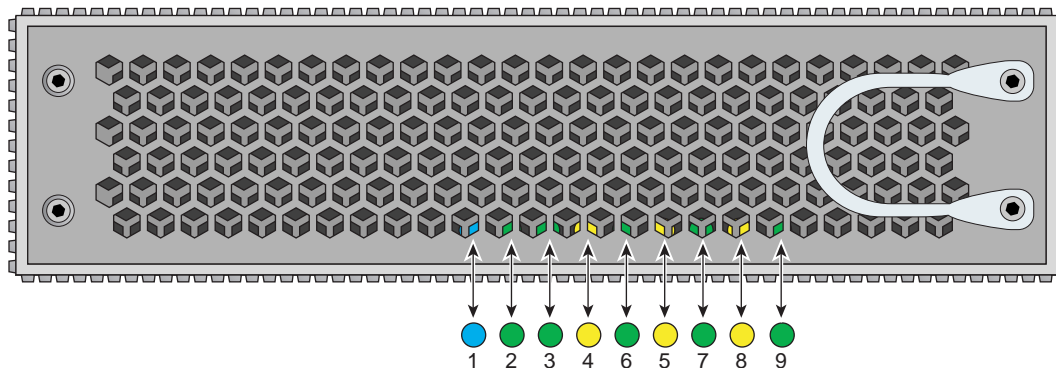
**Figure 6-4** IP119 Blade Status LEDs Example

The status LEDs are visible through the perforated front grill of the IP119 blade. The functions of the nine LED status lights are as follows:

1. IB0 link (lower board)- this green LED is illuminated when a link has been established on the internal InfiniBand 0 port.
2. IB0 active (lower board) - this amber LED flashes when IB0 is active (transmitting data)
3. CPU Power Good (lower board) - this green LED is illuminated when the correct power levels are present on the processor(s).
4. UID - Unit identifier (upper board) - this blue LED is used during troubleshooting to find a specific compute node. The LED can be lit via software to aid in locating a compute node.
5. IB1 active (upper board) - this yellow LED flashes when IB1 is active (transmitting data).
6. IB1 link (upper board) - this green LED is illuminated when a link has been established on the internal InfiniBand 1 port.
7. Eth1 link (lower board) - this green LED is illuminated when a link has been established on the system control Eth1 port.
8. Eth1 active (lower board) - this yellow LED flashes when Eth1 is active (transmitting data).
9. BMC Heartbeat (lower board) - this amber LED flashes when the BMC is functioning normally.

## IP131 Compute Blade Status LEDs

Each IP131 compute blade installed in an enclosure has status LED indicators arranged in a single row behind the perforated sheetmetal of the blade. The LEDs are located in the front lower section of the compute blade and are visible through the screen of the compute blade, see Figure 6-5.



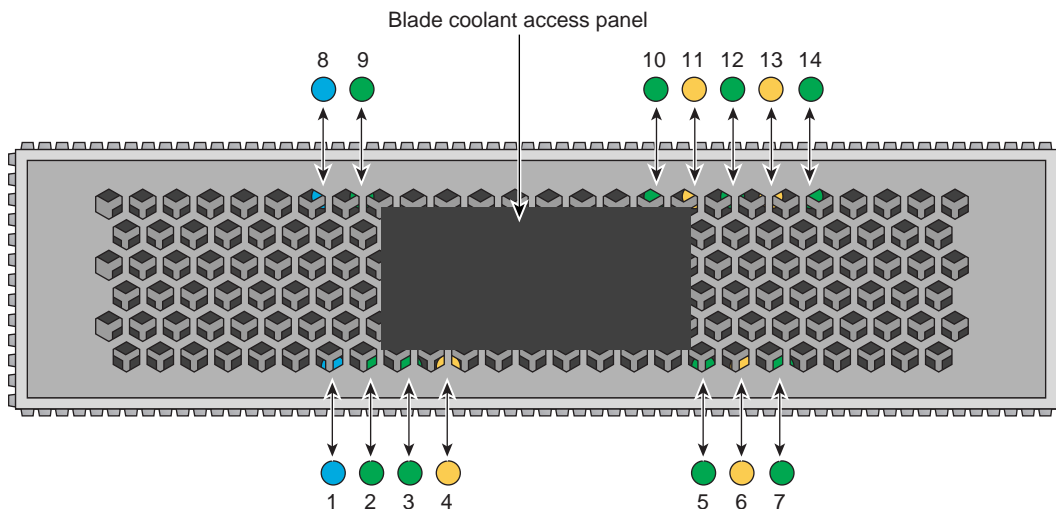
**Figure 6-5** IP131 Compute Blade Status LED Locations Example

The functions of the IP131 blade LED status lights are as follows:

1. UID - Unit identifier - this blue LED is used during troubleshooting to find a specific compute node. The LED can be lit via software to aid in locating a specific compute blade.
2. CPU Power OK - this green LED lights when the correct power levels are present on the processor(s).
3. IB0 link - green LED lights when a link is established on the internal InfiniBand 0 port.
4. IB0 active - this amber LED flashes when IB0 is active (transmitting data).
5. IB1 link - green LED lights when a link is established on the internal InfiniBand 1 port.
6. IB1 active - this amber LED flashes when IB1 is active (transmitting data).
7. Eth1 link - this green LED is illuminated when a link as been established on the system control Eth1 port.
8. Eth1 active - this amber LED flashes when Eth1 is active (transmitting data).
9. BMC heartbeat - this green LED flashes when the blade's BMC boots and is running normally. No illumination, or an LED that stays on solidly indicates the BMC failed.

## IP133 Compute Blade Status LEDs

Figure 6-6 shows the location and identifies the status LEDs visible through the perforated front grill of the IP133 compute blade. The blade consists of an interfaced lower and upper node board.



**Figure 6-6** IP133 Blade Status LEDs Example

The function of the LED status lights (see Figure 6-6) on the lower node board are as follows:

1. UID - Unit identifier (lower node) - this blue LED is used during troubleshooting to find a specific compute node. The LED can be lit via software to aid in locating a compute node.
2. CPU Power Good (lower node) - this green LED is illuminated when the correct power levels are present on the processor(s).
3. IB0 link (lower node) - this green LED is illuminated when a link has been established on the internal InfiniBand 0 port.
4. IB0 active (lower node) - this amber LED flashes when IB0 is active (transmitting data).
5. Eth1 link (lower node)- this green LED is illuminated when a link has been established on the system control Ethernet port.
6. Eth1 active (lower node) - this amber LED flashes when Eth1 is active (transmitting data).
7. BMC Heartbeat (lower node) - this green LED flashes when the node board's BMC is functioning normally.

The IP133 upper node board's status LEDs (reference Figure 6-6 on page 89) are identified in the following numbered descriptions:

8. UID - Unit identifier (upper node) - this blue LED is used during troubleshooting to find a specific compute node. The LED can be lit via software to aid in locating a compute node.
9. CPU Power Good (upper node) - this green LED is illuminated when the correct power levels are present on the processor(s).
10. IB0 link (upper node) - this green LED is illuminated when a link has been established on the internal InfiniBand 0 port.
11. IB0 active (upper node) - this amber LED flashes when IB0 is active (transmitting data).
12. Eth1 link (upper node) - this green LED is illuminated when a link has been established on the system control Ethernet port.
13. Eth1 active (upper node) - this amber LED flashes when Eth1 is active (transmitting data).
14. BMC Heartbeat (upper node) - this green LED flashes when the BMC is functioning normally.

## Accessing Online Support Information and Services

Multiple levels of service, support and troubleshooting information are available through:

<http://www.sgi.com/support>

The site provides access to a variety of on-line and in-person support resources as follows:

### SGI Customer Portal

---

**Note:** The SGI Customer Portal website is a part of the overall SGI support provided and can be directly accessed at: <http://support.sgi.com>

---

When you log in to the SGI Customer Portal website, you can access current SGI hardware and software customer manuals. See the section “Obtaining SGI Publications” on page xviii of this document for access instructions. Other Customer Portal offerings include:

- Software downloads and patches

- SGI Knowledgebase
- Service call logging and tracking
- Submission of technical questions

Note that the customer document access on the SGI Customer Portal has replaced the SGI TechPubs Library.

## Technical Assistance

This website topic area covers how and where to obtain direct technical assistance from SGI or our contracted service partners and includes:

- Customer Support Centers in North America, the Asia-Pacific zone, Near-East and Europe
- Authorized support partners in areas not directly supported by an SGI Customer Support Center

## Other Resources

Topics covered under Other Resources include:

- Support Services descriptions
- Product Warranties
- Customer Replaceable Units (CRU)
- Warranty and Support Contract Transfers
- Service Contracts
- Software Keys

## SGI Warranty Levels

The complete SGI Electronic Support services are available to customers who have a valid SGI Warranty or support contract. Additional electronic services may become available after publication of this document; contact your SGI sales or support representative for the latest information.

To purchase a support contract that allows you to use the complete SGI Electronic Support services (such as SGI RS), contact your SGI sales representative.

### **Optional SGI Remote Services (SGI RS)**

The optional SGI RS system automatically detects system conditions that indicate potential failure, see the section “Optional SGI Remote Services (SGI RS)” in Chapter 1 for an overview and description.



## Maintenance Procedures

This chapter provides information about installing or removing components from your SGI ICE X system, as follows:

- “Maintenance Precautions and Procedures” on page 93
- “Installing or Removing Internal Parts” on page 94

---

**Note:** These procedures are intended for D-rack based ICE X systems. Check with your support provider for information on M-Cell maintenance.

---

### Maintenance Precautions and Procedures

This section describes how to access the system for specific types of customer approved maintenance and protect the components from damage. The following topics are covered:

- “Preparing the System for Maintenance or Upgrade” on page 94
- “Installing or Removing Internal Parts” on page 94

## Preparing the System for Maintenance or Upgrade

To prepare the system for maintenance, you can follow the guidelines in “Powering On and Off” in Chapter 1 and power down the affected blade enclosure pair. The section also has information on powering-up the enclosure after you have completed the maintenance/upgrade required.

If your system does not boot correctly, see Chapter 6 for troubleshooting procedures.

## Installing or Removing Internal Parts



**Caution:** The components inside the system are extremely sensitive to static electricity. Always wear a wrist strap when you work with parts inside your system.

To use the wrist strap, follow these steps:

1. Unroll the first two folds of the band.
2. Wrap the exposed adhesive side firmly around your wrist, unroll the rest of the band, and then peel the liner from the copper foil at the opposite end.
3. Attach the copper foil to an exposed electrical ground, such as a metal part of the chassis.



**Caution:** Do not attempt to install or remove components that are not listed in Table 7-1. Components not listed must be installed or removed by a qualified SGI field engineer.

Table 7-1 lists the customer-replaceable components and the page on which you can find the instructions for installing or removing the component.

**Table 7-1** Customer-replaceable Components and Maintenance Procedures

Component	Procedure
Blade enclosure power supply	“Removing and Replacing a Blade Enclosure Power Supply” on page 95
Enclosure fans (blowers)	“Removing and Replacing Rear Fans (Blowers)” on page 98
Enclosure blower power supplies	“Removing a Fan Assembly Power Supply” on page 102

## Replacing ICE X System Components

While many of the blade enclosure components are not considered end-user replaceable, a select number of components can be removed and replaced. These include:

- Blade enclosure pair power supplies (front of system)
- Rear-mounted blade enclosure cooling fans (also called blowers)
- Cooling fan power supplies (rear of system)

### Removing and Replacing a Blade Enclosure Power Supply

To remove and replace power supplies in a blade enclosure, you do not need any tools.

Under most circumstances a single power supply in a blade enclosure pair can be replaced without shutting down the enclosure or the complete system. In the case of a fully configured (loaded) enclosure, this may not be possible.

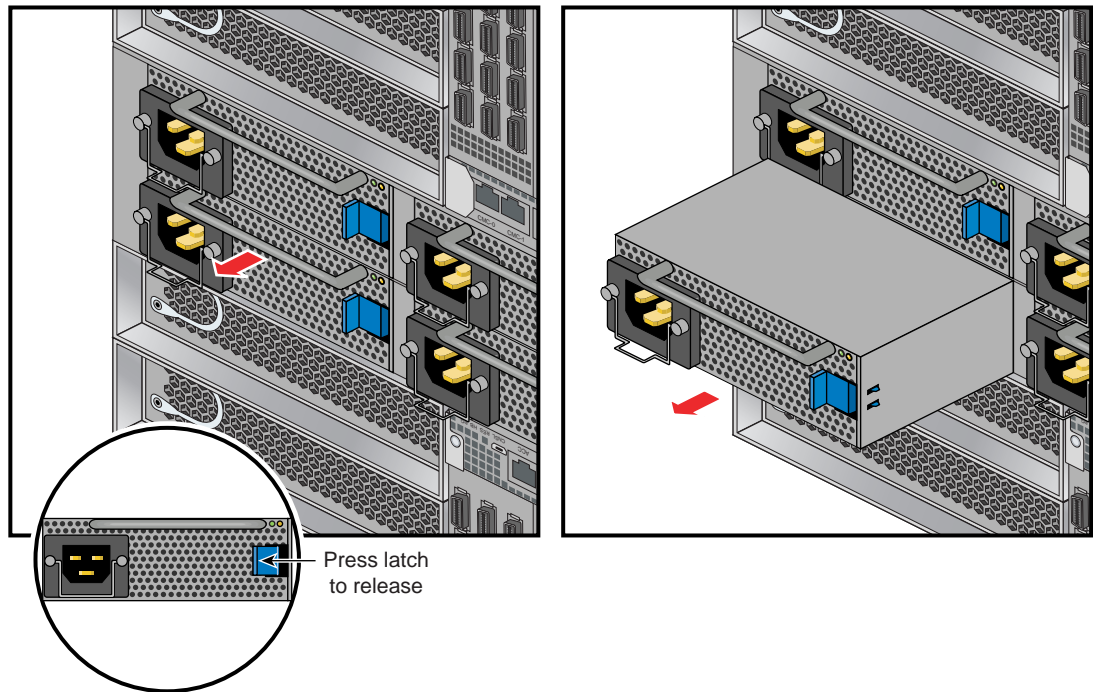
---

**Caution:** The body of the power supply may be hot; allow time for cooling and handle with care.

---

Use the following steps to replace a power supply in the blade enclosure box:

1. Open the front door of the rack and locate the power supply that needs replacement.
2. Disengage the power-cord retention clip and disconnect the power cord from the power supply that needs replacement.
3. Press the retention latch of the power supply toward the power connector to release the supply from the enclosure, see Figure 7-1 on page 96.
4. Using the power supply handle, pull the power supply straight out until it is partly out of the chassis. Use one hand to support the bottom of the supply as you fully extract it from the enclosure.



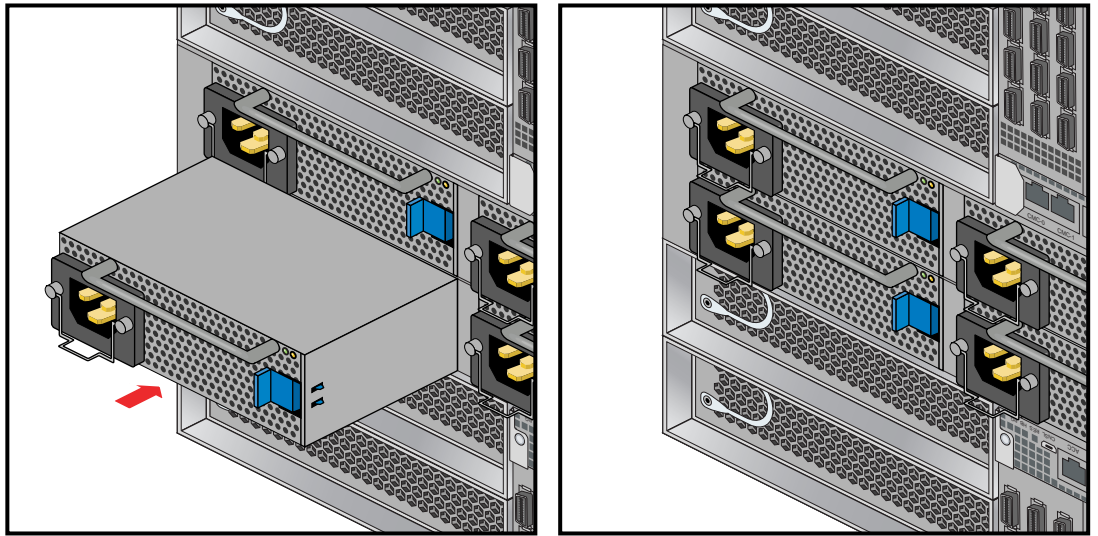
**Figure 7-1** Removing an Enclosure Power Supply

5. Align the rear of the replacement power supply with the enclosure opening.
6. Slide the power supply into the chassis until the retention latch engages.
7. Reconnect the power cord to the supply and engage the retention clip.

---

**Note:** When AC power to the rear fan assembly is disconnected prior to the replacement procedure, all the fans will come on and run at top speed when power is reapplied. The speeds will readjust when normal communication with the blade pair enclosure CMC is fully established.

---



**Figure 7-2** Replacing an Enclosure Power Supply

## Removing and Replacing Rear Fans (Blowers)

The blade enclosure cooling fan assembly (blower enclosure) is positioned back-to-back with the blade enclosure pair. You will need to access the rack from the back to remove and replace a fan. The enclosure's system controller issues a warning message when a fan is not running properly. This means the fan RPM level is not within tolerance. When a cooling fan fails, the following things happen:

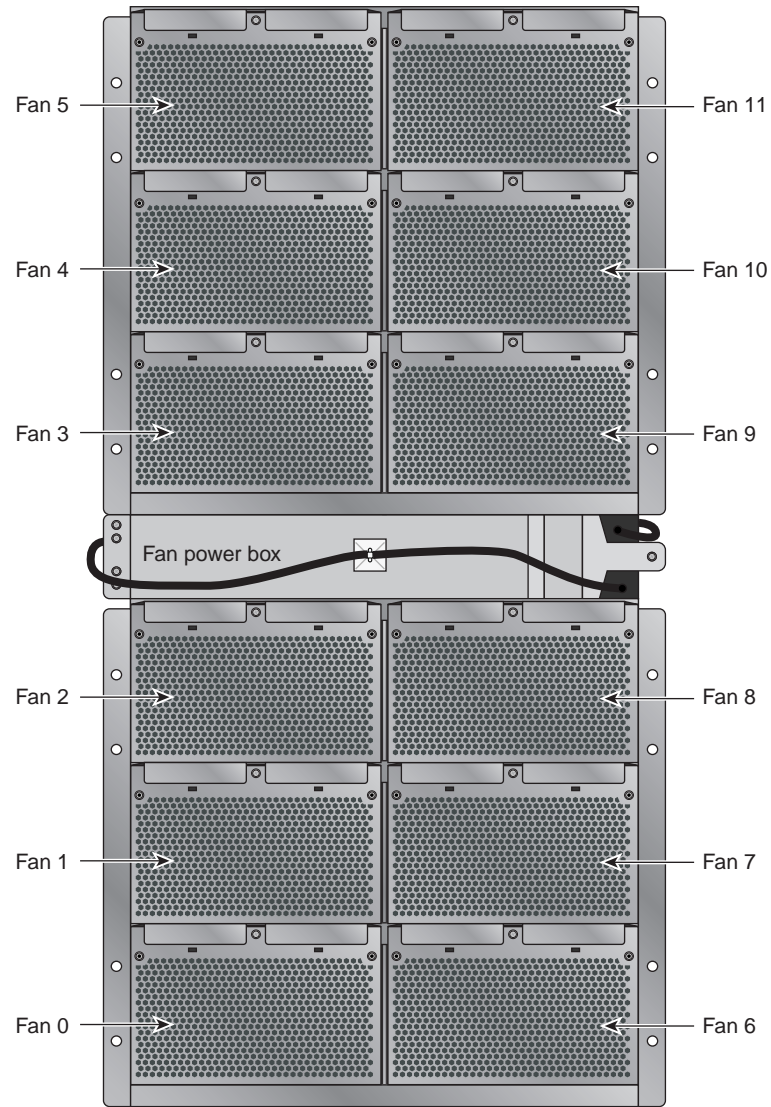
1. The system console will show a warning indicating the rack and enclosure position  

```
001c01 L2> Fan (number) warning limit reached @ 0 RPM
```
2. A line will be added to the L1 system controller's log file indicating the fan warning.

The chassis management controller (CMC) monitors the temperature within each enclosure. If the temperature increases due to a failed fan, the remaining fans will run at a higher RPM to compensate for the missing fan. The system will continue running until a scheduled maintenance occurs.

The fan numbers for the enclosure (as viewed from the rear) are shown in Figure 7-3 on page 99.

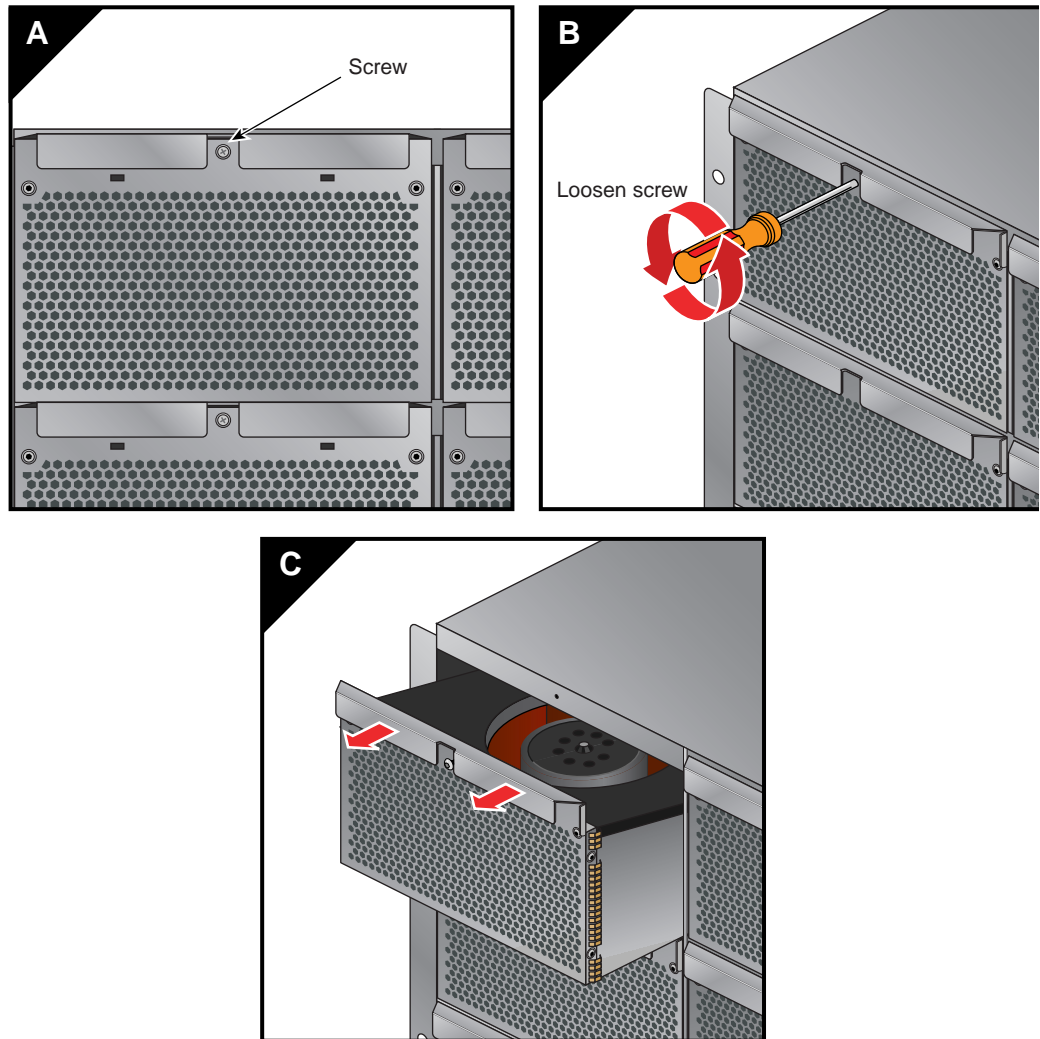
Note that under most circumstances a fan can be replaced while the system is operating. You will need a #1 Phillips-head screw driver to complete the procedure.



**Figure 7-3** Enclosure-Pair Rear Fan Assembly (Blowers)

Use the following steps and illustrations to replace an enclosure fan:

1. Using the #1 Phillips screwdriver, undo the (captive) screw (located in the middle of the blower assembly handle). The handle has a notch for the screw access, see Figure 7-4.
2. Grasp the blower assembly handle and pull the assembly straight out.



**Figure 7-4** Removing a Fan From the Rear Assembly

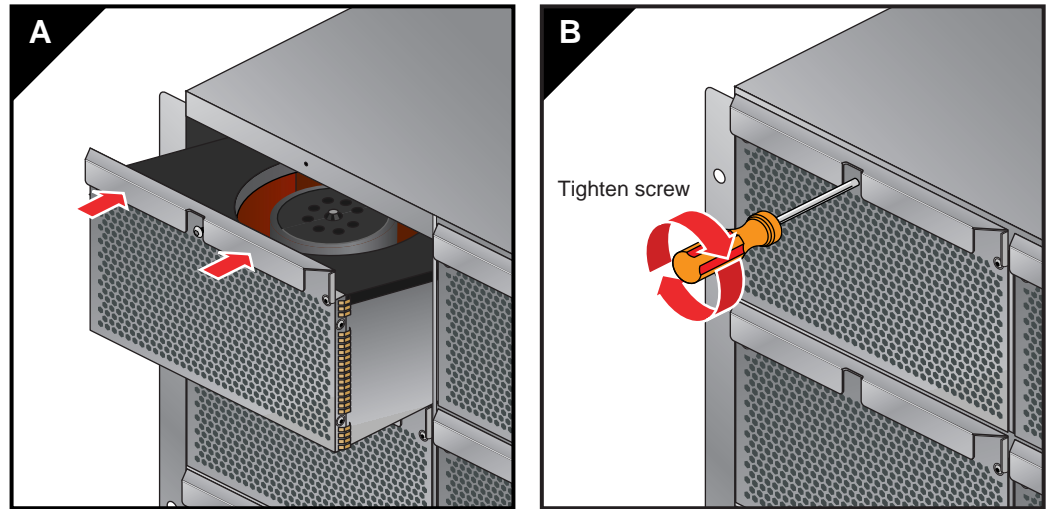


3. Slide a new blower assembly completely into the open slot, see Figure 7-5.
4. Tighten the blower assembly screw to secure the new fan.

---

**Note:** If you disconnected the AC power to the rear fan assembly prior to the replacement procedure, all the fans will come on and run at top speed when power is reapplied. The speeds will readjust when normal communication with the blade pair enclosure CMC is fully established.

---



**Figure 7-5** Replacing an Enclosure Fan

## Removing or Replacing a Fan Enclosure Power Supply

The 12-fan (blower) assembly that is mounted back-to-back with the blade enclosure pair to provide cooling uses two power supplies to provide voltage to the blowers. Removal and replacement of a blower assembly power supply requires the use of a T-25 torx driver.

## Removing a Fan Assembly Power Supply

Use the following information and illustrations to remove a power supply from the fan (blower) assembly enclosure:

1. Open the rear door of the rack and locate the fan power supply access door. The access door will be located between the upper and lower blower sets.
2. Use a T-25 torx driver to undo the screw that holds the supply access door (on the right) to the fan enclosure chassis.

---

**Note:** You may have to adjust or move power or other cables to enable the access door to swing outward.

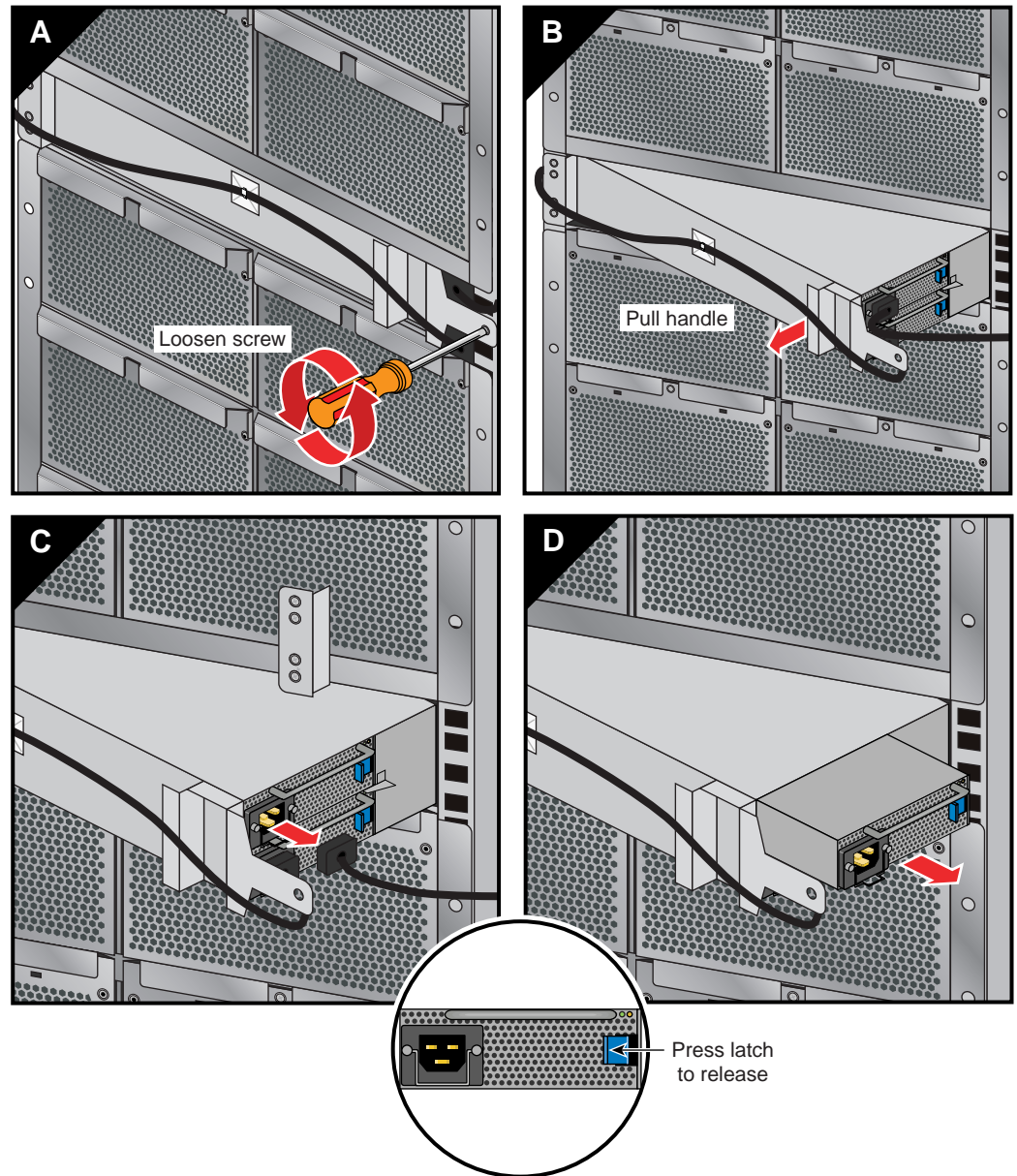
---

3. Move the fan power box outward so that the front of the supply is fully accessible.
4. Disconnect the power cord from the supply that is to be replaced. If the supply has been active, allow several minutes for it to cool down.
5. Push the power supply retention tab towards the center of the supply to release it from the fan power box.
6. Pull the supply out of the fan power box while supporting it from beneath.

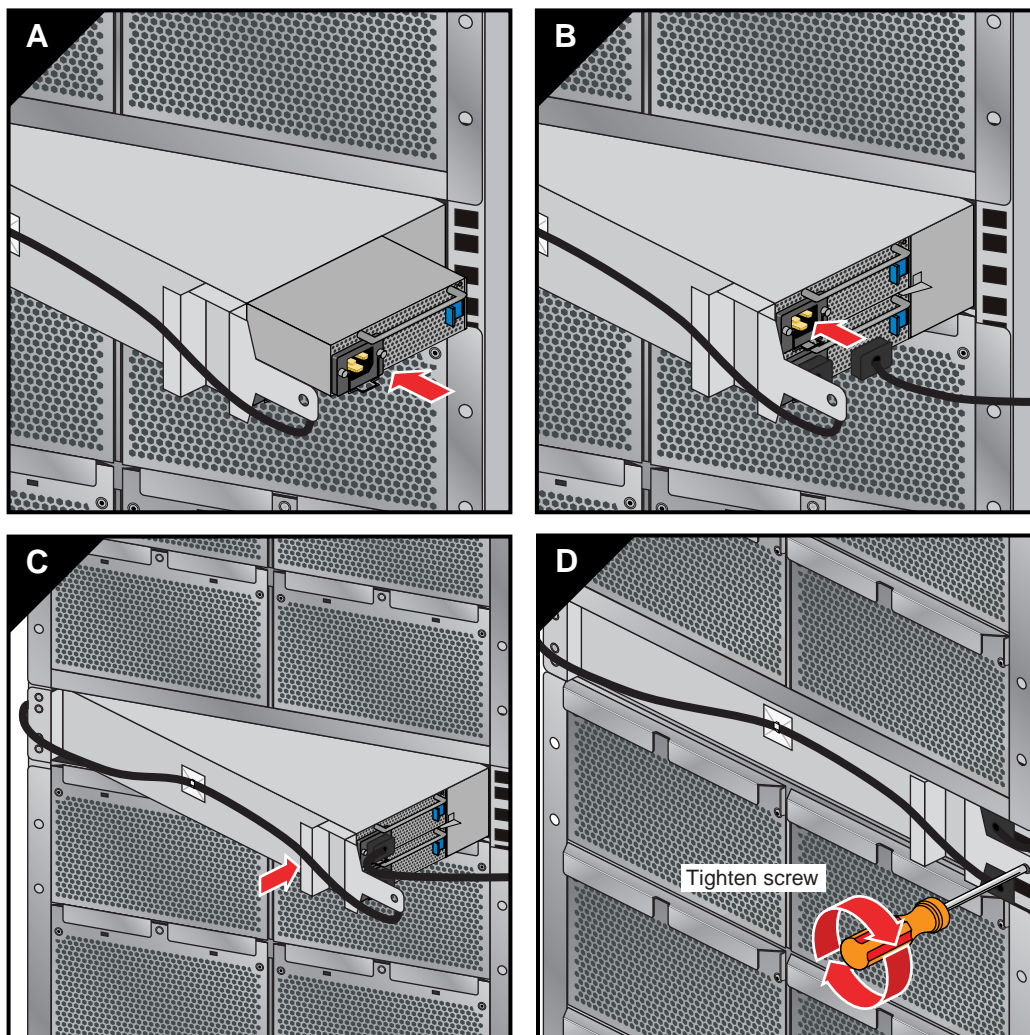
## Replacing a Fan Power Supply

Use the following steps to replace a fan power supply:

1. Align the rear of the power supply with the empty fan power box.
2. Slide the unit all the way in until the supply's retention tab snaps into place.
3. Reconnect the power cable to the supply and secure the cable retention clip.
4. Move the fan power box inward until the access door is again flush with the rear of the rack.
5. Use the T-25 torx driver to secure the power box door screw to the rear of the fan enclosure.



**Figure 7-6** Removing a Power Supply From the Fan Power Box



**Figure 7-7** Replacing a Power Supply in the Fan Power Box

## Overview of PCI Express Operation

This section provides a brief overview of the PCI Express (PCIe) technology that will be available as an option with your system’s stand-alone administration, RLC and service nodes. PCI Express has both compatibility and differences with older PCI/PCI-X technology. Check with your SGI sales or service representative for more detail on PCI Express board options available with your SGI ICE X system.

PCI Express is compatible with PCI/PCI-X in the following ways:

- Compatible software layers
- Compatible device driver models
- Same basic board form factors
- PCIe controlled devices appear the same as PCI/PCI-X devices to most software

PCI Express technology is different from PCI/PCI-X in the following ways:

- PCI Express uses a point-to-point serial interface vs. a shared parallel bus interface used in older PCI/PCI-X technology
- PCIe hardware connectors are not compatible with PCI/PCI-X (see Figure 7-8)
- Potential sustained throughput of x16 PCI Express is approximately four times that of the fastest PCI-X throughputs



**Figure 7-8** Comparison of PCI/PCI-X Connector with PCI Express Connectors

PCI Express technology uses two pairs of wires for each transmit and receive connection (4 wires total). These four wires are generally referred to as a lane or x1 connection (also called “by 1”). SGI administrative node PCIe technology uses x16, x8 and x4 connector technology in the PCI Express card slots. The PCIe technology will support PCIe boards that use connectors up to x16 in size. Table 7-2 shows this concept.

**Table 7-2** SGI Administrative Server PCIe Support Levels

---

**SGI Admin PCIe Connectors**

---

x4 PCIe cards	Supported
x8 PCIe cards	Supported
x16 PCIe cards	Two supported
x32 PCIe cards	Not supported

---

If you need more specific information on installing PCIe cards in an administrative, leader, or other standalone server, see the user documentation for that particular unit. After installing or removing a new PCIe card, do the following:

1. Return the server to service.
2. Boot your operating system software. (See your software operation guide if you need instructions to boot your operating system.)
3. Run the `lspci` PCI hardware inventory command to verify the installation. This command lists PCI hardware that the operating system discovered during the boot operation.

## Technical Specifications and Pinouts

This appendix contains technical specification information about your system, as follows:

- “System-level Specifications” on page 107
- “D-Rack Physical and Power Specifications” on page 108
- “D-Rack System Environmental Specifications” on page 109
- “ICE X M-Rack Technical Specifications” on page 110
- “Ethernet Port Specification” on page 112

### System-level Specifications

Table A-1 summarizes the SGI ICE X series configuration ranges.

**Table A-1** SGI ICE X Series Configuration Ranges

Category	Minimum	Maximum
Blades per enclosure pair	2 blades <sup>a</sup>	36 blades
Compute nodes per blade	1 compute node	two compute nodes
Blade enclosure pair	1 per rack	2 per rack
Blade slots per rack	36 slots (one enclosure pair)	72 blade slots (2 enclosure pairs)
Compute blade DIMM capacity	8 DIMMs per blade	16 DIMMs per blade
Chassis management blades	2 per enclosure pair	4 per enclosure pair
InfiniBand switch blades	2 per enclosure pair	4 per enclosure pair

a. Compute blades support one or two stuffed sockets each.

## D-Rack Physical and Power Specifications

Table A-2 shows the physical specifications of the SGI ICE X system based on the D-Rack.

**Table A-2** ICE X System D-Rack Physical Specifications

<b>System Features (single rack)</b>	<b>Specification</b>
Height	79.5 in. (201.9 cm) 82.25 in (208.9 cm) with 2U top
Width	24.0 in. (61 cm) - air and water cooled
Depth	49.5 in. (125.7 cm) - air cooled; 50.75 in. (128.9 cm) - water cooled
Weight (full) maximum	~2,500 lbs. (1,136 kg) approximate (water cooled)
Shipping weight maximum	~2,970 lbs. (1,350 kg) approximate maximum
Shipping height maximum	88.75 in. (225.4 cm)
Shipping width	44 in. (111.8 cm)
Shipping depth	62.75 in. (159.4 cm)
Voltage range	North America/International
Nominal	200-240 VAC /230 VAC
Tolerance range	180-264 VAC /180-254 VAC
Frequency	North America/International
Nominal	60 Hz /50 Hz
Tolerance range	47-63 Hz /47-63 Hz
Phase required	3-phase (optional single-phase available in I/O rack)
Power requirements (max)	34.58 kVA (33.89 kW)
Hold time	16 ms
Power cable	12 ft. (3.66 m) pluggable cords
Access requirements	
Front	48 in. (121.9 cm)
Rear	48 in. (121.9 cm)
Side	None



## D-Rack System Environmental Specifications

Table A-3 lists the standard environmental specifications of the D-Rack based system.

**Table A-3** Environmental Specifications (Single D-Rack)

Feature	Specification
Temperature tolerance (operating)	+5 °C (41 °F) to +35 °C (95 °F) (up to 1500 m / 5000 ft.) +5 °C (41 °F) to +30 °C (86 °F) (1500 m to 3000 m /5000 ft. to 10,000 ft.)
Temperature tolerance (non-operating)	-40 °C (-40 °F) to +60 °C (140 °F)
Relative humidity	10% to 80% operating (no condensation) 8% to 95% non-operating (no condensation)
Rack cooling requirements	Ambient air or optional water cooling
Heat dissipation to air Air-cooled ICE X (rack)	Approximately 115.63 kBTU/hr maximum (based on 33.89 kW - 100% dissipation to air)
Heat dissipation to air Water-cooled ICE X (rack)	Approximately 5.76 kBTU/hr maximum (based on 33.89 kW - 5% dissipation to air)
Heat dissipation to water	Approximately 109.85 kBTU/hr maximum (based on 33.89 kW - 95% dissipation to water)
Air flow: intake (front), exhaust (rear)	Approximately 3,200 CFM (typical air cooled) (2400 CFM - water cooled) Approximately 4,800 CFM (maximum air cooled)
Maximum altitude	10,000 ft. (3,049 m) operating 40,000 ft. (12,195 m) non-operating
Acoustical noise level (sound power)	Approximately 72 dBA (at front of system) - 82 dBA (at system rear)

## ICE X M-Rack Technical Specifications

Table A-4 provides information on the individual physical specifications of the compute racks used in an M-Cell assembly. Table A-5 on page 111 lists the environmental specifications for an individual M-Rack.

**Table A-4** SGI ICE X M-Rack Physical Specifications

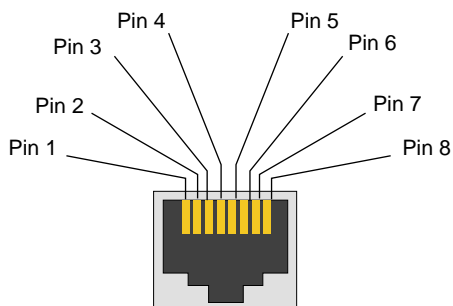
Characteristic	Specification
Height	93 in. (236.2 cm)
Width	33 in. (83.8 cm)
Depth	48.4 in. (121.9 cm)
Weight (full)	~2,426 lbs. (1,103 kg) approximate
Shipping weight (max)	~2,850 lbs. (1,295 kg) approximate
Voltage range	North America/International
Nominal	200-240 VAC /230 VAC
Tolerance range	180-264 VAC /180-254 VAC
Frequency	North America/International
Nominal	60 Hz / 50 Hz
Tolerance range	47-63 Hz / 47-63
Phase required	single-phase or optional 3-phase
Power requirements (max)	76 kVA (77.47 kW)
Hold time	20 ms
Power cable	10 ft. (3.0 m) pluggable cords
Power receptacle	North America/Japan   International
Single power option	Maximum 8, 30-Amp   Maximum 8, 32-Amp NEMA L6-R30 _____   NEMA IEC60309
Three-phase option	(2) 60-Amp 4-wire ___   (2) 32-Amp 5-wire IEC60309 _____   IEC60309

**Table A-5** Environmental Specifications (Single M-Rack)

<b>Feature</b>	<b>Specification</b>
Temperature tolerance (operating with 95-Watt processors)	+5 °C (41 °F) to +35 °C (95 °F) (up to 1500 m / 5000 ft.) +5 °C (41 °F) to +30 °C (86 °F) (1500 m to 3000 m /5000 ft. to 10,000 ft.)
Temperature tolerance (operating with 135-Watt processors)	+5 °C (41 °F) to +28 °C (82.4 °F) (up to 1500 m / 5000 ft.) +5 °C (41 °F) to +23 °C (73.4 °F) (1500 m to 3000 m /5000 ft. to 10,000 ft.)
Temperature tolerance (non-operating)	-40 °C (-40 °F) to +60 °C (140 °F)
Relative humidity	10% to 95% operating (no condensation) 10% to 95% non-operating (no condensation)
Rack cooling requirements	Chilled water cooling
Heat rejection (dissipation) to air	Zero BTUs
Heat rejection (dissipation) to water	Approximately 246 kBTU/hr maximum (21 tons) (based on 100% dissipation to water)
Maximum altitude	10,000 ft. (3,049 m) operating 40,000 ft. (12,195 m) non-operating
M-Cell rack acoustical noise level (sound power)	Approximately 80 dBA (at front of system)
Cooling distribution rack (CDU) acoustical noise level (sound power)	Approximately 65 dBA (at front of unit)

## Ethernet Port Specification

The system auto-selects the Ethernet port speed and type (duplex vs. half-duplex) when the server is booted, based on what it is connected to. Figure A-1 shows the Ethernet port.



**Figure A-1** Ethernet Port

Table A-6 shows the cable pinout assignments for the Ethernet port operating in 10/100-Base-T mode and also operating in 1000Base-T mode.

**Table A-6** Ethernet Pinouts

Ethernet 10/100Base-T Pinouts		Gigabit Ethernet Pinouts	
Pins	Assignment	Pins	Assignment
1	Transmit +	1	Transmit/Receive 0 +
2	Transmit –	2	Transmit/Receive 0 –
3	Receive +	3	Transmit/Receive 1 +
4	NU	4	Transmit/Receive 2 +
5	NU	5	Transmit/Receive 2 –
6	Receive –	6	Transmit/Receive 1 –
7	NU	7	Transmit/Receive 3 +
8	NU	8	Transmit/Receive 3 –

NU = Not used

## Safety Information and Regulatory Specifications

This appendix provides safety information and regulatory specifications for your system in the following sections:

- “Safety Information” on page 113
- “Regulatory Specifications” on page 115

### Safety Information

Read and follow these instructions carefully:

1. Follow all warnings and instructions marked on the product and noted in the documentation included with this product.
2. Unplug this product before cleaning. Do not use liquid cleaners or aerosol cleaners. Use a damp cloth for cleaning.
3. Do not use this product near water.
4. Do not place this product or components of this product on an unstable cart, stand, or table. The product may fall, causing serious damage to the product.
5. Slots and openings in the system are provided for ventilation. To ensure reliable operation of the product and to protect it from overheating, these openings must not be blocked or covered. This product should never be placed near or over a radiator or heat register, or in a built-in installation, unless proper ventilation is provided.
6. This product should be operated from the type of power indicated on the marking label. If you are not sure of the type of power available, consult your dealer or local power company.
7. Do not allow anything to rest on the power cord. Do not locate this product where people will walk on the cord.
8. Never push objects of any kind into this product through cabinet slots as they may touch dangerous voltage points or short out parts that could result in a fire or electric shock. Never spill liquid of any kind on the product.

9. Do not attempt to service this product yourself except as noted in this guide. Opening or removing covers of node and switch internal components may expose you to dangerous voltage points or other risks. Refer all servicing to qualified service personnel.
10. Unplug this product from the wall outlet and refer servicing to qualified service personnel under the following conditions:
  - When the power cord or plug is damaged or frayed.
  - If liquid has been spilled into the product.
  - If the product has been exposed to rain or water.
  - If the product does not operate normally when the operating instructions are followed. Adjust only those controls that are covered by the operating instructions since improper adjustment of other controls may result in damage and will often require extensive work by a qualified technician to restore the product to normal condition.
  - If the product has been dropped or the cabinet has been damaged.
  - If the product exhibits a distinct change in performance, indicating a need for service.
11. If a lithium battery is a soldered part, only qualified SGI service personnel should replace this lithium battery. For other types, replace it only with the same type or an equivalent type recommended by the battery manufacturer, or the battery could explode. Discard used batteries according to the manufacturer's instructions.
12. Use only the proper type of power supply cord set (provided with the system) for this unit.
13. Do not attempt to move the system alone. Moving a rack requires at least two people.
14. Keep all system cables neatly organized in the cable management system. Loose cables are a tripping hazard that cause injury or damage the system.

## Regulatory Specifications

The following topics are covered in this section:

- “CMN Number” on page 115
- “CE Notice and Manufacturer’s Declaration of Conformity” on page 115
- “Electromagnetic Emissions” on page 115
- “Shielded Cables” on page 118
- “Electrostatic Discharge and Laser Compliance” on page 118
- “Lithium Battery Statements” on page 119

This SGI system conforms to several national and international specifications and European Directives listed on the “Manufacturer’s Declaration of Conformity.” The CE mark insignia displayed on each device is an indication of conformity to the European requirements.



---

**Caution:** This product has several governmental and third-party approvals, licenses, and permits. Do not modify this product in any way that is not expressly approved by SGI. If you do, you may lose these approvals and your governmental agency authority to operate this device.

---

### CMN Number

The model number, or CMN number, for the system is on the system label, which is mounted inside the rear door on the base of the rack.

### CE Notice and Manufacturer’s Declaration of Conformity

The “CE” symbol indicates compliance of the device to directives of the European Community. A “Declaration of Conformity” in accordance with the standards has been made and is available from SGI upon request.

### Electromagnetic Emissions

This section provides the contents of electromagnetic emissions notices from various countries.

### FCC Notice (USA Only)

This equipment complies with Part 15 of the FCC Rules. Operation is subject to the following two conditions:

- This device may not cause harmful interference.
- This device must accept any interference received, including interference that may cause undesired operation.

---

**Note:** This equipment has been tested and found to comply with the limits for a Class A digital device, pursuant to Part 15 of the FCC Rules. These limits are designed to provide reasonable protection against harmful interference when the equipment is operated in a commercial environment. This equipment generates, uses, and can radiate radio frequency energy and, if not installed and used in accordance with the instruction manual, may cause harmful interference to radio communications. Operation of this equipment in a residential area is likely to cause harmful interference, in which case you will be required to correct the interference at your own expense.

---

If this equipment does cause harmful interference to radio or television reception, which can be determined by turning the equipment off and on, you are encouraged to try to correct the interference by using one or more of the following methods:

- Reorient or relocate the receiving antenna.
- Increase the separation between the equipment and receiver.
- Connect the equipment to an outlet on a circuit different from that to which the receiver is connected.

Consult the dealer or an experienced radio/TV technician for help.



---

**Caution:** Changes or modifications to the equipment not expressly approved by the party responsible for compliance could void your authority to operate the equipment.

---

### Industry Canada Notice (Canada Only)

This Class A digital apparatus meets all requirements of the Canadian Interference-Causing Equipment Regulations.



Cet appareil numérique n'émet pas de perturbations radioélectriques dépassant les normes applicables aux appareils numériques de Classe A prescrites dans le Règlement sur les interférences radioélectriques établi par le Ministère des Communications du Canada.

### VCCI Notice (Japan Only)

この装置は、情報処理装置等電波障害自主規制協議会 (VCCI) の基準に基づくクラス A 情報技術装置です。この装置を家庭環境で使用すると電波妨害を引き起こすことがあります。この場合には使用者が適切な対策を講ずるよう要求されることがあります。

**Figure B-1** VCCI Notice (Japan Only)

### Chinese Class A Regulatory Notice

警告使用者：

這是甲類的資訊產品，在居住的環境中使用時，可能會造成射頻干擾，在這種情況下，使用者會被要求採取某些適當的對策。

**Figure B-2** Chinese Class A Regulatory Notice

### Korean Class A Regulatory Notice

이 기기는 업무용으로 전자파적합등록을 한 기기이오니 판매자 또는 사용자는 이 점을 주의하시기 바라며 만약 잘못 판매 또는 구입하였을 때에는 가정용으로 교환하시기 바랍니다.

**Figure B-3** Korean Class A Regulatory Notice

## Shielded Cables

This SGI system is FCC-compliant under test conditions that include the use of shielded cables between the system and its peripherals. Your system and any peripherals you purchase from SGI have shielded cables. Shielded cables reduce the possibility of interference with radio, television, and other devices. If you use any cables that are not from SGI, ensure that they are shielded. Telephone cables do not need to be shielded.

Optional monitor cables supplied with your system use additional filtering molded into the cable jacket to reduce radio frequency interference. Always use the cable supplied with your system. If your monitor cable becomes damaged, obtain a replacement cable from SGI.

## Electrostatic Discharge and Laser Compliance

SGI designs and tests its products to be immune to the effects of electrostatic discharge (ESD). ESD is a source of electromagnetic interference and can cause problems ranging from data errors and lockups to permanent component damage.

It is important that you keep all the covers and doors, including the plastics, in place while you are operating the system. The shielded cables that came with the unit and its peripherals should be installed correctly, with all thumbscrews fastened securely.

An ESD wrist strap may be included with some products, such as memory or PCI upgrades. The wrist strap is used during the installation of these upgrades to prevent the flow of static electricity, and it should protect your system from ESD damage.

Any optional DVD drive used with this computer is a Class 1 laser product. The DVD drive's classification label is located on the drive.



---

**Warning:** Avoid exposure to the invisible laser radiation beam when the device is open.

---



---

**Warning:** Attention: Radiation du faisceau laser invisible en cas d'ouverture. Eviter toute exposition aux rayons.

---



---

**Warning:** Vorsicht: Unsichtbare Laserstrahlung, Wenn Abdeckung geöffnet, nicht dem Strahl aussetzen.

---



**Warning:** Advertencia: Radiación láser invisible al ser abierto. Evite exponerse a los rayos.



**Warning:** Advarsel: Laserstråling vedåbning se ikke ind i strålen



**Warning:** Varo! Lavattaessa Olet Alttina Lasersäteilylle



**Warning:** Varning: Laserstråling når denna del är öppnad åla tuijota såteeseenstirra ej in i strålen.



**Warning:** Varning: Laserstråling nar denna del är öppnadstirra ej in i strålen.



**Warning:** Advarsel: Laserstråling nar deksel åpnesstirr ikke inn i strålen.

## Lithium Battery Statements



**Warning:** If a lithium battery is a soldered part, only qualified SGI service personnel should replace this lithium battery. For other types, replace the battery only with the same type or an equivalent type recommended by the battery manufacturer, or the battery could explode. Discard used batteries according to the manufacturer's instructions.



**Warning:** Advarsel!: Lithiumbatteri - Eksplosionsfare ved fejlagtig håndtering. Udskiftning må kun ske med batteri af samme fabrikat og type. Léver det brugte batteri tilbage til leverandøren.



---

**Warning:** Advarsel: Eksplosjonsfare ved feilaktig skifte av batteri. Benytt samme batteritype eller en tilsvarende type anbefalt av apparatfabrikanten. Brukte batterier kasseres i henhold til fabrikantens instruksjoner.

---



---

**Warning:** Varning: Explosionsfara vid felaktigt batteribyte. Använd samma batterityp eller en ekvivalent typ som rekommenderas av apparattillverkaren. Kassera använt batteri enligt fabrikantens instruktion.

---



---

**Warning:** Varoitus: Päristö voi räjähtää, jos se on virheellisesti asennettu. Vaihda paristo ainoastaan laitevalmistajan suosittelemaan tyyppiin. Hävitä käytetty paristo valmistajan ohjeiden mukaisesti.

---



---

**Warning:** Vorsicht!: Explosionsgefahr bei unsachgemäßen Austausch der Batterie. Ersatz nur durch denselben oder einen vom Hersteller empfohlenem ähnlichen Typ. Entsorgung gebrauchter Batterien nach Angaben des Herstellers.

---

---

# Index

## A

- All ICE X servers
  - monitoring locations, 11
- An ICE X single-rack server
  - illustration, 22

## B

- battery statements, 82
- block diagram
  - system, 29

## C

- chassis management controller
  - front panel display, 17
- CMC controller
  - functions, 17
- CMN number, 77
- Compute/Memory Blade LEDs, 64
- customer service, xvii

## D

- documentation
  - available via the World Wide Web, xvi
  - conventions, xvii

## E

- environmental specifications, 69

## F

- front panel display
  - L1 controller, 17

## L

- laser compliance statements, 81
- LED Status Indicators, 63
- LEDs on the front of the IRUs, 63
- lithium battery warning statements, 2, 82

## M

- Message Passing Interface, 19
- monitoring
  - server, 11

## N

- numbering
  - Enclosures in a rack, 42
  - racks, 43

## O

optional water chilled rack cooling, 21

## P

physical specifications

    System Physical Specifications, 68

pinouts

    Ethernet connector, 71

Power Supply LEDs, 63

powering on

    preparation, 5

product support, xvii

## R

RAS features, 40

## S

server

    monitoring locations, 11  
    system architecture, 23, 25  
    system block diagram, 29  
    system components

    SGI ICE X front, 42

    list of, 41

    system features, 32

    system overview, 19

## T

tall rack

    features, 46

technical specifications

    system level, 67

technical support, xvii

three-phase PDU, 21

troubleshooting

    problems and recommended actions, 62

Troubleshooting Chart, 62